

# Illustrated Parts List

## Model Series

### 137200 to 137299

TYPE NUMBERS  
0116, 0117, 0122,  
0123, 0128, 0134,  
0714, 0717, 0718,  
1114, 1116, 1117,  
1122, 1123, 1124,  
1125, 1126, 1127,  
1128, 1134, 1231,  
1313.

**TO FIND**  
**THE CORRECT NUMBER OF THE PART YOU NEED:**  
**FOLLOW THE INSTRUCTIONS BELOW**

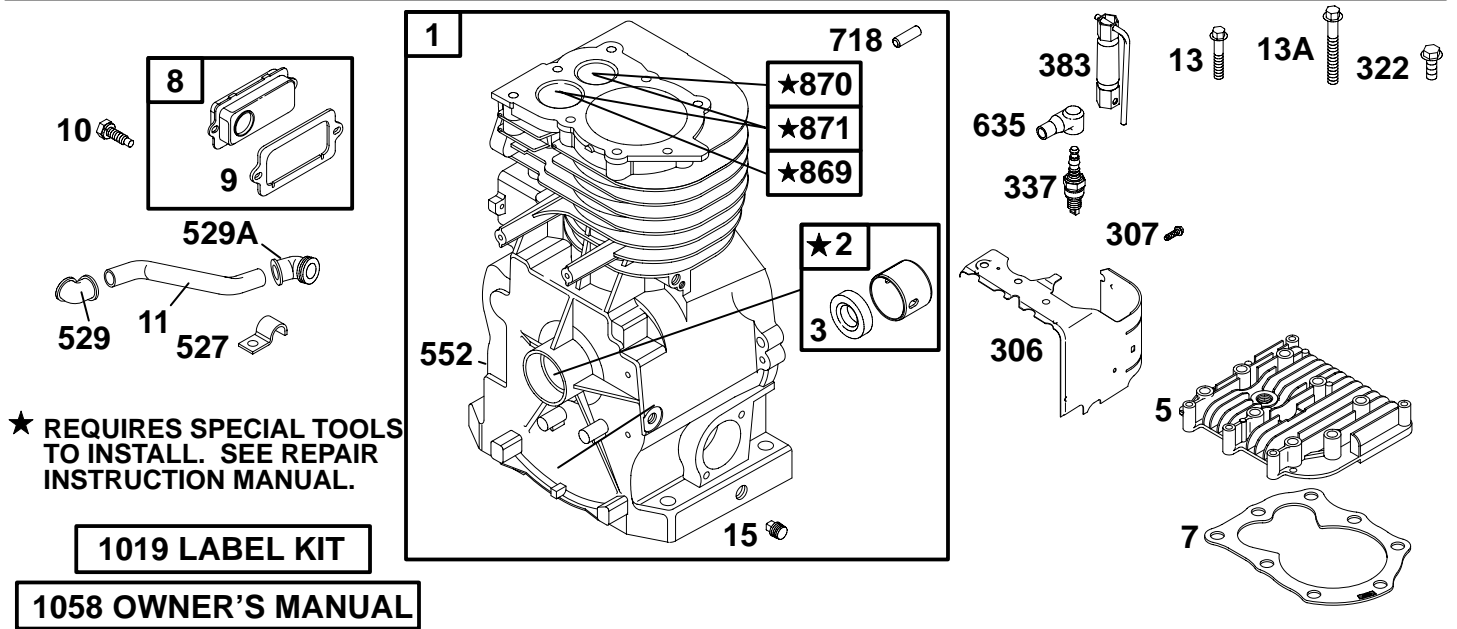
- A. Refer to Engine Model, Type and Code Number that is stamped on the blower housing of engine. Engine type numbers such as 0123 01 are listed only as 0123 in most instances. The two digits (01 or 02, etc.) to the right of the space may be required for more accurate parts identification in some instances. Select the Illustrated Parts List covering the correct Model Series and Type Number.
- B. Refer to the Illustrations and compare the original part with Illustration. The number next to the illustration is the Reference Number. Assemblies include all parts shown in frames. All parts shown in assembly frames having individual reference numbers can be purchased separately.
- C. After the Reference Number has been identified, refer to the Numerical text, where Reference and Primary Part Number are listed. **THE PRIMARY PART IS USED ON ALL TYPE NUMBERS EXCEPT THOSE TYPE NUMBERS UNDER "NOTE."**
- D. If a "Note" appears below the Primary Part Number, it means that this part differs from the Primary Part for certain types. If your Type number is listed under "Note," order the part referred to at the "Note."
- E. If your Engine Type Number does not appear after any part number listed under "Note," use the Primary Part Number.
- F. For Engine Type Numbers not covered by this book, check other Parts Lists having the same engine model or contact your source of supply.

PRINTED IN U.S.A.



COPYRIGHT by BRIGGS & STRATTON CORPORATION  
All rights reserved. No part of this material may be reproduced or transmitted, in any form or by any means, electronic or mechanical, including photocopying, recording or by any information storage and retrieval system, without permission in writing from Briggs & Stratton Corporation.

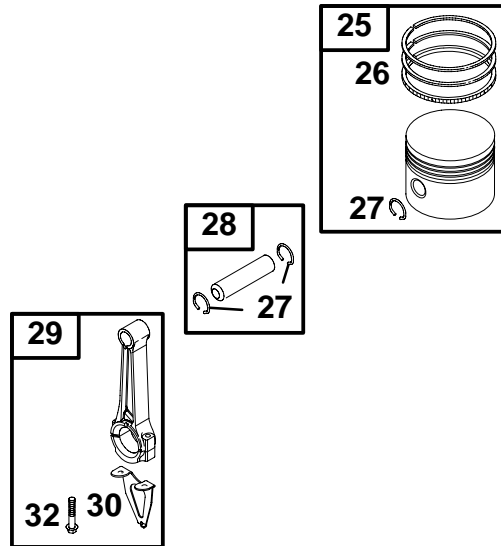
# 137200 to 137299



REF. NO.	PART NO.	DESCRIPTION	REF. NO.	PART NO.	DESCRIPTION	REF. NO.	PART NO.	DESCRIPTION
1	497144	Cylinder Assembly	15	691686	Plug—Oil Drain	635	66538	Boot—Spark Plug
2	399269	Kit—Bushing/Seal	306	694514	Shield—Cylinder	718	690959	Pin—Locating
3	★299819	Seal—Oil (Magneto Side)	307	691660	Screw (Cylinder Shield)	869	691705	Seat—Valve (Intake)
5	691716	Head—Cylinder	322	691129	Screw (Cylinder Head Cover)	870	691701	Seat—Valve (Exhaust)
7	★∅272157	Gasket—Cylinder Head	337	802592	Plug—Spark	871	262001	Bushing—Valve Guide (Exhaust Valve)
8	495774	Breather Assembly	383	89838	Wrench—Spark Plug	————— <b>Note</b> —————		
9	★∅27549	Gasket—Breather	527	691741	Clamp—Tube	1019	491100	Kit—Label
10	691666	Screw (Breather Assembly)	529	692189	Grommet (90 Degree)	1058	274784	Owner's Manual
11	231550	Tube—Breather	529A	692187	Grommet (120 Degree)			63709 Bushing—Valve Guide (Intake Valve)
13	691640	Screw (Cylinder Head)	552	690508	Bushing—Governor Crank			
13A	691659	Screw (Cylinder Head)						

★ Included in Engine Gasket Set—Ref. 358.  
● Included in Carburetor Overhaul Kit—Ref. 121.

∅ Included in Valve Gasket Set—Ref. 1095.

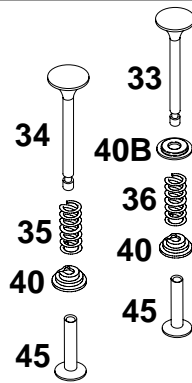


REF. NO.	PART NO.	DESCRIPTION	REF. NO.	PART NO.	DESCRIPTION	REF. NO.	PART NO.	DESCRIPTION		
25	692983	Piston Assembly (Standard) (Used After Code Date 99011100). <b>Note</b> 298904 Piston Assembly (Standard) (Used Before Code Date 99011200). 498669 Piston Assembly (.010" Oversize) (Used After Code Date 99011100). 298905 Piston Assembly (.010" Oversize) (Used Before Code Date 99011200). 498670 Piston Assembly (.020" Oversize) (Used After Code Date 99011100). 298906 Piston Assembly (.020" Oversize) (Used Before Code Date 99011200).			498671 Piston Assembly (.030" Oversize) (Used After Code Date 99011100). 298907 Piston Assembly (.030" Oversize) (Used Before Code Date 99011200).			298984 Ring Set (.020" Oversize) (Used Before Code Date 99011200).		
					26	498680 Ring Set (Standard) (Used After Code Date 99011100). <b>Note</b> 298982 Ring Set (Standard) (Used Before Code Date 99011200).			498683 Ring Set (.030" Oversize) (Used After Code Date 99011100). 298985 Ring Set (.030" Oversize) (Used Before Code Date 99011200).	
							27	691588	Lock-Piston Pin	
							28	298909	Pin-Piston (Standard) <b>Note</b> 298908 Pin-Piston (.005" Oversize)	
							29	299430	Rod-Connecting (Standard) <b>Note</b> 390459 Rod-Connecting (.020" Undersize)	
						30	691759	Dipper-Connecting Rod		
						32	691664	Screw (Connecting Rod)		

★ Included in Engine Gasket Set-Ref. 358.  
● Included in Carburetor Overhaul Kit-Ref. 121.

∅ Included in Valve Gasket Set-Ref. 1095.

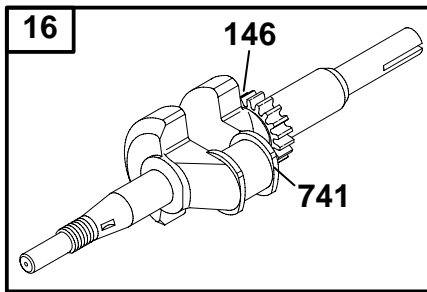
# 137200 to 137299



REF. NO.	PART NO.	DESCRIPTION	REF. NO.	PART NO.	DESCRIPTION	REF. NO.	PART NO.	DESCRIPTION
33	211119	Valve-Exhaust	35	690520	Spring-Valve (Intake)	40	692194	Retainer-Valve (Intake/Exhaust)
34	261044	Valve-Intake	36	692180	Spring-Valve (Exhaust)	40B	225257	Retainer-Valve (Exhaust)
						45	690509	Tappet-Valve

★ Included in Engine Gasket Set-Ref. 358.  
 ● Included in Carburetor Overhaul Kit-Ref. 121.

∅ Included in Valve Gasket Set-Ref. 1095.



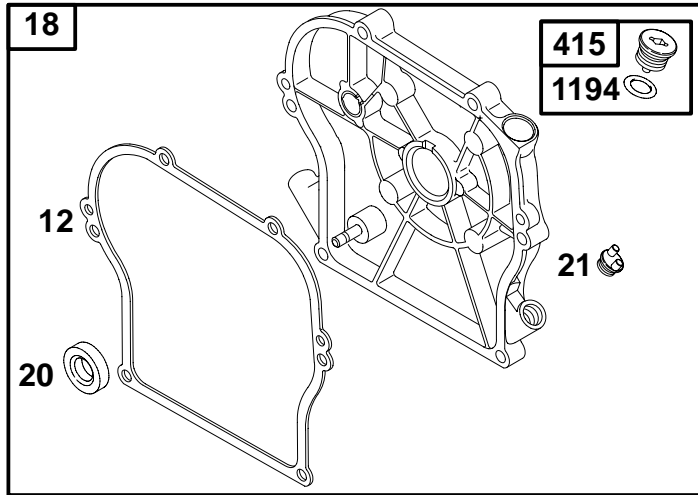
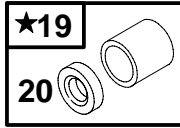
REF. NO.	PART NO.	DESCRIPTION	REF. NO.	PART NO.	DESCRIPTION	REF. NO.	PART NO.	DESCRIPTION
16	492088	Crankshaft <b>Note</b> <b>397103</b> Crankshaft Used on Type No(s). 0134, 1134, 1231. <b>495649</b> Crankshaft Used on Type No(s). 0718. <b>499764</b> Crankshaft Used on Type No(s). 1313.	146	690979	Key-Timing (Used With Timing Gear 262992)	741	691847	Gear-Timing (Uses Woodruff Key)

★ Included in Engine Gasket Set-Ref. 358.  
 ● Included in Carburetor Overhaul Kit-Ref. 121.

∅ Included in Valve Gasket Set-Ref. 1095.

# 137200 to 137299

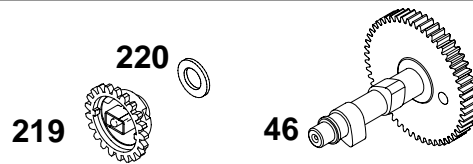
★ **REQUIRES SPECIAL TOOLS TO INSTALL. SEE REPAIR INSTRUCTION MANUAL.**



REF. NO.	PART NO.	DESCRIPTION	REF. NO.	PART NO.	DESCRIPTION	REF. NO.	PART NO.	DESCRIPTION
12	★692213	Gasket-Crankcase (.015" Standard)	19	495660	Kit-Bushing/Seal	170	691120	Screw (Crankcase Cover) (Install In Position #4 and #5)
		<b>Note</b>	20	★294606	Seal-Oil (PTO Side)			Used on Type No(s). 0117, 0123, 0717, 0718, 1117, 1123, 1125, 1126.
		★270125 Gasket-Crankcase (.005")			<b>Note</b>	415	691363	Plug
		★270126 Gasket-Crankcase (.009")	21	281658	Seal-Oil (PTO Side) Used on Type No(s). 0718, 1313.	1194	691876	Seal-O Ring (Plug)
18	694350	Cover-Crankcase (Plain Bearing)	22	691662	Cap-Oil Fill (Crankcase Cover)			
		<b>Note</b>						
		694377 Cover-Crankcase Used on Type No(s). 0718, 1313.						

★ Included in Engine Gasket Set-Ref. 358.  
● Included in Carburetor Overhaul Kit-Ref. 121.

∅ Included in Valve Gasket Set-Ref. 1095.

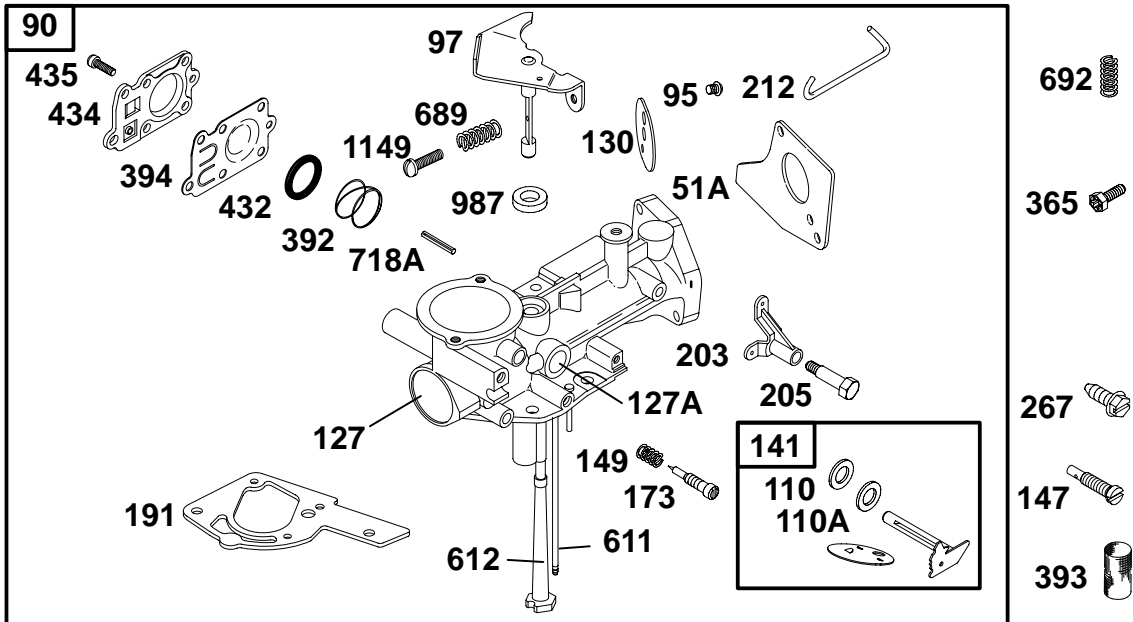


REF. NO.	PART NO.	DESCRIPTION	REF. NO.	PART NO.	DESCRIPTION	REF. NO.	PART NO.	DESCRIPTION
46	691164	Camshaft	219	494845	Gear-Governor	220	691724	Washer (Governor Gear)

★ Included in Engine Gasket Set-Ref. 358.  
 ● Included in Carburetor Overhaul Kit-Ref. 121.

∅ Included in Valve Gasket Set-Ref. 1095.

# 137200 to 137299

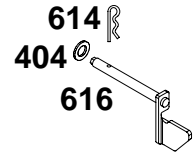
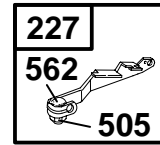
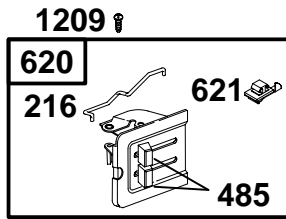


REF. NO.	PART NO.	DESCRIPTION	REF. NO.	PART NO.	DESCRIPTION	REF. NO.	PART NO.	DESCRIPTION
51A	★●273113	Gasket-Intake	147	691250	Jet-Pilot (Standard)	393	691213	Screen-Carburetor
90	498298	Carburetor			Used on Type No(s). 0714, 0717, 0718, 1124, 1125, 1126, 1127, 1134.	394	●272538	Diaphragm-Carburetor
95	691437	Screw (Throttle Valve)			<b>Note</b>	432	690766	Cap-Spring
97	692325	Shaft-Throttle	149	691592	Spring-Needle Valve	434	691713	Cover-Diaphragm
110	691869	Washer (Choke Shaft, Felt)	173	●691777	Valve-Idle Mixture	435	691619	Screw (Diaphragm Cover)
110A	690401	Washer (Choke Shaft, Brass)	191	★●692241	Gasket-Fuel Tank	611	691770	Pipe-Fuel
127	691718	Plug-Welch	203	691906	Crank-Bell (Standard, Nylon)	612	391813	Tube-Pick Up (Uses Clip Spring)
127A	691742	Plug-Welch	205	691776	Screw (Bell Crank)	689	691783	Spring-Friction (Idle Screw)
130	691743	Valve-Throttle	212	691812	Link-Throttle	692	690572	Spring-Detent Used on Type No(s). 0714, 0717, 0718, 1124, 1125, 1126, 1127, 1134.
141	497230	Kit-Choke Shaft	267	691082	Screw (Casing Clamp)	718A	690296	Pin-Locating (Pump Cover)
			365	690953	Screw (Carburetor)	987	695273	Seal-Throttle Shaft (Foam)
			392	691823	Spring-Pump Diaphragm	1149	691624	Screw (Throttle Shaft)

★ Included in Engine Gasket Set-Ref. 358.  
● Included in Carburetor Overhaul Kit-Ref. 121.

∅ Included in Valve Gasket Set-Ref. 1095.



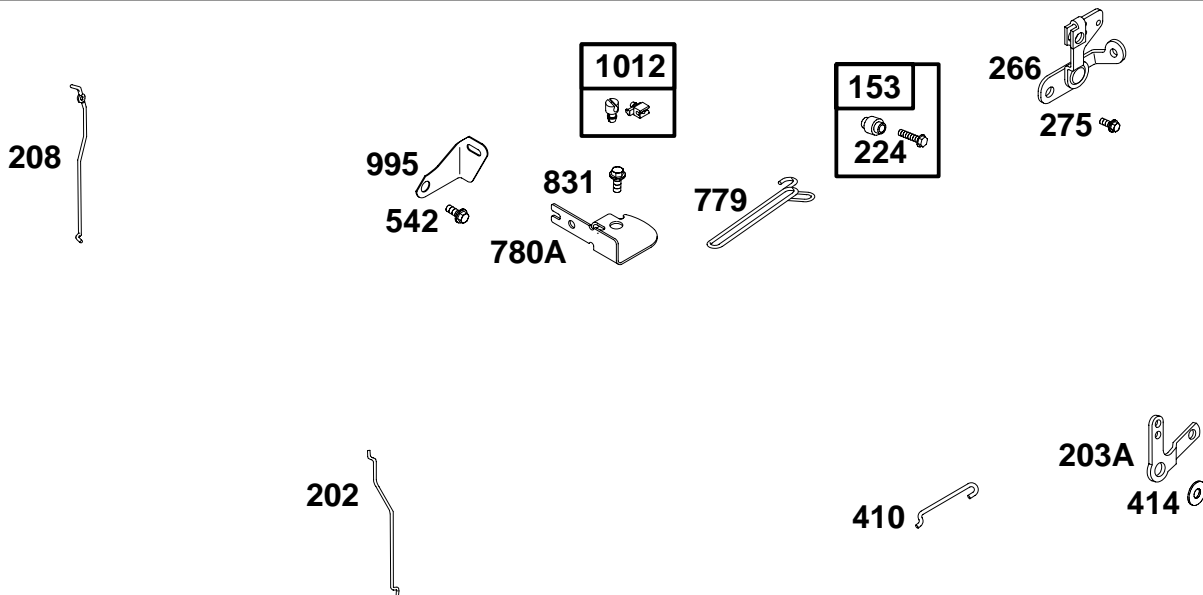


REF. NO.	PART NO.	DESCRIPTION	REF. NO.	PART NO.	DESCRIPTION	REF. NO.	PART NO.	DESCRIPTION
216	691824	Link-Choke (Manual)	505	691251	Nut (Governor Control Lever)	614	691620	Pin-Cotter
227	690653	Lever-Governor Control	562	691119	Bolt (Governor Control Lever)	616	692016	Crank-Governor
404	691691	Washer (Governor Crank)				620	490649	Bracket-Control (Panel)
485	692295	Knob-Control (Slide)				621	692310	Switch-Stop
						1209	692200	Screw (Control Bracket)

★ Included in Engine Gasket Set-Ref. 358.  
 ● Included in Carburetor Overhaul Kit-Ref. 121.

∅ Included in Valve Gasket Set-Ref. 1095.

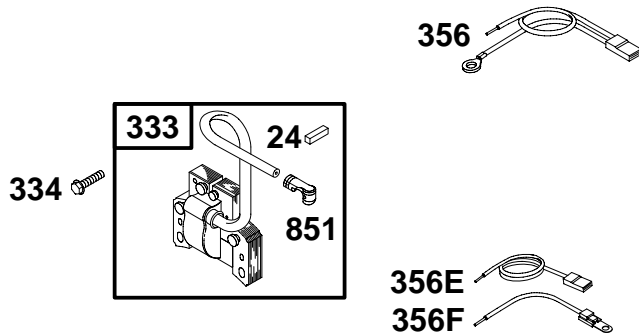
# 137200 to 137299



REF. NO.	PART NO.	DESCRIPTION	REF. NO.	PART NO.	DESCRIPTION	REF. NO.	PART NO.	DESCRIPTION
153	490589	Kit-Collar/Screw	275	691683	Screw	779	691828	Link-Bell Crank
202	691814	Link-Mechanical Governor	410	691274	Link-Control (Throttle Control)	780A	691211	Anchor-Spring (Governor Idle)
203A	691744	Crank-Bell	414	691721	Washer (Bell Crank)	831	691683	Screw (Spring Anchor)
208	691813	Rod-Governor Control	542	591683	Screw (Link Bracket)	995	691756	Bracket-Link
224	690320	Screw (Control Collar)				1012	490507	Retainer-Link
266	691414	Control-Throttle (Remote/Governor Idle)						

★ Included in Engine Gasket Set-Ref. 358.  
 ● Included in Carburetor Overhaul Kit-Ref. 121.

∅ Included in Valve Gasket Set-Ref. 1095.

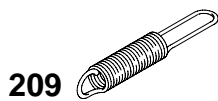


REF. NO.	PART NO.	DESCRIPTION	REF. NO.	PART NO.	DESCRIPTION	REF. NO.	PART NO.	DESCRIPTION
24	691732	Key-Flywheel	356	398808	Wire-Stop (2 Wire, 1 Ring Terminal, 1 Bare Wire End, 1 Insulated Male Blade Terminal)	851	493880	Terminal-Sparkplug
333	397358	Armature-Magneto	356E	692390	Wire-Stop (1 Wire, 1 Bare Wire End, 1 Insulated Male Blade Terminal)			
334	691621	Screw (Magneto Armature)	356F	691408	Wire-Stop (1 Wire, Rounded Blade Terminal, 1 Bare Wire End)			

★ Included in Engine Gasket Set-Ref. 358.  
 ● Included in Carburetor Overhaul Kit-Ref. 121.

∅ Included in Valve Gasket Set-Ref. 1095.

# 137200 to 137299



REF. NO.	PART NO.	DESCRIPTION	REF. NO.	PART NO.	DESCRIPTION	REF. NO.	PART NO.	DESCRIPTION
<b>209</b>	<b>691845</b>	Spring-Governor (Silver) <b>Note</b> <b>690549</b> Spring-Governor (Blue) Used on Type No(s). 0717, 0718, 1117, 1123, 1134, 1231, 1313. <b>690549</b> Spring-Governor (Blue) (Used Before Code Date 98081700). Used on Type No(s). 1125, 1126.			<b>690376</b> Spring-Governor (Red) Used on Type No(s). 0117, 0123, 0134. <b>691816</b> Spring-Governor (Black) Used on Type No(s). 0116, 0122, 0128.	<b>211</b>	<b>691850</b>	Spring-Governed Idle

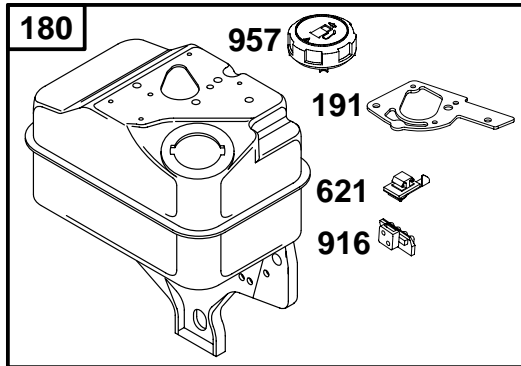
★ Included in Engine Gasket Set-Ref. 358.  
● Included in Carburetor Overhaul Kit-Ref. 121.

∅ Included in Valve Gasket Set-Ref. 1095.

190 

190A 

190B 

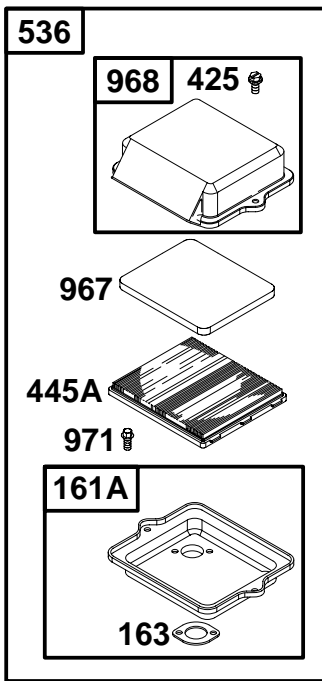


REF. NO.	PART NO.	DESCRIPTION	REF. NO.	PART NO.	DESCRIPTION	REF. NO.	PART NO.	DESCRIPTION
180	694315	Tank-Fuel (3 Quart)	191	★●692241	Gasket-Fuel Tank	957	494559	Cap-Fuel Tank (Plastic)
190	692200	Screw (Fuel Tank)	621	692310	Switch-Stop			
190A	691687	Screw (Fuel Tank)	916	691900	Rack-Governor Gear (Black)			
190B	691685	Screw (Fuel Tank)						

★ Included in Engine Gasket Set-Ref. 358.  
● Included in Carburetor Overhaul Kit-Ref. 121.

∅ Included in Valve Gasket Set-Ref. 1095.

# 137200 to 137299

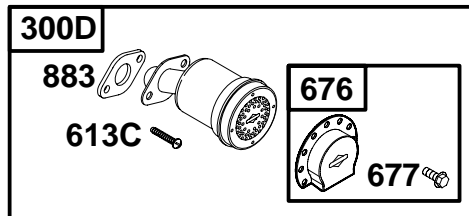
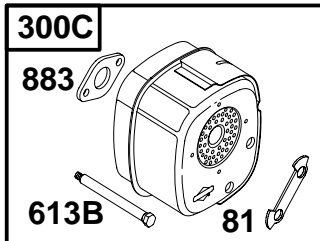
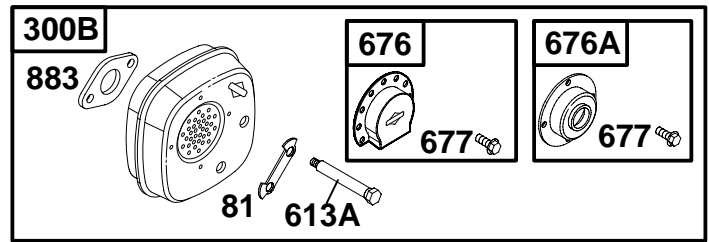


REF. NO.	PART NO.	DESCRIPTION	REF. NO.	PART NO.	DESCRIPTION	REF. NO.	PART NO.	DESCRIPTION
161A	694484	Base–Air Cleaner (Standard)	445A	491588	Filter–Air Cleaner Cartridge (Standard)	967	491435	Filter–Pre Cleaner (Standard)
163	★Ø271935	Gasket–Air Cleaner				968	692321	Cover–Air Cleaner (Standard)
425	694515	Screw (Air Cleaner Cover)	536	494279	Cleaner–Air (Standard)	971	690370	Screw (Air Cleaner Base)

★ Included in Engine Gasket Set–Ref. 358.

● Included in Carburetor Overhaul Kit–Ref. 121.

Ø Included in Valve Gasket Set–Ref. 1095.



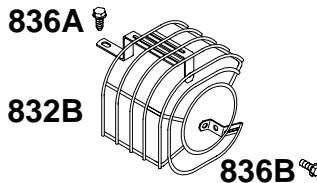
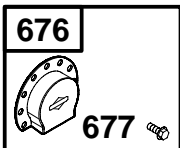
981 

REF. NO.	PART NO.	DESCRIPTION	REF. NO.	PART NO.	DESCRIPTION	REF. NO.	PART NO.	DESCRIPTION
81	691729	Lock-Muffler Screw	613A	691413	Screw (Muffler)	676	393757	Deflector-Muffler (Side Out) (Deep)
300B	494585	Muffler (Standard)	613B	691632	Screw (Muffler)	676A	395700	Deflector-Muffler (Direct Out)
300C	692304	Muffler (Lo Tone)	613C	691655	Screw (Muffler)	677	690661	Screw (Muffler Deflector)
300D	496892	Muffler (Round Lo Tone)				883	★692237	Gasket-Exhaust
						981	690408	Brace-Muffler

★ Included in Engine Gasket Set-Ref. 358.  
 ● Included in Carburetor Overhaul Kit-Ref. 121.

∅ Included in Valve Gasket Set-Ref. 1095.

# 137200 to 137299

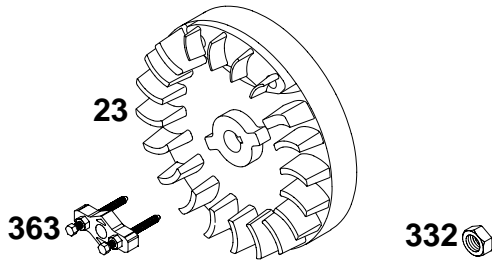
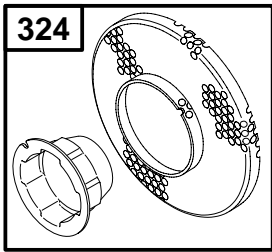


REF. NO.	PART NO.	DESCRIPTION	REF. NO.	PART NO.	DESCRIPTION	REF. NO.	PART NO.	DESCRIPTION
676	393757	Deflector-Muffler (Side Out)	832B	690625	Guard-Muffler (Lo Tone)	836A	690810	Screw (Muffler Guard)
677	690661	Screw (Muffler Deflector)				836B	690367	Screw (Muffler Guard)

★ Included in Engine Gasket Set-Ref. 358.  
 ● Included in Carburetor Overhaul Kit-Ref. 121.

∅ Included in Valve Gasket Set-Ref. 1095.



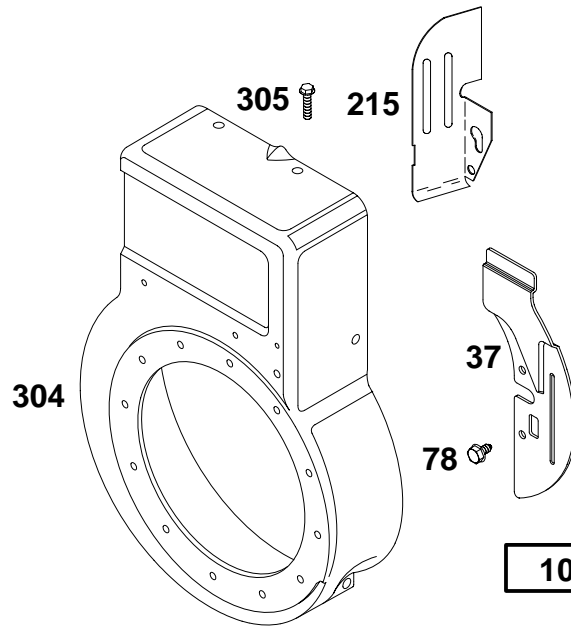


REF. NO.	PART NO.	DESCRIPTION	REF. NO.	PART NO.	DESCRIPTION	REF. NO.	PART NO.	DESCRIPTION
23	399673	Flywheel (Rewind Start)	324	695161	Screen/Cup Assembly (Used After Code Date 95010800).	332	690662	Nut (Flywheel)
						363	19069	Flywheel Puller

★ Included in Engine Gasket Set—Ref. 358.  
● Included in Carburetor Overhaul Kit—Ref. 121.

∅ Included in Valve Gasket Set—Ref. 1095.

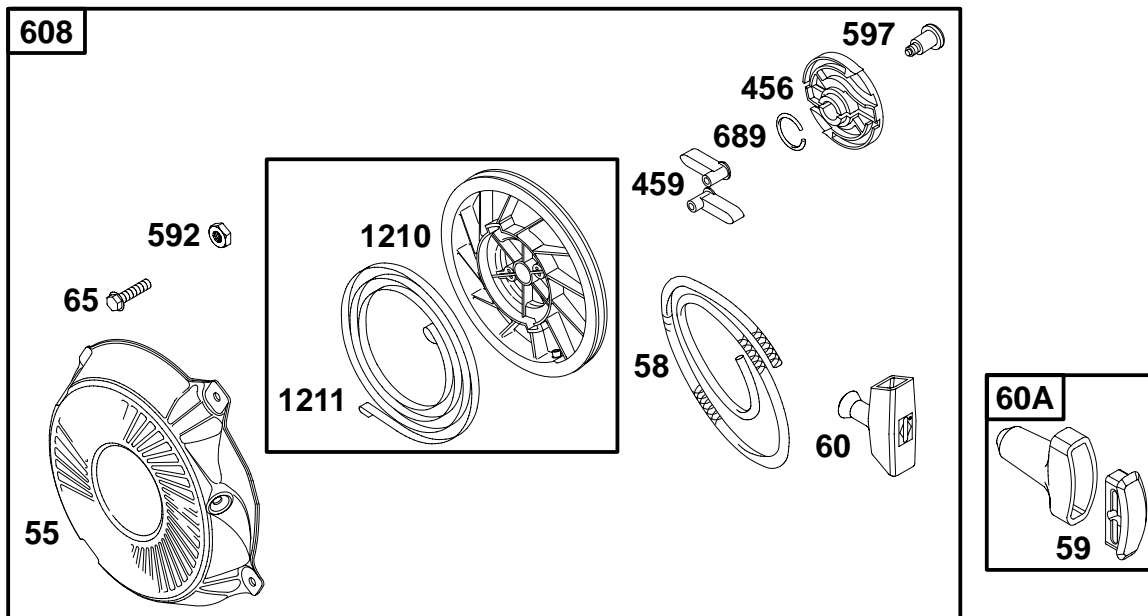
# 137200 to 137299



REF. NO.	PART NO.	DESCRIPTION	REF. NO.	PART NO.	DESCRIPTION	REF. NO.	PART NO.	DESCRIPTION
37	691732	Guard-Flywheel	304	495759	Housing-Blower (Black, Rewind Start)	1036	695100	Label-Emission (Used After Code Date 9909300).
78	691660	Screw (Flywheel Guard)	305	692198	Screw (Blower Housing)	<p align="center">————— <b>Note</b> —————</p> <p><b>694517</b> Label-Emission (Used Before Code Date 99100100 and After Code Date 98123100).</p> <p><b>499345</b> Label-Emission (Used Before Code Date 99010100 and After Code Date 97052500).</p> <p><b>499344</b> Label-Emission (Used Before Code Date 97052600).</p>		
215	691745	Guide-Air (Rewind Start Engines)						

★ Included in Engine Gasket Set-Ref. 358.  
● Included in Carburetor Overhaul Kit-Ref. 121.

∅ Included in Valve Gasket Set-Ref. 1095.

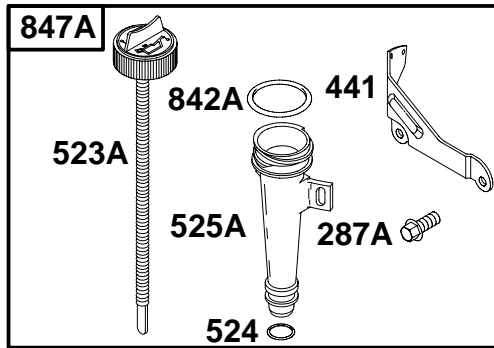
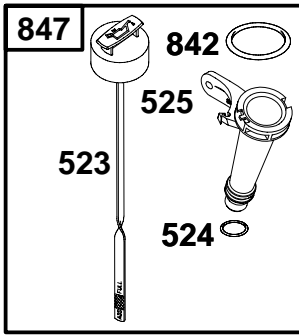


REF. NO.	PART NO.	DESCRIPTION	REF. NO.	PART NO.	DESCRIPTION	REF. NO.	PART NO.	DESCRIPTION
55	691421	Housing–Rewind Starter	65	690837	Screw (Rewind Starter)	689	691855	Spring–Friction (Ratchet Pawl)
58	691921	Rope–Starter (Cut To Required Length)	456	692299	Plate–Pawl Friction	1210	498144	Pulley/Spring Assembly (Pulley)
59	396892	Insert–Grip	459	281505	Pawl–Ratchet	1211	498144	Pulley/Spring Assembly (Spring)
60	691915	Grip–Starter Rope	592	690800	Nut (Rewind Starter)			
60A	393152	Grip–Starter Rope	597	691696	Screw (Pawl Friction Plate)			
			608	497830	Starter–Rewind			

★ Included in Engine Gasket Set–Ref. 358.  
 ● Included in Carburetor Overhaul Kit–Ref. 121.

∅ Included in Valve Gasket Set–Ref. 1095.

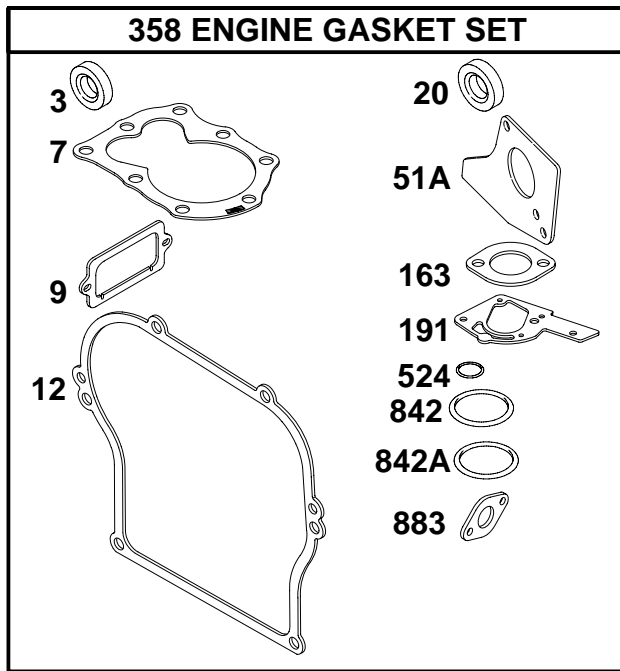
# 137200 to 137299



REF. NO.	PART NO.	DESCRIPTION	REF. NO.	PART NO.	DESCRIPTION	REF. NO.	PART NO.	DESCRIPTION
287	94807	Screw (Dipstick)	524	★691876	Seal-Dipstick Tube	847	694381	Dipstick/Tube Assembly (Without Bracket) (Used After Code Date 99031400).
287A	691693	Screw (Dipstick)	525	694379	Tube-Dipstick (For Flat Wire Dipstick) (Used After Code Date 99031400).			
441	690448	Bracket-Oil Fill	525A	694531	Tube-Dipstick (For Spring Dipstick) (Used Before Code Date 99031500).	847A	691379	Dipstick/Tube Assembly (With Bracket) (Used Before Code Date 99031500).
523	495264	Dipstick (Flat Wire) (Used After Code Date 99031400).	842	★691031	Seal-O Ring (Used After Code Date 99031400).			
523A	691388	Dipstick (Spring) (Used Before Code Date 99031500).	842A	★691870	Seal-O Ring (Used Before Code Date 99031500).			

★ Included in Engine Gasket Set-Ref. 358.  
● Included in Carburetor Overhaul Kit-Ref. 121.

∅ Included in Valve Gasket Set-Ref. 1095.

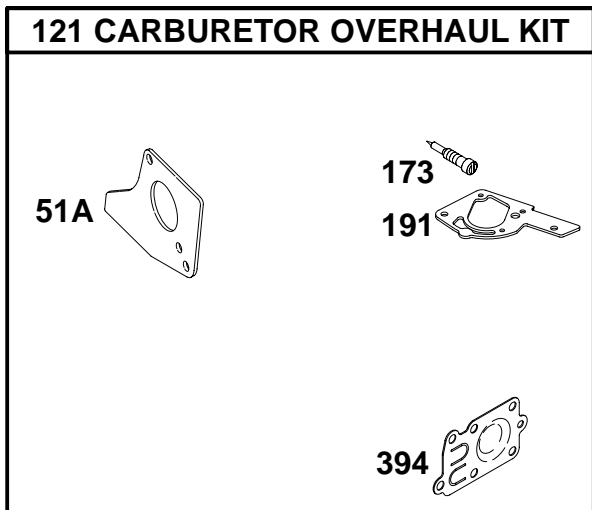


REF. NO.	PART NO.	DESCRIPTION	REF. NO.	PART NO.	DESCRIPTION	REF. NO.	PART NO.	DESCRIPTION
3	★299819	Seal—Oil (Magneto Side)	20	★294606	Seal—Oil (PTO Side)	358	495603	Gasket Set—Engine
7	★∅272157	Gasket—Cylinder Head			<b>Note</b> _____	524	★691876	Seal—Dipstick Tube
9	★∅27549	Gasket—Breather			★495307 Seal—Oil (PTO Side) Used on Type No(s). 0718, 1313.	842	★691031	Seal—O Ring (Used After Code Date 99031400).
12	★692213	Gasket—Crankcase (.015" Standard)	51A	★●273113	Gasket—Intake	842A	★691870	Seal—O Ring (Used Before Code Date 99031500).
		<b>Note</b> _____	163	★∅271935	Gasket—Air Cleaner	883	★692237	Gasket—Exhaust
		★270125 Gasket— Crankcase (.005")	191	★●692241	Gasket—Fuel Tank			
		★270126 Gasket— Crankcase (.009")						

★ Included in Engine Gasket Set—Ref. 358.  
● Included in Carburetor Overhaul Kit—Ref. 121.

∅ Included in Valve Gasket Set—Ref. 1095.

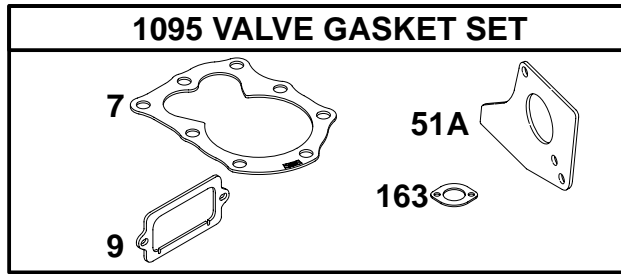
# 137200 to 137299



REF. NO.	PART NO.	DESCRIPTION	REF. NO.	PART NO.	DESCRIPTION	REF. NO.	PART NO.	DESCRIPTION
<b>51A</b>	★● <b>273113</b>	Gasket-Intake	<b>173</b>	● <b>691777</b>	Valve-Idle Mixture	<b>394</b>	● <b>272538</b>	Diaphragm-Carburetor
<b>121</b>	<b>495606</b>	Kit-Carburetor Overhaul	<b>191</b>	★● <b>692241</b>	Gasket-Fuel Tank			

★ Included in Engine Gasket Set-Ref. 358.  
 ● Included in Carburetor Overhaul Kit-Ref. 121.

∅ Included in Valve Gasket Set-Ref. 1095.



REF. NO.	PART NO.	DESCRIPTION	REF. NO.	PART NO.	DESCRIPTION	REF. NO.	PART NO.	DESCRIPTION
7	★Ø272157	Gasket-Cylinder Head	51A	★●273113	Gasket-Intake	1095	498529	Gasket Set-Valve
9	★Ø27549	Gasket-Breather	163	★Ø271935	Gasket-Air Cleaner			

★ Included in Engine Gasket Set-Ref. 358.  
● Included in Carburetor Overhaul Kit-Ref. 121.

Ø Included in Valve Gasket Set-Ref. 1095.