

140700 to 141707

Illustrated Parts List

MODEL SERIES

140700 to 141707

TYPE NUMBERS

0010 to 0143
501000 to 501034

TYPE NUMBERS

0100 to 0122
501500 to 501542

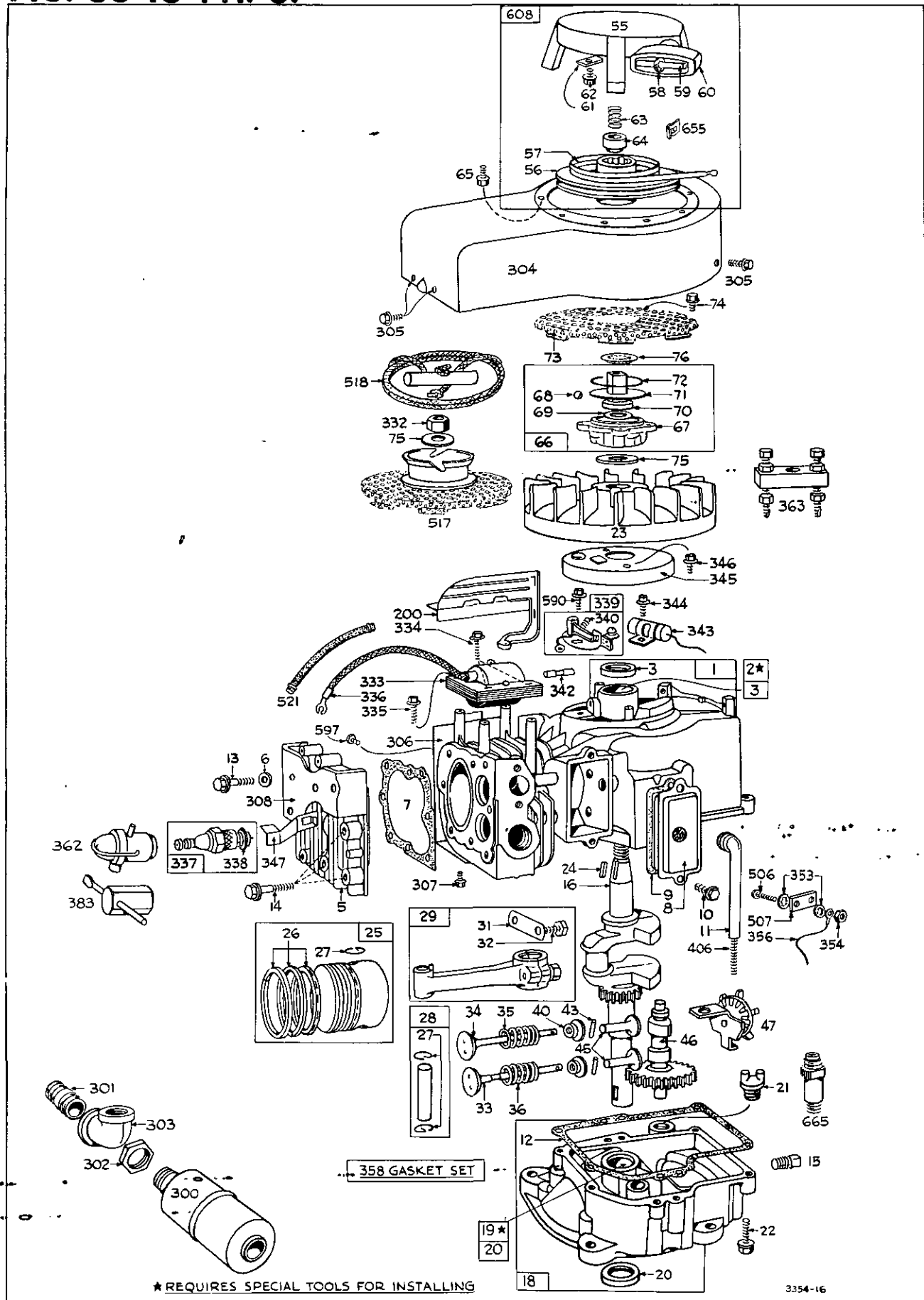
**TO FIND
THE CORRECT NUMBER OF THE PART YOU NEED:
FOLLOW THE INSTRUCTIONS BELOW.**

- A. Refer to Engine Model, Type and Serial Number that is stamped on the blower housing or name plate of engine. (Engine type numbers such as 501541 are listed complete. Engine type numbers such as 0121 01 are listed herein only as 0121. The two digits (01 or 02, etc.) to the right of the space are not needed for parts identification). Then use the Illustrated Parts List covering these Model Series.
- B. Refer to Illustrated Parts section and compare the old part with illustration. The number on the illustration is the Reference Number. Assemblies include all parts shown in frames. All parts shown in assembly frames on which individual reference numbers are given can be purchased separately.
- C. After the Reference Number has been identified, refer to the Numerical Parts List, where Reference and Master Part Numbers are listed. **THE MASTER PART IS USED ON ALL TYPE NUMBERS EXCEPT THOSE TYPE NUMBERS UNDER "NOTE"**
- D. If a "Note" appears below the Master Part Number, this means that this part differs from the Master Part for certain types. If the Type Number is listed under "Note", order the part referred to.
- E. If the Engine Type Number does not appear after any part number listed under "Note", use the Master Part Number.
- F. For Type Numbers higher than those covered by this book, please refer to the factory if you are unable to identify the part by comparison.

PRINTED IN U.S.A.



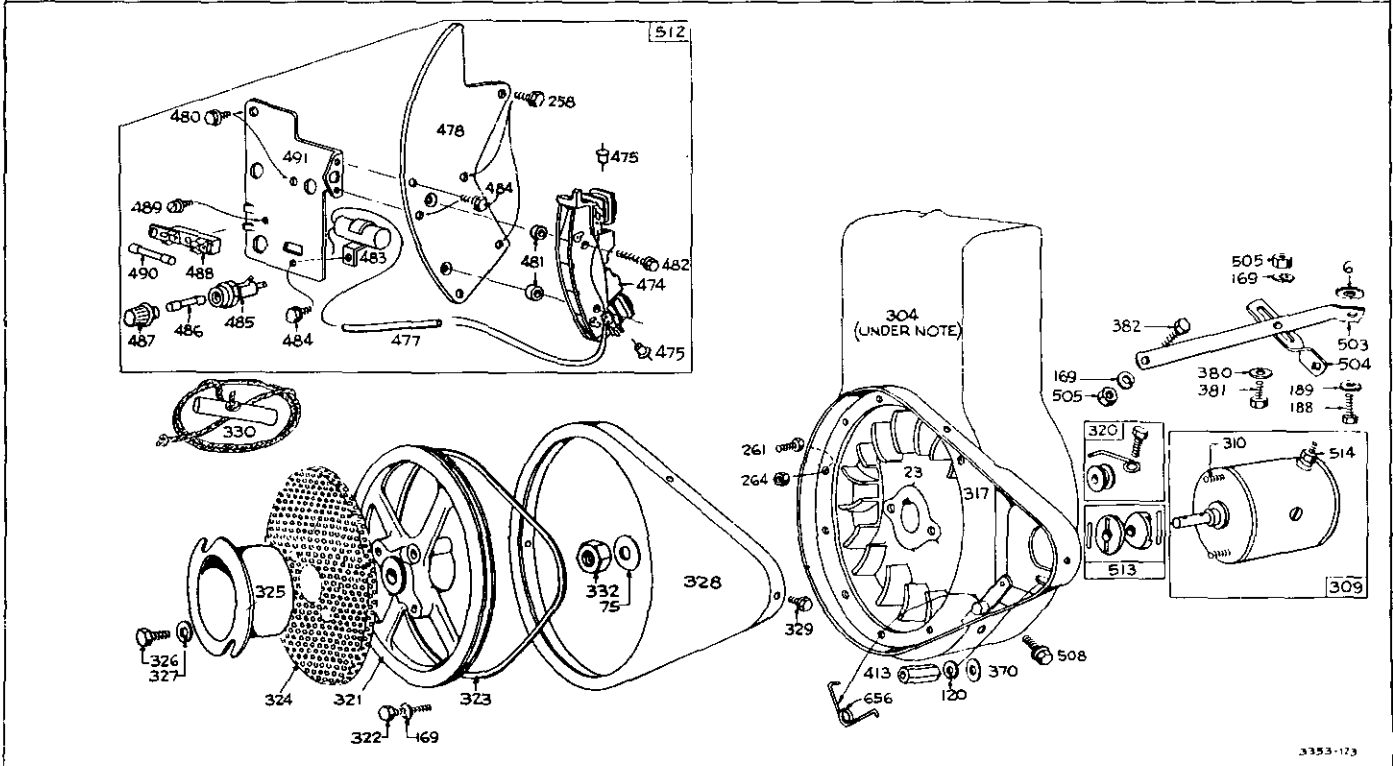
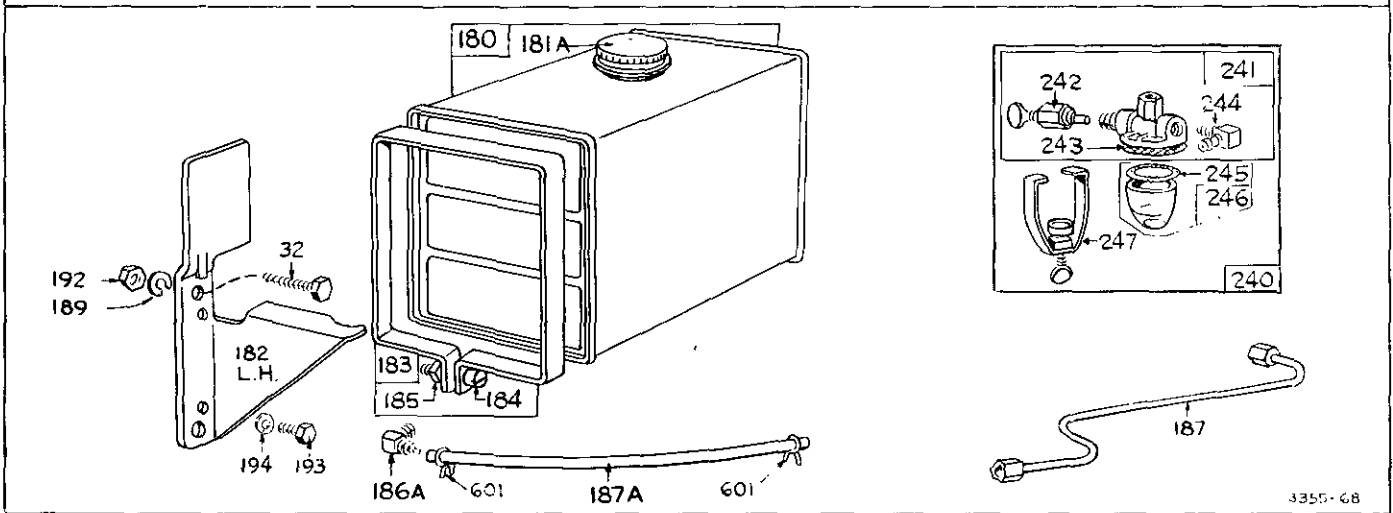
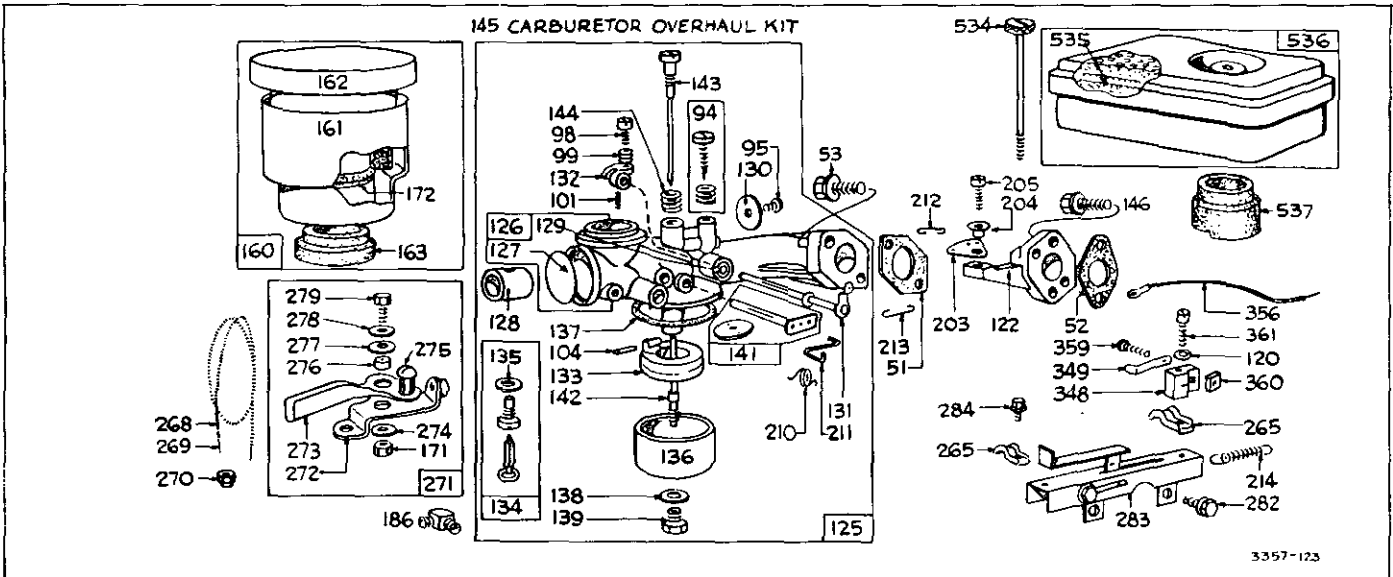
140700 to 141707



★ REQUIRES SPECIAL TOOLS FOR INSTALLING

Assemblies include all parts shown in frames.

140700 to 141707



140700 to 141707

REF. NO.	PART NO.	DESCRIPTION	REF. NO.	PART NO.	DESCRIPTION	REF. NO.	PART NO.	DESCRIPTION
1	299281	Cylinder Assembly (Sleeve Bore) This group of Cylinders used on Model 141700 Series. Note: 296018 Cylinder Assy. (Sleeve Bore) Used on type Nos. 0117, 0121, 501520, 501521, 501524, 501526, 501527, 501529, 501532, 501533, 501534, 501535, 501536, 501537, 501538, 501539.	16	260356	Crankshaft Note: 260394 Crankshaft Used on Model 1407 Series type Nos. 0136, 501030; also used on Model 1417 Series type No. 501518. 260498 Crankshaft Used on Model 1407 Series type Nos. 0130, 0131, 0137, 0141, 501033; also used on Model 1417 Series type Nos. 501525, 501528, 501539. 260506 Crankshaft Used on Model 1407 Series type Nos. 0125, 0139, 501023, 501025; also used on Model 1417 Series type Nos. 501526, 501527. 260536 Crankshaft Used on Model 1417 Series type Nos. 0121, 0142, 501529, 501533. 260707 Crankshaft Used on Model 1407 Series type Nos. 0128, 501024; also used on Model 1417 Series type No. 501538.	24	61760	Key - Flywheel
	299218	Cylinder Assembly "Kool-Bore" This group of Cylinders used on Model 140700 Series. Note: 297721 Cylinder Assy. "Kool-Bore" Used on type Nos. 0128, 0130, 0131, 0134, 0142, 501020, 501021, 501024, 501026, 501028, 501031, 501032, 501033.	18	295879	Sump - Oil Note: 296594 Sump - Oil Used on Model 1407 Series type Nos. 0130, 0131, 0142, 501033; also used on Model 1417 Series type Nos. 0121, 501529, 501533.	25		Model 141700 Series Piston Assemblies (Sleeve Bore)
2	295962	Bushing - Cylinder Note: Requires special tools installation.	19	295963	Bushing - Oil Sump Note: Requires special tools for installation.	295842		Piston Assy. - Standard
3	294606	Seal - Oil	20	298423	Seal - Oil	295846		Piston Assembly - .010" O.S.
5	210578	Head - Cylinder	21	66768	Plug - Oil Filter	295848		Piston Assembly - .020" O.S.
6	22963	Washer - Plain	22	93205	Screw - Sump Mtg. Sem	295850		Piston Assembly - .030" O.S.
7	4270340	Gasket - Cylinder Head	23	295214	Flywheel Note: 296335 Flywheel Used on Model 1417 Series type Nos. 0119, 501528, 501530, 501531.			Model 140700 Series Piston Assemblies "Kool-Bore"
8	294988	Breather Assembly				297692		Piston Assy. - Standard
9	427803	Gasket - Valve Cover				297693		Piston Assembly - .010" O.S.
10	93394	Screw - Breather Mounting Sem				297694		Piston Assembly - .020" O.S.
11	67158	Tube - Breather				297695		Piston Assembly - .030" O.S.
12	427750	Gasket - Crankcase Cover - 1/64" thick						Model 141700 Series Piston Ring Sets (Sleeve Bore)
	427876	Gasket - Crankcase Cover - .005" thick						Note: For Chrome Piston Ring Set - standard size - order Part No. 298451.
	427877	Gasket - Crankcase Cover - .009" thick				26	295852	Ring Set - Piston - Std. Includes:
13	93210	Screw - Cylinder Head (2-9/32" long)						210703 Ring - Piston, Comp., Top, Standard
14	93211	Screw - Cylinder Head (2-21/32" long)						210601 Ring - Piston, Comp., Center, Standard
15	91084	Plug - Oil Drain						295843 Ring - Piston, Oil, Standard (w/expander)
								295853 Ring Set - Piston - .010" O.S.
								Includes: 210889 Ring - Piston, Comp., Top, .010" O.S.

◆Included in Gasket Set - Part No. 295970

*Trademark of Briggs & Stratton Corp.

REF. PART NO. NO. DESCRIPTION	REF. PART NO. NO. DESCRIPTION	REF. PART NO. NO. DESCRIPTION
<p>295847 Ring – Piston, Oil, .010" O.S. (w/expander)</p> <p>295854 Ring Set – Piston – .020" O.S. Includes: 210893 Ring – Piston, Comp., Top, .020" O.S. 210894 Ring – Piston, Comp., Center, .020" O.S. 295849 Ring – Piston, Oil, .020" O.S. (w/expander)</p> <p>295855 Ring Set – Piston – .030" O.S. Includes: 210897 Ring – Piston, Comp., Top, .030" O.S. 210898 Ring – Piston, Comp., Center, .030" O.S. 295851 Ring – Piston, Oil, .030" O.S. (w/expander)</p> <p>Model 140700 Series Piston Ring Sets "Kool-Bore"</p> <p>297815 Ring Set – Piston – Std. Consists of: 210600 Ring, Piston, Comp., Top, Std. 211037 Ring, Piston, Comp., Center, Standard</p>	<p>210602 Ring, Piston, Oil, Std.</p> <p>297705 Ring Set – Piston – .010" O.S. Consists of: 211241 Ring, Piston, Comp., Top, .010" O.S. 211244 Ring, Piston, Comp., Center, .010" O.S. 211247 Ring, Piston, Oil, .010" O.S.</p> <p>297706 Ring Set – Piston – .020" O.S. Consists of: 211242 Ring, Piston, Comp., Top, .020" O.S. 211245 Ring, Piston, Comp., Center, .020" O.S. 211248 Ring, Piston, Oil, .020" O.S.</p> <p>297707 Ring Set – Piston – .030" O.S. Consists of: 211243 Ring, Piston, Comp., Top, .030" O.S.</p>	<p>211246 Ring, Piston, Comp., Center, .030" O.S.</p> <p>211249 Ring, Piston, Oil, .030" O.S.</p> <p>27 68546 Lock – Piston Pin</p> <p>28 295840 Pin Assy. – Standard</p> <p>295841 Pin Assy. – .005" O.S.</p> <p>29 295839 Rod Assy. – Connecting</p> <p>31 220811 Lock – Conn. Rod Screw</p> <p>32 92659 Screw – Conn. Rod and Bracket Mounting</p> <p>33 230385 Valve – Exhaust Note: 260444 Valve – Exhaust Used on Model 1407 Series type Nos. 0128, 0141, 501024; also used on Model 1417 Series type No. 501538.</p> <p>34 230386 Valve – Intake Note: 230385 Valve – Intake Used on Model 1407 Series type Nos. 0128, 0141, 501024; also used on Model 1417 Series type No. 501538.</p> <p>35 65906 Spring – Intake Valve</p> <p>36 65906 Spring – Exhaust Valve Note: 26828 Spring – Exhaust Valve Used on Model 1407 Series type Nos. 0128, 0141, 501024; also used on Model 1417 Series type No. 501538.</p> <p>40 230477 Retainer – Valve Spring Note: 292260 Rotocap – Exhaust Valve Used on Model 1407 Series type Nos. 0128, 0141, 501024; also used on Model 1417 Series type No. 501538.</p>

*Trademark of Briggs & Stratton Corp.

REF. PART NO.	PART NO.	DESCRIPTION	REF. PART NO.	PART NO.	DESCRIPTION	REF. PART NO.	PART NO.	DESCRIPTION
		Nos. 0110, 0111, 0114, 0117, 0119, 0121, 501510, 501511, 501514, 501515, 501520, 501527, 501529, 501531, 501533, 501534, 501535, 501536, 501538, 501539, 501540, 501541. Uses: 23270 Screw – Choke Lever 26229 Spring – Choke Lever 220886 Valve – Choke 220899 Washer			Series type Nos. 501510, 501511, 501514, 501516, 501518, 501522, 501525, 501528, 501530, 501531. 181 69221 Cap – Fuel Tank Note: 293270 Cap – Fuel Tank Used on Model 1407 Series type Nos. 0125, 0127, 0133, 0135, 0136, 0137, 0138, 0139, 0140, 0141, 501022, 501023, 501025, 501028, 501029; also used on Model 1417 Series type Nos. 501515, 501517, 501540, 501541.			1417 Series type Nos. 501518, 501525, 501528. Pipe – Fuel Note: Fuel pipes for the following Model 1407 Series type numbers are supplied by the equipment manufacturers: 0129, 0134, 501010, 501011, 501016, 501026, 501027; also for Model 1417 Series type Nos. 501510, 501511, 501514, 501516, 501518, 501522, 501523, 501525, 501528, 501530, 501531, 501537. 295050 Pipe – Fuel (Flex.) Uses: 93053 Clamp (2) Used on Model 1417 Series type Nos. 501525, 501528. 295836 Pipe – Fuel Used on Model 1407 Series type Nos. 0125, 0127, 0133, 0135, 0136, 0137, 0138, 0139, 0140, 0141, 501022, 501023, 501025, 501028, 501029; also used on Model 1417 Series type Nos. 501515, 501517, 501540, 501541. 295995 Pipe – Fuel Used on Model 1407 Series type Nos. 0128, 0130, 0131, 0142, 501020, 501021, 501024, 501026, 501028, 501033; also used on Model 1417 Series type Nos. 0117, 0121, 501520, 501521, 501524, 501526, 501527, 501529, 501533, 501534, 501535, 501536, 501537, 501538, 501539. 296004 Pipe – Fuel (Flexible) Uses: 93053 Clamp (2) Used on type No. 0129.
142	298947	Nozzle – Carburetor	182	221088	Bracket – Fuel Tank, R. H.			
143	294473	Valve – Needle		221087	Bracket – Fuel Tank, L. H.			
144	260256	Spring – Needle Valve		Note:	220858 Bracket – Fuel Tank			
145	298951	Carburetor Overhaul Kit			Used on Model 1407			
146	93357	Screw – Carburetor Assy. Mounting Sem	183	291367	Strap Assy. – Fuel Tank			
160	294872	Cleaner Assy. – Air Note: 296397 Cleaner – Air Used on Model 1417	184	91257	Screw – Machine, Fill. Hd. – 1/4-20 x 1-1/2"			
		Series type No. 501518. Uses: 230636 Spacer 296441 Stud and Nut	185	90970	Nut – Square, 1/4-20			
161	293991	Bowl – Air Cleaner	186	66111	Connector – Fuel Pipe (Used at carburetor)			
162	294802	Cover and Filter – Air Cleaner		Note:	63377 Connector – Fuel Pipe			
163	27660	Gasket – Air Cleaner Mounting			Used on Model 1407			
169	90832	Washer – Lock – 1/4" x 3/32" x 5/64"			Series type Nos. 0128, 0130, 0131, 0134, 0142, 501020, 501021, 501024, 501026, 501028, 501033; also used on Model 1417			
171	92129	Nut – Hex. – 1/4-28			Series type Nos. 0117, 0121, 501520, 501521, 501524, 501526, 501527, 501529, 501533, 501534, 501535, 501536, 501537, 501538, 501539. 67218 Connector Used on Model 1407			
172	27795	Gasket – Air Cleaner			Series type Nos. 0129, 0132, 501030, 501031; also used on Model			
180	290816	Tank Assy. – Fuel Note: For Fuel Tank welded to Blower Housing see Ref. No. 304 and order Part No. 295898 . Note: Fuel Tanks for the following Model 1407 Series type numbers are supplied by the equipment manufacturer: 0134, 501010, 501011, 501016, 501026, 501027, 501037; also for Model 1417						

‡Included in Carburetor Overhaul Kit – Part No. 298951

140700 to 141707

REF. NO.	PART NO.	DESCRIPTION	REF. NO.	PART NO.	DESCRIPTION	REF. NO.	PART NO.	DESCRIPTION
189	90366	Washer - Lock - 5/16 x 1/8 x 1/16"			501515, 501517, 501540, 501541.			501025, 501029; also used on Model 1417
192	91397	Nut - Hex. 5/16-18			293964 Filter Assy. - Fuel			Series type Nos. 501515, 501517, 501540, 501541.
193	93136	Screw - Cap, Hex. Hd., 7/16-14 x 1"			Used on Model 1407	243	22547	Screen - Fuel Filter
	Note:	92272 Screw - Cap, Hex. Hd. - 5/16-18 x 3/4"			Series type Nos. 0128, 0130, 0131, 0142, 501020, 501021, 501024, 501028, 501033; also used on Model 1417	244	67218	Connector - Fuel Pipe
		90366 Washer - Lock - 5/16 x 1/8 x 1/16"			Series type Nos. 0117, 0121, 501520, 501521, 501524, 501526, 501527, 501529, 501532, 501533, 501534, 501535, 501536, 501538, 501539.		Note:	63377 Connector - Fuel Pipe
		Used to mount tank bracket to cylinder on Model 1417 Series type Nos. 501514, 501528, 501530, 501531.			295984 Filter Assy. - Fuel			Used on Model 1407
194	91808	Washer - Lock - 7/16 x 5/32 x 1/8"			Used on Model 1407			Series type Nos. 0128, 0130, 0131, 0142, 501020, 501021, 501024, 501028, 501033; also used on Model 1417
200	295844	Blade - Governor			Series type Nos. 0129, 0132.			Series type Nos. 0117, 0121, 501520, 501521, 501524, 501526, 501527, 501529, 501532, 501533, 501534, 501535, 501536, 501538, 501539.
203	221052	Crank - Bell			296019 Cover Assembly - Fuel Filter			Used on Model 1407
204	230117	Collar			Note: 293966 Cover Assy. - Fuel Filter			Series type Nos. 0129, 0132.
205	92722	Screw - Bell Crank Mtg.			Used on Model 1407			Series type Nos. 0128, 0130, 0131, 0142, 501020, 501021, 501024, 501028, 501033; also used on Model 1417
210	260136	Spring - Choke Return (Choke-A-Matic)	241	296019	Cover Assembly - Fuel Filter			Series type Nos. 0117, 0121, 501520, 501521, 501524, 501526, 501527, 501529, 501532, 501533, 501534, 501536, 501538, 501539.
211	260137	Link - Choke Return (Choke-A-Matic)			Note: 296005 Cover Assy. - Fuel Filter			Used on Model 1407
212	26235	Link - Governor (Between Carburetor and Bell Crank)			Used on Model 1407			Series type Nos. 0129, 0132.
213	260385	Link - Governor (Between Bell Crank and Governor Arm)			Series type Nos. 0128, 0130, 0131, 0142, 501020, 501021, 501024, 501028, 501033; also used on Model 1417	245	668477	Gasket - Fuel Filter Bowl
214	260384	Spring - Governor			Series type Nos. 0117, 0121, 501520, 501521, 501524, 501526, 501527, 501529, 501532, 501533, 501534, 501536, 501538, 501539.	246	298683	Bowl - Fuel Filter
240	295977	Filter Assy. - Fuel			296005 Cover Assy. - Fuel Filter	247	99665	Yoke - Fuel Filter
	Note:	91635 Connector Used to connect fuel filter to tank on Model 1407 Series type No. 501030; also used on Model 1417 Series type No. 501518.			Used on Model 1407	258	93062	Screw - Sem
		292797 Outlet (includes strainer) Used on Model 1407 Series type Nos. 0125, 0127, 0133, 0135, 0136, 0137, 0138, 0139, 0140, 0141, 501022, 501023, 501025, 501029; also used on Model 1417 Series type Nos.	242	295913	Valve - Fuel Shut-off	261	93105	Screw - Sem
					Note: 293934 Valve - Fuel Shut-off	264	90355	Nut - Hex. - 10-32
					Used on Model 1407	265	220796	Clamp - Casing
					Series type Nos. 0125, 0127, 0133, 0135, 0136, 0137, 0138, 0139, 0140, 0141, 501022, 501023,	268	65616	Casing - Control Wire - 72" long
							Note:	If longer casing is re- quired, specify length in inches; if shorter wire is needed, order No. 65616 and cut to required length.
						269	26633	Wire - Control - 78" long
							Note:	If longer wire is re- quired, specify length in inches; if shorter wire is needed, order No. 26633 and cut to required length.
						270	63426	Locknut - Control Wire Casing

♦Included in Gasket Set -
Part No. 295970

REF. NO.	PART NO.	DESCRIPTION	REF. NO.	PART NO.	DESCRIPTION	REF. NO.	PART NO.	DESCRIPTION
		0120, 0121, 501516, 501517, 501518, 501521, 501522, 501523, 501525, 501526, 501528, 501529, 501530, 501532, 501533, 501537.			When ordering this blower housing, order No. 297415 Screw and Nut Kit also; to mount the belt guard.	310	93268	Bolt - Case
		298291 Control Assy. - Speed			296470 Housing - Blower	317	296013	Bracket - Starter
		Used on Model 1407			(For Electric Starter)	320	297162	Pulley - Idler
		Series type Nos. 0125, 501025.			Used on Model 1417	321	210961	Pulley - Starter Drive
284	93108	Screw - Clamp Mtg. Sem			Series type Nos. 0114, 501514.	322	90931	Screw - Cap, Hex. Hd. - 1/4-20 x 2-1/4"
300	294599	Muffler - Exhaust			When ordering this blower housing, order No. 297415 Screw and Nut Kit also; to mount the belt guard.	323	67318	Belt - Vee
	Note:	296359 Muffler - Exhaust				324	221067	Screen - Electric Starter
		Used on type Nos. 501525, 501528.				325	221400	Pulley - Rope Starter
301	91245	Nipple - Exhaust	305	93158	Screw - Blower Housing Mounting Sem	326	92272	Screw - Cap, Hex. Hd. - 5/16-18 x 3/4"
302	91242	Locknut - Muffler and Elbow		Note:	93294 Screw - Blower Housing Mounting Sem	327	91388	Washer - Lock - 5/16 x 3/32 x 5/64
303	91205	Elbow - Muffler - 45°			Used on Model 1407	328	221122	Guard - Belt
	Note:	91219 Elbow - Muffler, 45° Street			Series type Nos. 0140, 0141, 501023; also used on Model 1417	329	93246	Screw - Belt Guard Mounting Sem
		Used on Model 1417			Series type Nos. 501515, 501517.	330	29878	Rope - Starter
		Series type Nos. 501525, 501528.			93158 Screw - Sem (2)	332	92284	Nut
		91464 Elbow - Muffler, 90° Street			Used in bottom holes of blower housing for mounting to engine on type No. 501514.	333	296834	Armature Assembly
		Used on Model 1407				334	93381	Screw - Armature Mounting Sem
		Series type Nos. 0127, 0135, 0140, 501029.				335	93381	Screw - Armature Mounting Sem
304	295389	Housing - Blower	306	221005	Shield - Cylinder	336	294735	Cable - Ignition (Used before Serial No. 14677 where Cable is not molded into coil)
	Note:	295898 Housing - Blower (with tank)	307	93163	Screw - Cylinder Shield Mounting Sem		Note:	296010 Cable - Ignition (Used before Serial No. 14677 where Cable is not molded into coil)
		Used on Model 1407						Used on Model 1407
		Series type Nos. 0125, 0127, 0133, 0135, 0136, 0137, 0138, 0139, 0140, 0141, 501022, 501023, 501025, 501029; also used on Model 1417	308	220824	Cover - Cylinder Head	337	29693	Plug - Spark
		Series type Nos. 501515, 501517, 501540, 501541.		Note:	221153 Cover - Cylinder Head	338	29806	Gasket - Spark Plug
		296461 Housing - Blower (For Electric Starter)			Used on Model 1407	339	29667	Breaker Assembly - Ignition
		Used on Model 1417			Series type Nos. 0128, 501024; also used on Model 1417	340	26018	Spring - Breaker Arm
		Series type Nos. 0119, 0120, 501528, 501530, 501531.			Series type No. 501538.	342	65704	Plunger - Breaker Point
			309	296122	Motor - Electric Starter (12 volt)	343	29861	Condenser
					(Electric Auto-Lite No. Med 4001) For service on these motors see your nearest "Authorized Auto-Lite Service Station".	344	93370	Screw - Condenser Mounting Sem
						345	221046	Cover - Breaker Point
						346	93014	Screw - Breaker Point Cover Mounting Sem
						347	221808	Switch - Stop
						348	66898	Block - Stop Switch
						349	220902	Blade - Switch

140700 to 141707

REF. NO.	PART NO.	DESCRIPTION	REF. NO.	PART NO.	DESCRIPTION	REF. NO.	PART NO.	DESCRIPTION
354	90576	Nut - Hex. - 8-32	382	92666	Screw - Cap, Hex. Hd. - 1/4-20 x 1/2"	506	90072	Screw - Machine, Rd. Hd. - 8-32 x 5/8"
355	66554	Collar - Insulating	383	89838	Wrench - Spark Plug	507	66895	Insulator
356	295413	Wire - Ground	406	260386	Spring - Breather Tube	508	93294	Screw - Blower Housing Mounting Sem (Used at bottom holes)
	Note:	295941 Wire - Ground Used on Model 1407 Series type Nos. 0015, 0116, 0125, 0127, 0129, 0134, 0135, 0136, 0138, 501016, 501021, 501023, 501025, 501026, 501027, 501028, 501029, 501030, 501031, 501032; also used on Model 1417 Series type Nos. 0116, 0120, 0121, 501516, 501517, 501518, 501521, 501522, 501523, 501525, 501526, 501528, 501529, 501530, 501532, 501533, 501537.	413	230581	Nut - Starter Mounting	512	296560	Armature and Wiring Assembly
358	295970	Gasket Set	474	296436	Armature - Flywheel Generator	513	296567	Clutch Assembly - Electric Starter
359	93149	Screw - Machine, Rd. Hd. - 5-40 x 3/8"	475	296562	Rectifier	514	91700	Nut - Hex. - 1/4-20
360	93150	Nut - Square - 5-40	477	67538	Sleeving - Wire	517	295423	Pulley - Rope Starter (with screen)
361	91432	Screw - Stop Switch Mtg.	478	296367	Plate - Generator Mtg.	518	69932	Rope - Starter
362	291630	Shield - Spark Plug (with stop switch)	480	93163	Screw - Support Plate and Bracket Mtg. Sem	521	298529	Shielding - Ignition Cable
363	19165	Puller - Flywheel	481	230582	Spacer - Armature Mtg.	534	93324	Screw - Air Cleaner
370	66432	Washer - Plain	482	93234	Screw - Armature Mounting Sem		Note:	296441 Stud and Nut 230636 Spacer Used on type No. 501518.
380	62199	Washer - Plain	483	296266	Capacitor (Condenser)	535	27987	Element - Air Cleaner
381	91419	Screw - Cap, Hex. Hd. - 1/4-20 x 5/8"	484	93166	Screw - Self Tapping, Hex. Hd., Sem	536	297036	Cleaner Assy. - Air
			485	296437	Post Assembly - Fuse	537	27994	Gasket - Air Cleaner
			486	67135	Fuse - AG - 1-1/2 Amperes	590	93226	Screw - Breaker Mounting Sem
			487	296347	Cap - Fuse Holder	597	93258	Screw - Plate Mounting Starter Assy. - Rewind
			488	296579	Block Assembly - Fuse	608	295001	Anchor - Spring
			489	93237	Screw - Fuse Block Mounting Sem	655	221014	Spring - Idler Arm
			490	67125	Fuse - 3 AG - 7-1/2 Amperes	656	260672	Oil Minder
			491	221241	Support - Charger Mtg.	665	296768	
			503	221205	Strap - Starter (long)			
			504	221206	Strap - Starter (short)			
			505	92278	Nut - Hex. - 1/4-20			

