

141300 to 141457

Illustrated Parts List

MODEL SERIES

141300 to 141457

TYPE NUMBERS

0110 to 0183

500500 to 500712

TO FIND

THE CORRECT NUMBER OF THE PART YOU NEED:

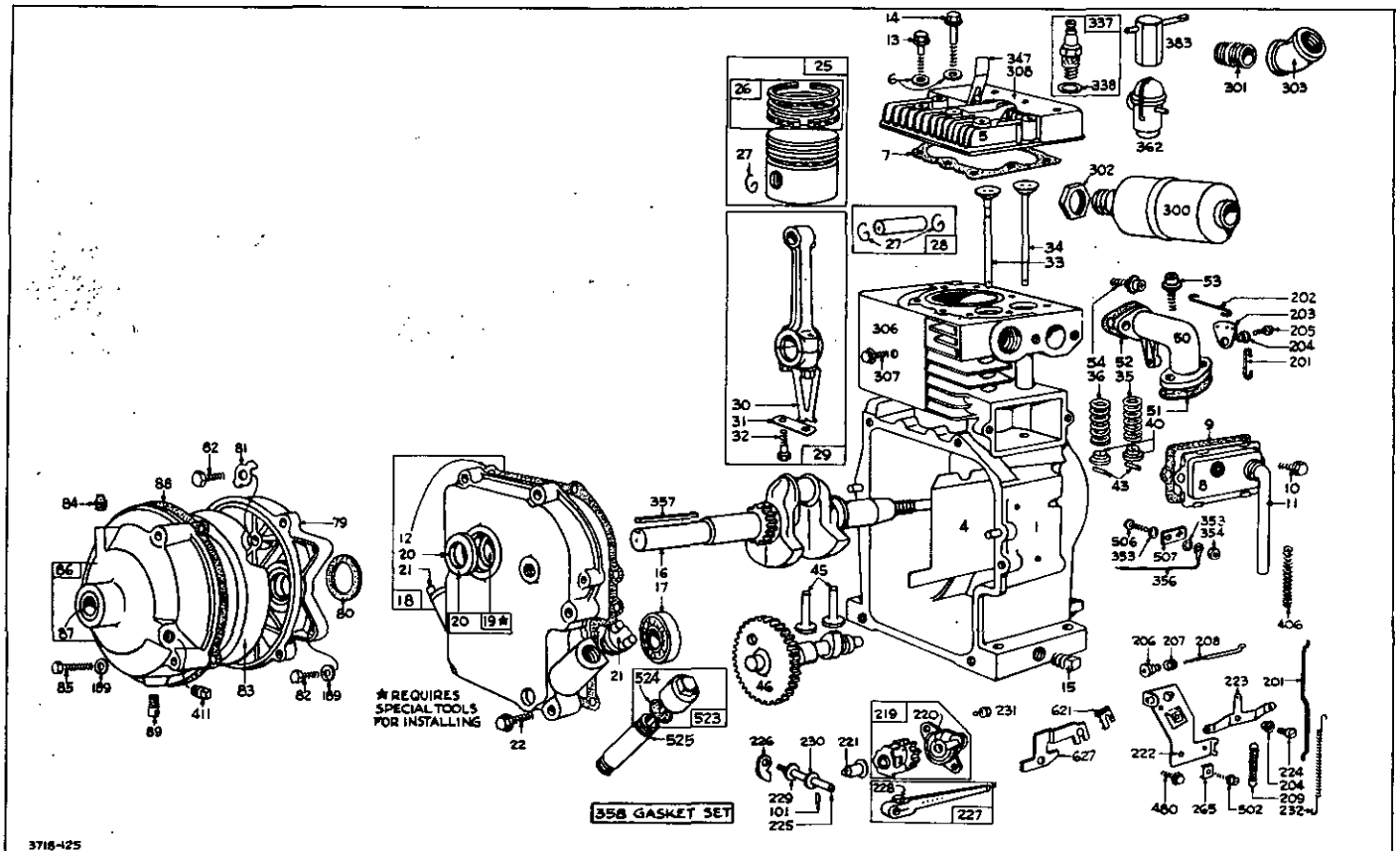
FOLLOW THE INSTRUCTIONS BELOW.

- A. Refer to Engine Model, Type and Serial Number that is stamped on the blower housing or name plate of engine. (Engine type numbers such as 500711 are listed complete. Engine type numbers such as 0147 01 are listed herein only as 0147. The two digits (01 or 02, etc.) to the right of the space are not needed for parts identification). Then use the Illustrated Parts List covering these Model Series.
- B. Refer to Illustrated Parts section and compare the old part with illustration. The number on the illustration is the Reference Number. Assemblies include all parts shown in frames. All parts shown in assembly frames on which individual reference numbers are given can be purchased separately.
- C. After the Reference Number has been identified, refer to the Numerical Parts List, where Reference and Master Part Numbers are listed. **THE MASTER PART IS USED ON ALL TYPE NUMBERS EXCEPT THOSE TYPE NUMBERS UNDER "NOTE"**
- D. If a "Note" appears below the Master Part Number, this means that this part differs from the Master Part for certain types. If the Type Number is listed under "Note", order the part referred to.
- E. If the Engine Type Number does not appear after any part number listed under "Note", use the Master Part Number.
- F. For Type Numbers higher than those covered by this book, please refer to the factory if you are unable to identify the part by comparison.

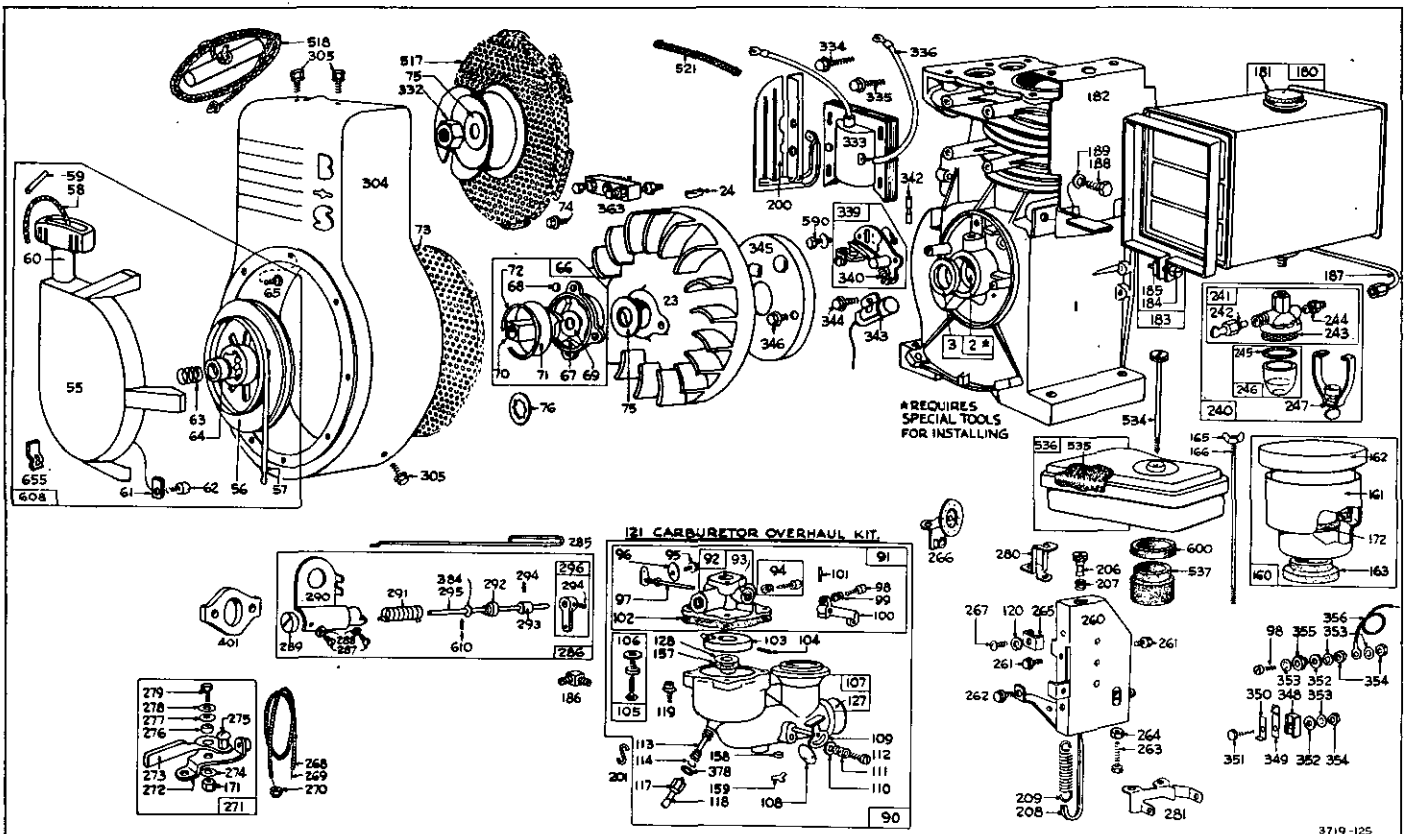
PRINTED IN U.S.A.



141300 to 141457

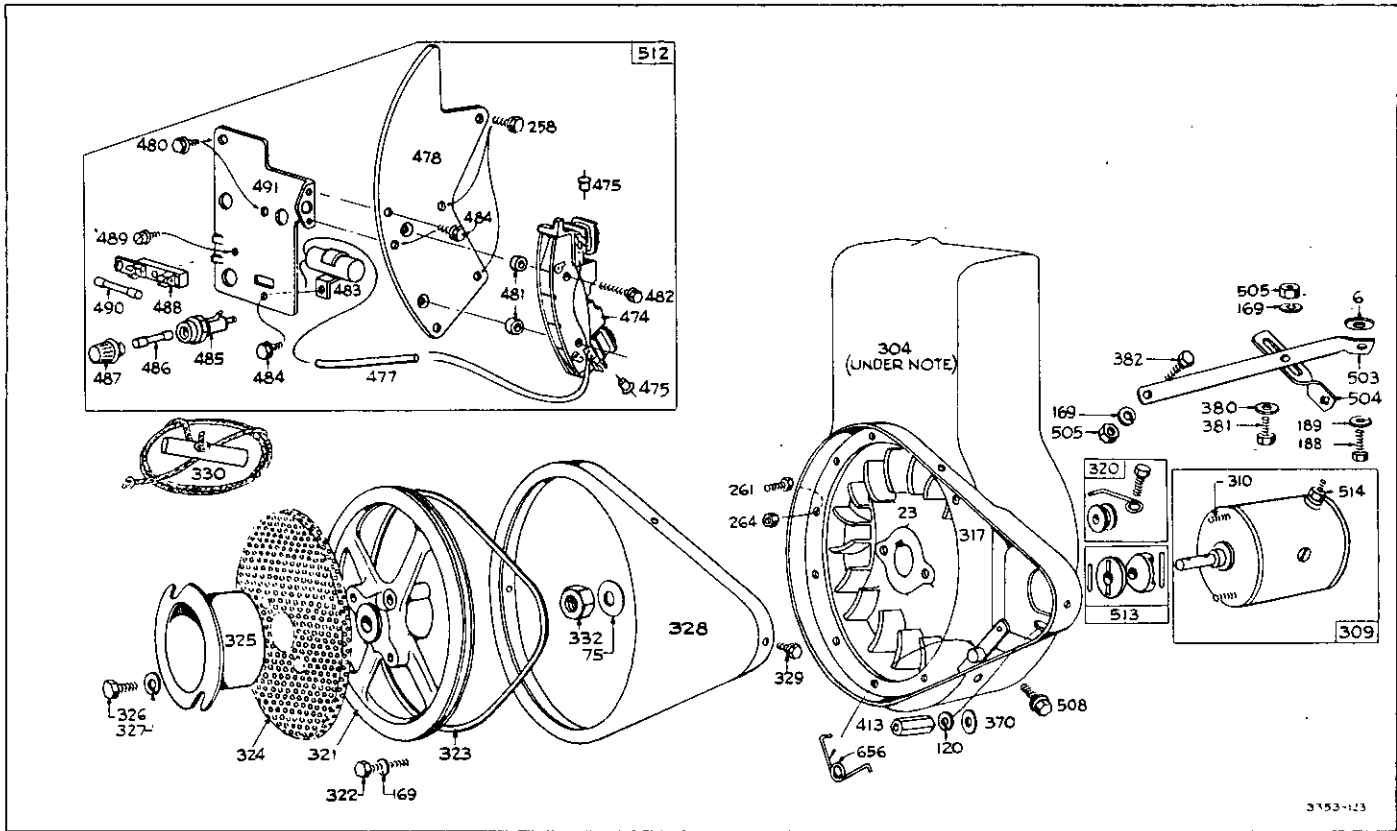


Assemblies include all parts shown in frames.

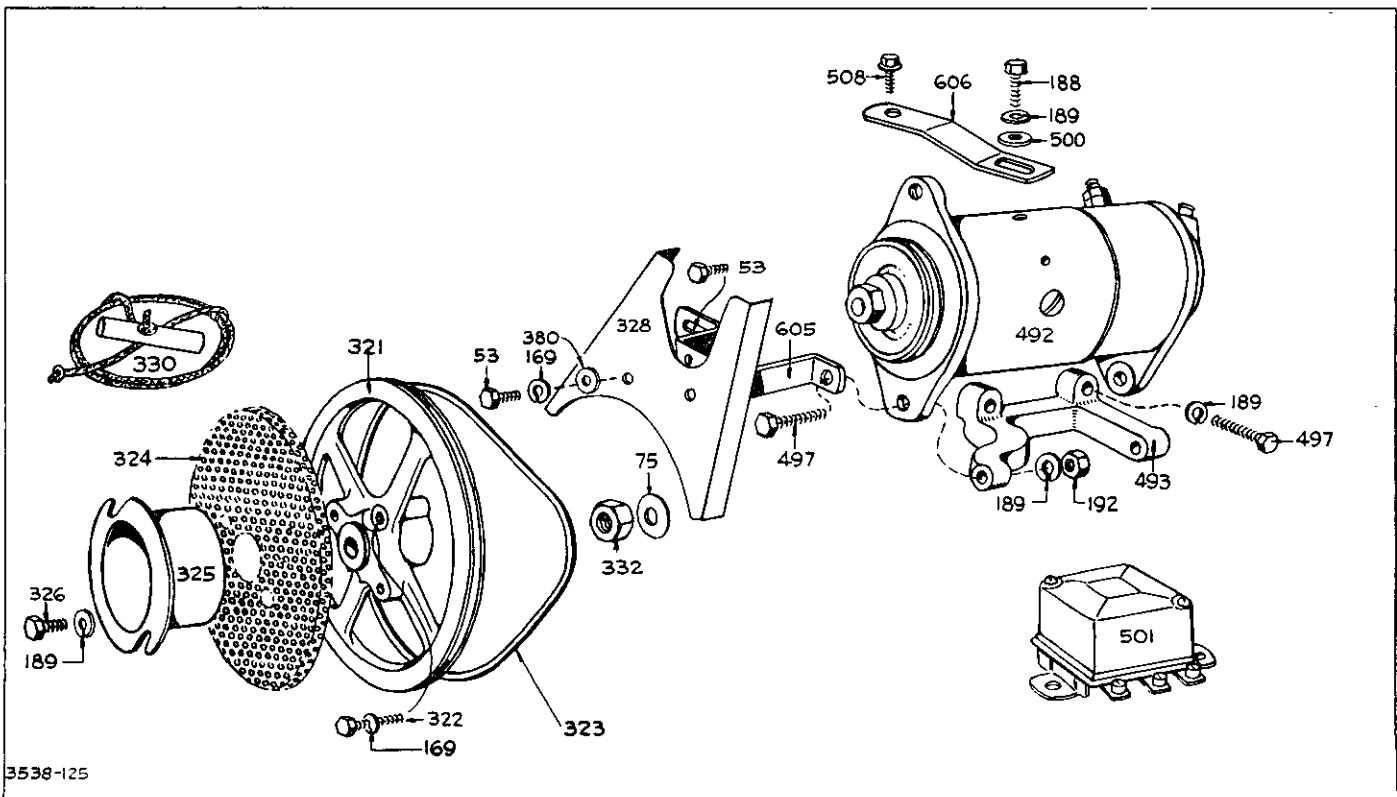


Assemblies include all parts shown in frames.

141300 to 141457



Assemblies include all parts shown in frames.



Assemblies include all parts shown in frames.

141300 to 141457

REF. NO.	PART NO.	DESCRIPTION	REF. NO.	PART NO.	DESCRIPTION	REF. NO.	PART NO.	DESCRIPTION			
1	299208	Cylinder Assembly		260389	Crankshaft		260663	Crankshaft			
2	295962	Bushing—Cylinder			Used on type Nos. 0120, 0121, 0124, 0138, 0141, 0147, 0153, 0163, 0167, 0173, 0174, 0181, 500527, 500535, 500538, 500541, 500542, 500548, 500549, 500550, 500552, 500561, 500567, 500569, 500577, 500578, 500581, 500583, 500590, 500591, 500608, 500610, 500614, 500620, 500623, 500624, 500627, 500628, 500630, 500637, 500640, 500642, 500644, 500651, 500652, 500666, 500668, 500673, 500674, 500675, 500683, 500684, 500687, 500691, 500695, 500700, 500706.		260667	Crankshaft			
	Note:	Requires special tools for installation.						Used on type Nos. 0142, 500701.			
3	294606	Seal—Oil						260729 Crankshaft			
4	221001	Plate—Cylinder Baffle						Used on type Nos. 0154, 500688.			
5	210578	Head—Cylinder									
6	22963	Washer—Plain									
7	*270340	Gasket—Cylinder Head				17	29530	Bearing—Ball			
	Note:	Two No. 270340 Cylinder Head Gaskets are used on type Nos. 0148, 0151, 0166, 0174, 0180, 500571, 500572, 500574, 500575, 500594, 500596, 500597, 500609, 500634, 500647, 500648, 500674, 500707, 500708.				18	295868	Cover Assy.—Crankcase			
8	294948	Breather Assembly					Note:	295876 Cover Assembly—Crankcase			
9	*27803	Gasket—Valve Cover						Used on type Nos. 0155, 500520, 500529, 500605, 500606.			
10	93394	Screw—Breather Mtg. Sem						295958 Cover Assembly—Crankcase			
11	67148	Tube—Breather						Used on type Nos. 0115, 0116, 0127, 0128, 0134, 0135, 0136, 0137, 0140, 0145, 0146, 0148, 0149, 0150, 0151, 0152, 0154, 0158, 0159, 0161, 0162, 0169, 0171, 0178, 0179, 500525, 500526, 500533, 500537, 500539, 500540, 500543, 500544, 500546, 500551, 500553, 500563, 500565, 500566, 500568, 500571, 500572, 500573, 500575, 500580, 500582, 500583, 500584, 500587, 500593, 500594, 500595, 500596, 500597, 500599, 500600, 500602, 500603, 500607, 500611, 500613, 500617, 500618, 500619, 500622, 500625, 500626, 500629, 500632, 500638, 500647, 500648, 500649, 500650, 500655, 500657, 500658, 500662, 500664, 500669, 500676, 500681, 500686, 500689, 500694, 500697, 500698, 500703, 500704, 500710, 500711.			
12	*27750	Gasket—Crankcase Cover—1/64" thick									
	*27876	Gasket—Crankcase Cover—.005" thick									
	*27877	Gasket—Crankcase Cover—.009" thick									
13	93210	Screw—Cylinder Head (2-9/32" long)									
14	93211	Screw—Cylinder Head (2-21/32" long)									
15	91084	Plug—Oil Drain									
16	260315	Crankshaft									
	Note:	260358 Crankshaft Used on type Nos. 0115, 0116, 0127, 0128, 0135, 0137, 0148, 500525, 500526, 500543, 500565, 500566, 500571, 500572, 500600, 500625, 500635, 500654, 500656, 500665, 500692, 500707, 500708.									
		260359 Crankshaft Used on type Nos. 0145, 0146, 0149, 0152, 0162, 0179, 500539, 500544, 500546, 500575, 500584, 500594, 500595, 500611, 500613, 500646, 500653, 500659, 500663, 500667, 500670, 500671, 500672, 500678, 500690.									
		260423 Crankshaft Used on type Nos. 0159, 500573, 500587, 500602, 500634.									
		260425 Crankshaft Used on type Nos. 0132, 0134, 0136, 0140, 0143, 0150, 0151, 0158, 0161, 0169, 0171, 0175, 0178, 500531, 500533, 500537, 500540, 500551, 500553, 500557, 500563, 500568, 500582, 500586, 500588, 500589, 500593, 500596, 500597, 500599, 500603, 500607, 500617, 500618, 500619, 500622, 500626, 500629, 500632, 500638, 500647, 500648, 500649, 500650, 500655, 500657, 500658, 500662, 500664, 500669, 500676, 500681, 500686, 500689, 500694, 500697, 500698, 500703, 500704, 500710, 500711.									
		260472 Crankshaft Used on type Nos. 0125, 0126, 0133, 500579, 500580, 500636, 500682.									
		260506 Crankshaft Used on type No. 500633.									
		260586 Crankshaft Used on type No. 500520.									
		260607 Crankshaft Used on type No. 500685.									
		260663 Crankshaft Used on type No. 0180.									
		260667 Crankshaft Used on type Nos. 0142, 500701.									
		260729 Crankshaft Used on type Nos. 0154, 500688.									
		29530 Bearing—Ball									
		295868 Cover Assy.—Crankcase									
		295876 Cover Assembly—Crankcase Used on type Nos. 0155, 500520, 500529, 500605, 500606.									
		295958 Cover Assembly—Crankcase Used on type Nos. 0115, 0116, 0127, 0128, 0134, 0135, 0136, 0137, 0140, 0145, 0146, 0148, 0149, 0150, 0151, 0152, 0154, 0158, 0159, 0161, 0162, 0169, 0171, 0178, 0179, 500525, 500526, 500533, 500537, 500539, 500540, 500543, 500544, 500546, 500551, 500553, 500563, 500565, 500566, 500568, 500571, 500572, 500573, 500575, 500580, 500582, 500583, 500584, 500587, 500593, 500594, 500595, 500596, 500597, 500599, 500600, 500602, 500603, 500607, 500611, 500613, 500617, 500618, 500619, 500622, 500625, 500626, 500629, 500632, 500633, 500634, 500635, 500638, 500646, 500647, 500648, 500649, 500650, 500653, 500654, 500655, 500656, 500657, 500658, 500659, 500662, 500664, 500665, 500667, 500669, 500670, 500671, 500672, 500678, 500681, 500686, 500688, 500689, 500690, 500692, 500694, 500697, 500698, 500703, 500707, 500708, 500711.									
		296075 Cover Assembly—Crankcase									

* Included in Gasket Set—Part No. 295970.

REF. NO.	PART NO.	DESCRIPTION	REF. NO.	PART NO.	DESCRIPTION
		Used on type Nos. 0120, 0121, 0124, 0138, 0141, 0147, 0153, 0163, 0167, 0173, 0174, 0181, 500521, 500527, 500535, 500538, 500541, 500542, 500548, 500549, 500550, 500552, 500561, 500567, 500569, 500577, 500578, 500581, 500583, 500590, 500591, 500608, 500610, 500614, 500620, 500623, 500624, 500627, 500628, 500630, 500637, 500640, 500642, 500644, 500651, 500652, 500666, 500668, 500673, 500674, 500675, 500683, 500684, 500687, 500691, 500695, 500700, 500706. 296184 Cover Assembly—Crankcase Used on type Nos. 0125, 0126, 0132, 0133, 0142, 0143, 0175, 500531, 500579, 500586, 500588, 500589, 500636, 500676, 500682, 500701, 500704, 500710. 297407 Cover Assembly—Crankcase Used on type No. 500663.			
19	295964	Bushing—Crankcase Cover Note: Requires special tools for installation.			
20	298423	Seal—Oil			
21	66768	Plug—Oil Filler			
22	93205	Screw—Crankcase Cover Mounting Sem			
23	295214	Flywheel Note: 296335 Flywheel—Magneto Used on type Nos. 0124, 0130, 0131, 500559, 500560, 500576, 500578, 500581, 500585, 500586, 500605.			
24	61760	Key—Flywheel			
25	295842	Piston Assy.—Standard			
	295846	Piston Assembly— .010" O.S.			
	295848	Piston Assembly— .020" O.S.			
	295850	Piston Assembly— .030" O.S.			
			PISTON RING SETS:		
					295851 Ring—Piston, Oil, .030" O.S. (w/expander)
26	295852	Ring Set—Piston—Std. Consists of: 210703 Ring—Piston, Comp., Top, Standard 210601 Ring—Pstn., Comp., Center, Std. 295843 Ring—Piston, Oil, Standard (w/expander)	27	68546	Lock—Piston Pin
		295853 Ring Set—Piston— .010" O.S. Consists of: 210889 Ring—Piston, Comp., Top, .010" O.S. 210890 Ring—Pstn., Comp., Center .010" O.S. 295847 Ring—Piston, Oil, .010" O.S. (w/expander)	28	295840	Pin Assembly—Standard
		295854 Ring Set—Piston— .020" O.S. Consists of: 210893 Ring—Piston, Comp., Top, .020" O.S. 210894 Ring—Pstn., Comp., Center .020" O.S. 295849 Ring—Piston, Oil, .020" O.S. (w/expander)	29	295838	Rod Assy.—Connecting
		295855 Ring Set—Piston— .030" O.S. Consists of: 210897 Ring—Piston, Comp., Top, .030" O.S. 210898 Ring—Pstn., Comp., Center .030" O.S.	30	220837	Dipper—Connecting Rod
			31	220811	Lock—Conn. Rod Screw
			32	92659	Screw—Connecting Rod
			33	230385	Valve—Exhaust Note: 260444 Valve—Exhaust Used on type Nos. 0132, 0164, 0171, 500533, 500542, 500598, 500602, 500626, 500656, 500667, 500669, 500671, 500676, 500678, 500686, 500687, 500690, 500704, 500706, 500711.
			34	230386	Valve—Intake Note: 230385 Valve—Intake Used on type Nos. 0132, 0164, 0171, 500533, 500542, 500598, 500602, 500626, 500656, 500667, 500669, 500671, 500676, 500678, 500686, 500687, 500690, 500704, 500706, 500711.
			35	65906	Spring—Intake Valve
			36	65906	Spring—Exhaust Valve Note: 26828 Spring—Exhaust Valve Used on type Nos. 0132, 0164, 0171, 500533, 500542, 500598, 500602, 500626, 500656, 500667, 500669, 500671, 500676, 500678, 500686, 500687, 500690, 500704, 500706, 500711.
			40	230477	Retainer—Valve Spring Note: 292260 Rotocap—Exhaust Valve Used on type Nos. 0132, 0164, 0171, 500533, 500542, 500598, 500602, 500626, 500656, 500667, 500669, 500671, 500676, 500678, 500686, 500687, 500690, 500704, 500706, 500711.

141300 to 141457

REF. NO.	PART NO.	DESCRIPTION	REF. NO.	PART NO.	DESCRIPTION	REF. NO.	PART NO.	DESCRIPTION
43	230476	Pin—Valve Spring Ret. Note: 230570 Pin—Ex. Valve Rotocap Retainer 230569 Retainer—Exhaust Valve Rotocap Used on type Nos. 0132, 0164, 0171, 500533, 500542, 500598, 500602, 500626, 500656, 500667, 500669, 500671, 500676, 500678, 500686, 500687, 500690, 500704, 500706, 500711.	70	296916	Ratchet—Rewind Starter Clutch			0140, 0155, 0157, 0160, 0163, 0164, 0165, 0170, 0177, 0178, 500520, 500528, 500529, 500534, 500536, 500537, 500538, 500545, 500549, 500550, 500551, 500552, 500553, 500555, 500556, 500558, 500559, 500561, 500563, 500568, 500576, 500577, 500578, 500580, 500598, 500601, 500604, 500605, 500606, 500615, 500625, 500629, 500638, 500639, 500643, 500654, 500655, 500661, 500675, 500679, 500685, 500691, 500693, 500694, 500697, 500700, 500702.
45	260125	Tappet—Valve	71	221301	Washer—Retainer (with flange) (Used in clutches with square shaft ratchet) Note: 220575 Washer—Retainer Used in clutches with 7 point ratchet.			
46	210728	Gear—Cam	72	26032	Ring—Clutch Retainer			
50	210756	Elbow—Intake	73	220823	Screen—Rewind Starter			
51	◆*68987	Gasket—Intake Elbow	74	93042	Screw—Rotating Screen Mounting Sem			
52	*27828	Gasket—Intake Elbow Mtg.	75	220865	Washer—Spring			
53	93329	Screw—Sem Note: 93158 Screw—Sem Used on type Nos. 0132, 0170, 500704 to mount Belt Guard to Bracket.	76	66688	Washer—Ratchet Sealing (Used with 7 point shank ratchet)			
54	93208	Screw—Intake Elbow Mtg. Sem Note: 92684 Screw—Intake Elbow Mounting 90832 Washer—Lock—1/4 x 3/32 x 5/64" Used on type Nos. 0132, 500659, 500704.	79	296179	Case Assembly—Gear			
55	295272	Housing—Rewind Starter	80	27884	Gasket—Gear Case to Crankcase Cover			296183 Carburetor Assy. (Mechanical Governor—Manual Choke) (Used on Model 141400 Series)
56	295871	Pulley—Rewind Starter	81	220234	Lock—Gear Case Mounting Screw			
57	294303	Spring—Rewind Starter	82	92502	Screw—Cap			
58	66564	Rope—Rewind Starter (63" long) Note: If longer rope is needed, order No. 66574 and cut to required length.	83	296052	Shaft Assembly—Drive Note: 296298 Shaft Assy.—Drive Used on type Nos. 0141, 500549, 500644, 500666, 500675, 500695, 500700, 500706.			296555 Carburetor Assy. (Kerosene) Used on type Nos. 0148, 0151, 0166, 0174, 0180, 500571, 500572, 500574, 500596, 500597, 500609, 500634, 500647, 500674, 500707, 500708.
59	230228	Pin—Starter Grip	84	92617	Plug—Breather			
60	66728	Grip—Starter Rope	85	91386	Screw—Gear Case Cover Mounting			296556 Carburetor Assy. (Kerosene—Mechanical Governor)
61	66918	Bumper—Starter Pulley	86	296053	Cover Assy.—Gear Case			Used on type Nos. 500575, 500594.
62	93254	Screw—Pulley Bumper Mounting Sem	87	298423	Seal—Oil			297136 Carburetor Assy. (Kerosene—Manual Choke) Used on type No. 500648
63	260414	Spring—Ratchet	88	27328	Gasket—Gear Case Cover			297228 Carburetor Assy. (Automatic Choke—Mechanical Governor) Used on type Nos. 0132, 500659, 500672, 500676, 500704.
64	230543	Adapter—Ratchet Spring	89	91488	Plug—Oil Drain			
65	93163	Screw—Rewind Starter Housing Mounting Sem	90	295873	Carburetor Assembly (Manual Choke) Carburetor No. 295873 is used on Model 141300 Series engines except as follows: Note: 295884 Carburetor Assy. (Choke-A-Matic) Used on type Nos. 0129, 0131, 0134, 0158, 0161, 500516, 500521, 500522, 500524, 500557, 500560, 500562, 500564, 500603, 500614, 500621, 500626, 500627, 500681, 500684, 500698. 295945 Carburetor Assy. (Manual Choke) Used on type Nos. 0130,			297321 Carburetor Assy. (L. P. Gas) Used on type Nos. 0136, 500657, 500658, 500711.
66	295684	Clutch Assy.—Rewind Starter						298006 Carburetor Assy. (Man. Choke—Mech. Gov.) Used on type Nos. 0142, 500690, 500701.
67	210400	Housing—Rewind Starter Clutch						
68	63770	Ball—Clutch						
69	66718	Washer—Starter Clutch, Thrust						

* Included in Gasket Set—Part No. 295970.

◆ Included in Carburetor Overhaul Kit—Part No. 291691.

141300 to 141457

REF. PART NO.	PART NO.	DESCRIPTION	REF. PART NO.	PART NO.	DESCRIPTION	REF. PART NO.	PART NO.	DESCRIPTION
91	295875	Body Assy.—Carburetor (Used on Model 141300 Series) Note: 295531 Body Assembly—Upper Carburetor (Used on Model 141400 Series)			Used on type Nos. 0132, 500659, 500672, 500676, 500704.			500534, 500536, 500537, 500538, 500545, 500549, 500550, 500551, 500552, 500553, 500555, 500556, 500558, 500559, 500561, 500563, 500568, 500576, 500577, 500578, 500580, 500598, 500601, 500604, 500605, 500606, 500615, 500625, 500629, 500638, 500639, 500643, 500648, 500654, 500655, 500661, 500675, 500679, 500685, 500690, 500691, 500693, 500694, 500697, 500700, 500701, 500702.
92	99634	Body—Upper Carburetor	108	220897	Valve—Choke Note: 22050 Valve—Choke Used on type Nos. 0129, 0130, 0131, 0134, 0140, 0142, 0155, 0157, 0158, 0160, 0161, 0163, 0164, 0165, 0170, 0177, 0178, 500516, 500520, 500521, 500528, 500529, 500534, 500536, 500537, 500538, 500545, 500549, 500550, 500551, 500552, 500553, 500555, 500556, 500557, 500558, 500559, 500560, 500561, 500562, 500563, 500564, 500568, 500576, 500577, 500578, 500580, 500598, 500601, 500603, 500604, 500605, 500606, 500614, 500615, 500621, 500625, 500626, 500627, 500629, 500638, 500639, 500643, 500648, 500654, 500655, 500661, 500675, 500679, 500681, 500684, 500685, 500690, 500691, 500693, 500694, 500697, 500698, 500700, 500701, 500702.			297225 Shaft, Lever and Vane Assembly—Automatic Choke Uses: 291040 Lever and Weight Assembly Includes: 90200 Screw (for mounting) Used on type Nos. 0132, 500659, 500672, 500676, 500704.
93	23230	Bushing—Throttle Shaft				110	220899	Washer—Choke Lever Note: 22062 Washer—Choke Lever Used on type Nos. 0130, 0140, 0142, 0155, 0157, 0160, 0162, 0163, 0164, 0165, 0170, 0177, 0178, 500520, 500528, 500529, 500534, 500536, 500537, 500538, 500545, 500549, 500550, 500551, 500552, 500553, 500555, 500556, 500558, 500559, 500561, 500563, 500568, 500576, 500577, 500578, 500580, 500598, 500601, 500604, 500605, 500606, 500615, 500620, 500625, 500629, 500638, 500639, 500643, 500648, 500654, 500655, 500661, 500675, 500679, 500681, 500684, 500685, 500690, 500691, 500693, 500694, 500697, 500698, 500700, 500701, 500702.
94	†292681	Valve Assembly—Carburetor Idle	109	294874	Shaft and Lever—Choke (Manual) Note: 295574 Shaft Assembly—Choke (Choke-A-Matic) Used on type Nos. 0129, 0131, 0134, 0158, 0161, 500516, 500521, 500522, 500524, 500557, 500560, 500562, 500564, 500603, 500614, 500621, 500626, 500627, 500681, 500684, 500698. 295702 Shaft Assembly—Choke (Manual) Used on type Nos. 0130, 0140, 0142, 0155, 0157, 0160, 0163, 0164, 0165, 0170, 0177, 0178, 500520, 500528, 500529,			61967 Stop—Throttle (Used on Model 141400 Series)
95	93038	Screw—Throttle and Choke Valve Mtg. Sem						26229 Spring—Choke Lever Note: 260396 Spring—Choke Return (Choke-A-Matic) Used on type Nos. 0129, 0131, 0134, 0158, 0161,
96	22036	Valve—Throttle						
97	295464	Shaft and Lever—Throttle (Used on Model 141300 Series) 295448 Shaft and Lever—Throttle (Used on Model 141400 Series)						
98	91920	Screw—Machine, Fil. Hd. 8-32 x 5/8"						
99	26157	Spring—Throttle Adjustment						
100	295804	Stop—Throttle (Used on Model 141300 Series) Note: 61967 Stop—Throttle (Used on Model 141400 Series)						
101	93043	Pin—Throttle Stop and Governor Shaft						
102	27917	Gasket—Carburetor Body						
103	293477	Float—Carburetor						
104	†23114	Pin—Float Hinge						
105	♦293478	Valve and Seat—Fuel Inlet						
106	68877	Gasket—Fuel Inlet Valve Seat						
107	295874	Body Assembly—Lower Carburetor Note: 295885 Body Assembly—Lower Carburetor (Choke-A-Matic) Used on type Nos. 0129, 0131, 0134, 0158, 0161, 500516, 500521, 500522, 500524, 500557, 500560, 500562, 500564, 500603, 500614, 500621, 500626, 500627, 500681, 500684, 500698. 297489 Body Assembly—Lower Carburetor						

* Included in Gasket Set—Part No. 295970.

† Included in Carburetor Overhaul Kit—Part No. 295938.

♦ Included in Carburetor Overhaul Kit—Part No. 291691.

141300 to 141457

REF. PART NO.	PART NO.	DESCRIPTION	REF. PART NO.	PART NO.	DESCRIPTION	REF. PART NO.	PART NO.	DESCRIPTION
		500516, 500521, 500522, 500524, 500557, 500560, 500562, 500564, 500603, 500614, 500621, 500626, 500627, 500681, 500684, 500698.			Uses: 22907 Support—Upper Fuel Tank Used on type Nos. 0132, 500549, 500649, 500686, 500687, 500704. 291513 Tank Assembly—Combination Fuel	184	91257	Screw—Machine, Fil. Hd.—1/4-20 x 1-1/2"
112	23270	Screw—Choke Lever			Uses: 22907 Support—Upper Fuel Tank	185	90970	Nut—Square—1/4-20
113	23222	Nozzle—Carburetor			220863 Washer—Spacer (Used between one boss on cyl. head and tank bracket)	186	53029	Connector—Fuel Pipe Note: 67218 Connector—Fuel Pipe (Plastic)
114	68887	Packing—Needle Valve			Used on type Nos. 0142, 500704.			230318 Connector Used on type Nos. 0132, 0155, 0170, 500522, 500700.
117	*23227	Nut—Needle Valve Packing			292415 Tank Assy.—Fuel (8 quart)	187	295467	Pipe—Fuel (Used on Model 141300 Series) Note: 295901 Pipe—Fuel Used on Model 141400 Series and on type Nos. 0115, 0116, 0120, 0121, 0125, 0126, 0127, 0128, 0134, 0138, 0140, 0141, 0143, 0144, 0145, 0146, 0147, 0149, 0150, 0152, 0153, 0154, 0158, 0159, 0161, 0162, 0163, 0167, 0168, 0171, 0175, 0178, 0179, 0181, 500520, 500525, 500527, 500529, 500533, 500535, 500537, 500538, 500540, 500541, 500542, 500543, 500548, 500550, 500551, 500552, 500553, 500557, 500561, 500563, 500565, 500567, 500568, 500569, 500573, 500577, 500580, 500582, 500583, 500587, 500591, 500592, 500593, 500599, 500600, 500602, 500603, 500608, 500614, 500617, 500623, 500624, 500625, 500627, 500628, 500629, 500630, 500632, 500635, 500637, 500638, 500640, 500641, 500642, 500644, 500649, 500650, 500651, 500652, 500654, 500655, 500656, 500664, 500667, 500668, 500669, 500673, 500675, 500681, 500684, 500691, 500694, 500695, 500697, 500698, 500706.
118	230005	Valve—Needle Note: 292088 Valve—Needle Used on type Nos. 0148, 0151, 0166, 0174, 0180, 500571, 500572, 500574, 500575, 500594, 500596, 500597, 500609, 500634, 500647, 500648, 500674, 500707, 500708.			292415 Tank Assy.—Fuel (8 quart) Uses: 22907 Support—Upper Fuel Tank Used on type No. 500657.			
119	93347	Screw—Throttle Housing Mounting Sem	181	69221	Cap—Fuel Tank (Screw-on type) Note: 69961 Cap—Fuel Tank (Bayonet type) Used on engines before Serial No. 19401.			
120	92290	Washer—Lock—No. 10 x 1/16" x 3/64"			182	220858	Bracket—Fuel Tank Note: 296511 Brkt.—Fuel Tank Used on type Nos. 0124, 0130, 0131, 0133, 0137, 500514, 500558, 500559, 500560, 500576, 500578, 500581, 500585, 500586, 500605, 500606, 500676, 500682, 500690, 500692.	
121	291691	Carb. Overhaul Kit			183	291367	Strap Assy.—Fuel Tank Note: 291490 Strap Assembly—Fuel Tank Used on type Nos. 0132, 0148, 0151, 0166, 0174, 0180, 500549, 500571, 500572, 500574, 500575, 500594, 500596, 500597, 500609, 500634, 500647, 500648, 500649, 500674, 500686, 500687, 500704, 500707, 500708.	
127	220352	Plug—Welch						
128	210811	Venturi—Carburetor						
157	27840	Gasket—Venturi						
158	27590	Filter—Carburetor Drain						
159	220521	Retainer—Carburetor Drain Filter						
160	294868	Cleaner Assembly—Air						
161	293991	Bowl—Air Cleaner						
162	294863	Cover and Filter—Air Cleaner						
163	*27660	Gasket—Air Cleaner Mtg.						
165	92067	Nut—Wing						
166	63949	Stud—Air Cleaner Note: 93323 Screw—Air Cleaner Used on type No. 0167.						
169	90832	Washer—Lock, 1/4" x 3/32" x 5/64"						
171	92129	Nut—Hex.—1/4-28						
172	27795	Gasket—Air Cleaner						
180	290816	Tank Assy.—Fuel (4 quart) Note: Fuel Tank used on type Nos. 0135, 0142, 500513, 500522, 500626, 502657, 500658, 500659, 500701, 500711 is furnished by the equipment manufacturer. 291488 Tank Assembly—Fuel (6 quart)						
								296004 Pipe—Fuel (Flexible)

* Included in Gasket Set—Part No. 295970.

† Included in Carburetor Overhaul Kit—Part No. 295938.

◆ Included in Carburetor Overhaul Kit—Part No. 291691.

141300 to 141457

REF. NO.	PART NO.	DESCRIPTION	REF. NO.	PART NO.	DESCRIPTION	REF. NO.	PART NO.	DESCRIPTION
		Used on type Nos. 0132, 0170, 500522, 500700, 500704.	206	230533	Nut—Gov. Control Rod (Used on Model 141300 Series)	231	93064	Screw—Governor Housing to Crankcase Cover Mounting Sem
		296225 Pipe—Fuel		Note:	230149 Nut—Governor Control Rod	232	260178	Spring—Governor Link
		Used on type No. 500558.			Used on Model 141400 Series and on type Nos. 500529, 500552, 500553.	240	99910	Filter Assembly—Fuel
		296469 Pipe—Fuel			230580 Guide—Stop		Note:	293964 Filter Assy.—Fuel
		Used on type Nos. 0124, 0130, 0131, 0133, 0137, 500514, 500558, 500559, 500560, 500576, 500578, 500581, 500585, 500586, 500605, 500606, 500682, 500690, 500692.			230253 Stop—Control Rod (7/8" long)			Used on type Nos. 0124, 0130, 0131, 0133, 0137, 0173, 500514, 500558, 500559, 500560, 500576, 500578, 500581, 500585, 500586, 500590, 500605, 500606, 500676, 500682, 500690, 500692.
		296531 Pipe—Fuel (carburetor to filter)			93266 Fastener			295984 Filter Assy.—Fuel
		89248 Pipe—Fuel (between filters)	207	26855	Spring—Gov. Control Rod			Uses: 91635 Nipple (To connect filter to tank)
		92655 Tee	208	230460	Rod—Governor Control (Used on Model 141300 Series only)			Used on type Nos. 0155, 500522, 500700.
		The above fuel pipes and fitting are used on type Nos. 0148, 0151, 0166, 0174, 0180, 500571, 500572, 500574, 500575, 500594, 500596, 500597, 500609, 500634, 500647, 500648, 500674, 500707, 500708.		Note:	230499 Rod—Gov. Control			296031 Filter Assy.—Fuel (at carburetor)
		296661 Pipe—Fuel			Used on type Nos. 500529, 500552, 500553.			Used on type No. 500704.
		Used on type Nos. 0136, 500657, 500658, 500711.			230559 Rod—Gov. Control (Used on Model 141400 Series)			297563 Outlet—Fuel Tank (less filter)
		297074 Pipe—Fuel	209	260321	Spring—Governor (Used on Model 141300 Series)			Includes: 293934 Shut-Off Valve
		Used on type Nos. 0173, 500590.		Note:	260421 Spring—Governor			230318 Connector—Fuel Pipe (opposite shut-off valve)
		297703 Pipe—Fuel			Used on type Nos. 0136, 500520, 500657, 500658, 500711.			Used as a combination to replace tank outlet and fitting assembly on type Nos. 0132, 0170, 500704.
		Used on type No. 500676.			260546 Spring—Mech. Governor (Used on Model 141400 Series)			298090 Filter—Fuel (In Fuel Pipe)
188	92272	Screw—Cap, Hex. Hd.—5/16-18 x 3/4"		Note:	260547 Spring Governor			Used on type Nos. 0132, 0170, 500704.
189	90366	Washer—Lock, 5/16 x 1/8 x 1/16"	219	296688	Governor Housing and Gear Assembly			
192	91397	Nut—Hex.—5/16-18	220	221361	Washer—Thrust (.030" thick)			
200	295844	Blade—Governor		Note:	220673 Washer—Thrust (1/16" thick)	241	99909	Cover Assembly—Fuel
	Note:	221148 Guide—Air (Used on Model 141400 Series)			Cup—Governor		Note:	21145 Cover—Fuel Filter
201	260387	Link—Governor (Used on Model 141300 Series)	221	230177	Bracket—Mech. Governor			Uses: 91635 Nipple (Between carb. elbow and filter cover)
	Note:	260456 Link—Governor (Used on Model 141400 Series)	222	221144	Lever—Governor Control			Used on type No. 500704.
202	260388	Link—Governor	223	221145	Screw—Machine, Fil. Hd.—6-32 x 1/4"			293966 Cover Assembly—Fuel Filter
203	221052	Crank—Bell	224	91841	Shaft—Governor Lever			Used on type Nos. 0124, 0130, 0131, 0133, 0137, 0173, 500514, 500558, 500559, 500560, 500576,
204	230117	Collar	225	230526	Follower—Gov. Crank			
205	92722	Screw—Bell Crank Mtg.	226	220381	Lever Assy.—Governor			
			227	296087	Screw—Governor Lever			
			228	93100	Washer—Thrust			
			229	220680	Washer—Spacer			
			230	22826				

141300 to 141457

REF. NO.	PART NO.	DESCRIPTION	REF. NO.	PART NO.	DESCRIPTION	REF. NO.	PART NO.	DESCRIPTION
		500578, 500581, 500585, 500586, 500590, 500605, 500606, 500676, 500682, 500690, 500692.			500639, 500643, 500648, 500654, 500655, 500661, 500675, 500679, 500685, 500691, 500693, 500694, 500697, 500700, 500702.	288	90362	Washer—Lock— No. 6 x 3/64 x 1/32"
		296005 Cover Assembly— Fuel Filter				289	23886	Support—Thermostat Shaft (outer)
		Used on type Nos. 0155, 500522, 500700.	261	93105	Screw—Sem	290	296837	Bracket and Tube
242	295913	Valve—Fuel Shut-Off	262	93394	Screw—Sem (Speed Control Housing Bracket to Carb.) (Used on Model 141300 Series only)	291	26594	Thermostat
	Note:	293934 Valve—Fuel Shut-Off				292	23885	Support—Thermostat Shaft (inner)
		Used with tank outlet 297563.	263	93223	Screw—Stop	293	23884	Stop—Thermostat Shaft
		Outlet (see Ref. No. 240 under note) on type Nos. 0132, 0170, 500704.	264	90355	Nut—Hex. —10-32	294	92678	Screw—Set, Socket Head— 6-32 x 5/16"
243	22547	Screen—Fuel Filter	265	22372	Clamp—Casing	295	230624	Shaft—Thermostat
	Note:	62876 Screen—Fuel Filter		Note:	221534 Clamp—Casing	296	291044	Lever Assy.—Thermostat
		Used on type No. 500704.			Used on type No. 500701.	300	294599	Muffler—Exhaust
244	53029	Connector—Fuel Pipe	266	290062	Control—Throttle (at carburetor)		Note:	89953 Muffler—Exhaust Used on type Nos. 0145, 500577, 500578, 500690.
	Note:	63377 Connector	267	90080	Screw—Machine, Rd. Hd.— 10-32 x 7/16"			296371 Muffler—Exhaust Used on type Nos. 500672, 500676.
		Used on type Nos. 0124, 0130, 0131, 0132, 0133, 0137, 0173,	268	65616	Casing—Control Wire— 72" long	301	91245	Nipple—Exhaust
		500514, 500558, 500559, 500560, 500576, 500578, 500581, 500585, 500586, 500590, 500605, 500606, 500676, 500682, 500690, 500692.		Note:	If longer casing is required, specify length in inches; if shorter wire is needed, order No. 65616 and cut to required length.	302	91242	Locknut—Muffler and Elbow
		230318 Connector—Fuel Pipe (plastic)	269	26633	Wire—Control—78" long	303	91246	Elbow—Muffler—45 degree
		Used on type Nos. 0132, 0155, 0170, 500522, 500700, 500704.		Note:	If longer wire is required, specify length in inches; if shorter wire is needed, order No. 26633 and cut to required length.		Note:	91205 Elbow—Muffler, 90 degree Used on type Nos. 0132, 500704.
245	*68477	Gasket—Fuel Filter Bowl	270	63426	Locknut—Control Wire Casing			91219 Elbow—Muffler, 45 degree, Street Used on type Nos. 0143, 0157, 0163, 0177, 500524, 500528, 500534, 500555, 500588, 500621, 500661, 500675, 500684, 500691, 500693, 500700.
246	298683	Bowl—Fuel Filter	271	290568	Lever Assy.—Control			91464 Elbow—Muffler, 90 degree, Street Used on type Nos. 0139, 0140, 0142, 0156, 0160, 0170, 0178, 500524, 500570, 500577, 500578, 500580, 500614, 500621, 500629, 500639, 500662, 500677, 500689, 500696, 500697, 500699, 500701, 500702.
247	99665	Yoke—Fuel Filter	272	290584	Base—Control Wire			
248	93062	Screw—Sem	273	290642	Lever—Control			
260	295756	Housing—Speed Control	274	91237	Washer—Lock— 1/4 x 3/32 x 5/64"			
	Note:	296039 Housing—Speed Control	275	92287	Screw—Machine, Rd. Hd.— 10-32 x 1/4"			
		Used on type Nos. 0130, 0155, 0157, 0160, 0163, 0165, 0170, 0177, 500520, 500528, 500529, 500534, 500536, 500537, 500538, 500545, 500549, 500550, 500551, 500552, 500553, 500555, 500558, 500559, 500561, 500563, 500568, 500576, 500577, 500578, 500580, 500601, 500604, 500605, 500615, 500625, 500629, 500638,	276	22834	Washer—Spacer			
			277	22368	Washer—Control Lever			
			278	22725	Washer—Control Lever			
			279	92306	Screw—Cap, Hex. Hd.— 1/4-28 x 5/8"			
			280	221084	Strap—Speed Control			
			281	221090	Bracket—Top Speed Control Mounting (Used on Model 141300 Series)			
			285	26684	Link—Automatic Choke			
			286	296838	Thermostat Assembly			
			287	90050	Screw—Machine, Rd. Hd.— 6-32 x 1/4"			
						304	294605	Housing—Blower
							Note:	221464 Housing—Blower Uses: 221264 Plate— Baffle 93166 Screw— Baffle Plate Mounting (3) Used on type Nos. 500659, 500672.

* Included in Gasket Set—Part No. 295970.

REF. NO.	PART NO.	DESCRIPTION	REF. NO.	PART NO.	DESCRIPTION	REF. NO.	PART NO.	DESCRIPTION
		296012 Housing—Blower When ordering this blower housing, order No. 297415 screw and nut kit also, to remount the belt guard. Used on type Nos. 0133, 0136, 0137, 500514, 500558, 500626, 500658, 500682, 500690, 500692, 500711.	307	93163	Screw—Cylinder Shield Mounting Sem			Uses: 295179 Shielding Sleeve—Ignition Cable
		296454 Housing—Blower When ordering this blower housing, order No. 297415 screw and nut kit also, to remount the belt guard. Used on type Nos. 0124, 0130, 0131, 500559, 500560, 500576, 500578, 500581, 500585, 500586, 500605.	308	220824	Cover—Cylinder Head			66298 Bushing—Ignition Cable
		297127 Housing—Blower Used on type No. 500520.		Note:	221153 Cover—Cyl. Head Used on type Nos. 0145, 0146, 0149, 0152, 0164, 0179, 500523, 500539, 500546, 500563, 500568, 500575, 500584, 500594, 500595, 500611, 500613, 500633, 500643, 500653, 500663, 500670, 500672.			92704 Terminal—Ignition Cable
		297188 Housing—Blower Used on type No. 0170.	309	296122	Motor—Electric Starter (12 volt) (Electric Auto-Lite No. Med 4001) For Service on these motors see your nearest "Authorized Auto-Lite Service Station"			Used on type Nos. 500598, 500678.
		297189 Housing—Blower Used on type Nos. 0112, 0135, 500665.	310	93268	Bolt—Case			297320 Armature Assy. Used on type Nos: 0136, 500657, 500658, 500711.
		297734 Housing—Blower Uses: 221264 Plate—Baffle	311	296013	Bracket—Starter			
		93166 Screw—Plate Mounting (3) Used on type No. 500676.	312	297162	Pulley—Idler			
		298214 Housing—Blower Uses: 221264 Plate—Baffle	321	210961	Pulley—Electric Starter			
		93166 Screw—Plate Mtg. (3) Used on type Nos. 0132, 500704.	321A	210899	Pulley—Vee Belt			
			322	90931	Screw—Cap, Hex. Hd.—1/4-20 x 2-1/4"			
				Note:	92636 Screw—Cap, Hex. Hd.—1/4-20 x 2"			Note: 296010 Cable—Ignition Used on type Nos. 500523, 500539, 500546, 500563, 500568, 500575, 500584, 500594, 500611, 500613, 500633, 500643, 500653, 500663, 500670, 500672.
			323	67318	Belt—Vee			296236 Cable—Ignition Used on type No. 500642.
			323A	68588	Belt—Vee Used after Serial No. 6503171.			337
				Note:	66828 Belt—Vee Used before Serial No. 6503181.			29693
			325	221400	Pulley and Screen—Starter			Note: 292519 Plug—Spark Used on type Nos. 500598, 500678.
			326	90681	Screw—Cap, Hex. Hd.—5/16-18 x 5/8"			293918 Plug—Spark Used on type Nos. 0154, 500688, 502925, 502941.
			327	93188	Washer—Lock, 5/16 x 3/32 x 5/64"			338
			328	221122	Guard—Belt			29806
			328A	221447	Guard—Belt			339
			329	93246	Screw—Belt Guard Mounting Sem			29667
			330	29878	Rope—Starter			26018
			332	92284	Nut			65704
			333	296834	Armature Assembly			342
				Note:	296703 Armature Assy.			343
305	93158	Screw—Sem						29861
	Note:	92666 Screw—Cap, Hex. Hd.—1/4-20 x 1/2"						344
		92778 Washer—Lock—Shakeproof						93370
		Used on type Nos. 500598, 500678.						Screw—Condenser—Mounting Sem
		93294 Screw—Blower Hsg. Mounting Sem Used on type Nos. 500558, 500711.						345
306	221005	Shield—Cylinder						221046
								93014
								Screw—Breaker Point Cover Mounting Sem
								347
								221808
								Note: 293739 Switch—Stop Used on type Nos. 500592, 500608, 500638.
								348
								67118
								Block—Stop Switch
								349
								221077
								Blade—Switch
								350
								221078
								Clamp—Switch Blade
								351
								93218
								Screw—Stop Switch

141300 to 141457

REF. NO.	PART NO.	DESCRIPTION	REF. NO.	PART NO.	DESCRIPTION	REF. NO.	PART NO.	DESCRIPTION
352	66068	Washer—Insulating	482	93234	Screw—Armature Mtg. Sem	524	65304	Gasket—Oil Filler
353	92791	Washer—Lock—Shakeproof	483	296266	Capacitor (Condenser)	525	230553	Pipe—Oil Filler
354	90576	Nut—Hex. —8-32	484	93166	Screw—Self Tapping, Hex. Hd., Sem	534	93323	Screw—Air Cleaner
355	66554	Collar—Insulating	485	296437	Post Assembly—Fuse	535	27987	Element—Air Cleaner
356	295413	Wire—Ground	486	67135	Fuse—3Ag—1-1/2 Amperes	536	297036	Cleaner Assembly—Air
	Note:	295411 Wire—Ground Used on type Nos. 0129, 500516, 500521, 500524.	487	296347	Cap—Fuse Holder	537	27994	Gasket—Air Cleaner (Used with No. 297036 Air Cleaner)
357	91540	Key—Pulley	488	296579	Block Assembly—Fuse	589	93171	Screw—Stop Switch Mounting Sem
358	295970	Gasket Set	489	93237	Screw—Fuse Block Mounting Sem	590	93226	Screw—Breaker Mounting
362	291630	Shield—Spark Plug (with stop switch)	490	67125	Fuse—3AG—7-1/2 Amperes	600	270003	Spacer—Air Cleaner Used on engines with No. 297036 Air Cleaner.
	Note:	66538 Elbow—Spark Plug Used on type Nos. 500592, 500608, 500638.	491	221241	Support—Charger Mtg.	605	298758	Bracket—Guard Used after Serial No. 6503171.
363	19165	Puller—Flywheel (optional accessory)	492	296028	Starter—Generator (12 volt) (Delco-Remy No. 1101968 and Pulley—Delco-Remy No. 1949358)		Note:	297170 Bracket—Guard Used before Serial No. 6503181.
370	66432	Washer—Plain		Note:	For service on the Starter—Generator and Voltage Regulator see your nearest "Authorized Delco-Remy Service Station of United Motors"			297171 Bracket—Guard (Lower)
378	222032	Washer—Needle Valve	493	211112	Bracket—Starter			297187 Bracket—Guard (Upper)
380	62199	Washer—Plain	497	91203	Screw—Cap, Hex. Hd.— 5/16-18 x 1-3/4"			Used on type Nos. 0132, 0170, 500704. Uses: 91439 Screw To mount Guard Bracket 297171 to Blower Housing. (2 used)
	Note:	91324 Washer—Plain Used on type Nos. 0132, 0170, 500704.	500	91325	Washer—Plain	606	221790	Strap—Adjusting Used after Serial No. 6503171.
381	91419	Screw—Cap, Hex. Hd. —1/4-20 x 5/8"	501	295924	Regulator—Voltage (Delco-Remy No. 1118988)		Note:	221445 Strap—Adjusting Used before Serial No. 6503181.
382	92666	Screw—Cap, Hex. Hd. —1/4-20 x 1/2"	502	93107	Screw—Sem			220881 Strap—Adjusting Used on starter generator end flange on engines before Serial No. 132142
383	89838	Wrench—Spark Plug	503	221205	Strap—Starter (long)			221443 Strap—Adjusting Used on type Nos. 0132, 0170, 500704.
384	62899	Washer—Thermostat	504	221206	Strap—Starter (short)	608	295001	Starter Assy.—Rewind
401	211009	Spacer—Carb. Elbow (Used only on engines equipped with automatic choke)	505	92278	Nut—Hex. —1/4-20	610	93337	Pin—Thermostat Shaft
406	260894	Spring—Breather Tube	506	90072	Screw—Machine, Rd. Hd. — 8-32 x 5/8"	621	297472	Switch—Stop
411	91474	Plug—Oil Level Hole	507	66895	Insulator	627	221568	Bracket—Stop Switch
	Note:	91249 Plug—Oil Level Hole Used on type Nos. 0167, 500569.		Note:	66935 Insulator Used on type Nos. 500598, 500678.	655	221074	Anchor—Spring
413	230581	Nut—Starter Mounting	508	93294	Screw—Blower Housing Mounting Sem	656	260672	Spring—Idler
474	296436	Armature—Flywheel Gen.	512	296560	Armature and Wiring Assy.			
475	296562	Rectifier	513	296567	Clutch Assembly— Electric Starter			
477	67538	Sleeving—Wire	514	91700	Nut—Hex. —1/4-20			
478	296367	Plate—Generator Mtg.	517	295423	Pulley—Rope Starter			
480	93163	Screw—Support Plate and Bracket Mounting Sem	518	69932	Rope—Starter			
	Note:	93171 Screw—Support Plate Mounting Sem Used on type No. 500586.	521	297973	Shielding—Ignition Cable Used on ignition cables molded into coil.			
481	230582	Spacer—Armature Mtg.	523	295940	Cap Assy.—Oil Filler			

◆ Included in Carburetor Overhaul Kit—
Part No. 291691.