

144200 to 144254
145200 to 145254

Illustrated Parts List

MODEL SERIES

144200 to 144254

TYPE NUMBERS

0010 to 0016

0110 to 0148

145200 to 145254

TYPE NUMBERS

0110 to 0134

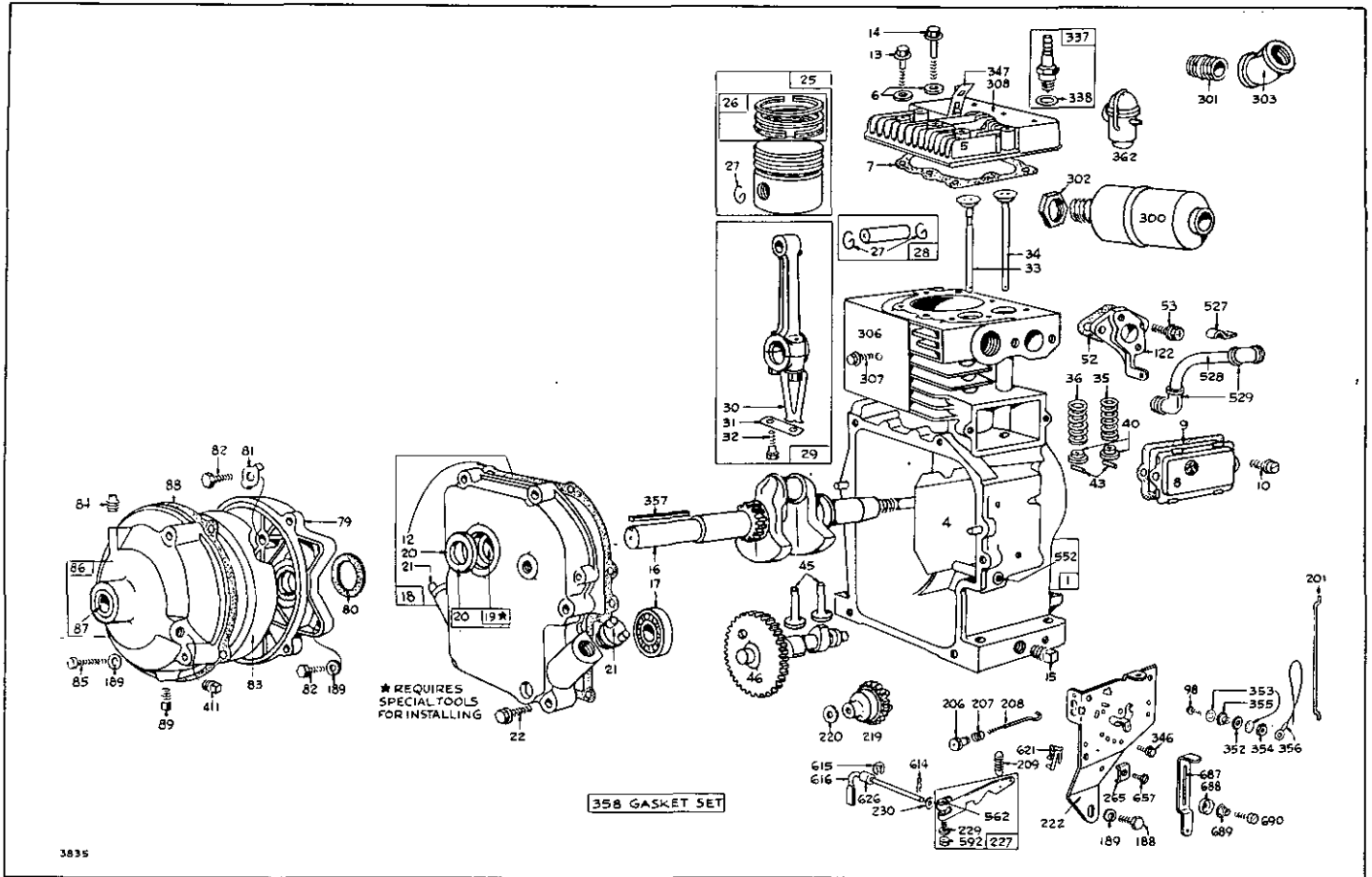
TO FIND

**THE CORRECT NUMBER OF THE PART YOU NEED:
FOLLOW THE INSTRUCTIONS BELOW.**

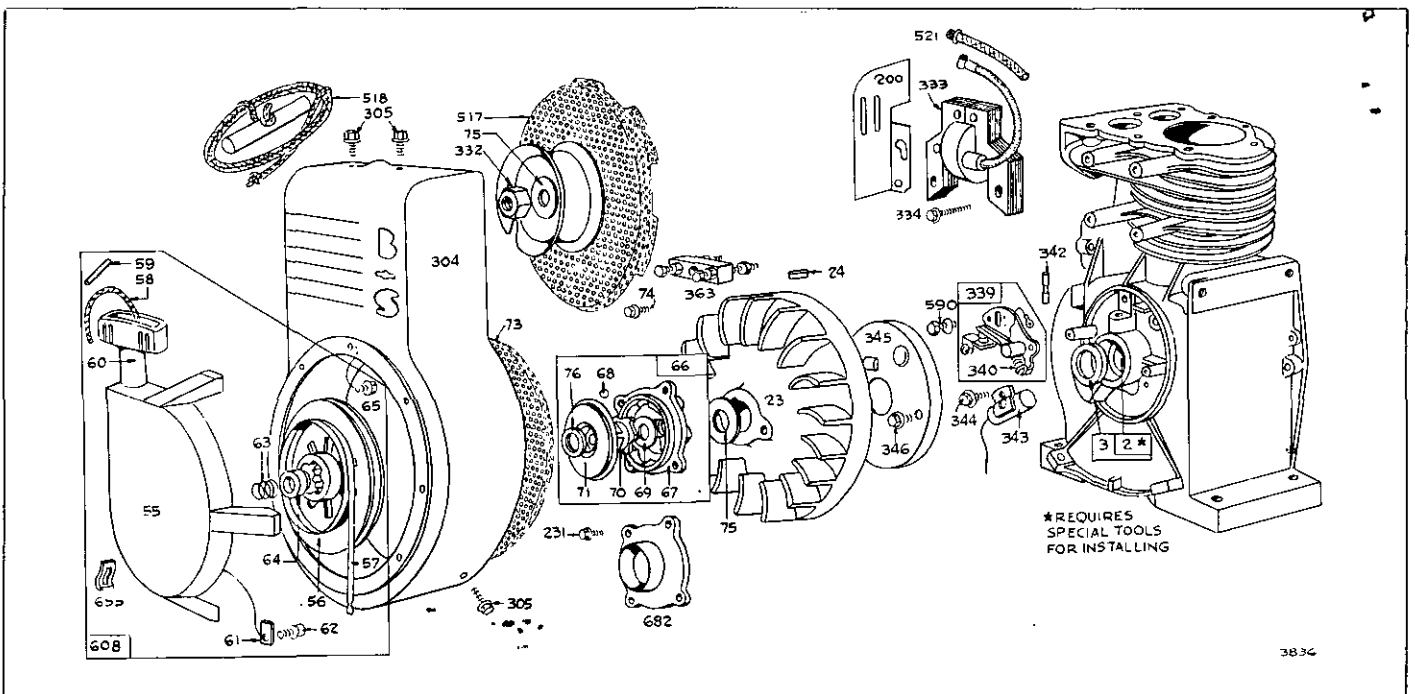
- A. Refer to Engine Model, Type and Serial Number that is stamped on the blower housing or name plate of engine. Engine type numbers such as 0147 01 are listed herein only as 0147. The two digits (01 or 02, etc.) to the right of the space are not needed for parts identification. Then use the Illustrated Parts List covering these Model Series.
- B. Refer to Illustrated Parts section and compare the old part with illustration. The number on the illustration is the Reference Number. Assemblies include all parts shown in frames. All parts shown in assembly frames on which individual reference numbers are given can be purchased separately.
- C. After the Reference Number has been identified, refer to the Numerical Parts List, where Reference and Master Part Numbers are listed. **THE MASTER PART IS USED ON ALL TYPE NUMBERS EXCEPT THOSE TYPE NUMBERS UNDER "NOTE"**.
- D. If a "Note" appears below the Master Part Number, this means that this part differs from the Master Part for certain types. If the Type Number is listed under "Note", order the part referred to.
- E. If the Engine Type Number does not appear after any part number listed under "Note", use the Master Part Number.
- F. For Type Numbers higher than those covered by this book, please refer to the factory if you are unable to identify the part by comparison.



144200 to 144254 145200 to 145254

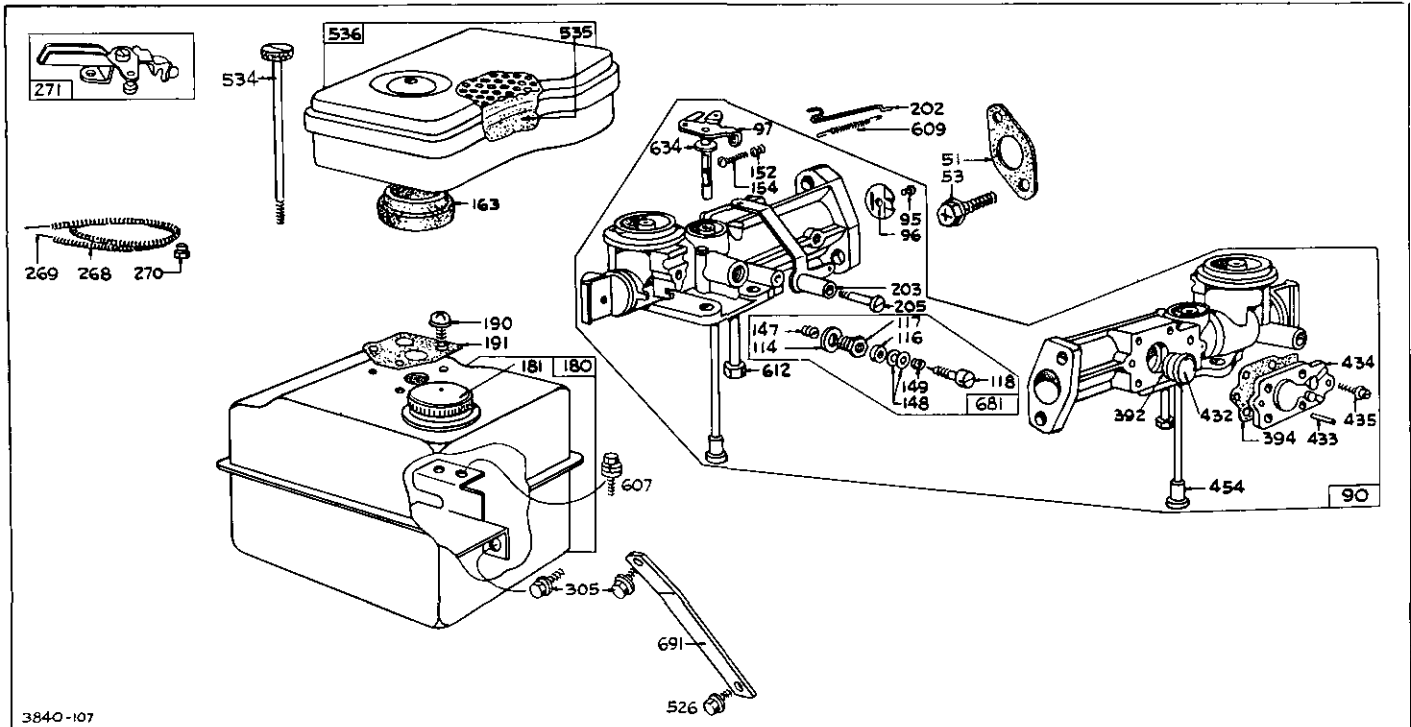


Assemblies include all parts shown in frames.



Assemblies include all parts shown in frames.

144200 to 144254 145200 to 145254



Assemblies include all parts shown in frames.

REF. NO.	PART NO.	DESCRIPTION	REF. NO.	PART NO.	DESCRIPTION	REF. NO.	PART NO.	DESCRIPTION
1	299166	Cylinder Assembly "Kool Bore" Used on Model 144200 Series.	†	27877	Gasket—Crankcase Cover—.009" thick			Used on Model 144200 Series type Nos. 0130, 0134, 0136, 0145.
	299208	Cylinder Assembly (Sleeve Bore) Used on Model 145200 Series.	13	93210	Screw—Cylinder Head (2-9/32" long)			260607 Crankshaft Used on Model 144200 Series type Nos. 0015, 0138, 0139.
2	295962	Bushing—Cylinder Note: Requires special tools for installation.	14	93211	Screw—Cylinder Head (2-21/32" long)			260663 Crankshaft Used on Model 145200 Series type No. 0133.
3	294606	Seal—Oil	15	91084	Plug—Oil Drain			260833 Crankshaft Used on Model 144200 Series type No. 0131.
4	221822	Plate—Cylinder Baffle	16	260315	Crankshaft	17	29530	Bearing—Ball
5	210578	Head—Cylinder	Note:	260358	Crankshaft Used on Model 144200 Series type Nos. 0115, 0116; also used on Model 145200 Series type Nos. 0115, 0116.	18	299167	Cover Assy.—Crankcase
6	22963	Washer—Plain		260389	Crankshaft Used on Model 144200 Series type Nos. 0120, 0121, 0146; also used on Model 145200 Series type Nos. 0120, 0121, 0131.	Note:	299168	Cover Assembly— Crankcase Used on Model 144200 Series type Nos. 0115, 0116, 0130, 0134, 0136, 0140, 0143, 0145; also used on Model 145200 Series type Nos. 0115, 0116, 0132, 0133.
7	†270340	Gasket—Cylinder Head		260423	Crankshaft Used on type Nos. 0140, 0143.			
8	294948	Breather Assembly		260425	Crankshaft			
9	†27803	Gasket—Valve Cover						
10	93394	Screw—Breather Mounting Sem						
12	†27750	Gasket—Crankcase Cover—1/64" thick						
	†27876	Gasket—Crankcase Cover—.005" thick						

* Trademark of Briggs & Stratton Corp.

† Included in Gasket Set—Part No. 295970.

144200 to 144254 145200 to 145254

REF. NO.	PART NO.	DESCRIPTION	REF. NO.	PART NO.	DESCRIPTION	REF. NO.	PART NO.	DESCRIPTION
		299175 Cover Assembly—Crankcase Used on Model 144200 Series type Nos. 0120, 0121, 0146; also used on Model 145200 Series type Nos. 0120, 0121.			Oil, Std.			295843 Ring, Piston, Oil, Standard (w/expander)
19	295964	Bushing—Crankcase Cover Note: Requires special tools for installation.	297705		Ring Set—Piston— .010" O. S. Consists of: 211241 Ring, Piston, Comp., Top, .010" O. S. 211244 Ring, Piston, Comp., Center, .010" O. S. 211247 Ring, Piston, Oil, .010" O. S.	295853		Ring Set—Piston— .010" O. S. Includes: 210889 Ring, Piston, Comp., Top & Center, .010" O. S. 295847 Ring, Piston, Oil, .010" O. S. (w/expander)
20	298423	Seal—Oil	297706		Ring Set—Piston— .020" O. S. Consists of: 211242 Ring, Piston, Comp., Top, .020" O. S. 211245 Ring, Piston, Comp., Center, .020" O. S. 211248 Ring, Piston, Oil, .020" O. S.	295854		Ring Set—Piston— .020" O. S. Includes: 210893 Ring, Piston, Comp., Top & Center, .020" O. S. 295849 Ring, Piston, Oil, .020" O. S. (w/expander)
21	66768	Plug—Oil Filler	297707		Ring Set—Piston— .030" O. S. Consists of: 211243 Ring, Piston, Comp., Top, .030" O. S. 211246 Ring, Piston, Comp., Center, .030" O. S. 211249 Ring, Piston, Oil, .030" O. S.	295855		Ring Set—Piston— .030" O. S. Includes: 210897 Ring, Piston, Comp., Top & Center, .030" O. S. 295851 Ring, Piston, Oil, .030" O. S. (w/expander)
22	93205	Screw—Crankcase Cover Mounting Sem				27	68546	Lock—Piston Pin
23	298260	Flywheel				28	295840	Pin Assembly—Standard
24	61760	Key—Flywheel					295841	Pin Assy.—.005" O. S.
MODEL 144200 SERIES PISTON ASSEMBLIES FOR "KOOL BORE**"						29	295838	Rod Assy.—Connecting
25	297692	Piston Assembly—Std.				30	220837	Dipper—Connecting Rod
	297693	Piston Assembly— .010" O. S.				31	220811	Lock—Conn. Rod Screw
	297694	Piston Assembly— .020" O. S.				32	92659	Screw—Connecting Rod
	297695	Piston Assembly— .030" O. S.				33	230385	Valve—Exhaust Note: 260444 Valve—Exhaust Used on Model 144200 Series type Nos. 0132, 0137, 0143; also used on Model 145200 Series type No. 0130.
MODEL 145200 SERIES PISTON ASSEMBLIES (FOR SLEEVE BORE)						34	230386	Valve—Intake Note: 230385 Valve—Intake Used on Model 144200
	295842	Piston Assembly—Std.						
	295846	Piston Assembly— .010" O. S.						
	295848	Piston Assembly— .020" O. S.						
	295850	Piston Assembly— .030" O. S.						
MODEL 144200 SERIES PISTON RING SETS FOR "KOOL BORE**"								
		Note: For Chrome Piston Ring Set — Standard Size — order Part No. 298745.						
26	297815	Ring Set—Piston—Std. Consists of: 210600 Ring, Piston, Comp., Top, Standard 211037 Ring, Piston, Comp., Center, Std. 210602 Ring, Piston,						
MODEL 145200 SERIES PISTON RING SETS (FOR SLEEVE BORE)								
		Note: For Chrome Piston Ring Set — Standard Size — order Part No. 298451.						
	295852	Ring Set—Piston—Std. Includes: 210703 Ring, Piston, Comp., Top & Center, Standard						

* Trademark of Briggs & Stratton Corp.

144200 to 144254 145200 to 145254

REF. NO.	PART NO.	DESCRIPTION	REF. NO.	PART NO.	DESCRIPTION	REF. NO.	PART NO.	DESCRIPTION
		Series type Nos. 0132, 0137, 0143; also used on Model 145200 Series type No. 0130.			Used after Serial No. 6601171.	87	298423	Seal—Oil
35	65906	Spring—Intake Valve			Note: 295684 Clutch Assy.—Rewind Starter	88	27328	Gasket—Gear Case Cover
36	65906	Spring—Exhaust Valve			Used before Serial No. 6601181.	89	91488	Plug—Oil Drain
	Note:	26828 Spring—Exhaust Valve	67	211383	Housing—Rewind Starter Starter Clutch	90	299185	Carburetor Assembly (Manual Choke)
		Used on Model 144200 Series type Nos. 0132, 0137, 0143; also used on Model 145200 Series type No. 0130.			Used after Serial No. 6601171.		Note:	299278 Carburetor Assy. (Choke-A-Matic)
40	230477	Retainer—Valve Spring			Note: 210400 Housing—Rewind Starter Clutch			Uses: 260689 Link—Choke
	Note:	292260 Rotocap—Exhaust Valve			Used before Serial No. 6601181.			260189 Spring—Choke Link
		Used on Model 144200 Series type Nos. 0132, 0137, 0143; also used on Model 145200 Series type No. 0130.	68	63770	Ball—Clutch			221539 Crank—Bell (Choke)
43	230476	Pin—Valve Spring Ret.	69	66718	Washer—Starter Clutch, Thrust			221198 Washer—Choke Link
	Note:	230570 Pin—Exhaust Valve Rotocap Retainer	70	298799	Ratchet—Rewind Starter			220982 Washer—Bell Crank
		230569 Retainer—Exhaust Valve Rotocap			Used after Serial No. 6601171.			230847 Rod—Choke
		Used on Model 144200 Series type Nos. 0132, 0137, 0143; also used on Model 145200 Series type No. 0130.			Note: 296916 Ratchet—Rewind Starter Clutch			92265 Screw—Bell Crank
45	260125	Tappet—Valve	71	221653	Washer—Retainer			22398 Washer (Choke Rod)
46	210728	Gear—Cam			Used before Serial No. 6601181.			Used on Model 144200 Series type No. 0141.
51	†27355	Gasket—Carburetor to Spacer			Note: 221301 Washer—Retainer	95	93385	Screw—Throttle Valve Mounting Sem
					Used before Serial No. 6601181.	96	211203	Valve—Throttle
52	†27828	Gasket—Spacer to Cylinder Mounting			Uses: 26032 Ring—Clutch Retainer	97	297468	Shaft and Lever—Throttle
53	93128	Screw—Carburetor and Spacer Mounting Sem	73	221796	Screen—Rewind Starter	98	91920	Screw—Machine, Fil. Hd.—8-32 x 5/8"
55	295272	Housing—Rewind Starter			Used after Serial No. 6601171.	114	66594	Gasket—Needle Valve
56	295871	Pulley—Rewind Starter			Note: 220823 Screen—Rewind Starter	116	65978	Packing—Needle Valve
57	294303	Spring—Rewind Starter			Used before Serial No. 6601181.	117	230590	Nut—Needle Valve
58	66564	Rope—Starter (63" long)	74	93042	Screw—Rotating Screen Mounting Sem	118	23433	Valve—Needle
59	230228	Pin—Starter Grip	75	220865	Washer—Spring	122	210596	Spacer—Intake Elbow
60	66728	Grip—Starter Rope	76	68238	Washer—Ratchet Sealing	147	230591	Seat—Needle Valve
61	68848	Bumper—Starter Pulley	79	296179	Case Assembly—Gear	148	22235	Washer—Needle Valve (2)
62	93254	Screw—Pulley Bumper Mounting Sem	80	27884	Gasket—Gear Case to Crankcase Cover	149	26336	Spring—Needle Valve
63	260414	Spring—Ratchet	81	220234	Lock—Gear Case Mounting Screw	152	260575	Spring—Speed and Throttle Adjustment
64	230543	Adapter—Ratchet Spring	82	92502	Screw—Cap	154	92634	Screw—Machine, Rd. Hd.—5-40 x 5/8"
65	93163	Screw—Rewind Starter Housing Mounting Sem	83	296052	Shaft Assembly—Drive	163	†27660	Gasket—Air Cleaner Mtg.
66	298798	Clutch Assembly—Rewind Starter	84	92617	Plug—Breather	180	298918	Tank Assembly—Fuel (3 quart)
			85	91386	Screw—Gear Case Cover Mounting	181	293270	Cap—Fuel Tank
			86	296053	Cover Assembly—Gear Case		Note:	297863 Cap—Fuel Tank
								Used on Model 144200 Series type No. 0131.
						188	92272	Screw—Cap, Hex. Hd.—5/16-18 x 3/4"

† Included in Gasket Set—Part No. 295970.

144200 to 144254 145200 to 145254

REF. NO.	PART NO.	DESCRIPTION	REF. NO.	PART NO.	DESCRIPTION	REF. NO.	PART NO.	DESCRIPTION
189	90366	Washer—Lock, 5/16 x 1/8 x 1/16"			Series type Nos. 0131, 0132, 0141, 0145.	432	221377	Cap—Spring
190	93341	Screw—Fuel Tank Mtg.	304	294605	Housing—Blower	433	93265	Pin—Diaphragm Cover
191	†27911	Gasket—Fuel Tank Mtg.	305	93158	Screw—Blower Housing and Tank Bracket to Control Plate Mtg. Sem	434	210959	Cover—Diaphragm
200	221760	Guide—Air				435	93141	Screw—Diaphragm Cover
201	260883	Link—Governor				454	296178	Housing—Fuel Pipe Screen (For 3/16" O. D. Brass Pipe)
202	260678	Link—Throttle	306	221005	Shield—Cylinder	517	295423	Pulley—Rope Starter
203	298893	Crank—Bell (Throttle)	307	93163	Screw—Cylinder Shield Mounting Sem	518	69932	Rope—Starter
205	230754	Screw—Bell Crank Mtg.	308	220824	Cover—Cylinder Head	526	93343	Screw—Bracket Mounting
206	230149	Nut—Gov. Control Rod	332	92284	Nut	527	221428	Clamp—Breather Tube
207	26855	Spring—Gov. Control Rod	333	298968	Armature Assembly	528	230670	Tube—Breather
208	230841	Rod—Governor Control	334	93381	Screw—Armature Mtg. Sem	529	66928	Grommet—Breather Tube
209	260871	Spring—Governor	337	298809	Plug—Spark (1-1/2" High—38 M. M.)	534	93322	Screw—Air Cleaner
219	297656	Gear—Governor			Note: 29693 Plug—Spark (2" High—51 M. M.)	535	27987	Element—Air Cleaner
220	221551	Washer—Thrust				536	297036	Cleaner Assembly—Air Note: 297778 Cover—Carburetor Intake (includes mounting stud) Used on Model 144200 Series type No. 0131.
222	299012	Plate—Governor Control	338	29806	Gasket—Spark Plug	552	230843	Bushing—Governor Shaft
227	299165	Lever Assy.—Governor	339	29667	Breaker Assembly— Ignition	562	92613	Bolt—Governor Lever
229	220680	Washer	340	26018	Spring—Breaker Arm	590	93226	Screw—Breaker Mounting
230	221559	Washer—Spacer	342	65704	Plunger—Breaker Point	592	90356	Nut—Hex.—10-24
231	93064	Screw—Sem	343	29861	Condenser	607	93338	Screw—Sem (bracket to cylinder)
265	221535	Clamp—Casing	344	93370	Screw—Condenser Mounting Sem	608	295001	Starter Assembly—Rewind
268	65616	Casing—Control Wire— 72" long Note: If longer casing is re- quired, specify length in inches; if shorter wire is needed, order No. 65616 and cut to required length.	345	221046	Cover—Breaker Point	609	260694	Spring—Throttle Link
269	26633	Wire—Control—78" long Note: If longer wire is required, specify length in inches; if shorter wire is needed, order No. 26633 and cut to required length.	346	93014	Screw—Sem	612	296811	Pipe—Fuel (plastic)
270	63426	Locknut—Control Wire Casing	347	221808	Switch—Stop	614	93306	Cotter—Hair Pin
271	290568	Lever Assembly—Control	352	66068	Washer—Insulating	615	93307	Retainer—E-Ring
300	294599	Muffler—Exhaust	353	92791	Washer—Lock—Shakeproof	616	230842	Crank—Governor
301	91245	Nipple—Exhaust	354	90576	Nut—Hex.—8-32	621	297472	Switch—Stop
302	91242	Locknut—Muffler and Elbow	355	66554	Collar—Insulating	626	230749	Spacer—Governor Crank
303	91246	Elbow—Muffler—45° Note: 91219 Elbow—Muffler— 45°, Street Used on Model 144200 Series. 91464 Elbow—Muffler— 90°, Street Used on Model 144200	356	295413	Wire—Ground	634	270167	Washer—Throttle Shaft (felt)
			357	91540	Key—Pulley	655	221014	Anchor—Spring
			358	295970	Gasket Set	657	93496	Screw—Sem
			362	291630	Shield—Spark Plug (with stop switch) Note: 66538 Elbow—Spark Plug Used on Model 144200 Series type No. 0131.	681	299060	Kit—Needle Valve
			363	19165	Puller—Flywheel (optional accessory)	682	211516	Shield—Starter Clutch
			380	62199	Washer—Plain	687	298957	Slide—Friction Control
			392	260455	Spring—Fuel Pump Diaphragm	688	221766	Cap—Friction Spring
			394	270026	Diaphragm	689	260847	Spring—Friction
			411	91474	Plug—Oil Level Hole	690	92484	Screw—Machine, Fil. Hd.—10-32 x 1/2"
			413	230581	Nut—Starter Mounting	691	221824	Brace—Fuel Tank

† Included in Gasket Set—Part No. 295970.

