

144400 to 144453
145400 to 145453

Illustrated Parts List

MODEL SERIES

144400 to 144453

TYPE NUMBERS

0015 TO 0050

0110 TO 0152

145400 to 145453

TYPE NUMBERS

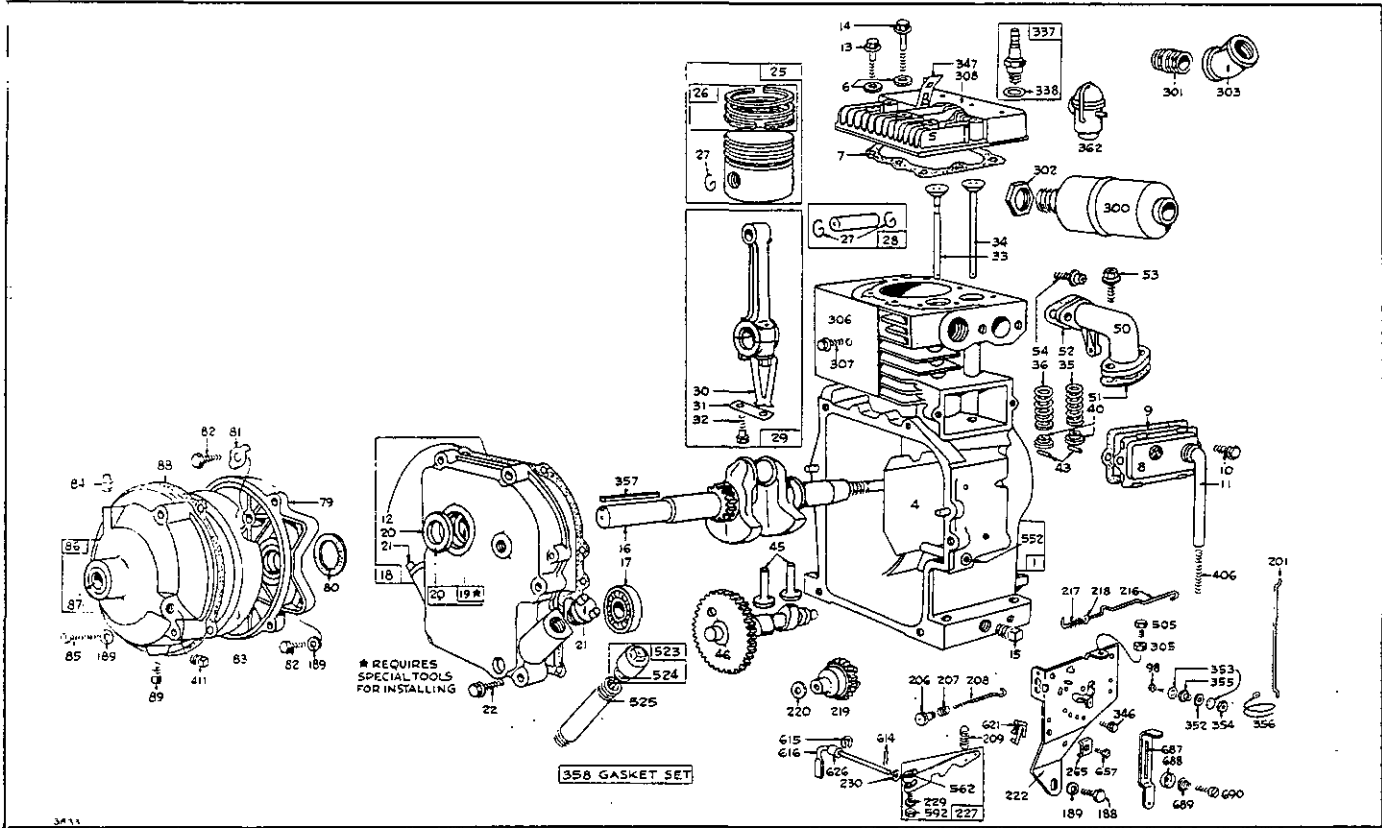
0110 TO 0157

**TO FIND
THE CORRECT NUMBER OF THE PART YOU NEED:
FOLLOW THE INSTRUCTIONS BELOW.**

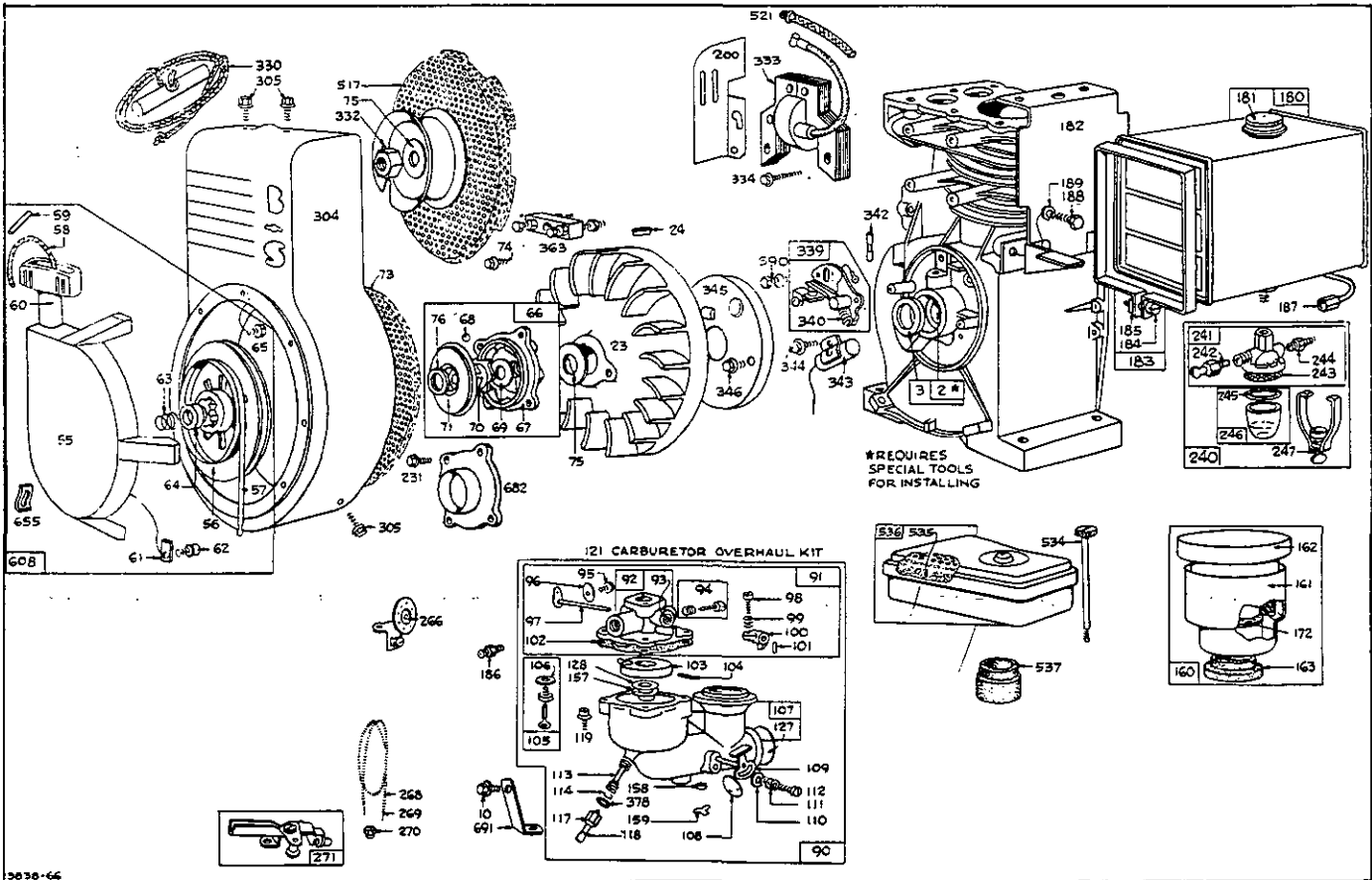
- A. Refer to Engine Model, Type and Serial Number that is stamped on the blower housing or name plate of engine. Engine type numbers such as 0147 01 are listed herein only as 0147. The two digits (01 or 02, etc.) to the right of the space are not needed for parts identification. Then use the Illustrated Parts List covering these Model Series.
- B. Refer to Illustrated Parts section and compare the old part with illustration. The number on the illustration is the Reference Number. Assemblies include all parts shown in frames. All parts shown in assembly frames on which individual reference numbers are given can be purchased separately.
- C. After the Reference Number has been identified, refer to the Numerical Parts List, where Reference and Master Part Numbers are listed. **THE MASTER PART IS USED ON ALL TYPE NUMBERS EXCEPT THOSE TYPE NUMBERS UNDER "NOTE".**
- D. If a "Note" appears below the Master Part Number, this means that this part differs from the Master Part for certain types. If the Type Number is listed under "Note", order the part referred to.
- E. If the Engine Type Number does not appear after any part number listed under "Note", use the Master Part Number.
- F. For Type Numbers higher than those covered by this book, please refer to the factory if you are unable to identify the part by comparison.



144400 to 144453
145400 to 145453



Assemblies include all parts shown in frames



Assemblies include all parts shown in frames

REF. NO.	PART NO.	DESCRIPTION	REF. NO.	PART NO.	DESCRIPTION	REF. NO.	PART NO.	DESCRIPTION
1	299166	Cylinder Assembly "Kool Bore*" Used on Model 144400 Series.			Series type Nos. 0049, 0120, 0121, 0136, 0137, 0139, 0140, 0144; also used on Model 145400			299175 Cover Assembly—Crankcase Used on Model 144400 Series type Nos. 0049, 0120, 0121, 0136, 0137, 0139, 0140, 0144, 0147; also used on Model 145400 series type Nos. 0120, 0121, 0135, 0144, 0149, 0153.
	299208	Cylinder Assembly (Sleeve Bore) Used on Model 145400 Series.			Series type Nos. 0120, 0121, 0135, 0143.			299390 Cover Assembly—Crankcase Used on Model 144400 Series type No. 0143.
2	295962	Bushing—Cylinder Note: Requires special tools for installation.			Series type No. 0148.	19	295964	Bushing—Crankcase Cover Note: Requires special tools for installation.
3	294606	Seal—Oil			Series type Nos. 0035, 0130, 0132, 0133, 0134, 0148; also used on Model 145400 Series type Nos. 0130, 0134, 0137, 0150, 0152.	20	298423	Seal—Oil
4	221822	Plate—Cylinder Baffle			260423 Crankshaft Used on Model 145400	21	66768	Plug—Oil Filler
5	210578	Head—Cylinder			Series type No. 0148.	22	93205	Screw—Crankcase Cover Mounting Sem
6	22963	Washer—Plain			260425 Crankshaft Used on Model 144400	23	298260	Flywheel
7	†270340	Gasket—Cylinder Head Note: Two No. 270340 Cylinder Head Gaskets are used on Model 144400 Series type No. 0148; also used on Model 145400 Series type Nos. 0134, 0153.			Series type Nos. 0035, 0130, 0132, 0133, 0134, 0148; also used on Model 145400 Series type Nos. 0130, 0134, 0137, 0150, 0152.	24	61760	Key—Flywheel
8	294948	Breather Assembly			260472 Crankshaft Used on Model 144400	MODEL 144400 SERIES PISTON ASSEMBLIES FOR "KOOL BORE**" 25 297692 Piston Assembly—Std. 297693 Piston Assy. —.010" O.S., 297694 Piston Assy. —.020" O.S. 297695 Piston Assy. —.030" O.S.		
9	†27803	Gasket—Valve Cover			Series type No. 0143; also used on Model 145400 Series type No. 0131.			
10	93394	Screw—Breather Mtg. Sem			260607 Crankshaft Used on Model 144400	MODEL 145400 SERIES PISTON ASSEMBLIES (FOR SLEEVE BORE) 295842 Piston Assembly—Std. 295846 Piston Assy. —.010" O.S. 295848 Piston Assy. —.020" O.S. 295850 Piston Assy. —.030" O.S.		
11	67148	Tube—Breather			Series type Nos. 0015, 0150.			
12	†27750	Gasket—Crankcase Cover—1/64" thick			260667 Crankshaft Used on Model 145400	MODEL 144400 SERIES PISTON RING SETS FOR "KOOL BORE**" 26 297815 Ring Set—Piston—Std. Consists of: 210600 Ring—Piston, Comp., Top, Standard 211037 Ring—Piston, Comp., Center, Std.		
	†27876	Gasket—Crankcase Cover—.005" thick			Series type Nos. 0140, 0151.			
	†27877	Gasket—Crankcase Cover—.009" thick			260729 Crankshaft Used on Model 144400			
13	93210	Screw—Cylinder Head (2-9/32" long)			260865 Crankshaft Used on Model 144400			
14	93211	Screw—Cylinder Head (2-21/32" long)			Series type No. 0141.			
15	91084	Plug—Oil Drain			Bearing—Ball			
16	260315	Crankshaft Note: 260358 Crankshaft Used on Model 144400 Series type Nos. 0115, 0116; also used on Model 145400 Series type Nos. 0115, 0116. 260359 Crankshaft Used on Model 145400 Series type Nos. 0132, 0133, 0136, 0142. 260389 Crankshaft Used on Model 144400	17	29530				
			18	299167	Cover Assy.—Crankcase Note: 299168 Cover Assembly—Crankcase Used on Model 144400 Series type Nos. 0035, 0115, 0116, 0130, 0132, 0133, 0134, 0141, 0148; also used on Model 145400 Series type Nos. 0115, 0116, 0130, 0131, 0132, 0133, 0134, 0136, 0137, 0142, 0148, 0152.			

* Trademark of Briggs & Stratton Corp.

† Included in Gasket Set—Part No. 295970.

144400 to 144453
145400 to 145453

REF. PART NO.	PART NO.	DESCRIPTION	REF. PART NO.	PART NO.	DESCRIPTION	REF. PART NO.	PART NO.	DESCRIPTION
		210602 Ring-Piston, Oil, Standard			Consists of: 210703 Ring-Piston, Comp., Top & Center, Standard			Note: 260444 Valve-Exhaust Used on Model 144400 Series type Nos. 0139, 0141, 0143, 0147; also used on Model 145400 Series type No. 0152.
297705		Ring Set-Piston-.010" O.S. Consists of: 211241 Ring-Piston, Comp., Top, .010" O.S. 211244 Ring-Piston, Comp., Center, .010" O.S. 211247 Ring-Piston, Oil, .010" O.S.			295843 Ring-Piston, Oil, Standard (w/expander)	34	230386	Valve-Intake Note: 230385 Valve-Intake Used on Model 144400 Series type Nos. 0139, 0141, 0143, 0147; also used on Model 145400 Series type No. 0152.
297706		Ring Set-Piston-.020" O.S. Consists of: 211242 Ring-Piston, Comp., Top, .020" O.S. 211245 Ring-Piston, Comp., Center, .020" O.S. 211248 Ring-Piston, Oil, .020" O.S.	295853		Ring Set-Piston-.010" O.S. Consists of: 210889 Ring-Piston, Comp., Top & Center, .010" O.S. 295847 Ring-Piston, Oil, .010" O.S. (w/expander)	35	65906	Spring-Intake Valve
297707		Ring Set-Piston-.030" O.S. Consists of: 211243 Ring-Piston, Comp., Top, .030" O.S. 211246 Ring-Piston, Comp., Center, .030" O.S. 211249 Ring-Piston, Oil, .030" O.S.	295854		Ring Set-Piston-.020" O.S. Consists of: 210893 Ring-Piston, Comp., Top & Center, .020" O.S. 295849 Ring-Piston, Oil, .020" O.S. (w/expander)	36	65906	Spring-Exhaust Valve Note: 26828 Spring-Exhaust Valve Used on Model 144400 Series type Nos. 0139, 0141, 0143, 0147; also used on Model 145400 Series type No. 0152.
		MODEL 145400 SERIES PISTON RING SETS (FOR SLEEVE BORE)	295855		Ring Set-Piston-.030" O.S. Consists of: 210897 Ring-Piston, Comp., Top & Center, .030" O.S. 295851 Ring-Piston, Oil, .030" O.S. (w/expander)	40	230477	Retainer-Valve Spring Note: 292260 Rotocap-Exhaust Used on Model 144400 Series type Nos. 0139, 0141, 0143, 0147; also used on Model 145400 Series type No. 0152.
295852		Ring Set-Piston-Std.	27	68546	Lock-Piston Pin	43	230476	Pin-Valve Spring Ret. Note: 230570 Pin-Ex. Valve Rotocap Retainer 230569 Retainer-Exhaust Valve Rotocap Used on Model 144400 Series type Nos. 0139, 0141, 0143, 0147; also used on Model 145400 Series type No. 0152.
			28	295840	Pin Assembly-Standard	45	260125	Tappet-Valve
			295841		Pin Assy. -.005" O.S.	46	210728	Gear-Cam
			29	295838	Rod Assy.-Connecting	50	210756	Elbow-Intake
			30	220837	Dipper-Connecting Rod	51	†168987	Gasket-Intake Elbow
			31	220811	Lock-Conn. Rod Screw	52	†27828	Gasket-Intake Elbow Mtg.
			32	92659	Screw-Connecting Rod	53	93128	Screw-Carburetor Mounting Sem
			33	230385	Valve-Exhaust	54	93208	Screw-Intake Elbow Mounting Sem
						55	295272	Housing-Rewind Starter
						56	295871	Pulley-Rewind Starter

† Included in Gasket Set-Part No. 295970.

◆ Included in Carburetor Overhaul Kit-Part No. 291691.

144400 to 144453
145400 to 145453

REF. NO.	PART NO.	DESCRIPTION	REF. NO.	PART NO.	DESCRIPTION	REF. NO.	PART NO.	DESCRIPTION
57	294303	Spring--Rewind Starter	73	221796	Screen--Rewind Starter Used after Serial No. 6601171.	91	299200	Body Assy. --Upper Carburetor
58	66564	Rope--Rewind Starter (63" long)				92	99634	Body--Upper Carburetor
		Note: If longer rope is needed, order No. 66574 and cut to required length.				93	23230	Bushing--Throttle Shaft
59	230228	Pin--Starter Grip				94	4292681	Valve Assembly-- Carburetor Idle
60	66728	Grip--Starter Rope	74	93042	Screw--Rotating Screen Mounting Sem	95	93038	Screw--Throttle and Choke Valve Mtg. Sem
61	68848	Bumper--Starter Pulley	75	220865	Washer--Spring	96	22036	Valve--Throttle
62	93254	Screw--Pulley Bumper Mounting Sem	76	68238	Washer--Ratchet Sealing	97	298882	Shaft and Lever--Throttle
63	260414	Spring--Ratchet	79	296179	Case Assembly--Gear	98	91920	Screw--Machine, Fil. Hd. 8-32 x 5/8"
64	230543	Adapter--Ratchet Spring	80	27884	Gasket--Gear Case to Crankcase Cover	99	26157	Spring--Throttle Adjustment
65	93163	Screw--Rewind Starter Housing Mounting Sem	81	220234	Lock--Gear Case Mounting Screw	100	61967	Stop--Throttle
66	298798	Clutch Assembly-- Rewind Starter Used after Serial No. 6601171.	82	92502	Screw--Cap	101	93043	Pin--Throttle Stop
		Note: 295684 Clutch Assy. -- Rewind Starter Used before Serial No. 6601181.	83	296052	Shaft Assembly--Drive Note: 296298 Shaft Assy. -- Drive Used on Model 144400 Series type No. 0140; also used on Model 145400 Series type No. 0149.	102	27917	Gasket--Carburetor Body
67	211383	Housing--Rewind Starter Clutch Used after Serial No. 6601171.	84	92617	Plug--Breather	103	293477	Float--Carburetor
		Note: 210400 Housing--Rewind Starter Clutch Used before Serial No. 6601181.	85	91386	Screw--Gear Case Cover Mounting	104	423114	Pin--Float Hinge
68	63770	Ball--Clutch	86	296053	Cover Assy.--Gear Case	105	4293478	Valve and Seat-- Fuel Inlet
69	66718	Washer--Starter Clutch, Thrust	87	298423	Seal--Oil	106	68877	Gasket--Fuel Inlet Valve Seat
70	298799	Ratchet--Rewind Starter Clutch Used after Serial No. 6601171.	88	27328	Gasket--Gear Case Cover	107	295874	Body Assembly--Lower Carburetor
		Note: 296916 Ratchet--Rewind Starter Clutch Used before Serial No. 6601181.	89	91488	Plug--Oil Drain			Note: 299206 Body Assembly-- Lower Carburetor (Choke-A-Matic) Used on Model 144400 Series type Nos. 0133, 0150.
71	221653	Washer--Retainer Used after Serial No. 6601171.	90	299201	Carburetor Assembly (Manual Choke) Note: 299203 Carburetor Assy. (Kerosene--Manual Choke) Used on Model 144400 Series type No. 0148; also used on Model 145400 Series type Nos. 0134, 0153. 299205 Carburetor Assy. (Choke-A-Matic) Used on Model 144400 Series type Nos. 0133, 0150. 299209 Carburetor Assy. (Manual Choke) Used on Model 145400 Series type Nos. 0131, 0140, 0151.	108	220897	Valve--Choke Note: 22050 Valve--Choke Used on Model 144400 Series type Nos. 0133, 0150; also used on Model 145400 Series type Nos. 0131, 0140, 0151.
		Note: 221301 Washer--Retainer Used before Serial No. 6601181. Uses: 26032 Ring-- Clutch Retainer				109	294874	Shaft and Lever--Choke (Manual) Note: 295702 Shaft Assy. -- Choke Used on Model 145400 Series type Nos. 0131, 0140, 0151. 298883 Shaft Assy. -- Choke (Choke-A-Matic) Used on Model 144400 Series type Nos. 0133, 0150.

◆ Included in Carburetor Overhaul Kit--
Part No. 291691.

144400 to 144453
145400 to 145453

REF. NO.	PART NO.	DESCRIPTION	REF. NO.	PART NO.	DESCRIPTION	REF. NO.	PART NO.	DESCRIPTION
110	220899	Washer—Choke Lever	181	69221	Cap—Fuel Tank		89248	Pipe—Fuel (between filters)
	Note:	22062 Washer—Choke Lever	182	220858	Bracket—Fuel Tank		92655	Tee
		Used on Model 145400 Series type Nos. 0131, 0140, 0151.	183	291367	Strap Assy.—Fuel Tank			The above fuel pipes and fitting are used on Model 144400 Series type No. 0148; also used on Model 145400 Series type Nos. 0134, 0153.
111	26229	Spring—Choke Lever		Note:	291490 Strap Assembly—Fuel Tank			Used on Model 144400 Series type No. 0148; also used on Model 145400 Series type Nos. 0134, 0153.
112	23270	Screw—Choke Lever	184	91257	Screw—Machine, Fil. Hd.—1/4-20 x 1-1/2"	188	92272	Screw—Cap, Hex. Hd.—5/16-18 x 3/4"
113	♦23222	Nozzle—Carburetor	185	90970	Nut—Square—1/4-20	189	90366	Washer—Lock, 5/16 x 1/8 x 1/16"
114	♦68887	Packing—Needle Valve	186	53029	Connector—Fuel Pipe	200	221760	Guide—Air
117	♦23227	Nut—Needle Valve Pkng.		Note:	67218 Connector—Fuel Pipe (Plastic)	201	260882	Link—Governor
118	♦230005	Valve—Needle			Used on Model 145400 Series type Nos. 0140, 0151.	206	230149	Nut—Gov. Control Rod
	Note:	292088 Valve—Needle			Used on Model 144400 Series type No. 0148; also used on Model 145400 Series type No. 0134.	207	26855	Spring—Gov. Control Rod
119	93347	Screw—Throttle Housing Mounting Sem			230318 Connector	208	230841	Rod—Governor Control
121	291691	Carburetor Overhaul Kit			Used on Model 144400 Series type Nos. 0132, 0151; also used on Model 145400 Series type Nos. 0131, 0147.	209	260871	Spring—Governor
127	220352	Plug—Welch	187	295467	Pipe—Fuel	216	260881	Link—Choke
128	210811	Venturi—Carburetor		Note:	295901 Pipe—Fuel	217	260903	Spring—Choke Link
157	♦27840	Gasket—Venturi			Used on Model 144400 Series type Nos. 0015, 0035, 0049, 0115, 0116, 0120, 0121, 0130, 0133, 0134, 0136, 0137, 0139, 0140, 0141, 0144, 0147, 0150; also used on Model 145400 Series type Nos. 0115, 0116, 0120, 0121, 0130, 0132, 0133, 0136, 0137, 0142, 0144, 0148, 0149, 0152.	218	221198	Washer—Choke Link
158	27590	Filter—Carburetor Drain			296004 Pipe—Fuel (Flexible)	219	297656	Gear—Governor
159	220521	Retainer—Carburetor Drain Filter			Uses: 93053 Clamps (2)	220	221551	Washer—Thrust
160	294868	Cleaner Assembly—Air			Used on Model 144400 Series type Nos. 0132, 0151; also used on Model 145400 Series type No. 0131.	222	299012	Plate—Control
161	293991	Bowl—Air Cleaner			296531 Pipe—Fuel (carburetor to filter)	227	299165	Lever Assy.—Governor
162	294863	Cover and Filter—Air Cleaner				229	220680	Washer
163	†27660	Gasket—Air				230	221559	Washer—Spacer
171	92129	Nut—Hex.—1/4-28				231	93064	Screw—Sem
172	27795	Gasket—Air Cleaner				240	99910	Filter Assembly—Fuel
180	290816	Tank Assy.—Fuel (4 quart)					Note:	293964 Filter Assy.—Fuel
	Note:	291513 Tank Assembly—Combination Fuel						Used on Model 145400 Series type No. 0135.
		Uses: 22907 Support—Upper Fuel Tank						295984 Filter Assy.—Fuel
		220863 Washer—Spacer						Uses: 91635 Nipple (To connect filter to tank)
		(Used between one boss on cyl. head and tank bracket)						Used on Model 145400 Series type Nos. 0131, 0147.
		Used on Model 144400 Series type No. 0148; also used on Model 145400 Series type Nos. 0134, 0153.						297563 Outlet—Fuel Tank (Less Filter)
								298090 Filter—Fuel (In Fuel Pipe)
								Used on Model 144400

♦ Included in Carburetor Overhaul Kit—Part No. 291691.

† Included in Gasket Set—Part No. 295970.

144400 to 144453
145400 to 145453

REF. PART NO.	PART NO.	DESCRIPTION	REF. PART NO.	PART NO.	DESCRIPTION	REF. PART NO.	PART NO.	DESCRIPTION
		Series type Nos. 0132, 0151.	271	290568	Lever Assy.—Control			Morrison Pelsue Co.,
241	99909	Cover Assembly—Fuel	300	294599	Muffler—Exhaust			P. O. Box 8328, 2001 S.
	Note:	293966 Cover Assembly—Fuel Filter		Note:	89953 Muffler—Exhaust			Bannock St., Denver,
		Used on Model 145400			Used on Model 144400			Colorado, 80223; their
		Series type No. 0135.			Series type No. 0141;			Part No. 1252-A.
		296005 Cover Assembly—Fuel Filter			also used on Model 145400			299366 Armature Assy.
		Used on Model 145400			Series type No. 0133.			Used on Model 144400
		Series type Nos. 0131, 0147.	301	91245	Nipple—Exhaust	334	93381	Screw—Armature Mtg. Sem
242	295913	Valve—Fuel Shut-Off	302	91242	Locknut—Muffler and Elbow	337	298809	Plug—Spark
	Note:	293934 Valve—Fuel Shut-Off		303	91246 Elbow—Muffler—45 degree			(1-1/2" high — 38 M. M.)
		Used on Model 144400		Note:	91219 Elbow—Muffler,			(with Gasket)
		Series type Nos. 0132, 0151.			45 degree, Street			Note: 29693 Plug—Spark
					Used on Model 144400			(2" high — 51 M. M.)
243	22547	Screen—Fuel Filter			Series type Nos. 0138, 0141; also used on Model 145400			(with Gasket)
244	53029	Connector—Fuel Pipe			Series type Nos. 0139, 0143, 0150.			291954 Plug—Spark
	Note:	63377 Connector			91464 Elbow—Muffler,			(with Gasket)
		Used on Model 145400			90 degree, Street			Used on Model 144400
		Series type No. 0135.			Used on Model 144400			Series type No. 0147.
		230318 Connector—Fuel Pipe (plastic)			Series type Nos. 0143, 0149; also used on Model 145400			Gasket—Spark Plug
		Used on Model 144400			Series type Nos. 0131, 0137, 0140, 0145, 0146, 0151, 0154.			338 29806
		Series type Nos. 0132, 0151; also used on Model 145400	304	294605	Housing—Blower			339 29667
		Series type Nos. 0131, 0147.	305	93158	Screw—Sem			340 26018
245	†68477	Gasket—Fuel Filter Bowl		Note:	92666 Screw—Cap, Hex. Hd.—1/4-20 x 1/4"			342 65704
246	298683	Bowl—Fuel Filter			92778 Washer—Lock			343 29861
247	99665	Yoke—Fuel Filter			Used to mount Blower Housing on Model 144400			344 93370
248	221535	Clamp—Casing			Series type No. 0147.			345 221046
249	290062	Control—Throttle						346 93014
250	65616	Casing—Control Wire—72" long	306	221005	Shield—Cylinder			347 221808
	Note:	If longer casing is required, specify length in inches; if shorter wire is needed, order No. 65616 and cut to required length.	307	93163	Screw—Cylinder Shield Mounting Sem			352 66068
251	26633	Wire—Control—78" long	308	220824	Cover—Cylinder Head			353 92791
	Note:	If longer wire is required, specify length in inches; if shorter wire is needed, order No. 26633 and cut to required length.		Note:	221153 Cover—Cyl. Head			354 90576
252	63426	Locknut—Control Wire Casing			Used on Model 145400			355 66554
					Series type Nos. 0132, 0133, 0136, 0142.			356 295413
			330	69932	Rope—Starter			357 91540
			332	92284	Nut			358 295970
			333	298968	Armature Assembly			362 291630
				Note:	Armature for Model 144402			Note: 66538 Elbow—Spark Plug
					Series type No. 0143 is furnished by the equipment manufacturer—			Used on Model 144400
								Series type No. 0143.
								363 19165
								378 ♦22032
								406 260894
								411 91474
								505 92278
								517 295423
								Note: 297887 Pulley—Rope Starter

† Included in Gasket Set—Part No. 295970.

♦ Included in Carburetor Overhaul Kit—Part No. 291691.

144400 to 144453
145400 to 145453

REF. NO.	PART NO.	DESCRIPTION	REF. NO.	PART NO.	DESCRIPTION	REF. NO.	PART NO.	DESCRIPTION
		Used on Model 144400 Series type No. 0136.			Used on Model 144400 Series type No. 0143.			
521	298529	Shielding-Ignition Cable	524	65304	Gasket-Oil Filler	615	93307	Retainer-E-Ring
	Note: 299367	Shielding-Ignition Cable	525	230553	Pipe-Oil Filler	616	230842	Crank-Governor
		Uses: 92704 Terminal-Spark Plug	534	93323	Screw-Air Cleaner	621	297472	Switch-Stop
		66298 Insulator-Spark Plug	535	27987	Element-Air Cleaner	626	230749	Spacer-Governor Crank
		Terminal	536	297036	Cleaner Assembly-Air	655	221014	Anchor-Spring
		Used on Model 144400 Series type No. 0147.	537	27994	Gasket-Air Cleaner	657	93496	Screw-Sem
523	295940	Cap Assy.-Oil Filler	552	230843	Bushing-Governor Shaft	682	211516	Shield-Starter Clutch
	Note: 295923	Cap Assy.-Oil Filler	562	92613	Bolt-Governor Lever	687	298957	Slide-Friction Control
			590	93226	Screw-Breaker Mounting	688	221766	Cap-Friction Spring
			592	90356	Nut-Hex.-10-24	689	260847	Spring-Friction
			608	295001	Starter Assy.-Rewind	690	92484	Screw-Machine, Fil. Hd.-10-32 x 1/2
			614	93306	Cotter-Hair Pin	691	221818	Strap-Governor Bracket