

144700 to 145706

Illustrated Parts List

MODEL SERIES

144700 to 145706

TYPE NUMBERS
0015 to 0140

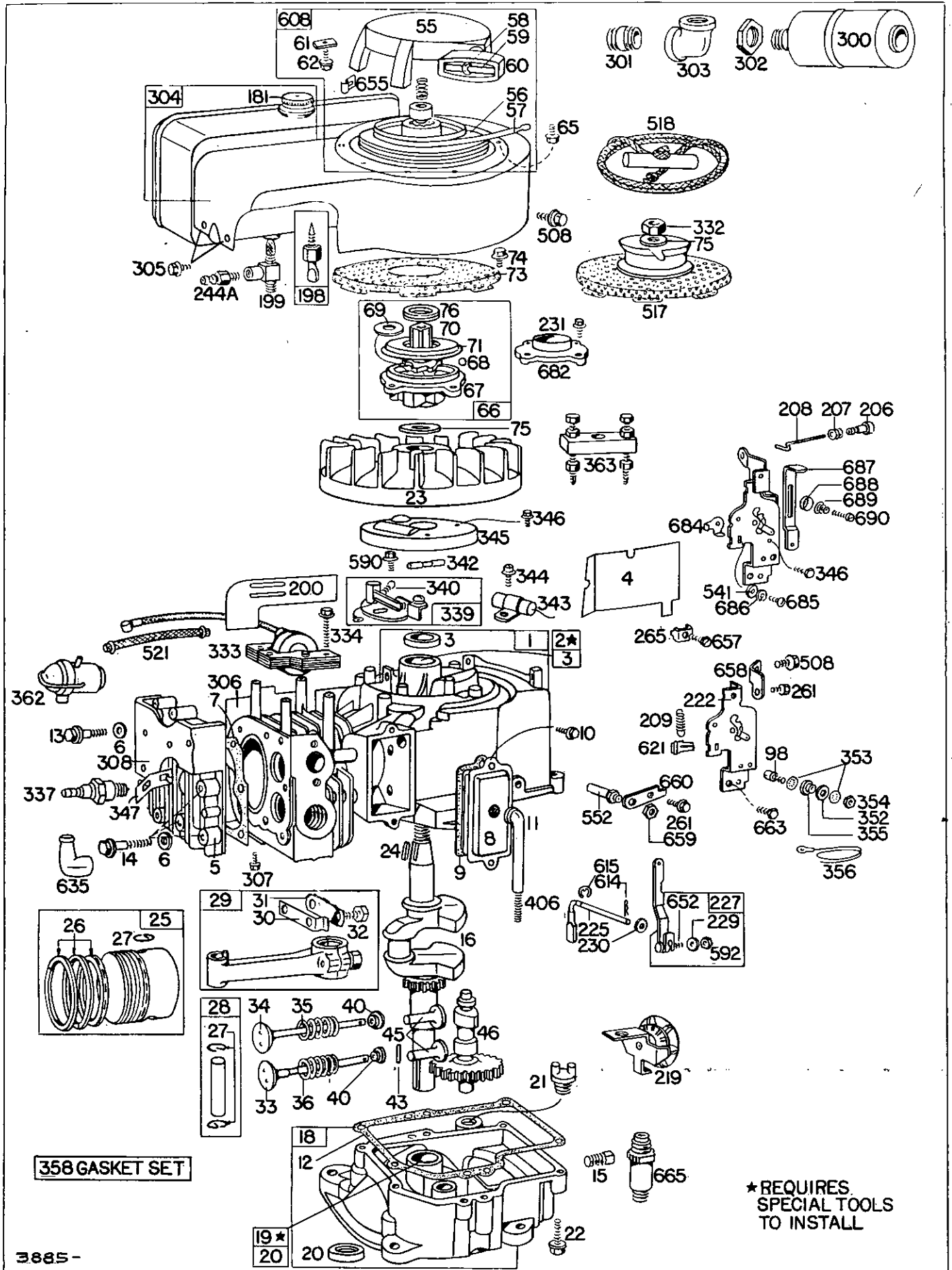
TYPE NUMBERS
0110 to 0121

TO FIND THE CORRECT NUMBER OF THE PART YOU NEED: FOLLOW THE INSTRUCTIONS BELOW.

- A. Refer to Engine Model, Type and Serial Number that is stamped on the blower housing or name plate of engine. Engine type numbers such as 0147 01 are listed herein only as 0147. The two digits (01 or 02, etc.) to the right of the space are not needed for parts identification. Then use the Illustrated Parts List covering these Model Series.
- B. Refer to Illustrated Parts section and compare the old part with illustration. The number on the illustration is the Reference Number. Assemblies include all parts shown in frames. All parts shown in assembly frames on which individual reference numbers are given can be purchased separately.
- C. After the Reference Number has been identified, refer to the Numerical Parts List, where Reference and Master Part Numbers are listed. **THE MASTER PART IS USED ON ALL TYPE NUMBERS EXCEPT THOSE TYPE NUMBERS UNDER "NOTE".**
- D. If a "Note" appears below the Master Part Number, this means that this part differs from the Master Part for certain types. If the Type Number is listed under "Note", order the part referred to.
- E. If the Engine Type Number does not appear after any part number listed under "Note", use the Master Part Number.
- F. For Type Numbers higher than those covered by this book, please refer to the factory if you are unable to identify the part by comparison.



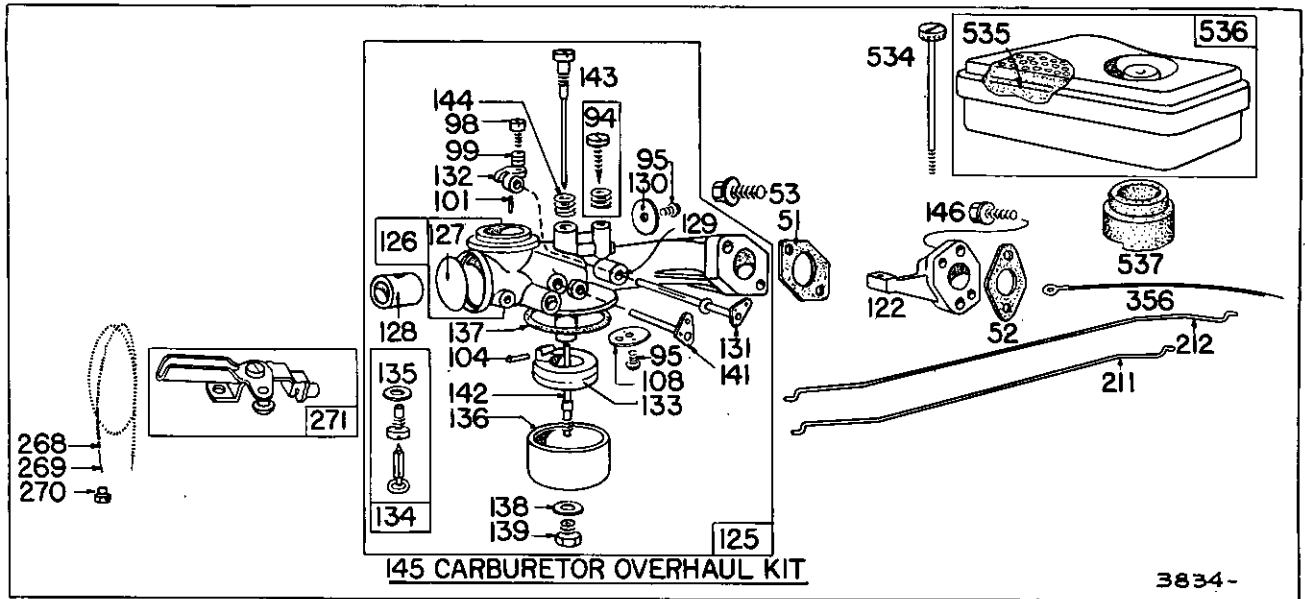
144700 to 145706



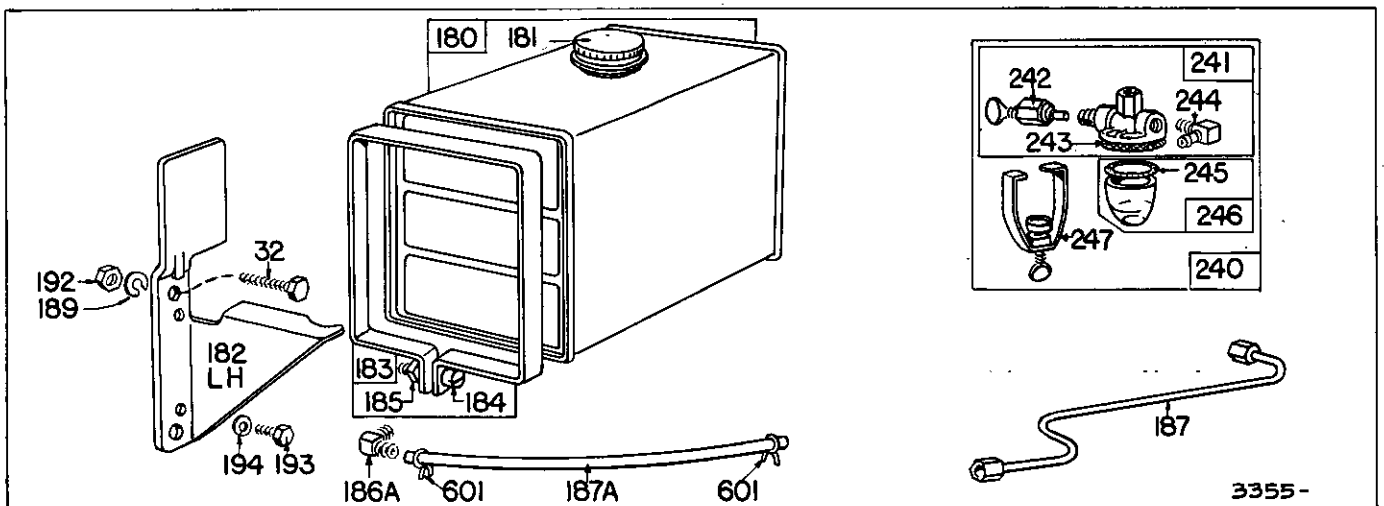
3885-

Assemblies include all parts shown in frames

144700 to 145706



Assemblies include all parts shown in frames



Assemblies include all parts shown in frames

144700 to 145706

REF. NO. 1 - 26

REF. NO.	PART NO.	DESCRIPTION	REF. NO.	PART NO.	DESCRIPTION	REF. NO.	PART NO.	DESCRIPTION	
1	299281	Cylinder Assembly (Sleeve Bore) Used on Model 145700 Series.			Used on Model 144700 Series type Nos. 0120, 0130.		295843	Ring-Piston, Oil, Standard (with expander)	
	299218	Cylinder Assembly "Kool Bore*" Used on Model 144700 Series.	19	295963	Bushing-Oil Sump Note: Requires special tools for installation.	295853	295853	Ring Set-Piston-.010" O. S. Includes: 210889	
2	295962	Bushing-Cylinder Note: Requires special tools for installation.	20	298423	Seal-Oil			210889	
3	294606	Seal-Oil	21	66768	Plug-Oil Filler			Ring-Piston, Comp., Top & Center, .010" O. S.	
4	221001	Plate-Cylinder	22	93205	Screw-Sump Mounting Sem			295847	
5	210578	Head-Cylinder	23	298260	Flywheel			Ring-Piston, Oil, .010" O. S. (with expander)	
6	22963	Washer-Plain	24	61760	Key-Flywheel			295854	
7	†270340	Gasket-Cylinder Head	25		Model 145700 Series Piston Assemblies (Sleeve Bore)			Ring Set-Piston-.020" O. S. Includes: 210893	
8	294988	Breather Assembly	295842		Piston Assembly—Standard			Ring-Piston, Comp., Top & Center, .010" O. S.	
9	†27803	Gasket-Valve Cover	295846		Piston Assembly—.010" O. S.			295849	
10	93394	Screw-Breather Mounting Sem	295848		Piston Assembly—.020" O. S.			Ring-Piston, Oil, .020" O. S. (with expander)	
11	67158	Tube-Breather	295850		Piston Assembly—.030" O. S.			295855	
12	†27750	Gasket-Crankcase Cover-1/64" thick			Model 144700 Series Piston Assemblies "Kool-Bore"			Ring Set-Piston-.030" O. S. Includes: 210897	
	†27876	Gasket-Crankcase Cover-.005" thick	297692		Piston Assembly—Standard			Ring-Piston, Comp., Top & Center, .020" O. S.	
	†27877	Gasket-Crankcase Cover-.009" thick	297693		Piston Assembly—.010" O. S.			295849	
13	93210	Screw-Cylinder Head (2-3/16" long)	297694		Piston Assembly—.020" O. S.			Ring-Piston, Oil, .020" O. S. (with expander)	
14	93211	Screw-Cylinder Head (2-9/16" long)	297695		Piston Assembly—.030" O. S.			295855	
15	91084	Plug-Oil Drain	26		Model 145700 Series Piston Ring Sets (Sleeve Bore)			Ring Set-Piston-.030" O. S. Includes: 210897	
16	260356	Crankshaft Note: 260394 Crankshaft Used on Model 144700 Series type Nos. 0121, C134, 0136. 260498 Crankshaft Used on Model 144700 Series type Nos. 0120, 0129. 260506 Crankshaft Used on Model 144700 Series type Nos. 0122, 0131, 0132. 260536 Crankshaft Used on Model 144700 Series type No. 0130. 260818 Crankshaft Used on Model 144700 Series type No. 0127.	Note: For Chrome Piston Ring Set—Standard Size—order Part No. 298451.	295852		Ring Set—Piston—Std. Includes: 210703			Ring-Piston, Comp., Top & Center, .030" O. S. (with expander)
18	298616	Sump-Oil Note: 296594 Sump-Oil						295851	

* Trademark of Briggs & Stratton Corp.

† Included in Gasket Set—Part No. 295970.

REF. NO.	PART NO.	DESCRIPTION	REF. NO.	PART NO.	DESCRIPTION	REF. NO.	PART NO.	DESCRIPTION
		Model 144700 Series Piston Ring Sets "Kool-Bore"	30	221725	Dipper—Connecting Rod	68	63770	Ball—Clutch
		Note: For Chrome Piston Ring Set—Standard Size—order Part No. 298745.	31	220811	Lock—Connecting Rod Screw	69	66718	Washer—Starter Clutch, Thrust
297815		Ring Set—Piston—Std. Consists of:	32	92659	Screw—Conn. Rod	70	298799	Ratchet—Rewind Starter
		210600 Ring, Piston, Comp., Top, Std.	33	230385	Valve Exhaust			Used after Serial No. 6601171.
		211037 Ring, Piston, Comp., Center, Standard	34	230386	Valve—Intake	Note:	296916	Ratchet—Rewind Starter Clutch
		210602 Ring, Piston, Oil, Standard	35	65906	Spring—Intake Valve			Used before Serial No. 6601181.
297705		Ring Set—Piston— .010" O.S. Consists of:	36	65906	Spring—Exhaust Valve	71	221653	Washer—Retainer
		211241 Ring, Piston, Comp., Top, .010" O.S., 211244	40	230477	Retainer—Valve Spring			Used after Serial No. 6601171.
		Ring, Piston, Comp., Center, .010" O.S.	43	230476	Pin—Valve Spring Ret.	Note:	221301	Washer—Retainer
		211247 Ring, Piston, Oil, .010" O.S.	45	260125	Tappet—Valve			Used before Serial No. 6601181.
297706		Ring Set—Piston— .020" O.S. Consists of:	46	210728	Gear—Cam			Uses: 26032 Ring—Clutch Retainer
		211242 Ring, Piston, Comp., Top, .020" O.S., 211245	51	†27355	Gasket—Intake Elbow	73	221796	Screen—Rewind Starter
		Ring, Piston, Comp., Center, .020" O.S.	52	†27828	Gasket—Intake Elbow Mounting			Used after Serial No. 6601171.
		211248 Ring, Piston, Piston, Oil, .020" O.S.	53	93357	Screw—Carburetor to Spacer Mounting Sem	Note:	220823	Screen—Rewind Starter
297707		Ring Set—Piston— .030" O.S. Consists of:	55	295272	Housing—Rewind Starter			Used before Serial No. 6601181.
		211243 Ring, Piston, Comp., Top, .030" O.S., 211246	56	295871	Pulley—Rewind Starter	74	93042	Screw—Rotating Screen Mounting Sem
		Ring, Piston, Comp., Center, .030" O.S.	57	294303	Spring—Rewind Starter	75	220865	Washer—Spring
		211249 Ring, Piston, Oil, .030" O.S.	58	66564	Rope—Rewind Starter (63" long)	76	68238	Washer—Ratchet Sealing
27	68546	Lock—Piston Pin			Note: If longer rope is needed, order No. 66574 and cut to required length.	94	†292681	Valve Assembly—Carburetor Idle
28	295840	Pin Assembly—Standard	59	230228	Pin—Starter Grip	95	93038	Screw—Throttle and Choke Valve Mounting Sem
		295841 Pin Assembly— .005" O.S.	60	66728	Grip—Starter Rope	98	91920	Screw—Machine, Fill. Hd. 8-32 x 5/8"
29	295839	Rod Assembly—Connecting	61	68848	Bumper—Starter Pulley	99	26157	Spring—Throttle Adjustment
			62	93254	Screw—Pulley Bumper Mounting Sem	101	93043	Pin—Throttle Stop
			63	260414	Spring—Ratchet	104	†23114	Pin—Float Hinge
			64	230543	Adapter—Ratchet Spring	108	220773	Valve—Choke (Choke-A-Matic Only)
			65	93163	Screw—Rewind Starter	Note:	221421	Valve—Choke
			65	93163	Screw—Rewind Starter Housing Mounting Sem			Used on Model 144700 Series type Nos. 0110, 0111, 0120, 0122, 0128, 0129; also used on Model 145700 Series type Nos. 0110, 0111, 0120.
			66	298798	Clutch Assembly—Rewind Starter			
					Used after Serial No. 6601171.			
			67	211383	Housing—Rewind Starter Clutch			
					Used after Serial No. 6601171.			
			Note:	210400	Housing—Rewind Starter Clutch			
					Used before Serial No. 6601181.			

† Included in Gasket Set—Part No. 295970

‡ Included in Carburetor Overhaul Kit—Part No. 298951

REF. NO.	PART NO.	DESCRIPTION	REF. NO.	PART NO.	DESCRIPTION	REF. NO.	PART NO.	DESCRIPTION
122	210596	Spacer, Intake Elbow	143	†294473	Valve-Needle			Used on type Nos. 0124, 0137.
125	299182	Carburetor Assembly (Choke-A-Matic)	144	260256	Spring-Needle Valve	211	260893	Link-Choke
	Note:	299184 Carburetor Assy. (Manual Choke) Used on <i>Model 144700</i> Series type Nos. 0110, 0111, 0120, 0122, 0128, 0129, 0130, 0132, 0135; also used on <i>Model 145700</i> Series type Nos. 0110, 0111, 0120.	145	298951	Carburetor Overhaul Kit	212	260888	Link-Governor
126	294712	Body Assembly-Upper Carburetor	146	93329	Screw-Carburetor Assy. Mounting Sem	219	298614	Oil Slinger, Gov. Gear and Bracket Assembly
127	†220751	Plug-Welch	171	92129	Nut-Hex. -1/4-28	222	298997	Plate-Governor Control
128	211182	Venturi-Carburetor	180	290816	Tank Assy. -Fuel		Note:	298998 Plate-Governor Control Used on <i>Model 144700</i> Series type Nos. 0015, 0121, 0123, 0124, 0125, 0126, 0127, 0131, 0134, 0136, 013, 0138, 0139.
129	23230	Bushing-Throttle Shaft	181	293270	Cap-Fuel Tank	225	230759	Shaft-Governor Lever
130	220791	Valve-Throttle	181A	69221	Cap-Fuel Tank	227	298303	Lever Assy. -Governor
131	298915	Shaft and Lever-Throttle	182	221087	Bracket-Fuel Tank, R. H.	229	220680	Washer
132	61967	Stop-Throttle		221088	Bracket-Fuel Tank, L. H.	230	221559	Washer-Governor Lever
133	293477	Float-Carburetor		Note:	220858 Bracket-Fuel Tank Used on <i>Model 144700</i> Series type No. 0138.	231	93064	Screw-Sem
134	†293478	Valve and Seat-Fuel Inlet	183	291367	Strap Assembly-Fuel Tank	240	293964	Filter Assy. -Fuel
135	†68877	Gasket-Inlet Valve Seat	184	91257	Screw-Machine, Fill. Hd. -1/4-20 x 1-1/2"		Note:	295984 Filter Assy. -Fuel Used on <i>Model 144700</i> Series type Nos. 0125, 0130, 0137.
136	220761	Bowl-Carburetor Float	185	90970	Nut-Square, 1/4-20	241	293966	Cover Assembly-Fuel Filter
137	†27682	Gasket-Float Bowl	186	67218	Connector-Fuel Pipe		Note:	296005 Cover Assy. -Fuel Filter Used on <i>Model 144700</i> Series type Nos. 0128, 0138.
138	†221172	Gasket-Float Bowl Mounting		Note:	63377 Connector-Fuel Pipe Used on <i>Model 144700</i> Series type Nos. 0130.	242	295913	Valve-Fuel Shut-Off
139	93086	Screw-Car. Bowl Mtg.	187	296004	Pipe-Fuel	243	22547	Screen-Fuel Filter
141	298945	Shaft and Lever-Choke		Note:	295995 Pipe-Fuel Used on <i>Model 144700</i> Series type No. 0130.	244	63377	Connector-Fuel Pipe
	Note:	294874 Valve, Shaft and Lever-Choke (Manual) Used on <i>Model 144700</i> Series type Nos. 0110, 0111, 0120, 0122, 0128, 0129, 0130, 0132; also used on <i>Model 145700</i> Series type Nos. 0110, 0111, 0120. Uses: 23270 Screw-Choke Lever 26229 Spring-Choke Lever 221421 Valve-Choke 220899 Washer	189	90366	Washer-Lock-5/16 x 1/8 x 1/16"		Note:	230318 Connector-Fuel Pipe Used on <i>Model 144700</i> Series type Nos. 0128, 0138.
142	†298947	Nozzle-Carburetor	192	91397	Nut-Hex. 5/16-18	246	298683	Bowl-Fuel Filter
			193	90681	Screw-Cap, Hex. Hd., 5/16-18 x 5/8"	247	99665	Yoke-Fuel Filter
			194	90366	Washer-Lock-5/16 x 1/8 1/16"	261	93105	Screw-Sem
			198	293934	Valve-Fuel Shut-Off	265	221535	Clamp-Casing
			199	295896	Outlet-Fuel Tank (Includes Strainer)	268	65616	Casing-Control Wire-72" long
			200	221760	Guide-Air			
			206	230149	Nut-Gov. Control Rod			
			207	26855	Spring-Gov. Control Rod			
			208	230853	Rod-Governor Control			
			209	260723	Spring-Governor			
				Note:	260871 Spring-Governor			
				Note:	260871 Spring-Governor			

† Included in Gasket Set- Part No. 295970.

‡ Included in Carburetor Overhaul Kit-Part No. 298951.

REF. NO.	PART NO.	DESCRIPTION	REF. NO.	PART NO.	DESCRIPTION	REF. NO.	PART NO.	DESCRIPTION
	Note:	If longer casing is required, specify length in inches; if shorter wire is needed, order No. 65616 and cut to required length.	308	220824	Cover-Cylinder Head	536	297036	Cleaner Assy.-Air
			332	92284	Nut	537	27994	Gasket-Air Cleaner
			334	93381	Screw-Armature Mounting Sem	541	22398	Washer
			337	298809	Plug-Spark (1-1/2" High-38 M. M.)	552	230761	Bushing-Gov. Shaft
269	26633	Wire-Control-78" long		Note:	29693 Plug-Spark (2" High-51 M. M.)	562	92613	Bolt-Governor Lever
	Note:	If longer wire is required, specify length in inches; if shorter wire is needed, order No. 26633 and cut to required length.	338	29806	Gasket-Spark Plug	590	93226	Screw-Breaker Mounting Sem
			339	29667	Breaker Assy.-Ignition	592	90356	Nut-Hex. 10-24
			304	26018	Spring-Breaker Arm	601	93053	Clamp-Hose
			342	65704	Plunger-Breaker Point	608	295001	Starter Assy.-Rewind
			343	29861	Condenser	614	93306	Cotter-Hair Pin
270	63426	Locknut-Control Wire Casing	344	93370	Screw-Condenser Mounting Sem	615	93307	Retainer-E-Ring
271	290568	Lever Assy.-Control	345	221046	Cover-Breaker Point	621	297472	Switch-Stop
300	294599	Muffler-Exhaust	346	93014	Screw-Breaker Point Cover Mounting Sem	635	66538	Elbow-Spark Plug
	Note:	297274 Muffler Exhaust Used on <i>Model 144700</i> Series type No. 0124.	347	221808	Switch-Stop	655	221014	Anchor-Spring
301	91245	Nipple-Exhaust	352	66068	Washer-Insulating	657	93496	Screw-Sem
302	91242	Locknut-Muffler and Elbow	353	92791	Washer-Lock-Shakeproof	657	93496	Screw-Sem
303	91205	Elbow-Muffler-45°	354	90576	Nut-Hex.-8-32	658	221576	Strap-Control Plate
	Note:	91464 Elbow-Muffler, 90° Street Used on <i>Model 144700</i> Series type Nos. 0126, 0139.	355	66554	Collar-Insulating		Note:	221827 Bracket-Control Plate Used on <i>Model 144700</i> Series type Nos. 0015, 0121, 0122, 0123, 0124, 0125, 0126, 0127, 0131, 0134, 0138, 0139; also used on <i>Model 145700</i> Series type No. 0120.
			356	295413	Wire-Ground	659	93390	Nut-Gov. Shaft Bushing
			358	295970	Gasket Set	660	221577	Bracket-Control Plate
			362	291630	Shield-Spark Plug (with stop switch)	665	296768	Oil Minder
			363	19165	Puller-Flywheel	682	211516	Shield-Starter Clutch
304	295898	Housing-Blower	380	62199	Washer-Plain	683	93351	Screw
	Note:	294605 Housing-Blower Used on <i>Model 144700</i> Series type Nos. 0015, 0125, 0128, 0130, 0137, 0138.	406	260386	Spring-Breather Tube	684	221781	Stop-Control Lever
			508	93294	Screw-Blower Housing Mtg. Sem (Used at bottom holes)	685	93524	Screw-Rd. Hd.
305	93158	Screw-Blower Housing Mounting Sem	517	295423	Pulley-Rope Starter (with screen)	686	91622	Washer-Lock
306	221005	Shield-Cylinder	518	69932	Rope-Starter	687	298957	Slide-Friction Control
307	93163	Screw-Cylinder	521	298529	Shielding-Ignition Cable	688	221766	Cap-Friction Spring
333	298968	Armature Assembly Shield Mtg. Sem	527	221428	Clamp-Fuel Pipe	689	260847	Spring-Friction
			534	93324	Screw-Air Cleaner	690	92484	Screw-Machine, Fil. Hd.-10-32 x 1/2"
			535	27987	Element-Air Cleaner			