

146400 to 146466

Illustrated Parts List

MODEL SERIES

146400 to 146466

TYPE NUMBERS

0010 through 0075

0110 through 0257

0510 through 0575

0610 through 0789

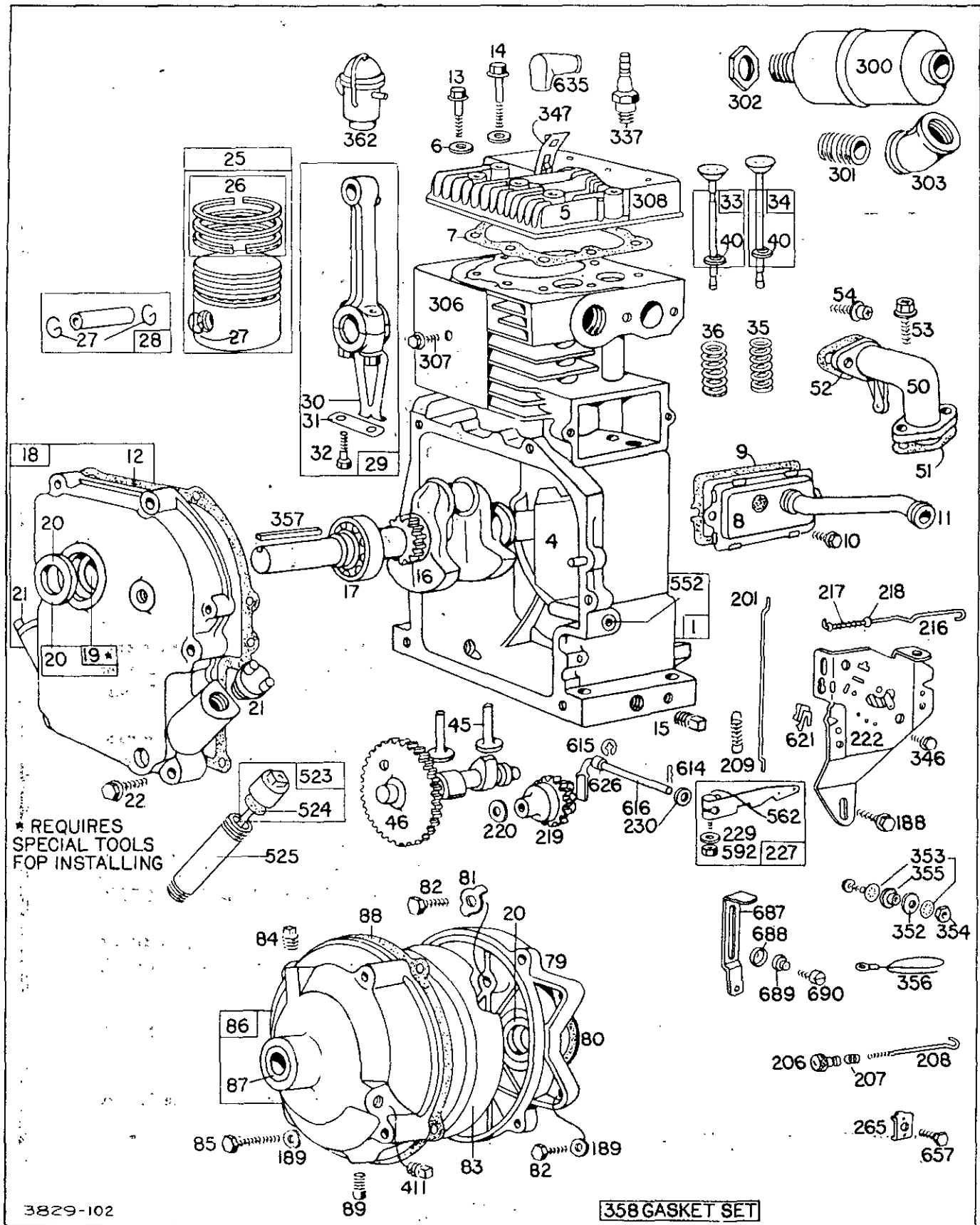
TO FIND

**THE CORRECT NUMBER OF THE PART YOU NEED:
FOLLOW THE INSTRUCTIONS BELOW.**

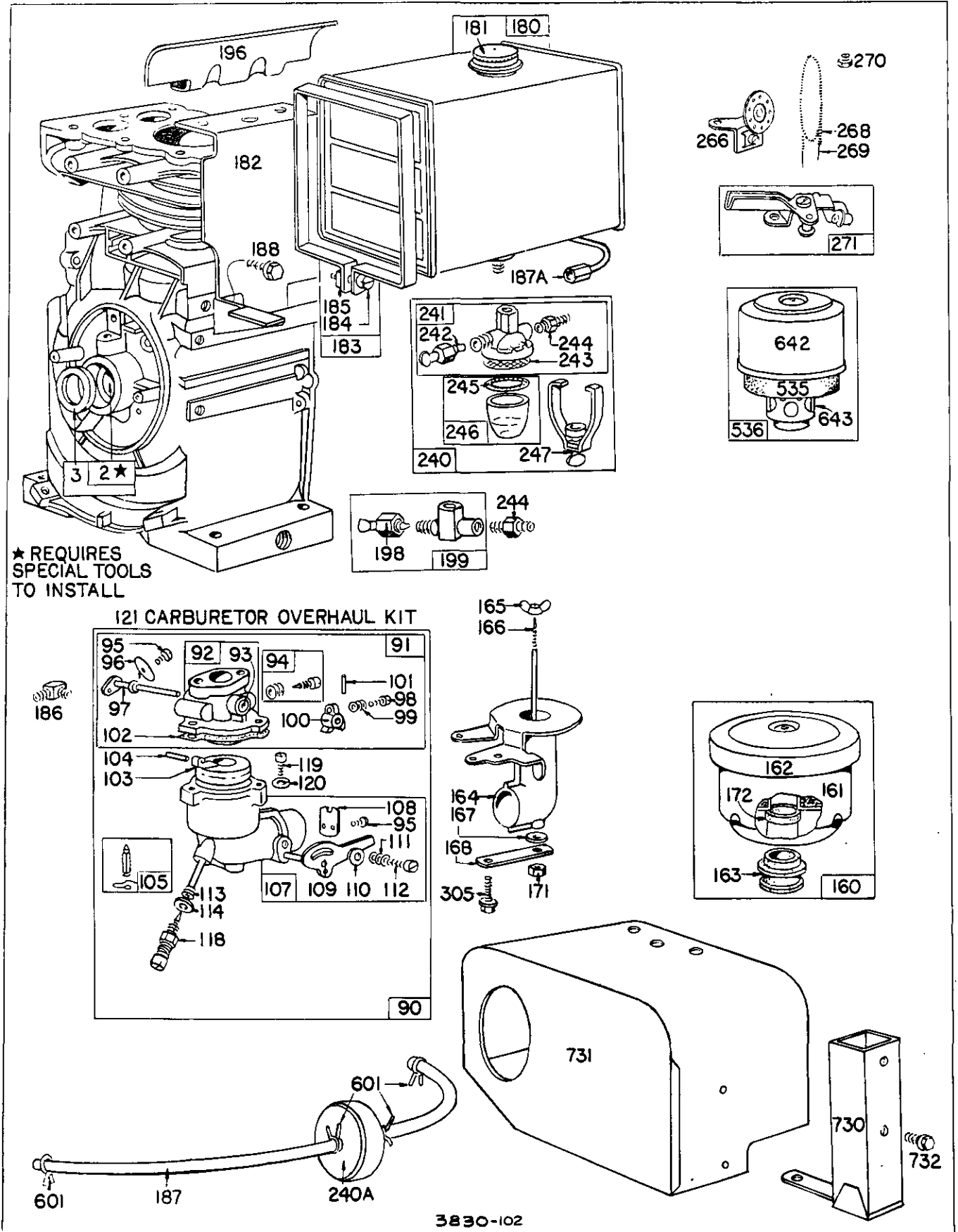
- A. Refer to Engine Model, Type and Serial Number that is stamped on the blower housing or name plate of engine. Engine type numbers such as 0147 01 are listed herein only as 0147. The two digits (01 or 02, etc.) to the right of the space are not needed for parts identification. Then use the Illustrated Parts List covering these Model Series.
- B. Refer to Illustrated Parts section and compare the old part with illustration. The number on the illustration is the Reference Number. Assemblies include all parts shown in frames. All parts shown in assembly frames on which individual reference numbers are given can be purchased separately.
- C. After the Reference Number has been identified, refer to the Numerical Parts List, where Reference and Master Part Numbers are listed. **THE MASTER PART IS USED ON ALL TYPE NUMBERS EXCEPT THOSE TYPE NUMBERS UNDER "NOTE".**
- D. If a "Note" appears below the Master Part Number, this means that this part differs from the Master Part for certain types. If the Type Number is listed under "Note", order the part referred to.
- E. If the Engine Type Number does not appear after any part number listed under "Note", use the Master Part Number.
- F. For Type Numbers higher than those covered by this book, please refer to the factory if you are unable to identify the part by comparison.



146400 to 146466

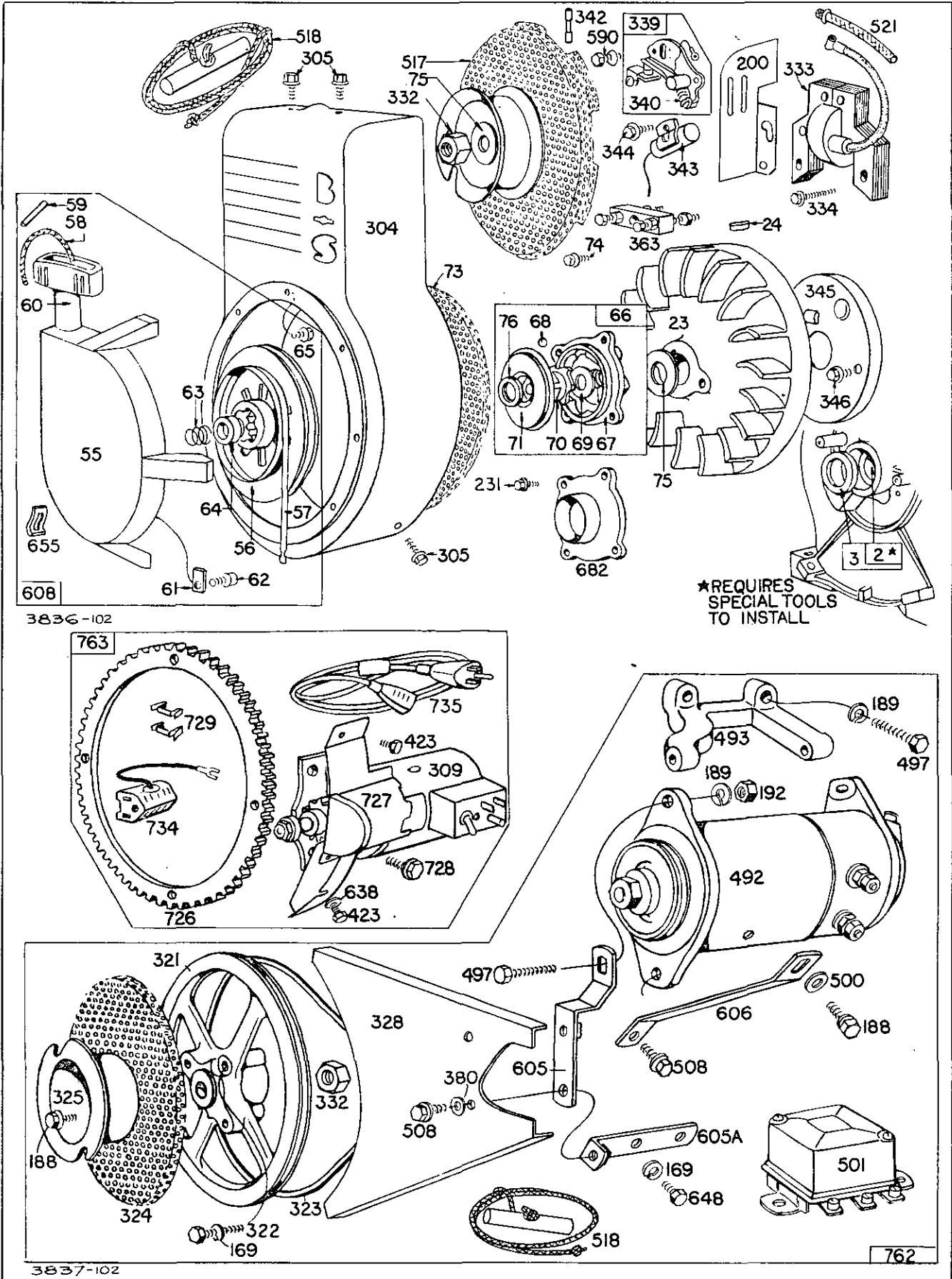


Assemblies include all parts shown in frames.



Assemblies include all parts shown in frames.

146400 to 146466



Assemblies include all parts shown in frames.

146400 to 146466

REF. NO.	PART NO.	DESCRIPTION	REF. NO.	PART NO.	DESCRIPTION	REF. NO.	PART NO.	DESCRIPTION
1	299166	Cylinder Assembly These Cylinders are used on all type Nos. 0010 through 0257.			Used on type Nos. 0037, 0055, 0115, 0116, 0152, 0181, 0194, 0199, 0211, 0220, 0252, 0253, 0256, 0537, 0555, 0615, 0616, 0667, 0697, 0704, 0708, 0730, 0739, 0746, 0749, 0760, 0761, 0763, 0776, 0786.			0188, 0198, 0206, 0207, 0208, 0210, 0217, 0219, 0221, 0224, 0225, 0226, 0234, 0237, 0240, 0254, 0535, 0634, 0642, 0643, 0644, 0645, 0650, 0665, 0672, 0676, 0680, 0681, 0693, 0702, 0712, 0718, 0723, 0727, 0731, 0737, 0747, 0748, 0753, 0769, 0772, 0779, 0783, 0785.
	299548	Cylinder Assembly Used on all type Nos. 0510 through 0789.			0227, 0244, 0257, 0570, 0654, 0656, 0657, 0663, 0671, 0677, 0686, 0716, 0744, 0756, 0757, 0778.			260472 Crankshaft Used on type Nos. 0146, 0150, 0158, 0184, 0185, 0239, 0538, 0539, 0661, 0664, 0670, 0701, 0705, 0706, 0752, 0755, 0766, 0771, 0773, 0775, 0780.
2	295962	Bushing—Cylinder Note: Requires special tools for installation.			260359 Crankshaft Used on type Nos. 0070, 0154, 0157, 0178, 0182, 0222, 0227, 0244, 0257, 0570, 0654, 0656, 0657, 0663, 0671, 0677, 0686, 0716, 0744, 0756, 0757, 0778.			260508 Crankshaft Used on type Nos. 0251, 0784.
3	294606	Seal—Oil			0049, 0075, 0120, 0121, 0134, 0139, 0151, 0159, 0167, 0171, 0175, 0189, 0190, 0196, 0204, 0228, 0229, 0236, 0238, 0248, 0255, 0549, 0575, 0620, 0621, 0633, 0651, 0655, 0669, 0674, 0675, 0682, 0683, 0685, 0692, 0699, 0703, 0709, 0710, 0715, 0721, 0724, 0725, 0735, 0736, 0740, 0750, 0774, 0788.			260586 Crankshaft Used on type Nos. 0141, 0202, 0203, 0659.
4	221822	Plate—Cylinder Baffle Note: Used only on type Nos. 0010 through 0257.			260389 Crankshaft Used on type Nos. 0049, 0075, 0120, 0121, 0134, 0139, 0151, 0159, 0167, 0171, 0175, 0189, 0190, 0196, 0204, 0228, 0229, 0236, 0238, 0248, 0255, 0549, 0575, 0620, 0621, 0633, 0651, 0655, 0669, 0674, 0675, 0682, 0683, 0685, 0692, 0699, 0703, 0709, 0710, 0715, 0721, 0724, 0725, 0735, 0736, 0740, 0750, 0774, 0788.			260607 Crankshaft Used on type Nos. 0010, 0015, 0140, 0142, 0174, 0187, 0197, 0214, 0223, 0231, 0232, 0510, 0515, 0652, 0668, 0679, 0691, 0726.
5	210578	Head—Cylinder Note: 211753 Head—Cylinder (Requires only (1) No. 270340 Gasket) Used on type Nos. 0132, 0234, 0247, 0641, 0723, 0737, 0760.			260423 Crankshaft Used on type Nos. 0036, 0153, 0170, 0209, 0250, 0536, 0653, 0684, 0687, 0714, 0733.			260663 Crankshaft Used on type Nos. 0137, 0246, 0647, 0678, 0743, 0751.
6	22963	Washer—Plain			260425 Crankshaft Used on type Nos. 0035, 0130, 0131, 0132, 0145, 0149, 0165, 0173, 0186,			260865 Crankshaft Used on type Nos. 0191, 0215, 0673, 0734.
7	*270340	Gasket—Cylinder Head						
8	294948	Breather Assembly						
9	*27803	Gasket—Valve Cover						
10	93536	Screw—Breather Mounting Sem						
11	67068	Tube—Breather						
12	*27750	Gasket—Crankcase Cover—1/64" thick						
	*27876	Gasket—Crankcase Cover—.005" thick						
	*27877	Gasket—Crankcase Cover—.009" thick						
13	93210	Screw—Cylinder Head (2-9/32" long)						
14	93211	Screw—Cylinder Head (2-9/16" long)						
15	91084	Plug—Oil Drain Note: 93418 Plug—Oil Drain Used on type Nos. 0162, 0187, 0652.						
16	260315	Crankshaft Note: 260356 Crankshaft Used on type Nos. 0719, 0789. 260358 Crankshaft						

* Included in Gasket Set—
Part No. 295970.

146400 to 146466

REF. NO.	PART NO.	DESCRIPTION	REF. NO.	PART NO.	DESCRIPTION	REF. NO.	PART NO.	DESCRIPTION		
		260729 Crankshaft Used on type No. 0738.			299175 Cover Assy. - Crankcase Used on type Nos. 0049, 0055, 0075, 0120, 0121, 0134, 0139, 0151, 0158, 0159, 0167, 0171, 0175, 0181, 0184, 0185, 0189, 0190, 0196, 0204, 0228, 0229, 0236, 0238, 0239, 0248, 0255, 0549, 0555, 0575, 0620, 0621, 0633, 0651, 0655, 0661, 0667, 0669, 0674, 0675, 0682, 0683, 0685, 0692, 0694, 0699, 0701, 0703, 0705, 0706, 0709, 0710, 0715, 0721, 0724, 0725, 0735, 0736, 0738, 0740, 0746, 0750, 0752, 0766, 0774, 0780, 0788.					298859 Oil Minder Used on type Nos. 0192, 0221, 0248, 0710, 0711, 0722.
17	29530	Bearing-Ball				22	93585	Screw-Crankcase Cover Mounting Sem		
18	299167	Cover Assembly - Crankcase				23	298260	Flywheel-Magneto		
	Note:	299168 Cover Assy. - Crankcase Used on type Nos. 0035, 0036, 0037, 0070, 0115, 0116, 0130, 0131, 0132, 0137, 0144, 0145, 0149, 0150, 0152, 0153, 0154, 0157, 0165, 0170, 0173, 0178, 0182, 0186, 0188, 0194, 0198, 0199, 0206, 0207, 0208, 0209, 0210, 0211, 0215, 0217, 0219, 0220, 0221, 0222, 0224, 0225, 0226, 0227, 0234, 0237, 0240, 0244, 0246, 0250, 0251, 0252, 0253, 0254, 0256, 0257, 0535, 0536, 0537, 0570, 0615, 0616, 0634, 0642, 0643, 0644, 0645, 0647, 0650, 0653, 0654, 0656, 0657, 0663, 0665, 0670, 0671, 0672, 0673, 0676, 0677, 0678, 0680, 0681, 0684, 0686, 0687, 0693, 0697, 0702, 0704, 0708, 0712, 0714, 0716, 0718, 0719, 0723, 0727, 0730, 0731, 0733, 0734, 0737, 0739, 0743, 0744, 0747, 0748, 0749, 0751, 0753, 0756, 0757, 0760, 0761, 0763, 0764, 0769, 0772, 0775, 0776, 0778, 0779, 0783, 0784, 0785, 0786, 0789.					Note:	298533 Flywheel - Magneto Used on type Nos. 0162, 0168, 0201. 299375 Flywheel - Magneto Used on type Nos. 0612, 0614, 0632, 0752, 0780.		
			19	295964	Bushing-Crankcase Cover Note: Requires special tools for installation.	24	61760	Key-Flywheel		
			20	298423	Seal-Oil	25	297692	Piston Assembly-Std. 297693 Piston Assembly - .010" O.S.		
			21	66768	Plug-Oil Filler Note: 298858 Oil Minder Used on type Nos. 0137, 0244, 0246, 0647, 0677, 0678, 0743, 0744, 0751.	297694 Piston Assembly - .020" O.S. 297695 Piston Assembly - .030" O.S.				
					299178 Cover Assy. - Crankcase Used on type Nos. 0169, 0664.	MODEL 146400 SERIES PISTON RING SETS				
					299682 Cover Assy. - Crankcase Used on type No. 0771.	Note:	For Chrome Piston Ring Set-Standard Size-order Part No. 298745.			
					390000 Cover Assy. - Crankcase Used on type Nos. 0191, 0538, 0539, 0773.	26	297815	Ring Set-Piston-Std. Consists of: 210600 Ring-Piston, Comp., Top, Std. 211037 Ring-Piston, Comp., Center, Std. 210602 Ring-Piston, Oil, Standard 297705 Ring Set-Piston - .010" O.S. Consists of: 211241 Ring-Piston, Comp., Top, .010" O.S. 211244 Ring-Piston, Comp., Center, .010" O.S.		

146400 to 146466

REF. NO.	PART NO.	DESCRIPTION	REF. NO.	PART NO.	DESCRIPTION	REF. NO.	PART NO.	DESCRIPTION
		Used on type Nos. 0138, 0158, 0162, 0168, 0201, 0227.		Note:	296725 Body—Upper Carburetor			Needle Valve
75	220865	Washer—Spring			Used on type Nos. 0539, 0755, 0771, 0773, 0775.			68677 Packing
76	68238	Washer—Ratchet Sealing	93	23108	Bushing—Throttle Shaft			Needle Valve
79	296179	Case Assembly—Gear						23118 Nut
80	27884	Gasket—Gear Case to Crankcase Cover	94	†292681	Valve Assembly—Carburetor Idle			Needle Valve
81	220234	Lock—Gear Case Mounting Screw	95	93038	Screw—Throttle and Choke Valve Mtg. Sem	119	90746	Screw—Machine, Fil. Hd. —10-32 x 5/8
82	92502	Screw—Cap	96	62940	Valve—Throttle	120	92290	Washer—Lock—No. 10 x 1/16 x 3/64
83	296052	Shaft Assembly—Drive	97	298826	Shaft and Lever—Throttle	121	295938	Carburetor Overhaul Kit
	Note:	296298 Shaft Assy.—Drive	98	91920	Screw—Machine, Fil. Hd. —8-32 x 5/8"	158	27590	Filter—Carburetor Drain
		Used on type Nos. 0151, 0167, 0175, 0204, 0669, 0675, 0692, 0699, 0715, 0774, 0788.	99	26157	Spring—Throttle Adjustment	159	220521	Retainer—Carburetor Drain Filter
84	92617	Plug—Breather	100	93043	Pin—Throttle Stop	160	296434	Cleaner Assembly—Air
85	91386	Screw—Gear Case Cover Mounting	102	†27918	Gasket—Carburetor Body	161	296704	Bowl—Air Cleaner
86	296053	Cover Assy.—Gear Case	103	99333	Float—Carburetor	162	296270	Cover and Filter—Air Cleaner
87	298423	Seal—Oil	104	†230896	Pin—Float Hing	163	*27907	Gasket—Air Cleaner Mtg.
88	27328	Gasket—Gear Case Cover	105	299096	Valve—Fuel Inlet	164	298410	Pipe Assy.—Air Cleaner
89	91488	Plug—Oil Drain	107	299170	Body Assembly—Lower Carburetor		Note:	295593 Pipe Assy.—Air Cleaner (For Round Oil Bath Air Cleaner)
90	299169	Carburetor Assembly (Manual Choke)		Note:	299895 Body Assy.—Lower Carburetor			Used on type Nos. 0130, 0146, 0223, 0642, 0661, 0752, 0755, 0771, 0773, 0775, 0780, 0782.
	Note:	299177 Carburetor Assy. (Kerosene)	108	221835	Valve—Choke	165	93453	Nut—Wing
		Used on type Nos. 0132, 0234, 0247, 0641, 0723, 0737, 0760.		Note:	62872 Valve—Choke		Note:	92067 Nut—Wing
		299458 Carburetor Assy.			Used on type Nos. 0539, 0755, 0771, 0773, 0775.			Used on type Nos. 0755, 0771, 0773, 0775.
		Used on type Nos. 0212, 0213.	109	298875	Shaft and Lever—Choke	166	230633	Stud—Air Cleaner (8-13/32" long)
		299892 Carburetor Assy. (LP Gas)		Note:	299452 Shaft and Lever—Choke		Note:	230639 Stud—Air Cleaner (9-29/32" long)
		Used on type Nos. 0539, 0755, 0771, 0773, 0775.	110	62899	Washer—Choke Lever			Used on type Nos. 0146, 0661, 0752, 0780.
91	299171	Body Assembly—Upper Carburetor	111	26155	Spring—Choke Lever			
92	295858	Body—Upper Carburetor	112	23123	Screw—Choke Lever			
			113	†390395	Nozzle—Carburetor			
			114	†68667	Gasket—Nozzle			
			118	†99525	Valve—Needle			
				Note:	391213 Valve—Needle			
					Uses: 292226 Retainer Assembly—			

* Included in Gasket Set—Part No. 295970.

† Included in Carburetor Overhaul Kit—Part No. 295938.

146400 to 146466

REF. NO.	PART NO.	DESCRIPTION	REF. NO.	PART NO.	DESCRIPTION	REF. NO.	PART NO.	DESCRIPTION
		230696 Stud—Air Cleaner (5-7/8" long) Used on type Nos. 0755, 0771, 0773, 0775.			Used on type Nos. 0146, 0158, 0162, 0167, 0201, 0223, 0227, 0631, 0632, 0661, 0706, 0720, 0752, 0766, 0780.			0121, 0130, 0131, 0134, 0137, 0139, 0144, 0145, 0146, 0149, 0150, 0152, 0153, 0154, 0157, 0159, 0161, 0165, 0169, 0170, 0174, 0175, 0178, 0179, 0181, 0182, 0183, 0186, 0188, 0189, 0190, 0191, 0192, 0194, 0196, 0197, 0198, 0199, 0204, 0206, 0207, 0208, 0209, 0210, 0211, 0214, 0215, 0217, 0219, 0220, 0221, 0222, 0224, 0225, 0226, 0227, 0228, 0229, 0232, 0236, 0238, 0244, 0246, 0248, 0249, 0250, 0252, 0253, 0254, 0255, 0256, 0257, 0515, 0535, 0536, 0537, 0549, 0555, 0570, 0575, 0615, 0616, 0620, 0621, 0633, 0634, 0635, 0636, 0642, 0643, 0644, 0645, 0647, 0650, 0651, 0653, 0654, 0655, 0656, 0657, 0660, 0661, 0663, 0664, 0665, 0667, 0668, 0669, 0670, 0671, 0672, 0673, 0674, 0675, 0677, 0678, 0679, 0680, 0681, 0682, 0683, 0684, 0685, 0686, 0687, 0691, 0692, 0693, 0694, 0697, 0698, 0702, 0703, 0704, 0708, 0709, 0710, 0711, 0712, 0714, 0715, 0719, 0721, 0722, 0724, 0725, 0727, 0728, 0730, 0731, 0733, 0734, 0735,
		230768 Stud—Air Cleaner Used on type No. 0201.	182	221906	Bracket—Fuel Tank Note: 220858 Bracket—Fuel Tank			
167	66648	Gasket—Air Cleaner Stud			Used on type Nos. 0010 through 0257.			
168	22832	Strap—Air Cleaner Pipe	183	291367	Strap Assy. —Fuel Tank Note: 291490 Strap Assy. —Fuel Tank			
169	90832	Washer—Lock, 1/4" x 3/32" x 5/64"			Used on type Nos. 0055, 0132, 0159, 0161, 0170, 0181, 0183, 0186, 0219, 0219, 0220, 0221, 0222, 0224, 0225, 0226, 0227, 0228, 0234, 0238, 0247, 0250, 0555, 0641, 0667, 0672, 0687, 0694, 0702, 0710, 0711, 0725, 0728, 0741, 0778, 0787.			
170	91468	Screw—Cap, Hex. Hd. — 1/4-20 x 3/8"			Used on type Nos. 0055, 0132, 0159, 0161, 0170, 0181, 0183, 0186, 0219, 0219, 0220, 0221, 0222, 0224, 0225, 0226, 0227, 0228, 0234, 0238, 0247, 0250, 0555, 0641, 0667, 0672, 0687, 0694, 0702, 0710, 0711, 0725, 0728, 0741, 0778, 0787.			
171	92129	Nut—Hex. —1/4-28			Used on type Nos. 0055, 0132, 0159, 0161, 0170, 0181, 0183, 0186, 0219, 0219, 0220, 0221, 0222, 0224, 0225, 0226, 0227, 0228, 0234, 0238, 0247, 0250, 0555, 0641, 0667, 0672, 0687, 0694, 0702, 0710, 0711, 0725, 0728, 0741, 0778, 0787.			
172	27906	Gasket—Air Cleaner			Used on type Nos. 0055, 0132, 0159, 0161, 0170, 0181, 0183, 0186, 0219, 0219, 0220, 0221, 0222, 0224, 0225, 0226, 0227, 0228, 0234, 0238, 0247, 0250, 0555, 0641, 0667, 0672, 0687, 0694, 0702, 0710, 0711, 0725, 0728, 0741, 0778, 0787.			
180	290816	Tank Assy. —Fuel (4 quart) Note: 291488 Tank Assy. —Fuel (6 quart) Used on type Nos. 0055, 0159, 0161, 0170, 0181, 0183, 0186, 0219, 0238, 0250, 0555, 0667, 0672, 0687, 0694, 0702, 0710, 0711, 0725, 0728, 0741, 0778, 0787.			Used on type Nos. 0055, 0132, 0159, 0161, 0170, 0181, 0183, 0186, 0219, 0219, 0220, 0221, 0222, 0224, 0225, 0226, 0227, 0228, 0234, 0238, 0247, 0250, 0555, 0641, 0667, 0672, 0687, 0694, 0702, 0710, 0711, 0725, 0728, 0741, 0778, 0787.			
		291513 Tank Assy. —Combination Fuel Uses: 220863 Washer—Spacer (Used between one boss on cyl. head and tank bracket) Used on type Nos. 0132, 0234, 0247, 0641, 0723, 0737, 0760.	184	91257	Screw—Machine, Fil. Hd. —1/4-20 x 1-1/2"			
		299072 Tank Assy. —Fuel Used on type No. 0136.	185	90970	Nut—Square—1/4-20			
		299072 Tank Assy. —Fuel Used on type No. 0136.	186	67218	Connector—Fuel Pipe (For flexible fuel pipe) Note: For Connector for Metal Fuel Pipe order No. 63377.			
181	69221	Cap—Fuel Tank Note: 297866 Cap—Fuel Tank			Used on type Nos. 0167, 0184, 0237, 0239, 0240, 0251, 0676.			
			187A	294965	Pipe—Fuel Note: All Fuel Pipes in this group are metal pipes. 295690 Pipe—Fuel Used on type Nos. 0010, 0015, 0035, 0036, 0037, 0049, 0055, 0070, 0075, 0115, 0116, 0120,			

146400 to 146466

REF. NO.	PART NO.	DESCRIPTION	REF. NO.	PART NO.	DESCRIPTION	REF. NO.	PART NO.	DESCRIPTION
		211247 Ring—Piston, Oil, .010" O.S.			260444 Valve—Exhaust (With hole in stem) Used on type Nos. 0137, 0144, 0152, 0153, 0154, 0171, 0173, 0178, 0182, 0186, 0189, 0190, 0209, 0211, 0244, 0246, 0250, 0256, 0538, 0539, 0570, 0647, 0653, 0654, 0655, 0656, 0663, 0672, 0677, 0678, 0682, 0697, 0704, 0712, 0721, 0728, 0733, 0734, 0738, 0743, 0744, 0749, 0751, 0755, 0756, 0761, 0762, 0771, 0773, 0775, 0776, 0786.			0751, 0755, 0756, 0761, 0762, 0771, 0773, 0775, 0776, 0786.
	297706	Ring Set—Piston— .020" O.S. Consists of: 211242 Ring—Piston, Comp., Top, .020" O.S. 211245 Ring—Piston, Comp., Center, .020" O.S. 211248 Ring—Piston, Oil, .020" O.S.				35	65906	Spring—Intake Valve
	297707	Ring Set—Piston— .030" O.S. Consists of: 211243 Ring—Piston, Comp., Top, .030" O.S. 211246 Ring—Piston, Comp., Center, .030" O.S. 211249 Ring—Piston, Oil, .030" O.S.				36	65906	Spring—Exhaust Valve
							Note:	26828 Spring—Exhaust Valve Used on type Nos. 0137, 0144, 0152, 0153, 0154, 0171, 0173, 0178, 0182, 0186, 0189, 0190, 0209, 0211, 0244, 0246, 0250, 0256, 0538, 0539, 0570, 0647, 0653, 0654, 0655, 0656, 0663, 0672, 0677, 0678, 0682, 0697, 0704, 0712, 0721, 0728, 0733, 0734, 0738, 0743, 0744, 0749, 0751, 0755, 0756, 0761, 0762, 0771, 0773, 0775, 0776, 0786.
27	68546	Lock—Piston Pin	34	299884	Valve—Intake (Grooved Stem— Includes Retainer No. 221596)			
28	295840	Pin Assembly—Std.			Used after Serial No. 6711030.			
	295841	Pin Assembly— .005" O.S.			Note: 230386 Valve—Intake (With hole in stem) Used before Serial No. 6711060. For Pins and Retainers for this Valve, see Note under Ref. No. 40.	40	221596	Retainer—Valve Spring (Used with Valves with groove in stem after Serial No. 6711030)
29	295838	Rod Assembly—Connecting Note: For Connecting Rod with .020" undersize Crankpin—order No. 298788.			299885 Valve—Intake Used on type Nos. 0137, 0144, 0152, 0153, 0154, 0171, 0173, 0178, 0182, 0186, 0189, 0190, 0209, 0211, 0244, 0246, 0250, 0256, 0538, 0539, 0570, 0647, 0653, 0654, 0655, 0656, 0663, 0672, 0677, 0678, 0682, 0697, 0704, 0712, 0721, 0728, 0733, 0734, 0738, 0743, 0744, 0749,			Note: 230477 Retainer—Valve Spring 230476 Pin—Valve Spring Retainer Used before Serial No. 6711060 with hole in stem except those with Rotocoil. 292260 Rotocoil—Exhaust Valve 230570 Pin—Ex. Valve Rotocoil Retainer 230569 Retainer—Exhaust Valve Rotocoil Used on type Nos. 0137, 0144, 0152, 0153, 0154, 0171, 0173, 0178, 0182,
30	220837	Dipper—Connecting Rod						
31	220811	Lock—Conn. Rod Screw						
32	92659	Screw—Connecting Rod						
33	299885	Valve—Exhaust (Grooved Stem— Includes Retainer No. 221596) Used after Serial No. 6711030. Note: 230385 Valve—Exhaust (With hole in stem) Used before Serial No. 6711060. For Pins and Retainers for this valve see Note under Ref. 40.						

146400 to 146466

REF. NO.	PART NO.	DESCRIPTION	REF. NO.	PART NO.	DESCRIPTION	REF. NO.	PART NO.	DESCRIPTION		
		0186, 0189, 0190, 0209, 0211, 0244, 0246, 0250, 0256, 0538, 0539, 0570, 0647, 0653, 0654, 0655, 0656, 0663, 0672, 0677, 0678, 0682, 0697, 0704, 0712, 0721, 0728, 0733, 0734, 0738, 0743, 0744, 0749, 0751, 0755, 0756, 0761, 0762, 0771, 0773, 0775, 0776, 0786.	65	93106	Screw-Rewind Starter Housing Mounting (10- 32 Thread) Used after Serial No. 6904301.	70	298799	Ratchet-Rewind Starter Clutch Used after Serial No. 6601171.		
				Note:	93163 Screw-Rewind Starter Housing Mounting Sem (10-24 Thread) Used before Serial No. 6905011.			Note: 296916 Ratchet- Rewind Starter Clutch Used before Serial No. 6601181, except that all type Nos. 0055, 0141, 0146, 0181, 0201, 0224, 0227, use part No. 298799 Ratchet.		
45	260933	Tappet-Valve			92290 Washer-Lock (4)	71	221653	Washer-Retainer Used after Serial No. 6601171.		
46	210728	Gear-Cam			90289 Nut-Square (4)			Note: 221301 Washer- Retainer		
50	210705	Elbow-Intake			Used on type Nos. 0055, 0141, 0181, 0224, 0555, 0650, 0659, 0667.			Uses: 26032 Ring- Clutch Retainer Used before Serial No. 6601181, except that all type Nos. 0055, 0141, 0146, 0181, 0201, 0224, 0227 use part No. 221653 Washer.		
51	†*65647	Gasket-Intake Elbow			66	298798	Clutch Assy. -Rewind Starter Used after Serial No. 6601171.	73	221796	Screen-Rewind Starter Used after Serial No. 6601171.
52	*27828	Gasket-Intake Elbow Mounting			Note: 295684 Clutch Assy. - Rewind Starter Used before Serial No. 6601181, except that all type Nos. 0055, 0141, 0146, 0181, 0201, 0224, 0227 use part No. 298798 Clutch.			Note: 220823 Screen-Rewind Starter Used before Serial No. 6601181.		
53	93128	Screw-Carburetor Mounting Sem			67	211383	Housing-Rewind Starter Clutch Used after Serial No. 6601171.			221668 Screen-Rewind Starter Used on all type Nos. 0055, 0141, 0181, 0224, 0555, 0650, 0659, 0667.
54	93208	Screw-Intake Elbow Mounting Sem			Note: 210400 Housing- Rewind Starter Clutch Used before Serial No. 6601181, except that all type Nos. 0055, 0141, 0146, 0181, 0201, 0224, 0227 use part No. 211383 Housing.			74	93042	Screw-Rotating Screen Mounting Sem
55	295272	Housing-Rewind Starter			68	63770	Ball-Clutch			Note: 93014 Screw-Rotating Screen Mounting Sem Used on all type Nos. 0055, 0141, 0181, 0224, 0555, 0650, 0659, 0667.
	Note:	298402 Housing- Rewind Starter Used on type Nos. 0055, 0141, 0181, 0224, 0555, 0650, 0659, 0667.			69	66718	Washer-Starter Clutch, Thrust			93064 Screw-Rotating Screen Mtg. Sem
56	295871	Pulley-Rewind Starter								
57	294303	Spring-Rewind Starter								
58	66564	Rope-Rewind Starter (63" long)								
	Note:	If longer rope is needed, order No. 66574 and cut to required length.								
59	230228	Pin-Starter Grip								
60	66728	Grip-Starter Rope								
61	68848	Bumper-Starter Pulley								
62	93254	Screw-Pulley Bumper Mounting								
63	260414	Spring-Ratchet								
64	230543	Adapter-Ratchet Spring								

* Included in Gasket Set-
Part No. 295970.

† Included in Carburetor Overhaul
Kit-Part No. 295938.

146400 to 146466

REF. NO.	PART NO.	DESCRIPTION	REF. NO.	PART NO.	DESCRIPTION	REF. NO.	PART NO.	DESCRIPTION
		0736, 0738, 0739, 0740, 0741, 0743, 0744, 0746, 0747, 0748, 0749, 0750, 0751, 0753, 0756, 0757, 0761, 0763.	222	299012	Plate—Gov. Control	270	163426	Locknut—Control Wire Casing
		296537 Pipe—Fuel (carburetor to filter)	227	299165	Lever Assy.—Gov.			
		89248 Pipe—Fuel (between filters)	229	220680	Washer	271	290568	Lever Assy.—Control
		92655 Tee	230	221559	Washer—Spacer	300	294599	Muffler—Exhaust
		The above fuel pipes and fitting are used on type Nos. 0132, 0234, 0247, 0641, 0723, 0737, 0760.	231	93064	Screw—Sem			Note: 89953 Muffler—Exhaust
		296633 Pipe—Fuel Used on type No. 0539.	240	295984	Filter Assy.—Fuel (Used with Flexible Fuel Pipe)			Used on type Nos. 0171, 0538, 0539, 0693, 0707, 0734, 0769, 0773, 0785.
					Note: 99910 Filter Assy.—Fuel (Used with Metal Fuel Pipe)			221866 Support—Muffler
			240A	298090	Filter—Fuel (In Fuel Pipe)			Used on type Nos. 0202, 0203.
188	93535	Screw—Sem	241	296005	Cover Assembly—Fuel (Used with Flexible Fuel Pipe)	301	91245	Nipple—Exhaust
189	90366	Washer—Lock, 5/16 x 1/8 x 1/16"			Note: 99909 Cover Assy.—Fuel Filter (Used with Metal Fuel Pipe)	302	91242	Locknut—Muffler and Elbow
		Note: 93507 Washer—Lock Used to mount Pulley on type No. 0202.	242	295913	Valve—Fuel Shut-Off	303	91246	Elbow—Muffler—45°
192	91397	Nut—Hex.—5/16-18	243	22547	Screen—Fuel Filter			Note: 91219 Elbow—Muffler, 45°, Street
196	22907	Support—Upper Fuel Tank	244	230318	Connector—Fuel Pipe (For Flexible Fuel Pipe)			Used on type Nos. 0142, 0151, 0167, 0224, 0225, 0245, 0640, 0650, 0699, 0714, 0726, 0734, 0742.
198	293934	Valve—Fuel Shut-Off			Note: For Connector for Metal Fuel Pipe order No. 53029.			91464 Elbow—Muffler, 90°, Street
199	297563	Outlet—Fuel Tank	245	*68477	Gasket—Fuel Filter Bowl			Used on type Nos. 0146, 0150, 0158, 0160, 0172, 0173, 0176, 0180, 0202, 0203, 0206, 0217, 0218, 0249, 0255, 0538, 0539, 0635, 0636, 0644, 0645, 0660, 0661, 0662, 0666, 0670, 0689, 0690, 0706, 0707, 0740, 0752, 0755, 0758, 0771, 0773, 0774, 0780, 0782.
		Note: Includes 293934 Shut-Off Valve	246	298683	Bowl—Fuel Filter			
200	221760	Guide—Air	247	99665	Yoke—Fuel Filter	304	299853	Housing—Blower
201	260872	Link—Governor	248	221535	Clamp—Casing			Note: 299392 Housing—Blower
206	230149	Nut—Gov. Control Rod	249	291460	Control—Throttle			Used on type Nos. 0612, 0614, 0752, 0780.
207	26855	Spring—Gov. Control Rod	250	65616	Casing—Control Wire—72" long			299412 Housing—Blower
208	230841	Rod—Governor Control			Note: If longer casing is required, specify length in inches; if shorter wire is needed, order No. 65616 and cut to required length.			Used on type Nos. 0631, 0766.
209	260871	Spring—Governor	251	26633	Wire—Control—78" long			
		Note: 260695 Spring—Gov. Used on type Nos. 0245, 0640, 0727, 0774.			Note: If longer wire is required, specify length in inches; if shorter wire is needed, order No. 26633 and cut to required length.			
		260902 Spring—Gov. Used on type No. 0686.						
216	260880	Link—Choke						
217	260903	Spring—Choke Link						
218	221198	Washer—Choke Link						
219	297656	Gear—Governor						
220	221551	Washer—Thrust						

* Included in Gasket Set—Part No. 295970.

146400 to 146466

REF. NO.	PART NO.	DESCRIPTION	REF. NO.	PART NO.	DESCRIPTION	REF. NO.	PART NO.	DESCRIPTION
	299413	Housing—Blower Used on type No. 0632.	309	299329	Motor—Starting (110 Volt)	322	90931	Screw—Cap, Hex. Hd. 1/4-20 x 2-1/4**
	299860	Housing—Blower Used on type Nos. 0112, 0173, 0180, 0184, 0202, 0237, 0239, 0251, 0613, 0690, 0705, 0718, 0759, 0767, 0777, 0784.		(*)	American Bosch-Arma #SME 110-C3 (on Commutator End (Cap))	323	67708	Belt—Vee Note: 68588 Belt—Vee Used on type No. 0781.
	299861	Housing—Blower Used on type No. 0781.		(**)	Made in Japan for B & S No. J282188 (on Main Housing) <i>Replacement Parts</i> for Starter Motor No. 299329 (see list below) <i>Drive Assembly</i> (complete) B & S No. 390094 (*) B & S No. 299963 (**) <i>Drive End Cap Assy.</i> w/Bearing and Bracket. B & S No. 390091 (*) B & S No. 299964 (**) <i>Armature Assembly</i> including Washers. B & S No. 390088 (*) B & S No. 299968 (**) <i>Housing Assembly</i> including Field Coils, and one Brush. B & S No. 390096 (*) B & S No. 299967 (**) <i>Commutator End Cap Assy.</i> including Bushing, Brushes and Springs. B & S No. 390098 (*) (includes Brush Kit No. 390081) B & S No. 299965 (**) (no Brushes included) <i>Thru Bolt Assembly</i> includes Nuts and Lockwashers. B & S No. 390080 (*) B & S No. 299962 (**) <i>Rectifier Assembly</i> including Switch, attached Brush and Gasket. B & S No. 390099 (*) B & S No. 299966 (**)	324	221067	Screen Uses: 93506 Screw 93507 Washer—Lock To mount Screen to Pulley. Used on type No. 0202.
305	93158	Screw—Sem (1/2** long) Note: 92666 Screw—Cap, Hex. Hd. —1/4-20 x 1/2**				325	299307	Pulley and Screen—Rope Starter
	92778	Washer—Lock—Shakeproof Used to mount Blower Housing on type No. 0738.				328	221447	Guard—Belt
	93294	Screw—Blower Housing Mtg. Sem (5/8** long) (At Bottom) Used on type Nos. 0112, 0173, 0180, 0184, 0613, 0690.				332	92284	Nut
306	221005	Shield—Cylinder				333	298968	Armature Assembly Note: Armature for engine type Nos. 0539, 0755, 0771, 0773, 0775 is furnished by the equipment manufacturer—Morrison Pelsue Co., 2001 S. Bannock St., Denver, Colo., 80223; their part No. 2E1110. 299366 Armature Assy. Used on type No. 0738.
307	93163	Screw—Cylinder Shield Mounting Sem				334	93381	Screw—Armature Mtg. Sem
308	220824	Cover—Cylinder Head Note: 221153 Cover—Cyl. Head Used on type Nos. 0070, 0178, 0186, 0209, 0251, 0257, 0570, 0663, 0671, 0672, 0728, 0745, 0784.	321	210899	Pulley—Electric Starter	337	298809	Plug—Spark (1-1/2** high—38 M. M.) Note: Spark Plugs 298809, 29693 and 293918 use Ignition Cable Term. No. 221798. 29693 Plug—Spark (2** high—51 M. M.) 291954 Plug—Spark Used on type No. 0738. 293918 Plug—Spark Used on type Nos. 0154, 0157, 0182, 0538, 0539, 0570, 0654, 0656, 0686,

146400 to 146466

REF. NO.	PART NO.	DESCRIPTION	REF. NO.	PART NO.	DESCRIPTION	REF. NO.	PART NO.	DESCRIPTION		
		0712, 0716, 0756, 0757, 0773, 0775.	501	295924	Regulator—Voltage (Delco-Remy No. 1118988)			Uses: 270055 Spacer Air Cleaner A/C Mounting		
338	29806	Gasket—Spark Plug								
339	29667	Breaker Assy. — Ignition	508	93294	Screw—Sem (5/8" Long)			Used on type Nos. 0755, 0771, 0773, 0775.		
340	26018	Spring—Breaker Arm		Note:	93158 Screw—Sem (1/2" Long)	552	230843	Bushing—Governor Shaft		
342	65704	Plunger—Breaker Point			Used on type No. 0781.	562	92613	Bolt—Governor Lever		
343	29861	Condenser				590	93226	Screw—Breaker Mtg.		
344	93370	Screw—Condenser Mtg. Sem	517	295423	Pulley—Rope Starter	592	90356	Nut—Hex. —10-24		
				Note:	297887 Pulley—Rope Starter	601	93053	Clamp—Fuel Pipe		
345	221046	Cover—Breaker Point			Used on type Nos. 0633, 0669.	605	297187	Bracket—Guard (Upper)		
346	93014	Screw—Hex. Hd.	518	69932	Rope—Starter		Note:	298758 Bracket—Guard (Upper)		
347	221808	Switch—Stop	521	298529	Shielding—Ignition Cable			Used on type No. 0781.		
		Note:		Note:	299367 Shielding—Ignition Cable	605A	297171	Bracket—Guard (Lower)		
		293739 Switch—Stop			Uses: 92704 Term. — Spark Plug	606	221443	Strap—Adjusting		
		Used on type Nos. 0240, 0676, 0756, 0757, 0783.			66298 Insulator—Spark Plug		Note:	221790 Strap—Adjusting		
352	66068	Washer—Insulating			Used on type No. 0738.			Used on type No. 0781.		
353	92791	Washer—Lock—Shakeproof (3)	523	295923	Cap Assy.—Oil Filler			608	295001	Starter Assy.—Rewind (Standard length rope)
354	90576	Nut—Hex. —8-32 (2)		Note:	299279 Cap and Dipstick—Oil Filler			Note:	For Starter Assembly with longer than standard length rope (63") order No. 298107.	
355	66554	Collar—Insulating			Used on type Nos. 0202, 0203, 0673, 0694, 0755, 0774, 0785.			298340 Starter Assy.—Rewind		
356	299500	Wire—Ground	524	65304	Gasket—Oil Filler			Used on type Nos. 0055, 0141, 0181, 0224, 0555, 0650, 0659.		
357	91540	Key—Pulley	525	230553	Pipe—Oil Filler					
358	295970	Gasket Set		Note:	299284 Tube—Filler	614	93306	Cotter—Hair Pin		
362	291630	Shield—Spark Plug (with stop switch)			68838 Seal—Filler Tube to Crankcase Cover	615	93307	Retainer—E-Ring		
					Used on type Nos. 0202, 0203, 0673, 0694, 0755, 0774, 0785.	616	230842	Crank—Governor		
363	19165	Puller—Flywheel (optional accessory)	535	270209	Element—Air Cleaner	621	297472	Switch—Stop		
				Note:	270067 Element—Air Cleaner	626	230749	Spacer—Governor Crank		
380	91324	Washer—Plain			Used on type Nos. 0755, 0771, 0773, 0775.	635	665385	Elbow—Spark Plug		
		Note:				638	264048	Washer		
		62199 Washer—Plain				642	221634	Cover—Air Cleaner		
		Used to mount Guard to Guard Bracket on type No. 0781.				643	280002	Cup—Air Cleaner		
411	93448	Plug—Oil Level Hole	536	298681	Cleaner Assy.—Air	648	91439	Screw—Cap, Hex. Hd. —1/4-20 x 3/8"		
423	93410	Screw—Sem		Note:	297595 Cleaner Assy.—Air	655	221014	Anchor—Spring		
492	296028	Starter—Generator (12 volt)				657	93496	Screw—Sem		
		Delco-Remy No. 1101873 and Pulley—Delco-Remy No. 1949358)								
493	211112	Bracket—Starter								
		Note:								
		211594 Bracket—Starter								
		Used on type Nos. 0613, 0690, 0759, 0767, 0781.								
497	91203	Screw—Cap, Hex. Hd. —5/16-18 x 1-3/4"								
500	91325	Washer—Plain								

146400 to 146466

REF. NO.	PART NO.	DESCRIPTION	REF. NO.	PART NO.	DESCRIPTION	REF. NO.	PART NO.	DESCRIPTION
682	211516	Shield-Starter Clutch	726	299543	Gear, Flywheel Ring (Includes mounting parts)	732	93042	Screw-Sem Used on type Nos.
	Note: 211521	Fan-Starter Clutch				734	299484	Plug-Adaptor
	Uses: 93335	Screw-Sem to mount Fan to Starter Clutch	727	390233	Cover and Shield-Starter	735	390966	Cord-Starter (Includes Adapter Plug)
	0055, 0141, 0181, 0224, 0555, 0650, 0659, 0667.			Note: 221940	Guard-Ring Gear		Note: 390748	Cord-Starter (For Canadian Use Only)
687	298957	Slide-Friction Control		Uses: 92034	Screw (2)	762	297335	Electric Starter-Generator Kit-12 Volt (Low Position)
688	221766	Cap-Friction Spring		90366	Washer-Lock (2)			
689	260847	Spring-Friction			Used to mount Guard on type Nos. 0614, 0752, 0780.	763	299914	Electric Starter Kit-110 Volt (Gear Drive)
690	92484	Screw-Machine, Fil. Hd. -10-32 x 1/2"	728	93523	Screw-Sem		Note: For 12 Volt Gear Drive Starter Kit-order No. 390211.	
			729	221907	Clip-Ground Wire			
			730	299384	Stack Assembly			
			731	299391	Hood Assembly			

