

**146400 to 146468**

# **Illustrated Parts List**

## **MODEL SERIES**

# **146400 to 146468**

### **TYPE NUMBERS**

1010 to 1071

1110 to 1228

1510 to 1540

1610 to 1718

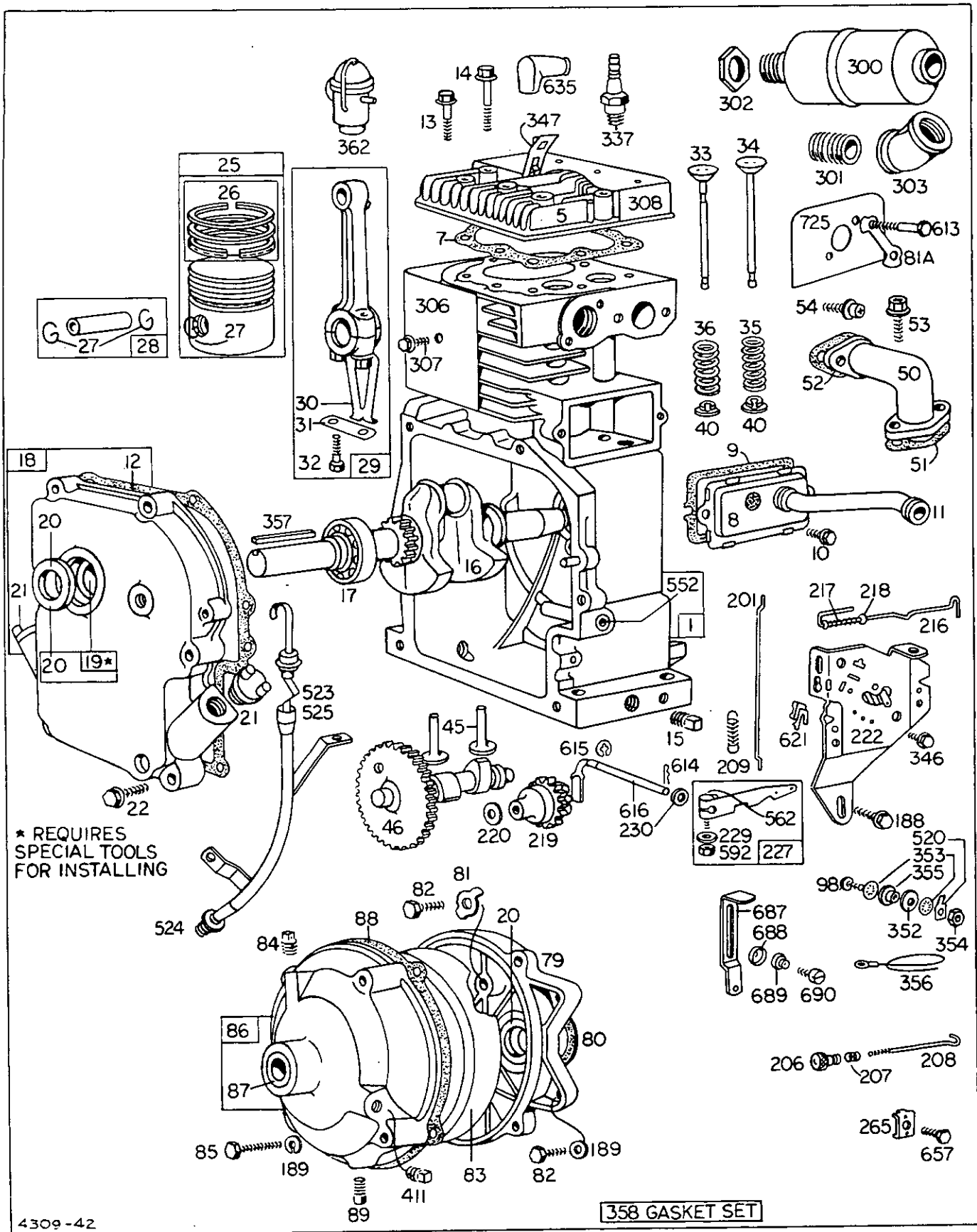
### **TO FIND THE CORRECT NUMBER OF THE PART YOU NEED: FOLLOW THE INSTRUCTIONS BELOW:**

- A. Refer to Engine Model, Type and Code Number that is stamped on the blower housing or name plate of engine. Engine type numbers such as 0147 01 are listed herein only as 0147. The two digits (01 or 02, etc.) to the right of the space are not needed for parts identification. Then use the Illustrated Parts List covering these Model Series.
- B. Refer to Illustrated Parts section and compare the old part with illustration. The number on the illustration is the Reference Number. Assemblies include all parts shown in frames. All parts shown in assembly frames on which individual reference numbers are given can be purchased separately.
- C. After the Reference Number has been identified, refer to the Numerical Parts List, where Reference and Master Part Numbers are listed. **THE MASTER PART IS USED ON ALL TYPE NUMBERS EXCEPT THOSE TYPE NUMBERS UNDER "NOTE"**.
- D. If a "Note" appears below the Master Part Number, this means that this part differs from the Master Part for certain types. If the Type Number is listed under "Note", order the part referred to.
- E. If the Engine Type Number does not appear after any part number listed under "Note", use the Master Part Number.
- F. For Type Numbers higher than those covered by this book, please refer to the factory if you are unable to identify the part by comparison.

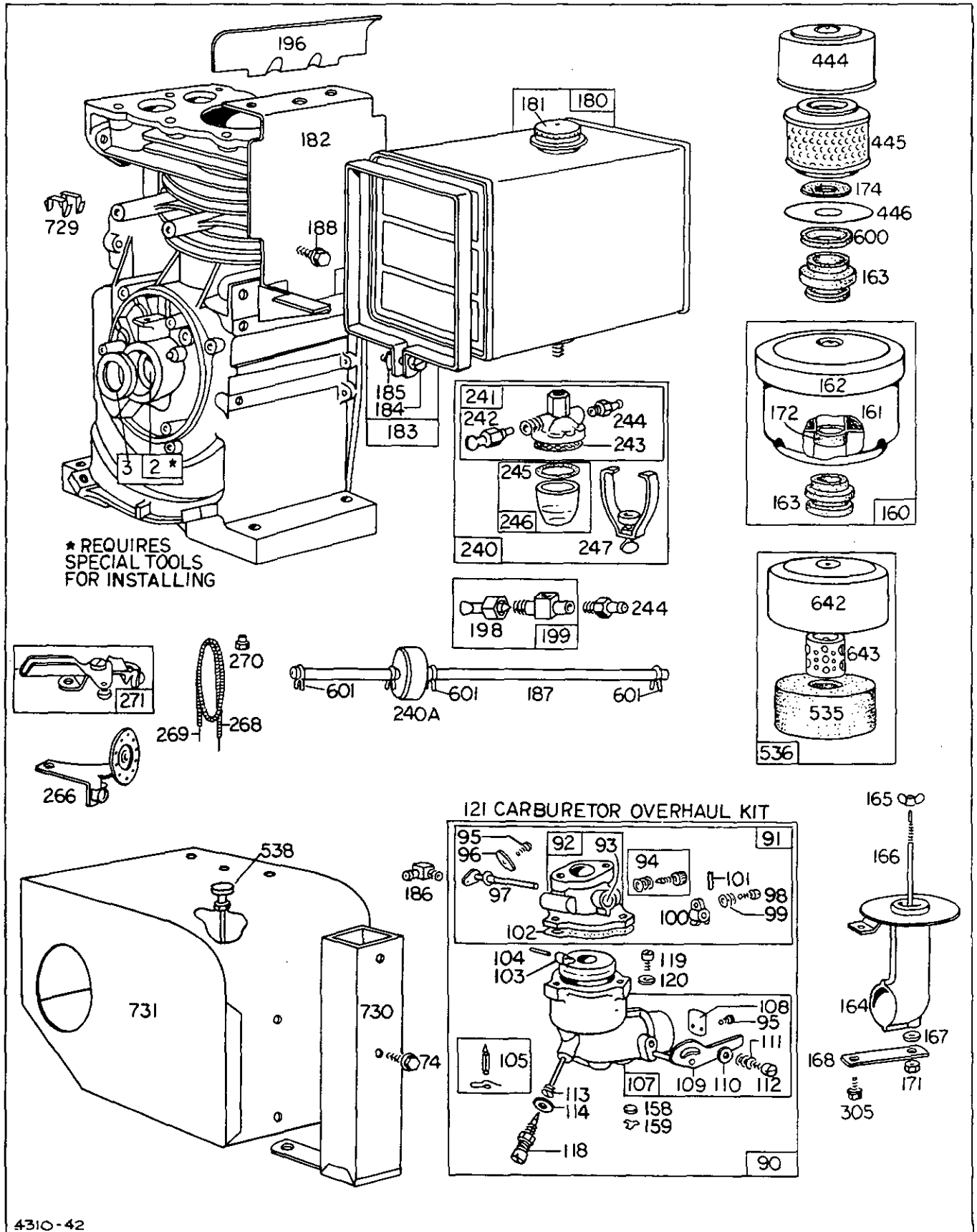
PRINTED IN U.S.A.



# 146400 to 146468

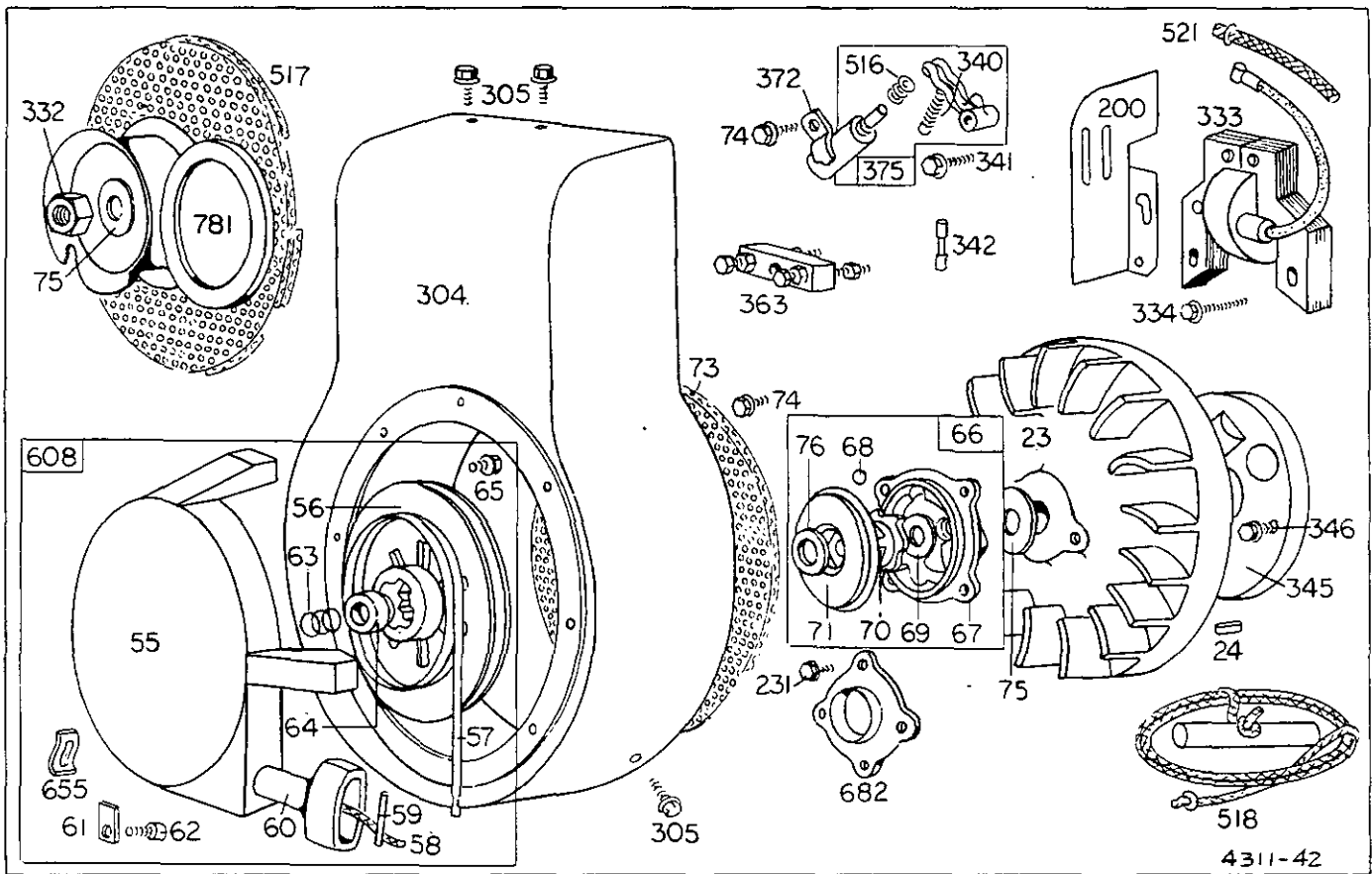


Assemblies include all parts shown in frames.



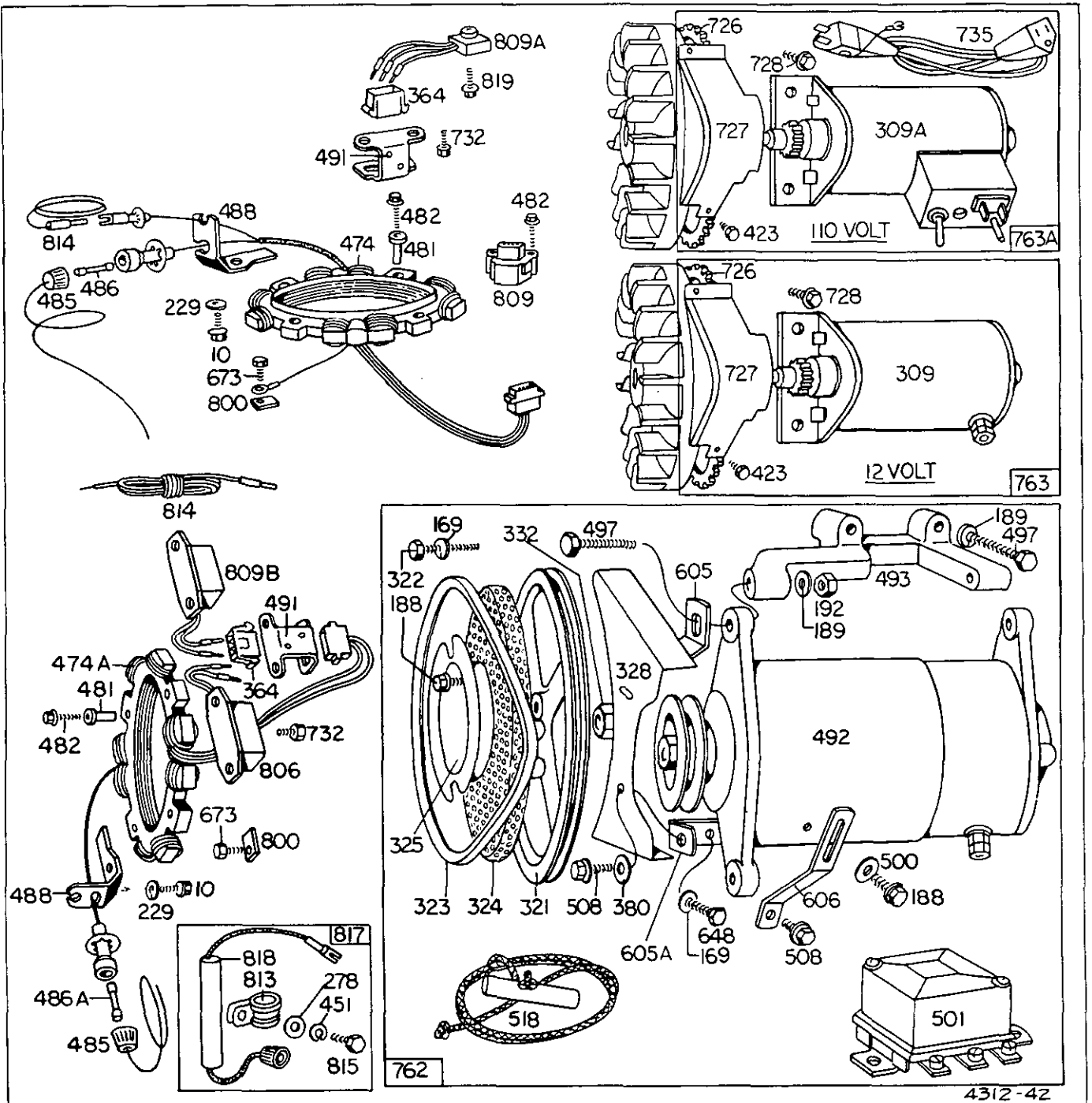
Assemblies include all parts shown in frames.

# 146400 to 146468



Assemblies include all parts shown in frames.

# 146400 to 146468



Assemblies include all parts shown in frames.

# 146400 to 146468

REF. NO.	PART NO.	DESCRIPTION	REF. NO.	PART NO.	DESCRIPTION	REF. NO.	PART NO.	DESCRIPTION
1	390397	Cylinder Assembly		260359	Crankshaft			1116, 1117, 1118, 1119,
2	295962	Bushing-Cylinder			Used on type Nos. 1070,			1124, 1132, 1133, 1134,
	<b>Note:</b>	Requires special tools for installation.			1119, 1132, 1142, 1145,			1136, 1137, 1138, 1140,
3	294606	Seal-Oil			1165, 1169, 1185, 1194,			1141, 1142, 1143, 1145,
5	210578	Head-Cylinder			1210, 1619, 1637, 1638,			1147, 1149, 1151, 1153,
	<b>Note:</b>	211753 Head-Cylinder			1639, 1661, 1663, 1673,			1154, 1157, 1161, 1164,
		Uses: 220863 Washer-Spacer			1674, 1675, 1703, 1708,			1165, 1166, 1169, 1171,
		(Between one Boss on Cylinder Head and Tank Bracket)			1710, 1712.			1173, 1180, 1184, 1185,
		Used on type Nos. 1134, 1162, 1192, 1193, 1220, 1651, 1654, 1656, 1657, 1694.			260389 Crankshaft			1186, 1188, 1192, 1193,
7	*270340	Gasket-Cylinder Head			Used on type Nos. 1049,			1194, 1198, 1201, 1205,
8	390321	Breather Assembly			1120, 1121, 1125, 1144,			1206, 1207, 1209, 1210,
	<b>Note:</b>	294948 Breather Assy.			1146, 1148, 1162, 1167,			1211, 1216, 1219, 1220,
		Used on type Nos. 1039, 1134, 1144, 1152, 1159, 1162, 1187, 1192, 1193, 1203, 1205, 1208, 1211, 1214, 1218, 1220, 1224, 1539, 1633, 1634, 1636, 1644, 1648, 1651, 1654, 1656, 1657, 1659, 1667, 1679, 1687, 1694, 1697.			1168, 1172, 1179, 1187,			1615, 1616, 1617, 1618,
9	*27803	Gasket-Valve Cover			1190, 1199, 1202, 1203,			1619, 1624, 1632, 1637,
10	93536	Screw-Sem			1217, 1620, 1621, 1625,			1638, 1639, 1643, 1651,
11	67068	Tube-Breather			1634, 1635, 1636, 1644,			1652, 1653, 1655, 1656,
12	*27750	Gasket-Crankcase Cover-1/64" thick			1646, 1648, 1650, 1654,			1657, 1658, 1661, 1663,
	*27876	Gasket-Crankcase Cover-.005" thick			1668, 1681, 1697, 1714.			1665, 1666, 1670, 1671,
	*27877	Gasket-Crankcase Cover-.009" thick			260423 Crankshaft			1672, 1673, 1674, 1675,
13	93210	Screw-Cylinder Head (2-9/32" long)			Used on type Nos. 1036,			1676, 1678, 1683, 1685,
14	93211	Screw-Cylinder Head (2-9/16" long)			1118, 1138, 1209, 1618,			1687, 1690, 1691, 1692,
15	91084	Plug-Oil Drain			1683, 1691, 1692.			1693, 1694, 1698, 1700,
	<b>Note:</b>	93418 Plug-Oil Drain (Hex. Socket)			260425 Crankshaft			1701, 1702, 1703, 1706,
		Used on type Nos. 1207, 1658.			Used on type Nos. 1035,			1708, 1710, 1712, 1716,
16	260315	Crankshaft			1117, 1133, 1134, 1136,			1717.
	<b>Note:</b>	260356 Crankshaft			1137, 1140, 1141, 1149,			299175 Cover Assembly-Crankcase
		Used on type No. 1151.			1154, 1157, 1166, 1171,			Used on type Nos. 1049,
		260358 Crankshaft			1186, 1188, 1192, 1205,			1120, 1121, 1125, 1144,
		Used on type Nos. 1037, 1115, 1116, 1124, 1147, 1153, 1164, 1180, 1193, 1198, 1206, 1220, 1225, 1615, 1616, 1624, 1657, 1662, 1665, 1666, 1676, 1694.			1207, 1211, 1219, 1617,			1146, 1148, 1159, 1162,
					1643, 1651, 1652, 1653,			1167, 1168, 1172, 1179,
					1655, 1656, 1658, 1670,			1187, 1190, 1199, 1202,
					1671, 1678, 1685, 1687,			1203, 1217, 1225, 1620,
					1693, 1698, 1700, 1706,			1621, 1625, 1634, 1635,
					1717.			1636, 1640, 1644, 1646,
					260472 Crankshaft			1648, 1650, 1654, 1662,
					Used on type Nos. 1038,			1668, 1681, 1697, 1714.
					1039, 1152, 1159, 1161,			299682 Cover Assembly-Crankcase
					1201, 1208, 1214, 1216,			Used on type Nos. 1152,
					1538, 1539, 1632, 1659,			1208, 1214, 1659, 1667.
					1667, 1672, 1690.			390000 Cover Assembly-Crankcase
					260508 Crankshaft			Used on type Nos. 1038,
					Used on type Nos. 1143,			1039, 1538, 1539.
					1184, 1701, 1702.			19 295964 Bushing-Crankcase Cover
					260607 Crankshaft			<b>Note:</b> Requires special tools for installation.
					Used on type Nos. 1015,			20 298423 Seal-Oil
					1189, 1680, 1711.			21 66768 Plug-Oil Filler
					260667 Crankshaft			<b>Note:</b> 298860 Oil Minder
					Used on type Nos. 1150,			Used on type Nos. 1175,
					1173, 1669.			1688.
					260729 Crankshaft			22 93585 Screw-Crankcase Cover Mounting Sem
					Used on type No. 1640.			23 298260 Flywheel-Magneto
					260865 Crankshaft			<b>Note:</b> 299375 Flywheel-Magneto
					Used on type No. 1716.			
17	29530	Bearing-Ball						
18	299167	Cover Assy.-Crankcase						
	<b>Note:</b>	299168 Cover Assembly-Crankcase						
		Used on type Nos. 1035, 1036, 1037, 1070, 1115,						

\* Included in Gasket Set-Part No. 295970.

# 146400 to 146468

REF. NO.	PART NO.	DESCRIPTION	REF. NO.	PART NO.	DESCRIPTION	REF. NO.	PART NO.	DESCRIPTION
		Used on type Nos. 1112, 1114, 1159, 1218, 1227, 1612, 1614, 1633.						
		<b>390180</b> Flywheel—Magneto						
		Used on type Nos. 1123, 1124, 1125, 1212, 1213, 1623, 1624, 1625, 1706, 1707.						
<b>24</b>	<b>61760</b>	Key—Flywheel				<b>34</b>	<b>261055</b>	Valve—Intake
<b>25</b>	<b>297692</b>	Piston Assembly—Std.				<b>35</b>	<b>65906</b>	Spring—Intake Valve
	<b>297693</b>	Piston Assembly— .010" O.S.				<b>36</b>	<b>65906</b>	Spring—Exhaust Valve
	<b>297694</b>	Piston Assembly— .020" O.S.					<b>Note:</b>	<b>26828</b> Spring—Exhaust Valve
	<b>297695</b>	Piston Assembly— .030" O.S.						Used on type Nos. 1038, 1039, 1070, 1131, 1138, 1142, 1145, 1147, 1152, 1164, 1169, 1171, 1180, 1538, 1539, 1639, 1640, 1661, 1664, 1667, 1674, 1676, 1683, 1694, 1698, 1703, 1710.
<b>MODEL 146400 SERIES PISTON RING SETS</b>								
		<b>Note:</b> For Chrome Piston Ring Set — Standard Size — order Part No. 298745.						
<b>26</b>	<b>297815</b>	Ring Set—Piston—Std. Consists of: <b>210600</b> Ring—Piston, Comp., Top, Std. <b>211037</b> Ring—Piston, Comp., Center, Standard <b>210602</b> Ring—Piston, Oil, Std.						
	<b>297705</b>	Ring Set—Piston— .010" O.S. Consists of: <b>211241</b> Ring—Piston, Comp., Top, .010" O.S. <b>211244</b> Ring—Piston, Comp., Center, .010" O.S. <b>211247</b> Ring—Piston, Oil, .010" O.S.	<b>297706</b>		Ring Set—Piston— .020" O.S. Consists of: <b>211242</b> Ring—Piston, Comp., Top, .020" O.S. <b>211245</b> Ring—Piston, Comp., Center, .020" O.S. <b>211248</b> Ring—Piston, Oil, .020" O.S.			
			<b>297707</b>		Ring Set—Piston— .030" O.S. Consists of: <b>211243</b> Ring—Piston, Comp., Top, .030" O.S. <b>211246</b> Ring—Piston, Comp., Center, .030" O.S. <b>211249</b> Ring—Piston, Oil, .030" O.S.			
			<b>27</b>	<b>68546</b>	Lock—Piston Pin			
			<b>28</b>	<b>295840</b>	Pin Assembly—Standard			
				<b>295841</b>	Pin Assy.—.005" O.S.			
			<b>29</b>	<b>295838</b>	Rod Assy.—Connecting <b>Note:</b> For Connecting Rod with .020" undersize Crank-pin Bore order No. 298788.			
			<b>30</b>	<b>220837</b>	Dipper—Connecting Rod			
			<b>31</b>	<b>220811</b>	Lock—Conn. Rod Screw			
			<b>32</b>	<b>92659</b>	Screw—Connecting Rod			
			<b>33</b>	<b>299885</b>	Valve—Exhaust <b>390420</b> Valve—Exhaust Used on type Nos. 1038, 1039, 1070, 1131, 1138, 1142, 1145, 1147, 1152, 1164, 1169, 1171, 1180, 1538, 1539, 1639, 1640, 1661, 1664, 1667, 1674, 1676, 1683, 1694, 1698, 1703, 1710.			
						<b>40</b>	<b>221596</b>	Retainer—Valve Spring <b>Note:</b> <b>292260</b> Rotocoil—Exhaust Valve <b>93630</b> Retainer—Exhaust Valve Rotocoil Used on type Nos. 1038, 1039, 1070, 1131, 1138, 1142, 1145, 1147, 1152, 1164, 1169, 1171, 1180, 1196, 1208, 1538, 1539, 1631, 1637, 1639, 1640, 1661, 1664, 1667, 1674, 1676, 1683, 1694, 1698, 1703, 1710.
						<b>45</b>	<b>260933</b>	Tappet—Valve
						<b>46</b>	<b>210728</b>	Gear—Cam
						<b>50</b>	<b>211812</b>	Elbow—Intake <b>Note:</b> <b>210705</b> Elbow—Intake Used on type Nos. 1039, 1134, 1152, 1155, 1159, 1162, 1187, 1192, 1193, 1203, 1205, 1208, 1211, 1214, 1218, 1220, 1224, 1539, 1634, 1636, 1644, 1648, 1651, 1654, 1656, 1657, 1667, 1679, 1687, 1690, 1694, 1697.
						<b>51</b>	<b>†*65647</b>	Gasket—Intake Elbow
						<b>52</b>	<b>*27828</b>	Gasket—Intake Elbow Mtg.
						<b>53</b>	<b>93128</b>	Screw—Carburetor Mounting Sem
						<b>54</b>	<b>93208</b>	Screw—Intake Elbow Mounting Sem
						<b>55</b>	<b>295272</b>	Housing—Rewind Starter <b>Note:</b> <b>298402</b> Housing—Rewind Starter Used on type Nos. 1225, 1662.
						<b>56</b>	<b>295871</b>	Pulley—Rewind Starter
						<b>57</b>	<b>294303</b>	Spring—Rewind Starter
						<b>58</b>	<b>66564</b>	Rope—Rewind Starter (63" long) <b>Note:</b> If longer rope is needed, order No. 66574 and cut to required length.
						<b>59</b>	<b>230228</b>	Pin—Starter Grip

\* Included in Gasket Set—Part No. 295970.

† Included in Carburetor Overhaul Kit—Part No. 295938.

# 146400 to 146468

REF. NO.	PART NO.	DESCRIPTION	REF. NO.	PART NO.	DESCRIPTION	REF. NO.	PART NO.	DESCRIPTION
60	66728	Grip—Starter Rope			Used on type Nos. 1144, 1179, 1202, 1203, 1634, 1636, 1644, 1646, 1697, 1714.			Used on type Nos. 1039, 1152, 1208, 1539, 1667.
61	68848	Bumper—Starter Pulley						<b>390776</b> Body Assy.—Lower Carburetor
62	93254	Screw—Pulley Bumper Mounting Sem						Used on type Nos. 1630, 1646, 1655, 1678, 1689, 1695, 1707, 1714, 1715.
63	260414	Spring—Ratchet	84	92617	Plug—Breather	108	221835	Valve—Choke
64	230543	Adapter—Ratchet Spring	85	91386	Screw—Gear Case Cover Mounting		<b>Note:</b>	<b>62872</b> Valve—Choke
65	93067	Screw—Rewind Starter Housing Mounting Sem	86	296053	Cover Assy.—Gear Case Seal—Oil			Used on type Nos. 1039, 1152, 1208, 1539, 1667.
	<b>Note:</b>	230796 Nut—Starter Mounting	87	298423	Gasket—Gear Case Cover Plug—Oil Drain	109	298875	Shaft and Lever—Choke
		93420 Screw—Sem	88	27328	Carburetor Assembly (Manual Choke)		<b>Note:</b>	<b>299452</b> Shaft & Lever—Choke
		92290 Washer—Lock	89	91488	Carburetor Assy. (Kerosene)			Used on type No. 1706.
		90289 Washer—Lock (On Blower Housing) Used on type Nos. 1225, 1662.	90	299169	Used on type Nos. 1134, 1162, 1192, 1193, 1220, 1651, 1654, 1656, 1657, 1694.			<b>390669</b> Shaft and Lever—Choke
66	298798	Clutch Assy.—Rewind Starter			299458 Carburetor Assy. Used on type No. 1706.	110	62899	Washer—Choke Lever
	<b>Note:</b>	211521 Fan—Starter Clutch			299892 Carburetor Assy. (LP Gas)	111	26155	Spring—Choke Lever
		Uses: 93335 Screw—Sem To mount Fan to Starter Clutch			Used on type Nos. 1039, 1152, 1208, 1539, 1667.	112	23123	Screw—Choke Lever
		Used on type Nos. 1225, 1662.			390705 Carburetor Assy. (Choke-A-Matic)	113	†390395	Nozzle—Carburetor
67	211383	Housing—Rewind Starter Clutch			Used on type Nos. 1630, 1646, 1655, 1678, 1689, 1695, 1707, 1715.	114	†68667	Gasket—Nozzle
68	63770	Ball—Clutch	91	299171	Body Assembly—Upper Carburetor	118	†99525	Valve Assembly—Needle
69	66718	Washer—Starter Clutch, Thrust	92	295858	Body—Upper Carburetor		<b>Note:</b>	<b>391213</b> Valve Assy.—Needle
70	298799	Ratchet—Rewind Starter Clutch		<b>Note:</b>	296725 Body—Upper Carburetor			Uses: <b>23118</b> Nut—Needle Valve Packing
71	221653	Washer—Retainer			Used on type Nos. 1039, 1152, 1208, 1539, 1667.			<b>68677</b> Packing—Needle Valve
73	221796	Screen—Rewind Starter	93	23108	Bushing—Throttle Shaft			<b>292226</b> Retainer Assy.—Jet Needle
	<b>Note:</b>	221668 Screen—Rewind Starter	94	†292681	Valve Assembly—Carburetor Idle			Used on type Nos. 1134, 1162, 1192, 1193, 1220, 1651, 1654, 1656, 1657, 1694.
		Used on type Nos. 1225, 1662.	95	93038	Screw—Throttle and Choke Valve Mtg. Sem	119	90746	Screw—Machine, Fil. Hd.—10-32 x 5/8"
74	93042	Screw—Sem	96	62940	Valve—Throttle	120	92290	Washer—Lock—No. 10 x 1/16" x 3/64"
	<b>Note:</b>	93014 Screw—Rotating Screen Mounting (4) (To Fan Blades)	97	298826	Shaft and Lever—Throttle	121	295938	Carburetor Overhaul Kit
		93335 Screw—Fan to Clutch Housing Mtg. (4) Used on type Nos. 1225, 1662.	98	91920	Screw—Machine, Fil. Hd.—8-32 x 5/8"	158	27590	Filter—Carburetor Drain
75	220865	Washer—Spring	99	26157	Spring—Throttle Adjustment	159	220521	Retainer—Carburetor Drain Filter
76	68238	Washer—Ratchet Sealing	100	61967	Stop—Throttle	160	296434	Cleaner Assembly—Air
79	296179	Case Assembly—Gear	101	93043	Pin—Throttle Stop	161	296704	Bowl—Air Cleaner
80	27884	Gasket—Gear Case to Crankcase Cover	102	†27918	Gasket—Carburetor Body	162	296270	Cover and Filter—Air Cleaner
81	220234	Lock—Gear Case Mounting Screw	103	99333	Float—Carburetor	163	*27907	Gasket—Air Cleaner Mtg.
81A	222263	Lock—Screw	104	†230896	Pin—Float Hinge		<b>Note:</b>	<b>27858</b> Gasket—Air Cleaner
82	92502	Screw—Cap	105	299096	Valve—Fuel Inlet			Cleaner
83	296052	Shaft Assembly—Drive	107	299170	Body Assembly—Lower Carburetor			Used on type Nos. 1214, 1659.
	<b>Note:</b>	296298 Shaft Assy.—Drive		<b>Note:</b>	299811 Body Assy.—Lower Carburetor	164	390311	Pipe Assy.—Air Cleaner
					Used on type No. 1706.		<b>Note:</b>	<b>211070</b> Elbow—Air Cleaner
					299895 Body Assy.—Lower Carburetor			

\* Included in Gasket Set—Part No. 295970.

† Included in Carburetor Overhaul Kit—Part No. 295938.



# 146400 to 146468

REF. NO.	PART NO.	DESCRIPTION	REF. NO.	PART NO.	DESCRIPTION	REF. NO.	PART NO.	DESCRIPTION
		Used between Air Cleaner and Stamped Steel Air Cleaner Pipe No. 295593 on type Nos. 1214, 1659.	<b>168</b>	<b>222150</b>	Strap—Air Cleaner Pipe			<b>296537</b> Pipe—Fuel (carburetor to filter)
		<b>295593</b> Pipe Assy. — Air Cleaner (For Round Oil Bath Air Cleaner) Used on type Nos. 1150, 1152, 1159, 1208, 1214, 1218, 1633, 1659, 1667, 1669, 1694.		<b>Note:</b>	<b>22832</b> Strap—Air Cleaner Pipe Used on type Nos. 1039, 1134, 1150, 1152, 1159, 1162, 1187, 1192, 1193, 1203, 1205, 1208, 1211, 1214, 1218, 1220, 1224, 1539, 1633, 1634, 1636, 1644, 1648, 1651, 1654, 1656, 1657, 1659, 1667, 1669, 1679, 1687, 1694, 1697, 1714.			<b>89248</b> Pipe—Fuel (between filters)
		<b>298410</b> Pipe Assy. — Air Cleaner Used on type Nos. 1039, 1134, 1162, 1187, 1192, 1193, 1203, 1205, 1211, 1220, 1224, 1539, 1634, 1636, 1644, 1646, 1648, 1651, 1654, 1656, 1657, 1679, 1687, 1697, 1714.	<b>169</b>	<b>90832</b>	Washer—Lock, 1/4" x 3/32" x 5/64"			<b>92655</b> Tee The above fuel pipes and fitting are used on type Nos. 1134, 1162, 1192, 1193, 1220, 1651, 1654, 1656, 1657, 1694.
<b>165</b>	<b>93453</b>	Nut—Wing	<b>171</b>	<b>92129</b>	Nut—Hex. —1/4-28	<b>188</b>	<b>93535</b>	Screw—Sem
	<b>Note:</b>	<b>92067</b> Nut—Wing Used on type Nos. 1152, 1208, 1667.	<b>172</b>	<b>27906</b>	Gasket—Air Cleaner	<b>189</b>	<b>90366</b>	Washer—Lock, 5/16 x 1/8 x 1/16"
<b>166</b>	<b>230768</b>	Stud—Air Cleaner (9-1/4" long)	<b>174</b>	<b>270730</b>	Gasket—Air Cleaner Mtg.	<b>192</b>	<b>91397</b>	Nut—Hex. —5/16-18
	<b>Note:</b>	<b>230539</b> Stud—Air Cleaner (To Elbow) (6-19/32" long)	<b>180</b>	<b>290816</b>	Tank Assy. —Fuel (4 quart)	<b>196</b>	<b>22907</b>	Support—Upper Fuel Tank
		<b>230697</b> Stud (To Carb.) (6-3/16" long) Uses: <b>91168</b> Nut—Hex—1/4-20		<b>Note:</b>	<b>291488</b> Tank Assy. —Fuel (6 quart) Used on type Nos. 1136, 1168, 1210, 1223, 1225, 1652, 1662, 1704, 1708.	<b>198</b>	<b>293934</b>	Valve—Fuel Shut-Off
		<b>90832</b> Washer—Lock Used on type Nos. 1214, 1659.			<b>291513</b> Tank Assembly—Combination Fuel Used on type Nos. 1134, 1162, 1192, 1193, 1220, 1651, 1654, 1656, 1657, 1694.	<b>199</b>	<b>297563</b>	Outlet—Fuel Tank
		<b>230633</b> Stud—Air Cleaner (8-13/32" long) Used on type Nos. 1039, 1134, 1144, 1162, 1187, 1192, 1193, 1203, 1205, 1211, 1220, 1224, 1539, 1634, 1636, 1644, 1648, 1651, 1654, 1656, 1657, 1679, 1687, 1694, 1697, 1714.	<b>181</b>	<b>69221</b>	Cap—Fuel Tank	<b>200</b>	<b>221760</b>	Guide—Air
		<b>230639</b> Stud—Air Cleaner (9-29/32" long) Used on type Nos. 1159, 1218, 1633.		<b>Note:</b>	<b>297866</b> Cap—Fuel Tank Used on type Nos. 1155, 1159, 1185, 1218, 1633.	<b>201</b>	<b>260872</b>	Link—Governor
		<b>230696</b> Stud—Air Cleaner (5-7/8" long) Used on type Nos. 1152, 1208, 1667.	<b>182</b>	<b>221906</b>	Bracket—Fuel Tank	<b>206</b>	<b>230149</b>	Nut—Gov. Control Rod
<b>167</b>	<b>66648</b>	Gasket—Air Cleaner Stud	<b>183</b>	<b>291367</b>	Strap Assy. —Fuel Tank	<b>207</b>	<b>26855</b>	Spring—Gov. Control Rod
				<b>Note:</b>	<b>291490</b> Strap Assembly—Fuel Tank Used on type Nos. 1134, 1136, 1162, 1168, 1192, 1193, 1210, 1220, 1223, 1225, 1651, 1652, 1654, 1656, 1657, 1662, 1694, 1704, 1708.	<b>208</b>	<b>230841</b>	Rod—Governor Control
			<b>184</b>	<b>91257</b>	Screw—Machine, Fil. Hd. —1/4-20 x 1-1/2"	<b>209</b>	<b>260695</b>	Spring—Governor
			<b>185</b>	<b>90970</b>	Nut—Square—1/4-20		<b>Note:</b>	<b>260871</b> Spring—Governor Used on type Nos. 1010 thru 1228 except as noted below.
			<b>186</b>	<b>67218</b>	Connector—Fuel Pipe (For flexible fuel pipe)			<b>260695</b> Spring—Governor Used on type Nos. 1141, 1179, 1200, 1213.
				<b>Note:</b>	<b>63377</b> Connector—Fuel Pipe Used on type Nos. 1134, 1162, 1192, 1193, 1220, 1651, 1654, 1656, 1657.	<b>216</b>	<b>261122</b>	Link—Choke
			<b>187</b>	<b>299942</b>	Pipe—Fuel (Flexible) 13-1/2" long		<b>Note:</b>	<b>261091</b> Link—Choke Used on type Nos. 1015, 1130, 1141, 1166, 1179, 1200, 1205, 1213.
				<b>Note:</b>	<b>296004</b> Pipe—Fuel Used on type No. 1200.	<b>217</b>	<b>261119</b>	Spring—Choke Link
							<b>Note:</b>	<b>260903</b> Spring—Choke Link Used on type Nos. 1015, 1130, 1141, 1166, 1179, 1200, 1205, 1213.
						<b>218</b>	<b>221198</b>	Washer—Choke Link
						<b>219</b>	<b>297656</b>	Gear—Governor
						<b>220</b>	<b>221551</b>	Washer—Thrust
						<b>222</b>	<b>390670</b>	Plate—Governor Control
				<b>Note:</b>			<b>Note:</b>	<b>299012</b> Plate—Governor Control

# 146400 to 146468

REF. NO.	PART NO.	DESCRIPTION	REF. NO.	PART NO.	DESCRIPTION	REF. NO.	PART NO.	DESCRIPTION
		Used on type Nos. 1010 thru 1228 except as listed below.	278	22358	Washer—Flat			<b>92778</b> Washer—Lock—Shakeproof
		<b>390166</b> Plate—Governor Control	300	294599	Muffler—Exhaust			Used to mount Blower Housing on type No. 1640.
227	299165	Lever Assy.—Governor		<b>Note:</b>	<b>89953</b> Muffler—Exhaust			<b>93294</b> Screw—Blower Housing Mtg. Sem (5/8" long) (At Bottom)
229	220680	Washer			Used on type Nos. 1038, 1039, 1141, 1166, 1205, 1538, 1539, 1655, 1678.			Used on type Nos. 1113, 1143, 1165, 1183, 1204.
230	221559	Washer—Spacer			<b>297205</b> Muffler—Exhaust			Shield—Cylinder
231	93064	Screw—Sem			Used on type Nos. 1214, 1659.	306	221005	Screw—Cylinder Shield Mtg. Sem
240	295984	Filter Assembly—Fuel			<b>390918</b> Muffler—Exhaust	307	93163	<b>Note:</b> <b>221834</b> Clamp—Hose
	<b>Note:</b>	<b>99910</b> Filter Assy.—Fuel			Uses: <b>222261</b> Deflector			<b>66432</b> Washer—Clamp. Used to mount Fuel Pipe to Cylinder Shield on type No. 1167.
		Used on type Nos. 1134, 1162, 1192, 1193, 1220.			<b>93014</b> Screw—Deflector			<b>220824</b> Cover—Cylinder Head
		<b>295977</b> Filter Assy.—Fuel	301	91245	Used on type Nos. 1703, 1712, 1717.			<b>Note:</b> <b>221153</b> Cover—Cyl. Head
		Used on type No. 1167.	302	91242	Nipple—Exhaust			Used on type Nos. 1132, 1143, 1165, 1169, 1184, 1209, 1210, 1638, 1661, 1675, 1692, 1701, 1702, 1708, 1712, 1717.
240A	298090	Filter—Fuel (In Fuel Pipe)	303	91246	Locknut—Muffler and Elbow	308		Motor—Starting
241	296005	Cover Assembly—Fuel		<b>Note:</b>	<b>91219</b> Elbow—Muffler, 45°, Street			(*) American Bosch—Arma No. SMH 12—A11 (on Commutator End Cap)
	<b>Note:</b>	<b>99909</b> Cover Assembly—Fuel Filter			Used on type Nos. 1170, 1216, 1632, 1690, 1695, 1699.			(**) Made in Japan for B & S No. MMO.5ML (on Main Housing)
		Used on type Nos. 1134, 1162, 1192, 1193, 1220.			<b>91464</b> Elbow—Muffler, 90°, Street	309	390307	Replacement Parts for Starting Motor No. 390307 (see list below)
		<b>296019</b> Cover Assembly—Fuel Filter			Used on type Nos. 1038, 1039, 1150, 1152, 1159, 1161, 1175, 1179, 1182, 1188, 1195, 1207, 1208, 1215, 1218, 1224, 1538, 1539, 1633, 1641, 1646, 1649, 1658, 1667, 1669, 1679, 1688, 1700, 1706, 1711, 1714.			<b>Drive Assembly</b> (complete)
		Used on type No. 1167.	304	299853	Housing—Blower			B & S No. 390443 (*)
242	295913	Valve—Fuel Shut-Off		<b>Note:</b>	<b>299392</b> Housing—Blower			B & S No. 299963 (**)
243	22547	Screen—Fuel Filter			Used on type Nos. 1112, 1114, 1123, 1124, 1125, 1159, 1212, 1213, 1218, 1227, 1612, 1614, 1623, 1624, 1625, 1633, 1706, 1707.			<b>Drive End Cap Assembly</b> w/Bearing and Bracket
244	230318	Connector—Fuel Pipe			<b>299412</b> Housing—Blower			B & S No. 390444 (*)
	<b>Note:</b>	<b>53029</b> Connector			Used on type No. 1155.			B & S No. 390454 (**)
		Used on type Nos. 1134, 1162, 1192, 1193, 1220.			<b>299860</b> Housing—Blower			<b>Armature Assembly</b> including Washers.
		<b>67218</b> Connector—Fuel Pipe			Used on type Nos. 1113, 1143, 1165, 1181, 1183, 1204, 1215, 1224, 1613, 1675, 1679, 1682, 1702, 1705.			B & S No. 390446 (*)
		Used on type No. 1167.			<b>299861</b> Housing—Blower			B & S No. 390456 (**)
245	*68477	Gasket—Fuel Filter Bowl			Used on type No. 1200.			<b>Housing Assembly</b> including Field Coils.
246	298683	Bowl—Fuel Filter			<b>299862</b> Housing—Blower			B & S No. 390447 (*)
247	99665	Yoke—Fuel Filter			Used on type Nos. 1225, 1662.			B & S No. 390452 (**)
265	221535	Clamp—Casing			<b>299861</b> Housing—Blower			<b>Commutator End Cap Assy.</b> including Bushing, Brushes and Springs.
266	291460	Control—Throttle			Used on type Nos. 1225, 1662.			B & S No. 390448 (*)
268	65616	Casing—Control Wire—72" long			<b>93158</b> Screw—Sem (1/2" long)			B & S No. 390455 (**)
	<b>Note:</b>	If longer casing is required, specify length in inches; if shorter wire is needed, order No. 65616 and cut to required length.	305	93158	<b>Note:</b> <b>92666</b> Screw—Cap, Hex. Hd.—1/4-20 x 1/2			
269	26633	Wire—Control—78" long						
	<b>Note:</b>	If longer wire is required; specify length in inches; if shorter wire is needed, order No. 26633 and cut to required length.						
270	63426	Locknut—Control Wire Casing						
271	290568	Lever Assy.—Control						

\* Included in Gasket Set—Part No. 295970.

# 146400 to 146468

REF. NO.	PART NO.	DESCRIPTION	REF. NO.	PART NO.	DESCRIPTION	REF. NO.	PART NO.	DESCRIPTION
		<b>Thru Bolt Assembly</b> includes Nuts and Lockwashers. B & S No. 390450 (*) B & S No. 299962 (**)	<b>323</b>	<b>67708</b>	Belt-Vee <b>Note:</b> <b>68588</b> Belt-Vee Used on type No. 1200.	<b>364</b>	<b>280081</b>	Socket-Regulator and Rectifier Lead Wire
		<b>Brush Set</b> B & S No. 390449 (*) B & S No. 390990 (**)	<b>324</b>	<b>221067</b>	Screen-Rotating	<b>372</b>	<b>220477</b>	Clamp-Condenser
<b>309A</b>	<b>299329</b>	<b>Motor-Starting</b> American Bosch-Arma No. SME 110-C3 (on Commutator End Cap) (**) Made in Japan for B & S No. J282188. (on Main Housing)	<b>325</b>	<b>299307</b>	Pulley and Screen-Rope Starter	<b>375</b>	<b>294628</b>	Breaker Points and Condenser Set <b>Note:</b> <b>299061</b> Ignition Kit Includes: <b>294628</b> Point Set <b>65704</b> Plunger <b>61760</b> Key-Flywheel
		<b>Replacement Parts for Starting Motor No. 299329</b> (see list below)	<b>328</b>	<b>221447</b>	Guard-Belt			
		<b>Drive Assembly</b> (complete). B & S No. 390094 (*) B & S No. 299963 (**)	<b>332</b>	<b>92284</b>	Nut			
		<b>Drive End Cap Assembly</b> w/Bearing and Bracket. B & S No. 390091 (*) B & S No. 299964 (**)	<b>333</b>	<b>298968</b>	Armature Assembly <b>Note:</b> <b>299366</b> Armature Assy. Used on type No. 1640.	<b>380</b>	<b>91324</b>	Washer-Plain <b>Note:</b> <b>62199</b> Washer-Plain Used on type No. 1200.
		<b>Armature Assembly</b> including Washers. B & S No. 390088 (*) B & S No. 299968 (**)	<b>334</b>	<b>93381</b>	Screw-Armature Mtg. Sem	<b>411</b>	<b>93448</b>	Plug-Oil Level Hole
		<b>Housing Assembly</b> including Field Coils, and one Brush. B & S No. 390096 (*) B & S No. 299967 (**)	<b>337</b>	<b>298809</b>	Plug-Spark (1-1/2" high-38 M.M.) <b>Note:</b> Spark Plugs 298809, 29693 and 293918 use Ignition Cable Terminal No. 221798. <b>29693</b> Plug - Spark (2" high-51 M.M.) <b>291954</b> Plug-Spark Used on type No. 1640. <b>293918</b> Plug-Spark Used on type Nos. 1038, 1039, 1070, 1142, 1194, 1538, 1539, 1637, 1663, 1673, 1674, 1710.	<b>423</b>	<b>93410</b>	Screw-Sem
		<b>Commutator End Cap Assy.</b> including Bushing, Brushes and Springs. B & S No. 390098 (*) (includes Brush Set No. 390081) B & S No. 299965 (**) (no Brushes included)	<b>340</b>	<b>26018</b>	Spring-Breaker Arm	<b>444</b>	<b>390588</b>	Cover-Air Cleaner
		<b>Thru Bolt Assembly</b> includes Nuts and Lockwashers. B & S No. 390080 (*) B & S No. 299962 (**)	<b>341</b>	<b>93381</b>	Screw-Breaker Arm Mounting Sem	<b>445</b>	<b>390492</b>	Cartridge-Air Cleaner
		<b>Rectifier Assembly</b> including Switch, attached Brush and Gasket. B & S No. 390099 (*) B & S No. 299966 (**)	<b>342</b>	<b>65704</b>	Plunger-Breaker Point	<b>446</b>	<b>221969</b>	Support-Air Cleaner
		<b>Pulley-Electric Starter</b>	<b>345</b>	<b>222117</b>	Cover-Breaker Point <b>Note:</b> <b>222170</b> Cover-Breaker Point Used on type Nos. 1155, 1159, 1218, 1633.	<b>451</b>	<b>90364</b>	Washer-Lock- No. 8 x 3/64 x 1/32
<b>321</b>	<b>210899</b>	<b>Screw-Cap, Hex. Hd-1/4-20 x 2-1/4"</b>	<b>346</b>	<b>93014</b>	Screw-Sem <b>Note:</b> <b>91920</b> Screw <b>26157</b> Spring Used on type No. 1706.	<b>474</b>	<b>391222</b>	Stator-Alternator
<b>322</b>	<b>90931</b>		<b>347</b>	<b>221808</b>	Switch-Stop <b>Note:</b> <b>220197</b> Switch-Stop Used on type Nos. 1214, 1659. <b>293739</b> Switch-Stop Used on type Nos. 1133, 1142, 1771, 1637, 1698.	<b>474A</b>	<b>390185</b>	Stator-Alternator Used on type Nos. 1123, 1124, 1212, 1213. <b>Note:</b> <b>50704</b> Switch and Keys-Ignition <b>299139</b> Switch-Starting <b>295158</b> Ammeter (Stewart-Warner No. 357-W) Used on type No. 1212.
			<b>352</b>	<b>66068</b>	Washer-Insulating	<b>481</b>	<b>230976</b>	Bushing-Stator
			<b>353</b>	<b>92791</b>	Washer-Lock-Shakeproof (3)	<b>482</b>	<b>93621</b>	Screw-Sem
			<b>354</b>	<b>90576</b>	Nut-Hex.-8-32 (2)	<b>485</b>	<b>390888</b>	Knob Assembly-Fuse
			<b>355</b>	<b>66554</b>	Collar-Insulating	<b>486</b>	<b>67125</b>	Fuse-7-1/2 Ampere
			<b>356</b>	<b>299500</b>	Wire-Ground	<b>486A</b>	<b>67345</b>	Fuse-15 Ampere Used on type Nos. 1123, 1124, 1125, 1213.
			<b>357</b>	<b>91540</b>	Key-Pulley	<b>488</b>	<b>222211</b>	Bracket-Fuse
			<b>358</b>	<b>295970</b>	Gasket Set	<b>491</b>	<b>222115</b>	Bracket-Rectifier Plug
			<b>362</b>	<b>291630</b>	Shield-Spark Plug (with stop switch)	<b>492</b>	<b>296028</b>	Starter-Generator (12 volt) (Delco-Remy No. 1101873 and Pulley-Delco-Remy No. 1949358) <b>Note:</b> <b>390555</b> Starter-Generator (12 volt) (Delco-Remy No. 1101695 and Pulley-Delco-Remy No. 1949358) Used on type No. 1200.
			<b>363</b>	<b>19165</b>	Puller-Flywheel (optional accessory)	<b>493</b>	<b>211594</b>	Bracket-Starter
						<b>497</b>	<b>91203</b>	Screw-Cap, Hex. Hd.-5/16-18 x 1-3/4"
						<b>500</b>	<b>91325</b>	Washer-Plain
						<b>501</b>	<b>295924</b>	Regulator-Voltage (Delco-Remy No. 1118988)

# 146400 to 146468

REF. NO.	PART NO.	DESCRIPTION	REF. NO.	PART NO.	DESCRIPTION	REF. NO.	PART NO.	DESCRIPTION
508	93294	Screw—Sem (5/8" Long) <b>Note:</b> For 1/2" long Screw order Part No. 93158.	562	92613	Bolt—Governor Lever	726	299543	Gear, Flywheel Ring (Includes mounting parts)
	93128	Screw—Sem (3) Used to mount Guard to Guard Bracket on type No. 1200.	592	90356	Nut—Hex. —10-24	727	390233	Cover and Shield—Starter <b>Note:</b> 221940 Guard—Ring Gear Uses: 92034 Screw (2) 90366 Washer—Lock (2)
516	260374	Spring—Connector	600	270055	Spacer—Air Cleaner Mig.			Used to mount Guard on type Nos. 1114, 1159, 1218, 1227, 1614, 1633.
517	295423	Pulley—Rope Starter <b>Note:</b> 297887 Pulley—Rope Starter Used on type Nos. 1146, 1635, 1644.	601	93053	Clamp—Fuel Pipe	728	93523	Screw—Sem
518	69932	Rope—Starter	605	297187	Bracket—Guard (Upper) <b>Note:</b> 298758 Bracket—Guard Used on type No. 1200.	729	221907	Clip—Ground Wire
521	298529	Shielding—Ignition Cable <b>Note:</b> 299367 Shielding—Ignition Cable Uses: 92704 Terminal 66298 Insulator—Spark Plug Used on type No. 1640.	605A	297171	Bracket—Guard (Lower)	730	299384	Stack Assembly
			606	221443	Strap—Adjusting <b>Note:</b> 221790 Strap—Adjusting Used on type No. 1200.	731	299391	Hood Assembly
			608	295001	Starter Assy.—Rewind (With standard length rope) <b>Note:</b> For Starter Assembly with longer than standard rope order No. 298107.	732	93490	Screw—Sem
					298340 Starter Assy.—Rewind Used on type Nos. 1225, 1662.	735	390966	Cord—Starter (Includes Adaptor Plug)
523	390848	Cap and Dipstick—Oil Filler <b>Note:</b> 295923 Cap Assy.—Oil Filler Uses: 65304 Gasket—Oil Filler Used on type Nos. 1038, 1039, 1208, 1214, 1538, 1539, 1659, 1667.	613	93704	Screw—Muffler Mounting	762	297335	Electric Starter-Generator Kit—12 Volt (Low Position)
			614	93306	Cotter—Hair Pin	763	390211	Electric Starter Kit—12 Volt (Gear Drive)
			615	93307	Retainer—E-Ring	763A	299914	Electric Starter Kit—110 Volt (Gear Drive)
			616	230842	Crank—Governor	781	280068	Cap—Starter Pulley
			621	297472	Switch—Stop	800	222212	Retainer
			635	66538	Elbow—Spark Plug	806	390545	Regulator—Alternator Used on type Nos. 1123, 1124, 1213.
			642	221468	Cover—Air Cleaner	809	390892	Rectifier—Alternator
			643	280001	Cup—Air Cleaner	809A	390692	Rectifier—Alternator
			648	91439	Screw—Cap, Hex. Hd.—1/4-20 x 3/8"	809B	390546	Rectifier—Alternator Used on type Nos. 1123, 1124, 1213. <b>Note:</b> 390408 Rectifier—Alternator Uses: 230982 Spacer—Mounting Used on type No. 1212.
524	68838	Seal—Filler Tube to Crankcase	655	221014	Anchor—Spring	813	93660	Clamp—Diode
525	299284	Tube—Filler <b>Note:</b> 230553 Pipe—Oil Filler Used on type Nos. 1038, 1039, 1208, 1214, 1538, 1539, 1659, 1667.	657	93496	Screw—Sem	814	390867	Wire Assy.—Alternator
			673	93438	Screw	815	93661	Screw—Sem
			682	211516	Shield—Starter Clutch <b>Note:</b> 211521 Fan—Starter Clutch Uses: 93335 Screw To mount Fan to Starter Clutch Used on type No. 1225, 1662.	817	390624	Diode Assy.—Isolation <b>Note:</b> For Isolation Diode Kit for 7 Amp. Alternator—order No. 390607.
535	270093	Element—Air Cleaner <b>Note:</b> 270067 Element—Air Cleaner Used on type Nos. 1152, 1208, 1667.	687	298957	Slide—Friction Control	818	390608	Diode—Isolation
536	390400	Cleaner Assy.—Air <b>Note:</b> 297595 Cleaner Assy.—Air Used on type Nos. 1152, 1208, 1667.	688	221766	Cap—Friction Spring	819	93680	Screw—Sem
			689	260847	Spring—Friction			
538	390167	Rod—Control	690	92484	Screw—Machine, Fil. Hd.—10-32 x 1/2"			
552	230843	Bushing—Governor Shaft	725	221885	Shield—Heat			