

147400 to 147466

Illustrated Parts List

MODEL SERIES

147400 to 147466

TYPE NUMBERS

0110 through 0229

0610 through 0751

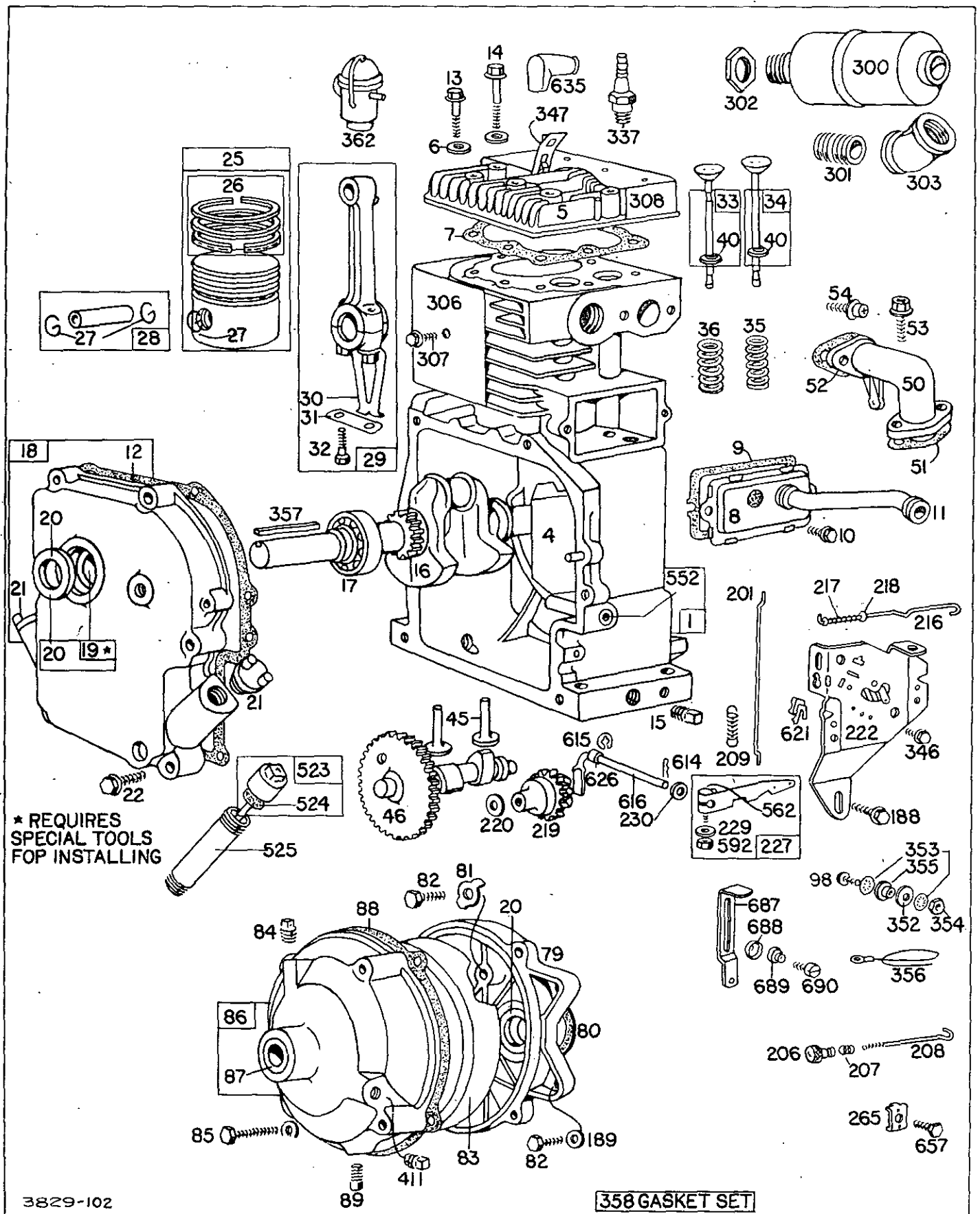
**TO FIND
THE CORRECT NUMBER OF THE PART YOU NEED:
FOLLOW THE INSTRUCTIONS BELOW:**

- A. Refer to Engine Model, Type and Code Number that is stamped on the blower housing or name plate of engine. Engine type numbers such as 0147 01 are listed herein only as 0147. The two digits (01 or 02, etc.) to the right of the space are not needed for parts identification. Then use the Illustrated Parts List covering these Model Series.
- B. Refer to Illustrated Parts section and compare the old part with illustration. The number on the illustration is the Reference Number. Assemblies include all parts shown in frames. All parts shown in assembly frames on which individual reference numbers are given can be purchased separately.
- C. After the Reference Number has been identified, refer to the Numerical Parts List, where Reference and Master Part Numbers are listed. **THE MASTER PART IS USED ON ALL TYPE NUMBERS EXCEPT THOSE TYPE NUMBERS UNDER "NOTE"**.
- D. If a "Note" appears below the Master Part Number, this means that this part differs from the Master Part for certain types. If the Type Number is listed under "Note", order the part referred to.
- E. If the Engine Type Number does not appear after any part number listed under "Note", use the Master Part Number.
- F. For Type Numbers higher than those covered by this book, please refer to the factory if you are unable to identify the part by comparison.

PRINTED IN U.S.A.



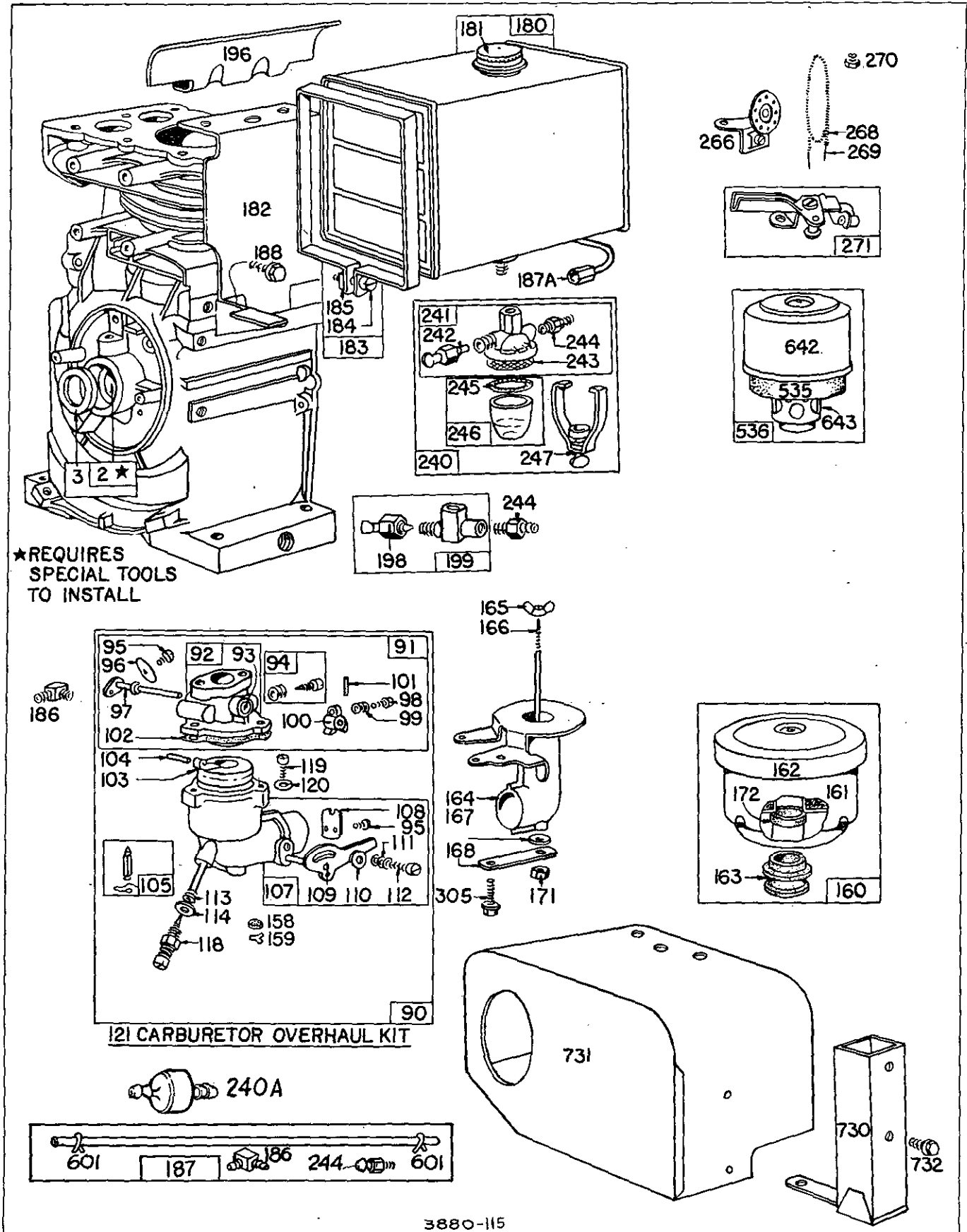
147400 to 147466



3829-102

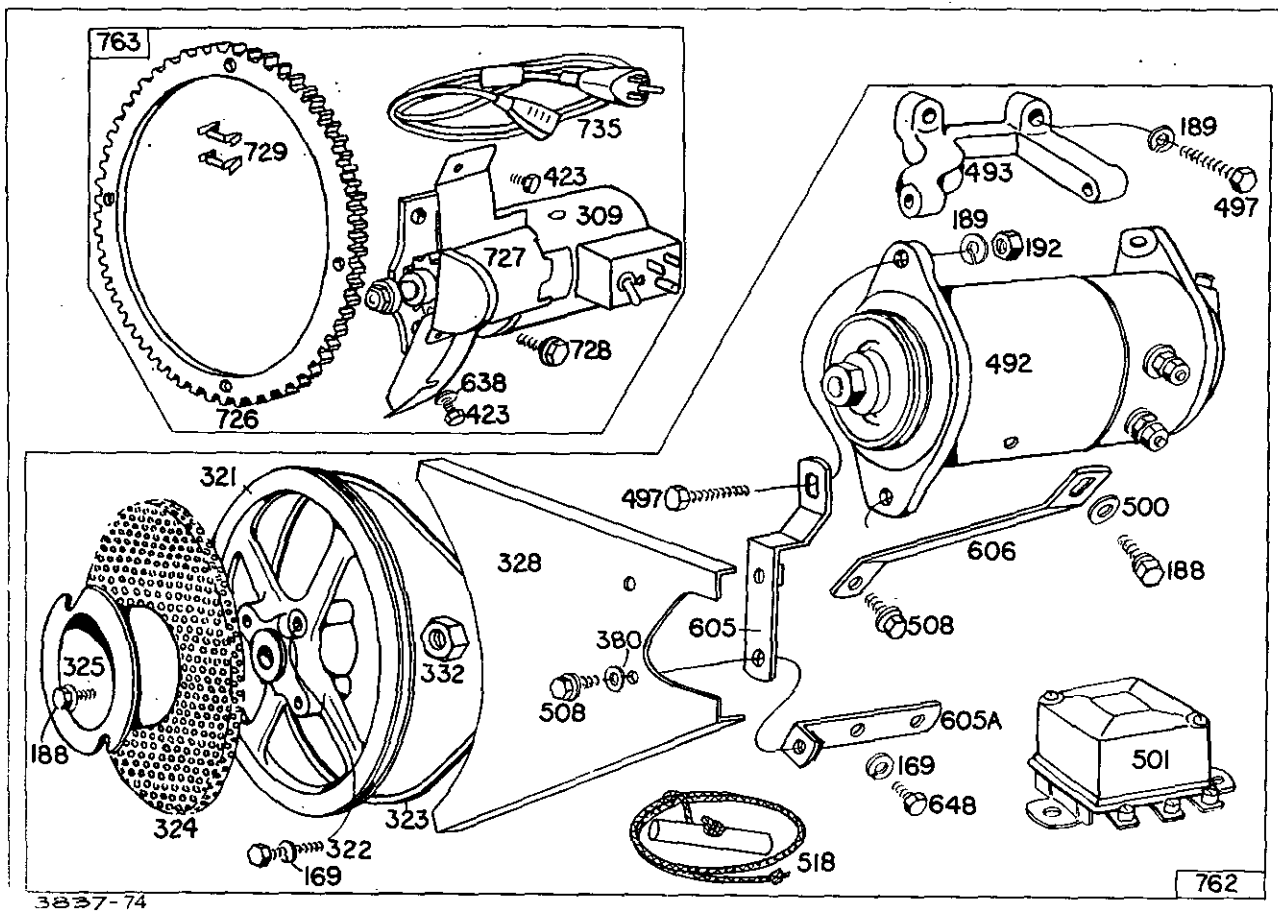
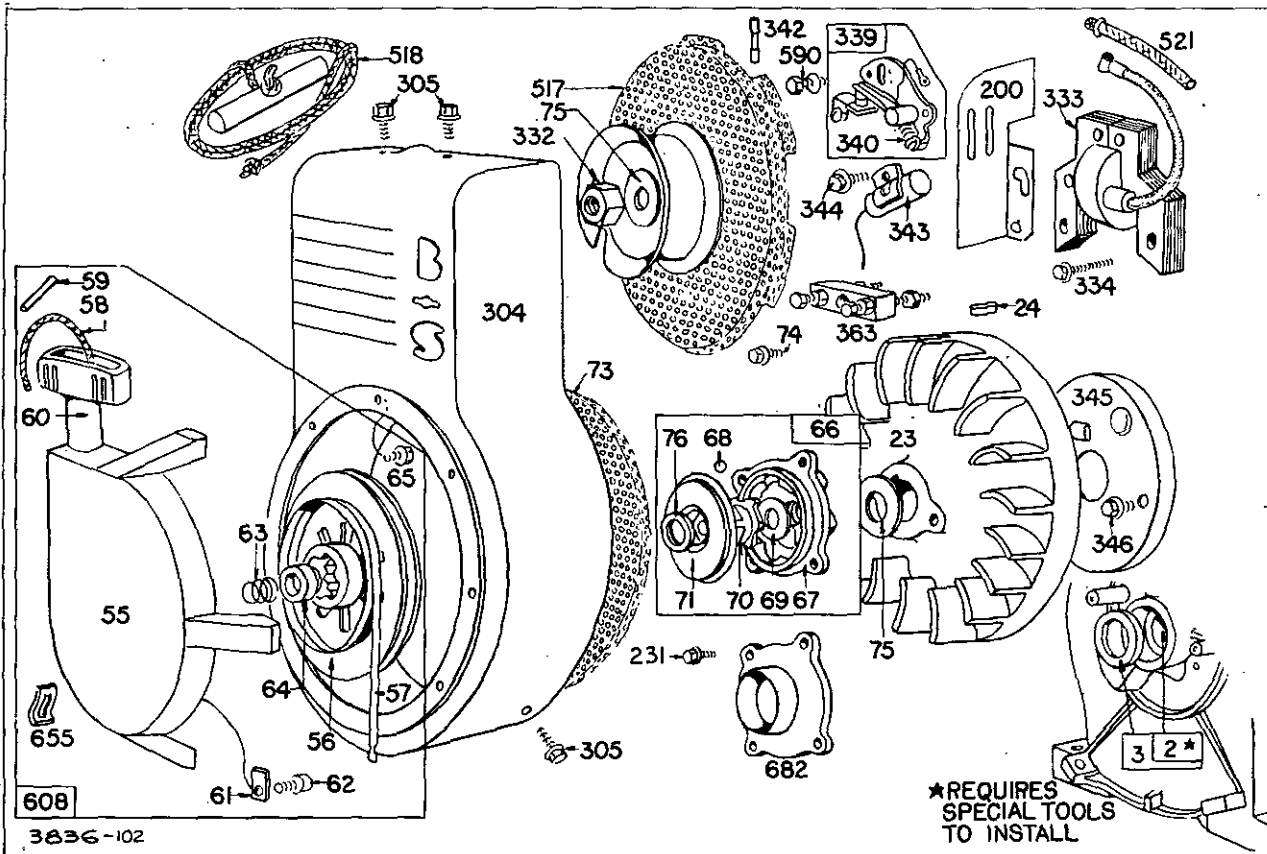
Assemblies include all parts shown in frames

147400 to 147466



Assemblies include all parts shown in frames

147400 to 147466

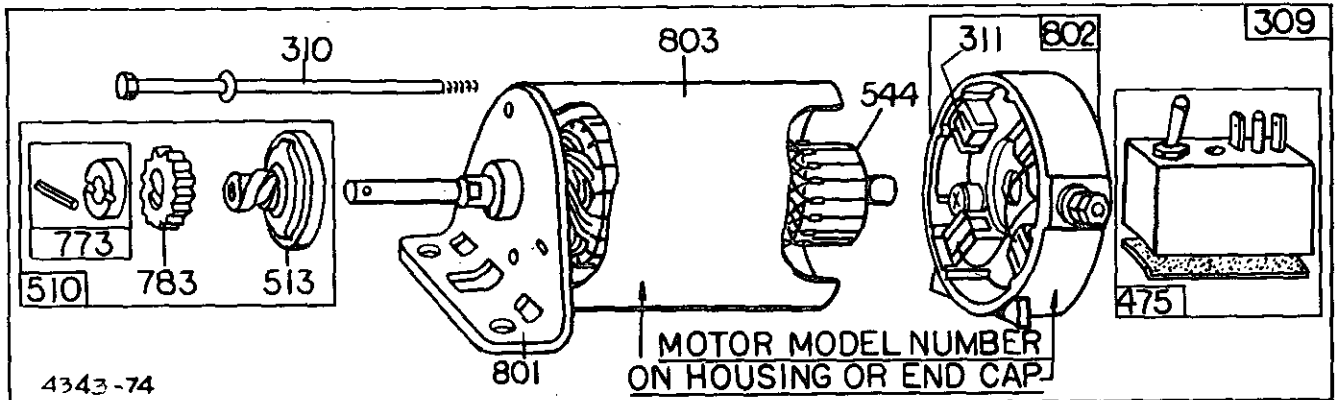


Assemblies include all parts shown in frames.

147400 to 147466

INSTRUCTIONS

To determine the part number of a starter motor, or starter motor part, first identify the starter motor manufacturer and motor model number. See illustration for location. Next, use chart to select part number.



Subject	Ref. No. 309	Ref. No. 510	Ref. No. 801	Ref. No. 544	Ref. No. 803	Ref. No. 802	Ref. No. 311	Ref. No. 310	Ref. No. 475
Starter Motor Mfr. and Motor Model Number	Motor and Drive Assy.	Drive Assembly	End Cap Assy. Drive	Armature Assy.	Housing Assy.	End Cap Assy. Commutator*	Brush Assy.	Thru Bolt Assy.	Rectifier Assy.
American Bosch									
12 V. SMH 12-A11	390307	390443	390444	390446	390447	390448	390449	390450	
12 V. SME 12-A8	299330	390094	390092	390086	390097	390089		390080	
12 V. 01965-23-MO-30-SM	390838	391461**	390444	391607	390447	390448	390449	390450	
110 V. SME 110-C3	299329 †	390094	390091	390088	390096	390098	390081	390080	390099
110 V. SME 110-C6	299556	390094	390092	390088	390095	390098	390081	390080	390084
110 V. SME 110-C8	299764	390094	390093	390088	390096	390098	390081	390080	390099
Mitsubishi									
12 V. MMO-5ML	390307	299963	390454	390456	390452	390455	390990	299962	
12 V. MMO-4FL	299330	299963	390454	390457	390453	390455	390990	299962	
12 V. MOOIT02271	390838	391461**	391585	391584	390452	390455	390990	93771	
110 V. J282188	299329	299963	299964	299968	299967	299965		299962	299966
Briggs & Stratton									
12 V.	390838	391461**	392061	390837	390849	390846	391705	391706	

* Includes Brush Set

** Includes #391135 Clutch Assembly (Ref. No. 513)
 #280104 Gear (Ref. No. 783)
 #391462 Retainer and Pin (Ref. No. 773)

Uses #392247 Switch Shield Assembly

147400 to 147466

REF. NO. 1 - 25

REF. NO.	PART NO.	DESCRIPTION	REF. NO.	PART NO.	DESCRIPTION	REF. NO.	PART NO.	DESCRIPTION
1	299208	Cylinder Assembly These Cylinders are used on all type Nos. 0110 to 0600.		260359	Crankshaft Used on type Nos. 0136, 0139, 0142, 0176, 0181, 0189, 0192, 0201, 0210, 0217, 0223, 0224, 0652, 0654, 0656, 0668, 0677, 0678, 0682, 0684, 0685, 0688, 0690, 0693, 0697, 0698, 0704, 0719, 0732, 0733.		260609	Crankshaft Used on type No. 0215.
	299465	Cylinder Assembly These Cylinders are used on all type Nos. 0600 and up.		260389	Crankshaft Used on type Nos. 0120, 0121, 0133, 0146, 0150, 0153, 0169, 0194, 0196, 0206, 0218, 0620, 0621, 0638, 0639, 0641, 0658, 0695, 0696, 0703, 0705, 0706, 0711, 0723, 0726, 0737.		260663	Crankshaft Used on type No. 0691.
2	295962	Bushing—Cylinder Note: Requires special tools for installation.		260423	Crankshaft Used on type Nos. 0137, 0143, 0144, 0161, 0170, 0636, 0648, 0651, 0666, 0667, 0683, 0739, 0742, 0746, 0749, 0750.	17	29530	Bearing—Ball
3	294606	Seal—Oil		260425	Crankshaft Used on type Nos. 0131, 0132, 0134, 0140, 0145, 0147, 0148, 0149, 0151, 0152, 0158, 0159, 0160, 0173, 0174, 0179, 0182, 0185, 0188, 0190, 0203, 0204, 0208, 0220, 0222, 0227, 0228, 0229, 0631, 0634, 0635, 0637, 0642, 0643, 0645, 0649, 0650, 0659, 0660, 0669, 0671, 0676, 0692, 0699, 0712, 0713, 0715, 0720, 0721, 0724, 0729, 0730, 0731, 0740, 0741, 0743, 0744, 0745, 0748.	18	299167	Cover Assy.—Crankcase Used on <i>Model Series 147401, 147402, 147403, 147404</i> , except as listed under Note: 299682 Cover Assy.—Crankcase Used on Type No. 0680.
4	221822	Plate—Cylinder Baffle		260472	Crankshaft Used on type Nos. 0155, 0202, 0205, 0680.		299178	Cover Assy.—Crankcase Used on <i>Model Series 147431, 147432, 147434</i> .
5	210578	Head—Cylinder Note: 211753 Head—Cylinder Used on type Nos. 0134, 0143, 0145, 0146, 0149, 0187, 0637, 0639, 0655, 0659, 0672, 0683, 0729, 0739, 0746, 0747, 0750.		260508	Crankshaft Used on type Nos. 0219, 0225, 0709.		299175	Cover Assy.—Crankcase Used on <i>Model Series 147412, 147414</i> .
6	22963	Washer—Plain				19	295964	Bushing—Crankcase Cover Note: Requires special tools for installation.
7	*270340	Gasket—Cylinder Head				20	298423	Seal—Oil
8	294948	Breather Assembly				21	66768	Plug—Oil Filler
9	*27803	Gasket—Valve Cover				22	93205	Screw—Crankcase Cover Mtg. Sem
10	93536	Screw—Breather Mtg. Sem				23	298260	Flywheel—Magneto Note: 299375 Flywheel—Magneto Used on type No. 0612.
11	67068	Tube—Breather				24	61760	Key—Flywheel
12	*27750	Gasket—Crankcase Cover—1/64" thick				25	295842	Piston Assy.—Std.
	*27876	Gasket—Crankcase Cover—.005" thick					295846	Piston Assembly—.010" O. S.
	*27877	Gasket—Crankcase Cover—.009" thick					295848	Piston Assembly—.020" O. S.
13	93210	Screw—Cylinder Head (2-9/32" long)					295850	Piston Assembly—.030" O. S.
14	93211	Screw—Cylinder Head (2-9/16" long)						
15	91084	Plug—Oil Drain Note: 93418 Plug—Oil Drain Used on type Nos. 0154, 0155, 0171, 0180, 0207, 0661, 0689, 0741, 0748.						
16	260607	Crankshaft Note: 260358 Crankshaft Used on type Nos. 0115, 0116, 0138, 0141, 0163, 0164, 0165, 0167, 0172, 0175, 0177, 0187, 0193, 0209, 0615, 0616, 0644, 0655, 0657, 0662, 0663, 0670, 0675, 0687, 0701, 0708, 0717, 0736, 0747.						

MODEL 147400 SERIES PISTON RING SETS:
Note: For Chrome Piston Ring Set—standard size—order Part No. 298451.

* Included in Gasket Set—Part No. 295970.

147400 to 147466

REF. NO. 55 - 102

REF. NO.	PART NO.	DESCRIPTION	REF. NO.	PART NO.	DESCRIPTION	REF. NO.	PART NO.	DESCRIPTION
55	295272	Housing—Rewind Starter Note: 297663 Housing—Rewind Starter Uses: 230581 Nut, Mounting (4) 92290 Washer—Lock (4) Used on type No. 0173.			Used after Code No. 6601171.	90	299169	Carburetor Assembly (Manual Choke)
				Note: 210400 Housing—Rewind Starter Clutch Used before Code No. 6601181.			Note: 299177 Carburetor Assy. (Kerosene) Used on type Nos. 0134, 0143, 0145, 0146, 0149, 0187, 0637, 0639, 0655, 0659, 0672, 0683, 0729, 0739, 0746, 0747, 0750.	
56	295871	Pulley—Rewind Starter (Includes 63" Rope) Note: If longer rope is required, order No. 66894 and cut to length.	68	63770	Ball—Clutch			299223 Carburetor Assembly Used on type Nos. 0142, 0654.
			69	66718	Washer—Starter Clutch, Thrust			299309 Carburetor Assembly (Automatic Choke) Used on type Nos. 0204, 0224, 0225.
57	294303	Spring—Rewind Starter	70	298799	Ratchet—Rewind Starter Clutch Used after Code No. 6601171.			
58	66564	Rope—Rewind Starter 63" long for use with Plastic Pulley. Note: If longer rope is required, order No. 66894 and cut to length.			Note: 296916 Ratchet—Rewind Starter Clutch Used before Code No. 6601181.			
			71	221653	Washer—Retainer Used after Code No. 6601171.			
					Note: 221301 Washer—Retainer Uses: 26032 Ring—Clutch Retainer Used before Code No. 6601181.			299310 Carburetor Assembly (Automatic Choke) Used on type No. 0201.
59	230228	Pin—Starter Grip	73	221796	Screen—Rewind Starter Used after Code No. 6601171.			299810 Carburetor Assembly (Manual Choke) Used on type No. 0652.
60	66728	Grip—Starter Rope			Note: 220823 Screen—Rewind Starter Used before Code No. 6601181.	91	299171	Body Assembly—Upper Carburetor
61	68848	Bumper—Starter Pulley						Note: 299311 Body Assy.—Upper Carburetor Used on type Nos. 0201, 0652.
62	93254	Screw—Pulley Bumper Mounting	74	93042	Screw—Rotating Screen Mtg. Sem			
63	260414	Spring—Ratchet	75	220865	Washer—Spring	92	295858	Body—Upper Carburetor
64	230543	Adapter—Ratchet—Spring	76	68238	Washer—Ratchet Sealing			Note: 299312 Body—Upper Carburetor Used on type Nos. 0201, 0652.
65	93572	Screw—Rewind Starter Housing Mounting (10-32 Thread) Used after Code No. 6904301.	79	296179	Case Assembly—Gear			
			80	27884	Gasket—Gear Case to Crankcase Cover	93	23108	Bushing—Throttle Shaft
		Note: 93163 Screw—Rewind Starter Housing Mtg. Sem (10-24 Thread) Used before Code No. 6905011.	81	220234	Lock—Gear Case Mounting Screw			
66	298798	Clutch Assy.—Rewind Starter Used after Code No. 6601171.	82	92502	Screw—Cap	94	† 292681	Valve Assembly—Carburetor Idle
		Note: 295684 Clutch Assy.—Rewind Starter Used before Code No. 6601181.	83	296052	Shaft Assy.—Drive Note: 296298 Shaft Assy.—Drive Used on type No. 0705.			95 93038 Screw—Throttle and Choke Valve Mtg. Sem
67	211383	Housing—Rewind Starter Clutch	84	92617	Plug—Breather	96	62940	Valve—Throttle
			85	91386	Screw—Gear Case Cover Mounting	97	298826	Shaft and Lever—Throttle
			86	296053	Cover Assy.—Gear Case	98	91920	Screw—Machine, Fil. Hd.—8-32 x 5/8"
			87	298423	Seal—Oil	99	26157	Spring—Throttle Adjustment
			88	27328	Gasket—Gear Case Cover	100	61967	Stop—Throttle
			89	91488	Plug—Oil Drain	101	93043	Pin—Throttle Stop
						102	† 27918	Gasket—Carburetor Body

† Included in Carburetor Overhaul Kit—Part No. 295938.

REF. NO.	PART NO.	DESCRIPTION	REF. NO.	PART NO.	DESCRIPTION	REF. NO.	PART NO.	DESCRIPTION
103	99333	Float-Carburetor	158	27590	Filter-Carburetor	169	90832	Washer-Lock, 1/4 x 3/32 x 5/64"
104	† 230896	Pin-Float Hinge	159	220521	Retainer-Carb.	170	91468	Screw-Cap, Hex. Hd. -1/4-20 x 3/8"
105	299096	Valve-Fuel Inlet	160	296434	Drain Filter	171	92129	Cleaner Assembly-Air
107	299170	Body Assembly-Lower Carburetor	161	296704	Cleaner Assembly-Air	172	27906	Bowl-Air Cleaner
	Note:	297496 Body Assy.-Lower Carburetor Used on type Nos. 0201, 0204, 0224, 0225.	162	296270	Cover and Filter-Air Cleaner	180	290816	Gasket-Air Cleaner
108	221835	Valve-Choke	163	*27907	Tank Assy.-Fuel (4 quart)		Note:	291488 Tank Assy.-Fuel (6 quart)
	Note:	22954 Valve-Choke Used on type Nos. 0201, 0204, 0224, 0225.		Note:	27858 Gasket-Air Cleaner Used on type Nos. 0205, 0680.			Used on type Nos. 0204, 0684, 0714, 0727, 0731, 0745.
109	298875	Shaft and Lever-Choke	164	298410	291513 Tank Assy.-Combination Fuel Uses: 220863 Washer-Spacer (Used between one boss on cylinder head and tank bracket)			Used on type Nos. 0134, 0143, 0145, 0146, 0149, 0187, 0637, 0639, 0655, 0659, 0672, 0683, 0729, 0739, 0746, 0747, 0750.
	Note:	296847 Shaft, Lever and Vane Assembly-Automatic Choke Uses: 291040 Lever and Weight Assembly Includes: 90200 Screw (for mtg.) Used on type Nos. 0201, 0204, 0224, 0225.		Note:	211070 Elbow-Air Cleaner Used between Air Cleaner and Stamped Steel Air Cleaner Pipe No. 295593 on type Nos. 0205, 0680.			299072 Tank Assy.-Fuel Used on type No. 0136.
110	62899	Washer-Choke Lever			295593 Pipe Assy.-Air Cleaner (For Round Oil Bath Air Cleaner)	181	69221	Cap-Fuel Tank
111	26155	Spring-Choke Lever			Used on type Nos. 0131, 0133, 0155, 0201, 0205, 0206, 0207, 0229, 0631, 0634, 0638, 0661, 0680, 0705, 0710, 0717, 0726, 0739, 0746, 0747, 0750.	Note:	297866 Cap-Fuel Tank	
112	23123	Screw-Choke Lever	165	93453	Nut-Wing			Used on type No. 0645.
113	† 390395	Nozzle-Carburetor		Note:	92067 Nut-Wing Used on type No. 0705.	182	220858	Bracket-Fuel Tank
114	† 68667	Gasket-Nozzle	166	230633	Stud-Air Cleaner (8-13/32" long)	Note:	221906 Bracket-Fuel Tank	Used on type Nos. 0600 and up.
118	† 99525	Valve-Needle		Note:	230539 Stud-Air Cleaner (to elbow) 6-19/32" long	183	291367	Strap Assy.-Fuel Tank
	Note:	391213 Valve-Needle Uses: 23118 Nut-Needle Valve Packing 68677 Packing-Needle Valve 292226 Retainer Assy.-Jet Needle Used on type Nos. 0134, 0143, 0145, 0146, 0149, 0187, 0637, 0639, 0655, 0659, 0672, 0683, 0729, 0739, 0746, 0747, 0750.			230697 Stud (to carb.) 6-3/16" long Uses: 91168 Nut-Hex. -1/4-20 90832 Washer-Lock	Note:	291490 Strap Assy.-Fuel Tank	Used on type Nos. 0134, 0143, 0145, 0146, 0149, 0187, 0637, 0639, 0655, 0659, 0672, 0683, 0684, 0714, 0727, 0729, 0731, 0739, 0745, 0746, 0747, 0750.
119	90746	Screw-Machine, Fil. Hd. -10-32 x 5/8"			Used on type Nos. 0205, 0680.	184	91257	Screw-Machine, Fil. Hd. -1/4-20 x 1-1/2"
120	92290	Washer-Lock-No. 10 x 1/16" x 3/64"	167	65978	230696 Stud-Air Cleaner (5-7/8" long)			
121	295938	Carburetor Overhaul Kit	168	22832	Used on type No. 0705. Strap-Air Cleaner Pipe			

* Included in Gasket Set-Part No. 295970.

† Included in Carburetor Overhaul Kit-Part No. 295938.

147400 to 147466 REF. NO. 186 - 268

REF. NO.	PART NO.	DESCRIPTION	REF. NO.	PART NO.	DESCRIPTION	REF. NO.	PART NO.	DESCRIPTION
185	90970	Nut-Square-1/4-20		0675, 0676, 0677,	220	221551	Washer-Thrust	
186	67218	Connector-Fuel Pipe (For Flexible Fuel Pipe)		0678, 0680, 0681, 0684, 0685, 0687, 0688, 0690, 0691, 0692, 0693, 0695, 0696, 0697, 0698, 0699, 0701, 0703, 0704, 0706, 0708, 0709, 0711, 0713, 0714, 0715, 0717, 0719, 0720, 0721, 0723, 0724, 0726, 0727, 0730, 0732, 0733, 0736, 0737.	222	299012	Plate-Gov. Control	
	Note:	For Connector for Metal Fuel Pipe order No. 63377.		296537	227	299165	Lever Assembly-Governor	
		92800 Connector-Fuel Pipe		(carburetor to filter)	229	220680	Washer	
		Used on type No. 0173 between Carburetor and Filter.		89248	230	221559	Washer-Spacer	
187	391498	Pipe-Fuel (Flexible)		(between filters)	231	93064	Screw-Sem	
	Note:	296004 Pipe-Fuel (Flexible) 23" long		92655	240	295984	Filter Assembly-Fuel (Used with Flexible Fuel Pipe)	
		Used on type Nos. 0202, 0204, 0225, 0227, 0641, 0650, 0682, 0731.		The above fuel pipes and fitting are used on type Nos. 0134, 0143, 0145, 0146, 0149, 0187, 0637, 0639, 0655, 0659, 0672, 0683, 0729, 0739, 0746, 0747.		Note:	99910 Filter Assy. - Fuel (Used with Metal Fuel Pipe)	
187A	294965	Pipe-Fuel	188	93535	240A	298090	Filter-Fuel (In Fuel Pipe)	
	Note:	All Fuel Pipes in this group are metal pipes.		Note:	241	296005	Cover Assembly-Fuel (Used with Flexible Fuel Pipe)	
		29025 Pipe-Fuel		91449		Note:	99909 Cover Assy. - Fuel Filter (Used with Metal Fuel Pipe)	
		Used on type Nos. 0154, 0689.		230874			296019 Cover Assy. - Fuel Filter (Used on type No. 0641.)	
		295690 Pipe-Fuel		Spacer	242	295913	Valve-Fuel Shut-Off	
		Used on type Nos. 0115, 0116, 0120, 0121, 0131, 0132, 0133, 0136, 0137, 0138, 0139, 0140, 0141, 0142, 0144, 0147, 0148, 0150, 0151, 0152, 0153, 0158, 0159, 0160, 0161, 0163, 0164, 0165, 0167, 0169, 0170, 0171, 0172, 0174, 0175, 0176, 0177, 0179, 0181, 0182, 0185, 0188, 0189, 0190, 0192, 0193, 0194, 0196, 0199, 0203, 0205, 0206, 0207, 0208, 0209, 0210, 0215, 0217, 0218, 0219, 0222, 0223, 0224, 0226, 0228, 0229, 0615, 0616, 0620, 0621, 0631, 0634, 0635, 0636, 0638, 0642, 0644, 0645, 0648, 0649, 0651, 0654, 0656, 0657, 0658, 0660, 0661, 0662, 0663, 0665, 0666, 0667, 0668, 0669, 0670, 0671,		230874	243	22547	Screen-Fuel Filter	
				Used to mount Governor Control Plate on type Nos. 0201, 0204, 0224, 0225.	244	230318	Connector-Fuel Pipe (For Flexible Fuel Pipe)	
			189	90366		Note:	For Connector for Metal Fuel Pipe, order No. 53029.	
				Washer-Lock, 5/16 x 1/8 x 1/16"			67218 Connector-Fuel Pipe	
			192	91397			Used on type No. 0641.	
			196	22907				
				Nut-Hex. -5/16-18	245	*68477	Gasket-Fuel Filter Bowl	
				Support-Upper Fuel Tank	246	298683	Bowl-Fuel Filter	
			198	293934	247	99665	Yoke-Fuel Filter	
				Valve-Fuel Shut-Off	265	221535	Clamp-Casing	
			199	297563	266	291460	Control-Throttle	
				Outlet-Fuel Tank	268	65616	Casing-Control Wire-72" long	
			200	221760		Note:	If longer casing is required, specify length in inches; if shorter casing is needed, order No. 65616 and cut to required length.	
			201	260872				
			206	230149				
				Guide-Air				
			207	26855				
				Link-Governor				
				Nut-Governor Control Rod				
			208	230841				
				Spring-Governor Control Rod				
			209	260871				
				Spring-Governor				
				Note:				
				260695				
				Spring-Governor				
				Used on type Nos. 0216, 0633, 0643, 0712.				
			216	260880				
				Link-Choke				
			217	260903				
				Spring-Choke Link				
			218	221198				
				Washer-Choke Link				
			219	297656				
				Gear-Governor				

* Included in Gasket Set- Part No. 295970.

REF. NO.	PART NO.	DESCRIPTION	REF. NO.	PART NO.	DESCRIPTION	REF. NO.	PART NO.	DESCRIPTION		
269	26633	Wire—Control— 78" long Note: If longer wire is required; specify length in inches; if shorter wire is needed, order No. 26633 and cut to required length.			91464 Elbow—Muffler, 90°, Street Used on type Nos. 0140, 0151, 0156, 0157, 0174, 0178, 0179, 0184, 0197, 0200, 0202, 0220, 0227, 0642, 0643, 0646, 0650, 0664, 0676, 0679, 0710, 0712, 0714, 0731, 0734, 0741, 0748.	307	93163	Screw—Cylinder Shield Mtg. Sem Note: 221834 Clamp—Hose 66432 Washer—Clamp Used to mount Fuel Pipe to Cylinder Shield on type No. 0641.		
270	63426	Locknut—Control Wire Casing				308	220824	Cover—Cylinder Head Note: 221153 Cover—Cyl. Head Used on type Nos. 0136, 0139, 0176, 0192, 0208, 0219, 0223, 0224, 0225, 0226, 0665, 0672, 0678, 0682, 0684, 0685, 0690, 0693, 0698, 0704, 0709, 0732, 0749.		
271	290568	Lever Assy.—Control						309	Motor—Starting (110 Volt) See Chart on Page 5 for Replacement Parts for Starting Motors	
285	260505	Link—Automatic Choke	304	299853	Housing—Blower Note: 221269 Housing—Blower Uses: 221264 Plate—Baffle 93166 Screw—Baffle Plate Mounting (3) Used on type Nos. 0201, 0210, 0224.	321	210899	Pulley—Electric Starter		
286	296838	Thermostat Assembly				322	90931	Screw—Cap, Hex. Hd.—1/4-20 x 2-1/4"		
287	90050	Screw—Machine, Rd. Hd.—6-32 x 1/4"				323	67708	Belt—Vee Note: 68588 Belt—Vee Used on type Nos. 0220, 0643.		
288	90362	Washer—Lock—No. 6 x 3/64 x 1/32"				324	221067	Screen		
289	23886	Support—Thermostat Shaft (outer)				325	299307	Pulley and Screen—Starter		
290	296837	Bracket and Tube				328	221447	Guard—Belt		
291	26594	Thermostat				330	69932	Rope—Starter		
292	23885	Support—Thermostat Shaft (inner)				332	92284	Nut		
293	23884	Stop—Thermostat Shaft				333	298968	Armature Assembly		
294	92678	Screw—Set Socket Hd.—6-32 x 5/16"				334	93381	Screw—Armature Mounting Sem		
295	230624	Shaft—Thermostat				337	298809	Plug—Spark (1-1/2" high—38 M. M.) Note: Spark Plugs 298809, 29693 and 293918 use Ignition Cable Terminal No. 221798. 29693 Plug—Spark (2" high—51 M. M.) 293918 Plug—Spark Used on type Nos. 0142, 0181, 0189, 0201, 0210, 0214, 0652, 0654, 0677, 0697, 0719, 0733.		
296	291044	Lever Assembly—Thermostat						339	29667	Breaker Assy.—Ignition
300	294599	Muffler—Exhaust Note: 89953 Muffler—Exhaust Used on type Nos. 0139, 0179, 0220, 0643, 0690, 0712. 296371 Muffler—Exhaust Used on type Nos. 0201, 0210, 0224, 0225, 0652. 297205 Muffler—Exhaust Used on type Nos. 0205, 0680.						340	26018	Spring—Breaker Arm
301	91245	Nipple—Exhaust								
302	91242	Locknut—Muffler and Elbow	305	93158	Screw—Sem Note: 93128 Screw—Sem Used to mount Guard to Guard Bracket on type Nos. 0220, 0643. 93294 Screw—Sem Used to mount Guard to Guard Bracket on type Nos. 0613, 0682.					
303	91246	Elbow—Muffler—45° Note: 91205 Elbow—Muffler—90° Used on type No. 0204. 91219 Elbow—Muffler, 45°, Street Used on type Nos. 0155, 0213, 0711, 0728, 0739, 0742, 0746.				306	221005	Shield—Cylinder		

147400 to 147466 REF. NO. 342 - 763

REF. NO.	PART NO.	DESCRIPTION	REF. NO.	PART NO.	DESCRIPTION	REF. NO.	PART NO.	DESCRIPTION
342	65704	Plunger-Breaker Point	493	211112	Bracket-Starter	606	221443	Strap-Adjusting
343	29861	Condenser		Note:	211594 Bracket-Starter		Note:	221790 Strap-Adjusting
344	93370	Screw-Condenser Mounting Sem			Used on type No. 0613, 0643, 0682, 0731.			Used on type Nos. 0220, 0643.
345	221046	Cover-Breaker Point	497	91203	Screw-Cap, Hex. Hd.-5/16-18 x 1-3/4"	608	295001	Starter Assembly-Rewind
346	93014	Screw-Hex. Hd.					Note:	For Starter Assembly with longer than standard rope order No. 298107.
347	220884	Switch-Stop (For 1-1/2" High-38 M. M. Spark Plugs)	500	91325	Washer-Plain	610	93337	Pin-Thermostat Shaft
	Note:	221808 Switch-Stop (For 2" High-51 M. M. Spark Plugs)	501	295924	Regulator-Voltage (Delco-Remy No. 1118988)	614	93306	Cotter-Hair Pin
		220197 Switch-Stop Used on type Nos. 0196, 0205, 0680, 0703.	508	93294	Screw-Sem (5/8" long)	615	93307	Retainer-E-Ring
		298926 Switch-Stop Used on type Nos. 0188, 0649.		Note:	For 1/2" long Screw order Part No. 93158.	616	230842	Crank-Governor
352	66068	Washer-Insulating	517	295423	Pulley-Rope Starter	621	297472	Switch-Stop
353	92791	Washer-Lock-Shakeproof (3)	518	69932	Rope-Starter	626	230749	Spacer-Governor Crank
354	90576	Nut-Hex. -8-32 (2)	521	298529	Shielding-Ignition Cable	635	66538	Elbow-Spark Plug
355	66554	Collar-Insulating	523	295923	Cap Assembly-Oil Filler	638	26404	Washer
356	299500	Wire-Ground	524	65304	Gasket-Oil Filler	642	221634	Cover-Air Cleaner
357	91540	Key-Pulley	525	230553	Pipe-Oil Filler	643	280002	Cup-Air Cleaner
358	295970	Gasket Set	535	270209	Element-Air Cleaner	648	91439	Screw-Cap, Hex. Hd. -1/4-20 x 3/8"
362	291360	Shield-Spark Plug (with stop switch)		Note:	270067 Element-Air Cleaner	655	221014	Anchor-Spring
363	19165	Puller-Flywheel (optional accessory)	536	298681	Cleaner Assy.-Air	657	93496	Screw-Sem
380	91324	Washer-Plain		Note:	297595 Cleaner Assembly-Air	682	211516	Shield-Starter Clutch
	Note:	62199 Washer-Plain Used to mount Guard to Guard Bracket on type Nos. 0220, 0643.			Uses: 270055 Spacer-Air Cleaner Mounting	687	298957	Slide-Friction Control
384	62899	Washer-Thermostat			Used on type No. 0705.	687	260847	Cap-Friction Spring
400	230010	Wrench-Socket-Screw	552	230843	Bushing-Governor Shaft	689	221766	Spring-Friction
401	211009	Spacer-Carb. Elbow (Used only on engines equipped with automatic choke)	562	92613	Bolt-Governor Lever	690	92484	Screw-Machine, Fil. Hd. -10-32 x 1/2"
411	93448	Plug-Oil Level Hole	590	93226	Screw-Breaker Mtg.	726	299543	Gear-Flywheel Ring (Includes mounting parts)
423	93410	Screw-Sem	592	90356	Nut-Hex. -10-24	727	390233	Cover and Shield-Starter
492	296028	Starter-Generator (12 volt) (Delco-Remy No. 1101873 and Pulley-Delco-Remy No. 1949358)	601	93053	Clamp-Fuel Pipe	728	93535	Screw-Sem
			605	297187	Bracket-Guard (Upper)	729	221907	Clip-Wire
				Note:	298758 Bracket-Guard (Upper)	730	299384	Stack Assembly
			605A	297171	Bracket-Guard (Lower)	731	299391	Hood Assembly
					Used on type Nos. 0220, 0643.	732	93490	Screw-Sem
						735	390966	Cord-Starter
							Note:	390748 Cord-Starter (For Canadian Use Only)
						762	297335	Electric Starter-Generator Kit-12 Volt (Low Position)
						763	299914	Electric Starter Kit-110 Volt (Gear Drive)