

# Illustrated Parts List

## Model Series

### 170400 to 170499

TYPE NUMBERS  
6015, 6020, 6025,  
6035, 6049, 6070,  
6100, 6102, 6105,  
6111, 6112, 6113,  
6114.

**TO FIND**  
**THE CORRECT NUMBER OF THE PART YOU NEED:**  
**FOLLOW THE INSTRUCTIONS BELOW**

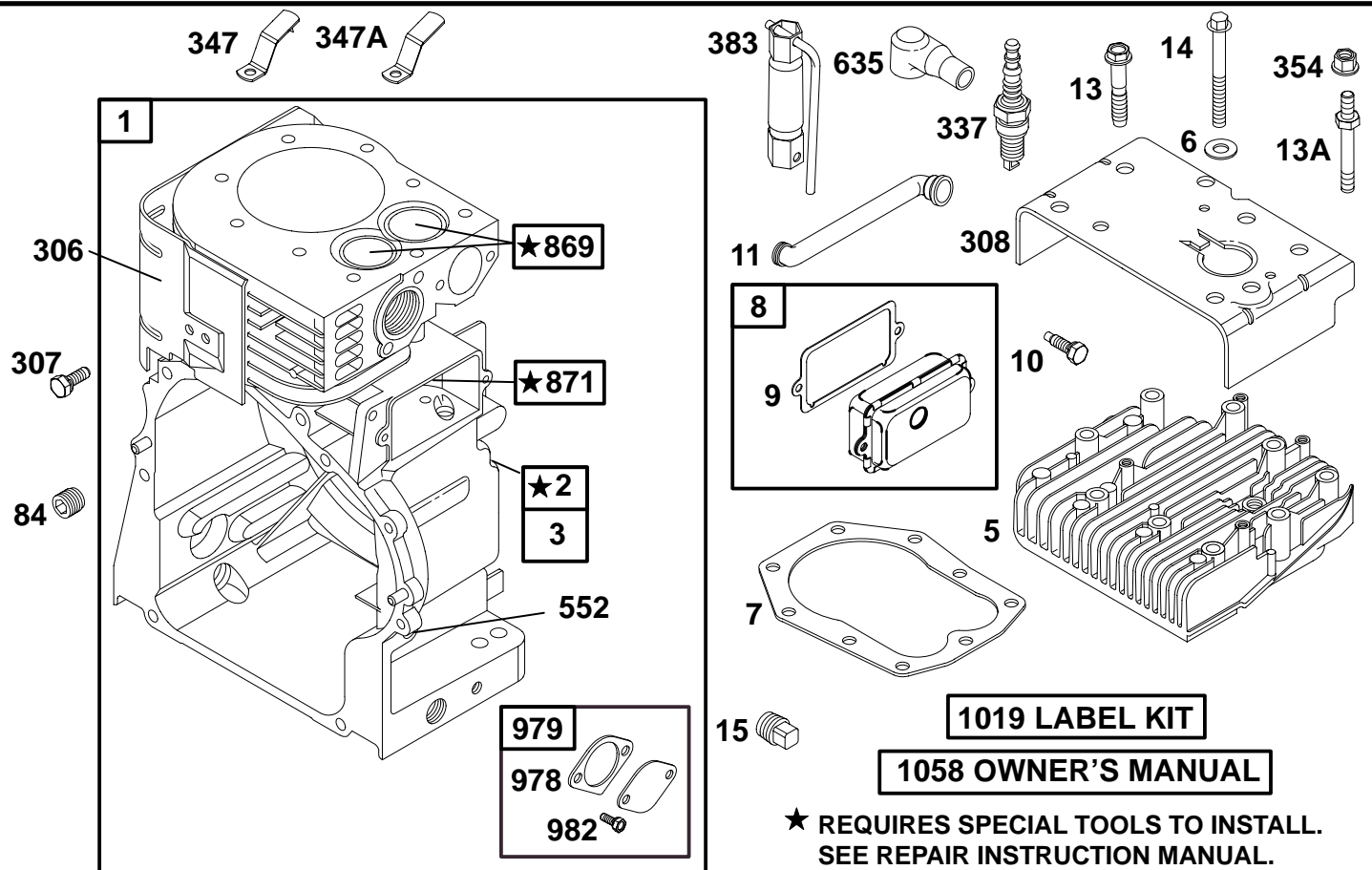
- A. Refer to Engine Model, Type and Code Number that is stamped on the blower housing of engine. Engine type numbers such as 0123 01 are listed only as 0123 in most instances. The two digits (01 or 02, etc.) to the right of the space may be required for more accurate parts identification in some instances. Select the Illustrated Parts List covering the correct Model Series and Type Number.
- B. Refer to the Illustrations and compare the original part with Illustration. The number next to the illustration is the Reference Number. Assemblies include all parts shown in frames. All parts shown in assembly frames having individual reference numbers can be purchased separately.
- C. After the Reference Number has been identified, refer to the Numerical text, where Reference and Primary Part Number are listed. **THE PRIMARY PART IS USED ON ALL TYPE NUMBERS EXCEPT THOSE TYPE NUMBERS UNDER "NOTE."**
- D. If a "Note" appears below the Primary Part Number, it means that this part differs from the Primary Part for certain types. If your Type number is listed under "Note," order the part referred to at the "Note."
- E. If your Engine Type Number does not appear after any part number listed under "Note," use the Primary Part Number.
- F. For Engine Type Numbers not covered by this book, check other Parts Lists having the same engine model or contact your source of supply.

PRINTED IN U.S.A.



COPYRIGHT by BRIGGS & STRATTON CORPORATION  
All rights reserved. No part of this material may be reproduced or transmitted, in any form or by any means, electronic or mechanical, including photocopying, recording or by any information storage and retrieval system, without permission in writing from Briggs & Stratton Corporation.

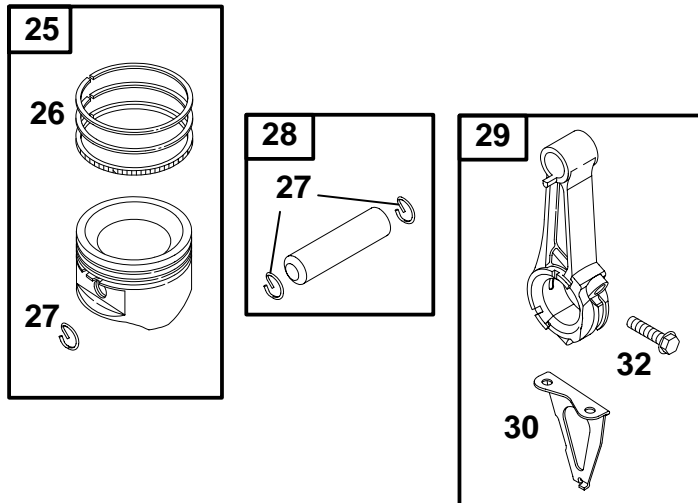
# 170400 to 170499



REF. NO.	PART NO.	DESCRIPTION	REF. NO.	PART NO.	DESCRIPTION	REF. NO.	PART NO.	DESCRIPTION
1	495631	Cylinder Assembly	13A	691690	Stud-Hex. (3 9/16" Long) (# 4 Position)	307	94930	Screw-Hex.
2	495657	Bushing			<b>Note</b>	308	224896	Cover-Cylinder
3	★391086	Seal-Oil			94776 Stud-Hex. Drive (3 15/16" Long) (# 1 Position)	337	492167	Plug-Spark
5	214014	Head-Cylinder			94926 Stud-Hex. Drive (3 5/16" Long) (# 5 & 6 Position) (For Mounting Tank Bracket)			<b>Note</b>
6	225137	Washer	14	94622	Screw-Hex. (3" Long)			802592 Plug-Spark (Resistor Type).
7	∅★272163	Gasket-Cylinder Head	15	94239	Plug-Oil Drain	347	293739	Switch-Stop
8	495724	Breather Assembly	84	94497	Plug	347A	225171	Switch-Stop
9	∅★27803	Gasket-Breather			<b>Note</b>	354	94726	Nut-Hex.
10	94621	Screw-Hex.			94880 Plug-Oil Drain Used on Type No(s). 6015, 6020.	383	89838	Wrench-Spark Plug
11	280267	Tube-Breather	306	496797	Shield-Cylinder	552	491986	Bushing-Governor Crank
13	94565	Screw-Hex.				635	66538	Boot-Spark Plug
						869	211661	Seat-Valve
						871	261961	Bushing-Guide (Exhaust Valve)
								<b>Note</b>
						979	494807	Cover-Oil Gard
						1019	491103	Label Kit
						1058	270367	Owner's Manual

★ Included in Gasket Set-Part No. 299577.  
● Included in Carburetor Kit-Part No. 398235.

∅ Included in Valve Overhaul Gasket Set-Part No. 498533.

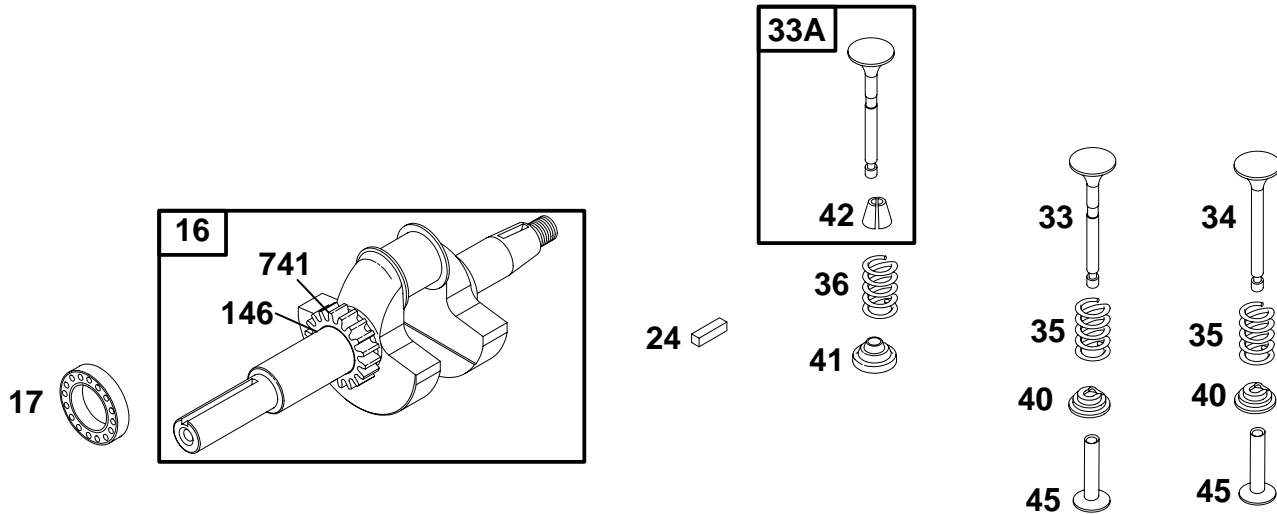


REF. NO.	PART NO.	DESCRIPTION	REF. NO.	PART NO.	DESCRIPTION	REF. NO.	PART NO.	DESCRIPTION
25	499907	Piston Assembly (Standard) <b>Note</b> 499908 Piston Assy. (.010" O.S.) 499909 Piston Assy. (.020" O.S.) 499910 Piston Assy. (.030" O.S.)	27	68546	Lock-Piston Pin	30	223568	Dipper-Connecting Rod
26	499921	Ring Set (Standard) <b>Note</b> 299743 Ring Set (Chrome Standard) 391670 Ring Set (.010" O.S.) 391671 Ring Set (.020" O.S.) 391672 Ring Set (.030" O.S.)	28	295840	Pin-Piston (Standard) <b>Note</b> 295841 Pin-Piston (.005" O.S.)	32	94670	Screw-Connecting Rod
			29	398577	Rod-Connecting (Standard) <b>Note</b> 398578 Rod-Connecting (.020" Undersize)			

★ Included in Gasket Set-Part No. 299577.  
 ● Included in Carburetor Kit-Part No. 398235.

⊘ Included in Valve Overhaul Gasket Set-Part No. 498533.

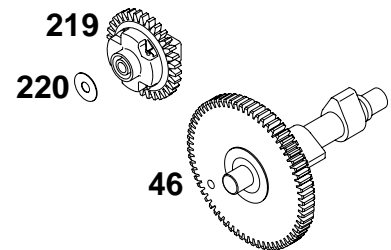
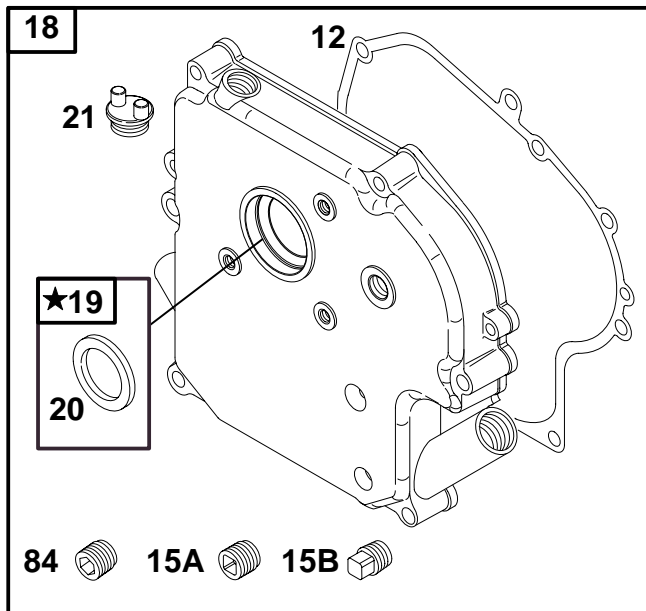
# 170400 to 170499



REF. NO.	PART NO.	DESCRIPTION	REF. NO.	PART NO.	DESCRIPTION	REF. NO.	PART NO.	DESCRIPTION
16	495740	Crankshaft <b>Note</b> <b>495723</b> Crankshaft Used on Type No(s). 6025, 6049, 6105. <b>495733</b> Crankshaft Used on Type No(s). 6035, 6102. <b>495775</b> Crankshaft Used on Type No(s). 6113, 6114. <b>495791</b> Crankshaft Used on Type No(s). 6070, 6112.	33	263017	Valve-Exhaust (Used After Code Date 95041600).	40	221596	Retainer-Valve (Intake) (Used on Exhaust After Code Date 95041600))
17	29530	Bearing-Ball	33A	390419	Valve-Exhaust (Used Before Code Date 95041700).	41	292260	Retainer-Valve (Exhaust) (Used Before Code Date 95041700).
24	222698	Key-Flywheel	34	261055	Valve-Intake	42	494553	Keeper-Valve (Used Before Code Date 95041700).
			35	65906	Spring-Valve (Intake) (Used on Exhaust After Code Date 95041600))	45	260933	Tappet-Valve
			36	26828	Spring-Valve (Exhaust) (Used Before Code Date 95041700).	146	94388	Key-Timing
						741	263025	Gear-Timing

★ Included in Gasket Set-Part No. 299577.  
 ● Included in Carburetor Kit-Part No. 398235.

⊗ Included in Valve Overhaul Gasket Set-Part No. 498533.



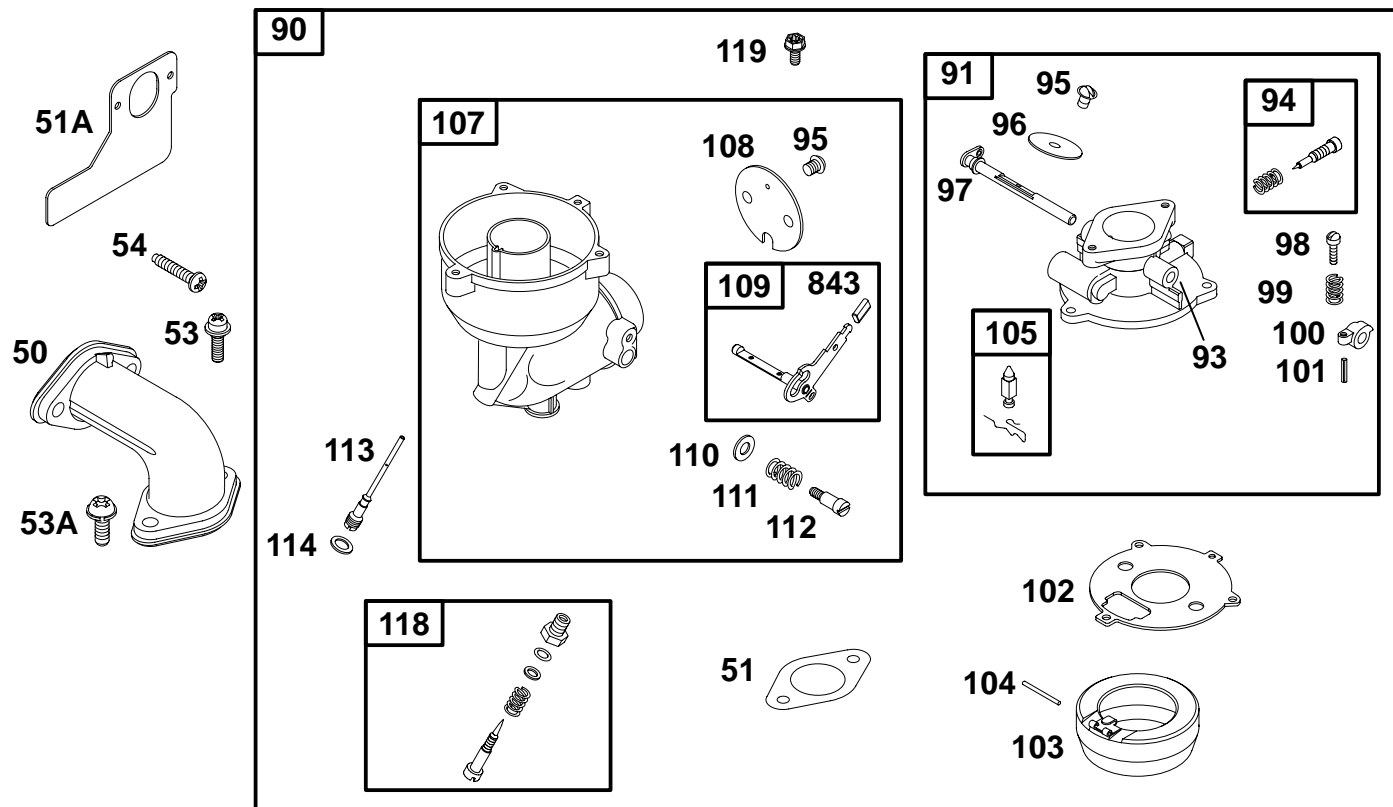
★ **REQUIRES SPECIAL TOOLS TO INSTALL.  
SEE REPAIR INSTRUCTION MANUAL.**

REF. NO.	PART NO.	DESCRIPTION	REF. NO.	PART NO.	DESCRIPTION	REF. NO.	PART NO.	DESCRIPTION
12	★271701	Gasket-Crankcase (.015" Thick, Std.)	18	496982	Cover-Crankcase Used on Model Series 170402.	20	★391086	Seal-Oil
		<b>Note</b>			<b>Note</b>	21	281658	Cap-Oil Fill
		★27876 Gasket-Crankcase (.005" Thick)			496983 Cover-Crankcase Used on Model Series 170412, 170452.	22	93585	Screw-Hex.
		★27877 Gasket-Crankcase (.009" Thick)			496980 Cover-Crankcase Used on Model Series 170432.	46	214786	Gear-Cam
15A	94880	Plug-Oil Drain			496979 Cover-Crankcase Used on Type No(s). 6113, 6114.	84	94497	Plug-Pipe
15B	91488	Plug-Oil Drain	19	295964	Bushing	219	497037	Gear-Governor (Used After Code Date 95123100).
								<b>Note</b>
								494845 Gear-Governor (Used Before Code Date 96010100).
						220	221551	Washer-Thrust

★ Included in Gasket Set-Part No. 299577.  
● Included in Carburetor Kit-Part No. 398235.

∅ Included in Valve Overhaul Gasket Set-Part No. 498533.

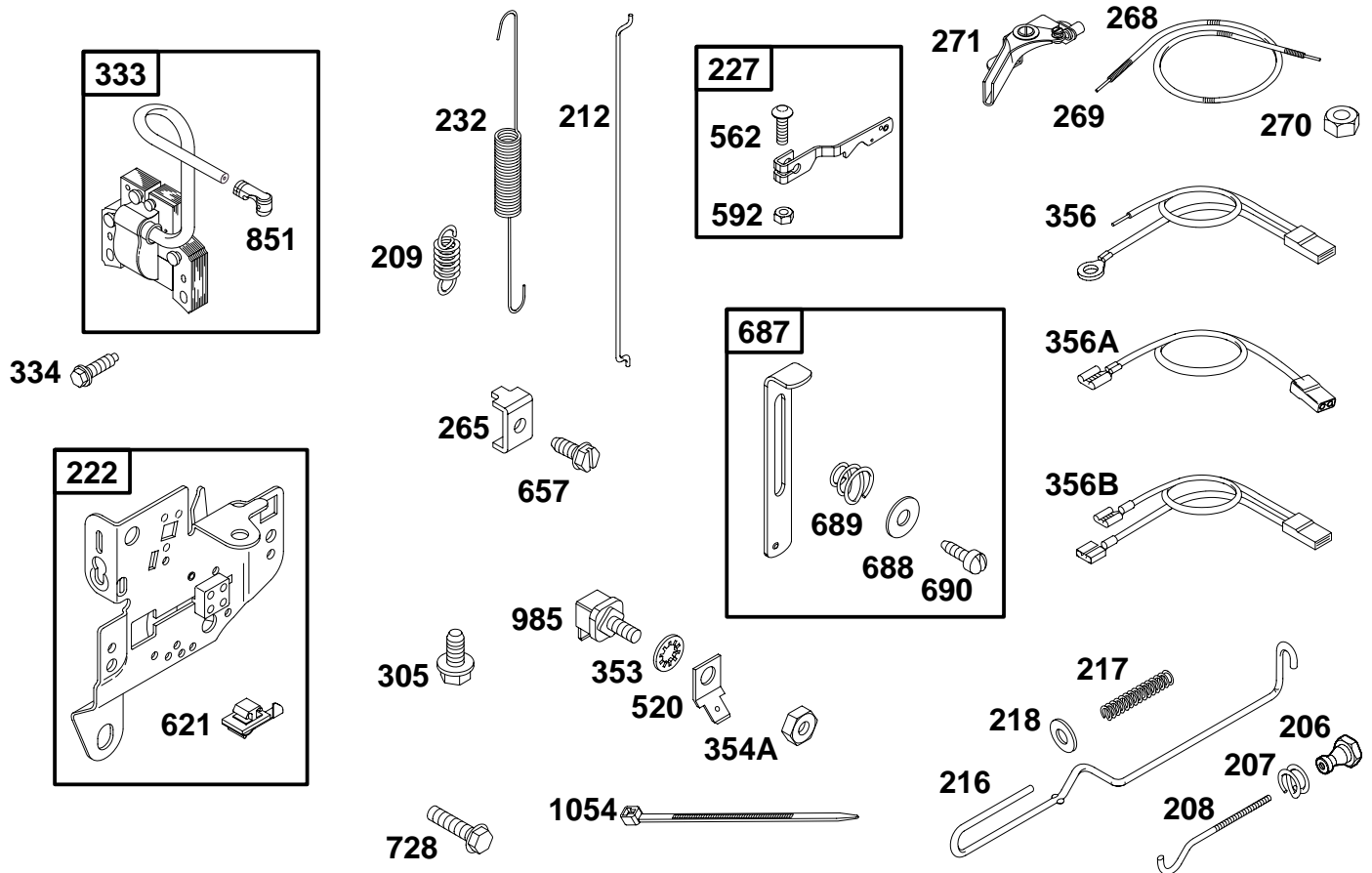
# 170400 to 170499



REF. NO.	PART NO.	DESCRIPTION	REF. NO.	PART NO.	DESCRIPTION	REF. NO.	PART NO.	DESCRIPTION
50	212488	Manifold-Intake	96	223370	Valve-Throttle	108	62872	Valve-Choke
51	★270684	Gasket-Intake	97	298826	Shaft-Throttle	109	391987	Shaft-Choke
51A	∅★27828	Gasket-Intake	98	91920	Screw-Slotted	————— <b>Note</b> —————		
53	94839	Screw-Shoulder	99	26157	Spring-Friction	396700		Shaft-Choke
53A	94616	Screw-Torx® Hex.	100	212904	Stop-Throttle	Used on Type No(s). 6020.		
54	93208	Screw-Phillips	101	93043	Pin-Shaft	110	222712	Washer
90	390323	Carburetor	102	★27918	Gasket-Carburetor Body	111	26155	Spring-Friction
————— <b>Note</b> —————			103	99333	Float-Carburetor	112	23123	Screw-Shoulder
	397482	Carburetor	104	★231435	Pin-Float Hinge	113	★398202	Nozzle-Carburetor
		Used on Type No(s). 6020.	105	★394681	Kit-Needle Seat	114	★68667	Gasket-Nozzle
91	399443	Body Assembly-Upper	107	399442	Body Assembly-Lower	118	★99525	Kit-Idle Mixture
93	23108	Bushing-Throttle Shaft	————— <b>Note</b> —————			119	94152	Screw-Torx® Hex.
94	★292681	Kit-Idle Mixture	399444		Body Assembly- Lower	843	280149	Sleeve-Lever
95	93499	Screw-Choke Throttle			Used on Type No(s). 6020.			

★ Included in Gasket Set-Part No. 299577.  
 ● Included in Carburetor Kit-Part No. 398235.

∅ Included in Valve Overhaul Gasket Set-Part No. 498533.

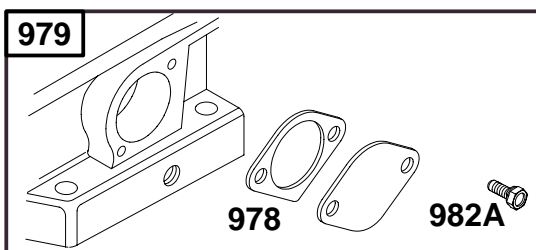
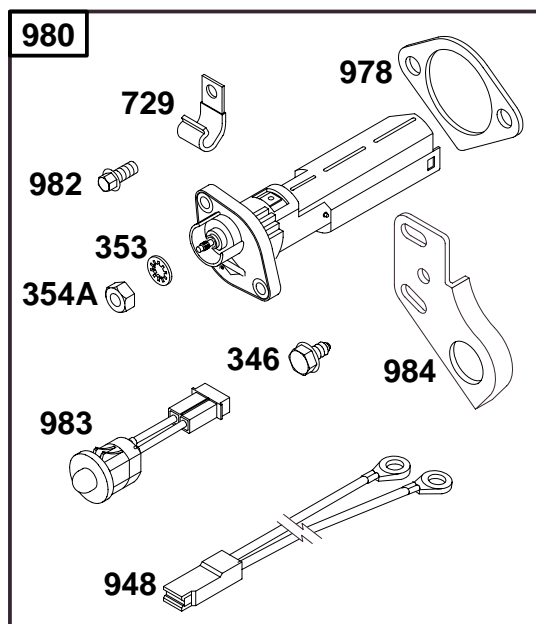
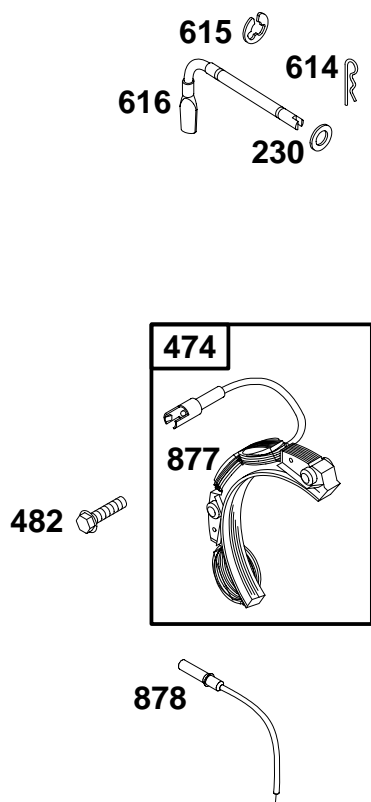


REF. NO.	PART NO.	DESCRIPTION	REF. NO.	PART NO.	DESCRIPTION	REF. NO.	PART NO.	DESCRIPTION
206	231266	Nut-Governor Adjusting	227	391965	Lever-Governor	356A	491927	Wire-Stop
207	26855	Spring-Control Rod	232	260478	Spring-Link	356B	491391	Wire-Stop (Use With Switch-Rotary Ref. 575)
208	261959	Rod-Governor Control	265	221535	Clamp-Casing	520	93722	Terminal
209	260695	Spring-Governor	268	65616	Casing-Wire (Cut to Required Length)	562	94907	Bolt-Governor Lever
	<b>Note</b>		269	26633	Wire-Control (Cut to Required Length)	592	231082	Nut-Hex.
	261126	Spring-Governor	270	63426	Locknut-Casing	621	396847	Switch-Stop
		Used on Type No(s). 6015, 6020, 6025, 6035, 6049, 6113, 6114.	271	290568	Lever-Control	657	94906	Screw-Slotted Hex.
212	260872	Link-Throttle	305	94786	Screw-Hex.	687	390701	Slide-Control
216	262026	Link-Choke	333	398811	Armature-Magneto	688	221766	Cap-Spring
217	261119	Spring-Friction	334	94731	Screw-Hex.	689	260847	Spring-Friction
218	222352	Washer	353	92791	Washer-Lock	690	90746	Screw-Slotted
222	399151	Bracket-Control	354A	90576	Nut-Hex.	728	94627	Screw-Hex.
	<b>Note</b>		356	398808	Wire-Stop	851	493880	Terminal-Cable
	399150	Bracket-Control				985	398525	Insulator
		Used on Type No(s). 6020.				1054	280275	Tie-Cable

★ Included in Gasket Set-Part No. 299577.  
 ● Included in Carburetor Kit-Part No. 398235.

⊘ Included in Valve Overhaul Gasket Set-Part No. 498533.

# 170400 to 170499

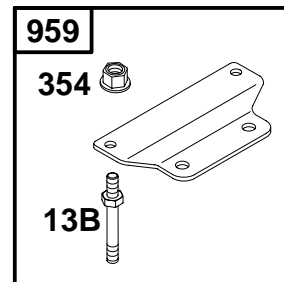
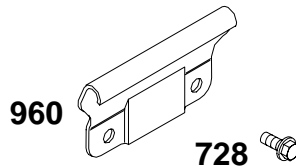
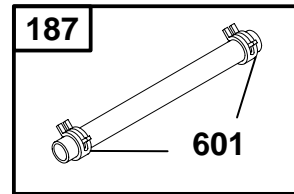
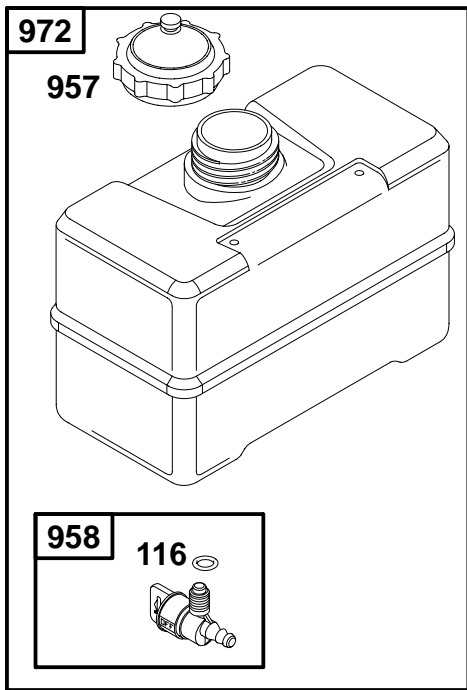
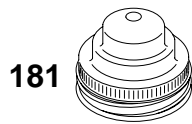


REF. NO.	PART NO.	DESCRIPTION	REF. NO.	PART NO.	DESCRIPTION	REF. NO.	PART NO.	DESCRIPTION
230	94927	Washer-Flat	616	495241	Crank-Governor	980	398182	Oil Gard® Kit
346	94896	Screw-Hex.	729	223528	Clip-Wire	982	94657	Screw-Hex.
353	92791	Washer-Lock	877	393814	Wire-Alternator	982A	94139	Screw-Hex.
354A	90576	Nut-Hex.	878	393422	Harness-Alternator	983	398660	Light-Indicator
474	391529	Alternator	948	398661	Harness-Wiring	984	223773	Bracket-Stop Switch
482	93621	Screw-Hex.	978	★271736	Gasket			
614	93306	Pin-Cotter	979	494807	Cover-Oil Gard®			
615	93307	Retainer-E Ring						

★ Included in Gasket Set-Part No. 299577.  
 ● Included in Carburetor Kit-Part No. 398235.

⊘ Included in Valve Overhaul Gasket Set-Part No. 498533.



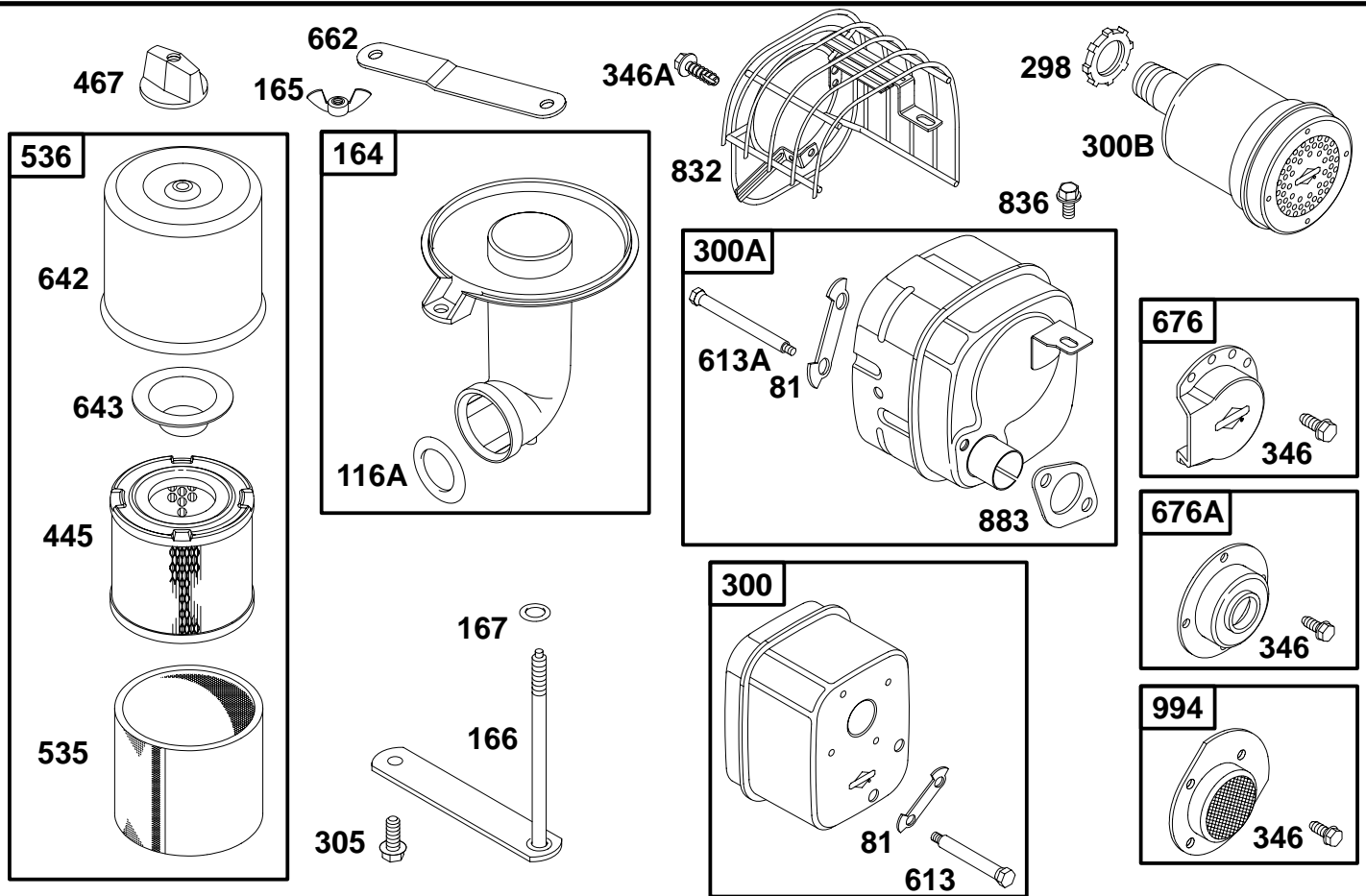


REF. NO.	PART NO.	DESCRIPTION	REF. NO.	PART NO.	DESCRIPTION	REF. NO.	PART NO.	DESCRIPTION
13B	94926	Stud-Hex. Drive	187	298049	Line-Fuel (Cut to Required Length)	958	399517	Valve-Shut-Off
116	280203	Seal-O-Ring	240	298090	Filter-Fuel	959	495664	Bracket-Fuel Tank
181	392305	Cap-Fuel Tank (Metal)	354	94726	Nut-Hex.	960	492990	Bracket-Fuel Tank
186	67218	Connector-Hose	601	95162	Clamp-Hose	961	94095	Screw-Hex.
			728	94627	Screw-Hex.	972	493337	Tank-Fuel (Plastic)
			957	493988	Cap-Fuel Tank (Plastic)			

★ Included in Gasket Set-Part No. 299577.  
● Included in Carburetor Kit-Part No. 398235.

∅ Included in Valve Overhaul Gasket Set-Part No. 498533.

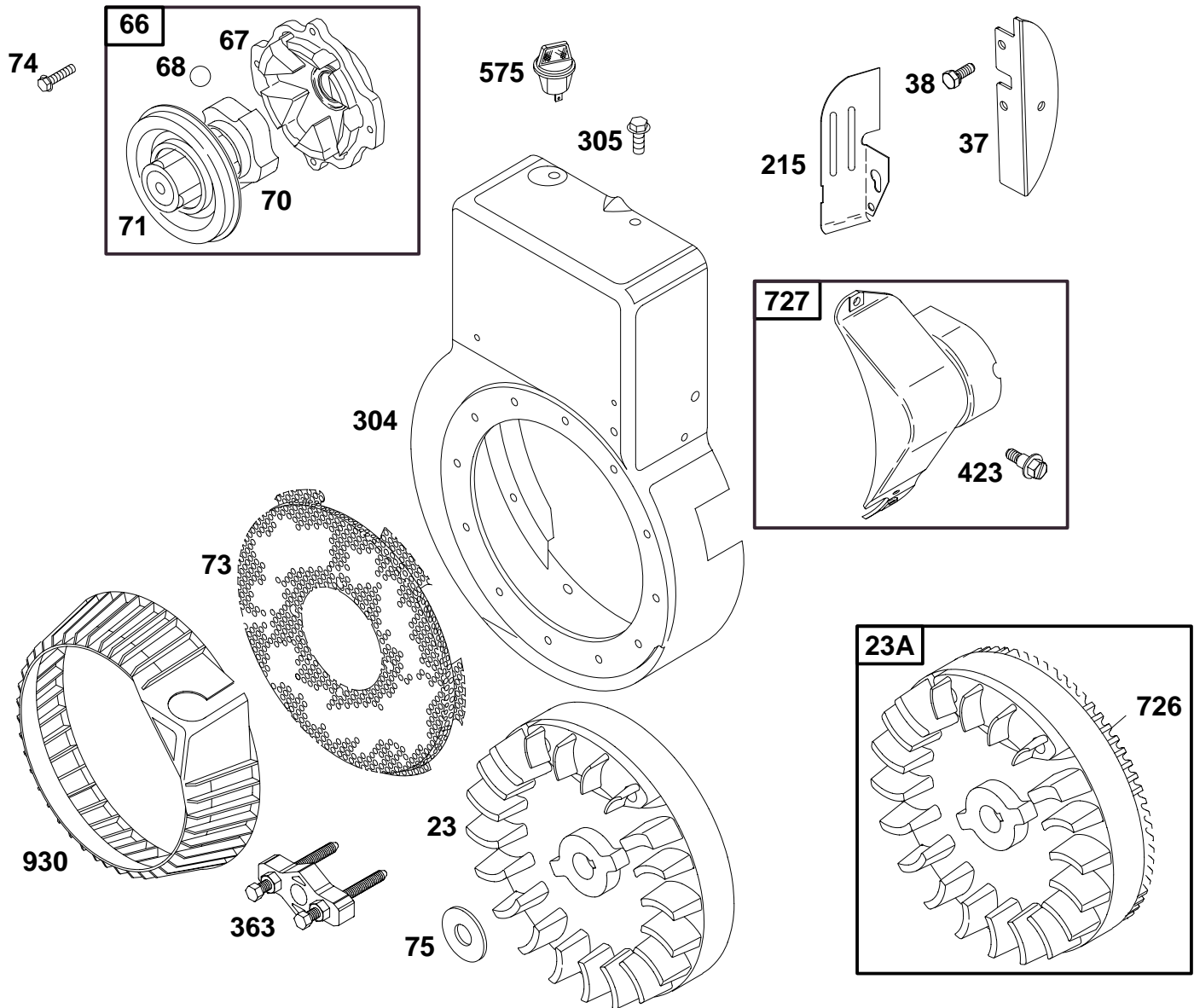
# 170400 to 170499



REF. NO.	PART NO.	DESCRIPTION	REF. NO.	PART NO.	DESCRIPTION	REF. NO.	PART NO.	DESCRIPTION
81	222263	Lock-Muffler Screw	300B	393010	Muffler-Exhaust	642	224885	Cover-Air Cleaner
116A	271265	Seal-O-Ring	305	94786	Screw-Hex.	643	222272	Retainer-Air Filter
164	398592	Pipe-Air Cleaner	346	94786	Screw-Hex.	662	224484	Bracket-Support
165	94289	Nut-Wing	346A	93606	Screw-Hex.	676	393757	Deflector-Muffler
166	392105	Strap-Cleaner Mounting	445	393957	Filter-Air	676A	395700	Deflector-Muffler
167	65978	Seal-O-Ring	467	493903	Knob-Air Cleaner	832	492337	Guard-Muffler
298	261409	Locknut-Muffler	535	271794	Filter-Air	836	94786	Screw-Hex.
300	494221	Muffler-Exhaust	536	391063	Cleaner-Air	883	Ø*272309	Gasket-Exhaust
300A	391313	Muffler-Exhaust	613	94054	Screw-Shoulder	994	399541	Arrestor-Spark
			613A	94042	Screw-Shoulder			

★ Included in Gasket Set-Part No. 299577.  
 ● Included in Carburetor Kit-Part No. 398235.

Ø Included in Valve Overhaul Gasket Set-Part No. 498533.

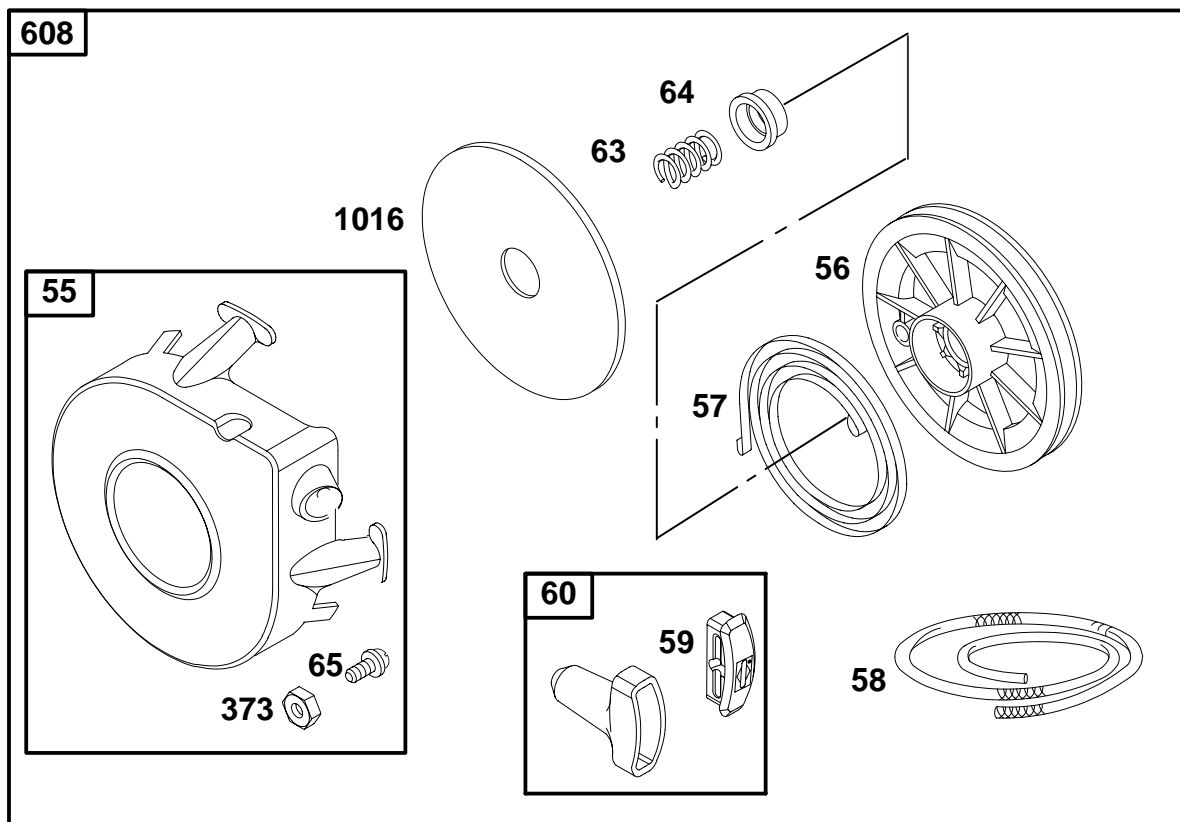


REF. NO.	PART NO.	DESCRIPTION	REF. NO.	PART NO.	DESCRIPTION	REF. NO.	PART NO.	DESCRIPTION
23	298260	Flywheel	74	93758	Screw-Hex.	305	94786	Screw-Hex.
23A	391983	Flywheel	75	225136	Washer-Flywheel	363	19203	Flywheel Puller
37	222475	Guard-Flywheel	215	221760	Guide-Air	423	94625	Screw-Shoulder
38	94811	Screw-Hex.	304	491596	Housing-Blower	575	396691	Switch-Rotary
66	399671	Clutch-Starter	<b>Note</b>			726	399676	Gear-Ring (Aluminum) (Includes Mtg. Parts)
67	394897	Housing-Clutch	Used on Type No(s). 6114.			727	395405	Cover-Starter Drive
68	63770	Ball-Clutch				930	280685	Guard-Rewind
70	298799	Ratchet-Clutch						
71	394506	Cover-Ratchet						
73	224874	Screen-Rotating						

★ Included in Gasket Set-Part No. 299577.  
● Included in Carburetor Kit-Part No. 398235.

⊘ Included in Valve Overhaul Gasket Set-Part No. 498533.

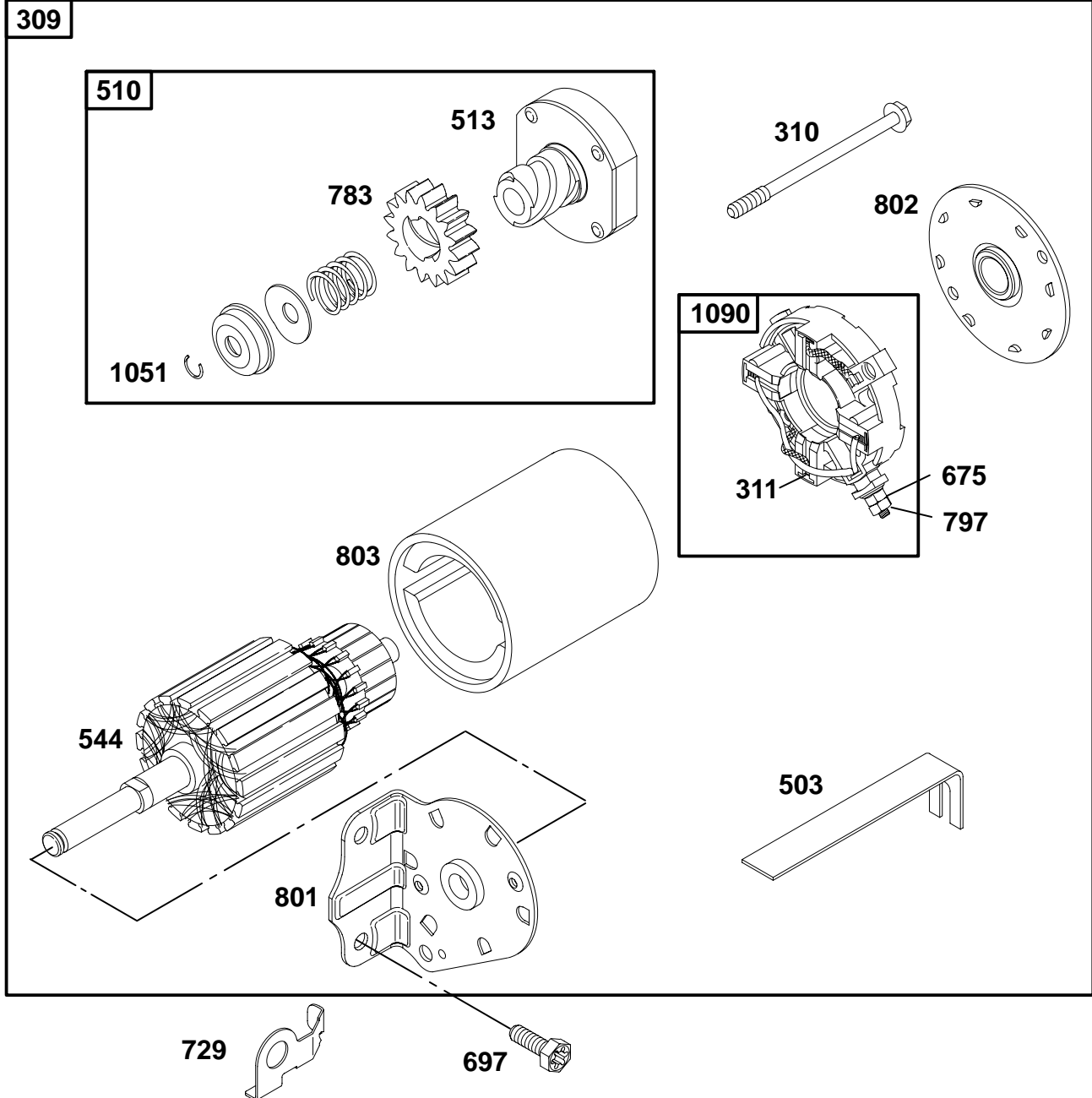
# 170400 to 170499



REF. NO.	PART NO.	DESCRIPTION	REF. NO.	PART NO.	DESCRIPTION	REF. NO.	PART NO.	DESCRIPTION
55	393576	Housing—Rewind Starter	59	490653	Insert—Grip	373	94908	Nut—Hex.
56	295871	Pulley—Starter	60	490652	Grip—Starter Rope	608	390391	Starter—Rewind
57	490179	Spring—Rewind Starter	63	260414	Spring—Ratchet	655	222598	Anchor—Rewind Spring
58	66884	Rope—Starter (63" Long)	64	281204	Adapter—Spring	1016	490817	Spacer—Rewind
		<b>Note</b> —	65	94928	Screw—Shoulder			
		66894 Rope—Starter (96" Long)						

★ Included in Gasket Set—Part No. 299577.  
 ● Included in Carburetor Kit—Part No. 398235.

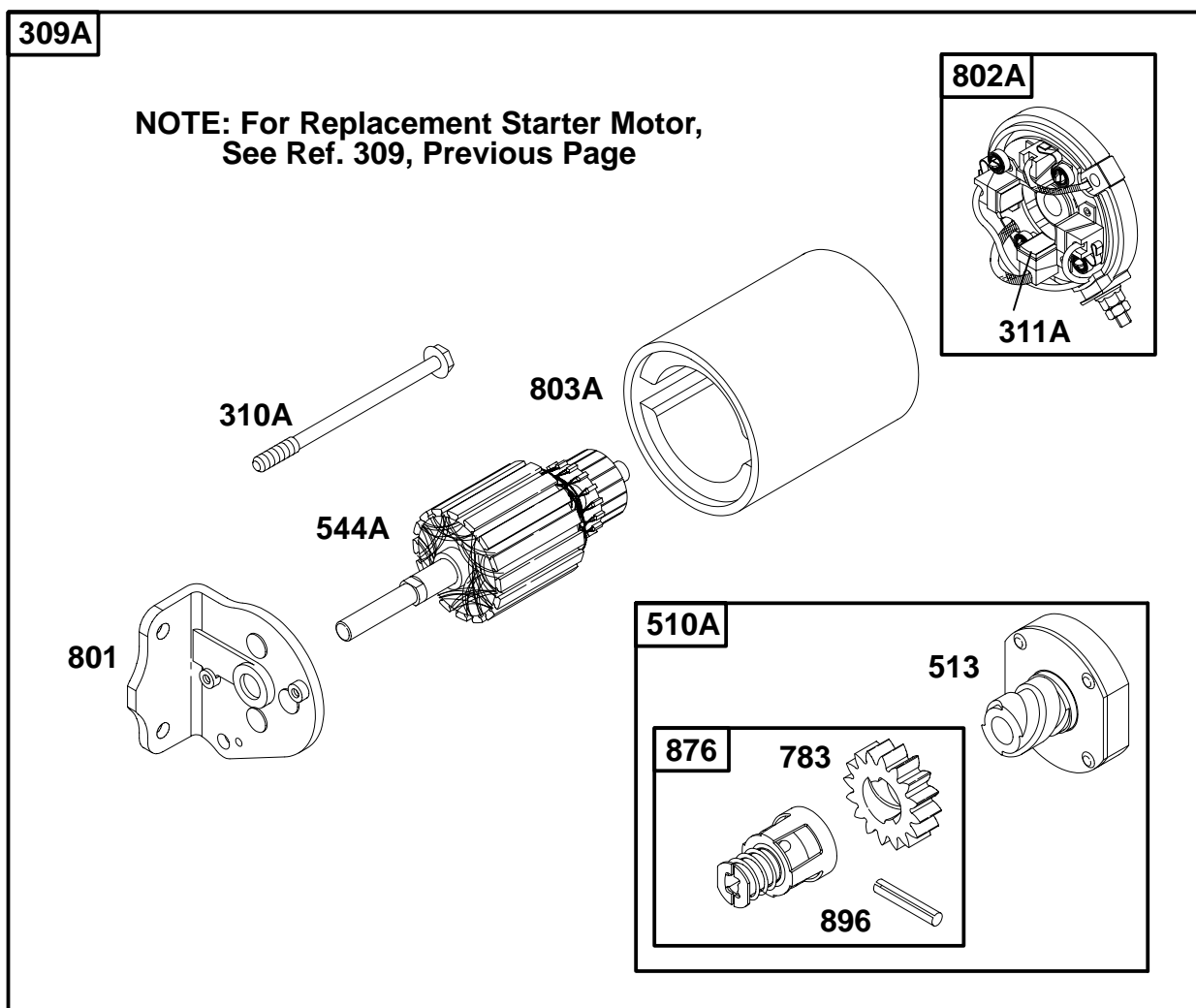
∅ Included in Valve Overhaul Gasket Set—Part No. 498533.



REF. NO.	PART NO.	DESCRIPTION	REF. NO.	PART NO.	DESCRIPTION	REF. NO.	PART NO.	DESCRIPTION
309	693054	Motor-Starter (3 5/8" Housing Lgth.)	544	497603	Armature-Starter (3 5/8" Housing Length)	797	92278	Nut (Starter Terminal)
310	94003	Bolt (Starter Motor) (3 5/8" Housing Length)	675	225137	Washer (Starter Motor)	801	394856	Cap-Drive
311	497608	Brush Set	697	94773	Screw (Starter Motor Mounting)	802	497607	Cap-End
503	806000	Strap-Starter	729	225170	Clip-Wire	803	497604	Housing-Starter (3 5/8" Housing Length)
510	497606	Drive-Starter	783	693059	Gear-Starter	1051	263080	Ring-Retainer
513	398003	Clutch-Drive				1090	497605	Retainer-Brush

★ Included in Gasket Set-Part No. 299577.  
 ● Included in Carburetor Kit-Part No. 398235.

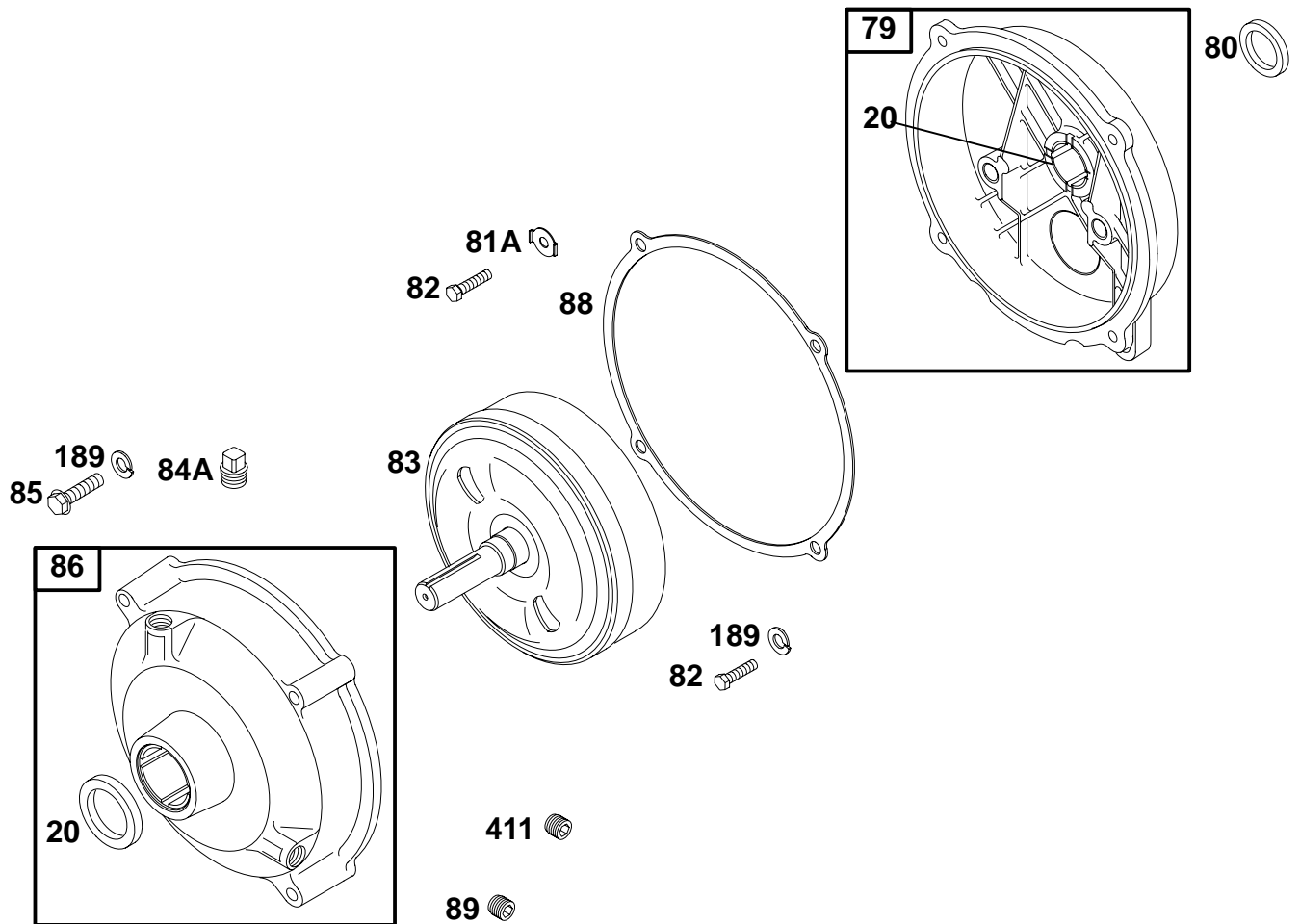
∅ Included in Valve Overhaul Gasket Set-Part No. 498533.



REF. NO.	PART NO.	DESCRIPTION	REF. NO.	PART NO.	DESCRIPTION	REF. NO.	PART NO.	DESCRIPTION
<b>309A</b>		<b>For Replacement Starter Motor, See Ref 309, Previous Page.</b>	<b>510A</b>	<b>495878</b>	Drive–Starter	<b>802A</b>	<b>395537</b>	Cap–End (For 3 5/8" Housing Length)
<b>310A</b>	<b>94003</b>	Bolt. (Starter Motor) (3 5/8" Housing Length)	<b>513</b>	<b>398003</b>	Clutch–Drive	<b>803A</b>	<b>398159</b>	Housing–Starter (For 3 5/8" Housing Length)
<b>311A</b>	<b>395538</b>	Brush Set (3 5/8" Housing Length)	<b>544A</b>	<b>390837</b>	Armature–Starter (3 5/8" Housing Length)	<b>876</b>	<b>495877</b>	Kit–Gear
			<b>697</b>	<b>94773</b>	Screw (Starter Motor Mounting)	<b>896</b>	<b>94288</b>	Pin–Roll
			<b>783</b>	<b>693059</b>	Gear–Starter			
			<b>801</b>	<b>394856</b>	Cap–Drive			

- ★ Included in Gasket Set–Part No. 299577.
- Included in Carburetor Kit–Part No. 398235.

∅ Included in Valve Overhaul Gasket Set–Part No. 498533.

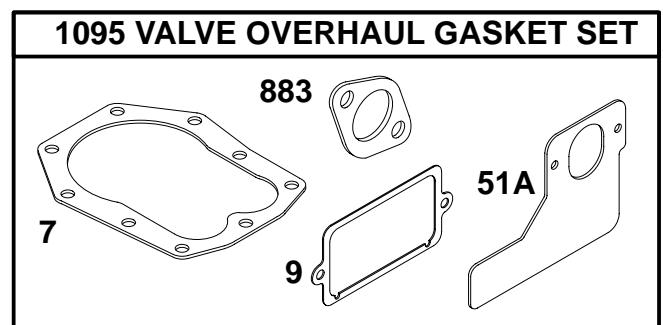
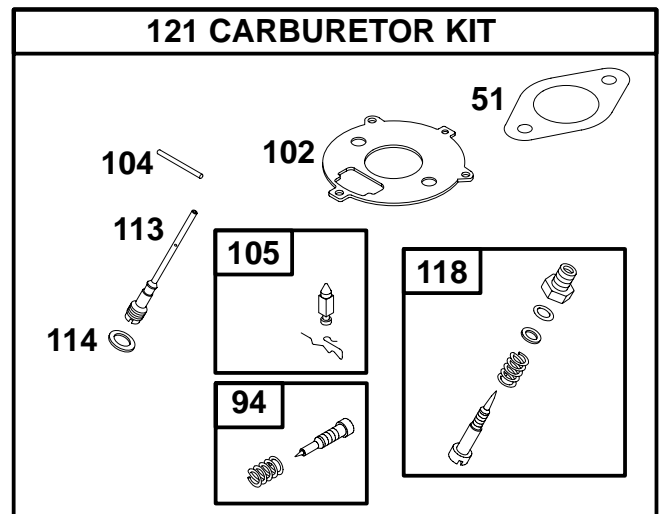
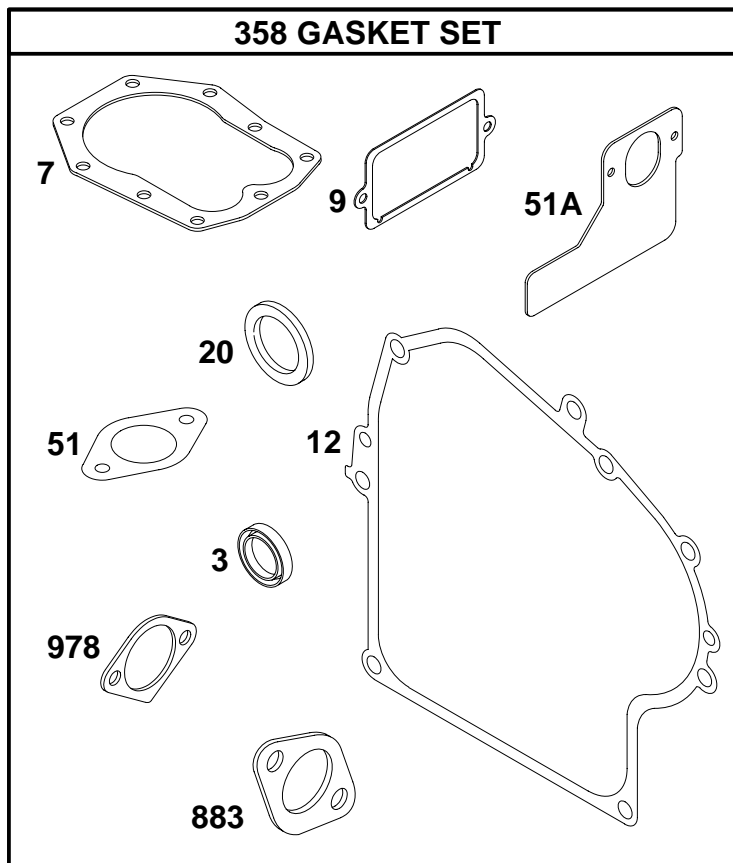


REF. NO.	PART NO.	DESCRIPTION	REF. NO.	PART NO.	DESCRIPTION	REF. NO.	PART NO.	DESCRIPTION
20	★391086	Seal-Oil	83	495985	Shaft Auxilliary-Drive	88	27328	Gasket-Cover
79	296179	Case-Reduction Gear	84A	94918	Plug-Breather	89	91488	Plug-Oil
80	27884	Gasket-Gear Case	85	91386	Screw-Hex.	189	90366	Washer-Lock
81A	220234	Lock-Screw Head	86	296053	Cover Assembly-Gear	411	94886	Plug-Oil Drain
82	92502	Screw-Hex.						

★ Included in Gasket Set-Part No. 299577.  
 ● Included in Carburetor Kit-Part No. 398235.

Ø Included in Valve Overhaul Gasket Set-Part No. 498533.

# 170400 to 170499



REF. NO.	PART NO.	DESCRIPTION	REF. NO.	PART NO.	DESCRIPTION	REF. NO.	PART NO.	DESCRIPTION
	<b>3</b>	★ <b>391086</b> Seal—Oil		<b>20</b>	★ <b>391086</b> Seal—Oil		<b>358</b>	<b>299577</b> Gasket Set
	<b>7</b>	∅★ <b>272163</b> Gasket—Cylinder Head		<b>51</b>	●★ <b>270684</b> Gasket—Intake		<b>883</b>	∅★ <b>272309</b> Gasket—Exhaust
	<b>9</b>	∅★ <b>27803</b> Gasket—Breather		<b>51A</b>	∅★ <b>27828</b> Gasket—Intake		<b>978</b>	★ <b>271736</b> Gasket
	<b>12</b>	★ <b>271701</b> Gasket—Crankcase (.015" Thick, Std.)		<b>94</b>	● <b>292681</b> Valve—Idle Adjustment		<b>1095</b>	<b>498533</b> Gasket Set—Valve Overhaul
		<b>Note</b>		<b>102</b>	● <b>27918</b> Gasket—Carburetor Body			
		★ <b>27876</b> Gasket—Crankcase (.005" Thick)		<b>104</b>	● <b>231435</b> Pin—Float Hinge			
		★ <b>27877</b> Gasket—Crankcase (.009" Thick)		<b>105</b>	● <b>394681</b> Valve—Needle			
				<b>113</b>	● <b>398202</b> Nozzle—Carburetor			
				<b>114</b>	● <b>68667</b> Gasket—Nozzle			
				<b>118</b>	● <b>99525</b> Valve—High Speed			
				<b>121</b>	<b>398235</b> Carburetor Kit			

★ Included in Gasket Set—Part No. 299577.  
● Included in Carburetor Kit—Part No. 398235.

∅ Included in Valve Overhaul Gasket Set—Part No. 498533.