

1 of 3.

Illustrated Parts List

Model Series 170400 to 170466

TYPE NUMBERS
0010 through 0075
0110 through 0271

TO FIND

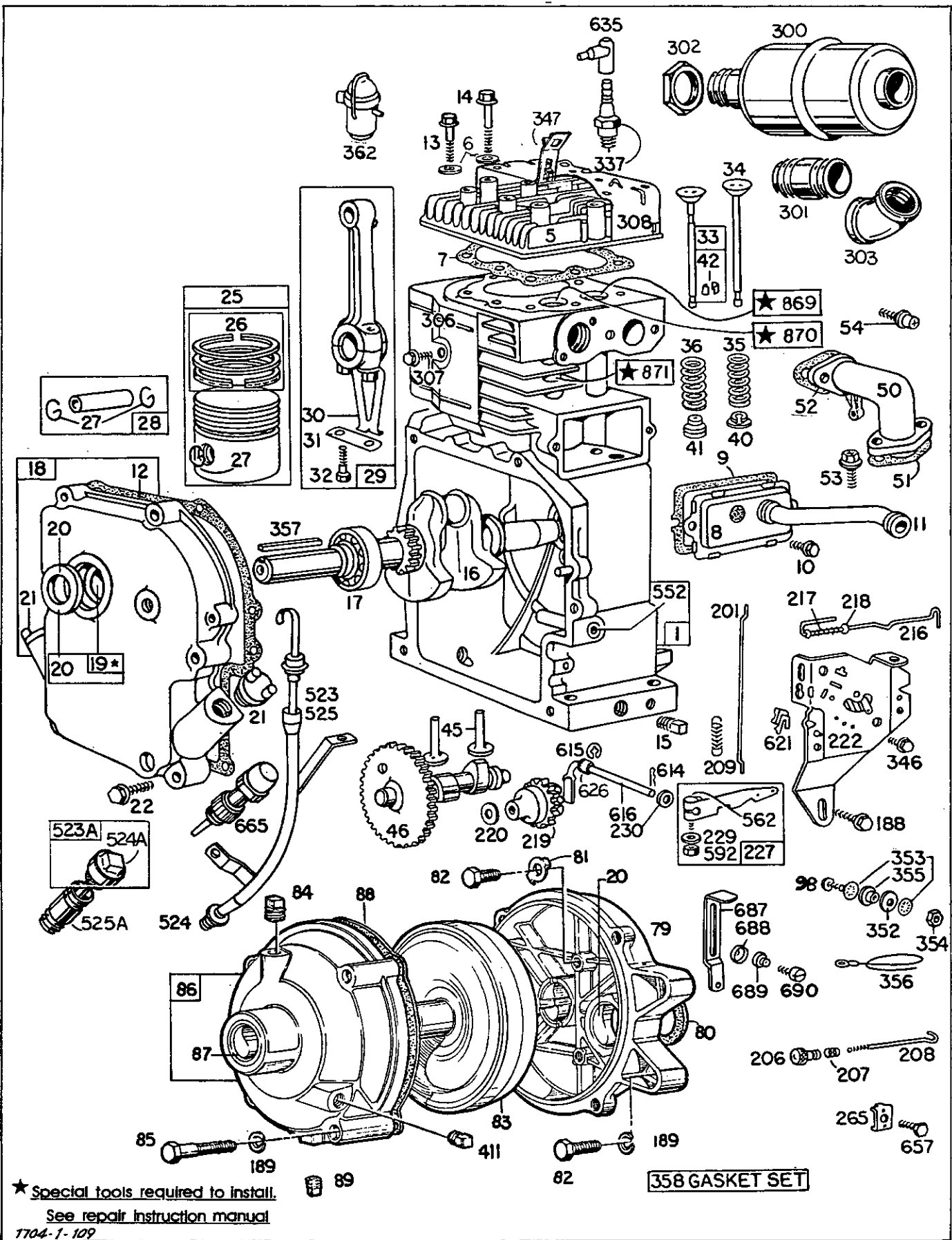
THE CORRECT NUMBER OF THE PART YOU NEED:

FOLLOW THE INSTRUCTIONS BELOW

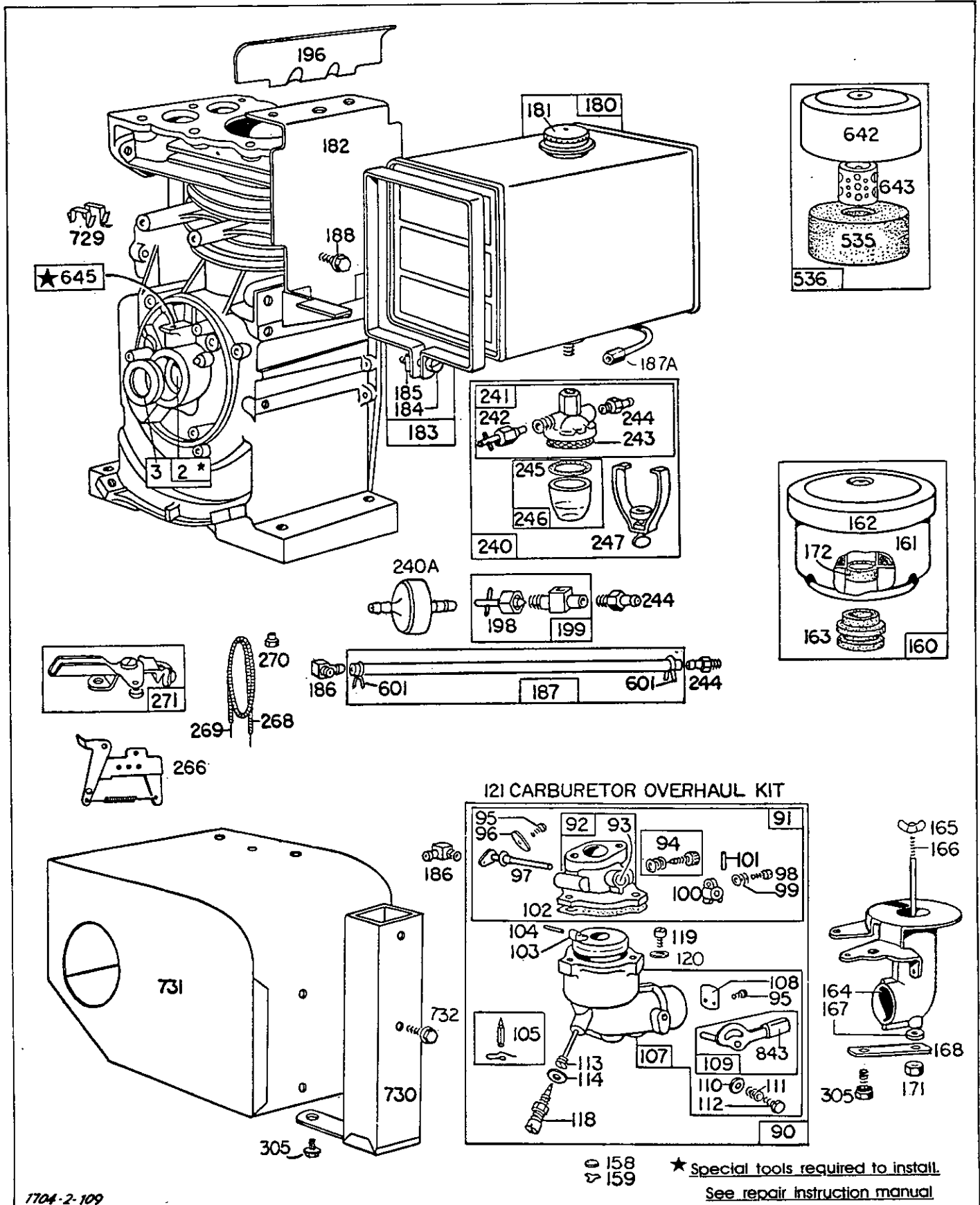
- A. Refer to Engine Model, Type and Code Number that is stamped on the blower housing of engine. Engine type numbers such as 0123 01 are listed herein only as 0123. The two digits (01 or 02, etc.) to the right of the space are not needed for parts identification. Then use the Illustrated Parts List covering these Model Series.
- B. Refer to Illustrated Parts section and compare the old part with illustration. The number on the illustration is the Reference Number. Assemblies include all parts shown in frames. All parts shown in assembly frames on which individual reference numbers are given can be purchased separately.
- C. After the Reference Number has been identified, refer to the Numerical Parts List, where Reference and Master Part Numbers are listed. **THE MASTER PART IS USED ON ALL TYPE NUMBERS EXCEPT THOSE TYPE NUMBERS UNDER "NOTE"**.
- D. If a "Note" appears below the Master Part Number, this means that this part differs from the Master Part for certain types. If the Type Number is listed under "Note", order the part referred to.
- E. If the Engine Type Number does not appear after any part number listed under "Note", use the Master Part Number.
- F. For Type Numbers higher than those covered by this book, please refer to the factory if you are unable to identify the part by comparison.



170400 to 170466



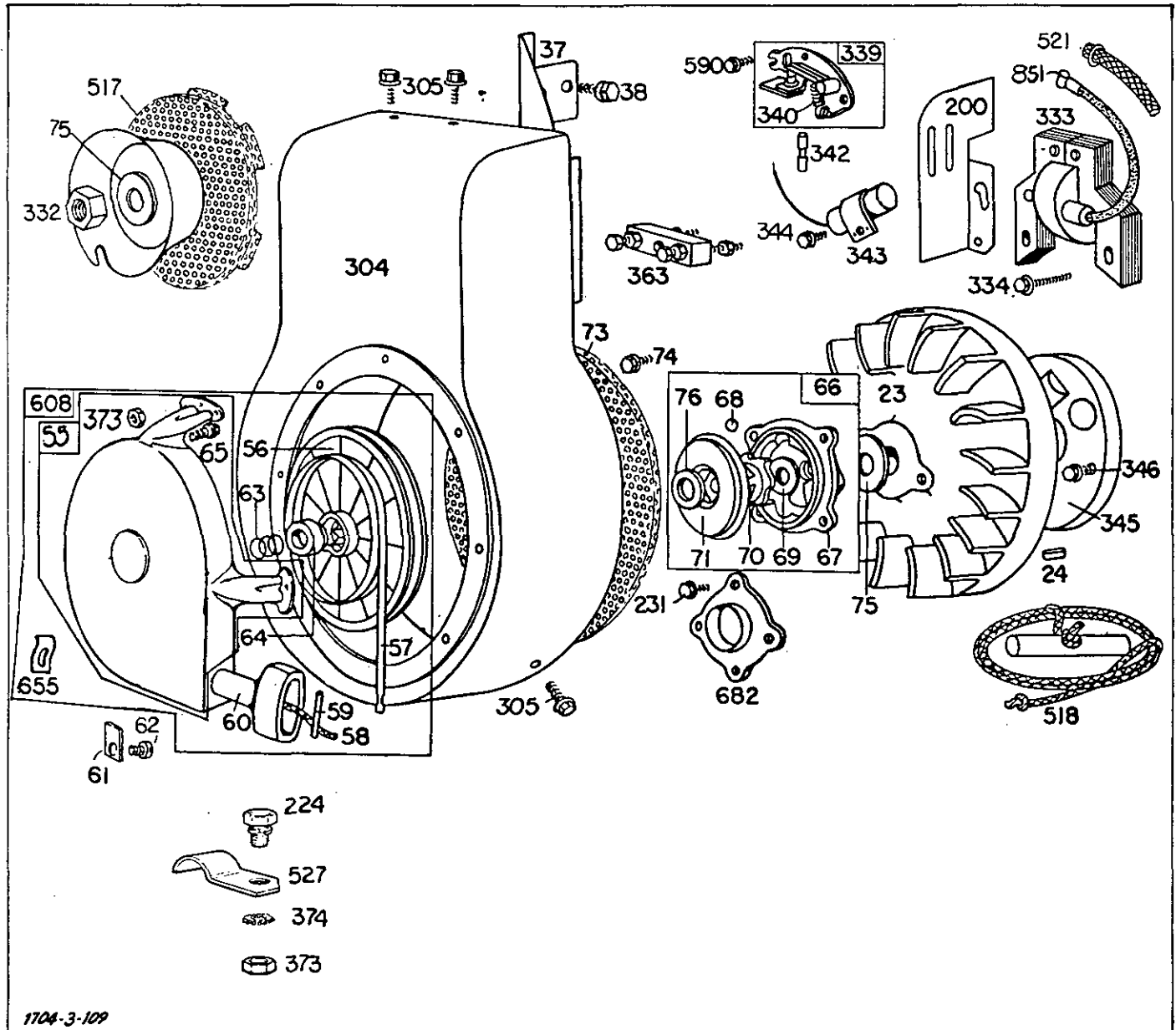
Assemblies include all parts shown in frames.



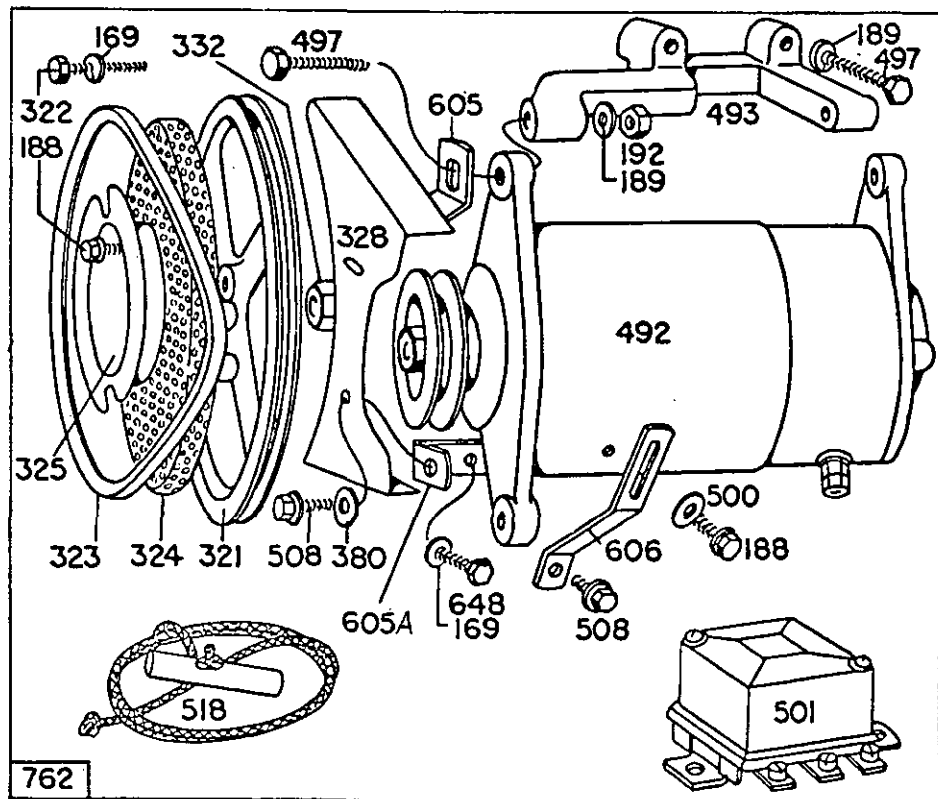
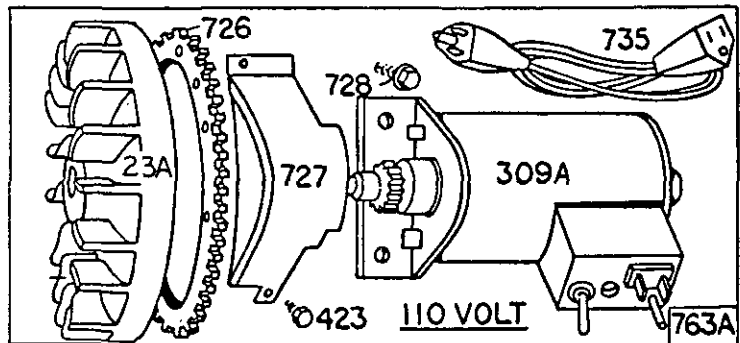
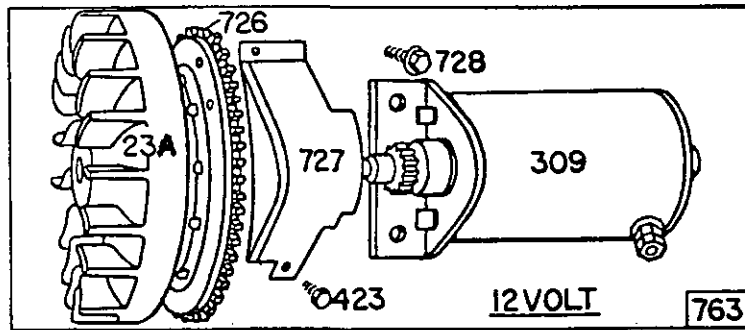
1704-2-109

Assemblies include all parts shown in frames.

170400 to 170466



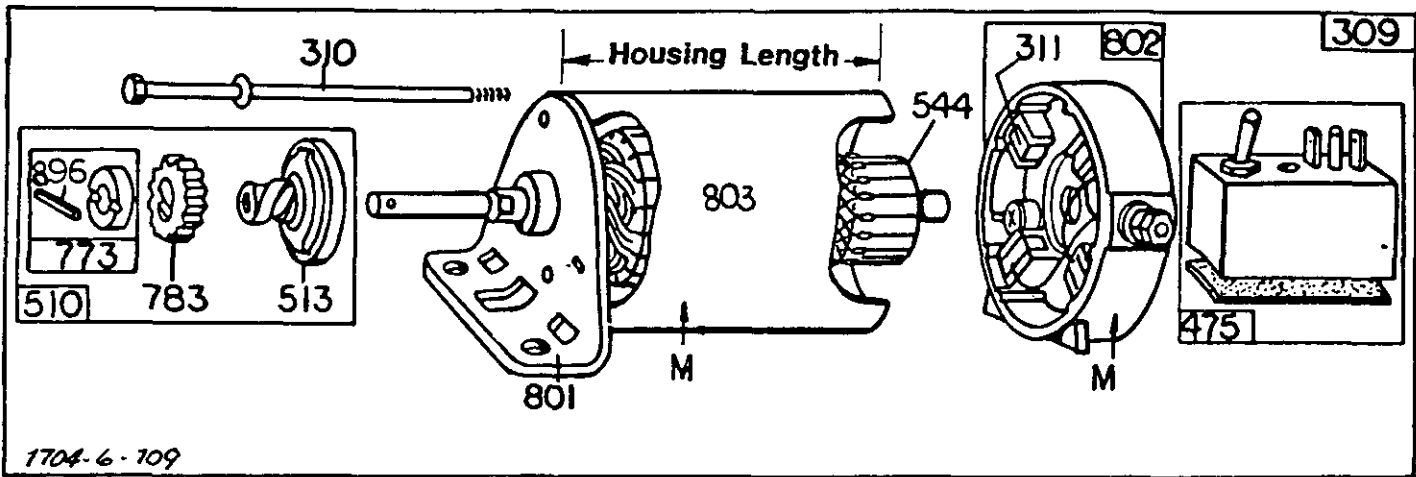
Assemblies include all parts shown in frames.



1704-4-109

Assemblies include all parts shown in frames.

170400 to 170466



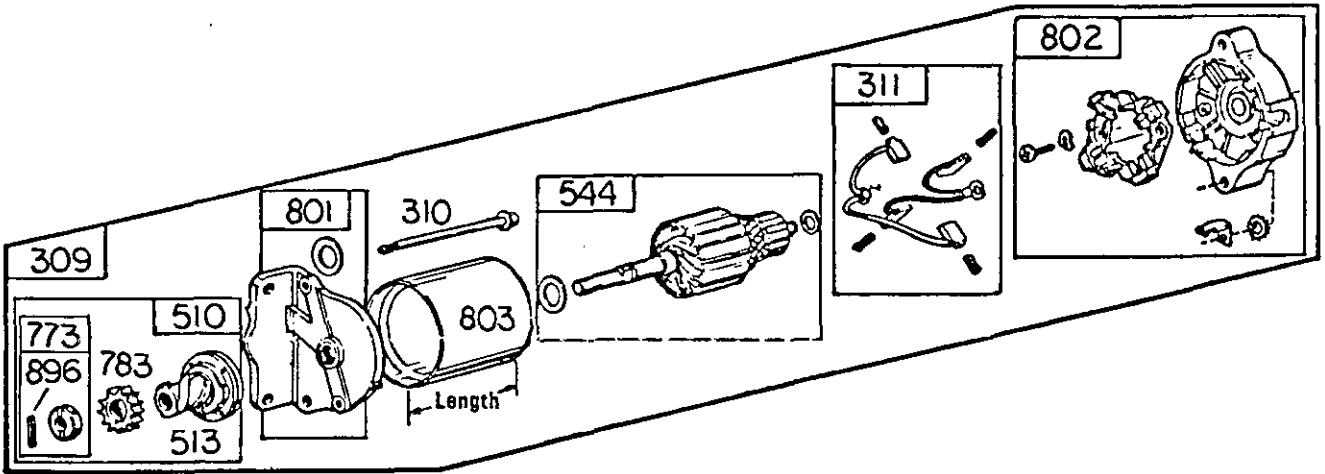
Subject		Ref. No. 309	Ref. No. 510	Ref. No. 801	Ref. No. 544	Ref. No. 803	Ref. No. 802	Ref. No. 311	Ref. No. 310	Ref. No. 475
Starter Motor Mfr. and Motor Model Number		Motor and Drive Assy.	Drive Assembly	End Cap Assy. Drive	Armature Assembly	Housing Assembly	End Cap Assy. Commutator*	Brush Assembly	Thru Bolt Assembly	Rectifier Assembly
American Bosch										
12V	SMH 12-A11	390307	390443	390444	390446	390447	390448	390449	390450	
12V	SME 12-A8	299330	390094	390092	390086	390097	390089		390080	
12V	01965-23-MO-30-SM	390838	391461**	390444	391607	390447	390448	390449	390450	
110V	SME 110-C3	299329†	390094	390091	390088	390096	390098	390081	390080	390099
110V	SME 110-C6	299556	390094	390092	390088	390095	390098	390081	390080	390084
110V	SME 110-C8	299764	390094	390093	390088	390096	390098	390081	390080	390099
Mitsubishi										
12V	MMO-5ML	390307	299963	390454	390456	390452	390455	390990	299962	
12V	MMO-4FL	299330	299963	390454	390457	390453	390455	390990	299962	
12V	MOOIT02271	390838	391461**	391585	391584	390452	390455	390990	93771	
110V	J282188	299329	299963	299964	299968	299967	299965		299962	299966
Briggs & Stratton	Housing Length									
12V	3-1/16"	390838	391461**	392061	390837	392744	390846	391705	391706	
12V	3-1/16"	392749	391461**	392061	392747	392744	390846	391705	391706	

*Includes Brush Set

**Includes #391135 Clutch Assembly (Ref. No. 513)
 #280104 Gear (Ref. No. 783)
 #391462 Retainer and Pin (Ref. No. 773)
 # 93754 Roll Pin (Ref. No. 896)

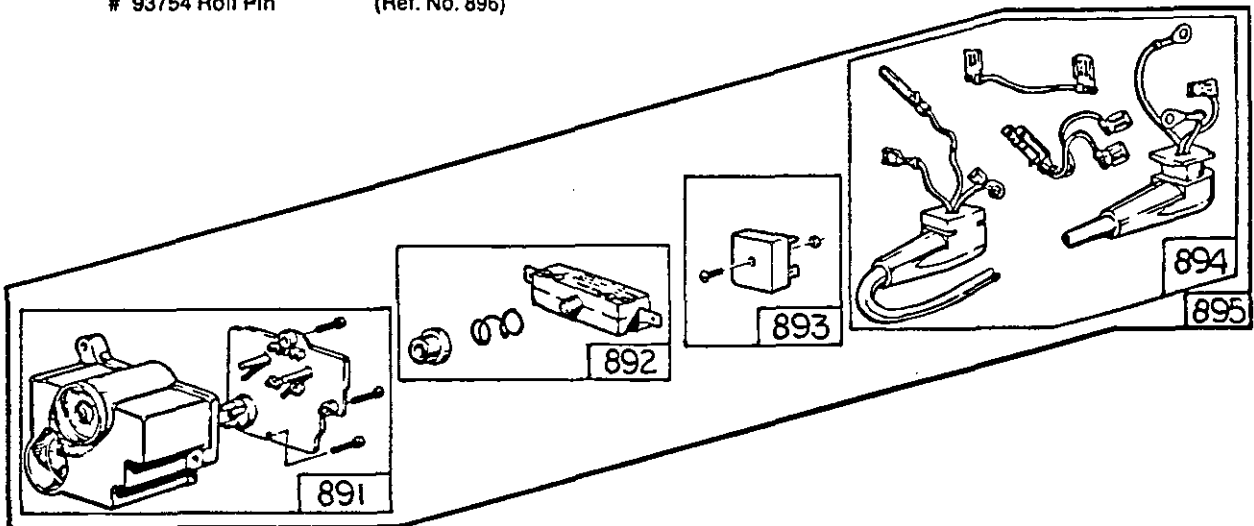
†Uses #392247 Switch Shield Assembly

M Only Briggs & Stratton motors are not marked in these areas.



Subject		Ref. No. 309 and 895	Ref. No. 510	Ref. No. 801	Ref. No. 310	Ref. No. 803	Ref. No. 544	Ref. No. 311	Ref. No. 802
Manufacturer		Motor and Drive Assembly	Drive Assembly	Drive End Cap Assembly	Thru Bolt Assembly	Housing Assembly	Armature Assembly	Brush Assembly	Comm. End Cap Assembly
B&S	Housing Length								
120 V	3-1/2"	393851	391461*	393228	93889	393433	393607	393612	393833

*Includes #391135 Clutch Assembly (Ref. No. 513)
 #280104 Gear (Ref. No. 783)
 #391462 Retainer and Pin (Ref. No. 773)
 # 93754 Roll Pin (Ref. No. 896)



Subject	Ref. No. 891	Ref. No. 892	Ref. No. 893	Ref. No. 894	Ref. No. 895
Manufacturer	Housing Group	Switch Group	Rectifier Group	Lead Group	Control Group
Briggs & Stratton					
120 V	393705	393708	393707	393706	393486

7704-5-109

Assemblies include all parts shown in frames.

REF. NO.	PART NO.	DESCRIPTION	REF. NO.	PART NO.	DESCRIPTION	REF. NO.	PART NO.	DESCRIPTION
1	392001	Cylinder Assembly		260423	Crankshaft			170412, 170413,
2	295962	Bushing-Cylinder			Used on type Nos.			170414, 170451,
	Note:	Requires special tools for installation.			0036, 0161, 0181,			170452.
3	294606	Seal-Oil			0182, 0224, 0251,	19	295964	Bushing-Crankcase Cover
5	211592	Head-Cylinder		260425	Crankshaft			Note: Requires special tools for installation.
6	22963	Washer-Plain			Used on type Nos.	20	298423	Seal-Oil
7	*270430	Gasket-Cylinder Head			0035, 0040, 0138,	21	66768	Plug-Oil Filler
8	294948	Breather Assembly			0139, 0141, 0147,	22	93585	Screw-Crankcase Cover Mounting Sem
9	*27803	Gasket-Valve Cover			0151, 0152, 0153,	23	298260	Flywheel-Magneto
10	93536	Screw-Breather Mounting Sem			0159, 0160, 0162,	23A	392034	Flywheel and Ring Gear Assy. -Magneto
11	67068	Tube-Breather			0164, 0174, 0176,			For use only on electric starter engines <i>WITHOUT ALTERNATOR</i> (Includes aluminum ring gear). For use only with starter motors with Plastic Drive Gear.
12	*27750	Gasket-Crankcase Cover-1/64" thick			0187, 0202, 0203,			Note: 299375 Flywheel-Magneto
	*27876	Gasket-Crankcase Cover-.005" thick			0204, 0207, 0214,			For use on engines <i>WITHOUT ALTERNATOR</i> -machined to accept STEEL ring gear (not included).
	*27877	Gasket-Crankcase Cover-.009" thick		260472	Crankshaft			
13	93113	Screw-Cylinder Head (2-5/16" long)			Used on type Nos.			
14	93211	Screw-Cylinder Head (2-9/16" long)			0136, 0155, 0157,			
15	91084	Plug-Oil Drain			0196, 0210, 0211,			
	Note:	93418 Plug-Oil Drain (Hex. Socket) Used on type Nos. 0158, 0166, 0180, 0206, 0215, 0230.			0226, 0235, 0240.			
16	260607	Crankshaft		260663	Crankshaft			
	Note:	260358 Crankshaft Used on type Nos. 0037, 0115, 0116, 0192, 0201, 0245, 0270.			Used on type No. 0205.			
		260359 Crankshaft Used on type Nos. 0070, 0137, 0188, 0217, 0219, 0223, 0232, 0248, 0250, 0261.	17	29530	Bearing-Ball			
		260389 Crankshaft Used on type Nos. 0049, 0075, 0120, 0121, 0142, 0154, 0163, 0167, 0179, 0183, 0208, 0221, 0227, 0230, 0247, 0258, 0260, 0267.	18	299167	Cover Assy. - Crankcase			
					Used on Model Series 170400, 170401, 170402, 170403, 170404.			
				299168	Cover Assy. - Crankcase			
					Used on Model Series 170431, 170432, 170434 except as listed under Note.			
				Note:	390000 Cover Assy. - Crankcase			
					Used on type No. 0263.			
				299175	Cover Assy. - Crankcase			
					Used on Model Series			
						24	61760	Key-Flywheel
						25	299573	Piston Assy. -Std.
							299566	Piston Assembly - .010" O.S.
							299567	Piston Assembly - .020" O.S.
							299568	Piston Assembly - .030" O.S.
								MODEL 170400 SERIES PISTON RING SETS:
								Note: For Chrome Piston Ring Set - standard size - order Part No. 299743.
						26	391669	Ring Set-Piston-Std.
							391670	Ring Set-Piston- .010" O.S.
								391664 Ring-Piston, Oil, .010" O.S. (w/Expander)

* Included in Gasket Set-Part No. 299577.

REF. NO.	PART NO.	DESCRIPTION	REF. NO.	PART NO.	DESCRIPTION	REF. NO.	PART NO.	DESCRIPTION
	391671	Ring Set—Piston— .020" O. S.		299885	Valve—Intake Used on type Nos.			Used on type No. 0138.
	391672	Ring Set—Piston— .030" O. S.			0070, 0161, 0163, 0164, 0182, 0204, 0205, 0217, 0224, 0245, 0261, 0270.	56	295871	Pulley—Rewind Starter Includes 63" Rope
27	68546	Lock—Piston Pin					Note:	If longer rope is re- quired, order No.
28	295840	Pin Assy.—Piston—Std. (2-7/32" long)	35	65906	Spring—Intake Valve			66894 and cut to length.
	295841	Pin Assembly—Piston— .005" O. S. (2-7/32" long) Used after Serial No. 6702151.	36	26828	Spring—Exhaust Valve	57	294303	Spring—Rewind Starter
	Note:	298401 Pin Assy.— Piston—Std. (2-15/32" long) 294681 Pin Assy.— Piston—.005" O. S. (2-15/32" long) Used before Serial No. 6702161.	40	221596	Retainer—Intake Valve (Used with Valves with groove in stem after Serial No. 6711030)	58	66884	Rope—Rewind Starter 63" long for use with Plastic Pulley.
				Note:	230477 Retainer— Intake Valve Spring 230476 Pin—Intake Valve Spring Retainer Used before Serial No. 6711060 with Valves with hole in stem except those with Rotocoil. (Ref. No. 41)		Note:	If longer rope is needed, order No. 66894 and cut to length.
29	295838	Rod Assy.— Connecting Note: For Connecting Rod with .020" undersize Crankpin Bore—order No. 298788 .	41	292260	Rotocoil—Exhaust Valve	59	230228	Pin—Starter Grip
30	220837	Dipper—Conn. Rod	42	93630	Retainer—Exhaust Valve Rotocoil (2) (For Valves with groove in stem)	60	66728	Grip—Starter Rope
31	220811	Lock—Conn. Rod Screw		Note:	Use for Rotocoil (With Valves with hole in stem)	61	68848	Bumper—Starter Pulley
32	92659	Screw—Connecting Rod			230569 Retainer—Ex- haust Valve Rotocoil	62	93254	Screw—Pulley Bumper Mounting
33	390419	Valve—Exhaust Note: 390420 Valve—Exhaust Used on type Nos. 0070, 0161, 0163, 0164, 0182, 0204, 0205, 0217, 0224, 0245, 0261, 0270.	45	260933	Tappet—Valve	63	260414	Spring—Ratchet
34	299884	Valve—Intake (Grooved Stem — includes Retainer No. 221596) Used after Serial No. 6711030. Note: 230386 Valve—Intake (with hole in stem) Used before Serial No. 6711060. For Pins and Retainers for Valve No. 230386 see Ref. No. 40.	46	211689	Gear—Cam	64	230543	Adapter— Ratchet Spring
			50	210705	Elbow—Intake	65	93067	Screw—Rewind Starter Housing Mounting (Stamped Rewind Hsg.)
			51	† *65647	Gasket—Intake Elbow		Note:	93572 Screw—Rewind Starter Hsg. Mtg. Sem (Cast Rewind Hsg.) Used after Serial No. 6904301.
			52	*27828	Gasket—Intake Elbow Mtg.			Note: 93163 Screw—Rewind Starter Housing Mtg. Sem (10-24 Thread) Used before Serial No. 6905011.
			53	93357	Screw—Carburetor Mounting Sem			230796 Nut—Starter Mounting (4)
			54	93208	Screw—Intake Elbow Mounting Sem			93420 Screw—Starter Mounting (4)
			55	393576	Housing—Rewind Starter			92290 Washer—Lock (4)
				390391				
				Note:	298402 Housing— Rewind Starter			

* Included in Gasket Set—Part
No. 299577.

† Included in Carburetor Overhaul
Kit—Part No. 291763.

170400 to 170466

REF. NO. 65 - 164

REF. NO.	PART NO.	DESCRIPTION	REF. NO.	PART NO.	DESCRIPTION	REF. NO.	PART NO.	DESCRIPTION
		90289 Nut—Square (4) Used on type No. 0138.	85	91386	Screw—Gear Case Cover Mounting	109	391987	Shaft and Lever— Note: 299452 Shaft and Lever—Choke
66	298798	Clutch Assy.—Rewind Starter	86	296053	Cover Assy.—Gear Case			Used on type Nos. 0168, 0169, 0170, 0215, 0233, 0234, 0255, 0256, 0264, 0265.
67	212132	Housing—Rewind Starter Clutch	87	391086	Seal—Oil	110	62899	Washer—Choke Lever
68	63770	Ball—Clutch	88	27328	Gasket—Gear Case Cover	111	26155	Spring—Choke Lever
69	66718	Washer—Starter Clutch, Thrust	89	91488	Plug—Oil Drain	112	23123	Screw—Choke Lever
70	298799	Ratchet—Rewind Starter Clutch	90	299169	Carburetor Assembly (Manual Choke)	113	† 390395	Nozzle—Carburetor
71	221653	Washer—Retainer		Note: 299458 Carburetor Assembly	Used on type Nos. 0168, 0169, 0170, 0215, 0233, 0234, 0255, 0256, 0264, 0265.	114	† 68667	Gasket—Nozzle
73	221796	Screen—Rewind Starter	91	299171	Body Assembly— Upper Carburetor	118	† 99525	Valve Assy.—Needle
	Note: 221668	Screen—Rewind Starter	92	295858	Body—Upper Carburetor	119	90746	Screw—Machine, Fil. Hd.—10-32 x 5/8"
		Used on type No. 0138.	93	23108	Bushing—Throttle Shaft		Note: 91359	Screw—Machine, Fil. Hd.—10-32 x 3/4"
74	93042	Screw—Rotating Screen Mounting Sem	94	† 292681	Valve Assembly— Carburetor Idle		221787	Strap—Choke Wire
	Note: 93705	Screw—Sem (Mounting Screen to Fan Blades)	95	93499	Screw—Throttle and Choke Valve Mtg. Sem			Used on type Nos. 0168, 0169, 0170, 0215.
		93381 Screw	96	62940	Valve—Throttle	120	92290	Washer—Lock—No. 10 x 1/16" x 3/64"
		92791 Washer—Lock (4)	97	298826	Shaft and Lever— Throttle	121	291763	Carburetor Overhaul Kit
		(Mounting Fan to Starter Clutch)	98	91920	Screw—Machine, Fil. Hd.—8-32 x 5/8"	158	27590	Filter—Carburetor Drain
		Used on type No. 0138.	99	26157	Spring—Throttle Adjustment	159	220521	Retainer—Carburetor Drain Filter
		93064 Screw—Rotating Screen Mtg. Sem	100	61967	Stop—Throttle	160	393616	Cleaner Assembly— Air
		Used on type No. 0133.	101	93043	Pin—Throttle Stop	161	296704	Bowl—Air Cleaner
75	220865	Washer—Spring	102	† 27918	Gasket—Carburetor Body	162	296270	Cover and Filter— Air Cleaner
76	68238	Washer—Ratchet Sealing	103	99333	Float—Carburetor	163	* 27907	Gasket—Air Cleaner Mounting
79	296179	Case Assembly—Gear	104	† 230896	Pin—Float Hinge		Note: 27858	Gasket—Air Cleaner
80	27884	Gasket—Gear Case to Crankcase Cover	105	299096	Valve—Fuel Inlet			Used between Elbow and Pipe on type Nos. 0255, 0256.
81	220234	Lock—Gear Case Mounting Screw	107	299170	Body Assembly— Lower Carburetor	164	298410	Pipe Assy.—Air Cleaner
82	92502	Screw—Cap		Note: 299811	Body Assy.— Lower Carburetor		Note: 211070	Elbow—Air Cleaner
83	291762	Shaft Assembly—Drive			Used on type Nos. 0168, 0169, 0170, 0215, 0233, 0234, 0255, 0256, 0264, 0265.			Used between Air Cleaner and stamped steel Air Cleaner Pipe No. 295593 on type Nos. 0255, 0256.
	Note: 296298	Shaft Assy.— Drive	108	221835	Valve—Choke			
		Used on type Nos. 0154, 0208, 0221, 0227, 0267.						
84	92617	Plug—Breather						

* Included in Gasket Set—Part
No. 299577.

† Included in Carburetor Overhaul
Kit—Part No. 291763.

REF. NO.	PART NO.	DESCRIPTION	REF. NO.	PART NO.	DESCRIPTION	REF. NO.	PART NO.	DESCRIPTION
		295593 Pipe Assy. — Air Cleaner Used on type Nos. 0158, 0166, 0207, 0255, 0256, 0264, 0265.			0155, 0189, 0190, 0191, 0210, 0211, 0218, 0221, 0226, 0235, 0242, 0267, 0269.			0187, 0188, 0192, 0195, 0201, 0204, 0205, 0206, 0207, 0209, 0214, 0216, 0217, 0219.
165	93453	Nut—Wing	182	221935	Bracket—Fuel Tank	188	93535	Screw—Sem
166	295947	Stud—Air Cleaner (7-3/4" long)	183	291367	Strap Assy.—Fuel Tank	189	90366	Washer—Lock, 5/16 x 1/8 x 1/16"
	Note:	230539 Stud—Air Cleaner 6-19/32" long (to Elbow)		Note:	291490 Strap Assy. — Fuel Tank	192	91397	Nut—Hex. —5/16-18
		230697 Stud (to Carb.) 6-3/16" long			Used on type Nos. 0147, 0163, 0164, 0167, 0179, 0181, 0185, 0216, 0219, 0248, 0249, 0258, 0259, 0268, 0271.	196	22907	Support—Upper Fuel Tank
	Uses:	92278 Nut—Hex. — 1/4-20	184	91257	Screw— Machine, Fil. Hd. —1/4-20 x 1-1/2"	198	293934	Valve—Fuel Shut-Off
		90832 Washer—Lock Used on type Nos. 0255, 0256.	185	90970	Nut —Square—1/4-20	199	297563	Outlet—Fuel Tank
		390396 Stud—Air Cleaner (6-11/16" long) Used on type Nos. 0264, 0265.	186	67218	Connector—Fuel Pipe (For Flexible Fuel Pipe)	200	221760	Guide—Air
		65978 Seal—"O" Ring		Note:	For Connector for Metal Fuel Pipe order No. 63377 .	201	260872	Link—Governor
167	65978	Seal—"O" Ring	187	296004	Pipe—Fuel (Flexible) 23" long	206	230149	Nut—Gov. Control Rod
168	222707	Strap—Air Cleaner Pipe				207	26855	Spring—Gov. Control Rod
169	90832	Washer—Lock, 1/4" x 3/32" x 5/64"		Note:	All Fuel Pipes in this group are metal pipes.	208	230841	Rod—Governor Control
171	92129	Nut—Hex. —1/4-28			29025 Pipe—Fuel Used on type No. 0180.		Note:	390167 Rod—Control Used on type Nos. 0210, 0211, 0235, 0267.
172	27906	Gasket—Air Cleaner			295690 Pipe—Fuel Used on type No. 0166.	209	260871	Spring—Governor
180	290816	Tank Assy.—Fuel (4 quart)	187A	299427	Pipe—Fuel		Note:	260695 Spring—Governor Used on type Nos. 0193, 0194.
	Note:	291488 Tank Assy. — Fuel (6 quart) Used on type Nos. 0147, 0163, 0164, 0167, 0179, 0181, 0185, 0216, 0219, 0248, 0249, 0258, 0259, 0268, 0271.						260931 Spring— Governor Used on type No. 0252.
		299072 Tank Assy. — Fuel Used on type Nos. 0134, 0143, 0177, 0231.			299445 Pipe—Fuel Used on type Nos. 0010, 0015, 0035, 0036, 0037, 0049, 0070, 0075, 0112, 0115, 0116, 0120, 0121, 0137, 0138, 0139, 0140, 0141, 0142, 0146, 0147, 0151, 0152, 0156, 0157, 0158, 0159, 0160, 0161, 0163, 0164, 0167, 0174, 0176, 0179, 0181, 0182, 0183, 0185,	216	260880	Link—Choke
		69221 Cap—Fuel Tank				217	260903	Spring—Choke Link
	Note:	297866 Cap—Fuel Tank Used on type Nos. 0016, 0133, 0154,				218	221198	Washer—Choke Link
						219	297656	Gear—Governor
						220	221551	Washer—Thrust
						222	299012	Plate—Governor Control
							Note:	390166 Plate—Governor Control Uses: 390167 Rod—Control Used on type Nos. 0210, 0211, 0235, 0267.
						224	93067	Screw—Hex. Hd.
						227	299165	Lever Assy.—Governor
						229	220680	Washer
						230	221559	Washer—Spacer
						231	93064	Screw—Sem
181	69221	Cap—Fuel Tank				240	393169	Filter Assembly—Fuel (Used with Metal or Flexible Fuel Pipe)
	Note:	297866 Cap—Fuel Tank Used on type Nos. 0016, 0133, 0154,						

REF. NO.	PART NO.	DESCRIPTION	REF. NO.	PART NO.	DESCRIPTION	REF. NO.	PART NO.	DESCRIPTION
240A	298090	Filter—Fuel (In Fuel Pipe)			0134, 0143, 0144, 0170, 0177, 0231.			0189, 0190, 0191, 0210, 0221, 0235, 0267.
241	296005	Cover Assembly—Fuel (Used with Flexible Fuel Pipe)			296371 Muffler—Exh. Used on type Nos. 0154, 0210, 0211, 0221, 0235, 0267, 0269.			299860 Housing— Blower Used on type Nos. 0040, 0113, 0144, 0153, 0170, 0177, 0196, 0199, 0203, 0231, 0237, 0256, 0265.
	Note:	99909 Cover Assy. — Fuel Filter (Used with Metal Fuel Pipe)			299629 Muffler—Exh. Uses:			299861 Housing— Blower Used on type Nos. 0194, 0234.
242	394388	Valve—Fuel Shut-off For Fuel Shut-off and Cover, order Part No. 295913.			93549 Screw—Mtg. (2) 221885 Shield—Heat 222265 Screw—Lock Used on type Nos. 0202, 0222.			299862 Housing— Blower Used on type No. 0138.
243	22547	Screen—Fuel Filter	301	91245	Nipple—Exhaust	305	93158	Screw—Sem
244	230318	Connector—Fuel Pipe (For Flexible Fuel Pipe)	302	91242	Locknut—Muffler and Elbow	306	222830	Shield—Cylinder
	Note:	For Connector for Metal Fuel Pipe, order No. 53029.	303	91246	Elbow—Muffler—45° Note: 91219 Elbow—Muffler, 45°, Street	307	93163	Screw—Cylinder Shield Mtg. Sem
245	*68477	Gasket—Fuel Filter Bowl			Used on type Nos. 0138, 0158, 0173, 0186, 0193, 0194, 0209, 0212, 0213, 0227, 0251.	308	221901	Cover—Cylinder Head
246	298683	Bowl—Fuel Filter			91464 Elbow—Muffler, 90°, Street	309		Motor—Starting (12 Volt and 120 Volt) See Chart on Pages 5 and 7 for Replacement Parts for Starting Motors.
247	99665	Yoke—Fuel Filter			Used on type Nos. 0134, 0143, 0144, 0154, 0155, 0170, 0177, 0198, 0199, 0209, 0210, 0211, 0217, 0221, 0231, 0235, 0236, 0237, 0240, 0241, 0252, 0262, 0264, 0265, 0267, 0269.	309A		Motor—Starting (110 Volt) See Chart on Page 7 for Replacement Parts for Starting Motors.
265	221535	Clamp—Casing				321	210899	Pulley—Electric Starter
266	291460	Control—Throttle					Note:	221067 Screen Uses:
268	65616	Casing—Control Wire— 72" long						93506 Screw 90366 Washer—Lock To mount Screen to Pulley. Used on type No. 0144.
	Note:	If longer casing is required, specify length in inches; if shorter casing is needed, order No. 65616 and cut to required length.	304	299853	Housing—Blower Note: 299392 Housing— Blower			Used on type No. 0211, 0218, 0226, 0242, 0269.
269	26633	Wire—Control—78" long			Used on type Nos. 0112, 0114, 0134. 299412 Housing— Blower	322	90931	Screw—Cap, Hex. Hd. —1/4-20 x 2-1/4"
	Note:	If longer wire is required, specify length in inches; if shorter wire is needed, order No. 26633 and cut to required length.				323	67708	Belt—Vee Note: 68588 Belt—Vee Used on type No. 0234.
270	63426	Locknut—Control Wire Casing						
271	290568	Lever Assy.—Control						
300	294599	Muffler—Exhaust Note: 221866 Support— Muffler Used on type Nos.						

* Included in Gasket Set—Part
No. 299577.

REF. NO.	PART NO.	DESCRIPTION	REF. NO.	PART NO.	DESCRIPTION	REF. NO.	PART NO.	DESCRIPTION
324	221067	Screen	362	291630	Shield—Spark Plug (With Stop Switch)			221969 Support—Air Cleaner
325	299307	Pulley and Screen— Rope Starter	363	19165	Puller—Flywheel (Optional Accessory)			(Between Spacer and Element)
	Note:	221400 Pulley—Rope Starter Used on type No. 0153.	373	92987	Nut—Hex.			270055 Spacer (Between Support and Gasket)
328	221447	Guard—Belt	374	93917	Washer—Lock No. 10			Used on type Nos. 0264, 0265.
332	92284	Nut	380	91324	Washer—Plain			
333	298968	Armature Assembly		Note:	62199 Washer—Guard to Guard Bracket Used on type No. 0234.	552	230843	Bushing—Governor Shaft
334	93381	Screw—Armature Mtg. Sem	411	93448	Plug—Oil Level Hole	562	92613	Bolt—Governor Lever
337	298809	Plug—Spark (1-1/2" high— 37 & 42 M. M.)	423	93410	Screw—Sem	590	93226	Screw—Breaker Mtg.
	Note:	Spark Plugs use Igni- tion Cable Terminal No. 221798.	492	296028	Starter—Generator (12 volt) (Delco-Remy No. 1101873 and Pulley— Delco-Remy No. 1949358)	592	90356	Nut—Hex. —10-24
		29693 Plug—Spark (2" high—51 M. M.)	493	211594	Bracket—Starter	601	93053	Clamp—Fuel Pipe
		293918 Plug—Spark (1-1/2" high) (Resistor Type)	497	91203	Screw—Cap, Hex. Hd. —5/16-18 x 1-3/4"	605	297187	Bracket—Guard (Upper)
339	29667	Breaker Assy. — Ignition	500	91325	Washer—Plain		Note:	298758 Bracket—Guard (Upper) Used on type No. 0234.
340	26018	Spring—Breaker Arm	501	295924	Regulator—Voltage (Delco-Remy No. 1118988)	605A	297171	Bracket—Guard (Lower)
342	65704	Plunger—Breaker Point	508	93294	Screw—Sem	606	221443	Strap—Adjusting
343	29861	Condenser	517	295423	Pulley—Rope Starter		Note:	221790 Strap— Adjusting Used on type No. 0234.
344	93370	Screw—Condenser Mtg. Sem	518	69932	Rope—Starter	608	390391	Starter Assy. —Rewind (Standard length rope)
345	221046	Cover—Breaker Point	521	298529	Shielding—Ignition Cable		Note:	For Starter Assembly with longer than standard rope (63") order No. 298107.
346	93705	Screw—Hex. Hd.	523	390848	Cap and Dipstick—Oil Filler			298340 Starter Assy. — Rewind Used on type No. 0138.
347	220884	Switch—Stop (For 1-1/2" high— 37 & 42 M. M. Spark Plugs)	523A	295923	Cap and Gage Assy. — Oil Filler	614	93306	Cotter—Hair Pin
	Note:	221808 Switch—Stop (For 2" high—51 M. M. Spark Plugs)	524	68838	Seal—Filler Tube to Crankcase	615	93307	Retainer—E-Ring
		298926 Switch—Stop Used on type Nos. 0161, 0220.	524A	65304	Gasket—Filler Cap	616	231070	Crank—Governor
352	66068	Washer—Insulating	525	299284	Tube—Filler	621	297472	Switch—Stop
353	92791	Washer—Lock— Shakeproof (3)	525A	230553	Pipe—Oil Filler	626	230749	Spacer—Governor Crank
354	90576	Nut—Hex. —8-32 (2)	527	221428	Clamp	635	66538	Elbow—Spark Plug
355	66554	Collar—Insulating	535	270209	Element—Air Cleaner	638	26404	Washer
356	299500	Wire—Ground	536	393616	Cleaner Assy.—Air	642	221634	Cover—Air Cleaner
357	91540	Key—Pulley		Note:	299593 Cleaner Assy. — Air	643	280002	Cup—Air Cleaner
358	299577	Gasket Set		Uses:	29707 Gasket (Between Spacer and Air Cleaner Pipe)		Note:	280015 Cup—Air Cleaner Used on type Nos. 0264, 0265.
						645	23513	Bushing—Plunger

REF. NO.	PART NO.	DESCRIPTION	REF. NO.	PART NO.	DESCRIPTION	REF. NO.	PART NO.	DESCRIPTION
648	91439	Screw—Cap, Hex. Hd. —1/4-20 x 3/8"			Used on type No. 0138.	731	299391	Hood—Snow
655	222598	Anchor—Spring (For Stamped Rewind Housing)	687	298957	Slide—Friction Control		Note:	299602 Hood—Snow
	Note:	221014 Anchor—Spring (For Cast Rewind Housing)	688	221766	Cap—Friction Spring			Used on type Nos. 0154, 0210, 0211, 0221, 0235, 0267, 0269.
657	93496	Screw—Sem	689	260847	Spring—Friction	732	93490	Screw—Sem
665	298858	Oil Minder	690	92484	Screw—Machine, Fil. Hd. —10-32 x 1/2"	735	390966	Cord—Starter
	Note:	298859 Oil Minder Used on type Nos. 0163, 0164, 0238, 0253, 0266.	726	299543	Gear, Flywheel Ring (Includes Mounting Parts)	762	297335	Electric Starter-Generator Kit—12 Volt (Low Position)
		298860 Oil Minder Used on type No. 0219.	727	390233	Cover and Shield—Starter			763 391604 Electric Starter Kit—12 Volt (Gear Drive)
682	211516	Shield—Starter Clutch		Note:	221940 Guard—Ring Gear	763A	393611	Electric Starter Kit—110 Volt (Gear Drive)
	Note:	211521 Fan—Starter Clutch		Uses:	93623 Screw (2)	843	280149	Sleeve—Choke Lever
		Uses:			90366 Lock—Washer (2)	851	221798	Terminal—Ignition Cable
		93381 Screw			Used to mount Guard on type Nos. 0016, 0114, 0133, 0154, 0189, 0221, 0235, 0267.	869	211661	Seat—Intake Valve (Standard)
		92791 Washer—Lock (4) (To mount Fan to Starter Clutch) (4)	728	93523	Screw—Sem	870	211661	Seat—Exhaust Valve (Standard)
			729	221907	Clip—Wire	871	230655	Guide—Exhaust Valve
			730	299384	Stack—Carb.			

