

**170700 to 170799**

# Illustrated Parts List

## Model Series

# 170700 to 170799

TYPE NUMBERS  
1510 through 1526  
1610 through 1652  
5515 through 5527  
5625 through 5638

### TO FIND

**THE CORRECT NUMBER OF THE PART YOU NEED:**

**FOLLOW THE INSTRUCTIONS BELOW**

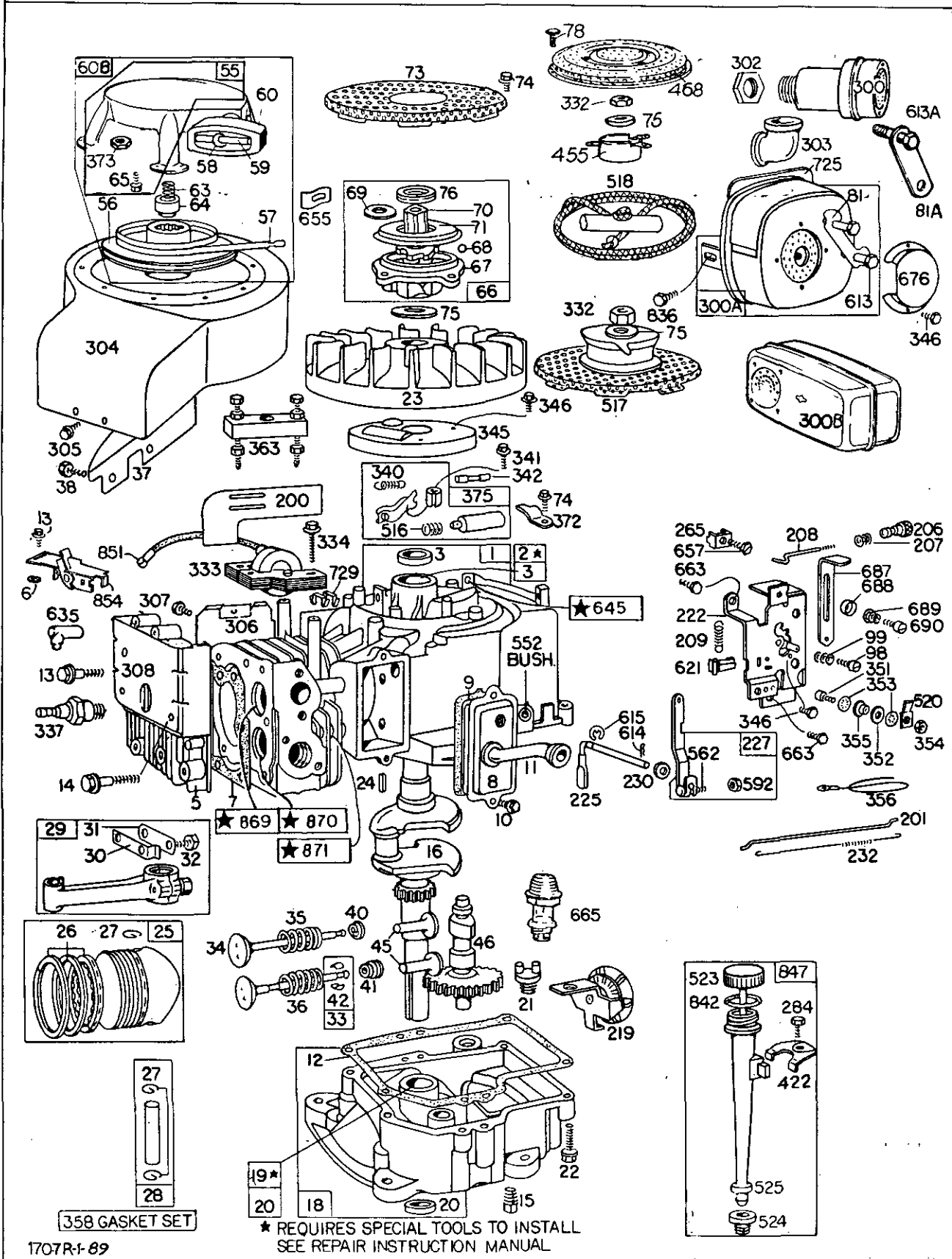
- A. Refer to Engine Model, Type and Code Number that is stamped on the blower housing of engine. Engine type numbers such as 5515 01 are listed herein only as 5515. The two digits (01 or 02, etc.) to the right of the space are not needed for parts identification. Then use the Illustrated Parts List covering the Model Series.
- B. Refer to Illustrated Parts section and compare the old part with illustration. The number on the illustration is the Reference Number. Assemblies include all parts shown in frames. All parts shown in assembly frames on which individual reference numbers are given can be purchased separately.
- C. After the Reference Number has been identified, refer to the Numerical Parts List, where Reference and Master Part Numbers are listed. **THE MASTER PART IS USED ON ALL TYPE NUMBERS EXCEPT THOSE TYPE NUMBERS UNDER "NOTE"**.
- D. If a "Note" appears below the Master Part Number, this means that this part differs from the Master Part for certain types. If the Type Number is listed under "Note", order the part referred to.
- E. If the Engine Type Number does not appear after any part number listed under "Note", use the Master Part Number.
- F. For Type Numbers higher than those covered by this book, please refer to the factory if you are unable to identify the part by comparison.

PRINTED IN U.S.A.



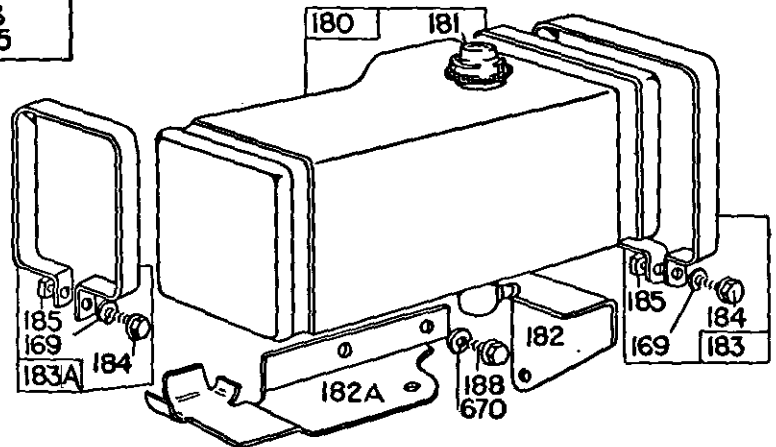
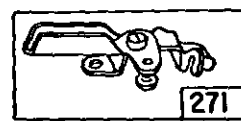
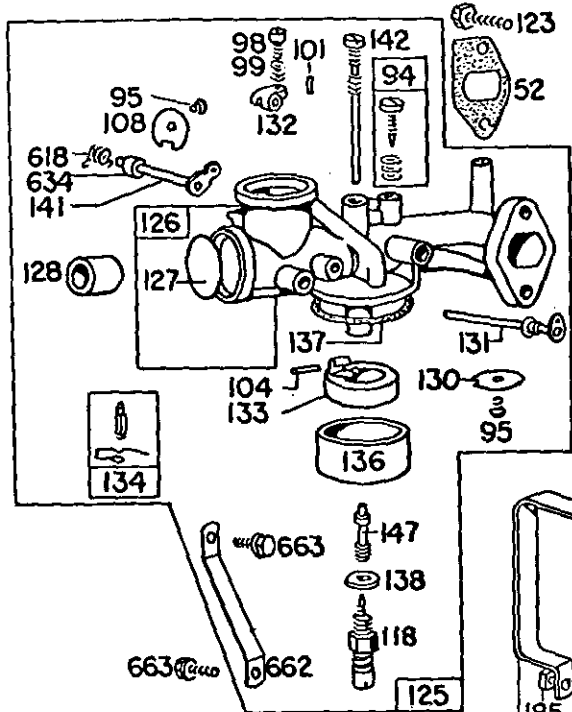
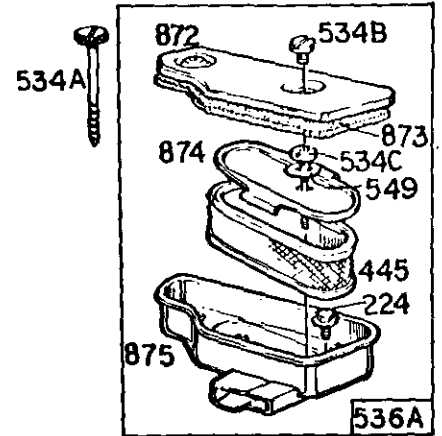
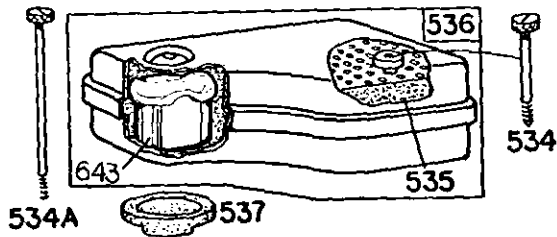
COPYRIGHT ©

# 170700 to 170799

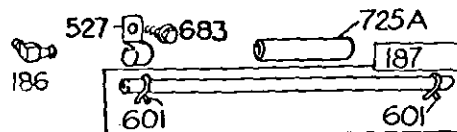
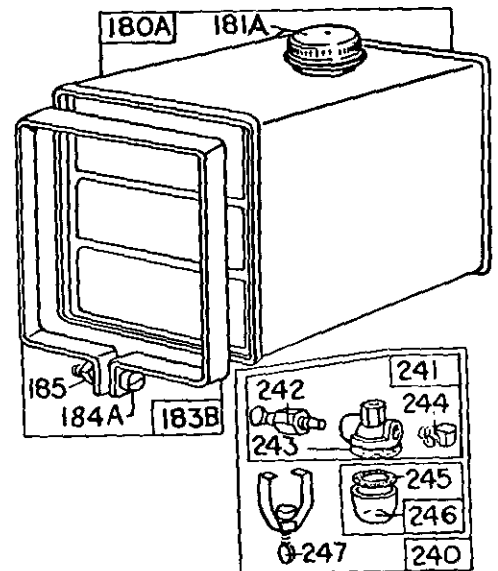
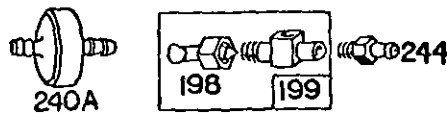
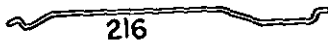
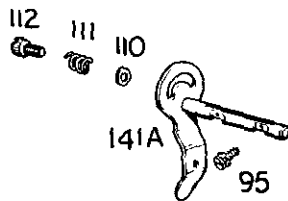


Assemblies include all parts shown in frames:

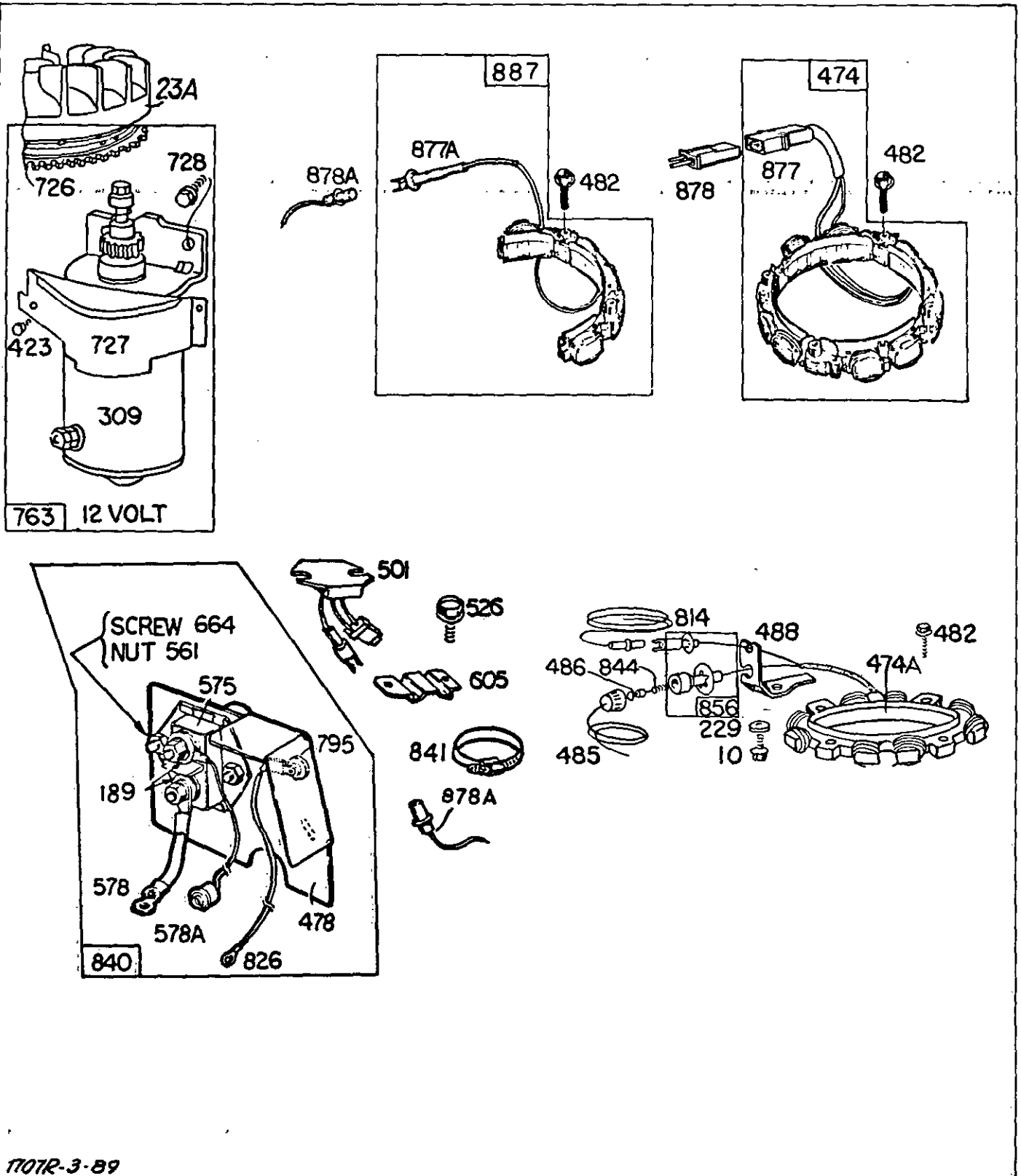
6924



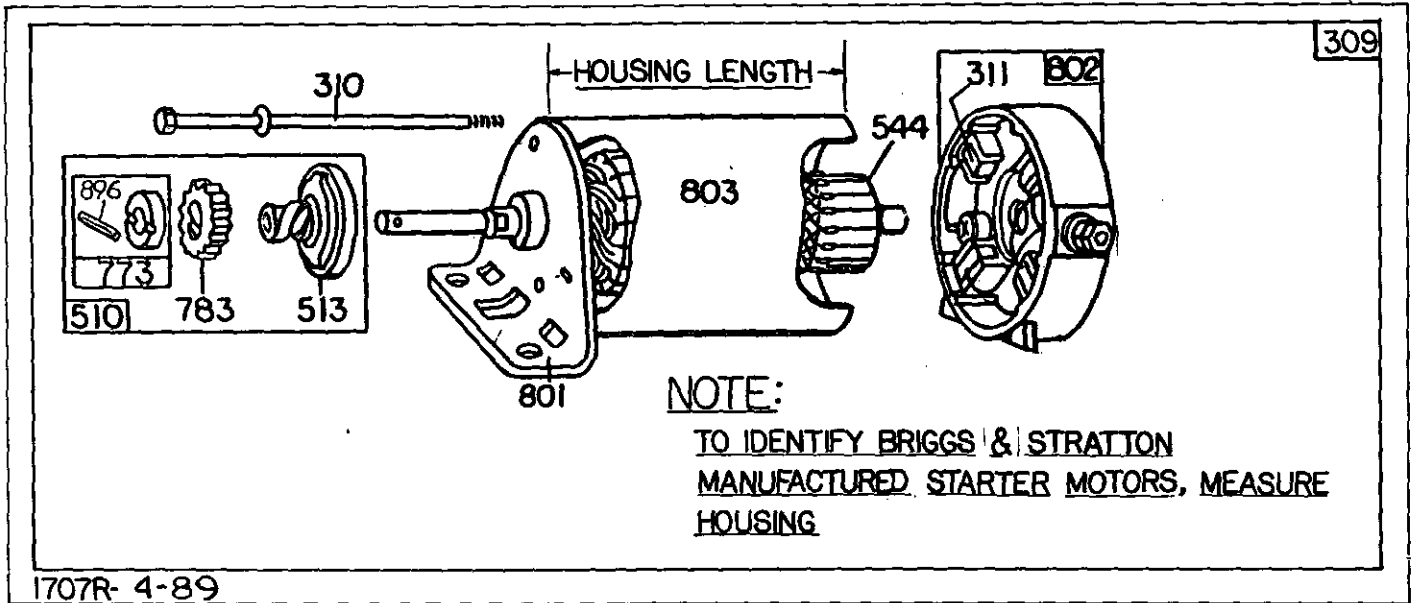
12-CARBURETOR OVERHAUL KIT



# 170700 to 170799



Assemblies include all parts shown in frames.



		Ref. No. 309	Ref. No. 510	Ref. No. 801	Ref. No. 544	Ref. No. 803	Ref. No. 802	Ref. No. 311	Ref. No. 310
Starter Motor Mfr.		Motor and Drive Assy.	**Drive Assembly	End Cap Assy. Drive	Armature Assembly	Housing Assembly	End Cap Assy. Commutator*	Brush Assembly	Thru Bolt Assembly
Briggs & Stratton	Housing Length								
12V	3-1/16"	392749	391461	392061	392747	392744	390846	391705	391706

\*Includes Brush Set

\*\*Includes #391135 Clutch Assembly (Ref. No. 513)  
 #280104 Gear (Ref. No. 783)  
 #391462 Retainer and Pin (Ref. No. 773)  
 # 93754 Roll Pin (Ref. No. 896)

REF. NO.	PART NO.	DESCRIPTION	REF. NO.	PART NO.	DESCRIPTION	REF. NO.	PART NO.	DESCRIPTION
1	392004	Cylinder Assembly			<b>22963</b> Washer (1) Used on type Nos. 5520, 5526, 5527.			only with starter motors with Plastic Drive Gear.
2	295962	Bushing-Cylinder						<b>Note:</b> <b>392034</b> Flywheel and Ring Gear Assy. - Magneto
		<b>Note:</b> Requires special tools for installation.	15	91084	Plug-Oil Drain (Hex. Socket)			For use only on electric starter engines <i>WITHOUT ALTERNATOR</i> (Includes aluminum ring gear). For use only with starter motors with Plastic Drive Gear.
3	294606	Seal-Oil			<b>Note:</b> <b>93448</b> Plug-Oil Drain			
5	212285	Head-Cylinder			Used on type Nos. 1638, 1640.			
6	22963	Washer						
7	270430	Gasket-Cylinder Head	16	260609	Crankshaft			
8	299848	Breather Assembly			<b>Note:</b> <b>260973</b> Crankshaft			
		<b>Note:</b> <b>391406</b> Breather Assy. Used on type Nos. 5515, 5520, 5525, 5526, 5527, 5625, 5626, 5628, 5629, 5630, 5631, 5632, 5633, 5634, 5635, 5636, 5637, 5638.			Used on type Nos. 1631, 1632, 1635, 1646, 1647, 1649, 5527, 5626, 5630, 5631, 5637, 5638.			
9	27803	Gasket-Valve Cover			<b>261008</b> Crankshaft			
10	93394	Screw-Sem			Used on type Nos. 1633, 5633, 5634, 5635.			
11	280005	Tube-Breather			<b>261143</b> Crankshaft			
12	27750	Gasket-Crankcase Cover-1/64" thick			Used on type No. 1640.			
	27876	Gasket-Crankcase Cover-.005" thick			<b>261171</b> Crankshaft			
	27877	Gasket-Crankcase Cover-.009" thick			Used on type No. 1638.			
13	93211	Screw-Cylinder Head (2-21/32" long)			<b>261189</b> Crankshaft			
		<b>Note:</b> <b>93776</b> Stud-Cylinder Head (1)	18	298616	Sump-Oil			
		<b>22963</b> Washer (1) Used on type Nos. 5520, 5526, 5527.			<b>Note:</b> <b>296594</b> Sump-Oil			
		<b>93776</b> Stud-Cylinder Head (2)			Used on type No. 1625.			
		<b>22963</b> Washer (2) Used on type Nos. 1638, 1640.			<b>390479</b> Sump-Oil			
		<b>93776</b> Stud-Cylinder Head (3)			Used on type Nos. 1638, 1640.			
		<b>22963</b> Washer (3) Used on type No. 1637.	19	295963	Bushing-Oil Sump			
14	93723	Screw-Cylinder Head (3" long)			<b>Note:</b> Requires special tools for installation.			
		<b>Note:</b> <b>93781</b> Stud-Cylinder Head (1)	20	298423	Seal-Oil			
			21	66768	Plug-Oil Filler			
			22	93585	Screw-Sump Mtg. Sem			
			23	298260	Flywheel-Magneto			
			23A	391983	Flywheel and Ring Gear Assy. -Magneto			
					For use on engines <i>WITH ALTERNATOR</i> . (Includes aluminum ring gear). For use			
						24	61760	Key-Flywheel
						25	299573	Piston Assy.-Std.
							299566	Piston Assembly-.010" O. S.
							299567	Piston Assembly-.020" O. S.
							299568	Piston Assembly-.030" O. S.
						<b>PISTON RING SETS:</b>		
								<b>Note:</b> For Chrome Piston Ring Set - Standard Size - order No. 299743.
						26	391669	Ring Set-Piston-Std.
							391670	Ring Set-Piston-.010" O. S.
							391671	Ring Set-Piston-.020" O. S.
							391672	Ring Set-Piston-.030" O. S.
						27	68546	Lock-Piston Pin
						28	295840	Pin Assy.-Piston-Standard
							295841	Pin Assy.-Piston-.005" O. S.
						29	295839	Rod Assembly--Connecting
								<b>Note:</b> For Connecting Rod with .020" undersize Crankpin Bearing--order No. 298788.
						30	221725	Dipper-Connecting Rod

♦ Included in Gasket Set--Part No. 299577.

REF. NO.	PART NO.	DESCRIPTION	REF. NO.	PART NO.	DESCRIPTION	REF. NO.	PART NO.	DESCRIPTION
31	220811	Lock—Connecting Rod Screw	63	260414	Spring—Ratchet	112	23270	Screw—Choke Lever
32	92659	Screw—Connecting Rod	64	230543	Adapter—Ratchet	118	‡391233	Valve—Needle
33	390419	Valve—Exhaust	65	93067	Screw—Stamped Steel Rewind Starter Housing Mounting	121	299852	Carburetor Overhaul Kit
34	261055	Valve—Intake				123	93357	Screw—Carburetor Mounting
35	65906	Spring—Intake Valve	66	298798	Clutch Assembly—Rewind Starter	125	390811	Carburetor Assembly (Choke-A-Matic)
36	26828	Spring—Exhaust Valve	66A	393117	Clutch Assembly—Rewind Starter For Engines with Ring Gear on Flywheel equipped for or with Electric Motor.			<b>Note:</b> 390411 Carb. Assy. (Manual Choke) Used on type Nos. 1510, 1516, 1519, 1610, 1611, 1612, 1614, 1615, 1625, 1628, 1631, 1641, 1648, 1652.
37	222475	Guard—Flywheel	67	212132	Housing—Rewind Starter Clutch	126	299851	Body Assy.—Lower Carburetor
38	93777	Screw—Sem	67A	261453	Housing—5/8-18 thread For Engines with Ring Gear on Flywheel equipped for or with Electric Motor.	127	221997	Plug—Welch
40	221596	Retainer—Intake Valve	68	63770	Ball—Clutch	128	211682	Venturi—Carburetor
41	292260	Rotocoil—Exhaust Valve	69	66718	Washer—Starter Clutch, Thrust	130	221986	Valve—Throttle
42	93630	Retainer—Exhaust Valve Rotocoil (2)	70	298799	Ratchet—Rewind Starter Clutch	131	391512	Shaft and Lever—Throttle
45	260933	Tappet—Valve	71	221653	Washer—Retainer	132	211712	Stop—Throttle
46	210728	Gear—Cam	73	221796	Screen—Rewind Starter	133	299707	Float—Carburetor
52	‡270538	Gasket—Carburetor Mounting	74	93042	Screw—Sem	134	‡299096	Valve—Fuel Inlet
	<b>Note:</b>	270824 Gasket—Carburetor Mounting Used on type Nos. 5515, 5520, 5525, 5526, 5527, 5625, 5626, 5628, 5629, 5630, 5631, 5632, 5633, 5634, 5635, 5636, 5637, 5638.	75	220865	Washer—Spring	136	221995	Bowl—Float
55	393576	Housing—Rewind Starter	76	68238	Washer—Ratchet Sealing	137	‡270511	Gasket—Float Bowl
	<b>Note:</b>	299431 Housing—Rewind Starter Used on type No. 1642.	78	93808	Screw—Sem	138	‡222014	Washer—Float Bowl
56	295871	Pulley—Rewind Starter	81	222263	Lock—Screw	141	390684	Shaft and Lever Choke
	<b>Note:</b>	Includes 63" Rope; if longer Rope is required, order Rope No. 66894 and cut to required length.	81A	222265	Lock—Muffler Mtg.	141A	299647	Shaft and Lever—Manual Choke
57	294303	Spring—Rewind Starter	94	‡292681	Valve Assembly—Carburetor Idle	142	‡299740	Nozzle—Carburetor
58	66884	Rope—Rewind Starter—63" long for use with Plastic Pulley; if longer Rope is needed, order No. 66894 and cut to required length.	95	93499	Screw—Throttle and Choke Valve Mtg. Sem	147	‡230932	Screw—Nozzle
			98	91920	Screw—Machine, Fill. Hd. 8-32 x 5/8"	169	90832	Washer—Lock—1/4" x 3/32" x 5/64"
			99	26157	Spring—Throttle Adjustment	180	390225	Tank Assy.—Fuel (3 Quart)
59	230228	Pin—Starter Grip	101	93043	Pin—Throttle Stop	180A		Tank Assy.—Fuel
60	66728	Grip—Starter Rope	104	‡230896	Pin—Float Hinge		<b>Note:</b>	292415 Tank Assy.—Fuel (8 Quart) Used on type No. 1645.
			108	222010	Valve—Choke	181	392300	Cap—Fuel Tank
			110	220899	Washer—Choke Lever	181A	392301	Cap—Fuel Tank
			111	26229	Spring—Choke Lever	182	222813	Bracket—Fuel Tank, R. H.

‡ Included in Gasket Set—Part No. 299577.

‡ Included in Carburetor Overhaul Kit—Part No. 299852.

REF. NO.	PART NO.	DESCRIPTION	REF. NO.	PART NO.	DESCRIPTION	REF. NO.	PART NO.	DESCRIPTION
182A	222112	Bracket-Fuel Tank, L. H.	219	392718	Oil Slinger, Gov. Gear and Bracket Assembly	270	63426	Locknut-Control Wire Casing
183	390406	Strap Assy.-Fuel Tank	222	390662	Plate-Gov. Control	271	290568	Lever Assy.-Control
183A	390405	Strap Assy.-Fuel Tank		Note:	390661 Plate-Gov. Control	284	93804	Screw-Clamp Mtg.
183B		Strap Assy.-Fuel Tank			Used on type Nos. 1510, 1516, 1519, 1610, 1611, 1612, 1614, 1615, 1625, 1628, 1631, 1641, 1648, 1652.	300	393010	Muffler-Exhaust (Round Lo-Tone)
	Note:	291490 Strap Assy.-Fuel Tank				300A	391313	Muffler-Exhaust
		Used on type No. 1645.					Note:	390147 Muffler-Exhaust
184	93803	Screw-Hex. Hd.	224	93067	Screw-Sem			Used on type Nos. 1629, 1630.
184A	91257	Screw-Machine, Fill. Hd.-1/4-20 x 1-1/2"	225	231058	Crank-Governor (1/4" Dia.)			390755 Muffler-Exhaust
185	90970	Nut-Square, 1/4-20	227	391733	Lever Assy.-Governor For 1/4" Dia. Crank			Used on type Nos. 1638, 1640, 5633, 5635.
186	67218	Connector-Fuel Pipe	229	220680	Washer-Flat	300B	392101	Muffler-Exhaust (Super Lo-Tone)
187	296004	Pipe-Fuel	230	222450	Washer-Governor Lever (1/4" I. D.)	302	91242	Locknut-Muffler and Elbow
188	93535	Screw-Sem	232	260584	Spring-Gov. Link		Note:	261409 Locknut-Muffler and Elbow
198	293934	Valve-Fuel Shut-Off	240	295984	Filter Assy.-Fuel			Used on type Nos. 1633, 1644.
199	390303	Connector-Fuel Pipe	240A	298090	Filter-Fuel (In Fuel Line)	303	91219	Elbow-Muffler 45° Street
	Note:	295896 Connector-Fuel Pipe	241	296005	Cover Assy.-Fuel		Note:	91464 Elbow-Muffler, 90° Street
		Used on type Nos. 1644, 1650.	242	295913	Valve-Fuel Shut-off			Used on type No. 1644.
200	221760	Guide-Air	243	22547	Screen-Fuel Filter	304	299853	Housing-Blower
201	260971	Link-Governor	244	230318	Connector-Fuel Line		Note:	299332 Housing-Blower
206	230149	Nut-Gov. Control Rod	245	468477	Gasket-Fuel Filter Bowl			Used on type No. 1642.
207	26855	Spring-Gov. Control Rod	246	298683	Bowl-Fuel Filter			299392 Housing-Blower
208	230841	Rod-Governor Control	247	99665	Yoke-Fuel Filter			Used on engines with electric starters (Ref. No. 309) except see other numbers in this group for type Nos. 1525, 1526, 1614, 1615, 1630, 1636, 1638, 1648, 1651.
209	261306	Spring-Governor	265	221535	Clamp-Casing			299861 Housing-Blower
	Note:	260871 Spring-Gov. Used on type Nos. 1629, 1630, 1632, 1635, 1640, 1646, 1649, 5527, 5625, 5626, 5628, 5629, 5630, 5631, 5637, 5638.	268	65616	Casing-Control Wire-72" long			Used on type Nos. 1510, 1519.
		261129 Spring-Gov. Used on type Nos. 1625, 5632, 5633, 5635, 5636.		Note:	If longer casing is required, specify length in inches; if shorter casing is needed, order No. 65616 and cut to required length.			
		261130 Spring-Gov. Used on type No. 1644.	269	26633	Wire-Control-78" long			
216	261117	Link-Choke		Note:	If longer wire is required, specify length in inches; if shorter wire is needed, order No. 26633 and cut to required length.			

♦ Included in Gasket Set-  
Part No. 299577.



REF. NO.	PART NO.	DESCRIPTION	REF. NO.	PART NO.	DESCRIPTION	REF. NO.	PART NO.	DESCRIPTION
	<b>299870</b>	Housing-Blower Used on type Nos. 1516, 1517, 1610, 1611, 1625, 1626, 1628, 1629, 1635, 1637, 1643, 1644, 1650.		<b>Note:</b>	Spark Plugs use Ignition Cable Terminal No. 221798.	<b>474A</b>	<b>391520</b>	Stator-Alternator (Diode Type)
	<b>391379</b>	Housing-Blower Used on type Nos. 5525, 5526, 5527, 5625, 5626, 5628, 5630, 5631, 5635, 5636, 5637.		<b>293918</b>	Plug-Spark (With Gasket 1-1/2" Resistor Type)		<b>Note:</b>	<b>391532</b> Stator-Alternator (Diode Type) Used on type Nos. 1636, 5625, 5635, 5636.
	<b>391395</b>	Housing-Blower Used on type Nos. 5515, 5520, 5629, 5632, 5633, 5634, 5638.	<b>340</b>	<b>26018</b>	Spring-Breaker Arm	<b>478</b>	<b>222751</b>	Panel-Instrument
<b>305</b>	<b>93158</b>	Screw-Blower Housing Mtg. Sem	<b>341</b>	<b>93381</b>	Screw-Breaker Arm Mounting Sem	<b>482</b>	<b>93621</b>	Screw-Stator Mtg.
	<b>Note:</b>	<b>93294</b> Screw-Sem Used to mount Blower Housing to Cylinder Head on type Nos. 1516, 1517, 1610, 1611, 1625, 1626, 1628, 1629, 1635, 1637, 1643, 1644, 1650.	<b>342</b>	<b>65704</b>	Plunger-Breaker Point	<b>485</b>	<b>390888</b>	Knob Assy.-Fuse
			<b>345</b>	<b>222117</b>	Cover-Breaker Point	<b>486</b>	<b>391507</b>	Diode-Alternator
			<b>346</b>	<b>93705</b>	Screw-Hex. Head	<b>488</b>	<b>222211</b>	Bracket-Output
			<b>351</b>	<b>93735</b>	Screw-Terminal	<b>501</b>	<b>393374</b>	Regulator-Alternator (10 Amp.)
				<b>Note:</b>	<b>91920</b> Screw-Fill. Head Used on type Nos. 5515, 5520, 5525, 5526, 5527, 5626, 5631, 5634, 5637.	<b>516</b>	<b>260374</b>	Spring-Connector
			<b>352</b>	<b>66068</b>	Washer-Insulating	<b>517</b>	<b>295423</b>	Pulley-Rope Starter (with screen)
			<b>353</b>	<b>92791</b>	Washer-Lock-Shakeproof	<b>518</b>	<b>69932</b>	Rope-Starter
			<b>354</b>	<b>90576</b>	Nut-Hex. -8-32 (2)	<b>520</b>	<b>93722</b>	Terminal-Spade
			<b>355</b>	<b>66554</b>	Collar-Insulating	<b>523</b>	<b>391840</b>	Cap and Dipstick-Oil Filler
			<b>356</b>	<b>299500</b>	Wire-Ground	<b>524</b>	<b>68838</b>	Seal-Filler Tube
				<b>Note:</b>	<b>391255</b> Wire-Jumper Used in addition to No. 299500 Ground Wire on type Nos. 1515, 1516, 1517, 1525, 1526, 1633, 1636, 1637, 1641, 5515, 5520, 5525, 5526, 5527, 5633.	<b>525</b>	<b>280133</b>	Tube-Oil Filler
<b>306</b>	<b>222830</b>	Shield-Cylinder	<b>358</b>	<b>299577</b>	Gasket Set	<b>526</b>	<b>93343</b>	Screw-Regulator
<b>307</b>	<b>93163</b>	Screw-Cylinder Shield Mtg. Sem	<b>363</b>	<b>19203</b>	Puller-Flywheel	<b>527</b>	<b>221428</b>	Clamp (2)
<b>308</b>	<b>222636</b>	Cover-Cylinder Head	<b>372</b>	<b>220477</b>	Clamp-Condenser	<b>534</b>	<b>93622</b>	Screw-Air Cleaner
<b>309</b>		Motor-Starting (12 Volt) <b>See Chart for Replacement Parts for Starting Motors on Page 4.</b>	<b>373</b>	<b>92987</b>	Nut-Hex.	<b>534A</b>	<b>93323</b>	Screw-Air Cleaner
			<b>375</b>	<b>294628</b>	Breaker Points and Condenser Set	<b>534B</b>	<b>93913</b>	Screw-Air Cleaner
<b>332</b>	<b>92284</b>	Nut-Flywheel	<b>422</b>	<b>222502</b>	Clamp-Oil Filler Tube	<b>534C</b>	<b>93881</b>	Screw-Air Cleaner
<b>333</b>	<b>298968</b>	Armature Assembly	<b>423</b>	<b>93410</b>	Screw-Sem	<b>535</b>	<b>270528</b>	Element-Air Cleaner
<b>334</b>	<b>93381</b>	Screw-Armature Mounting Sem	<b>445</b>	<b>393406</b>	Cartridge-Air Cleaner	<b>536</b>	<b>390379</b>	Cleaner Assy.-Air Cleaner
<b>337</b>	<b>298809</b>	Plug-Spark (1-1/2" high-37-42 M. M.)	<b>455</b>	<b>222561</b>	Cup-Screen Mounting		<b>Note:</b>	<b>391399</b> Cleaner Assembly-Air Cleaner <b>Uses:</b> <b>280111</b> Support-Air Cleaner Element (Plastic) Used on type Nos. 5515, 5520, 5525, 5526, 5527, 5625, 5626, 5628, 5629, 5630, 5631, 5632, 5633, 5634, 5635, 5636, 5637.
			<b>468</b>	<b>222562</b>	Screen-Flush Rotating	<b>536A</b>	<b>393481</b>	Cleaner Assy.-Air
			<b>474</b>	<b>393474</b>	Stator-Alternator (Dual Circuit)	<b>537</b>	<b>270539</b>	Gasket-Air Cleaner
				<b>Note:</b>	<b>393295</b> Stator-Alternator (10 Amp.)	<b>549</b>	<b>270978</b>	Washer-Air Cleaner

REF. NO.	PART NO.	DESCRIPTION	REF. NO.	PART NO.	DESCRIPTION	REF. NO.	PART NO.	DESCRIPTION
552	231055	Bushing—Governor Crank (1/4" I. D.)	670	22963	Spacer—Fuel Tank (4 used on Engines with no Electric Starter)	826	393110	Wire—Panel (Starter Switch to Ground Wire Terminal)
561	92278	Nut—Hex. (1/4-20)				836	93559	Screw—Sem
562	92613	Bolt—Governor Lever	676	222292	Deflector—Exhaust	840	392918	Panel Kit—Starter (Toggle Switch)
575	299139	Switch—Starting		Note: 222417	Deflector—Exhaust		Note: 392725	Panel Kit—Starter (Key Switch)
578	392683	Wire—Starter Switch			Used on type Nos. 5632, 5636.	841	393514	Clamp—Regulator
578A	393109	Wire—Switch (Starter Switch to Alternator)	683	93804	Screw	842	270920	Seal—Filler Cap
592	231082	Nut—Hex., 10-24	687	390690	Slide—Friction Control	844	261269	Spring—Diode
601	93053	Clamp—Fuel Pipe	688	221766	Cap—Friction Spring	847	392066	Filler Group—Oil
605	222934	Bracket—Regulator	689	260847	Spring—Friction	851	221798	Terminal—Ignition Cable
608	390391	Starter Assy.—Rewind	690	92484	Screw—Machine, Fil. Hd.—10-32 x 1/2"	854	392884	Bracket Assembly—Stop Switch
	Note: 390463	Starter Assy.—Rewind	725	221885	Shield—Heat	856	393304	Holder—Fuse
		Used on type No. 1642.		Note: 222376	Shield—Heat	869	211661	Seat—Intake Valve (Standard)
613	93704	Screw—Muffler Mtg.			Used on type No. 5629.	870	211661	Seat—Exhaust Valve (Standard)
613A	93549	Screw—Muffler Mtg.	725A	222175	Shield—Fuel Pipe, Heat	871	230655	Guide—Exhaust Valve
	Note: 93642	Screw—Muffler Mounting	726	392134	Gear—Ring (Aluminum) (Includes Mounting Parts)	872	222897	Cover—Air Cleaner
		Used on type Nos. 1638, 1640, 5633, 5635.	727	390233	Cover and Shield—Starter	873	271171	Gasket—Air Cleaner Cover
614	93306	Cotter—Hair Pin	728	93523	Screw—Sem	874	222898	Plate—Air Cleaner Cartridge
615	93307	Retainer—E-Ring	729	221907	Clip—Wire	875	393424	Body—Air Cleaner
618	261116	Spring—Choke Return	763	391604	Electric Starter Kit 12 Volt (Gear Drive)	877	393456	Diode and Connector Assy. (Dual Circuit)
621	297472	Switch—Stop	795	392697	Switch—Ignition (Toggle)	877A	393814	Diode and Connector Assy. (D. C.)
634	270382	Washer—Choke Shaft		Uses: 93888	Nut—Hex.	878	393362	Alternator Harness Assy. (Dual Circuit)
635	66538	Elbow—Spark Plug		Note: 392833	Switch—Ignition (Key)	878A	393422	Alternator Harness Assy.
643	222149	Cup—Air Cleaner	814	390867	Wire Assembly—7 Amp. Alternator	887	391529	Stator Assembly—Alternator (D. C.)
645	23513	Bushing—Plunger						
655	222598	Anchor—Spring						
657	93496	Screw—Sem						
662	222027	Bracket—Carburetor						
663	93572	Screw						
664	93415	Screw—Sem 1/4-20 x 3/4" long						
665	296768	Oil Minder						



**ORIGINAL**

**BRIGGS & STRATTON**

**SERVICE  
PARTS**

®