

170700 to 170799

Illustrated Parts List

Model Series

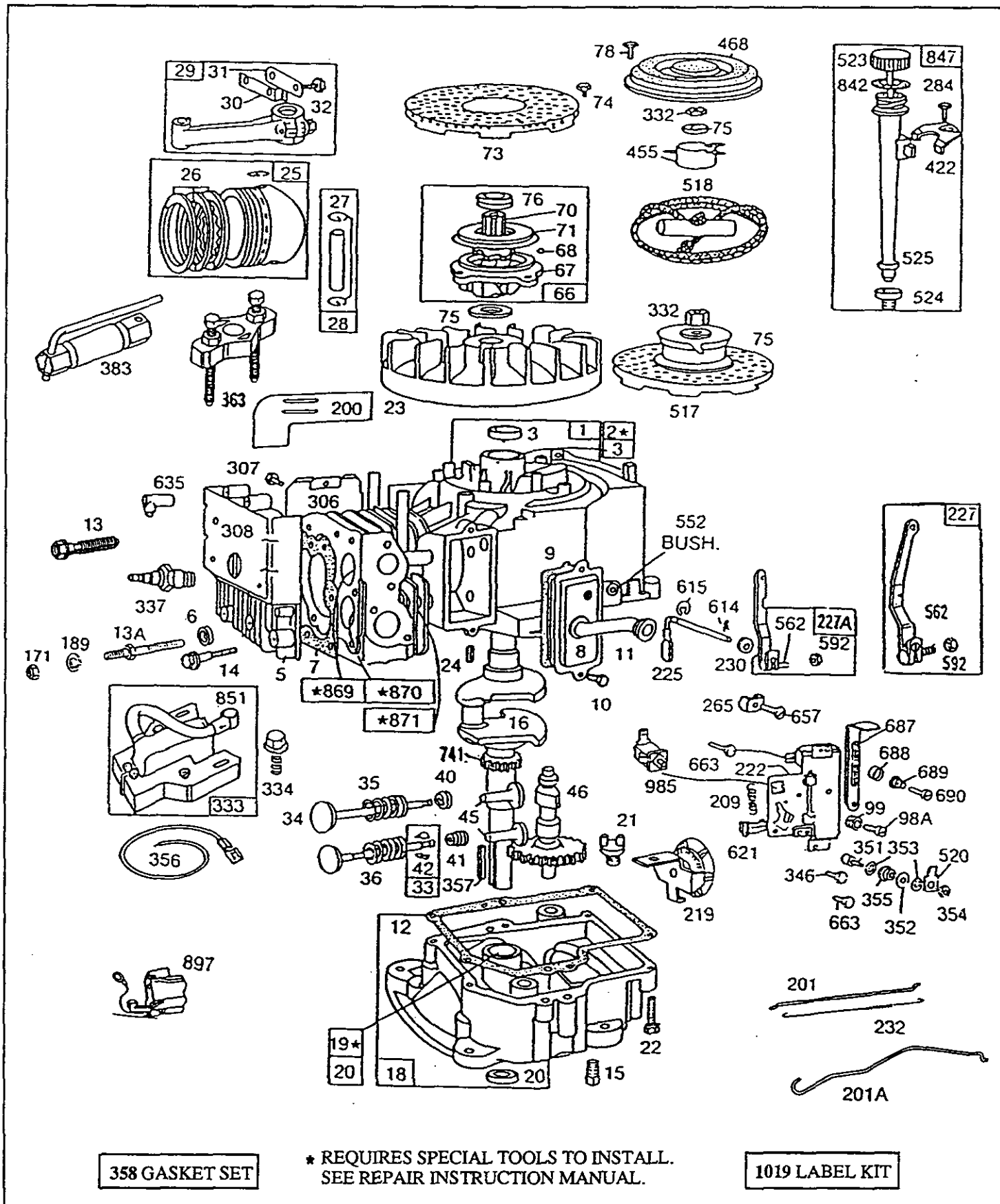
170700 to 170799

TYPE NUMBERS
2010 through 2040
2111 through 2143
4017
5725 through 5727
6000, 6011, 6012,
6013.

TO FIND
THE CORRECT NUMBER OF THE PART YOU NEED:
FOLLOW THE INSTRUCTIONS BELOW

- A. Refer to Engine Model, Type and Code Number that is stamped on the blower housing of engine. Engine type numbers such as 0123 01 are listed only as 0123 in most instances. The two digits (01 or 02, etc.) to the right of the space may be required for more accurate parts identification in some instances. Select the Illustrated Parts List covering the correct Model Series and Type Number.
- B. Refer to the Illustrations and compare the original part with Illustration. The number next to the illustration is the Reference Number. Assemblies include all parts shown in frames. All parts shown in assembly frames having individual reference numbers can be purchased separately.
- C. After the Reference Number has been identified, refer to the Numerical text, where Reference and Primary Part Number are listed. **THE PRIMARY PART IS USED ON ALL TYPE NUMBERS EXCEPT THOSE TYPE NUMBERS UNDER "NOTE."**
- D. If a "Note" appears below the Primary Part Number, it means that this part differs from the Primary Part for certain types. If your Type number is listed under "Note," order the part referred to at the "Note."
- E. If your Engine Type Number does not appear after any part number listed under "Note," use the Primary Part Number.
- F. For Engine Type Numbers not covered by this book, check other Parts Lists having the same engine model or contact your source of supply.

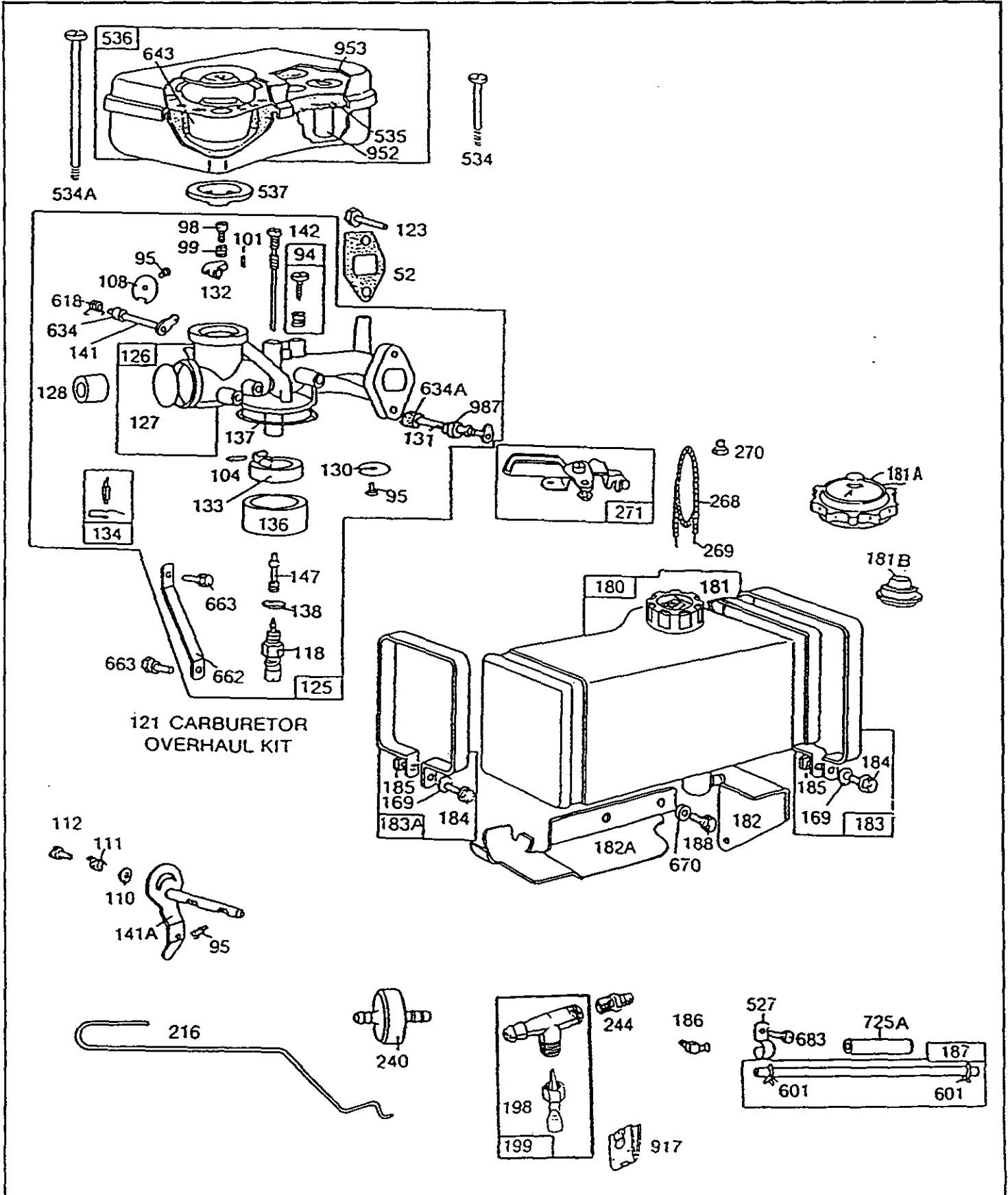
170700 to 170799



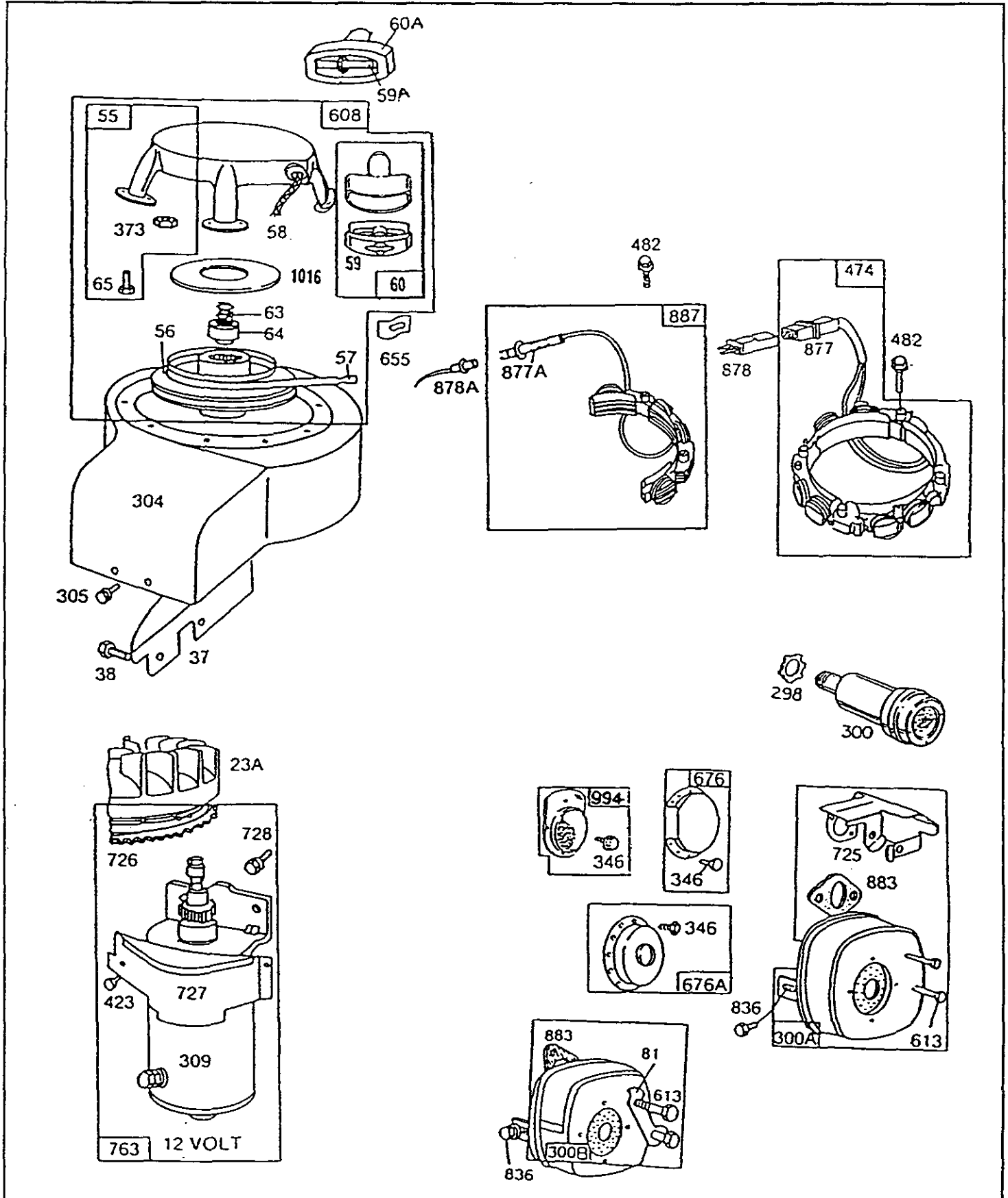
358 GASKET SET

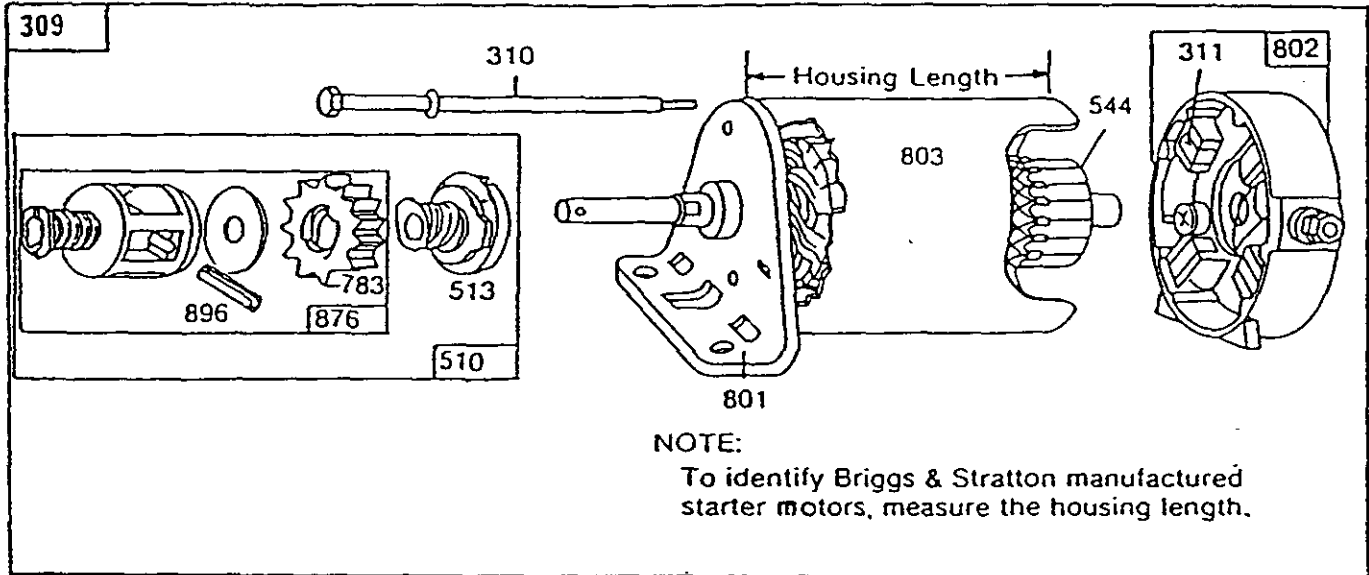
* REQUIRES SPECIAL TOOLS TO INSTALL.
SEE REPAIR INSTRUCTION MANUAL.

1019 LABEL KIT



170700 to 170799





Reference No.		309	310	311	510	544	801	802	803
Starter Motor Mfr.		Motor & Drive Ass'y.	Thru Boly Assembly	Brush Assembly	Drive Assembly	Armature Assembly	End Cap Ass'y. Drive	End Cap Ass'y. Commutator	Housing Assembly
Briggs & Stratton	Housing Length								
12V	3-21/32"	394805	94003	395538	490421**	390837	394856	395537*	398159
United Technologies	Housing Length								
12V	3-15/32"	394805	-	492020	490421**	-	394856	492021*	-

*Includes Brush Set

**Includes #398003 Clutch Assembly (Ref. No. 513)
 #280104 Gear (Ref. No. 783)
 #490467 Retainer Kit (Ref. No. 876)
 # 94192(Black) or 94288(Yellow)Roll Pin (Ref. No. 896)

170700 to 170799

REF. NO.	PART NO.	DESCRIPTION	REF. NO.	PART NO.	DESCRIPTION	REF. NO.	PART NO.	DESCRIPTION		
59	490653	Insert-Starter Handle	121	394698	Carburetor Overhaul Kit	181B	392300	Cap-Fuel Tank		
59A	230228	Pin-Starter Grip	123	93357	Screw-Carburetor Mounting			(1-9/16" I.D.) (Metal) (Used Before Code Date 85120100).		
60	490652	Handle-Rewind Starter	125	390811	Carburetor Assembly (Choke-A-Matic)	182	222813	Bracket-Fuel Tank, R.H.		
60A	66728	Grip-Starter Rope			Note: 390411 Carb. Assy. (Manual Choke) Used on Type Nos. 2010, 2016, 2019, 2111, 2112, 2133, 2138, 2139, 6000.	182A	222112	Bracket-Fuel Tank, L.H.		
63	260414	Spring-Ratchet				183	390406	Strap Assy.-Fuel Tank		
64	230543	Adapter-Ratchet				183A	390405	Strap Assy.-Fuel Tank		
65	93105	Screw-Rewind Starter Mounting	126	299851	Body Assy.-Lower Carburetor	184	93803	Screw-Hex. Hd.		
66	399671	Clutch Assembly-Rewind Starter	127	221997	Plug-Welch	185	90970	Nut-Square		
67	394897	Housing-Rewind Starter Clutch	128	211682	Venturi-Carburetor	186	67218	Connector-Fuel Pipe		
68	63770	Ball-Clutch	128	211682	Venturi-Carburetor	187	296004	Pipe-Fuel (Flexible) (23" Long)		
70	298799	Ratchet-Rewind Starter Clutch	130	221986	Valve-Throttle			Note: 393815 Pipe-Fuel (Flexible) (11" Long)		
71	394506	Washer-Clutch Retainer	131	491006	Shaft and Lever-Throttle	188	93535	Screw-Sem		
73	221796	Screen-Rewind Starter	132	211712	Stop-Throttle	189	94315	Lock-Washer		
74	93758	Screw-Sem	133	299707	Float-Carburetor	198	293934	Valve-Fuel Shut-Off		
75	224061	Washer-Spring	134	•394681	Valve-Fuel Inlet	199	399949	Connector-Fuel Pipe		
76	68238	Washer-Ratchet Sealing			Note: Order 394683 For Fuel Pump Applications			Note: 295896 Connector-Fuel Pipe Used on Type Nos. 2016, 2017, 2137, 2138, 2140.		
78	93805	Screw-Sem	136	221995	Bowl-Float	200	221760	Guide-Air		
81	222263	Lock-Screw	137	•270511	Gasket-Float Bowl	201	261611	Link-Governor (Used After Code Date 82121010).		
94	•292681	Valve Assembly-Carburetor Idle	138	•222014	Washer-Float Bowl			Note: 260971 Link-Governor (Used Before Code Date 82120910).		
95	93499	Screw-Throttle and Choke Valve Mtg. Sem	141	390684	Shaft and Lever Choke	201A	262431	Link-Governor (Used on Type Nos. Above 5999).		
98	91920	Screw-Machine, Fill. Hd. (5/8" Long)	141A	299647	Shaft and Lever-Manual Choke			209	261306	Spring-Governor
98A	90200	Screw-Machine, Fill. Hd. (1/2" Long)	142	•299740	Nozzle-Carburetor			Note: 260871 Spring-Gov. (Used on Type Nos. 2040, 2133, 2134, 2135, 2142, 2143, 5727, 6011, 6012, 6013.)		
99	26157	Spring-Throttle Adjustment	147	•231323	Screw-Nozzle (Used After Code Date 83051900).			261129 Spring-Governor (Used on Type Nos. 2138, 2139).		
101	93043	Pin-Throttle Stop			Note: 230932 Screw-Nozzle (Used Before Code Date 83052000).					
104	•230896	Pin-Float Hinge	169	90832	Washer-Lock					
108	222010	Valve-Choke	171	94314	Nut Hex. Hd.					
110	220899	Washer-Choke Lever	180	390225	Tank Assy.-Fuel (3 Quart) See Ref. 304 For Fuel Tank on Blower Housing.					
111	26229	Spring-Choke Lever								
112	23270	Screw-Choke Lever	181	493988	Cap-Fuel Tank					
118	•396568	Valve-Needle (Used After Code Date 83051900). Includes: 22235 Washer 26336 Spring 65978 O-Ring 230590 Nut-Hex. Note: 396795 Valve-Needle (Used Before Code Date 83052000).	181A	397975	Cap-Fuel Tank (2-1/4" I.D.) (Non-Metal) (Used After Code Date 85113100).					

* Included in Gasket Set- Part No. 299577.

• Included in Carburetor Overhaul Kit- Part No. 394698.

170700 to 170799

REF. NO.	PART NO.	DESCRIPTION	REF. NO.	PART NO.	DESCRIPTION	REF. NO.	PART NO.	DESCRIPTION
216	261612	Link-Choke (Used After Code Date 82121010). Note: 261117 Link-Choke (Used Before Code Date 82120910).	268	65616	Casing-Control Wire (72" Long) Note: If Longer Casing is Required, Specify Length in Inches; if Shorter Casing is Needed, Order No. 65616 and Cut to Required Length.	305	93158	Screw-Blower Housing Mtg. Sem
219	491397	Oil Slinger, Governor Gear and Bracket Assembly	269	26633	Wire-Control (78" Long) Note: If Longer Wire is Required, Specify Length in Inches; if Shorter Wire is Needed, Order No. 26633 and Cut to Required Length.	306	222830	Shield-Cylinder
222	491594	Plate-Governor Control (Used After Code Date 82121010). 396349 Plate-Governor Control (Not Illustrated) (Used Before Code Date 82120910). Note: 491593 Plate-Governor Control (Used After Code Date 82121010). Used on Type Nos. 2010, 2016, 2019, 2111, 2112, 2133, 2138, 2139.	270	63426	Locknut-Control Wire Casing	307	93949	Screw-Cylinder Shield Mtg. Sem
225	231058	Crank-Governor (1/4" Dia.)	271	290568	Lever Assy.-Control	308	222636	Cover-Cylinder Head Motor-Starting (12 Volt) See Chart on Illustrated Pages for Starting Motors Replacement Parts.
227	490927	Lever Assy.-Governor Used on Type Nos. Above 4000.	284	94419	Screw-Clamp Mtg.	309		
227A	391733	Lever Assy.-Governor For 1/4" Dia. Crank Used on Type Nos. Below 4000.	298	261409	Locknut-Muffler	332	92284	Nut-Flywheel
230	222450	Washer-Governor Lever (1/4" I.D.)	300	393010	Muffler-Exhaust (Round Lo-Tone)	333	398811	Armature-Magneto
232	261911	Spring-Gov. Link (Used After Code Date 82121010). Note: 260584 Spring-Gov. Link (Used Before Code Date 82120910).	300A	398507	Muffler-Exhaust	334	93381	Screw-Armature Mounting Sem
240	298090	Filter-Fuel (In Fuel Line) Note: 394358 Filter-Fuel (For Fuel Pump Applications.)	300B	391313	Muffler-Exhaust	337	298809	Plug-Spark (1-1/2" High, 38 mm.) Note: 293918 Plug-Spark (1-1/2" Resistor Type) 492167 Plug-Spark (1-7/8" High)
244	230318	Connector-Fuel Line	304	491596	Housing-Blower Note: 299861 Housing-Blower Used on Type Nos. 2010, 2019. 491407 Housing-Blower Used on Type Nos. 6000, 6012. 491408 Housing-Blower Used on Type Nos. 5725, 5726, 5727, 6011, 6013. 491592 Housing-Blower Used on Engines With Electric Starters (Ref. No. 309). 491595 Housing-Blower (With 2 Qt. Fuel Tank) Used on Type Nos. 2016, 2017, 2137, 2138, 2140.	346	93705	Screw-Hex. Head
265	221535	Clamp-Casing				351	93735	Screw-Terminal Note: 91920 Screw-Fill. Hd. Used on Type Nos. 5725, 5726, 5727.
						352	66068	Washer-Insulating
						353	92791	LockWasher-Shake-proof
						354	90576	Nut-Hex. (2)
						355	66554	Collar-Insulating
						356	398808	Wire-Ground
						357	91540	Key-Pulley
						358	299577	Gasket Set
						363	19165	Puller-Flywheel
						373	92987	Nut-Hex.
						383	89838	Wrench-Spark Plug
						422	223394	Clamp-Oil Filler Tube
						423	94625	Screw-Sem
						455	222561	Cup-Screen Mounting
						468	222562	Screen-Flush Rotating
						474	393474	Stator-Alternator (Dual Circuit)
						482	93621	Screw-Stator Mtg.
						517	295423	Pulley-Rope Starter (With Screen)
						518	69932	Rope-Starter
						520	93722	Terminal-Spade
						523	391840	Cap and Dipstick-Oil Filler

* Included in Gasket Set- Part No. 299577.

• Included in Carburetor Overhaul Kit- Part No. 394698.

170700 to 170799

REF. NO.	PART NO.	DESCRIPTION	REF. NO.	PART NO.	DESCRIPTION	REF. NO.	PART NO.	DESCRIPTION			
524	68838	Seal-Filler Tube		Note: 271013	Washer-Throttle Shaft	836	93559	Screw-Sem			
525	280133	Tube-Oil Filler			(Used on Engines Without Lip Seal-Ref. 987).	842	270920	Seal-Filler Cap			
527	221428	Clamp (2)		635	66538	Elbow-Spark Plug	847	392066	Filler Group-Oil		
534	93323	Screw-Air Cleaner		643	222149	Cup-Air Cleaner	851	221798	Terminal-Ignition Cable		
534A	93622	Screw-Air Cleaner		655	222598	Anchor-Spring	869	211661	Seat-Intake Valve (Standard)		
535	270528	Element-Air Cleaner		657	93496	Screw-Sem	870	211661	Seat-Exhaust Valve (For Key Retained Gear)		
536	390379	Cleaner Assy.-Air		662	222027	Bracket-Carburetor	871	261961	Guide-Exhaust Valve		
	Note: 391399	Cleaner Assy.-Air		663	93572	Screw		Note: 231218	Guide-Intake Valve		
	Uses:			670	22963	Spacer-Fuel Tank (4 Used on Engines Without Electric Starter)			See Repair Manual		
	280111	Support-Air Cleaner Element (Plastic)		676	393757	Deflector-Exhaust	877	393456	Diode and Connector Assy. (Dual Circuit)		
		Used on Type Nos. 5725, 5726, 5727.		676A	395700	Deflector-Exhaust			877A	393814	Diode and Connector Assy.
537	270539	Gasket-Air Cleaner		683	93572	Screw			878	393362	Alternator Harness Assy. (Dual Circuit)
552	491986	Bushing-Governor Crank (1/4" I.D.)		687	390690	Slide-Friction Control			878A	393422	Harness Assy.
562	92613	Bolt-Governor Lever		688	221766	Cap-Friction Spring			883	270918	Gasket-Exhaust
592	231082	Nut-Hex.		689	260847	Spring-Friction			887	391529	Stator Assy.
601	93053	Clamp-Fuel Pipe		690	92484	Screw-Machine, Fil. Head			897	394970	Trigger Coil
608	390391	Starter Assy.-Rewind		725	223540	Shield-Muffler			917	223271	Valve Handle-Fuel Shut-Off
613	94042	Screw-Muffler Mtg.		725A	222175	Shield-Fuel Pipe, Heat			952	222495	Spacer-Air Cleaner
614	93306	Pin-Cotter		726	392134	Gear-Ring (Aluminum) (Includes Mtg. Parts)			953	222022	Screen-Air Cleaner
615	93307	Retainer-E-Ring		727	395405	Cover and Shield-Starter			985	398525	Insulator Assembly
618	261116	Spring-Choke Return		728	93523	Screw-Sem			987	398970	Seal-Throttle Shaft (Carburetor Body Must be Cast to Accept)
621	396847	Switch-Stop (Used After Code Date 85041400).		741	262479	Gear-Timing (For Key Retained Gear.)			994	399541	Arrester-Spark
	Note: 297472	Switch-Stop (Used Before Code Date 85041500).			Note: 261195	Gear-Timing (For Pin Retained Gear.)			1016	490817	Spacer
634	270382	Washer-Choke Shaft		763	394952	Electric Starter Kit (12 Volt Gear Drive)			1019	491182	Label Kit
634A	271853	Washer-Throttle Shaft (Used on Engines With Chrome Throttle Shaft)									

★ Included in Gasket Set-Part No. 299577.

● Included in Carburetor Overhaul Kit-Part No. 394698.



BRIGGS & STRATTON

®