

# Illustrated Parts List

## Model Series

### 171400 to 171499

TYPE NUMBERS  
0035 through 0131,  
0235, 0249, 0270,  
0300 through 0308,  
0435 through 0470,  
0500 through 0505,  
0520 through 0535,  
1035, 1049, 1070,  
1100, 1103, 1105,  
1111 through 1131,  
4001, 4035, 4049,  
4070, 4090, 4091.

**TO FIND**  
**THE CORRECT NUMBER OF THE PART YOU NEED:**  
**FOLLOW THE INSTRUCTIONS BELOW**

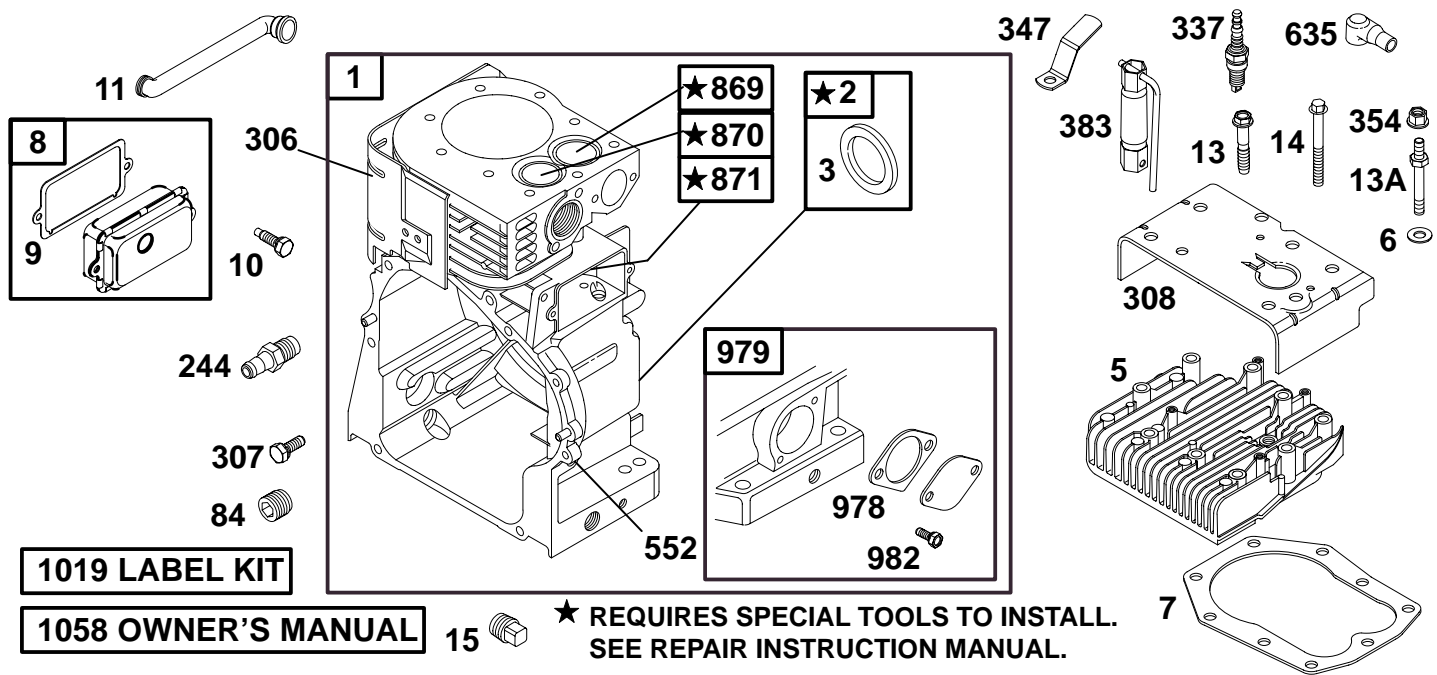
- A. Refer to Engine Model, Type and Code Number that is stamped on the blower housing of engine. Engine type numbers such as 0123 01 are listed only as 0123 in most instances. The two digits (01 or 02, etc.) to the right of the space may be required for more accurate parts identification in some instances. Select the Illustrated Parts List covering the correct Model Series and Type Number.
- B. Refer to the Illustrations and compare the original part with Illustration. The number next to the illustration is the Reference Number. Assemblies include all parts shown in frames. All parts shown in assembly frames having individual reference numbers can be purchased separately.
- C. After the Reference Number has been identified, refer to the Numerical text, where Reference and Primary Part Number are listed. **THE PRIMARY PART IS USED ON ALL TYPE NUMBERS EXCEPT THOSE TYPE NUMBERS UNDER "NOTE."**
- D. If a "Note" appears below the Primary Part Number, it means that this part differs from the Primary Part for certain types. If your Type number is listed under "Note," order the part referred to at the "Note."
- E. If your Engine Type Number does not appear after any part number listed under "Note," use the Primary Part Number.
- F. For Engine Type Numbers not covered by this book, check other Parts Lists having the same engine model or contact your source of supply.

PRINTED IN U.S.A.



COPYRIGHT by BRIGGS & STRATTON CORPORATION  
All rights reserved. No part of this material may be reproduced or transmitted, in any form or by any means, electronic or mechanical, including photocopying, recording or by any information storage and retrieval system, without permission in writing from Briggs & Stratton Corporation.

# 171400 to 171499



**1019 LABEL KIT**

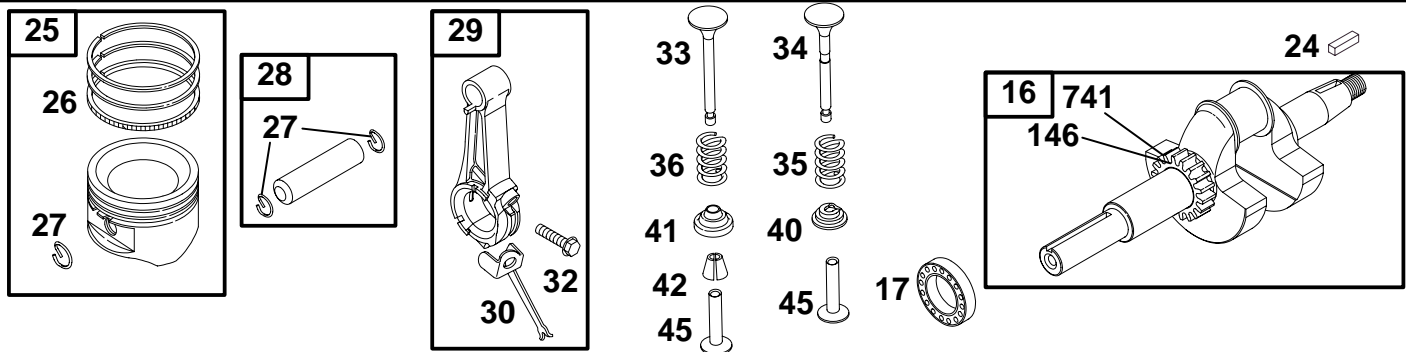
**1058 OWNER'S MANUAL**

★ **REQUIRES SPECIAL TOOLS TO INSTALL. SEE REPAIR INSTRUCTION MANUAL.**

REF. NO.	PART NO.	DESCRIPTION	REF. NO.	PART NO.	DESCRIPTION	REF. NO.	PART NO.	DESCRIPTION
1	399218	Cylinder Assembly —— <b>Note</b> —— 495656 Cylinder Assy. Used on Type No(s). 1035, 1049, 1070, 1100, 1103, 1105, 1111, 1112, 1121, 1123, 1124, 1125, 1131.			0131, 0306, 0520, 0521, 1121. 280716 Tube-Breather Used on Type No(s). 0525, 0532..			—— <b>Note</b> —— 492167 Plug-Spark (1 7/8" High) 298809 Plug-Spark (1 1/2" High) 347 225171 Spark Plug Stop Switch —— <b>Note</b> —— 298926 Spark Plug Stop Switch Used on Type No(s). 0035, 0047, 0049, 0070.
2	495657	Bushing	13	94565	Screw-Hex.	347	225171	Spark Plug Stop Switch
3	★294606	Seal-Oil —— <b>Note</b> —— ★391086 Seal-Oil Used on Type No(s). 1035, 1049, 1070, 1100, 1103, 1105, 1111, 1112, 1121, 1123, 1124, 1125, 1131.	13A	94926	Stud-Hex. (3 5/16" Long; # 4 Position) —— <b>Note</b> —— 94776 Stud-Hex. Drive (4" Long; # 1 Position)			354 94726 Nut-Hex. 383 89838 Wrench-Spark Plug 552 491986 Bushing-Governor Crank 635 66538 Boot-Spark Plug 869 211661 Seat-Valve (Intake) 870 262924 Seat-Valve (Exhaust) 871 261961 Bushing-Guide (Exhaust Valve) —— <b>Note</b> —— 231218 Bushing-Guide (Intake Valve)
5	214014	Head-Cylinder	14	94622	Screw-Hex.	635	66538	Boot-Spark Plug
6	22963	Washer	15	94239	Plug-Oil Drain —— <b>Note</b> —— 92738 Plug-Oil Drain Magnetic	869	211661	Seat-Valve (Intake)
7	∅★272163	Gasket-Cylinder Head	84	94497	Plug Impulse Pump Hole	870	262924	Seat-Valve (Exhaust)
8	495724	Breather Assembly —— <b>Note</b> —— 495731 Breather Assy. Used on Type No(s). 0131, 0306, 0520, 0521, 1121.	244	230318	Connector-Hose	871	261961	Bushing-Guide (Exhaust Valve) —— <b>Note</b> —— 231218 Bushing-Guide (Intake Valve)
9	∅★27803	Gasket-Breather	306	224898	Shield-Cylinder —— <b>Note</b> —— 496797 Shield-Cyl. Used on Type No(s). 0449, 0450, 0503, 0505, 0525, 0529, 0530, 0531, 0532, 0533, 0534, 0535, 4049.	978	★271736	Gasket
10	94621	Screw-Hex.	307	94930	Screw-Hex.	979	494807	Cover-Oil Gard®
11	280267	Tube-Breather —— <b>Note</b> —— 67068 Tube-Breather Used on Type No(s).	308	224896	Cover-Cylinder	982	94139	Screw-Hex.
			337	802592	Plug-Spark (Resistor Type)	1019	491183	Label Kit
						1058	270367	Owner's Manual

★ Included in Gasket Set-Part No. 299577.  
● Included in Carburetor Kit-Part No. 398235.

∅ Included in Valve Overhaul Gasket Set-Part No. 498533.

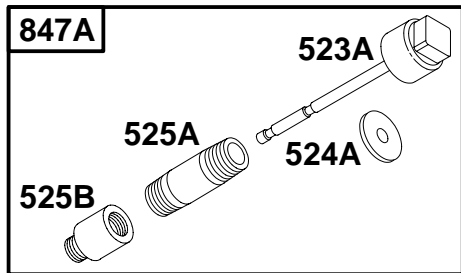
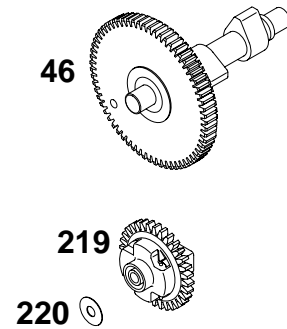
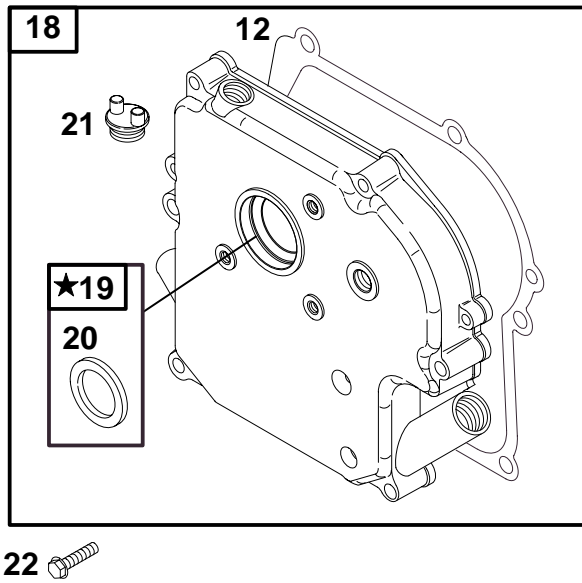
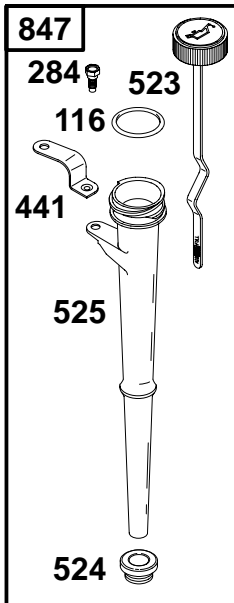


REF. NO.	PART NO.	DESCRIPTION	REF. NO.	PART NO.	DESCRIPTION	REF. NO.	PART NO.	DESCRIPTION																																													
16	495733	Crankshaft <b>Note</b> <b>495723</b> Crankshaft Used on Type No(s). 1049, 1103. <b>495775</b> Crankshaft Used on Type No(s). 1111, 1112, 1124, 1125. <b>495791</b> Crankshaft Used on Type No(s). 1070, 1105. <b>399513</b> Crankshaft Used on Type No(s). 0035, 0117, 0118, 0123, 0130, 0131, 0235, 0300,0301, 0304, 0306, 0308, 0435, 0436, 0500, 0501, 0504, 0520, 0521, 0522, 0524, 0527, 0533, 4035, 4090. <b>399515</b> Crankshaft Used on Type No(s). 0047, 0119, 0302, 0502, 0523, 0526, 0528, <b>492468</b> Crankshaft Used on Type No(s). 0049, 9121, 0125, 0249, 0303, 0305, 0449, 0450, 0503, 0505, 0531, 4049. <b>492478</b> Crankshaft Used on Type No(s). 0529, 0530, 0534, 0535. <b>493291</b> Crankshaft Used on Type No(s). 0070, 0270, 0470, 0525, 0532, 4070.	25	393868	Piston Assembly (Standard) <b>Note</b> <b>393869</b> Piston Assy. (.010" O.S.) <b>393879</b> Piston Assy. (.020" O.S.) <b>393880</b> Piston Assy. (.030" O.S.)	26	393881	Ring Set (Standard) <b>Note</b> <b>299743</b> Ring Set Chrome Standard <b>393882</b> Ring Set (.010" O.S.) <b>393883</b> Ring Set (.020" O.S.) <b>393884</b> Ring Set (.030" O.S.)	27	263181	Lock-Piston Pin (Used After Code Date 96102700). <b>Note</b> <b>68546</b> Lock-Piston Pin (Used Before Code Date 96102800).	28	499302	Pin-Piston (Standard) (Used After Code Date 96102700). <b>Note</b> <b>295840</b> Pin-Piston (Standard) (Used Before Code Date 96102800). <b>499303</b> Pin-Piston (.005" O.S.) (Used After Code Date 96102700). <b>295841</b> Pin-Piston (.005" O.S.) (Used Before Code Date 96102800).	29	398577	Rod-Connecting (Standard) <b>398578</b> Rod- Connecting (.020" Undersize)	30	223568	Dipper-Conn. Rod	32	94670	Screw-Conn. Rod	33	390420	Valve-Exhaust <b>Note</b> <b>263017</b> Valve-Exhaust (Used After Code Date 95041600). Used on Type No(s). 1111, 1112, 1124, 1125. <b>390419</b> Valve-Exhaust (Used Before Code Date 95041700). Used on Type No(s). 0526, 0529, 0530, 0532, 0534, 0535, 1111, 1112, 1124, 1125.	34	261055	Valve-Intake	35	65906	Spring-Valve (Intake)	36	26828	Spring-Valve (Exhaust)	40	221596	Retainer-Valve Intake	41	292260	Retainer-Valve (Exhaust) <b>Note</b> <b>68293</b> Retainer- Valve (Exhaust) Used on Type No(s). 0526, 0529, 0530, 0532, 0534, 0535, 1111, 1112, 1124, 1125.	42	494553	Keeper-Valve	45	260933	Tappet-Valve	146	94388	Key-Timing	741	263025	Gear-Timing

★ Included in Gasket Set-Part No. 299577.  
 ● Included in Carburetor Kit-Part No. 398235.

⊘ Included in Valve Overhaul Gasket Set-Part No. 498533.

# 171400 to 171499

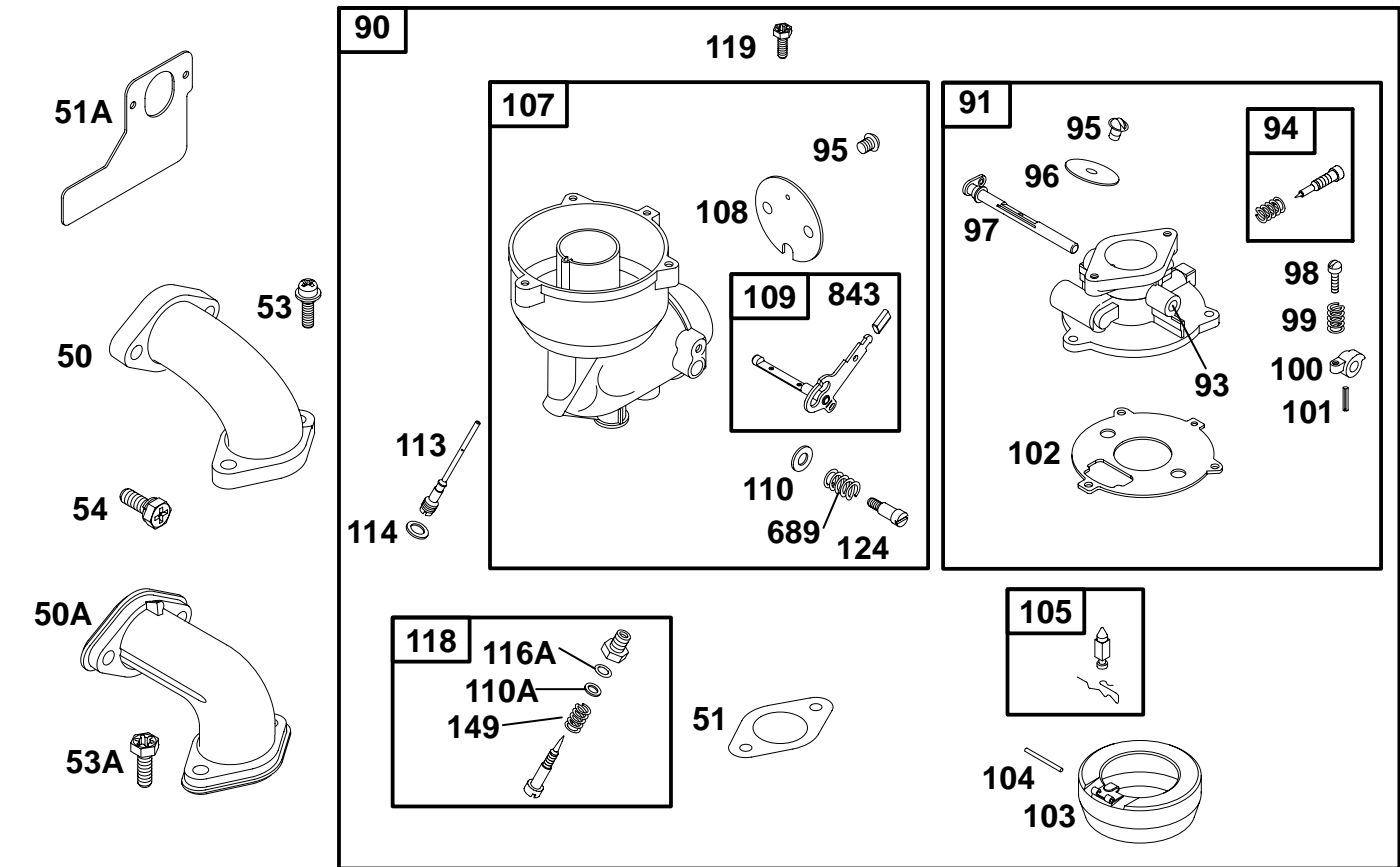


★ REQUIRES SPECIAL TOOLS TO INSTALL.  
SEE REPAIR INSTRUCTION MANUAL.

REF. NO.	PART NO.	DESCRIPTION	REF. NO.	PART NO.	DESCRIPTION	REF. NO.	PART NO.	DESCRIPTION
12	★271701	Gasket-Crankcase (.015" Thick, Std.) ———— <b>Note</b> ———— ★27876 Gasket-Crankcase (.005" Thick) ★27877 Gasket-Crankcase (.009" Thick)		496980	Cover-Crankcase Used on Type No(s). 0035, 0047, 0070, 0117, 0118, 0119, 0123, 0131, 0235, 0270, 0300, 0301, 0302, 0304, 0306, 0308, 0525, 0532, 0533, 1105.	219	494845	Gear-Governor (Used After Code Date 91060900). ———— <b>Note</b> ———— 391737 Gear-Governor (Used Before Code Date 91061000)
18	496981	Cover-Crankcase ———— <b>Note</b> ———— 496983 Cover-Crankcase Used on Type No(s). 0049, 0121, 0125, 0249, 0303, 0305, 0449, 0450, 0503, 0505, 0531, 1049, 1103, 4049.	19	295964	Bushing	220	221551	Washer-Thrust
			20	★391086	Seal-Oil	284	94984	Screw-Shoulder
			21	66768	Cap-Oil Fill	441	225218	Bracket-Oil Fill
			22	93585	Screw-Hex.	523	495225	Dipstick
			46	211689	Gear-Cam	523A	297357	Dipstick
			116	★270920	Seal-O-Ring	524	★281370	Seal-Fill Tube
						524A	65304	Gasket-Dipstick
						525	495347	Tube-Oil Fill
						525A	91258	Tube-Oil Fill
						525B	232053	Adapter-Oil Fill
						847	399901	Dipstick/Tube Assembly
						847A	493955	Dipstick/Tube Assembly.

★ Included in Gasket Set-Part No. 299577.  
● Included in Carburetor Kit-Part No. 398235.

⊘ Included in Valve Overhaul Gasket Set-Part No. 498533.



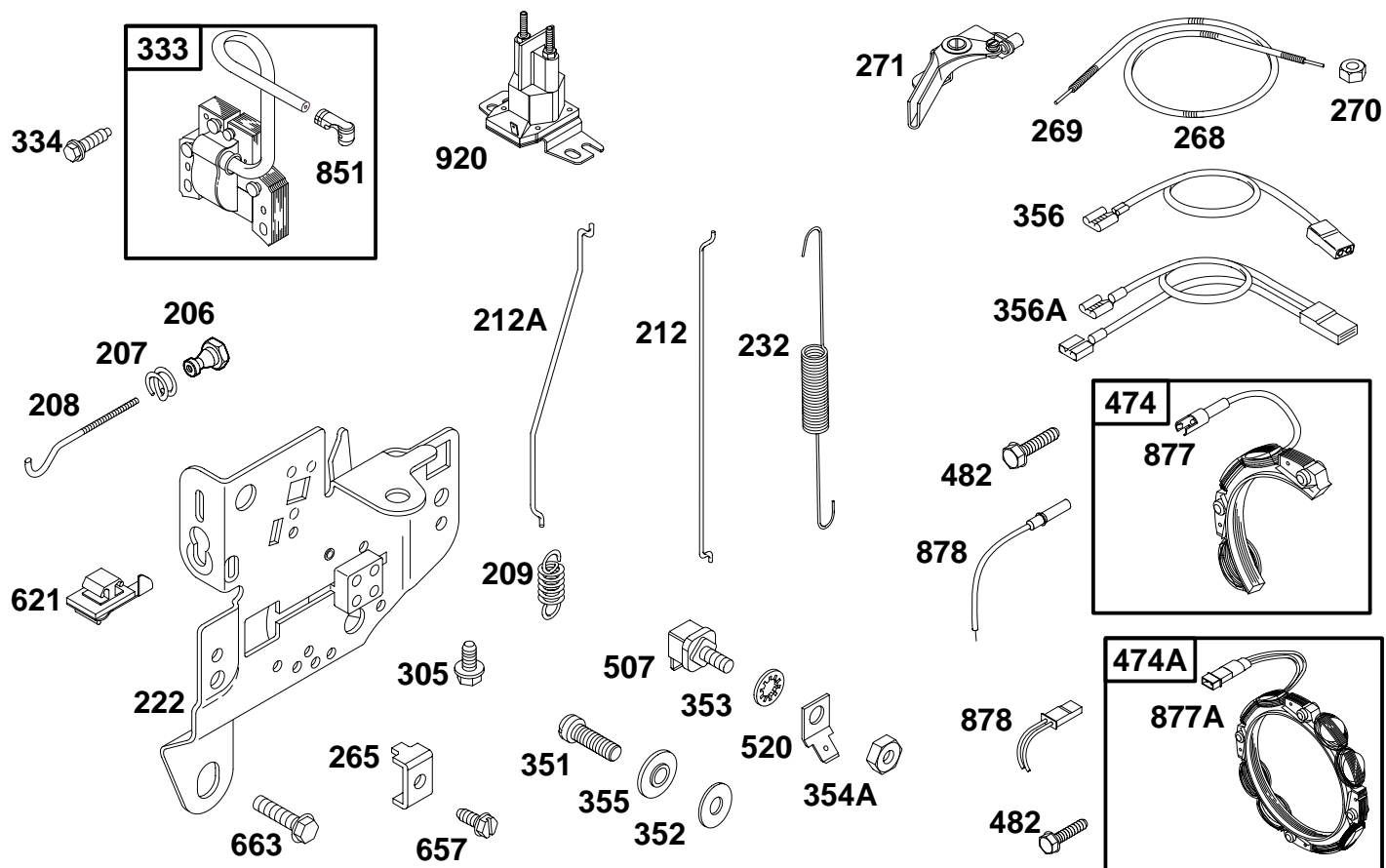
REF. NO.	PART NO.	DESCRIPTION	REF. NO.	PART NO.	DESCRIPTION	REF. NO.	PART NO.	DESCRIPTION
50	213099	Manifold-Intake	95	93499	Screw-Choke/Throttle	107	399442	Body Assembly-Lower
		<b>Note</b>	96	223370	Valve-Throttle	108	62872	Valve-Choke
		213169 Manifold-Intake	97	298826	Shaft-Throttle	109	391987	Shaft-Choke
		Used on Type No(s). 0525, 0532.	98	91920	Screw-Slotted	110	222712	Washer
50A	212478	Manifold-Intake	99	26157	Spring-Friction	110A	22235	Washer
51	★270684	Gasket-Intake	100	212904	Stop-Throttle	113	●398202	Nozzle-Carburetor
51A	∅★27828	Gasket-Intake	101	93043	Pin-Shaft	114	●68667	Gasket-Nozzle
53	94839	Screw-Shoulder	102	●27918	Gasket-Carburetor Body	116A	65978	Seal-O-Ring
53A	94913	Screw-Torx® Hex.	103	99333	Float-Carburetor	118	●99525	Valve-High Speed
54	93208	Screw-Phillips	104	●230896	Pin-Float Hinge	119	94152	Screw-Torx® Hex.
90	390323	Carburetor	105	●394681	Valve-Needle	124	23123	Screw-Shoulder
91	399443	Body Assembly-Upper			<b>Note</b>	149	●26336	Spring-Needle Valve
93	23108	Bushing-Throttle Shaft			394682 Valve-Needle	689	26155	Spring-Friction
94	●292681	Valve-Idle Adjustment			(Includes Brass Seat)	843	280149	Sleeve-Lever

★ Included in Gasket Set-Part No. 299577.

● Included in Carburetor Kit-Part No. 398235.

∅ Included in Valve Overhaul Gasket Set-Part No. 498533.

# 171400 to 171499

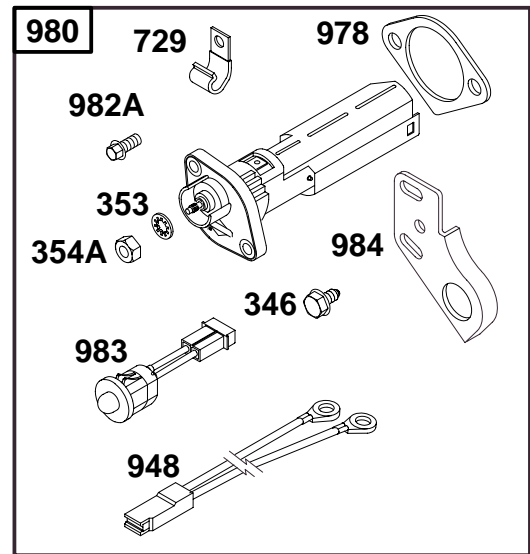
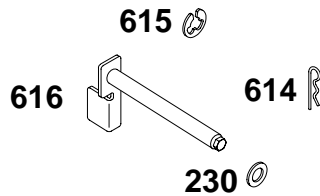
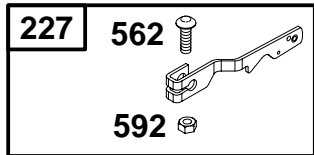
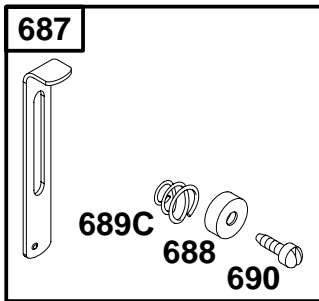


REF. NO.	PART NO.	DESCRIPTION	REF. NO.	PART NO.	DESCRIPTION	REF. NO.	PART NO.	DESCRIPTION
206	231266	Nut	222	399151	Bracket—Control	352	66068	Washer—Fiber
207	26855	Spring—Control Rod			<b>Note</b>	353	92791	Washer—Lock
208	261959	Rod—Governor Control			<b>490386</b> Bracket—Control	354A	90576	Nut—Hex.
209	260695	Spring—Governor			Used on Type No(s). 0525, 0532.	355	66554	Washer—Fiber
		<b>Note</b>	232	260478	Spring—Link	356	491927	Wire—Stop
		<b>261126</b> Spring—Governor	265	221535	Clamp—Casing	356A	491391	Wire—Stop
		Used on Type No(s). 0131, 0306, 0520, 0521, 0529, 0530, 0534, 0535, 1035, 1049, 1111, 1112, 1121, 1123, 1124, 1125, 1131, 4001, 4035, 4049, 4090, 4091.	268	65616	Casing—Wire (Cut to Required Length)	474	391529	Alternator
212	260872	Link—Throttle	269	26633	Wire—Control (Cut to Required Length)	474A	393474	Alternator
212A	262307	Link—Throttle	270	63426	Locknut—Casing	482	93621	Screw—Hex.
			271	290568	Lever—Control	507	398525	Insulator
			305	94786	Screw—Hex.	520	93722	Terminal
			333	398811	Armature—Magneto	621	396847	Switch—Stop
			334	94731	Screw—Hex.	657	93496	Screw—Slotted Hex.
			351	91920	Screw—Terminal	663	93343	Screw—Hex.
						851	493880	Terminal—Cable
						877	393814	Wire—Alternator
						877A	393362	Wire—Alternator
						878	393422	Harness—Alternator
						878A	393362	Harness—Alternator
						920	807829	Solenoid—Starter

★ Included in Gasket Set—Part No. 299577.

● Included in Carburetor Kit—Part No. 398235.

⊘ Included in Valve Overhaul Gasket Set—Part No. 498533.

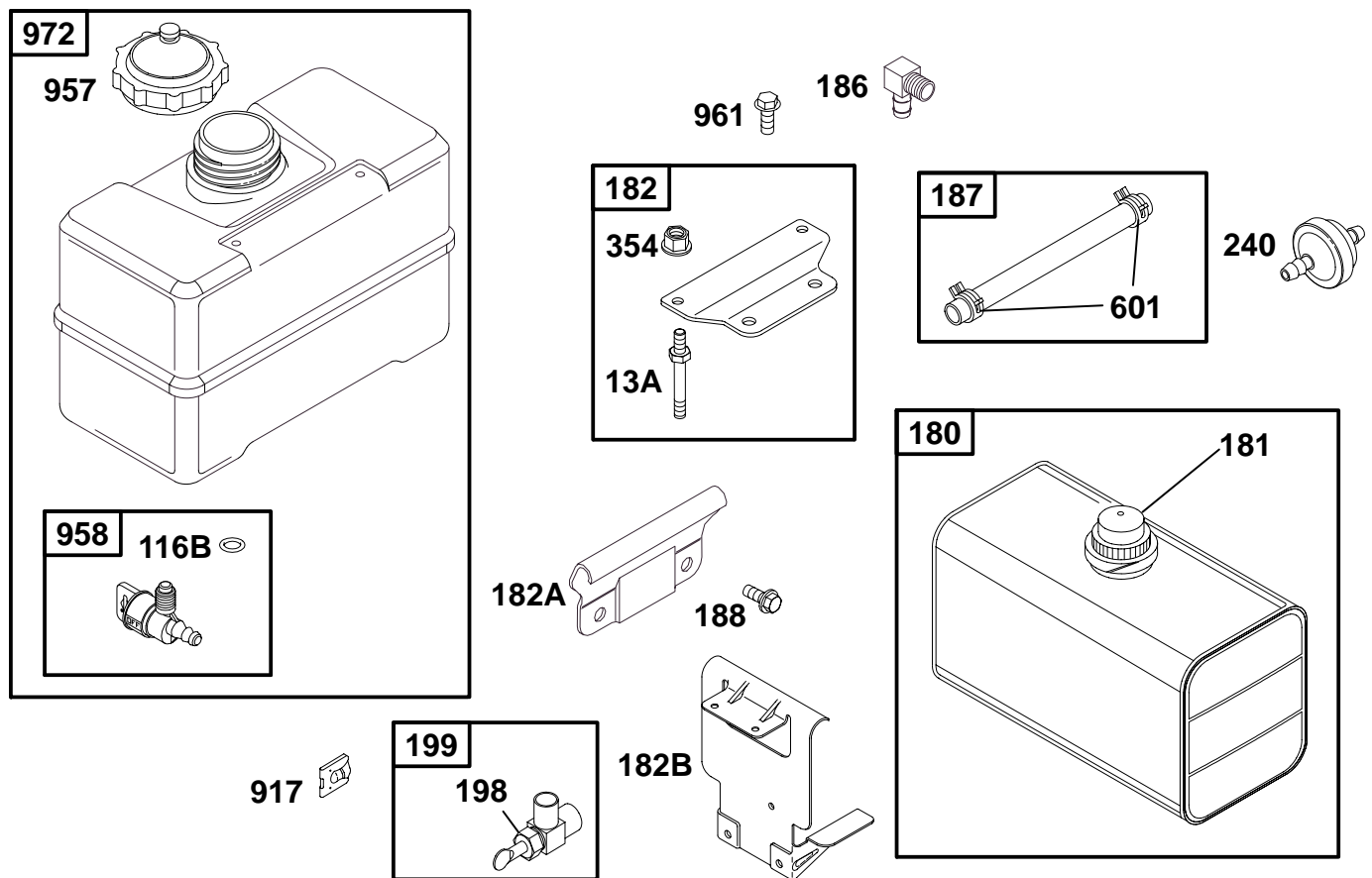


REF. NO.	PART NO.	DESCRIPTION	REF. NO.	PART NO.	DESCRIPTION	REF. NO.	PART NO.	DESCRIPTION
227	391965	Lever-Governor <b>Note</b> 396775 Lever-Governor Used on Type No(s). 0525, 0532.	354A	90576	Nut-Hex.	690	92484	Screw-Slotted
			562	92613	Bolt-Governor Lever	729	223528	Clip-Wire
			592	231082	Nut-Hex.	948	398661	Harness-Wiring
			614	93306	Pin-Cotter	978	★271736	Gasket
			615	93307	Retainer-E Ring	980	398182	Oil Gard®Kit
			616	495241	Crank-Governor	982A	94657	Screw-Hex.
			687	390701	Slide Control	983	398660	Light-Indicator
			688	221766	Cap-Friction	984	223773	Bracket-Stop Switch
			689	260847	Spring-Friction			

★ Included in Gasket Set-Part No. 299577.  
● Included in Carburetor Kit-Part No. 398235.

⊘ Included in Valve Overhaul Gasket Set-Part No. 498533.

# 171400 to 171499

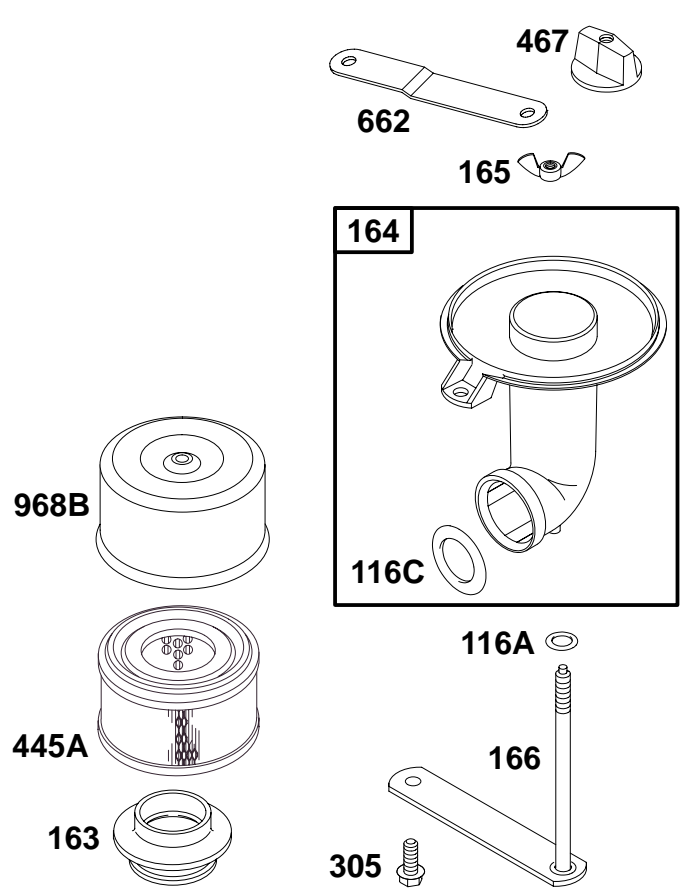
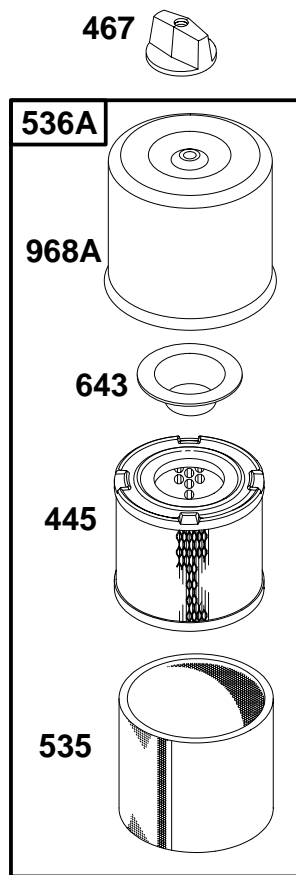
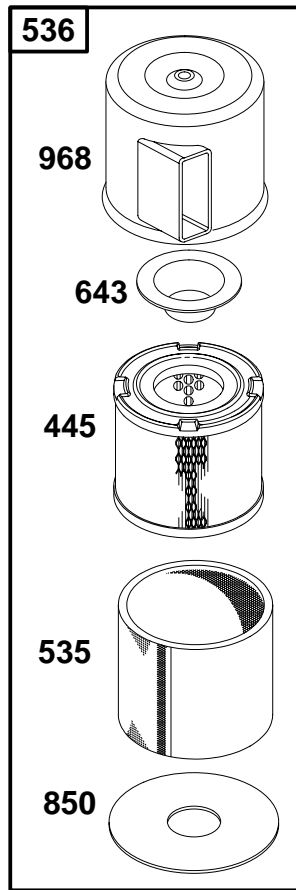


REF. NO.	PART NO.	DESCRIPTION	REF. NO.	PART NO.	DESCRIPTION	REF. NO.	PART NO.	DESCRIPTION	
13A	94926	Stud-Hex.	182B	222758	Bracket-Fuel Tank	199	297563	Valve-Shut Off	
116B	280203	Seal-O-Ring			<b>Note</b>	240	298090	Filter-Fuel	
180	290816	Tank-Fuel (4 Quart)			222829	Bracket-Fuel Tank	354	94726	Nut-Hex.
		<b>Note</b>			Used on Type No(s). 0035, 0049, 0070, 4090, 4091.	601	95162	Clamp-Hose	
		291488				917	223271	Handle-Shut-Off Valve	
		Tank-Fuel (6 Quart)				957	493988	Cap-Fuel Tank	
		Used on Type No(s). 0035, 0049, 0070, 4090, 4091.	186	67218	Connector-Hose	958	399517	Valve-Shut-Off	
181	392305	Cap-Fuel Tank	187	298049	Line-Fuel (Cut to Required Length)	961	94095	Screw-Hex.	
182	495664	Bracket-Fuel Tank	188	94627	Screw-Hex.	972	493337	Tank-Fuel	
182A	492990	Bracket-Fuel Tank	198	293934	Screw-Shut-Off				

★ Included in Gasket Set-Part No. 299577.  
 ● Included in Carburetor Kit-Part No. 398235.

⊘ Included in Valve Overhaul Gasket Set-Part No. 498533.



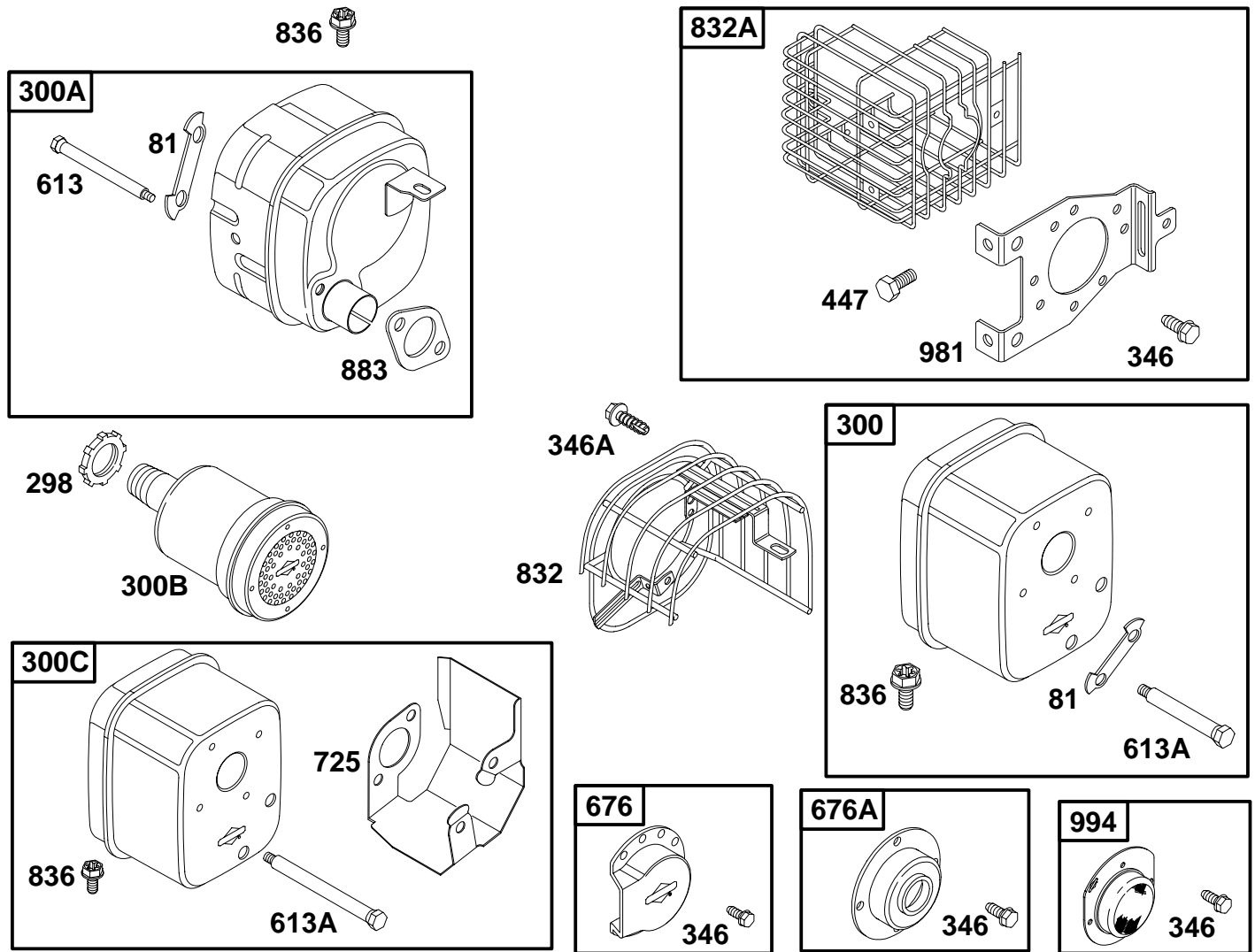


REF. NO.	PART NO.	DESCRIPTION	REF. NO.	PART NO.	DESCRIPTION	REF. NO.	PART NO.	DESCRIPTION
116A	65978	Seal-O-Ring	166	392105	Strap-Cleaner Mounting	445A	390492	Filter-Air
116C	271265	Seal-O-Ring			(9 9/16" Long)	467	493903	Nut-Air Cleaner
163	27907	Gasket-Air Cleaner			<b>Note</b>	535	271794	Filter-Air
164	398592	Pipe-Air Cleaner			295947 Strap-Cleaner Mounting	536	399810	Cleaner-Air
		<b>Note</b>			(7 3/4" Long)	536A	391063	Cleaner-Air
		298410 Pipe-Air Cleaner			Used on Type No(s).	643	222272	Retainer-Air Cleaner
		Used on Type No(s).			0131, 0306, 0520,	662	224484	Brace
		0521, 1121.			0521, 1121.	850	271793	Seal-Base
165	94289	Nut-Wing	305	94786	Screw-Hex.	968	496093	Cover-Air Cleaner
			445	393957	Filter-Air	968A	224885	Cover-Air Cleaner
						968B	497158	Cover-Air Cleaner

★ Included in Gasket Set-Part No. 299577.  
 ● Included in Carburetor Kit-Part No. 398235.

⊘ Included in Valve Overhaul Gasket Set-Part No. 498533.

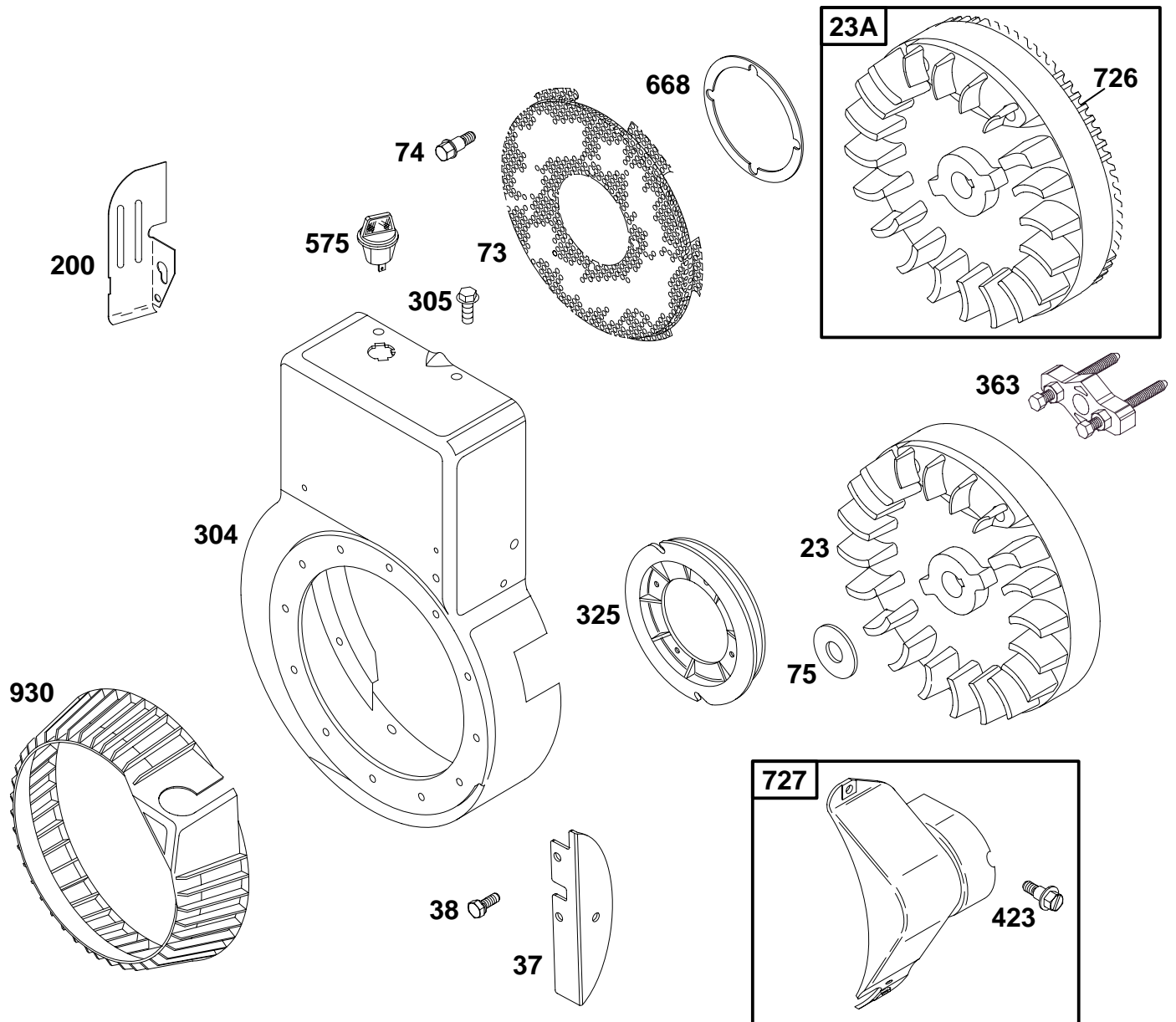
# 171400 to 171499



REF. NO.	PART NO.	DESCRIPTION	REF. NO.	PART NO.	DESCRIPTION	REF. NO.	PART NO.	DESCRIPTION
81	222263	Lock-Muffler Screw	346A	93606	Screw-Hex.	832	492337	Guard-Muffler
298	261409	Locknut-Muffler/Elbow	447	93801	Screw-Hex.	832A	494868	Guard-Muffler
300	494221	Muffler-Exhaust	613	94042	Screw-Shoulder	836	94905	Screw-Torx® Hex.
300A	391313	Muffler-Exhaust	613A	94054	Screw-Shoulder	883	Ø*272309	Gasket-Exhaust
300B	393010	Muffler-Exhaust	676	393757	Deflector-Muffler	981	223373	Bracket-Muffler
300C	494222	Muffler-Exhaust	676A	395700	Deflector-Muffler	994	399541	Arrester-Spark
346	94896	Screw-Hex.	725	223645	Shield-Heat			

★ Included in Gasket Set-Part No. 299577.  
 ● Included in Carburetor Kit-Part No. 398235.

⊘ Included in Valve Overhaul Gasket Set-Part No. 498533.

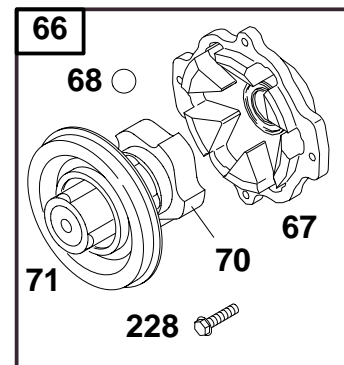
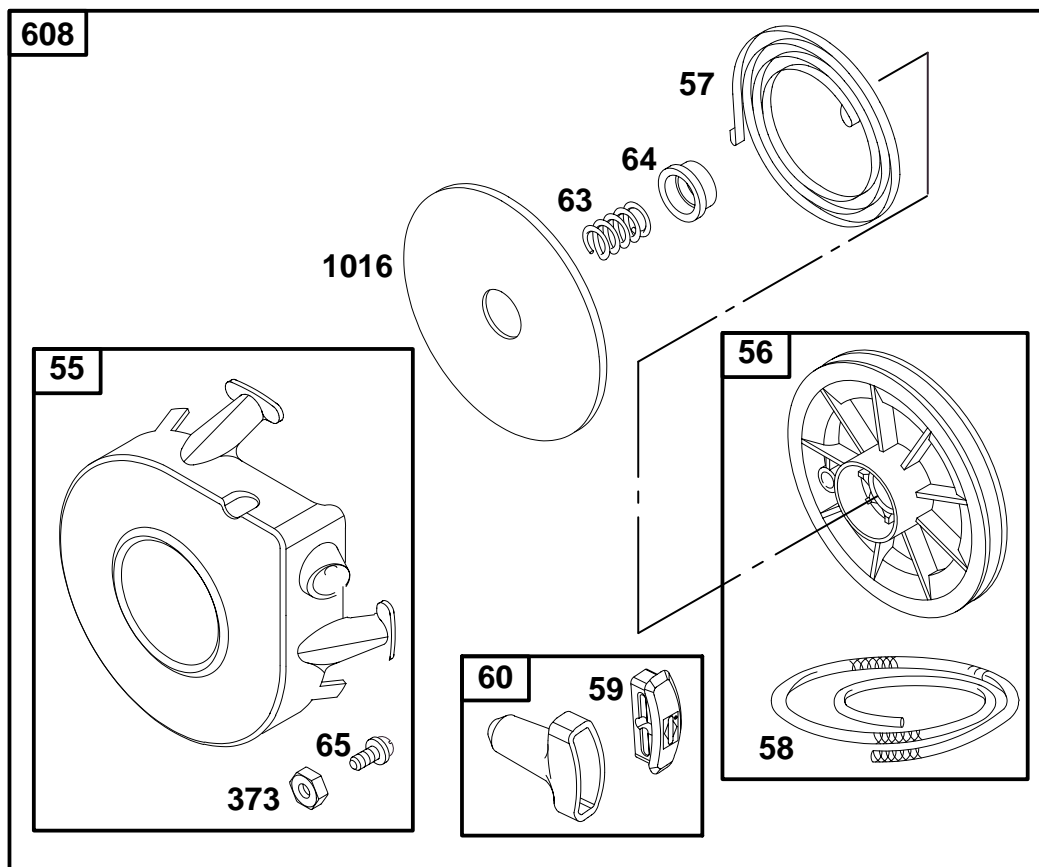


REF. NO.	PART NO.	DESCRIPTION	REF. NO.	PART NO.	DESCRIPTION	REF. NO.	PART NO.	DESCRIPTION	
23	298260	Flywheel	304	491596	Housing—Blower	325	280457	Pulley—Starter	
23A	391983	Flywheel			<b>Note</b>	363	19203	Flywheel Puller	
37	222475	Guard—Flywheel			491592	Housing—Blower	423	94625	Screw—Shoulder
38	94811	Screw—Hex.			Used on Type No(s).	575	396691	Switch—Rotary	
73	224874	Screen—Rotating			0123, 0125, 0304,	668	225124	Spacer	
74	94928	Screw—Shoulder			0305, 0504, 0505,	726	392134	Gear—Ring	
75	224061	Washer			0530, 0532, 0534,			Includes Mtg. Parts	
200	221760	Guide—Air			1112, 1125, 1131.	727	395405	Cover—Starter Drive	
						930	280685	Guard—Rewind	
					305	94786	Screw—Hex.		

★ Included in Gasket Set—Part No. 299577.  
 ● Included in Carburetor Kit—Part No. 398235.

⊘ Included in Valve Overhaul Gasket Set—Part No. 498533.

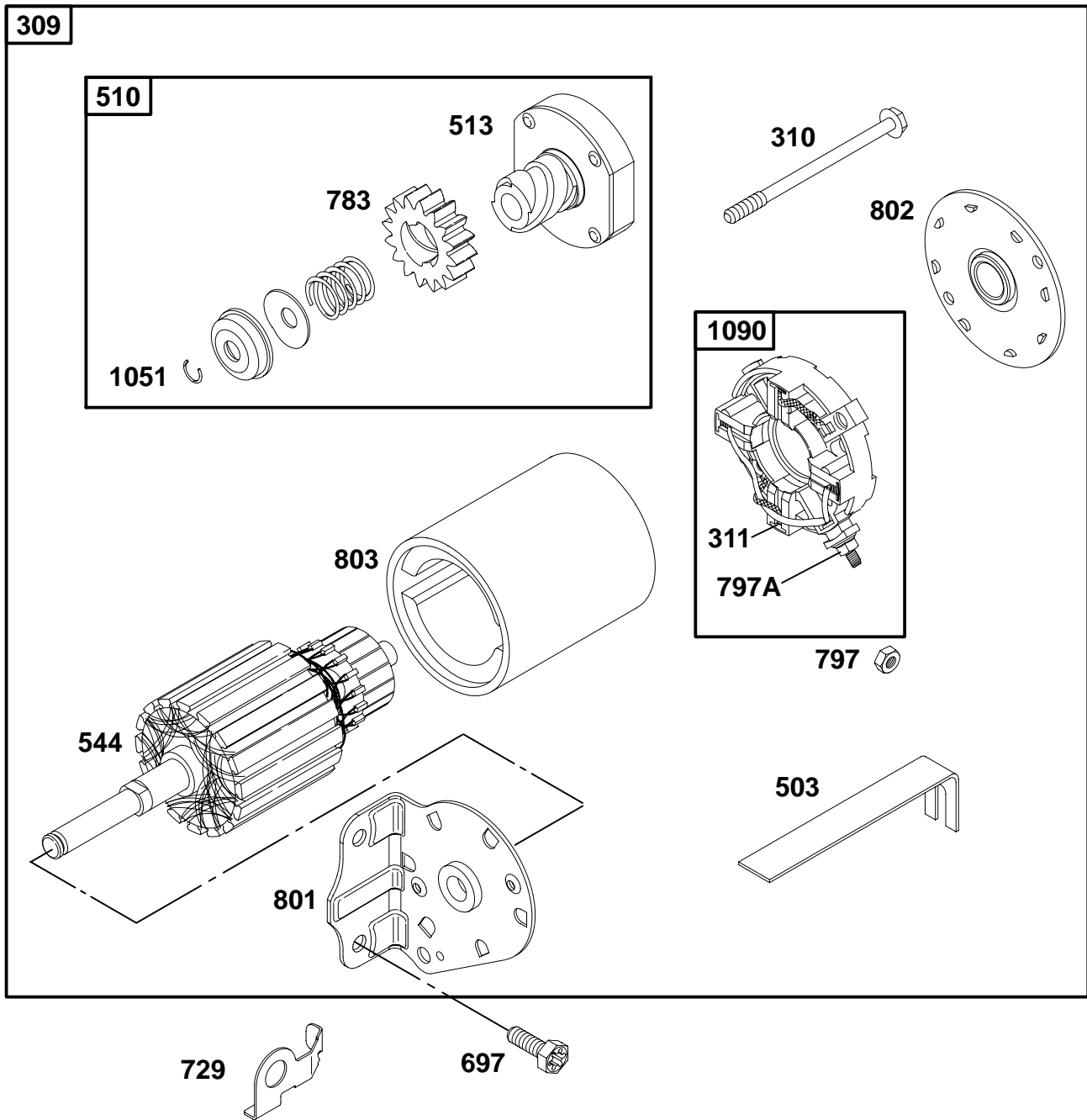
# 171400 to 171499



REF. NO.	PART NO.	DESCRIPTION	REF. NO.	PART NO.	DESCRIPTION	REF. NO.	PART NO.	DESCRIPTION
55	393576	Housing—Rewind Starter	59	490653	Insert—Grip	70	298799	Ratchet—Clutch
56	295871	Pulley—Starter	60	490652	Grip—Starter Rope	71	394506	Cover—Ratchet
57	490179	Spring—Rewind Starter	63	260414	Spring—Ratchet	228	94680	Screw—Hex.
58	66884	Rope—Starter (63" Long)	64	230543	Adapter—Spring	373	92987	Nut—Hex.
		<b>Note</b>	65	94686	Screw—Hex.	608	390391	Starter—Rewind
		66894 Rope—Starter (99" Long)	66	399671	Clutch—Starter	655	222598	Anchor—Rewind Spring
			67	394897	Housing—Clutch	1016	490817	Spacer—Rewind
			68	63770	Ball—Clutch			

★ Included in Gasket Set—Part No. 299577.  
 ● Included in Carburetor Kit—Part No. 398235.

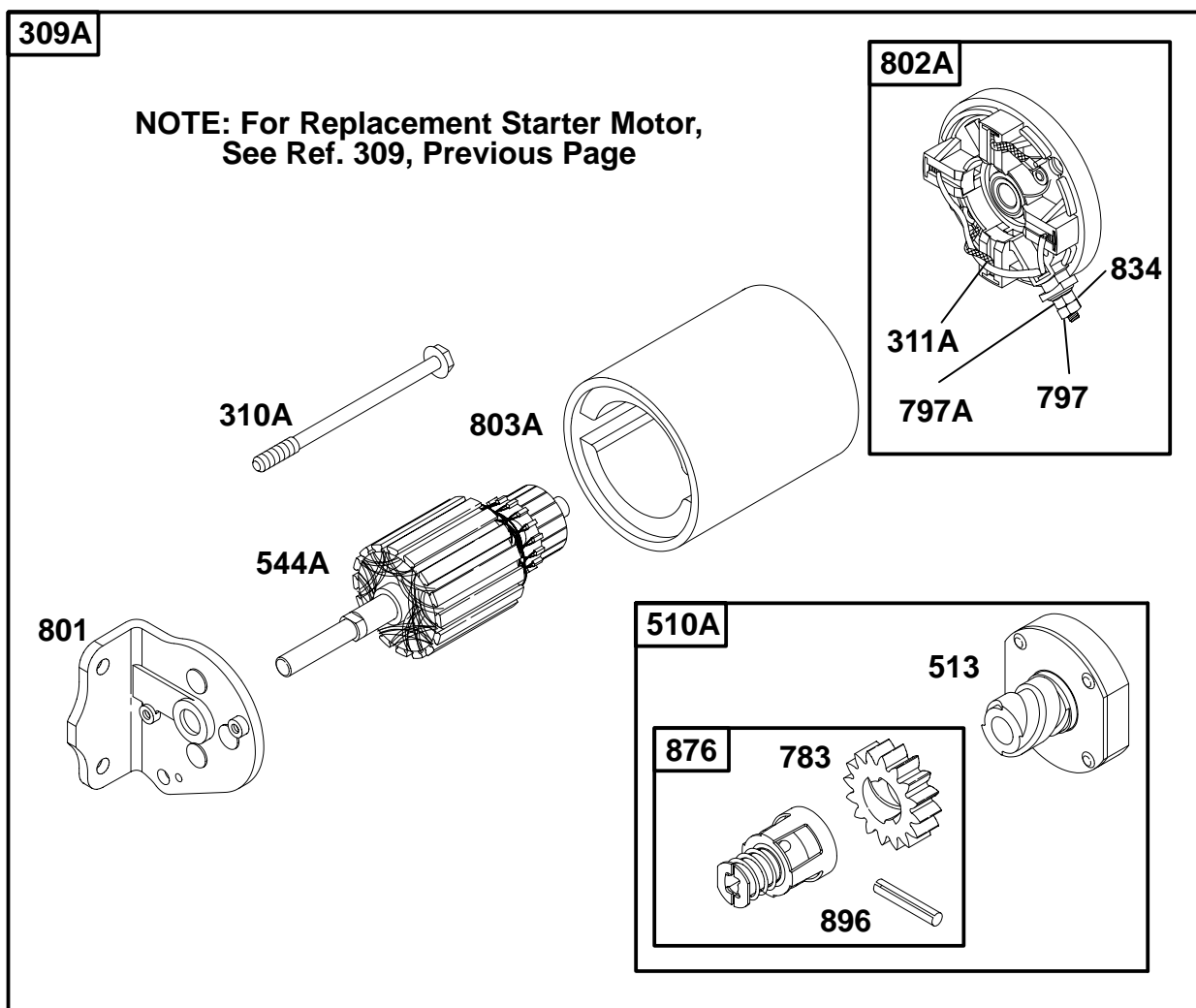
∅ Included in Valve Overhaul Gasket Set—Part No. 498533.



REF. NO.	PART NO.	DESCRIPTION	REF. NO.	PART NO.	DESCRIPTION	REF. NO.	PART NO.	DESCRIPTION
309	693054	Motor-Starter	697	94773	Screw (Starter Motor Mounting)	797A	693167	Nut (Starter Terminal)
310	94003	Bolt (Starter Motor)	729	225170	Clip-Wire	801	394856	Cap-Drive
311	497608	Brush Set	783	693059	Gear-Starter	802	497607	Cap-End
503	806000	Strap-Starter	797	92278	Nut (Starter Terminal)	803	497604	Housing-Starter
510	497606	Drive-Starter				1051	263080	Ring-Retainer
513	398003	Clutch-Drive				1090	497605	Retainer-Brush
544	497603	Armature-Starter						

★ Included in Gasket Set-Part No. 299577.  
 ● Included in Carburetor Kit-Part No. 398235.

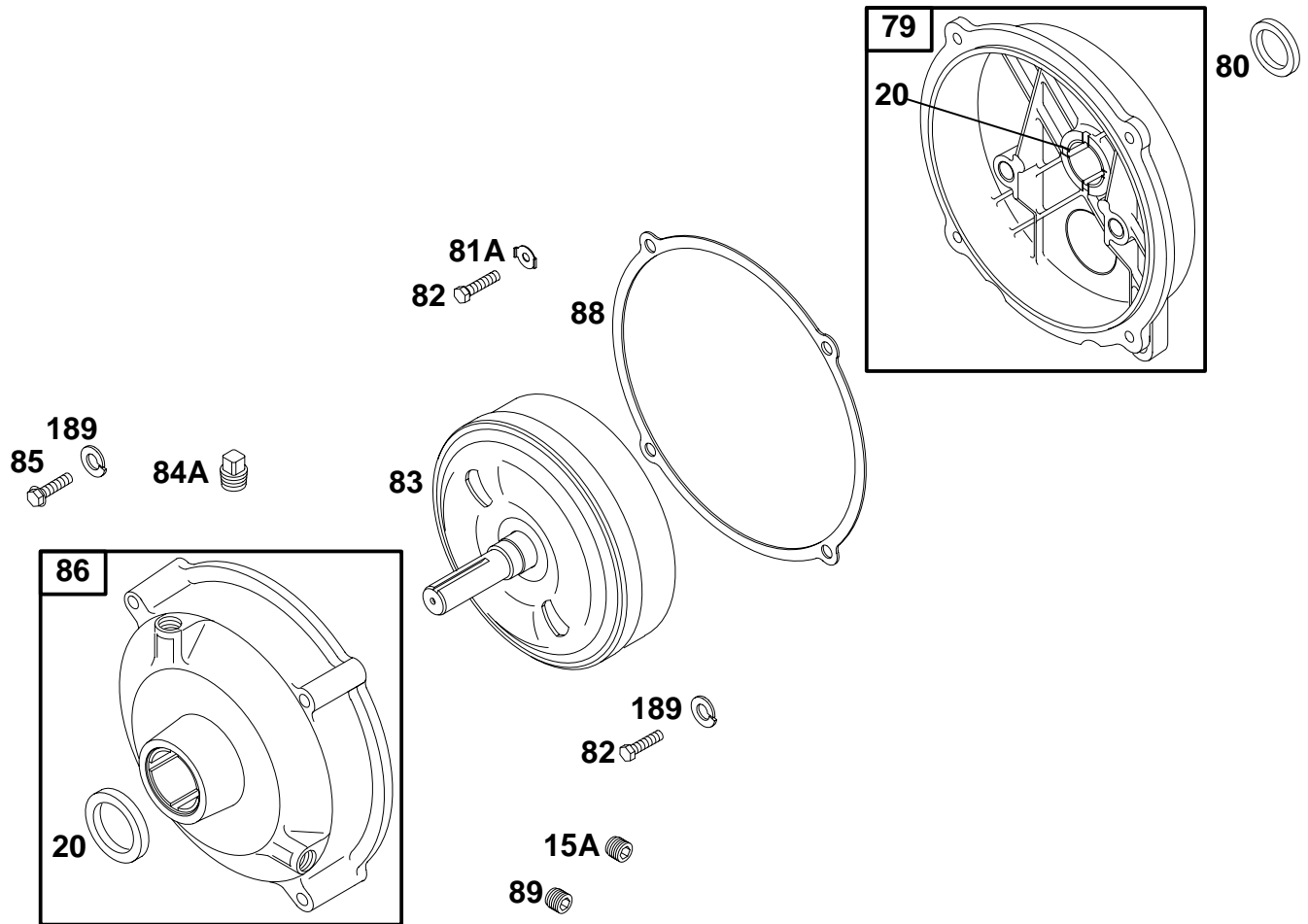
⊘ Included in Valve Overhaul Gasket Set-Part No. 498533.



REF. NO.	PART NO.	DESCRIPTION	REF. NO.	PART NO.	DESCRIPTION	REF. NO.	PART NO.	DESCRIPTION
<b>309A</b>		<b>For Replacement Starter Motor, See Ref 309, Previous Page.</b>	<b>544A</b>	<b>390837</b>	Armature–Starter	<b>801</b>	<b>394856</b>	Cap–Drive
			<b>697</b>	<b>94773</b>	Screw (Starter Motor Mounting)	<b>802A</b>	<b>395537</b>	Cap–End
<b>310A</b>	<b>94003</b>	Bolt. (Starter Motor)	<b>783</b>	<b>693059</b>	Gear–Starter	<b>803A</b>	<b>398159</b>	Housing–Starter
<b>311A</b>	<b>395538</b>	Brush Set	<b>797</b>	<b>93715</b>	Nut (Starter Terminal)	<b>834</b>	<b>92507</b>	Washer (Starter Terminal)
<b>503</b>	<b>806000</b>	Strap–Starter	<b>797A</b>	<b>94010</b>	Nut (Starter Terminal)	<b>876</b>	<b>495877</b>	Kit–Gear
<b>510A</b>	<b>495878</b>	Drive–Starter				<b>896</b>	<b>94288</b>	Pin–Roll
<b>513</b>	<b>398003</b>	Clutch–Drive						

★ Included in Gasket Set–Part No. 299577.  
 ● Included in Carburetor Kit–Part No. 398235.

∅ Included in Valve Overhaul Gasket Set–Part No. 498533.

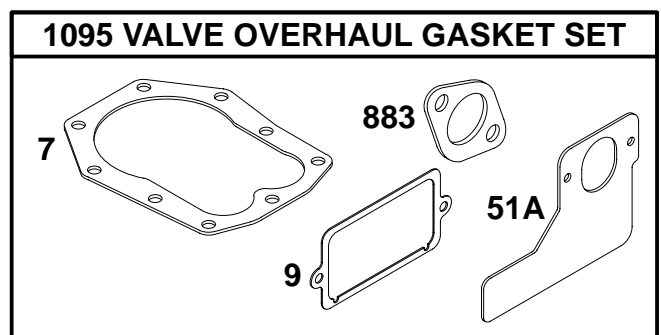
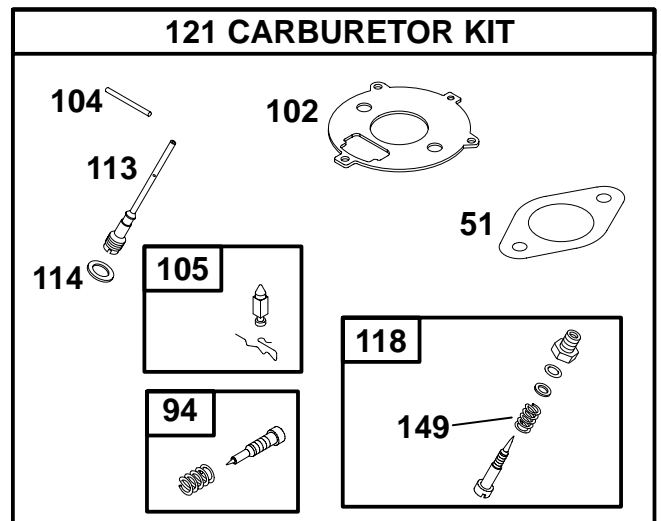
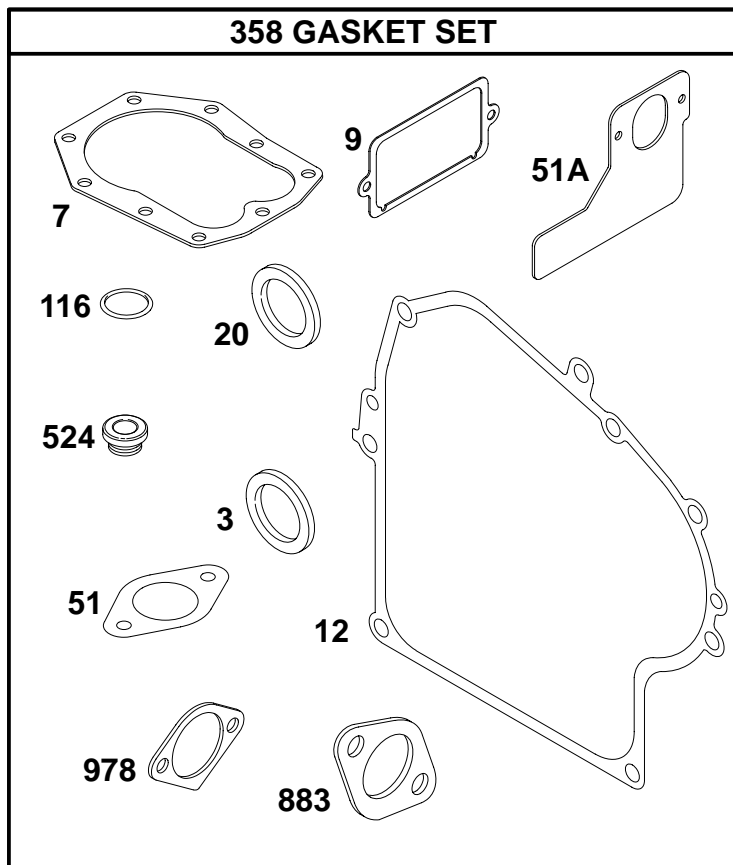


REF. NO.	PART NO.	DESCRIPTION	REF. NO.	PART NO.	DESCRIPTION	REF. NO.	PART NO.	DESCRIPTION
15A	94886	Plug—Oil Drain	83	495985	Shaft—Auxilliary Drive	88	27328	Gasket—Cover
20	★391086	Seal—Oil	84A	94918	Plug—Breather	89	91488	Plug—Oil
79	296179	Case—Reduction Gear	85	91386	Screw—Hex.	189	90366	Washer—Lock
80	27884	Gasket—Gear Case	86	296053	Cover Assembly—Gear			
81A	220234	Lock—Screw Head						
82	92502	Screw—Hex.						

★ Included in Gasket Set—Part No. 299577.  
 ● Included in Carburetor Kit—Part No. 398235.

∅ Included in Valve Overhaul Gasket Set—Part No. 498533.

# 171400 to 171499



REF. NO.	PART NO.	DESCRIPTION	REF. NO.	PART NO.	DESCRIPTION	REF. NO.	PART NO.	DESCRIPTION
3	★391086	Seal—Oil	20	★391086	Seal—Oil	116	★270920	Seal—O-Ring
7	∅★272163	Gasket—Cylinder Head	51	●★270684	Gasket—Intake	118	●99525	Valve—High Speed
9	∅★27803	Gasket—Breather	51A	∅★27828	Gasket—Intake	121	398235	Carburetor Kit
12	★271701	Gasket—Crankcase (.015" Thick, Std.)	94	●292681	Valve—Idle Adjustment	149	●26336	Spring—Needle Valve
	<b>Note</b>		102	●27918	Gasket—Carburetor Body	358	299577	Gasket Set
		★27876 Gasket—Crankcase (.005" Thick)	104	●230896	Pin—Float Hinge	524	★281370	Seal—Fill Tube
		★27877 Gasket—Crankcase (.009" Thick)	105	●394681	Valve—Needle	883	∅★272309	Gasket—Exhaust
			113	●398202	Nozzle—Carburetor	978	★271736	Gasket
			114	●68667	Gasket—Nozzle	1095	498533	Gasket Set—Valve Overhaul

★ Included in Gasket Set—Part No. 299577.  
● Included in Carburetor Kit—Part No. 398235.

∅ Included in Valve Overhaul Gasket Set—Part No. 498533.