

171400 to 171499

Illustrated Parts List

Industrial/Commercial

Model Series

171400 to 171499

TYPE NUMBERS

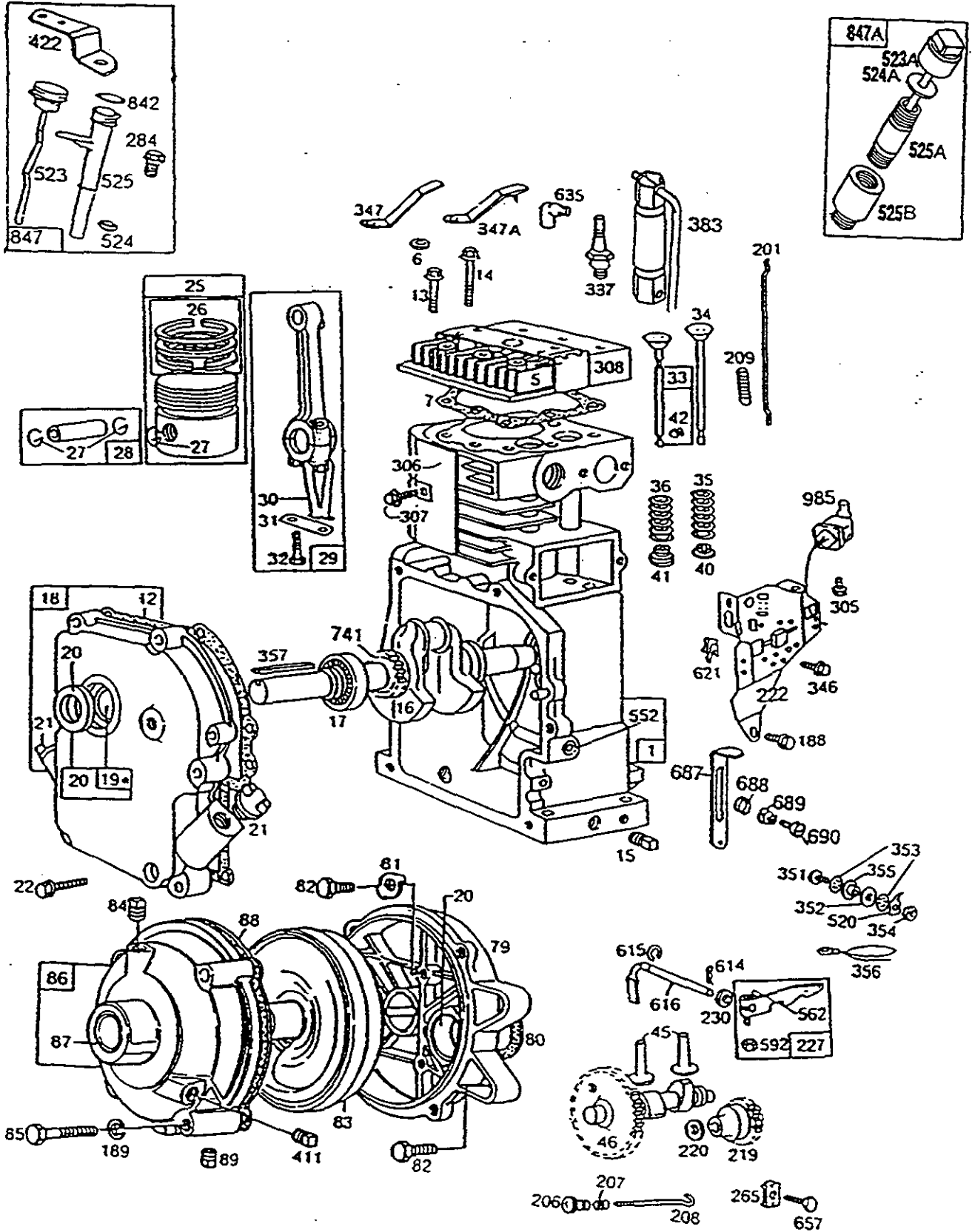
0035 through 0131,
0235, 0249, 0270,
0300 through 0308,
0435, 0436, 0449,
0450, 0470,
0500 through 0505,
0520 through 0535,
4001, 4035, 4049,
4070, 4090, 4091.

TO FIND

THE CORRECT NUMBER OF THE PART YOU NEED: FOLLOW THE INSTRUCTIONS BELOW

- A. Refer to Engine Model, Type and Code Number that is stamped on the blower housing of engine. Engine type numbers such as 0123 01 are listed only as 0123 in most instances. The two digits (01 or 02, etc.) to the right of the space may be required for more accurate parts identification in some instances. Select the Illustrated Parts List covering the correct Model Series and Type Number.
- B. Refer to the illustrations and compare the original part with illustration. The number next to the illustration is the Reference Number. Assemblies include all parts shown in frames. All parts shown in assembly frames having individual reference numbers can be purchased separately.
- C. After the Reference Number has been identified, refer to the Numerical text, where Reference and Primary Part Number are listed. **THE PRIMARY PART IS USED ON ALL TYPE NUMBERS EXCEPT THOSE TYPE NUMBERS UNDER "NOTE."**
- D. If a "Note" appears below the Primary Part Number, it means that this part differs from the Primary Part for certain types. If your Type number is listed under "Note," order the part referred to at the "Note."
- E. If your Engine Type Number does not appear after any part number listed under "Note," use the Primary Part Number.
- F. For Engine Type Numbers not covered by this book, check other Parts Lists having the same engine model or contact your source of supply.

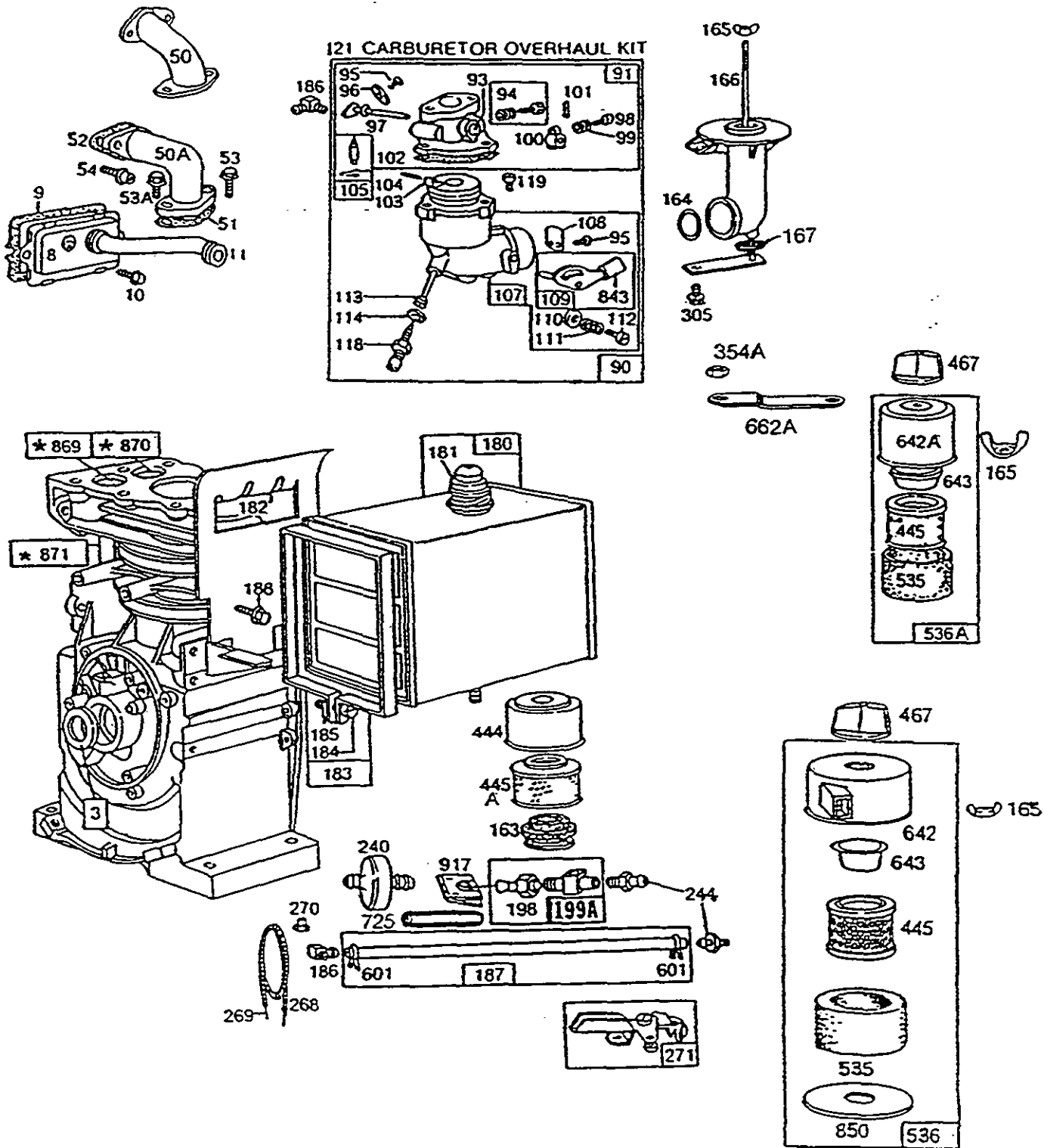
171400 to 171499



* REQUIRES SPECIAL TOOLS TO INSTALL.
SEE REPAIR INSTRUCTION MANUAL.

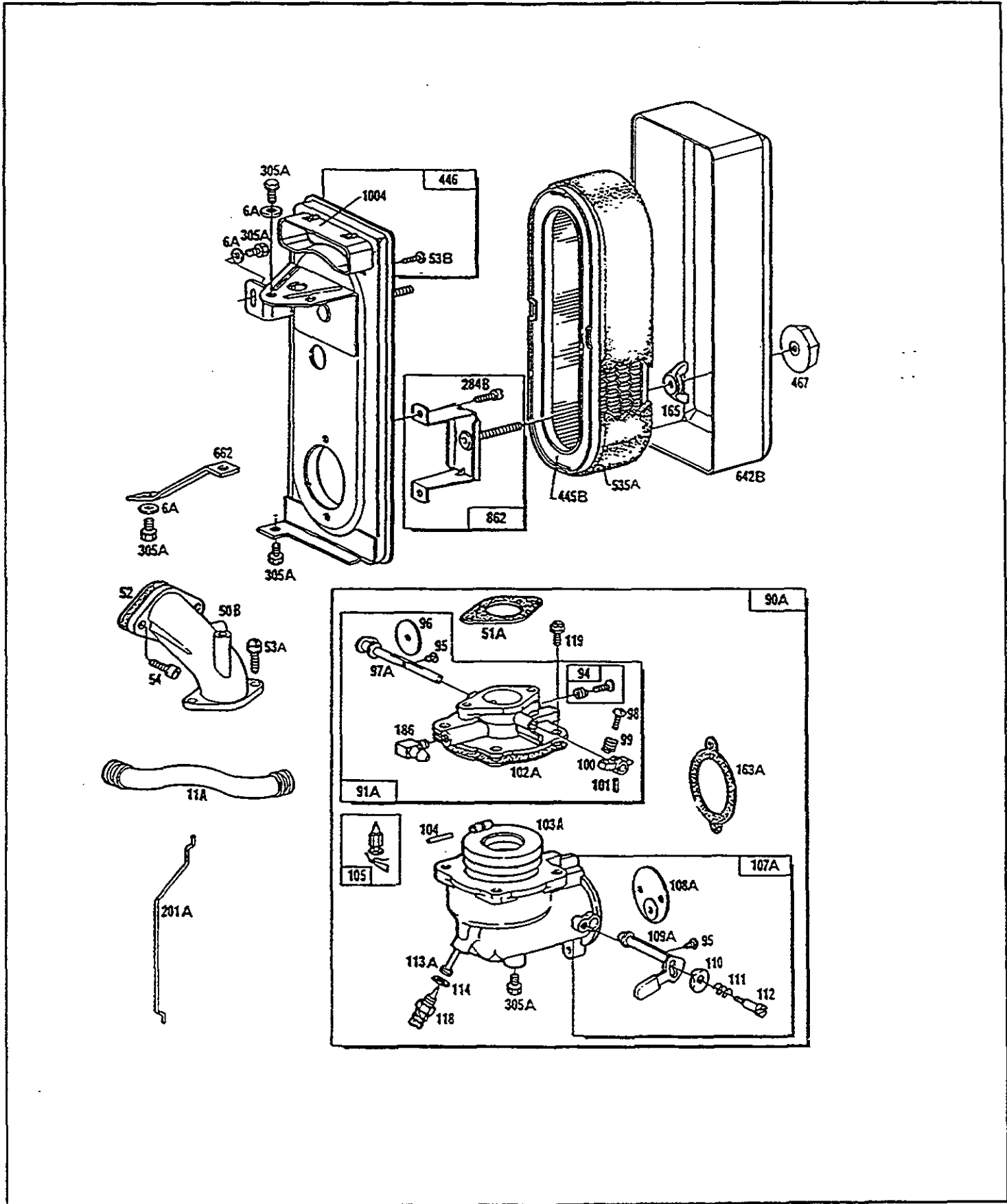
358 GASKET SET

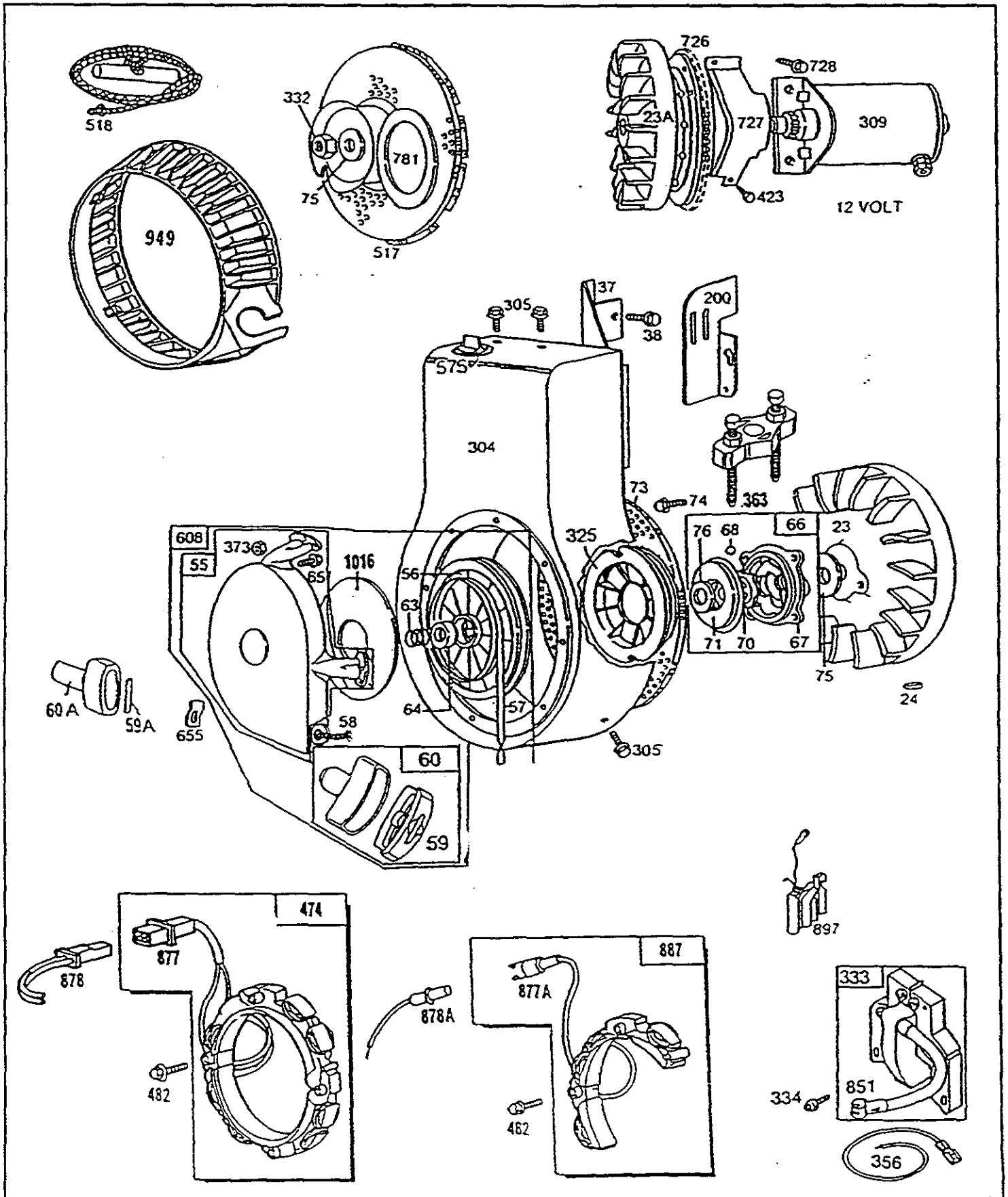
1019 LABEL KIT



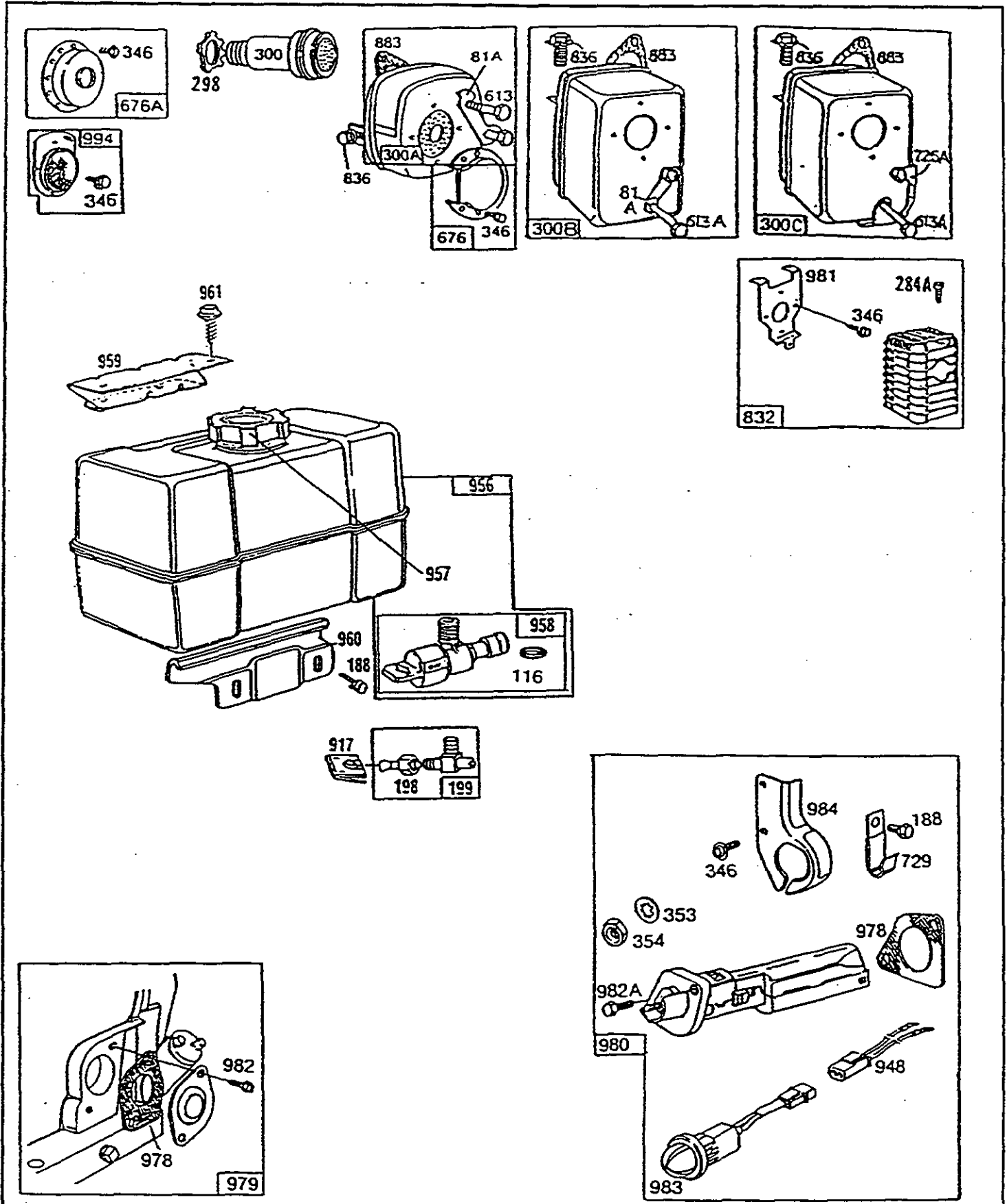
* REQUIRES SPECIAL TOOLS TO INSTALL.
SEE REPAIR INSTRUCTION MANUAL.

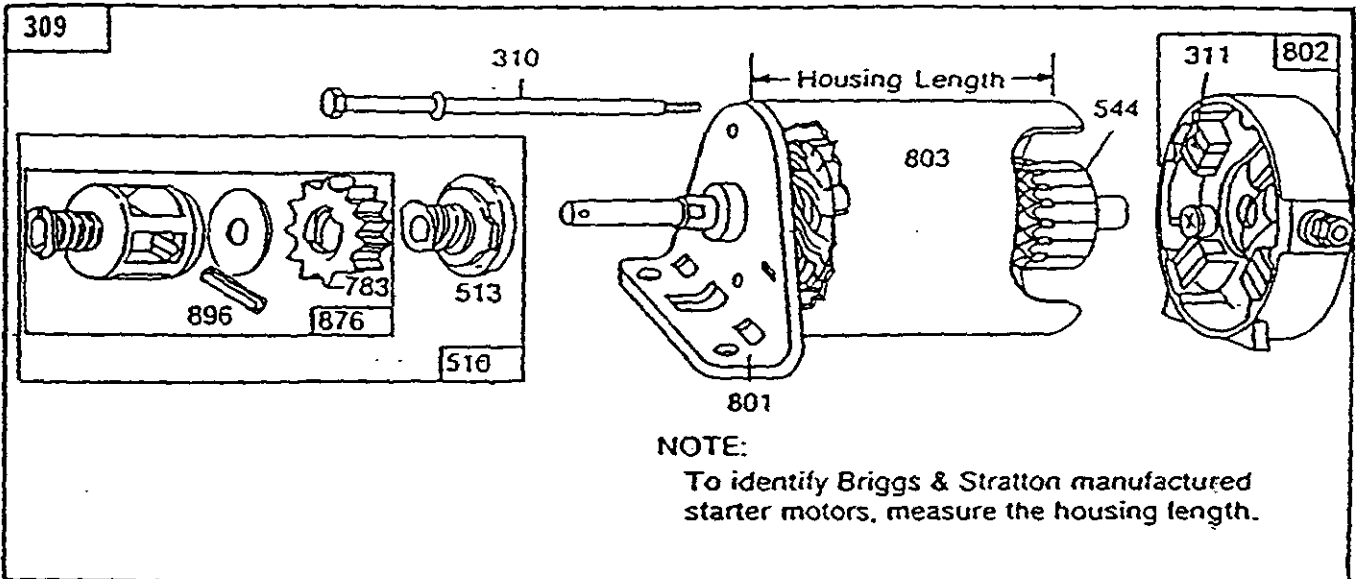
171400 to 171499





171400 to 171499





Reference Number		309	310	311	510	544	801	802	803
Manufacturer		Motor and Drive Ass'y.	Thru Bolt Assembly	Brush Assembly	Drive Assembly	Armature Assembly	Drive End Cap Assembly	End Cap Ass'y. Commutator	Housing Assembly
Briggs & Stratton	Housing Length								
12V	3-21/32"	394805	94003	395538	490421**	390837	394856	395537*	398159

*Includes Brush Set

**Includes #398003 Clutch Assembly (Ref. No. 513)
 #280104 Gear (Ref. No. 783)
 #490467 Retainer and Pin (Ref. No. 876)
 # 94288 Roll Pin (Ref. No. 896)

171400 to 171499

REF. NO.	PART NO.	DESCRIPTION	REF. NO.	PART NO.	DESCRIPTION	REF. NO.	PART NO.	DESCRIPTION	
1	399218	Cylinder Assembly	16	399513	Crankshaft	19	295964	Bushing-Crankcase Cover	
3	294606	Seal-Oil	Note: Order 94388 Key or 230978 Pin For Loose Timing Gear Retaining Device.			20	391086	Seal-Oil	
5	212285	Head-Cylinder				21	66768	Plug-Oil Filler	
6	22963	Washer				22	93585	Screw-Crankcase Cover Mtg. Sem	
6A	62199	Washer				23	298260	Flywheel-Magneto	
7	*270430	Gasket-Cylinder Head				23A	391983	Flywheel and Ring Gear Assy.-Magneto For Use on Engines WITH ALTERNATOR (Includes Aluminum Ring Gear).	
8	390321	Breather Assembly				24	222698	Key-Flywheel	
	Note: 294948	Breather Assy. Used on Type Nos. 0131, 0306, 0520, 0521.				25	393868	Piston Assy. (Std.)	
9	*27803	Gasket-Valve Cover					393869	Piston Assembly (.010" O.S.)	
10	94621	Screw-Sem					393879	Piston Assembly (.020" O.S.)	
11	280267	Tube-Breather					393880	Piston Assembly (.030" O.S.)	
	Note: 67068	Tube-Breather Used on Type Nos. 0131, 0306, 0520, 0521.				MODEL 171400 SERIES PISTON RING SETS:			
11A	280716	Tube-Breather				Note: For Chrome Piston Ring Set (Standard Size) Order Part No. 299743.			
12	*271701	Gasket-Crankcase Cover-1/64" Thick				26	393881	Ring Set-Piston (Std.)	
	*27876	Gasket-Crankcase Cover-.005" Thick					393882	Ring Set-Piston (.010" O.S.)	
	*27877	Gasket-Crankcase Cover-.009" Thick					393883	Ring Set-Piston (.020" O.S.)	
13	93211	Screw-Cylinder Head (2-21/32" Long)	17	29530	Bearing-Ball		393884	Ring Set-Piston (.030" O.S.)	
	Note: 93776	Stud-Cylinder Head	18	299178	Cover Assembly-Crankcase Used on Model 171431, 171432, 171437 Series Engines Except as Listed Under Note.		27	68546	Lock-Piston Pin
	22963	Washer Used on Type No. 0525.					28	295840	Pin Assy.-Piston (Std.)
	93776	Stud-Cylinder Head					295841	Pin Assembly-Piston (.005" O.S.)	
	93781	Stud-Cylinder Head					29	398577	Rod Assy.-Connecting Rod Note: For Connecting Rod With .020" Undersize Crankpin Bearing-Order No. 398578.
	22963	Washer Used on Type Nos. 4001, 4035, 4049, 4070, 4090, 4091.					30	223568	Dipper-Connecting Rod
14	93723	Screw-Cylinder Head (3" Long)					31	220811	Lock-Connecting Rod Screw
15	91084	Plug-Oil Drain					32	92659	Screw-Connecting Rod
	Note: 92738	Plug-Oil Drain (Magnetic) Use One on Engines With OIL GARD®				MODEL 171400 SERIES PISTON RING SETS:			
	93418	Plug-Oil Drain (Hex. Socket Head)				Note: For Chrome Piston Ring Set (Standard Size) Order Part No. 299743.			
						26	393881	Ring Set-Piston (Std.)	
							393882	Ring Set-Piston (.010" O.S.)	
							393883	Ring Set-Piston (.020" O.S.)	
							393884	Ring Set-Piston (.030" O.S.)	
						27	68546	Lock-Piston Pin	
						28	295840	Pin Assy.-Piston (Std.)	
							295841	Pin Assembly-Piston (.005" O.S.)	
						29	398577	Rod Assy.-Connecting Rod Note: For Connecting Rod With .020" Undersize Crankpin Bearing-Order No. 398578.	
						30	223568	Dipper-Connecting Rod	
						31	220811	Lock-Connecting Rod Screw	
						32	92659	Screw-Connecting Rod	
						MODEL 171400 SERIES PISTON RING SETS:			
						Note: For Chrome Piston Ring Set (Standard Size) Order Part No. 299743.			
						26	393881	Ring Set-Piston (Std.)	
							393882	Ring Set-Piston (.010" O.S.)	
							393883	Ring Set-Piston (.020" O.S.)	
							393884	Ring Set-Piston (.030" O.S.)	
						27	68546	Lock-Piston Pin	
						28	295840	Pin Assy.-Piston (Std.)	
							295841	Pin Assembly-Piston (.005" O.S.)	
						29	398577	Rod Assy.-Connecting Rod Note: For Connecting Rod With .020" Undersize Crankpin Bearing-Order No. 398578.	
						30	223568	Dipper-Connecting Rod	
						31	220811	Lock-Connecting Rod Screw	
						32	92659	Screw-Connecting Rod	
						MODEL 171400 SERIES PISTON RING SETS:			
						Note: For Chrome Piston Ring Set (Standard Size) Order Part No. 299743.			
						26	393881	Ring Set-Piston (Std.)	
							393882	Ring Set-Piston (.010" O.S.)	
							393883	Ring Set-Piston (.020" O.S.)	
							393884	Ring Set-Piston (.030" O.S.)	
						27	68546	Lock-Piston Pin	
						28	295840	Pin Assy.-Piston (Std.)	
							295841	Pin Assembly-Piston (.005" O.S.)	
						29	398577	Rod Assy.-Connecting Rod Note: For Connecting Rod With .020" Undersize Crankpin Bearing-Order No. 398578.	
						30	223568	Dipper-Connecting Rod	
						31	220811	Lock-Connecting Rod Screw	
						32	92659	Screw-Connecting Rod	

* Included in Gasket Set-Part No. 299577.

• Included in Carburetor Overhaul Kit-Part No. 398235.

◦ Included in Carburetor Overhaul Kit-Part No. 394693.

171400 to 171499

REF. NO.	PART NO.	DESCRIPTION	REF. NO.	PART NO.	DESCRIPTION	REF. NO.	PART NO.	DESCRIPTION
33	390420	Valve-Exhaust	58	66884	Rope-Rewind Starter (63" Long) For Use With Plastic Pulley, If Longer Rope is Required, Order No. 280399 and Cut to Length.	89	91488	Plug-Oil Drain
	Note:	390419 Valve-Exhaust Used on Type Nos. 0526, 0529, 0530, 0532, 0534, 0535.				90	390323	Carburetor Assembly (Manual Choke)
34	261055	Valve-Intake	59	490653	Insert-Starter Handle	90A	490419	Carburetor Assembly
35	65906	Spring-Intake Valve	59A	230228	Pin-Starter Grip	91	399443	Body Assembly-Upper Carburetor (Used After Code Date 84100700).
36	26828	Spring-Exhaust Valve	60	490652	Handle-Rewind Starter		Note:	390404 Body Assy.-Upper Carburetor (Used Before Code Date 84100800).
37	222475	Guard-Flywheel	60A	66728	Grip-Starter Rope	91A	491560	Body Assembly-Upper Carburetor
38	93777	Screw-Sem	63	260414	Spring-Ratchet	93	23108	Bushing-Throttle Shaft
40	221596	Retainer-Intake Valve	64	230543	Adapter-Ratchet Spring	94	292681	Valve Assembly-Carburetor Idle
41	292260	Rotocoil-Exhaust Valve	65	94063	Screw-Rewind Starter Housing Mtg. Sem	95	93499	Screw-Throttle and Choke Valve Mtg. Sem
	Note:	68293 Retainer-Exhaust Valve Used on Type Nos. 0526, 0529, 0530, 0532, 0534, 0535.		Note:	93067 Screw-Rewind Starter Housing Mounting Sem Used on Type Nos. Below 0200.	96	223370	Valve-Throttle
42	93630	Retainer-Exhaust Valve Rotocoil (2)	66	399671	Clutch Assembly-Rewind Starter	97	298826	Shaft and Lever-Throttle
45	260933	Tappet-Valve	67	394897	Housing-Rewind Starter Clutch	97A	491484	Shaft and Lever-Throttle
46	211689	Gear-Cam	68	63770	Ball-Clutch	98	91920	Screw-Machine, Fil. Hd.
50	213099	Elbow-Intake	70	298799	Ratchet-Rewind Starter Clutch	99	26157	Spring-Throttle Adjustment
50A	212488	Elbow-Intake	71	394506	Washer-Clutch Retainer	100	212904	Stop-Throttle
	Note:	212478 Elbow-Intake Uses: 93357 Screw (2) Used on Type Nos. 0131, 0306, 0520, 0521.	73	221796	Screen-Rewind Starter	101	93043	Pin-Throttle Stop
50B	213169	Elbow-Intake	74	93042	Screw-Sem	102	27918	Gasket-Carburetor Body
51	270684	Gasket-Intake Elbow	75	224061	Washer-Spring	102A	270268	Gasket-Carburetor Body
51A	270267	Gasket-Intake Elbow	76	68238	Washer-Ratchet Sealing	103	99333	Float-Carburetor
52	27828	Gasket-Intake Elbow Mounting	79	296179	Case Assembly-Gear	103A	298514	Float-Carburetor
53	93956	Screw-Shoulder	80	27884	Gasket-Gear Case to Crankcase Cover	104	230896	Pin-Float Hinge
53A	93357	Screw-Carburetor Mounting Sem	81	220234	Lock-Gear Case Mounting Screw	105	394681	Valve-Fuel Inlet
53B	94073	Screw-Hex. Hd.	81A	222263	Lock-Muffler Screw		Note:	394682 Valve-Fuel Inlet (Includes Brass Seat)
54	93208	Screw-Intake Elbow Mounting Sem	82	92502	Screw-Cap	107	399442	Body Assembly-Lower Carburetor (Used After Code Date 84100700).
55	393576	Housing-Rewind Starter	83	291762	Shaft Assembly-Drive		Note:	299170 Body Assy.-Lower Carburetor (Used Before Code Date 84100800).
56	295871	Pulley-Rewind Starter (Includes 63" Rope) If Longer Rope is Required, Order No. 280399 and Cut to Length.	84	92617	Plug-Breather			
57	490179	Spring-Rewind Starter	85	91386	Screw-Gear Case Cover Mounting			
			86	296053	Cover Assy.-Gear Case			
			87	391086	Seal-Oil			
			88	27328	Gasket-Gear Case Cover			

★ Included in Gasket Set-Part No. 299577.

● Included in Carburetor Overhaul Kit-Part No. 398235.

○ Included in Carburetor Overhaul Kit-Part No. 394693.

171400 to 171499

REF. NO.	PART NO.	DESCRIPTION	REF. NO.	PART NO.	DESCRIPTION	REF. NO.	PART NO.	DESCRIPTION
107A	490422	Body Assembly- Lower Carburetor	164	398592	Pipe Assembly- Air Cleaner	188	93535	Screw-Sem
108	62872	Valve-Choke (Used After Code Date 84100700).			Uses: 271265 O-Ring	189	90366	Washer-Lock,
	Note:	221835 Valve-Choke (Used Before Code Date 84100800).		Note:	298410 Pipe Assy.- Air Cleaner Used on Type Nos. 0131, 0306, 0520, 0521.	198	293934	Valve-Fuel Shut-Off
108A	391836	Valve-Choke	165	94289	Nut-Wing	199	399949	Outlet-Fuel Tank
109	391987	Shaft and Lever-Choke	166	392105	Stud-Air Cleaner (9-9/16" Long)	199A	297563	Outlet-Fuel Tank
109A	490068	Shaft and Lever-Choke		Note:	295947 Stud-Air Cleaner (7-3/4" Long) Used on Type Nos. 0131, 0306, 0520, 0521.	200	221760	Guide-Air
110	222712	Washer-Choke Lever				201	260872	Link-Governor
111	26155	Spring-Choke Lever					Note:	260478 Spring- Governor Link Used on Type Nos. 0070, 0270, 0470, 0533, 4070.
112	23123	Screw-Choke Lever				201A	262307	Link-Governor
113	•398202	Nozzle-Carburetor (Used After Code Date 84100700).					Note:	260478 Spring- Governor Link Used on Type No. 0525.
	Note:	•398039 Nozzle- Carburetor (Used Before Code Date 84100800).	167	65978	Seal-Air Cleaner Stud	206	231266	Nut-Governor Control Rod
113A	491520	Nozzle-Carburetor (Used After Code Date 89101800).	180	290816	Tank Assy.-Fuel (4 Quart)	207	26855	Spring-Governor Control Rod
	Note:	398202 Nozzle-Carb. (Used Before Code Date 89101900).		Note:	291488 Tank Assy.- Fuel (6 Quart) Used on Type Nos. 0035, 0049, 0070, 4090, 4091.	208	261959	Rod-Governor Control
114	••68667	Gasket-Nozzle	181	392305	Cap-Fuel Tank	209	260695	Spring-Governor
116	280203	Ring-Seal	182	222758	Bracket-Fuel Tank		Note:	261126 Spring-Gov. Used on Type Nos. 0131, 0306, 0520, 0521, 0529, 0530, 0534, 0535, 4001, 4035, 4049, 4090, 4091.
118	••99525	Valve Assy.-Needle Includes: 22235 Washer-Brass 26336 Spring 65978 O-Ring 394033 Valve Needle			Note:	219	494845	Gear-Governor (Used After Code Date 91060900).
119	94152	Screw-Sem	183	291367	Strap Assy.-Fuel Tank		Note:	391737 Gear-Gov. (Used Before Code Date 91061000).
121	398235	Carburetor Overhaul Kit (Used After Code Date 84100700).		Note:	291490 Strap Assy.- Fuel Tank Used on Type Nos. 0035, 0049, 0070, 4090, 4091.	220	221551	Washer-Thrust
	Note:	394693 Carburetor Overhaul Kit (Used Before Code Date 84100800).	184	91257	Screw-Machine, Fil. Hd.	222	399151	Plate-Governor Control
163	*27907	Gasket-Air Cleaner Mounting	185	90970	Nut-Square		Note:	490386 Plate-Governor Control Used on Type Nos. 0525, 0532.
163A	271910	Gasket-Air Cleaner Mounting	186	67218	Connector-Fuel Pipe	227	391965	Lever Assy.-Governor
			187	296004	Pipe-Fuel (Flexible) (23" Long)		Note:	396775 Lever Assy.- Governor Used on Type Nos. 0525, 0532.
				Note:	393815 Pipe-Fuel (Flexible) (11" Long) (Cut to Suit)	230	222450	Washer-Gov. Crank
						240	298090	Filter-Fuel (In Fuel Pipe)

* Included in Gasket Set-
Part No. 299577.

• Included in Carburetor Overhaul Kit-
Part No. 398235.

◦ Included in Carburetor Overhaul Kit-
Part No. 394693.

171400 to 171499

REF. NO.	PART NO.	DESCRIPTION	REF. NO.	PART NO.	DESCRIPTION	REF. NO.	PART NO.	DESCRIPTION	
244	230318	Connector-Fuel Pipe	306	223374	Shield-Cylinder	373	92987	Nut-Hex.	
265	221535	Clamp-Casing		Note: 222830	Shield-Cylinder	383	89838	Wrench-Spark Plug	
268	65616	Casing-Control Wire (72" Long)			Used on Type Nos. 0449, 0450, 0503, 0505, 0525, 0529, 0530, 0531, 0532, 0533, 0534, 0535, 4049.	411	93448	Plug-Oil Lever Hole	
	Note:	If Longer Casing is Required, Specify Length in Inches; if Shorter Wire is Needed, Order No. 65616 and Cut to Required Length.	307	93949	Screw-Cylinder Shield Mtg. Sem	422	223375	Bracket-Oil Fill	
269	26633	Wire-Control (78" long)	308	222636	Cover-Cylinder Head	423	94625	Screw-Sem	
	Note:	If Longer Wire is Required, Specify Length in Inches; if Shorter Wire is Needed, Order No. 26633 and Cut to Required Length.	309		Motor-Starting (12 Volt)	444	390588	Cover-Air Cleaner	
					See Chart on Illustrated Pages For Replacement Parts.	445	393957	Cartridge-Air Cleaner	
270	63426	Locknut-Control Wire Casing	325	280457	Pulley-Rope Starter	445A	390492	Cartridge-Air Cleaner	
271	290568	Lever Assy.-Control	332	92284	Nut-Hex. Hd.	445B	399968	Cartridge-Air Cleaner	
284	93886	Screw-Hex. Hd.	333	398811	Armature-Magneto	446	490430	Base Assy.-Air Cleaner	
284A	93572	Screw-Self Tapping	334	93381	Screw-Armature Mtg.	467	212706	Knob-Air Cleaner	
284B	94271	Screw-Air Cleaner Mounting	337	298809	Plug-Spark (1-1/2" High, 38 mm.)	474	393474	Stator-Alternator (Dual Circuit)	
298	261409	Locknut-Muffler		Note: 293918	Plug-Spark (1-1/2" High, 38 mm.) (Resistor Type)	482	93621	Screw-Sem	
300	393010	Muffler-Exhaust			492167	Plug-Spark (1-7/8" High, 48 mm.)	517	295423	Pulley-Rope Starter
300A	391313	Muffler-Exhaust			802592	Plug-Spark (1-7/8" High, 48 mm.) (Resistor Type)	518	69932	Rope-Starter
	Note:	391232 Guard-Muffler Uses: 93606 Screw-Guard to Muffler 222379 Retainer-Guard Used on Type Nos. 0131, 0306.	346	93705	Screw-Hex. Hd.	520	93722	Terminal-Spade	
300B	494221	Muffler-Exhaust	347	220197	Switch-Stop (For 1-1/2" High, 38 mm. Spark Plugs)	523	396987	Cap and Dipstick-Oil Filler	
300C	399355	Muffler-Exhaust	347A	298926	Switch-Stop (For 1-1/2" High, 38 mm. Spark Plugs)	523A	297357	Cap-Oil Filler	
304	491596	Housing-Blower	351	93735	Screw-Terminal (Truss Hd.)	524	68838	Seal-Filler Tube	
	Note:	491592 Housing-Blower Used on Type Nos. 0123, 0125, 0304, 0305, 0504, 0505, 0530, 0532, 0534.			91920	Screw-Terminal (Fillister Hd.)	524A	65304	Gasket-Filler Cap
305	93158	Screw-Sem	352	66068	Washer-Insulating	525	280220	Tube-Oil Fill	
305A	93559	Screw-Hex. Hd. Sem	353	92791	Washer-Lock	525A	91258	Nipple-Oil Filler (2-1/2" Long)	
			354	90576	Nut-Hex.		Note:	230553 Nipple-Oil Filler (5-1/4" Long)	
			354A	94314	Nut-Hex. Air Cleaner (Brace to Cyl. Head)	525B	394884	Adapter-Oil Filler	
			355	66554	Collar-Insulating	535	271794	Element-Air Cleaner	
			356	398874	Wire-Ground	535A	271939	Element-Air Cleaner	
			357	91540	Key-Pulley	536	399810	Cleaner Assy.-Air (Used After Code Date 85060600).	
			358	299577	Gasket Set	536A	391063	Cleaner Assy.-Air	
			363	19203	Puller-Flywheel		Note:	For Dual Element Air Cleaner Kit Order No. 393459. Used With Standard Air Cleaner Pipe Assembly	
						552	491893	Bushing-Gov. Crank	
						562	92613	Bolt-Governor Lever	
						575	396691	Switch-Rotary Stop	
						592	231082	Nut-Hex.	
						601	93053	Clamp-Fuel Pipe	
						608	390391	Starter Assy.-Rewind (Std. Length Rope)	
						613	94042	Screw-Muffler Mtg.	
						613A	94054	Screw-Muffler Mtg.	
						614	93306	Pin-Cotter	
						615	93307	Retainer-E-Ring	

* Included in Gasket Set-Part No. 299577.

• Included in Carburetor Overhaul Kit-Part No. 398235.

◦ Included in Carburetor Overhaul Kit-Part No. 394693.

171400 to 171499

REF. NO.	PART NO.	DESCRIPTION	REF. NO.	PART NO.	DESCRIPTION	REF. NO.	PART NO.	DESCRIPTION
616	231057	Crank-Governor	832	398779	Guard-Muffler	948	398661	Harness-Wire
621	396847	Switch-Stop (Used After Code Date 85041400).	836	93559	Screw-Bracket to Cylinder Head	949	280685	Guard-Rewind Starter
	Note:	297472 Switch-Stop (Used Before Code Date 85041500).		Note:	93587 Screw-Sem To Mount Guard, Retainer and Muffler Bracket to Head	956	490572	Tank Assembly-Fuel
635	66538	Elbow-Spark Plug			Used on Type Nos. 0131, 0306.	957	397975	Cap-Fuel Tank
642	398462	Cover-Air Cleaner	842	271170	Seal-Tube	958	399517	Outlet-Fuel Tank
642A	222271	Cover-Air Cleaner	843	280149	Sleeve-Choke Lever	959	223462	Bracket-Fuel Tank (Upper)
642B	223751	Cover-Air Cleaner	847	399901	Dipstick and Tube Assy.		Note:	Bracket-Fuel Tank Furnished by Equipment Manufacturer on Type No. 0521.
643	222272	Cup-Air Cleaner	847A	493955	Dipstick and Tube Assy.	960	492990	Bracket-Fuel Tank (Lower)
655	222598	Anchor-Spring	850	271793	Seal-Base			(Used After Code Date 89040400).
657	93496	Screw-Sem	851	221798	Terminal-Ignition Cable		Note:	223463 Bracket- Fuel Tank (Lower) (Used Before Code Date 89040300).
662	223820	Strap-Support	862	490431	Strap-Air Cleaner Mtg.			
662A	224484	Brace-Air Cleaner	869	211661	Seat-Intake Valve (Standard)			
676	393757	Deflector-Exhaust (Side Outlet)	870	210940	Seat-Exhaust Valve (Standard)			
676A	395700	Deflector-Exhaust	871	261961	Bushing-Exhaust Valve Guide	961	94095	Screw-Tank Mtg.
687	390690	Slide-Friction Control		Note:	231218 Bushing-Intake Valve Guide	978	271736	Gasket-Oil Switch
688	221766	Cap-Friction Spring		See Repair Manual.		979	398194	Cover-OIL GARD® Hole
689	260847	Spring-Friction	877	393456	Diode and Connector Assy. (Dual Circuit)	980	398182	Switch-OIL GARD®
690	92484	Screw-Machine, Fil. Hd.	877A	393814	Diode and Connector Assy. (D.C.)	981	223373	Bracket-Muffler Guard
725	280692	Shield-Heat				982	94139	Cover Screw- OIL GARD®
725A	223645	Shield-Muffler	878	393362	Alternator Harness Assy. (Dual Circuit)	982A	94146	Screw-OIL GARD® Mtg.
726	392134	Gear-Ring (Aluminum) (Includes Mtg. Parts)	878A	393422	Alternator Harness Assembly	983	398660	Light-Indicator
727	395405	Shield-Starter (Includes Mtg. Screws)	883	270918	Gasket-Muffler	984	223773	Bracket-Indicator Light
728	93523	Screw-Sem	887	391529	Stator Assembly- Alternator (D.C.)	985	398525	Insulator Assembly
729	223528	Clip-Wire	897	394970	Trigger Coil	994	399541	Arrester-Spark
741	262479	Gear-Timing (For Loose Gear With Key).	917	223271	Valve Handle-Fuel Shut-Off	1004	280718	Duct-Air
	Note:	261195 Gear-Timing (For Loose Gear With Pin).				1016	490817	Spacer
781	280068	Cap-Starter Pulley				1019	491183	Label Kit

* Included in Gasket Set-
Part No. 299577.

• Included in Carburetor Overhaul Kit-
Part No. 398235.

◦ Included in Carburetor Overhaul Kit-
Part No. 394693.