

# Illustrated Parts List

## Model Series

### 176400 to 176499

TYPE NUMBERS  
0035, 0049, 0050,  
0101, 0103, 0113,  
0114, 0115, 0116.

**TO FIND**  
**THE CORRECT NUMBER OF THE PART YOU NEED:**  
**FOLLOW THE INSTRUCTIONS BELOW**

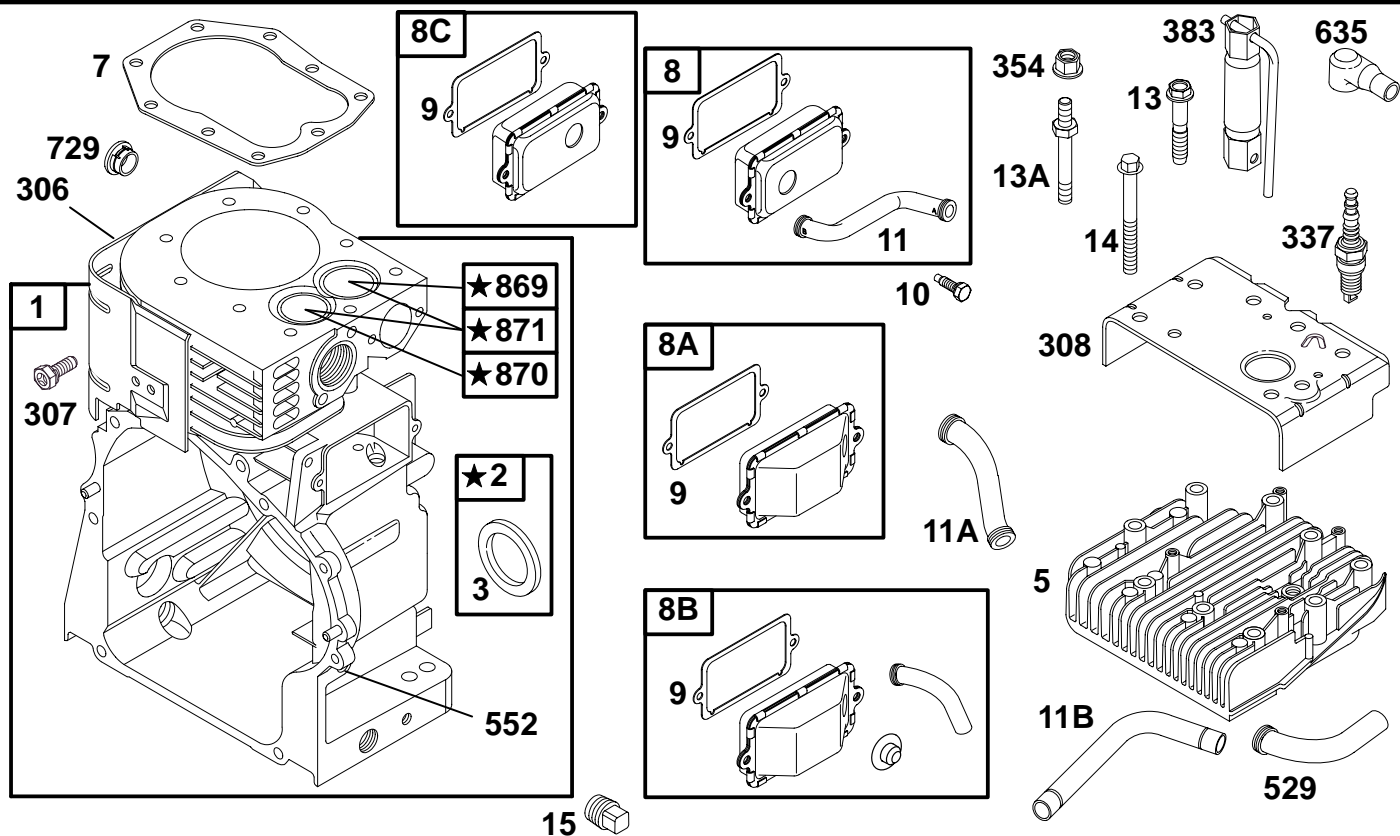
- A. Refer to Engine Model, Type and Code Number that is stamped on the blower housing of engine. Engine type numbers such as 0123 01 are listed only as 0123 in most instances. The two digits (01 or 02, etc.) to the right of the space may be required for more accurate parts identification in some instances. Select the Illustrated Parts List covering the correct Model Series and Type Number.
- B. Refer to the Illustrations and compare the original part with Illustration. The number next to the illustration is the Reference Number. Assemblies include all parts shown in frames. All parts shown in assembly frames having individual reference numbers can be purchased separately.
- C. After the Reference Number has been identified, refer to the Numerical text, where Reference and Primary Part Number are listed. **THE PRIMARY PART IS USED ON ALL TYPE NUMBERS EXCEPT THOSE TYPE NUMBERS UNDER "NOTE."**
- D. If a "Note" appears below the Primary Part Number, it means that this part differs from the Primary Part for certain types. If your Type number is listed under "Note," order the part referred to at the "Note."
- E. If your Engine Type Number does not appear after any part number listed under "Note," use the Primary Part Number.
- F. For Engine Type Numbers not covered by this book, check other Parts Lists having the same engine model or contact your source of supply.

PRINTED IN U.S.A.



COPYRIGHT by BRIGGS & STRATTON CORPORATION  
All rights reserved. No part of this material may be reproduced or transmitted, in any form or by any means, electronic or mechanical, including photocopying, recording or by any information storage and retrieval system, without permission in writing from Briggs & Stratton Corporation.

# 176400 to 176499



**1058 OWNER'S MANUAL**

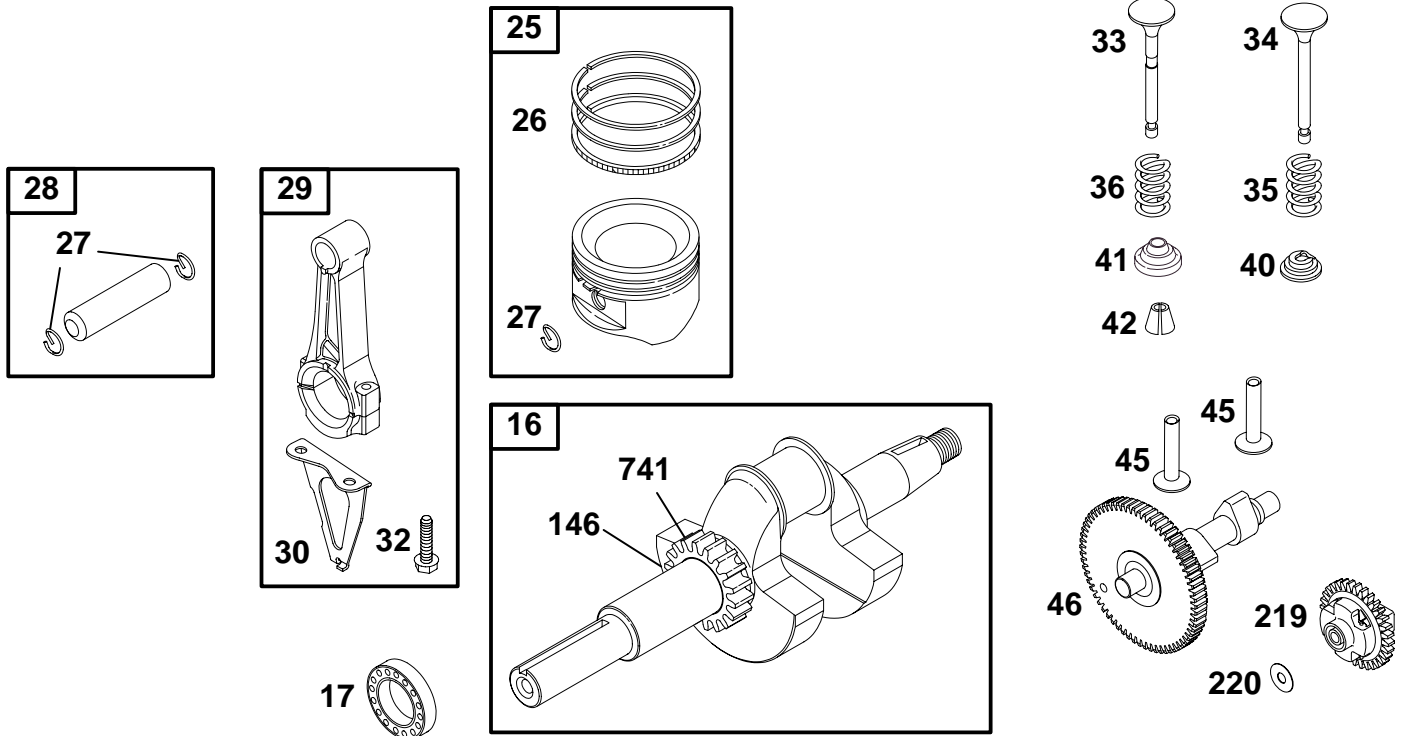
**1019 LABEL KIT**

★ **REQUIRES SPECIAL TOOLS TO INSTALL. SEE REPAIR INSTRUCTION MANUAL.**

REF. NO.	PART NO.	DESCRIPTION	REF. NO.	PART NO.	DESCRIPTION	REF. NO.	PART NO.	DESCRIPTION	
1	495656	Cylinder Assembly (Includes OIL GARD® Cover)	11A	280225	Tube-Breather	354	94726	Nut-Hex	
2	495657	Bushing	11B	281426	Tube-Breather	383	89838	Wrench-Spark Plug	
3	★391086	Seal-Oil	13	94565	Screw-Hex. (2 5/8" Long)	529	281367	Grommet	
5	214014	Head-Cylinder	13A	94733	Stud-Hex. Drive (3 5/16" Long) #5, & #6 Positions)	552	491986	Bushing-Gov. Crank Shaft	
7	∅★272163	Gasket-Cylinder Head			<b>Note</b>				
8	498038	Breather Assembly (Used After Code Date 95040200).			94776	Stud-Hex. Drive (3 9/16" Long) (#1 Position)	635	66538	Boot-Spark Plug
8A	495736	Breather Assembly (Used After Code Date 95010100 and Before Code Date 95040300).	14	94622	Screw-Hex. (3" Long)	729	281396	Clip-Wire	
8B	497710	Breather Kit (Used Before Code Date 95010200).	15	94239	Plug-Oil Drain	869	211661	Seat-Valve (Intake)	
8C	495724	Breather Assembly			<b>Note</b>	870	262924	Seat-Valve (Exhaust)	
9	∅★27803	Gasket-Breather			92738	Plug-Oil Drain (Magnetic)	871	261961	Bushing-Guide (Exhaust Valve)
10	94621	Screw-Hex.	306	496797	Shield-Cylinder			<b>Note</b>	
11	280819	Tube-Breather	307	94386	Screw-Hex.			231218	Bushing-Guide (Intake Valve)
			308	224896	Cover-Cylinder	1019	497156	Label Kit	
			337	802592	Plug-Spark	1058	272848	Owner's Manual	

★ Included in Gasket Set-Part No. 497070.  
 ● Included in Carburetor Kit-See Ref. No. 121.

◆ Included in Carburetor Gasket Set-Part No. 497069.  
 ∅ Included in Valve Overhaul Gasket Set-Part No. 498534.

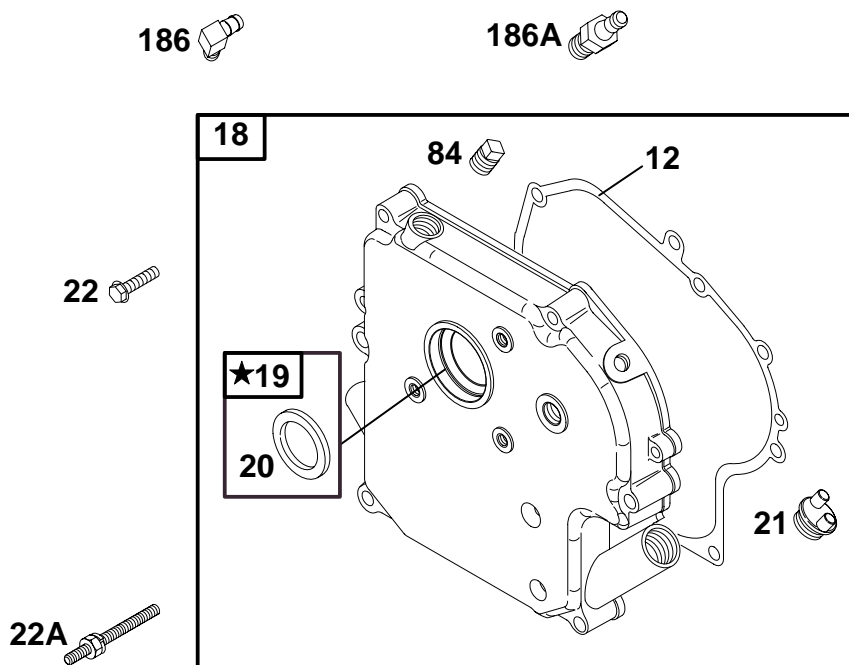


REF. NO.	PART NO.	DESCRIPTION	REF. NO.	PART NO.	DESCRIPTION	REF. NO.	PART NO.	DESCRIPTION
16	495733	Crankshaft <b>Note</b> <b>495723</b> Crankshaft Used on Type No(s). 0049, 0103, 0050. <b>495775</b> Crankshaft Used on Type No(s). 0113, 0114.	27	263181	Lock-Piston Pin <b>Note</b> <b>68546</b> Lock-Piston Pin (Used Before Code Date 96102800).	34	261055	Valve-Intake
17	29530	Bearing-Ball	28	499302	Pin-Piston (Standard) <b>Note</b> <b>499303</b> Pin-Piston (.005" O.S.) <b>295840</b> Pin-Piston (Standard) (Used Before Code Date 96102800). <b>295841</b> Pin-Piston (.005" O.S.) (Used Before Code Date 96102800).	35	65906	Spring-Valve (Intake)
25	393868	Piston Assembly (Standard) <b>393869</b> Piston Assy. (.010" O.S.) <b>393879</b> Piston Assy. (.020" O.S.) <b>393880</b> Piston Assy. (.030" O.S.)	29	398577	Rod-Connecting <b>Note</b> <b>398578</b> Rod-Conn. (.020" Undersize)	36	26828	Spring-Valve (Exhaust)
26	393881	Ring Set (Standard) <b>299743</b> Ring Set (Standard, Chrome) <b>393882</b> Ring Set (.010" O.S.) <b>393883</b> Ring Set (.020" O.S.) <b>393884</b> Ring Set (.030" O.S.)	30	223568	Dipper-Conn. Rod	40	221596	Retainer-Valve
			32	94670	Screw-Conn. Rod	41	292260	Retainer-Valve
			33	390420	Valve-Exhaust (Includes Ref. 42)	42	494553	Keeper-Valve
						45	260933	Tappet-Valve
						46	211689	Gear-Cam
						146	94388	Key-Timing
						219	497037	Gear-Governor
						220	221551	Washer-Thrust
						741	263025	Gear-Timing <b>Note</b> <b>262479</b> Gear-Timing (Used Before Code Date 95022000).

★ Included in Gasket Set-Part No. 497070.  
 ● Included in Carburetor Kit-See Ref. No. 121.

◆ Included in Carburetor Gasket Set-Part No. 497069.  
 ◊ Included in Valve Overhaul Gasket Set-Part No. 498534.

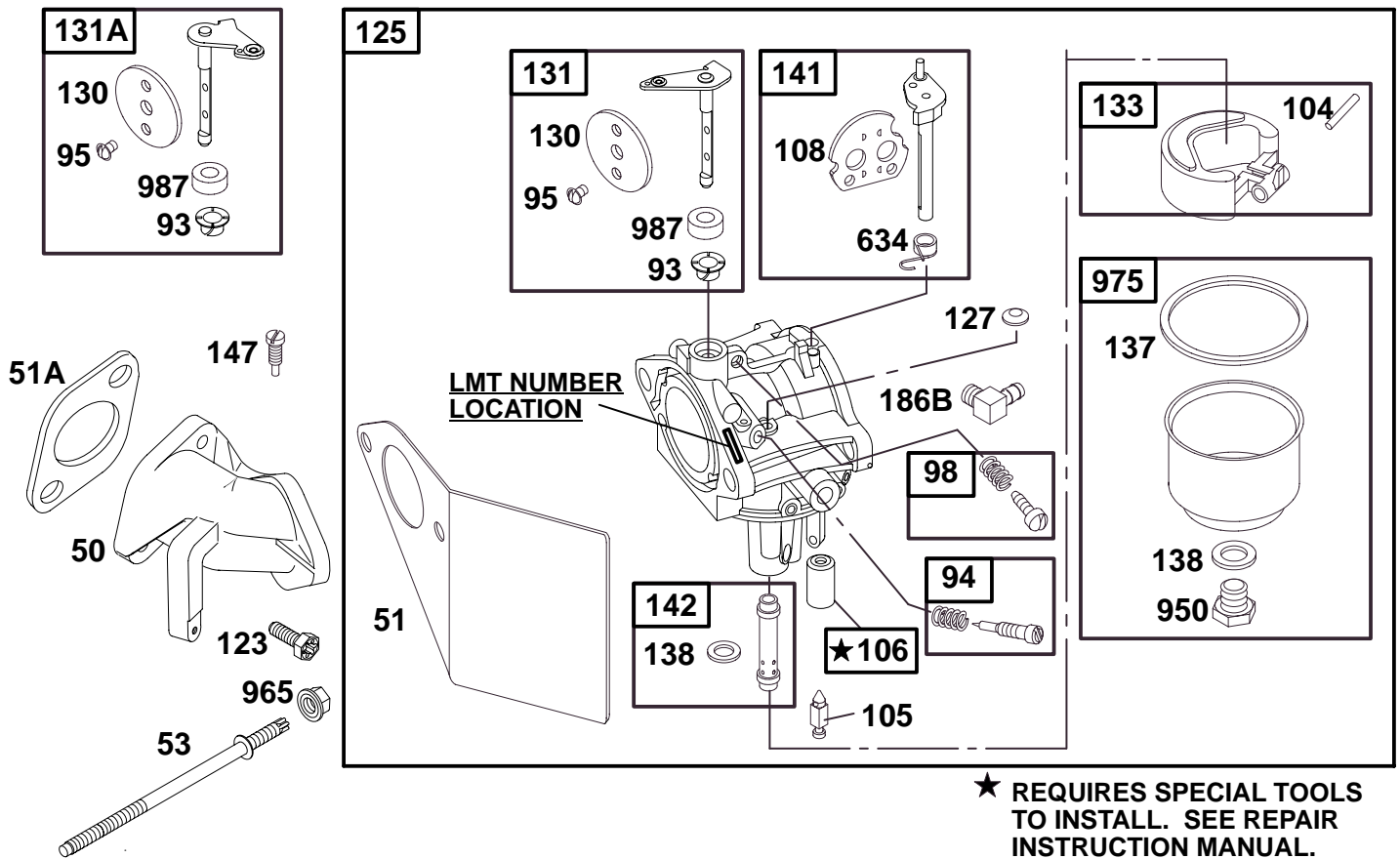
# 176400 to 176499



REF. NO.	PART NO.	DESCRIPTION	REF. NO.	PART NO.	DESCRIPTION	REF. NO.	PART NO.	DESCRIPTION
12	★271701	Gasket-Crankcase (.015" Thick)	18	496981	Cover-Crankcase Used on Type No(s). 0035, 0101, 0115, 0116.	19	295964	Bushing
	★27876	Gasket-Crankcase (.005" Thick)			————— <b>Note</b> —————	20	★391086	Seal-Oil
	★27877	Gasket-Crankcase (.009" Thick)			496983 Cover-Crankcase Used on Type No(s). 0049, 0050, 0103.	21	66768	Cap-Oil Fill
					496979 Cover-Crankcase Used on Type No(s). 0113, 0114.	22	93585	Screw-Hex
						22A	94931	Stud-Hex. Drive (Used in No. 1 Position)
						84	91488	Plug-Oil
						186	67218	Connector-Hose
						186A	230318	Connector-Hose

★ Included in Gasket Set-Part No. 497070.  
 ● Included in Carburetor Kit-See Ref. No. 121.

◆ Included in Carburetor Gasket Set-Part No. 497069.  
 ◊ Included in Valve Overhaul Gasket Set-Part No. 498534.

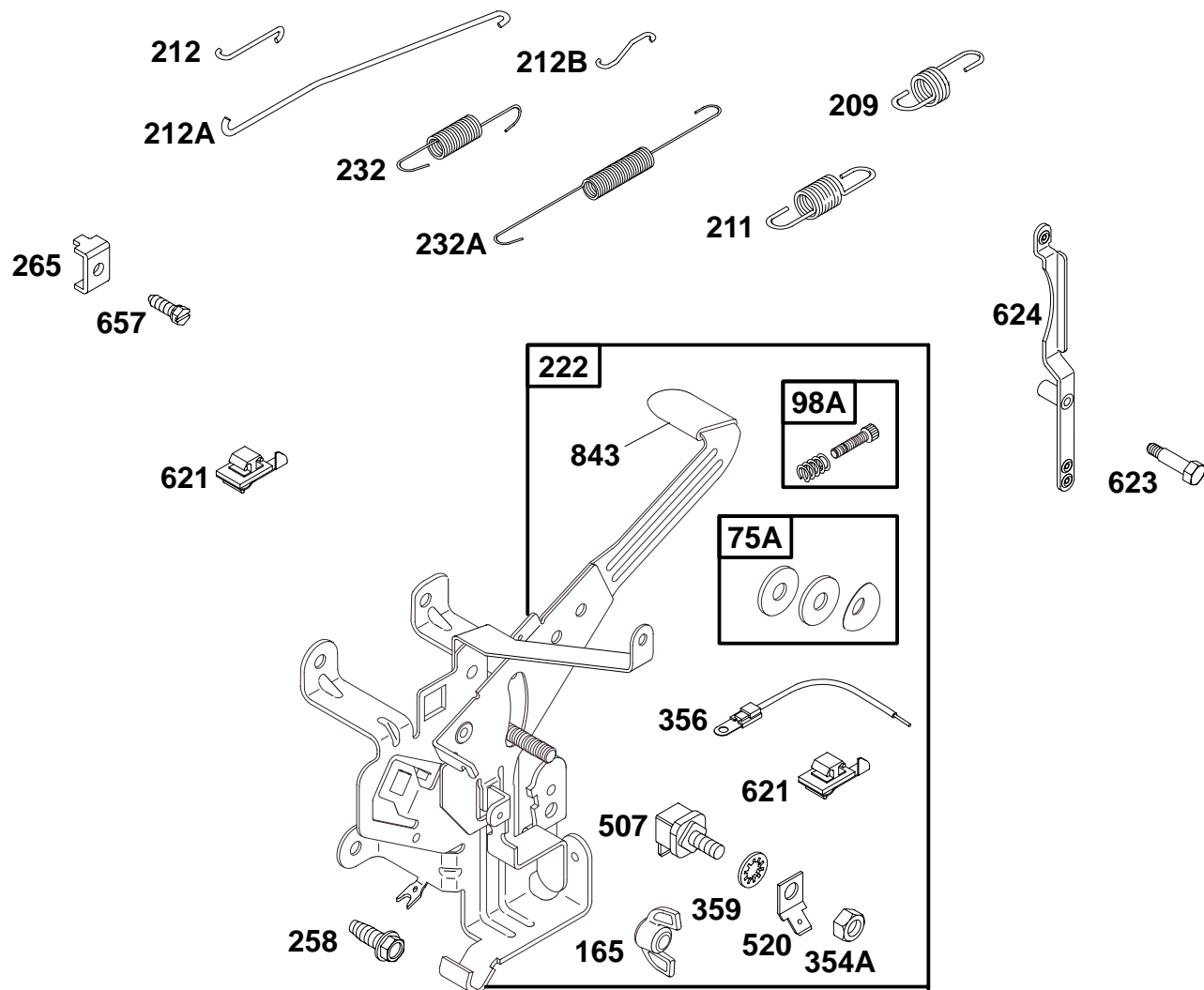


REF. NO.	PART NO.	DESCRIPTION	REF. NO.	PART NO.	DESCRIPTION	REF. NO.	PART NO.	DESCRIPTION
50	214170	Manifold-Intake	125	497581	Carburetor	142	499094	Nozzle-Carburetor (Standard LMT 171)
51	★272708	Gasket-Intake			<b>Note</b>			<b>Note</b>
51A	∅★272707	Gasket-Intake			497038 Carburetor (Used Before Code Date 94090100).			★497196 Nozzle-Carb. (Standard LMT 69, 103)
53	94778	Stud-Carb. Mounting	127	•	Plug-Welch (Sold in Kit Only)			499111 Nozzle-Carb. (High Altitude LMT 171)
93	★281346	Bushing-Throttle Shaft	130	224668	Valve-Throttle			497040 Nozzle-Carb. (High Altitude LMT 69, 103)
94	494383	Valve-Idle Adjustment	131	497579	Shaft-Throttle	147	★497472	Jet-Pilot (Used Before Code Date 96072600).
95	★94098	Screw-Choke/Throttle	131A	497042	Shaft-Throttle (LMT 69, 103)	186B	493496	Connector-Hose
98	495800	Screw-Idle Speed	133	494381	Float-Carburetor	634	★494455	Seal-Spring Assembly
104	★231789	Pin-Float Hinge	137	★281165	Gasket-Float Bowl	950	94642	Screw- Bowl Mounting
105	★231935	Valve-Needle	138	★281164	Washer	965	94010	Nut-Hex.
106	★231856	Seat-Inlet	141	497043	Shaft-Choke	975	494378	Bowl-Float
108	224540	Valve-Choke				987	★281166	Seal-Throttle Shaft
123	94616	Screw-Torx®Hex.						

★ Included in Gasket Set-Part No. 497070.  
 • Included in Carburetor Kit-See Ref. No. 121.

◆ Included in Carburetor Gasket Set-Part No. 497069.  
 ∅ Included in Valve Overhaul Gasket Set-Part No. 498534.

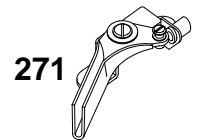
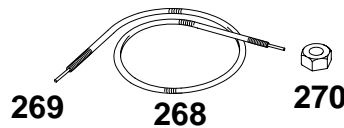
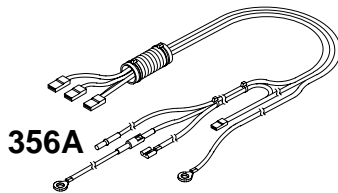
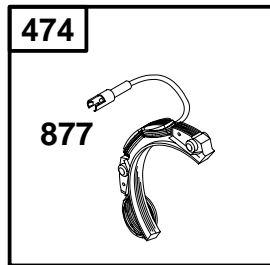
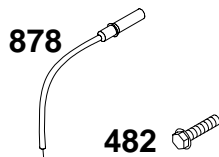
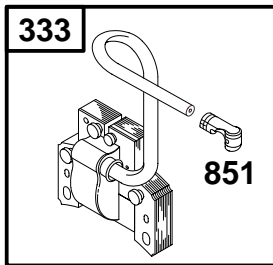
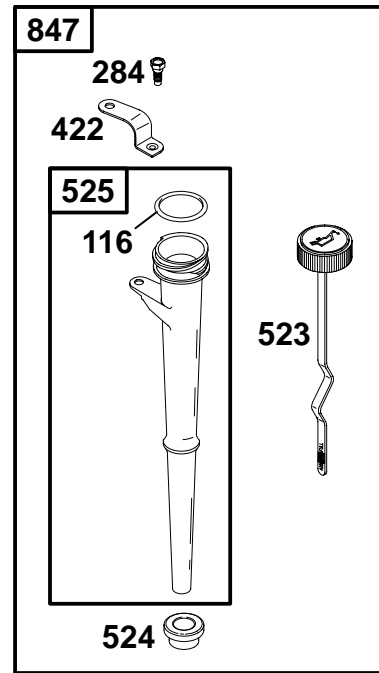
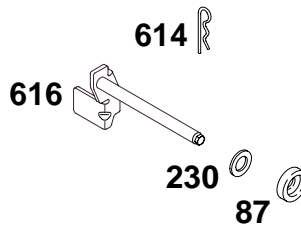
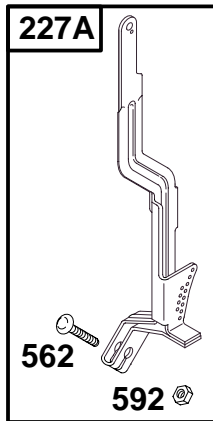
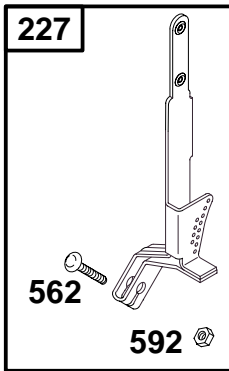
# 176400 to 176499



REF. NO.	PART NO.	DESCRIPTION	REF. NO.	PART NO.	DESCRIPTION	REF. NO.	PART NO.	DESCRIPTION
75A	495659	Washer Set	211	263182	Spring-Governed Idler	265	221535	Clamp-Casing
98A	493280	Screw-Idle Speed	212	263049	Link-Throttle	356	496868	Wire-Stop
165	94692	Nut-Wing	212A	262970	Link-Throttle	359	92791	Washer-Lock
209	263212	Spring-Governor (Used After Code Date 97042700).	212B	263051	Link-Throttle	354A	90576	Nut-Hex.
		<b>Note</b> ———	222	499103	Bracket-Control	507	398525	Insulator
		263054 Spring-Gov. (Used After Code Date 94090100 and Before Code Date 97042800).				520	93722	Terminal
		260723 Spring-Gov. (Used Before Code Date 94090200).	232	263020	Spring-Link	621	396847	Switch-Stop
			232A	262959	Spring-Link	623	231520	Screw-Shoulder
			258	94620	Screw-Hex.	624	497207	Lever-Linkage
						657	93496	Screw-Slotted Hex.
						843	280643	Sleeve-Lever

★ Included in Gasket Set-Part No. 497070.  
● Included in Carburetor Kit-See Ref. No. 121.

◆ Included in Carburetor Gasket Set-Part No. 497069.  
⊘ Included in Valve Overhaul Gasket Set-Part No. 498534.

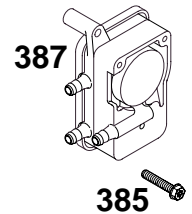
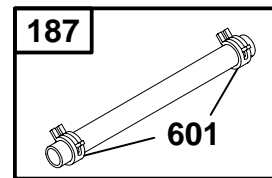
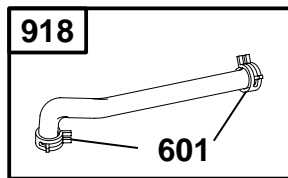
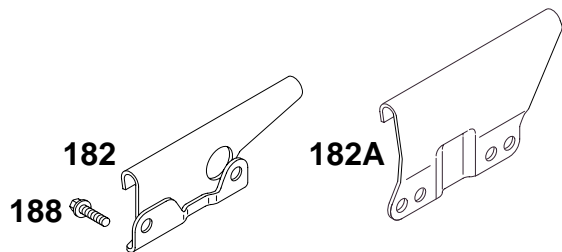
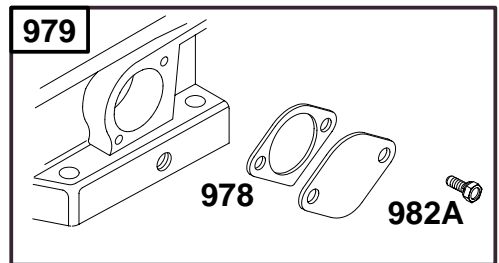
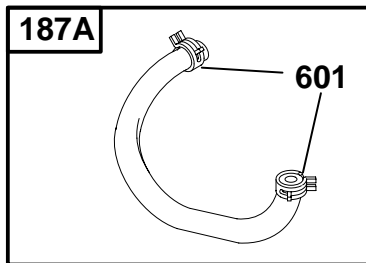
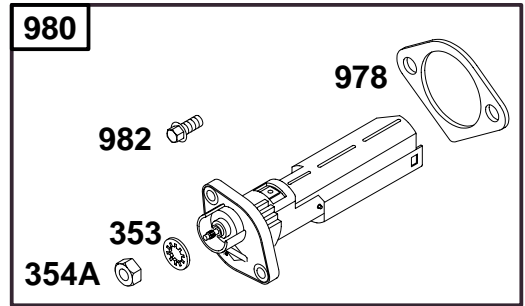
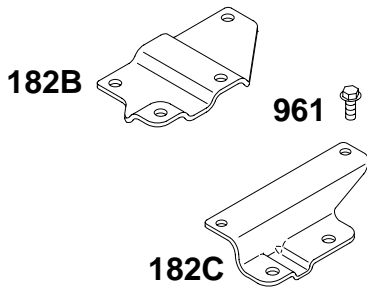
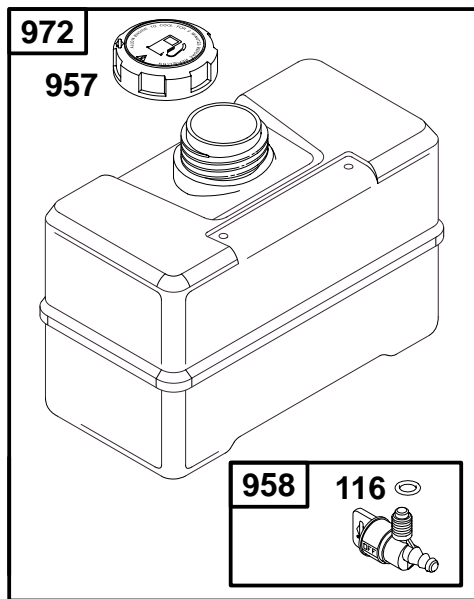


REF. NO.	PART NO.	DESCRIPTION	REF. NO.	PART NO.	DESCRIPTION	REF. NO.	PART NO.	DESCRIPTION
87	★491323	Seal-Gov. Shaft	284	93886	Screw-Shoulder	523	495225	Dipstick
116	★270920	Seal-O-Ring	333	398811	Armature-Magneto	524	★281370	Seal-Fill Tube
227	496254	Lever-Governor	334	94731	Screw-Hex.	525	495347	Tube-Oil Fill
227A	496253	Lever-Governor	356	496868	Wire-Stop	562	92613	Bolt-Governor Lever
230	94742	Washer-Flat	356A	496612	Wire-Stop	592	231082	Nut-Hex.
268	65616	Casing-Wire (72" Long Cut to Required Length)	<b>Note</b> — 496614 Wire-Stop Used on Type No(s). 0101, 0103.			614	93306	Pin-Cotter
269	26633	Wire-Control (78" Long Cut to Required Length)	422	223375	Bracket-Oil Fill	616	496818	Crank-Governor
270	63426	Locknut-Casing	474	391529	Alternator	847	399901	Dipstick/Tube Assembly
271	290568	Lever-Control	482	93621	Screw-Hex.	851	493880	Terminal-Cable
						877	393814	Wire-Alternator
						878	393422	Harness-Alternator

★ Included in Gasket Set-Part No. 497070.  
 ● Included in Carburetor Kit-See Ref. No. 121.

◆ Included in Carburetor Gasket Set-Part No. 497069.  
 ⊙ Included in Valve Overhaul Gasket Set-Part No. 498534.

# 176400 to 176499

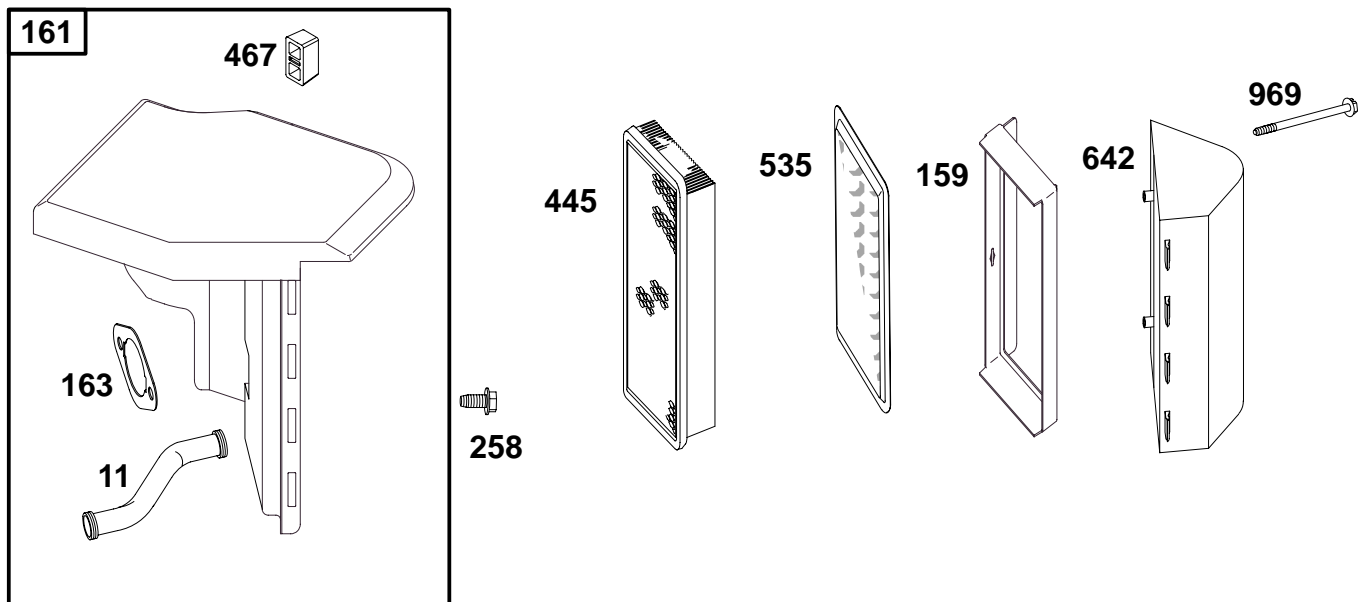


REF. NO.	PART NO.	DESCRIPTION	REF. NO.	PART NO.	DESCRIPTION	REF. NO.	PART NO.	DESCRIPTION
116	280203	Seal-O-Ring	187A	497029	Line-Fuel	972	493337	Tank-Fuel
182	224855	Bracket-Fuel Tank	188	94627	Screw-Hex.	978	★271736	Gasket
182A	492990	Bracket-Fuel Tank	353	92791	Washer-Lock	979	494807	Cover-OIL GARD®
182B	224854	Bracket-Fuel Tank	354A	90576	Nut-Hex.	980	398182	OIL GARD® Kit
182C	495664	Bracket-Fuel Tank	385	94789	Screw-Hex.	982	94657	Screw-Hex.
		<b>Include(s):</b>	387	496257	Pump-Fuel	982A	94658	Screw-Hex.
		94733 Stud-Hex.	601	93053	Clamp-Hose			
		Drive	918	497457	Hose-Vacuum			
		94726 Nut-Hex.	957	493988	Cap-Fuel Tank			
187	296004	Line-Fuel (Cut to Required Length)	958	399517	Valve-Shut-Off			
			961	94095	Screw-Hex.			

★ Included in Gasket Set-Part No. 497070.  
● Included in Carburetor Kit-See Ref. No. 121.

◆ Included in Carburetor Gasket Set-Part No. 497069.  
⊘ Included in Valve Overhaul Gasket Set-Part No. 498534.



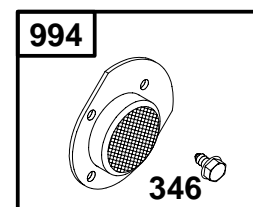
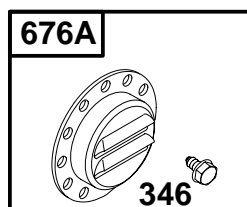
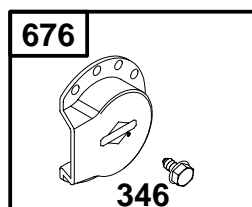
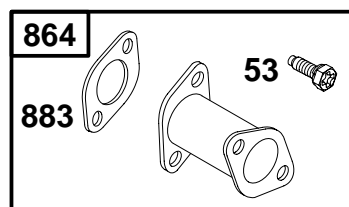
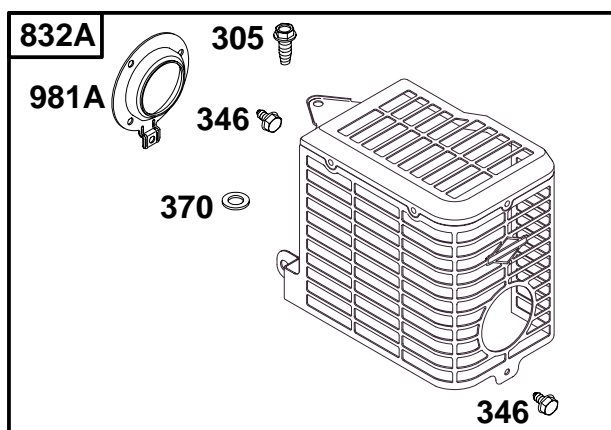
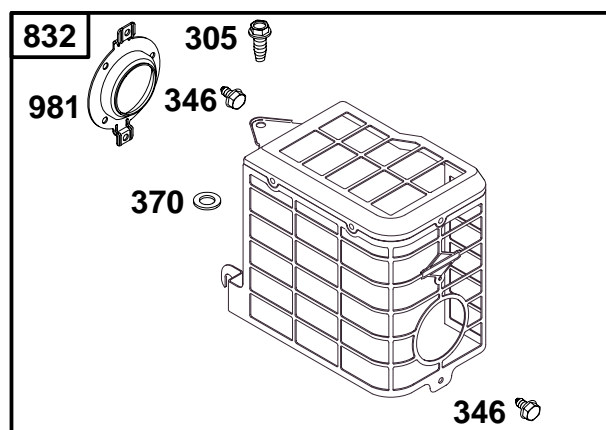
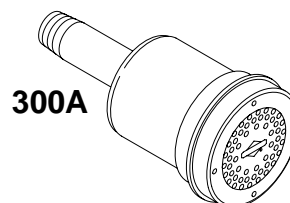
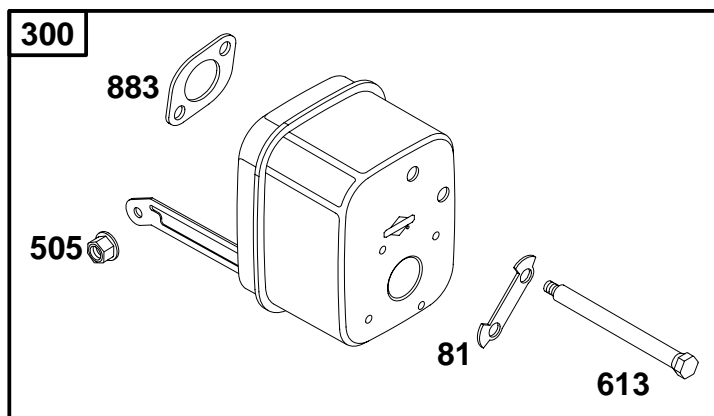


REF. NO.	PART NO.	DESCRIPTION	REF. NO.	PART NO.	DESCRIPTION	REF. NO.	PART NO.	DESCRIPTION
11	280819	Tube-Breather	163	★273101	Gasket-Air Cleaner	445	496077	Filter-Air
159	281358	Support-Air Cleaner			<b>Note</b>	467	280715	Knob-Control
161	497669	Base-Air Cleaner			★272706	492889	Filter-Air	
		<b>Note</b>				642	281357	Cover-Air Cleaner
		498544 Base-Air Cleaner (Used Before Code Date 95010200).			(Used Before Code Date 95010200).	969	94777	Screw-Slotted Hex.
			258	94620	Screw-Hex.			

★ Included in Gasket Set-Part No. 497070.  
● Included in Carburetor Kit-See Ref. No. 121.

◆ Included in Carburetor Gasket Set-Part No. 497069.  
⊘ Included in Valve Overhaul Gasket Set-Part No. 498534.

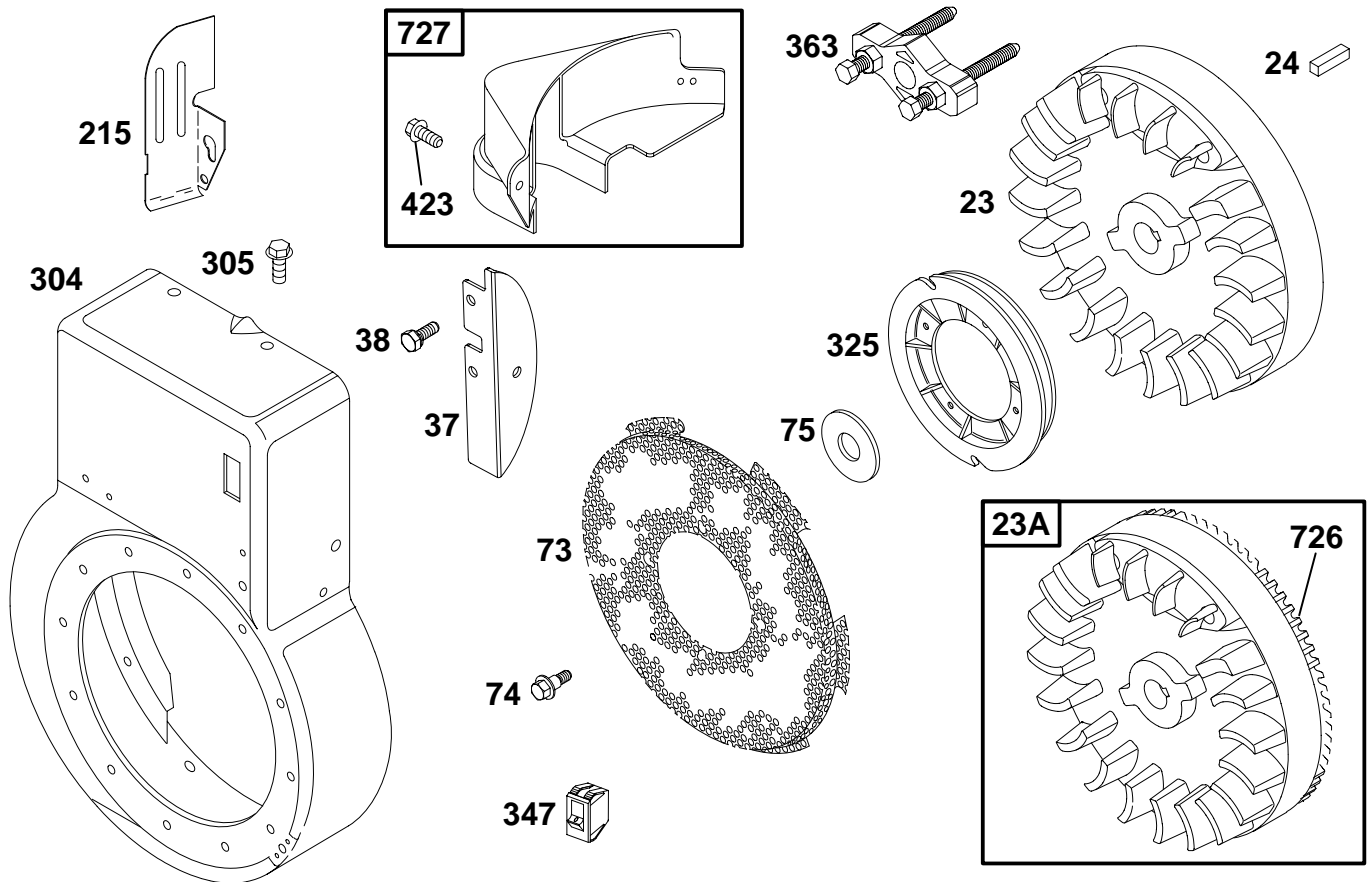
# 176400 to 176499



REF. NO.	PART NO.	DESCRIPTION	REF. NO.	PART NO.	DESCRIPTION	REF. NO.	PART NO.	DESCRIPTION
53	94706	Screw-Torx® Hex.	370	94856	Washer	832A	496739	Guard-Muffler
81	22263	Lock-Muffler Screw	505	94726	Nut-Hex.	864	497140	Adapter-Muffler
300	497141	Muffler-Exhaust	613	94054	Screw-Shoulder	883	∅*272309	Gasket-Exhaust
300A	496127	Muffler-Exhaust	676	393757	Deflector-Muffler	981	225214	Bracket-Muffler
305	94786	Screw-Hex.	676A	393758	Deflector-Muffler	981A	225006	Bracket-Muffler
346	93705	Screw-Hex.	832	498236	Guard-Muffler	994	399541	Arrester-Spark

★ Included in Gasket Set-Part No. 497070.  
 ● Included in Carburetor Kit-See Ref. No. 121.

◆ Included in Carburetor Gasket Set-Part No. 497069.  
 ∅ Included in Valve Overhaul Gasket Set-Part No. 498534.

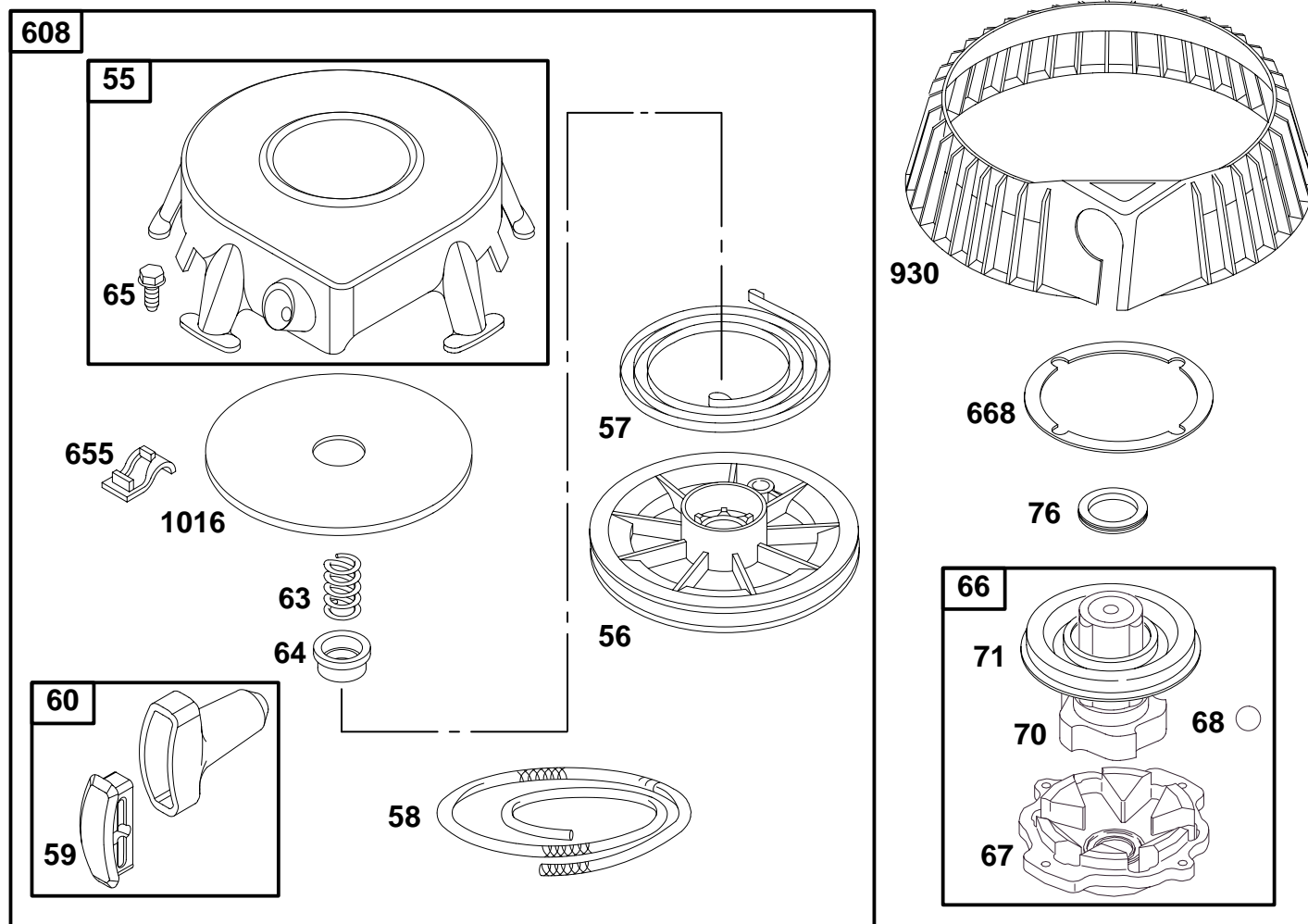


REF. NO.	PART NO.	DESCRIPTION	REF. NO.	PART NO.	DESCRIPTION	REF. NO.	PART NO.	DESCRIPTION
23	298260	Flywheel	215	221760	Guide-Air	325	280457	Pulley-Starter
23A	391983	Flywheel	304	497142	Housing-Blower	347	495098	Switch-Rocker
24	222698	Key-Flywheel			<b>Note</b>	363	19203	Flywheel Puller
37	222475	Guard-Flywheel			497143 Housing-Blower	423	94625	Screw-Shoulder
38	94811	Screw-Hex.			Used on Type No(s). 0114.	726	392134	Gear-Ring (Includes Mtg. Parts)
73	224874	Screen-Rotating	305	94786	Screw-Hex.	727	395405	Cover-Starter Drive
74	94806	Screw-Shoulder						
75	224061	Washer-Flywheel						

★ Included in Gasket Set-Part No. 497070.  
 ● Included in Carburetor Kit-See Ref. No. 121.

◆ Included in Carburetor Gasket Set-Part No. 497069.  
 ◊ Included in Valve Overhaul Gasket Set-Part No. 498534.

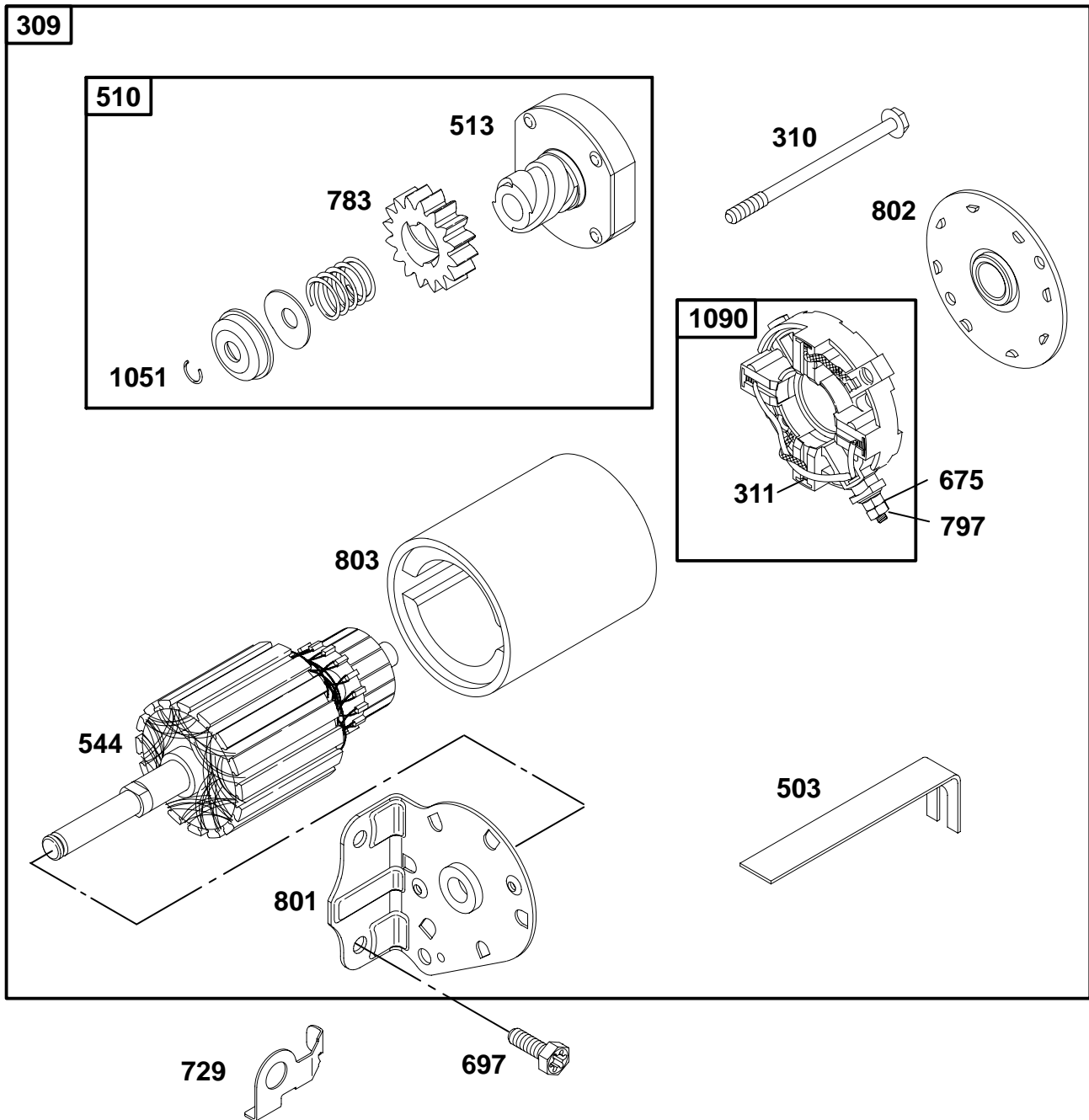
# 176400 to 176499



REF. NO.	PART NO.	DESCRIPTION	REF. NO.	PART NO.	DESCRIPTION	REF. NO.	PART NO.	DESCRIPTION
55	393576	Housing—Rewind Starter	63	260414	Spring—Ratchet	71	394506	Cover—Ratchet
56	295871	Pulley—Starter	64	281204	Adapter—Spring	76	68238	Seal
57	490179	Spring—Rewind Starter	65	94686	Screw—Hex.	608	390391	Starter—Rewind
58	66884	Rope—Starter (63" Long)	66	399671	Clutch—Starter	655	222598	Anchor—Spring
59	490653	Insert—Grip	67	394897	Housing—Clutch	668	225124	Spacer
60	490652	Grip—Starter Rope	68	63770	Ball—Clutch	930	280685	Guard—Rewind
			70	298799	Ratchet—Clutch	1016	490817	Spacer—Rewind

★ Included in Gasket Set—Part No. 497070.  
 ● Included in Carburetor Kit—See Ref. No. 121.

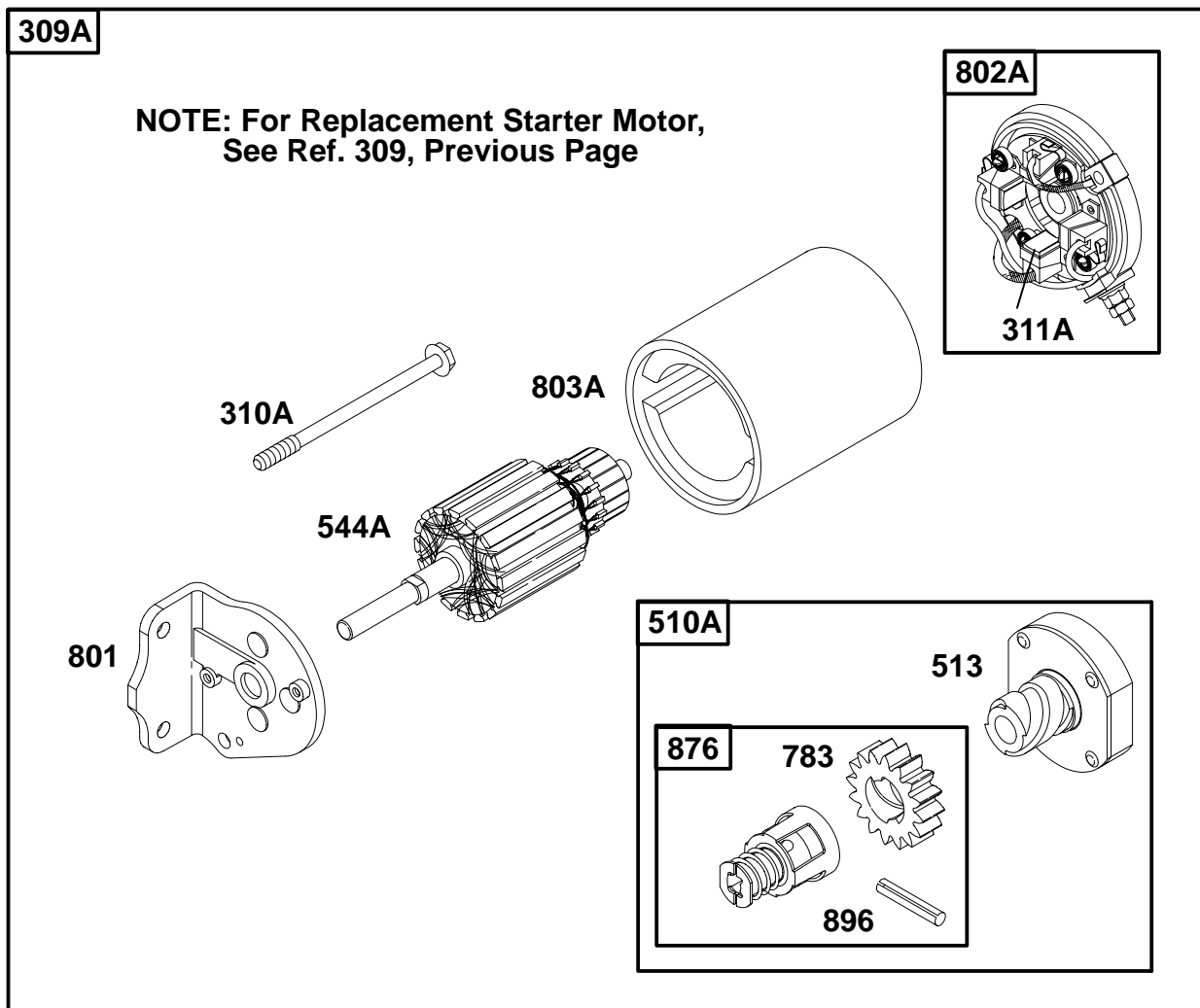
◆ Included in Carburetor Gasket Set—Part No. 497069.  
 ∅ Included in Valve Overhaul Gasket Set—Part No. 498534.



REF. NO.	PART NO.	DESCRIPTION	REF. NO.	PART NO.	DESCRIPTION	REF. NO.	PART NO.	DESCRIPTION
309	693054	Motor-Starter (3 5/8" Housing Lgth.)	544	497603	Armature-Starter (3 5/8" Housing Lgth.)	797	92278	Nut (Starter Terminal)
310	94003	Bolt (Starter Motor) (3 5/8" Housing Lgth.)	675	225137	Washer (Starter Motor)	801	394856	Cap-Drive
311	497608	Brush Set	697	94773	Screw (Starter Motor Mounting)	802	497607	Cap-End
503	806000	Strap-Starter	729	225170	Clip-Wire	803	497604	Housing-Starter (3 5/8" Housing Lgth.)
510	497606	Drive-Starter	783	693059	Gear-Starter	1051	263080	Ring-Retainer
513	398003	Clutch-Drive				1090	497605	Retainer-Brush

★ Included in Gasket Set-Part No. 497070.  
● Included in Carburetor Kit-See Ref. No. 121.

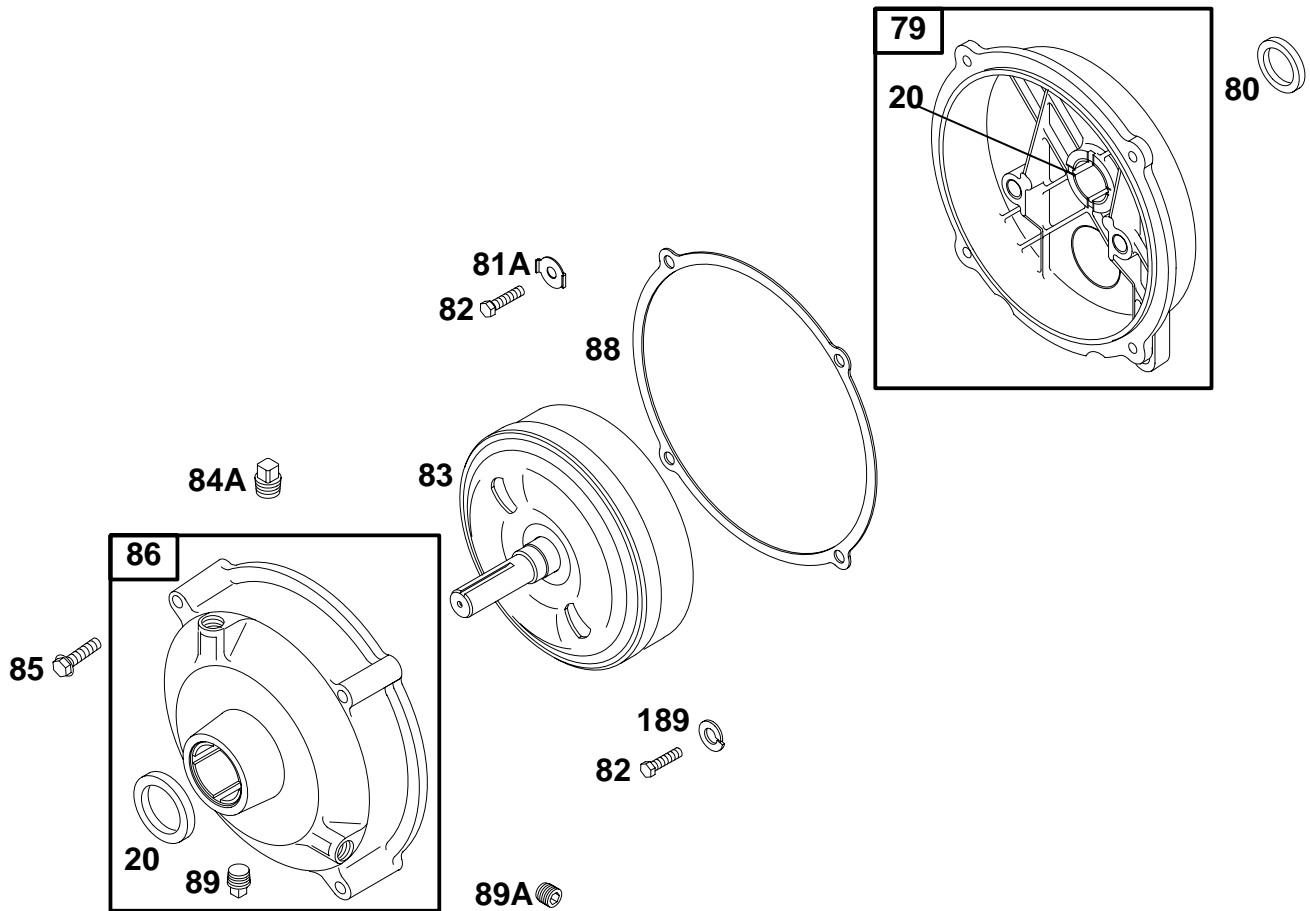
◆ Included in Carburetor Gasket Set-Part No. 497069.  
⊘ Included in Valve Overhaul Gasket Set-Part No. 498534.



REF. NO.	PART NO.	DESCRIPTION	REF. NO.	PART NO.	DESCRIPTION	REF. NO.	PART NO.	DESCRIPTION
<b>309A</b>		<b>For Replacement Starter Motor, See Ref 309, Previous Page.</b>						
<b>310A</b>	<b>94003</b>	Bolt. (Starter Motor) (For 3 5/8" Housing Length )	<b>503</b>	<b>806000</b>	Lengths ) Strap-Starter	<b>783</b>	<b>693059</b>	Gear-Starter
<b>311A</b>	<b>395538</b>	Brush Set (For 3 5/8" Housing	<b>510A</b>	<b>495878</b>	Drive-Starter	<b>801</b>	<b>394856</b>	Cap-Drive
			<b>513</b>	<b>398003</b>	Clutch-Drive	<b>802A</b>	<b>395537</b>	Cap-End (For 3 5/8" Housing Length)
			<b>544A</b>	<b>390837</b>	Armature-Starter (For 3 5/8" Housing Length)	<b>803A</b>	<b>398159</b>	Housing-Starter (For 3 5/8" Housing Length)
			<b>697</b>	<b>94773</b>	Screw (Starter Motor Mounting)	<b>876</b>	<b>495877</b>	Kit-Gear
						<b>896</b>	<b>94288</b>	Pin-Roll

★ Included in Gasket Set-Part No. 497070.  
● Included in Carburetor Kit-See Ref. No. 121.

◆ Included in Carburetor Gasket Set-Part No. 497069.  
⊘ Included in Valve Overhaul Gasket Set-Part No. 498534.

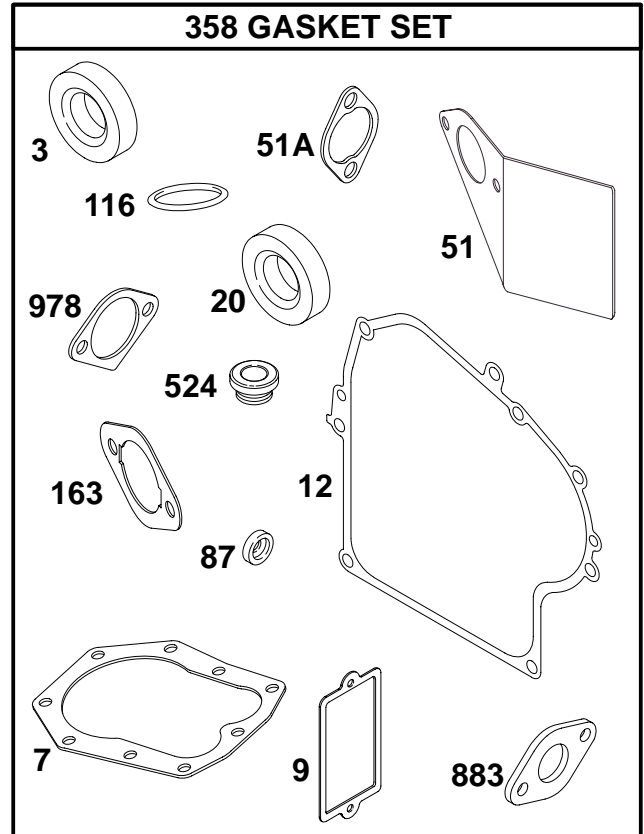
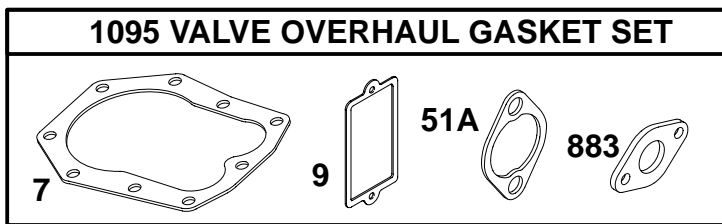
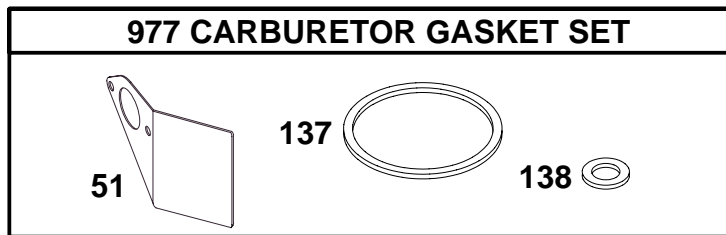
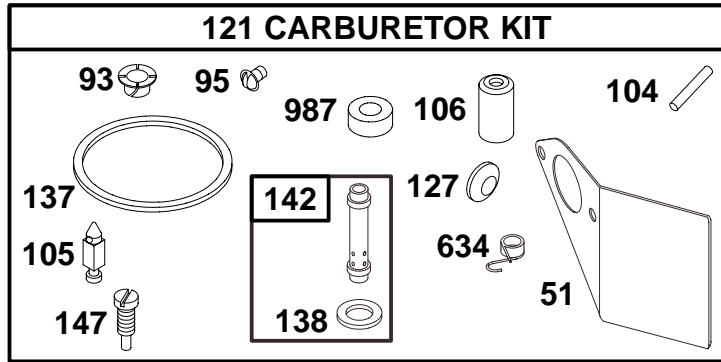


REF. NO.	PART NO.	DESCRIPTION	REF. NO.	PART NO.	DESCRIPTION	REF. NO.	PART NO.	DESCRIPTION
20	★391086	Seal-Oil	83	495985	Shaft-Auxiliary Drive	88	27328	Gasket-Cover
79	296179	Case-Reduction Gear	84A	94918	Plug-Breather	89	91488	Plug-Oil Drain
80	27884	Gasket-Gear Case	85	91386	Screw-Hex.	89A	94886	Plug-Oil Drain
81A	220234	Lock-Screw Head	86	296053	Cover Assembly-Gear	189	90366	Washer-Lock
82	92502	Screw-Hex.						

★ Included in Gasket Set-Part No. 497070.  
 ● Included in Carburetor Kit-See Ref. No. 121.

◆ Included in Carburetor Gasket Set-Part No. 497069.  
 ∅ Included in Valve Overhaul Gasket Set-Part No. 498534.

# 176400 to 176499



REF. NO.	PART NO.	DESCRIPTION	REF. NO.	PART NO.	DESCRIPTION	REF. NO.	PART NO.	DESCRIPTION
3	★391086	Seal—Oil	105	●231935	Valve—Needle	163	★273101	Gasket—Air Cleaner (LMT 69, 103)
7	∅★272163	Gasket—Cylinder Head	106	●231856	Seat—Inlet			<b>Note</b>
9	∅★27803	Gasket—Breather	116	★270920	Seal—O-Ring			★272706 Gasket—Air Cleaner
12	★271701	Gasket—Crankcase (.015" Thick)	121	497578	Carburetor Kit			(Used Before Code Date 95010200).
		<b>Note</b>			<b>Note</b>			
		★27876 Gasket—Crankcase (.005" Thick)			497041 Carburetor Kit (Used Before Code Date 94090100).	358	497070	Gasket Set
		★27877 Gasket—Crankcase (.009" Thick)	127	●	Plug—Welch (Sold in Kit Only)	524	★281370	Seal—Fill Tube
20	★391086	Seal—Oil	137	●★281165	Gasket—Float Bowl	634	●494455	Seal—Spring Assembly
51	●★272708	Gasket—Intake	138	●★281164	Washer	883	∅★272309	Gasket—Exhaust
51A	∅★272707	Gasket—Intake	142	●497196	Nozzle—Carburetor (Standard LMT 69, 103)	977	497069	Gasket Set—Carburetor
87	★491323	Seal—Gov. Shaft	147	●497472	Jet—Pilot	978	★271736	Gasket (Oil Switch)
93	●281346	Bushing—Throttle Shaft				987	●281166	Seal—Throttle Shaft
95	●94098	Screw—Choke/Throttle				1095	498534	Gasket Set—Valve Overhaul
104	●231789	Pin—Float Hinge						

★ Included in Gasket Set—Part No. 497070.  
● Included in Carburetor Kit—See Ref. No. 121.

◆ Included in Carburetor Gasket Set—Part No. 497069.  
∅ Included in Valve Overhaul Gasket Set—Part No. 498534.