

190700 to 190799

Illustrated Parts List

Model Series

190700 to 190799

TYPE NUMBERS
1015 through 1026
1110 through 1186
5515 through 5528
5625 through 5643

TO FIND

THE CORRECT NUMBER OF THE PART YOU NEED:

FOLLOW THE INSTRUCTIONS BELOW

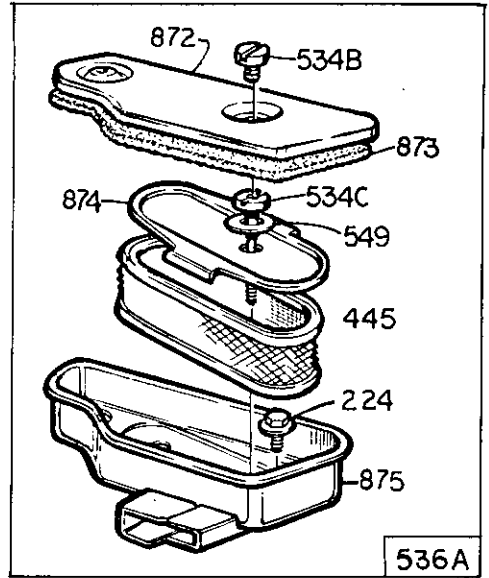
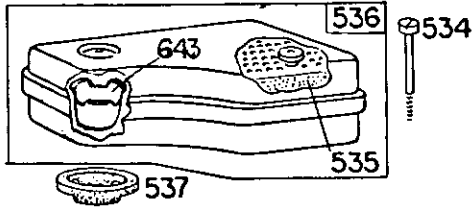
- A. Refer to Engine Model, Type and Code Number that is stamped on the blower housing of engine. Engine type numbers such as 5515 01 are listed herein only as 5515. The two digits (01 or 02, etc.) to the right of the space are not needed for parts identification. Then use the Illustrated Parts List covering the Model Series.
- B. Refer to Illustrated Parts section and compare the old part with illustration. The number on the illustration is the Reference Number. Assemblies include all parts shown in frames. All parts shown in assembly frames on which individual reference numbers are given can be purchased separately.
- C. After the Reference Number has been identified, refer to the Numerical Parts List, where Reference and Master Part Numbers are listed. **THE MASTER PART IS USED ON ALL TYPE NUMBERS EXCEPT THOSE TYPE NUMBERS UNDER "NOTE".**
- D. If a "Note" appears below the Master Part Number, this means that this part differs from the Master Part for certain types. If the Type Number is listed under "Note", order the part referred to.
- E. If the Engine Type Number does not appear after any part number listed under "Note", use the Master Part Number.
- F. For Type Numbers higher than those covered by this book, please refer to the factory if you are unable to identify the part by comparison.

PRINTED IN U.S.A.

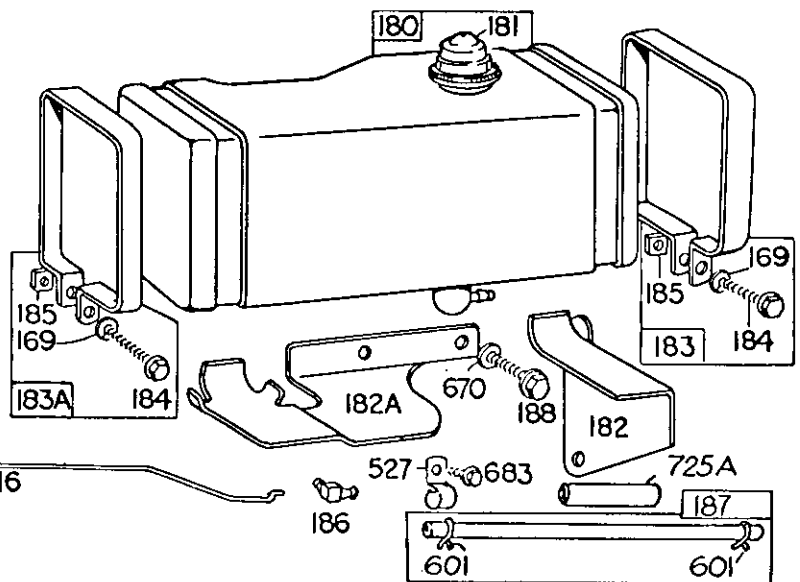
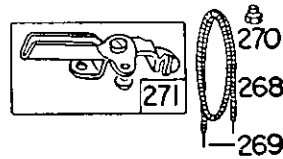
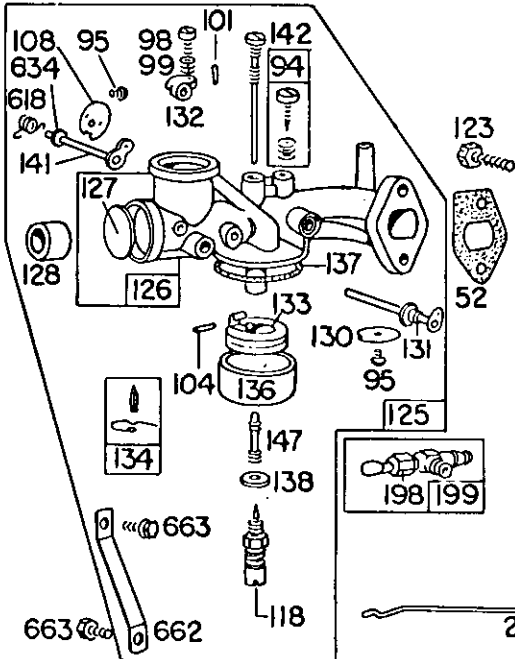


COPYRIGHT ©

190700 to 190799



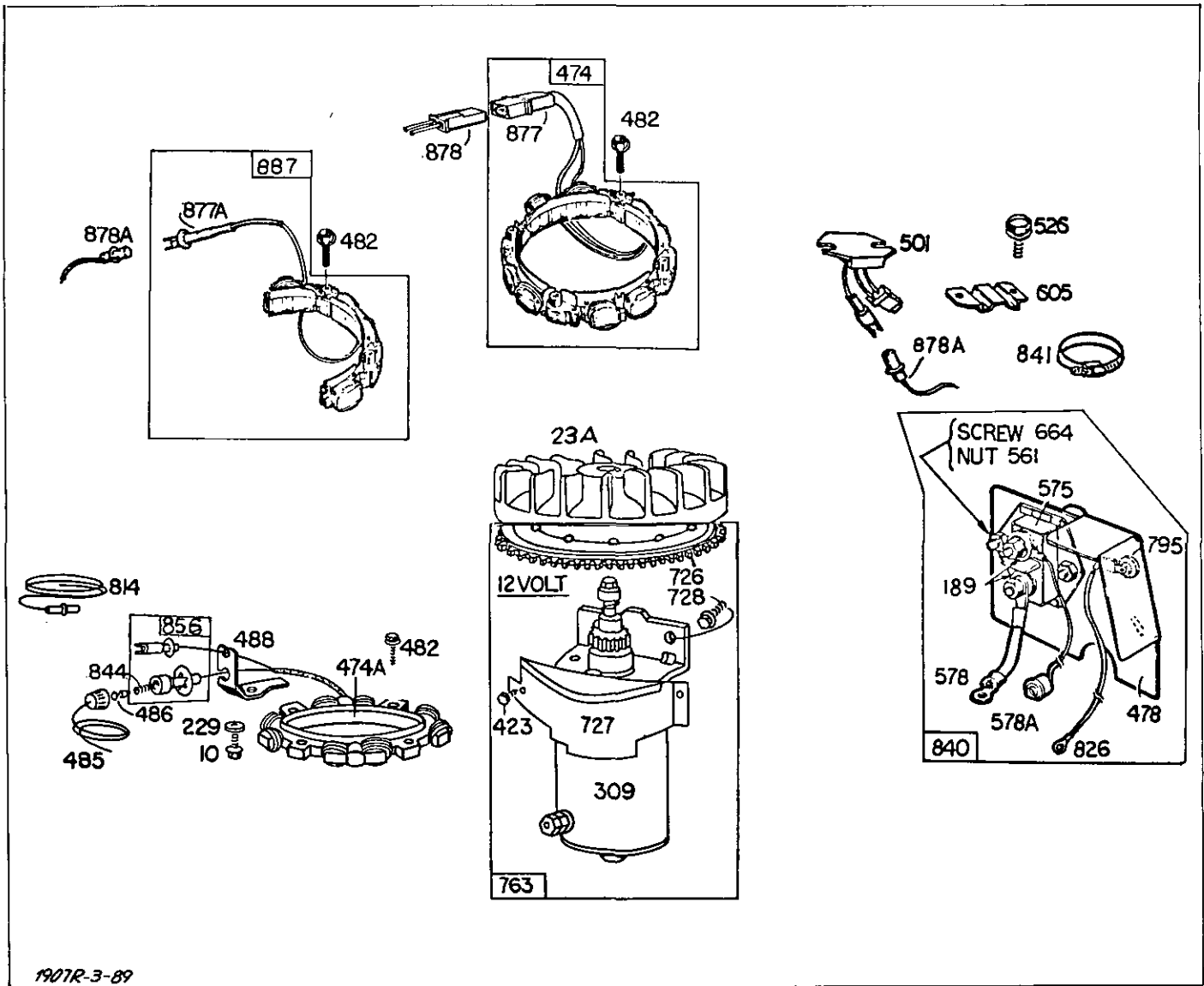
I2I CARBURETOR OVERHAUL KIT



1907R-2-89

Assemblies include all parts shown in frames.

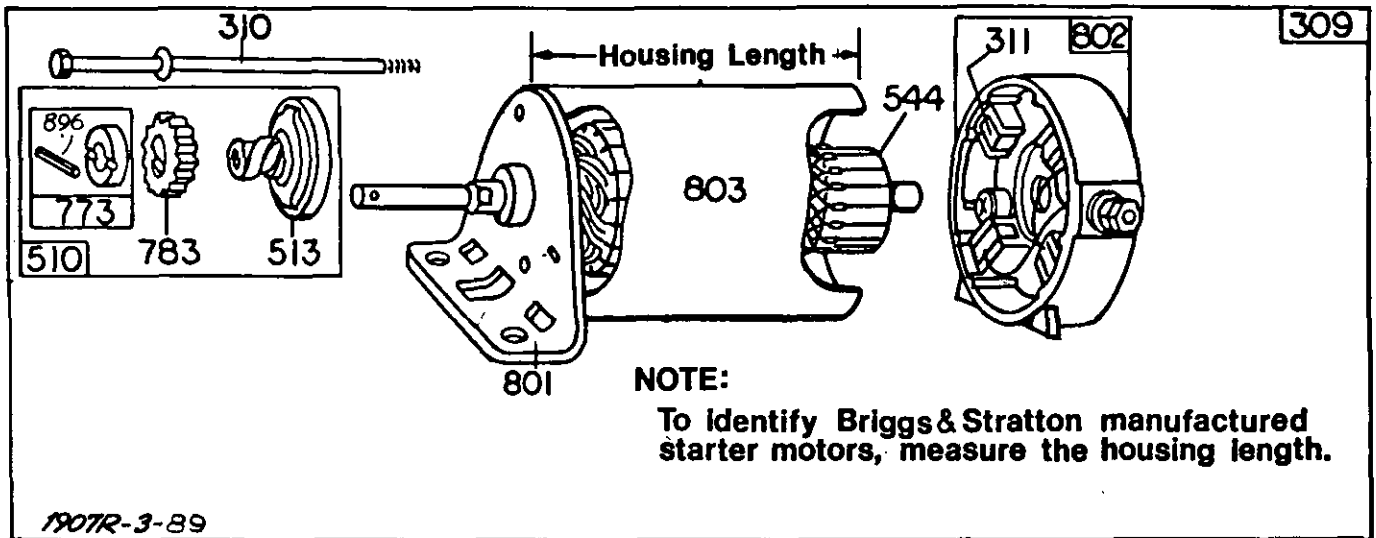
190700 to 190799



1907R-3-89

Assemblies include all parts shown in frames.

190700 to 190799



Subject		Ref. No. 309	Ref. No. 510	Ref. No. 801	Ref. No. 544	Ref. No. 803	Ref. No. 802	Ref. No. 311	Ref. No. 310
Starter Motor Mfr. and Motor Model Number		Motor and Drive Assy.	Drive Assembly	End Cap Assy. Drive	Armature Assembly	Housing Assembly	End Cap Assy. Commutator*	Brush Assembly	Thru Bolt Assembly
Briggs & Stratton	Housing Length								
12V	3-1/16"	392749	391461**	392061	392747	392744	390846*	391705	391706

*Includes Brush Set

**Includes #391135 Clutch Assembly (Ref. No. 513)
 #280104 Gear (Ref. No. 783)
 #391462 Retainer and Pin (Ref. No. 773)
 #93754 Roll Pin (Ref. No. 896)

190700 to 190799

REF. NO. I - 29

REF. NO.	PART NO.	DESCRIPTION	REF. NO.	PART NO.	DESCRIPTION	REF. NO.	PART NO.	DESCRIPTION
1	392004	Cylinder Assembly		22963	Washer			(Includes aluminum ring gear). For use only with starter motors with Plastic Drive Gear.
2	295962	Bushing—Cylinder			Used on type Nos. 1018, 5518, 5519, 5527, 5528, 5626, 5641, 5642.			Note: 392034 Flywheel and Ring Gear Assy. — Magneto
3	294606	Seal—Oil	15	91084	Plug—Oil Drain			For use only on electric starter engines <i>WITHOUT ALTERNATOR</i>
5	212286	Head—Cylinder		Note: 93448	Plug—Oil Drain (Hex. Socket)			(Includes aluminum ring gear). For use only with starter motors with Plastic Drive Gear.
7	♦270430	Gasket—Cylinder Head			Used on type Nos. 1151, 1153.			
8	299848	Breather Assembly	16	261038	Crankshaft			
	Note: 391406	Breather Assy. Used on type Nos. 5515, 5516, 5517, 5518, 5519, 5525, 5526, 5527, 5528, 5625, 5626, 5627, 5628, 5629, 5630, 5631, 5632, 5633, 5634, 5635, 5636, 5637, 5638, 5639, 5640, 5641, 5642, 5643.		Note: 261083	Crankshaft Used on type Nos. 1146, 1147, 1148, 1158, 1159, 1177, 1179, 1180, 5519, 5528.			
9	♦27803	Gasket—Valve Cover		261084	Crankshaft			
10	93394	Screw—Sem			Used on type Nos. 1018, 1130, 1132, 1145, 1152, 1167, 5518.			
11	280005	Tube—Breather		261157	Crankshaft			
12	♦27750	Gasket—Crankcase Cover—1/64" thick			Used on type Nos. 1127, 1128, 1129, 1131, 1133, 1185, 5527, 5626, 5628, 5631, 5638.			
	♦27876	Gasket—Crankcase Cover—.005" thick		261226	Crankshaft			
	♦27877	Gasket—Crankcase Cover—.009" thick			Used on type Nos. 1143, 1144, 1157, 1170, 1171.			
13	93211	Screw—Cylinder Head (2-21/32" long)	18	392548	Sump—Oil			
	Note: 93776	Stud—Cylinder Head		Note: 390479	Sump—Oil			
	22963	Washer			Used on type Nos. 1151, 1153.			
		Used on type Nos. 1133, 1136, 1137, 1143, 1144, 1170, 1171, 1186, 5515, 5518, 5519, 5526, 5527, 5528, 5625, 5626, 5632, 5641, 5642.	19	295963	Bushing—Oil Sump			
				Note:	Requires special tools for installation.			
14	93723	Screw—Cylinder Head (3" long)	20	391086	Seal—Oil			
	Note: 93781	Stud—Cylinder Head	21	66768	Plug—Oil Filler			
			22	93585	Screw—Sump Mtg. Sem			
			23	298260	Flywheel—Magneto			
			23A	391983	Flywheel and Ring Gear Assy.—Magneto			
					For use on engines <i>WITH ALTERNATOR</i> .			
						24	61760	Key—Flywheel
						25	391673	Piston Assy.—Std.
							391674	Piston Assembly—.010" O. S.
							391675	Piston Assembly—.020" O. S.
							391676	Piston Assembly—.030" O. S.
						PISTON RING SETS:		
						Note:	For Chrome Piston Ring Set — Standard Size — order No. 299743.	
						26	391669	Ring Set—Piston—Std.
							391670	Ring Set—Piston—.010" O. S.
							391671	Ring Set—Piston—.020" O. S.
							391672	Ring Set—Piston—.030" O. S.
						27	68546	Lock—Piston Pin
						28	295840	Pin Assy.—Piston—Standard
							295841	Pin Assy.—Piston—.005" O. S.
						29	390402	Rod Assembly—Connecting
						Note:	For Connecting Rod with .020" undersize Crankpin Bearing — order No. 390773.	

♦ Included in Gasket Set—
Part No. 299577.

REF. NO.	PART NO.	DESCRIPTION	REF. NO.	PART NO.	DESCRIPTION	REF. NO.	PART NO.	DESCRIPTION
31	222114	Lock—Connecting Rod Screw	63	260414	Spring—Ratchet	104	‡230896	Pin—Float Hinge
32	92659	Screw—Conn. Rod	64	230543	Adapter—Ratchet	108	222010	Valve—Choke
33	390419	Valve—Exhaust	65	93067	Screw—Stamped Steel Rewind Starter Housing Mounting	118	‡391233	Valve—Needle
34	261055	Valve—Intake	66	298798	Clutch Assembly—Rewind Starter	121	299852	Carburetor Overhaul Kit
35	65906	Spring—Intake Valve	66A	393117	Clutch Assy.—Rewind Starter	123	93357	Screw—Carburetor Mounting
36	26826	Spring—Exhaust Valve			For engines with Ring Gear on Flywheel equipped for or with Electric Motor.	125	390811	Carburetor Assembly (Choke-A-Matic)
37	222475	Guard—Flywheel	67	212132	Housing—Rewind Starter Clutch		Note:	390411 Carb. Assy. (Manual Choke)
38	93777	Screw—Sem	67A	261453	Housing—5/8-18 Thread			Used on type Nos. 1016, 1110, 1111, 1114, 1115, 1125, 1135, 1149, 1156, 1160, 1161, 1165, 5516, 5630, 5633, 5639, 5640.
40	221596	Retainer—Intake Valve			For engines with Ring Gear on Flywheel equipped for or with Electric Motor.	126	299851	Body Assy.—Lower Carburetor
41	292260	Rotocoil—Exhaust Valve	68	63770	Ball—Clutch	127	221997	Plug—Welch
42	93630	Retainer—Exhaust Valve Rotocoil (2)	69	66718	Washer—Starter Clutch, Thrust	128	211682	Venturi—Carburetor
45	260933	Tappet—Valve	70	298799	Ratchet—Rewind Starter Clutch	130	221986	Valve—Throttle
46	211689	Gear—Cam	71	221653	Washer—Retainer	131	391512	Shaft and Lever—Throttle
52	‡270538	Gasket—Carburetor Mounting	73	221796	Screen—Rewind Starter	132	211712	Stop—Throttle
	Note:	270824 Gasket—Carburetor Mounting	74	93042	Screw—Sem	133	299707	Float—Carburetor
		Used on type Nos. 5515, 5516, 5517, 5518, 5519, 5525, 5526, 5527, 5528, 5625, 5626, 5627, 5628, 5629, 5630, 5631, 5632, 5633, 5634, 5635, 5636, 5637, 5638, 5639, 5640, 5641, 5642, 5643.	75	220865	Washer—Spring	134	‡299096	Valve—Fuel Inlet
55	393576	Housing—Rewind Starter	76	68238	Washer—Ratchet Sealing	136	221995	Bowl—Float
56	295871	Pulley—Rewind Starter	78	93808	Screw—Sem	137	‡270511	Gasket—Float Bowl
	Note:	Includes 63" Rope; if longer Rope is required, order Rope No. 66894 and cut to required length.	81	222263	Lock—Muffler Screw	138	‡222014	Washer—Float Bowl
57	294303	Spring—Rewind Starter		Note:	222265 Lock—Muffler Screw	141	390684	Shaft and Lever Choke
58	66884	Rope—Rewind Starter—63" long for use with Plastic Pulley; if longer Rope is needed, order No. 66894 and cut to required length.			Used on type Nos. 1168, 1175.		Note:	299647 Shaft and Lever—Manual Choke
59	230228	Pin—Starter Grip	94	‡292681	Valve Assembly—Carburetor Idle		Uses:	23270 Screw—Choke Lever
60	66728	Grip—Starter Rope	95	93499	Screw—Throttle and Choke Valve Mtg. Sem			26229 Spring—Choke Lever
			98	91920	Screw—Machine, Fill. Hd. 8-32 x 5/8"			220899 Washer—Choke Lever
			99	26157	Spring—Throttle Adjustment			Used on type Nos. 1016, 1110, 1111, 1114, 1115, 1125, 1135, 1149, 1156, 1160, 1161, 1165, 5516, 5630, 5633, 5639, 5640.
			101	93043	Pin—Throttle Stop			

‡ Included in Gasket Set—Part No. 299577.

‡ Included in Carburetor Overhaul Kit—Part No. 299852.

190700 to 190799

REF. NO. 142 - 304

REF. NO.	PART NO.	DESCRIPTION	REF. NO.	PART NO.	DESCRIPTION	REF. NO.	PART NO.	DESCRIPTION
142	‡299740	Nozzle—Carburetor	219	392718	Oil Slinger, Gov. Gear and Bracket Assembly	300A	391313	Muffler—Exhaust
147	‡230932	Screw—Nozzle					Note: 390147	Muffler—Exhaust
169	90832	Washer—Lock—1/4" x 3/32" x 5/64"	222	390662	Plate—Gov. Control			Used on type Nos. 1168, 1175.
180	390225	Tank Assy.—Fuel (3 Quart)		Note: 390661	Plate—Gov. Control			391370
181	392300	Cap—Fuel Tank			Used on type Nos. 1016, 1110, 1111, 1114, 1115, 1125, 1135, 1149, 1156, 1160, 1161, 1165, 5516, 5630, 5633, 5639, 5640.			Exhaust
182	222813	Bracket—Fuel Tank, R. H.	224	93067	Screw—Sem	300B	392101	Muffler—Exhaust (Super Lo-Tone)
182A	222112	Bracket—Fuel Tank, L. H.	225	231058	Crank—Governor (1/4" Dia.)	302	261409	Locknut—Muffler and Elbow
	Note: 222194	Bracket—Fuel Tank	227	391733	Lever Assy.—Governor For 1/4" Dia. Crank	303	91219	Elbow—Muffler 45° Street
		Used on type Nos. 1128, 1133, 1185.	229	220680	Washer—Flat		Note: 91464	Elbow—Muffler, 90°, Street
183	390406	Strap Assy.—Fuel Tank	230	222450	Washer—Governor Lever (1/4" I. D.)			Used on type Nos. 1162, 1176, 1178, 5635.
183A	390405	Strap Assy.—Fuel Tank	232	260584	Spring—Gov. Link	304	299853	Housing—Blower
184	93803	Screw—Hex. Hd.	265	221535	Clamp—Casing		Note: 299392	Housing—Blower
185	90970	Nut—Square, 1/4-20	268	65616	Casing—Control Wire—72" long			Used on engines with electric starters (Ref. No. 309) except see other numbers in this group for type Nos. 1025, 1026, 1114, 1115, 1127, 1128, 1129, 1131, 1133, 1134, 1137, 1140, 1141, 1142, 1144, 1145, 1147, 1148, 1151, 1154, 1159, 1166, 1168, 1171, 1173, 1178, 1179.
186	67218	Connector—Fuel Pipe		Note:	If longer casing is required, specify length in inches; if shorter casing is needed, order No. 65616 and cut to required length.			391379
187	296004	Pipe—Fuel	269	26633	Wire—Control—78" long			Housing—Blower
188	93535	Screw—Sem		Note:	If longer wire is required, specify length in inches; if shorter wire is needed, order No. 26633 and cut to required length.			Used on type Nos. 5525, 5526, 5527, 5528, 5626, 5627, 5628, 5629, 5631, 5632, 5634, 5635.
198	293934	Valve—Fuel Shut-Off	270	63426	Locknut—Control Wire Casing			
199	390303	Connector—Fuel Pipe	271	290568	Lever Assy.—Control			
200	221760	Guide—Air	284	93804	Screw—Clamp Mtg.			
201	260971	Link—Governor	300	393010	Muffler—Exhaust (Round Lo-Tone)			
206	230149	Nut—Gov. Control Rod						
207	26855	Spring—Gov. Control Rod						
208	230841	Rod—Governor Control						
209	261306	Spring—Governor						
	Note: 260871	Spring—Gov. Used on type Nos. 1140, 1146, 1147, 1150, 1154, 1166, 1168, 1173, 1174, 1175, 1182, 1183, 5519, 5643.						
		261129	Spring—Gov. 1158, 1159, 5632, 5637.					
		261130	Spring—Gov. Used on type No. 1162.					
216	261117	Link—Choke						

‡ Included in Carburetor Overhaul Kit—Part No. 299852.

REF. NO.	PART NO.	DESCRIPTION	REF. NO.	PART NO.	DESCRIPTION	REF. NO.	PART NO.	DESCRIPTION
		5637, 5638, 5639, 5641, 5643. 391395 Housing--Blower Used on type Nos. 5515, 5516, 5517, 5518, 5519, 5630, 5633, 5640, 5642. 393128 Housing--Blower Used on type Nos. 5625, 5636.			1173, 1174, 1182, 1183, 1185, 5515, 5516, 5517, 5518, 5525, 5526, 5527, 5630, 5631, 5638.			1147, 1159, 5632, 5637.
305	93158	Screw--Blower Housing Mtg. Sem	352	66068	Washer--Insulating	478	222751	Panel--Instrument
306	222830	Shield--Cylinder	353	92791	Washer--Lock--Shakeproof	482	93621	Screw--Stator Mtg.
307	93163	Screw--Cylinder Shield Mtg. Sem	354	90576	Nut--Hex. --8-32 (2)	485	390888	Knob Assy. --Fuse
308	222636	Cover--Cylinder Head	355	66554	Collar--Insulating	486	391507	Diode--Alternator
309		Motor--Starting (12 Volt) See Chart for Replacement Parts for Starting Motors on Page 5.	356	299500	Wire--Ground Note: 391255 Wire--Jumper Used in addition to No. 299500 Ground Wire on type Nos. 1015, 1016, 1017, 1025, 1026, 1125, 1135, 1136, 1137, 1138, 1139, 1140, 1143, 1144, 1145, 1157, 1160, 1167, 1170, 1171, 1176, 1178, 1186, 5515, 5516, 5517, 5518, 5519, 5525, 5526, 5527, 5528, 5630, 5634, 5643.	488	222211	Bracket--Output
332	92284	Nut--Flywheel	358	299577	Gasket Set	501	393374	Regulator--Alternator (10 Amp.)
333	298968	Armature Assembly	363	19203	Puller--Flywheel	516	260374	Spring--Connector
334	93381	Screw--Armature Mounting Sem	372	220477	Clamp--Condenser	517	295423	Pulley--Rope Starter (with Screen)
337	298809	Plug--Spark (1-1/2" high--37-42 M. M.) Note: Spark Plugs use Ignition Cable Terminal No. 221798 . 29693 Plug--Spark (2" high--51 M. M.) 293918 Plug--Spark (With Gasket 1-1/2" Resistor Type)	373	92987	Nut--Hex.	518	69932	Rope--Starter
340	26018	Spring--Breaker Arm	375	294628	Breaker Points and Condenser Set	520	93722	Terminal--Spade
341	93381	Screw--Breaker Arm Mounting Sem	422	222502	Clamp--Oil Filler Tube	523	391840	Cap and Dipstick--Oil Filler
342	65704	Plunger--Breaker Point	423	93410	Screw--Sem	524	68838	Seal--Filler Tube
345	222117	Cover--Breaker Point	445	393406	Cartridge--Air Cleaner	525	280133	Tube--Oil Filler
346	93705	Screw--Hex. Head	455	222561	Cup--Screen Mounting	526	93343	Screw--Regulator
351	93735	Screw--Terminal Note: 91920 Screw--Fill. Head Used on type Nos. 1132, 1148, 1166,	468	222562	Screen--Flush Rotating	527	221428	Clamp (2)
			474	393474	Stator--Alternator Note: 393295 Stator--Alternator (10 Amp.)	534	93622	Screw--Air Cleaner
			474A	393800	Stator--Alternator (Diode type) Note: 393809 Stator--Alternator (Diode type) Used on type Nos. 1140, 1142, 1144,	534A	93323	Screw--Air Cleaner
						534B	93913	Screw--Air Cleaner
						534C	93881	Screw--Air Cleaner
						535	270528	Element--Air Cleaner
						536	390379	Cleaner Assy. --Air Note: 391399 Cleaner Assembly--Air Uses: 280111 Support--Air Cleaner Element (Plastic) Used on type Nos. 5515, 5516, 5517, 5518, 5519, 5525, 5526, 5527, 5528, 5625, 5626, 5627, 5628, 5629, 5630, 5631, 5632, 5633, 5634, 5635, 5636, 5637, 5638, 5641, 5642, 5643.
						536A	393481	Cleaner Assy. --Air
						537	270539	Gasket--Air Cleaner
						549	270978	Washer--Air Cleaner
						552	231055	Bushing--Governor Crank (1/4" I. D.)
						561	92278	Nut--Hex. (1/4-20)

190700 to 190799

REF. NO. 562 - 887

REF. NO.	PART NO.	DESCRIPTION	REF. NO.	PART NO.	DESCRIPTION	REF. NO.	PART NO.	DESCRIPTION
562	92613	Bolt—Governor Lever				814	390867	Wire Assembly— 7 Amp. Alternator
575	299139	Switch—Starting				826	393110	Wire—Panel (Starter Switch to Ground Wire Terminal)
578	392683	Wire—Starter Switch				836	93559	Screw—Sem
578A	393109	Wire—Switch (Starter Switch to Alternator)				840	392918	Panel Kit—Starter (Toggle Switch)
592	231082	Nut—Hex. , 10-24						Note: 392725 Panel Kit— Starter (Key Switch)
601	93053	Clamp—Fuel Pipe				841	393514	Clamp—Regulator
605	222934	Bracket—Regulator				842	270920	Seal—Filler Cap
608	390391	Starter Assy.—Rewind				844	261269	Spring—Diode
613	93704	Screw—Muffler Mtg.				847	392066	Filler Group—Oil
	Note:	93549 Screw—Muffler Mounting Used on type Nos. 1168, 1175.	683	93804	Screw	851	221798	Terminal—Ignition Cable
614	93306	Cotter—Hair Pin	687	390690	Slide—Friction Control	856	393304	Holder—Fuse
615	93307	Retainer—E-Ring	688	221766	Cap—Friction Spring	869	211661	Seat—Intake Valve (Standard)
618	261116	Spring—Choke Return	689	260847	Spring—Friction	870	211661	Seat—Exhaust Valve (Standard)
621	297472	Switch—Stop	690	92484	Screw—Machine, Fil. Hd. —10-32 x 1/2"	871	230655	Guide—Exhaust Valve
634	270382	Washer—Choke Shaft	725	221885	Shield—Heat Note: 222376 Shield—Heat Used on type Nos. 5629.	872	222897	Cover—Air Cleaner
635	66538	Elbow—Spark Plug	725A	222175	Shield—Fuel Pipe, Heat	873	271171	Gasket—Air Cleaner Cover
643	222149	Cup—Air Cleaner	726	392134	Gear—Ring (Aluminum) (Includes Mounting Parts)	874	222898	Plate—Air Cleaner Cartridge
645	23513	Bushing—Plunger	727	390233	Cover and Shield— Starter	875	393828	Body—Air Cleaner
655	222598	Anchor—Spring	728	93523	Screw—Sem	877	393456	Diode and Connector Assy. (Dual Circuit)
657	93496	Screw—Sem	729	221907	Clip—Wire	877A	393814	Diode and Connector Assy. (D. C.)
662	222027	Bracket—Carburetor	763	391604	Electric Starter Kit 12 Volt (Gear Drive)	878	393362	Alternator Harness Assy. (Dual Circuit)
663	93572	Screw	795	392697	Switch—Ignition (Toggle) Uses: 93888 Nut—Hex. Note: 392833 Switch— Ignition (Key)	878A	393422	Alternator Harness Assy.
664	93415	Screw—Sem 1/4-20 x 3/4" long				887	391529	Stator Assembly— Alternator (D. C.)
665	296768	Oil Minder						
670	22963	Spacer—Fuel Tank (4 Used on Engines with no Electric Starter)						
676	222292	Deflector—Exhaust Note: 222406 Deflector— Exhaust Used on type Nos. 1134, 1152.						

