

190700 to 190799

Illustrated Parts List

Model Series

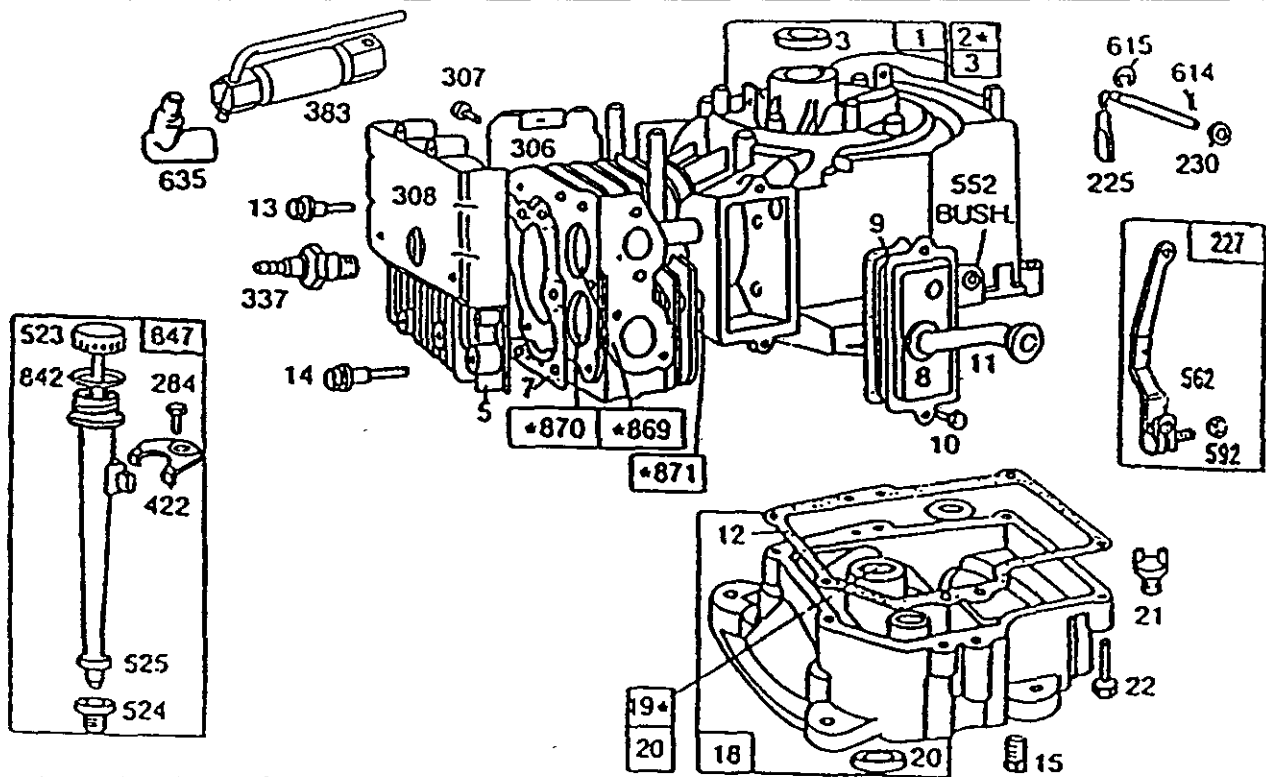
190700 to 190799

TYPE NUMBERS
2415 through 2418,
2425, 2426, 2443, 2444
2501 through 2527,
4001 through 4004,
4015 through 4019,
4025, 4026
5915 through 5919,
5925 through 5928,
6000 through 6018

TO FIND
THE CORRECT NUMBER OF THE PART YOU NEED:
FOLLOW THE INSTRUCTIONS BELOW

- A. Refer to Engine Model, Type and Code Number that is stamped on the blower housing of engine. Engine type numbers such as 0123 01 are listed only as 0123 in most instances. The two digits (01 or 02, etc.) to the right of the space may be required for more accurate parts identification in some instances. Select the Illustrated Parts List covering the correct Model Series and Type Number.
- B. Refer to the Illustrations and compare the original part with Illustration. The number next to the illustration is the Reference Number. Assemblies include all parts shown in frames. All parts shown in assembly frames having individual reference numbers can be purchased separately.
- C. After the Reference Number has been identified, refer to the Numerical text, where Reference and Primary Part Number are listed. **THE PRIMARY PART IS USED ON ALL TYPE NUMBERS EXCEPT THOSE TYPE NUMBERS UNDER "NOTE."**
- D. If a "Note" appears below the Primary Part Number, it means that this part differs from the Primary Part for certain types. *If your Type number is listed under "Note," order the part referred to at the "Note."*
- E. *If your Engine Type Number does not appear after any part number listed under "Note," use the Primary Part Number.*
- F. For Engine Type Numbers not covered by this book, check other Parts Lists having the same engine model or contact your source of supply.

190700 to 190799



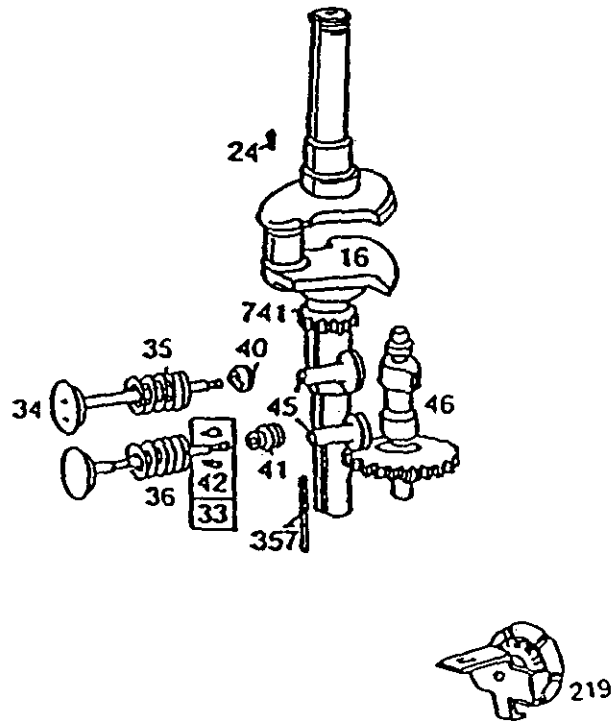
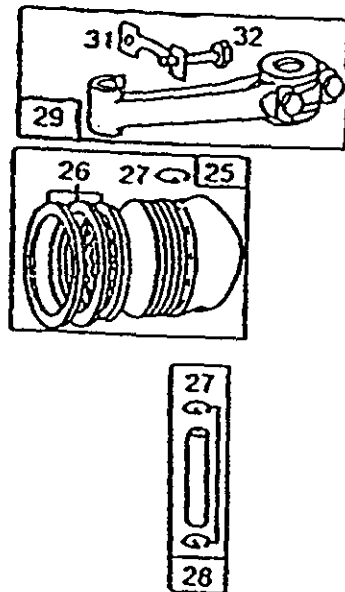
★ **REQUIRES SPECIAL TOOLS TO INSTALL. SEE REPAIR INSTRUCTION MANUAL.**

1019 LABEL KIT

358 GASKET SET

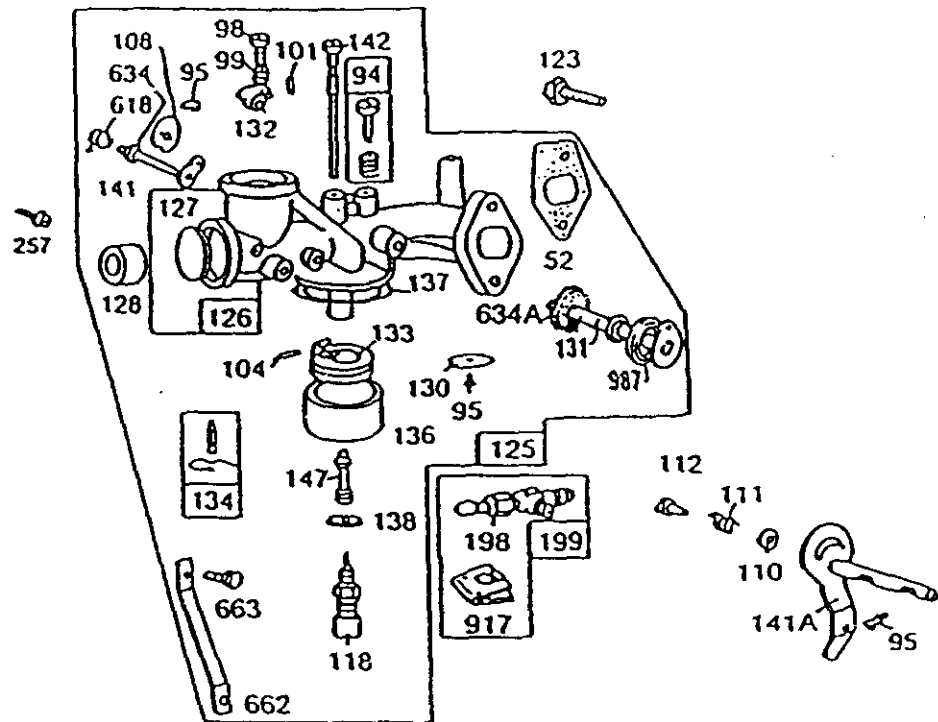
REF. NO.	PART NO.	DESCRIPTION	REF. NO.	PART NO.	DESCRIPTION	REF. NO.	PART NO.	DESCRIPTION
1	396213	Cylinder Assembly	15	91084	Plug—Oil Drain	358	299577	Gasket Set
2	399266	Bushing—Cylinder		Note: 93418	Plug—Oil Drain (Hex. Socket)	383	89838	Wrench—Spark Plug
3	★294606	Seal—Oil				422	223394	Clamp—Oil Filler Tube
5	212286	Head—Cylinder	18	392548	Base—Engine	523	391840	Cap and Dipstick—Oil Filler
7	★270430	Gasket—Cylinder Head		Note: 397305	Base—Engine Used on Type Nos. 2517, 2518, 4003, 4004.	524	★68838	Seal—Filler Tube
8		Breather Assembly				525	280133	Tube—Oil Filler
		See Last Pages.				552	491986	Bushing—Gov. Crank
9	★27803	Gasket—Valve Cover	19	295963	Bushing—Engine Base	562	92613	Bolt—Governor Lever
10	93394	Screw—Sem	20	★391086	Seal—Oil	592	231082	Nut—Hex.
11	280005	Tube—Breather	21	66768	Plug—Oil Filler	614	93306	Cotter—Pin
12	★271701	Gasket—Crankcase Cover (1/64" Thick)	22	93585	Screw—Mtg. Sem	615	93307	Retainer—E-Ring
	★27876	Gasket—Crankcase Cover (.005" Thick)	225	231058	Crank—Governor	635	66538	Elbow—Spark Plug
	★27877	Gasket—Crankcase Cover (.009" Thick)	227	490927	Lever Assy.—Governor	842	★270920	Seal—Filler Cap
13		Screw—Cylinder Head	230	222450	Washer—Gov. Lever	847	392066	Filler Group—Oil
		See Last Pages.	284	93572	Screw—Clamp Mtg.	869	211661	Seat—Int. Valve (Std.)
14		Screw—Cylinder Head	306	223374	Shield—Cylinder	870	211661	Seat—Ex. Valve (Std.)
		See Last Pages.	307	93949	Screw—Cyl. Shield Mtg	871	231218	Guide—Ex. or Int. Valve
			308	222636	Cover—Cylinder Head			See Repair Manual
			337		Plug—Spark	1019	491182	Label Kit
					See Last Pages.			

* Included in Gasket Set—Part No. 299577.



REF. NO.	PART NO.	DESCRIPTION	REF. NO.	PART NO.	DESCRIPTION	REF. NO.	PART NO.	DESCRIPTION
16		Crankshaft See Last Pages.		391671	Ring Set-Piston (.020" O.S.)	35	65906	Spring-Intake Valve
24	222698	Key-Flywheel		391672	Ring Set-Piston (.030" O.S.)	36	26828	Spring-Exhaust Valve
25	391673	Piston Assy. (Std.)				40	221596	Retainer-Intake Valve
	391674	Piston Assembly (.010" O.S.)	27	68546	Lock-Piston Pin	41	292260	Rotacoil-Exhaust Valve
	391675	Piston Assembly (.020" O.S.)	28	295840	Pin Assy.-Piston (Standard)	42	93630	Retainer-Exhaust Valve Rotacoil (2)
	391676	Piston Assembly (.030" O.S.)		295841	Pin Assy.-Piston (.005" O.S.)	45	260933	Tappet-Valve
		PISTON RING SETS:	29	390402	Rod Assy.- Conn.	46	211689	Gear-Cam
		Note: For Chrome Piston Ring Set (Standard Size) Order No. 299743.			Note: For Conn. Rod With .020" Undersize Crankpin Bearing- Order No. 390773.	219	491397	Oil Slinger, Gov. Gear and Bracket Assembly
26	391669	Ring Set-Piston (Std.)	31	222114	Lock-Conn. Rod Screw	357	91540	Key-Pulley Mounting
	391670	Ring Set-Piston (.010" O.S.)	32	92659	Screw-Conn. Rod	741	262479	Gear-Timing (For Loose Gear With Key).
			33	390419	Valve-Exhaust			Note: 261195 Gear-Timing (For Loose Gear With Pin).
			34	261055	Valve-Intake			

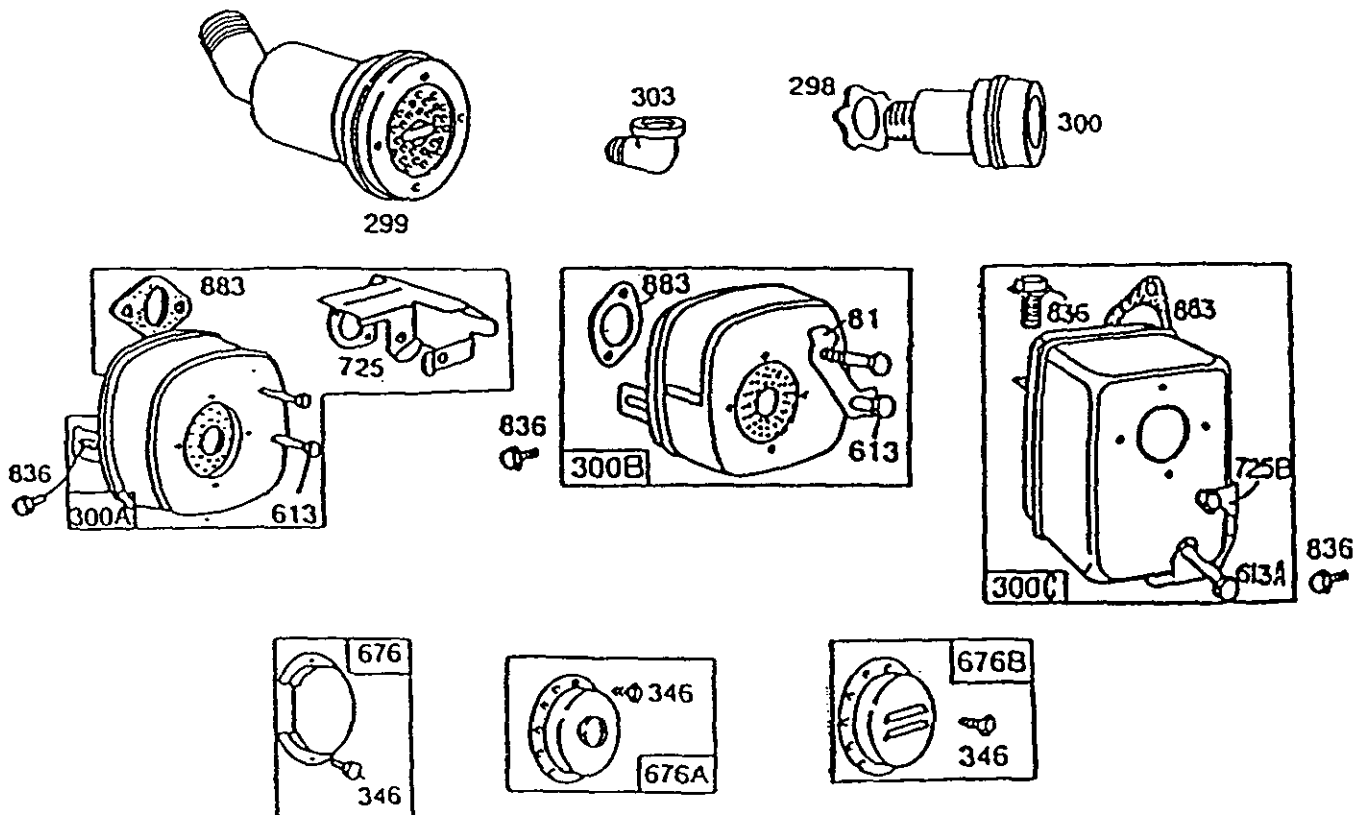
190700 to 190799



121 CARBURETOR OVERHAUL KIT

REF. NO.	PART NO.	DESCRIPTION	REF. NO.	PART NO.	DESCRIPTION	REF. NO.	PART NO.	DESCRIPTION
52		Gasket-Carburetor Mounting See Last Pages.	123	93357	Screw-Carb. Mtg.	138	222014	Washer-Float Bowl
94	292681	Valve Assembly-Carburetor Idle	125		Carburetor Assembly See Last Pages.	141	390684	Shaft and Lever-Choke
95	93499	Screw-Throttle and Choke Valve Mtg. Sem	126	299851	Body Assy. Lower Carburetor	141A	299647	Shaft and Lever-Manual Choke
98	91920	Screw-Machine, Fill. Hd.	127	221997	Plug-Welch	142	299740	Nozzle-Carburetor
99	26157	Spring-Throttle Adj.	128	211682	Venturi-Carburetor	147	231323	Screw-Nozzle
101	93043	Pin-Throttle Stop	130	221986	Valve-Throttle	198	293934	Valve-Fuel Shut-Off
104	230896	Pin-Float Hinge	131	491006	Shaft and Lever-Throttle	199	399949	Connector-Fuel Pipe
108	222010	Valve-Choke	132	211712	Stop-Throttle	257	93543	Screw-Fil. Hd. Sem
110	220899	Washer-Choke Lever	133	299707	Float-Carburetor	618	261116	Spring-Choke Return
111	26229	Spring-Choke Lever	134	394681	Valve-Fuel Inlet	634	270382	Washer-Choke Shaft
112	23270	Screw-Choke Lever		Note: 394682	Valve-Fuel Inlet (Includes Brass Seat)	634A	271853	Washer-Throttle Shaft
118	396568	Valve-Needle		394683	Valve-Fuel Inlet (Includes Brass Seat)	662	224440	Bracket-Carburetor
		Includes:			For Impulse Pump Applications	663	93572	Screw
		22235 Washer	136	221995	Bowl-Float	917	223271	Valve Handle-Fuel Shut-Off
		26336 Spring	137	270511	Gasket-Float Bowl	987	398970	Seal-Throttle Shaft
		65978 O-Ring						
		230590 Nut-Hex.						
121	394698	Carb. Overhaul Kit						

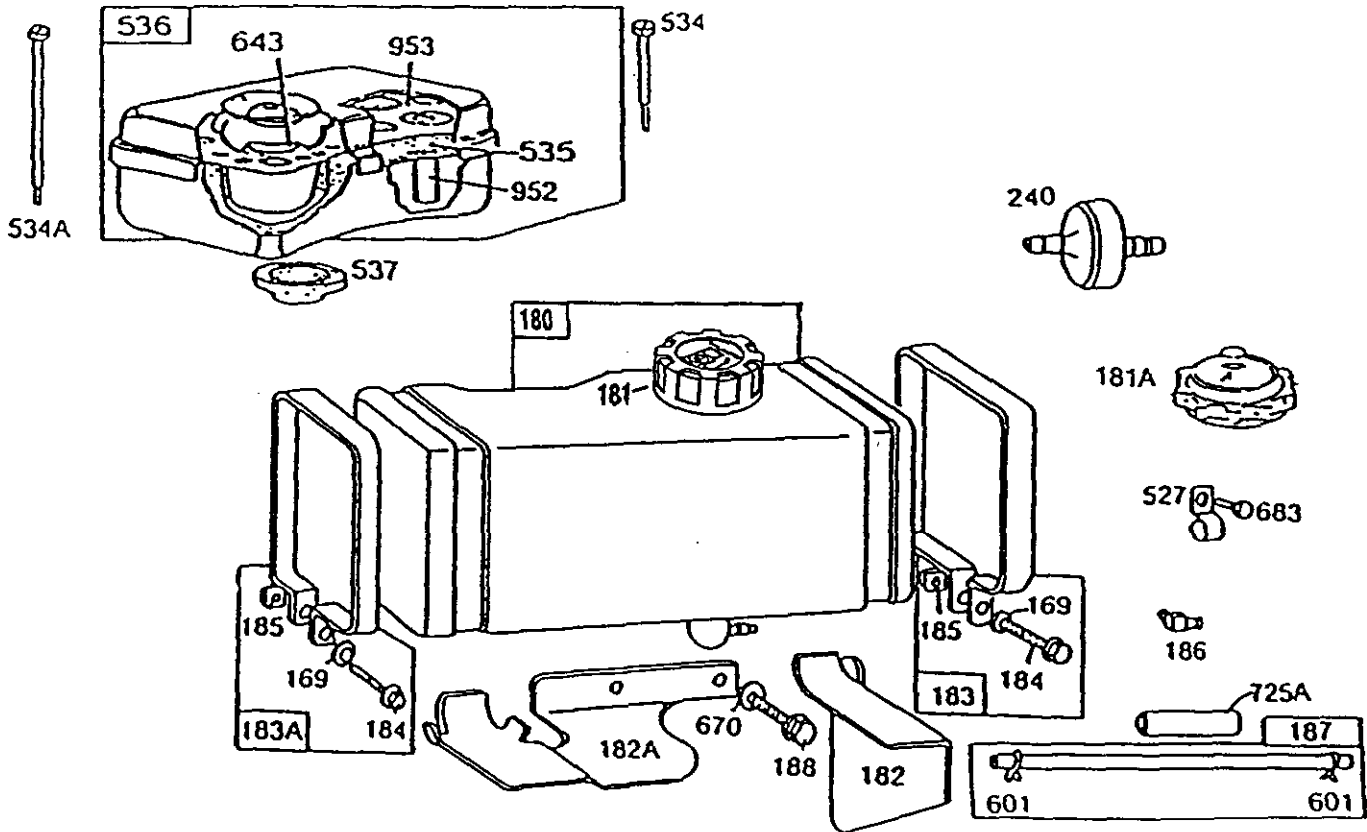
• Included in Carburetor Overhaul Kit- Part No. 394698.



REF. NO.	PART NO.	DESCRIPTION	REF. NO.	PART NO.	DESCRIPTION	REF. NO.	PART NO.	DESCRIPTION
81	222263	Lock-Muffler Screw		93549	Screw-Muffler Mounting	613	94042	Screw-Muffler Mtg.
298	261409	Muffler-Locknut			Used on Type Nos. 2509, 2510, 6013, 6014.	613A	94054	Screw-Muffler
299	393368	Muffler-Exhaust (Round Lo-Tone)				676	393757	Deflector-Exhaust
300	393010	Muffler-Exhaust (Round Lo-Tone)	300B	391313	Muffler-Exhaust	676A	395700	Deflector-Exhaust (Direct Outlet)
300A	398507	Muffler-Exhaust	300C	399355	Muffler-Exhaust	676B	393758	Deflector-Exhaust
	Note: 390147	Muffler-Exhaust	303	94092	Elbow-Muffler 90° Street	725	223540	Shield-Muffler
	Uses:				Used on Type Nos. 2508, 2511.	725B	223645	Shield-Muffler
	221885	Shield-Heat	346	93705	Screw-Hex. Head	836	93559	Screw-Sem
	222929	Lock-Muffler Screw				883	*272309	Gasket-Exhaust

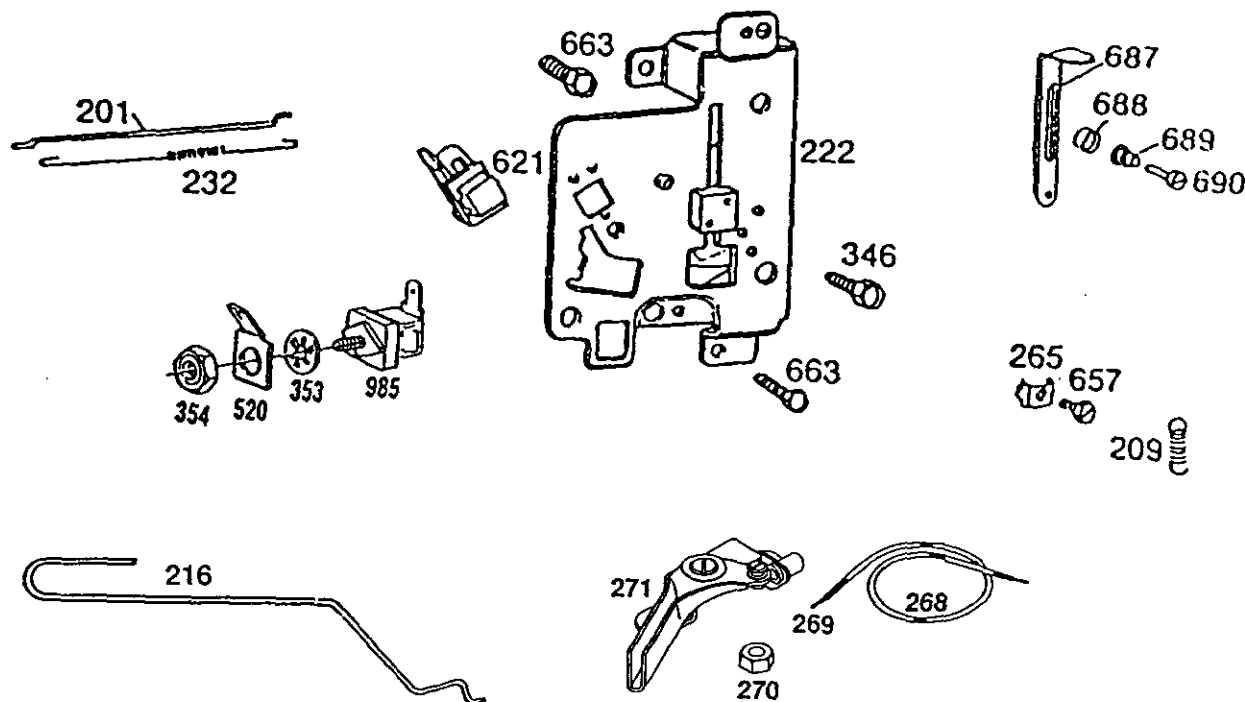
* Included in Gasket Set-Part No. 299577.

190700 to 190799



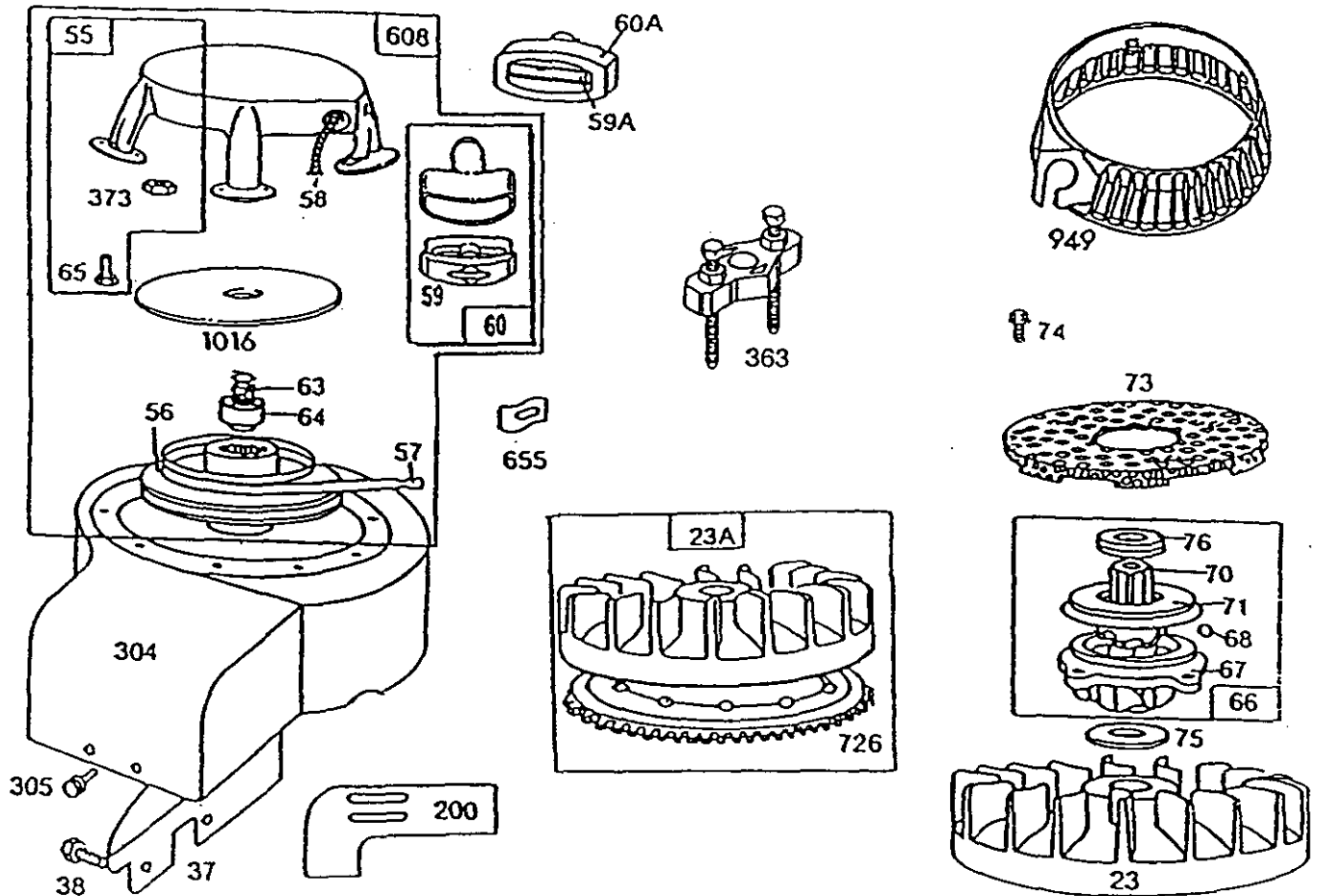
REF. NO.	PART NO.	DESCRIPTION	REF. NO.	PART NO.	DESCRIPTION	REF. NO.	PART NO.	DESCRIPTION
169	90832	Washer-Lock	188	93535	Screw-Sem (Used on Engines With Rewind Start Only).	643	222149	Cup-Air Cleaner
180	390225	Tank Assy.-Fuel (3 Quart)		Note: 93634	Screw-Sem (Used on Engines With Electric Start).	670	22963	Spacer-Fuel Tank (4 Used on Engines Without Electric Starter)
181	493988	Cap-Fuel Tank					Note: 22776	Washer-Tank Bracket Used on Type Nos. 2425, 2426, 2503, 2510, 2511, 2514, 2518, 2527, 4004, 4025, 4026, 5925, 6007, 6010, 6014.
181A	397975	Cap-Fuel Tank	240	298090	Filter-Fuel Note: 394358	683	93804	Screw
182	222813	Bracket-Fuel Tank, R.H.			Used on Fuel Pump Applications.	725A	222175	Heat Shield-Fuel Pipe
182A		Bracket-Fuel Tank, L.H. See Last Pages.	527	221428	Clamp (2)	952	222495	Spacer-Air Cleaner
183	390406	Strap Assembly-Fuel Tank	534	93622	Screw-Air Cleaner	953	222022	Screen-Air Cleaner
183A	390405	Strap Assembly-Fuel Tank	534A	93323	Screw-Air Cleaner			
184	93803	Screw-Hex. Hd.	535	270528	Element-Air Cleaner See Last Pages.			
185	90970	Nut-Square	536		Cleaner Assy.-Air			
186	67218	Connector-Fuel Pipe	537	*270539	Gasket-Air Cleaner			
187		Pipe-Fuel See Last Pages.	601	93053	Clamp-Fuel Pipe			

* Included in Gasket Set-Part No. 299577.

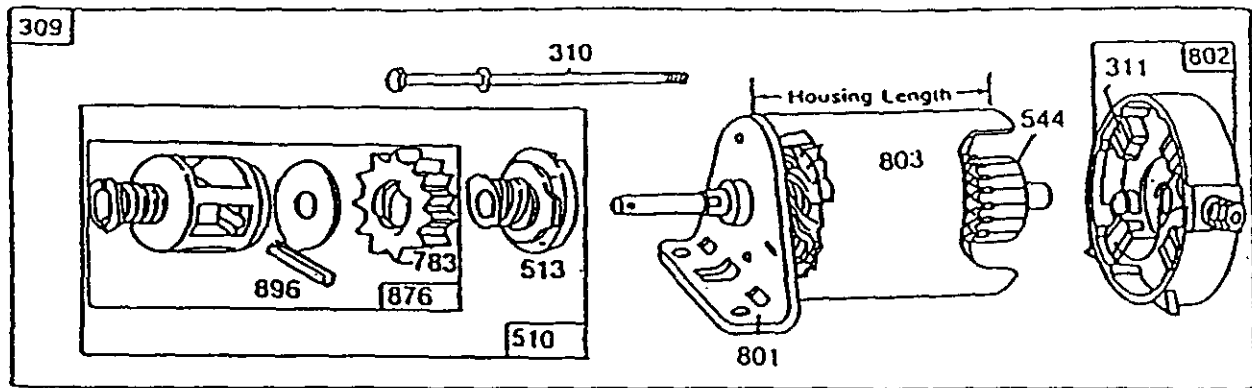


REF. NO.	PART NO.	DESCRIPTION	REF. NO.	PART NO.	DESCRIPTION	REF. NO.	PART NO.	DESCRIPTION
201	262431	Link-Governor			2416, 2501, 2503, 2513, 2515, 2520, 4016, 4018, 5916, 6000, 6004, 6006, 6008, 6009, 6012, 6015.			Length in Inches; if Shorter Wire is Needed, Order No. 26633 and Cut to Required Length.
209	260871	Spring-Governor Note: 261126 Spring-Gov. Used on Type Nos. 2508, 2509, 2510, 2511, 2514, 2524, 2525, 4019, 5915, 5926, 6013, 6014, 6016. 261306 Spring-Gov. Used on Type Nos. 2415, 2417, 2501, 2503, 5917, 6000, 6002, 6007.						
216	261612	Link-Choke						
222	491594	Plate-Gov. Control (Choke-A-Matic®) Note: 491593 Plate-Governor Control (Manual Choke) Used on Type Nos.	232	261911	Spring-Governor Link	265	221535	Clamp-Casing
			268	65616	Casing-Control Wire (72" Long) Note: If Longer Casing is Required, Specify Length in Inches; if Shorter Casing is Needed, Order No. 65616 and Cut to Required Length.	346	93705	Screw-Hex. Head
						353	92791	Washer-Lock
						354	90576	Nut-Hex.
						520	93722	Terminal-Spade
						621	396847	Switch-Stop
						657	93496	Screw-Sem
						663	93572	Screw
						687	390690	Slide-Friction Control
						688	221766	Cap-Friction Spring
						689	260847	Spring-Friction
						690	92484	Screw-Machine, Fil. Hd.
			269	26633	Wire-Control (78" Long) Note: If Longer Wire is Required, Specify	985	398525	Insulator Assembly
						270	63426	Locknut-Control Wire Casing
						271	290568	Lever Assy.-Control
						268	65616	Casing-Control Wire (72" Long)
						270	63426	Locknut-Control Wire Casing

190700 to 190799



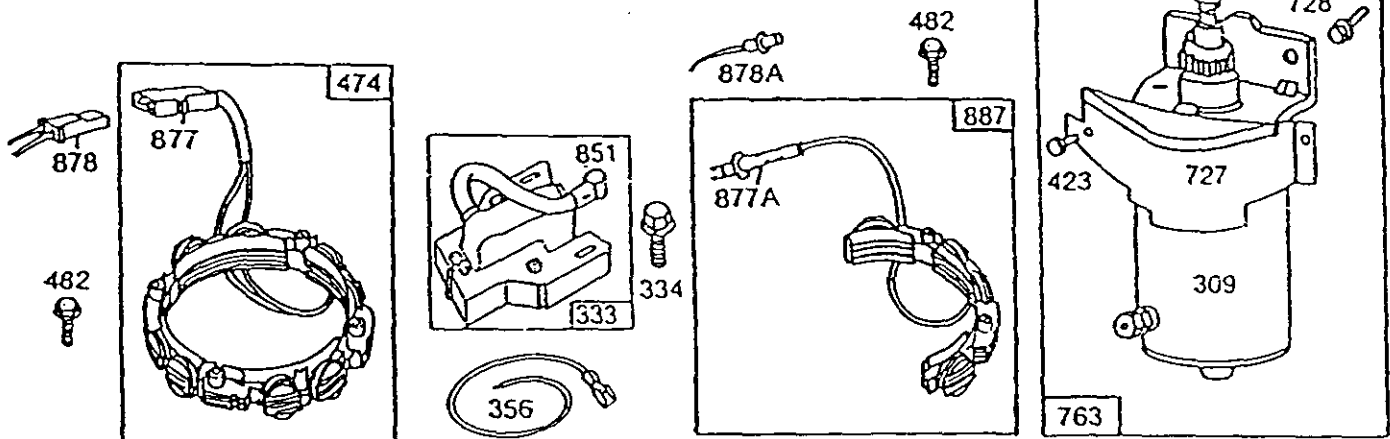
REF. NO.	PART NO.	DESCRIPTION	REF. NO.	PART NO.	DESCRIPTION	REF. NO.	PART NO.	DESCRIPTION
23	298260	Flywheel-Magneto		66894	and Cut to Required Length.	73	221796	Screen-Rewind Starter
23A		Flywheel and Ring Gear Assy.-Magneto				74	93758	Screw-Sem
		See Last Pages.	59	490653	Insert-Starter Handle	75	224061	Washer-Spring
37		Guard-Flywheel	59A	230228	Pin-Starter Grip	76	68238	Washer-Ratchet Sealing
		See Last Pages.	60	490652	Handle-Rewind Starter	200	221760	Guide-Air
38	93777	Screw-Sem	60A	66728	Grip-Starter Rope	304		Housing-Blower
55	393576	Housing-Rewind Starter	63	260414	Spring-Ratchet			See Last Pages.
56	295871	Pulley-Rewind Starter	64	230543	Adapter-Ratchet	305	93158	Screw-Blower Housing Mounting
		Note: Includes 63" Rope; if Longer Rope is Required, Order Rope No. 66894 and Cut to Required Length.	65	94128	Screw-Rewind Starter Housing Mounting	363	19203	Puller-Flywheel
57	490179	Spring-Rewind Starter	66	399671	Clutch Assembly-Rewind Starter	373	92987	Nut-Hex.
58	66884	Rope-Rewind Starter (63" Long)	67	394897	Housing-Rewind Starter Clutch	608		Starter Assy.-Rewind
		If Longer Rope is Needed, Order No.	68	63770	Ball-Clutch			See Last Pages.
			70	298799	Ratchet-Rewind Starter Clutch	655	222598	Anchor-Spring
			71	394506	Washer-Clutch Retainer	726	392134	Gear-Ring (Includes Mtg. Screws).
						949	280685	Guard-Debris
						1016	490817	Spacer



Reference No.		309	310	311	510	544	801	802	803
Starter Motor Mfr.		Motor & Drive Ass'y.	Thru Boly Assembly	Brush Assembly	Drive Assembly	Armature Assembly	End Cap Ass'y. Drive	End Cap Ass'y. Commutator	Housing Assembly
Briggs & Stratton	Housing Length								
12V	3-21/32"	394805	94003	395538	490421**	390837	394856	395537*	398159
United Technologies	Housing Length								
12V	3-15/32"	394805	-	492020	490421**	-	394856	492021*	-

*Includes Brush Set

**Includes #398003 Clutch Assembly (Ref. No. 513)
 #280104 Gear (Ref. No. 783)
 #490467 Retainer Kit (Ref. No. 876)
 # 94192(Black) or 94288(Yellow)Roll Pin (Ref. No. 896)



REF. NO.	PART NO.	DESCRIPTION	REF. NO.	PART NO.	DESCRIPTION	REF. NO.	PART NO.	DESCRIPTION
309		Motor-Starting (12 Volt) See Above.	726	392134	Gear-Ring (Includes Mtg Screws).	877A	393814	Assy. (Dual Circuit) Diode and Connector Assy. (D.C.)
333	398811	Armature-Magneto	727	395405	Cover-Starter (Includes Mtg Screws).	878	393362	Alternator Harness Assy. (Dual Circuit)
334	93381	Screw-Armature	728	93523	Screw-Sem	878A	393422	Alternator Harness Assy. (D.C.)
356	398808	Wire-Ground	763	394952	Electric Starter Kit 12 Volt (Gear Drive)	887	391529	Stator Assembly-Alternator (D.C.)
423	94625	Screw-Sem	851	221798	Terminal-Ign. Cable			
474	393474	Stator-Alternator	877	393456	Diode and Connector			
482	93621	Screw-Stator Mtg.						

190700 to 190799

190700 to 190799

REF. NO.	PART NO.	DESCRIPTION	REF. NO.	PART NO.	DESCRIPTION	REF. NO.	PART NO.	DESCRIPTION
8	299848	Breather Assembly Note: 391406 Breather Assy. Used on Type Nos. 4001, 4002, 4003, 4004, 4005, 4016, 4017, 4018, 4019, 4025, 4026, 5915, 5916, 5917, 5918, 5919, 5925, 5926, 5927, 5928, 6000, 6002, 6003, 6004, 6005, 6006, 6007, 6008, 6009, 6010, 6011, 6012, 6013, 6014, 6015, 6016, 6017, 6018.		Note: 93781 Stud-Cyl. Head 22963 Washer Used on Type Nos. 2418, 5918, 5919, 5927, 5928, 6016.			4025, 5915, 5916, 5917, 5918, 5919, 5925, 5926, 5927, 5928, 6000, 6002, 6003, 6004, 6005, 6006, 6007, 6008, 6009, 6010, 6011, 6012, 6013, 6014, 6015, 6016, 6017, 6018.	
13	93211	Screw-Cylinder Head (2-21/32" Long) Note: 93776 Stud-Cylinder Head 22963 Washer Used on Type Nos. 2416, 2417, 2418, 2425, 2426, 2443, 2444, 2501, 2503, 2508, 2509, 2510, 2511, 2512, 2514, 2517, 2518, 2520, 2521, 2522, 2523, 2524, 2527, 4001, 4002, 4003, 4004, 4016, 4017, 4018, 4019, 4025, 4026, 5915, 5916, 5917, 5918, 5919, 5925, 5926, 5927, 5928, 6000, 6002, 6004, 6006, 6007, 6008, 6009, 6010, 6011, 6013, 6014, 6015, 6016.	16	492450	Crankshaft Note: Order 94388 Key or 230978 Pin for Loose Timing Gear Retaining Device. 492451 Crankshaft Used on Type Nos. 2524, 4019, 5919, 5928, 6005, 6016. 492452 Crankshaft Used on Type Nos. 2418, 5918, 5927. 492453 Crankshaft Used on Type Nos. 2443, 2444, 2522, 2527, 4001, 6010, 6011.	125	491590	Carburetor Assembly (Choke-A-Matic®) Note: 491591 Carb. Assy. (Manual Choke) Used on Type Nos. 2416, 2501, 2503, 2513, 2515, 2520, 4016, 4018, 5916, 6000, 6004, 6006, 6008, 6009, 6012, 6015.
14	93723	Screw-Cylinder Head (3" Long)	23A	391983	Flywheel and Ring Gear Assy.-Magneto Note: 392034 Flywheel and Ring Gear Assy.- Magneto Used on Type No. 6007.	182A	222979	Bracket-Fuel Tank, L.H. Note: 223157 Support-Fuel Tank 93158 Sem-Screw 90832 Lockwasher Used in Addition to 222979 Bracket-Fuel Tank Used on Type Nos. 2517, 2518, 4003. 222194 Bracket-Fuel Tank Used on Type Nos. 2418, 5918.
			37	222475	Guard-Flywheel Note: 222402 Guard- Flywheel Used on Type Nos. 6002, 6004, 6008, 6009.	187	296004	Pipe-Fuel (23" long, Cut to Required Length). Note: 393815 Pipe-Fuel (11" Long, Cut to Required Length).
			52	270538	Gasket-Carburetor Mounting Note: *270824 Gasket- Carburetor Mounting Used on Type Nos. 4001, 4002, 4003, 4004, 4015, 4018.			

* Included in Gasket Set-Part No. 299577.
● Included in Carburetor Overhaul Kit-Part No. 394698.

190700 to 190799

REF. NO.	PART NO.	DESCRIPTION	REF. NO.	PART NO.	DESCRIPTION	REF. NO.	PART NO.	DESCRIPTION
304	491596	Housing-Blower Note: 491407 Housing-Blower Used on Type Nos. 4001, 4002, 4003, 4015, 4016, 4017, 4018, 4019, 5915, 5916, 5917, 5918, 5919, 6000, 6005, 6006, 6011, 6013, 6015, 6016, 6017. 491408 Housing-Blower Used on Type Nos. 4004, 4025, 4026, 5925, 5926, 5927, 5928, 6002, 6003, 6004, 6007, 6008, 6009, 6010, 6014, 6018.			491592 Housing-Blower Used on Type Nos. 2425, 2426, 2444, 2503, 2510, 2511, 2513, 2514, 2515, 2518, 2525, 2527.			Cleaner Element (Plastic) Used on Type Nos. 4001, 4002, 4003, 4004, 4015, 4016, 4017, 4018, 4019, 4025, 4026, 5915, 5916, 5917, 5918, 5919, 5925, 5926, 5927, 5928, 6000, 6002, 6003, 6004, 6005, 6006, 6007, 6008, 6009, 6010, 6011, 6012, 6013, 6014, 6015, 6016, 6017, 6018.
			337	492167	Plug-Spark (1-7/8" High, 48 mm) Note: 293916 Plug-Spark (1-1/2" High, 38 mm, Resistor Type) 298809 Plug-Spark (1-1/2" High, 38 mm) 802592 Plug-Spark (1-7/8" High, 48 mm, Resistor Type)			
			536	390379	Cleaner Assy.-Air Note: 391399 Cleaner Assembly-Air Uses: 280111 Support-Air	608	390391	Starter Assy.-Rewind Note: 299640 Starter Assy.-Rewind Used on Type No. 2418.