

191400 to 191477

Illustrated Parts List

MODEL SERIES

191400 to 191477

TYPE NUMBERS

0010 through 0040

0110 through 0135

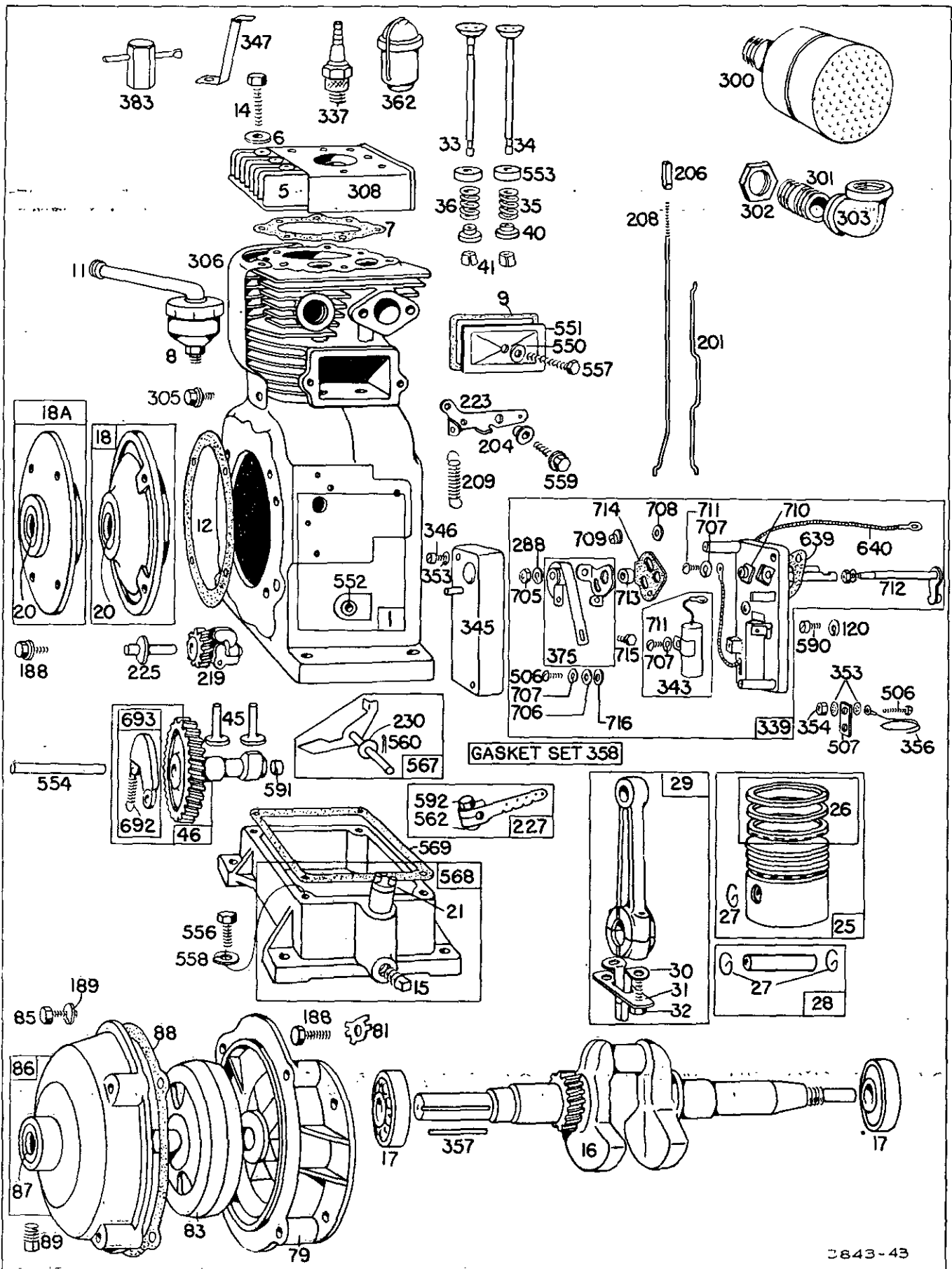
TO FIND

**THE CORRECT NUMBER OF THE PART YOU NEED:
FOLLOW THE INSTRUCTIONS BELOW.**

- A. Refer to Engine Model, Type and Code Number (formerly Serial Number) that is stamped on the blower housing or name plate of engine. Engine type numbers such as 0147 01 are listed herein only as 0147. The two digits (01 or 02, etc.) to the right of the space are not needed for parts identification. Then use the Illustrated Parts List covering these Model Series.
- B. Refer to Illustrated Parts section and compare the old part with illustration. The number on the illustration is the Reference Number. Assemblies include all parts shown in frames. All parts shown in assembly frames on which individual reference numbers are given can be purchased separately.
- C. After the Reference Number has been identified, refer to the Numerical Parts List, where Reference and Master Part Numbers are listed. **THE MASTER PART IS USED ON ALL TYPE NUMBERS EXCEPT THOSE TYPE NUMBERS UNDER "NOTE".**
- D. If a "Note" appears below the Master Part Number, this means that this part differs from the Master Part for certain types. If the Type Number is listed under "Note", order the part referred to.
- E. If the Engine Type Number does not appear after any part number listed under "Note", use the Master Part Number.
- F. For Type Numbers higher than those covered by this book, please refer to the factory if you are unable to identify the part by comparison.

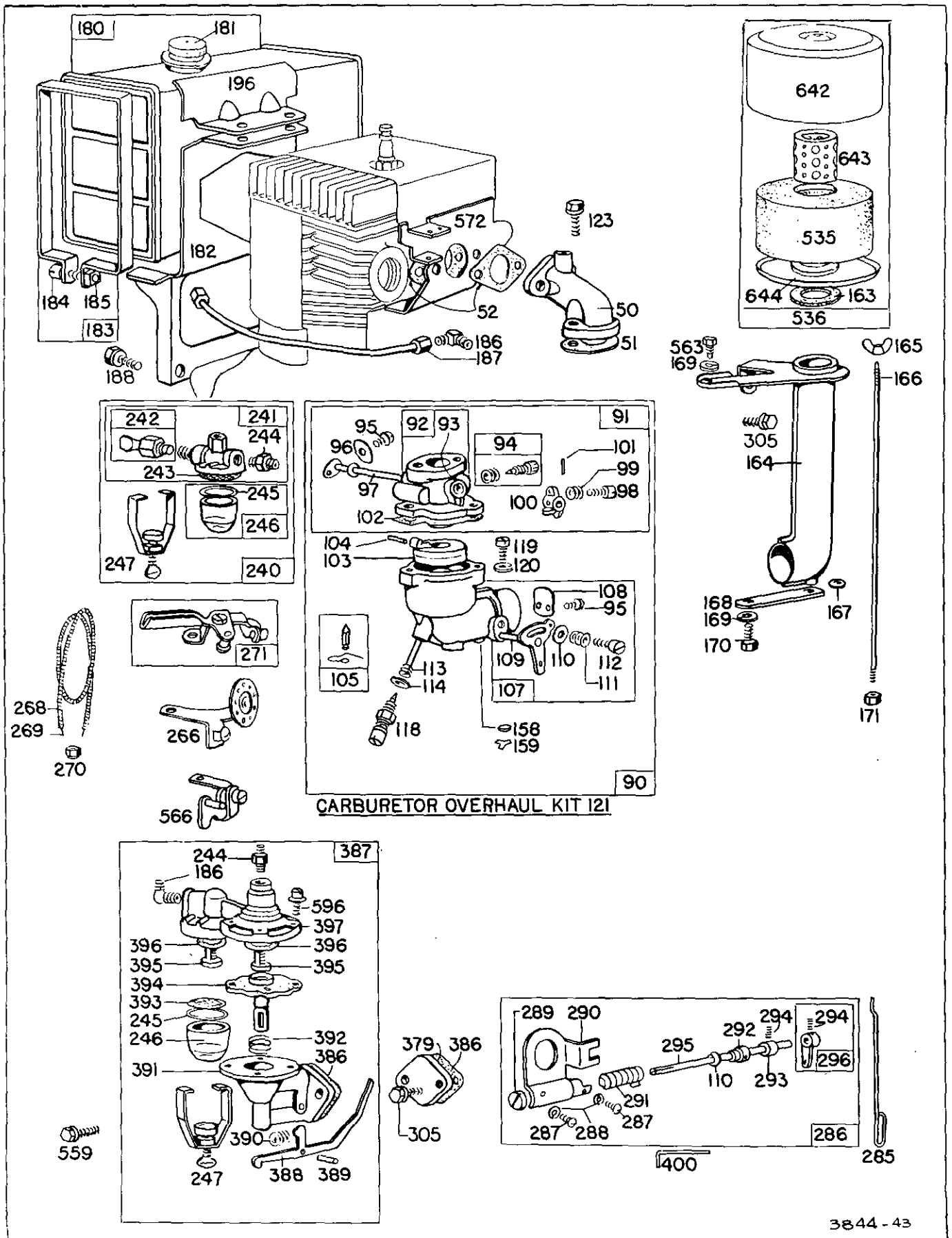


191400 to 191477



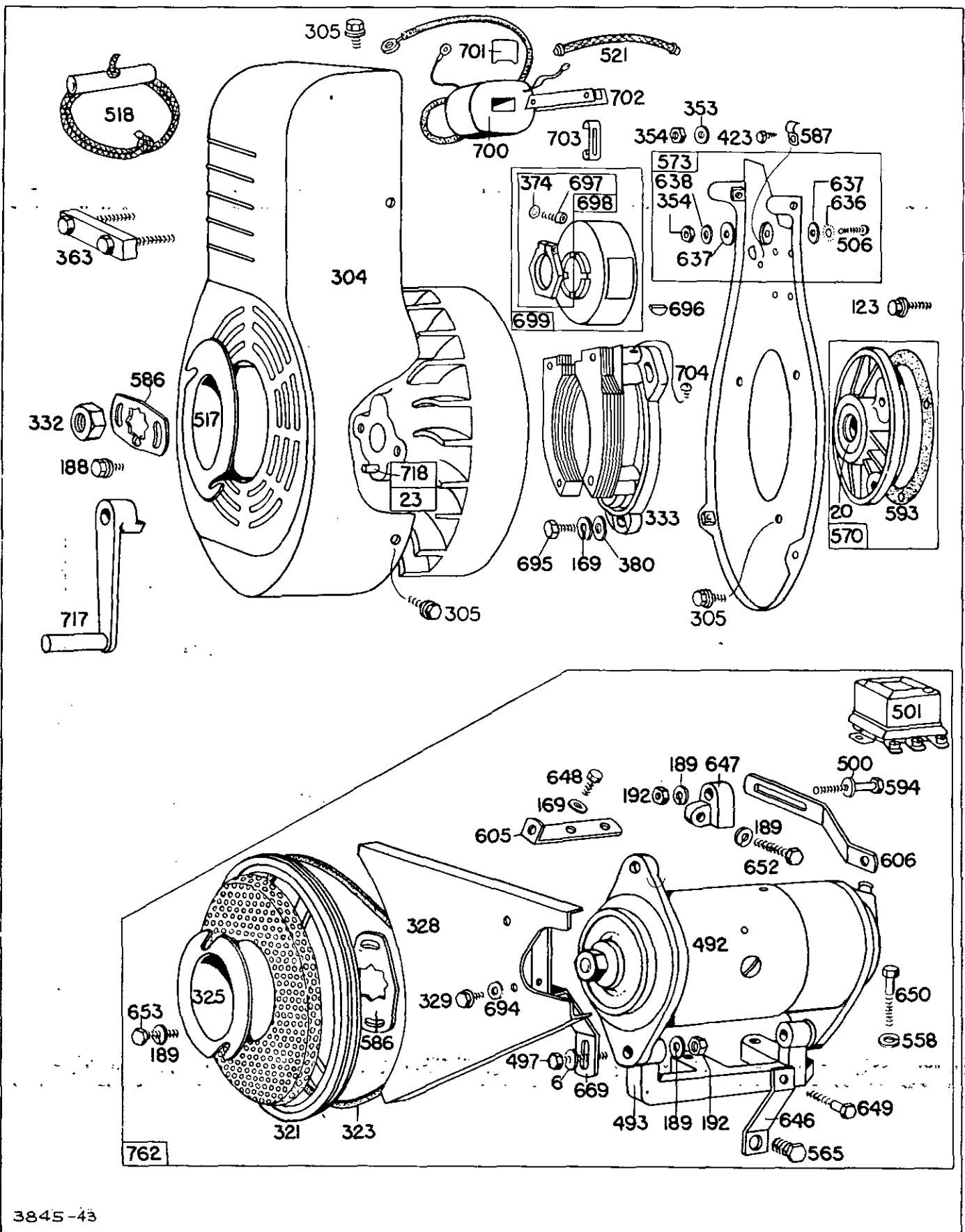
Assemblies include all parts shown in frames.

191400 to 191477



Assemblies include all parts shown in frames.

191400 to 191477



Assemblies include all parts shown in frames.

REF. NO.	PART NO.	DESCRIPTION	REF. NO.	PART NO.	DESCRIPTION	REF. NO.	PART NO.	DESCRIPTION	
1	294688	Cylinder Assembly Note: 295014 Cylinder Assembly Used on type Nos. 0023, 0123, 0127, 0128, 0130, 0132, 0135.		260784	Crankshaft Used on type No. 0040.		294678	Piston Assembly— .020" O. S.	
5	210620	Head—Cylinder		260789	Crankshaft Used on type Nos. 0023, 0127, 0132.		294679	Piston Assembly— .030" O. S.	
6	22963	Washer—Plain		260794	Crankshaft Used on type No. 0135.		PISTON RING SETS:		
7	*27752	Gasket—Cylinder Head Note: Two 27752 Cylinder Heads are used on type No. 0129.	17	29530	Bearing—Ball		Note: For Chrome Piston Ring Set — standard size — order Part No. 298746.		
8	297704	Breather	18	290724	Cover Assembly—Crankcase (Plain Bearing) Used only on Model 191401 to 191407 Engines.	26	292100	Ring Set—Piston—Std. Includes: 210076 Ring—Piston, Comp., Top and Center, Standard 61292 Ring—Piston, Oil, Standard	
9	*66214	Gasket—Valve Cover	18A	291299	Cover Assembly—Crankcase (Ball Bearing) Used only on Model 191431 to 191437 Engines.		292101	Ring Set—Piston—.010" O. S. Includes: 210077 Ring—Piston, Comp., Top and Center, .010" O. S. 61335 Ring—Piston, Oil, .010" O. S.	
11	67068	Tube—Breather	20	298423	Seal—Oil		292102	Ring Set—Piston—.020" O. S. Includes: 210078 Ring—Piston, Comp., Top and Center, .020" O. S. 61336 Ring—Piston, Oil, .020" O. S.	
12	*66224	Gasket—Crankcase Cover	21	66768	Plug—Oil Filler Note: 292495 Oil Filler Cap and Drain Plug Assembly. Used on type Nos. 0132, 0135.				
14	91442	Screw—Cylinder Head Note: 93358 Screw—Cap, Hex. Head 5/16-18 x 3-1/2" (2) 230705 Spacer (2) Used on type No. 0133.		298859	Oil Minder Used on type No. 0133.				
15	91084	Plug—Pipe—3/8" Note: 92817 Plug—Oil Drain Used on type Nos. 0132, 0135.	23	291278	Flywheel—Magneto Note: 294743 Flywheel—Magneto Uses: 220804 Screen 220803 Support—Screen 230397 Spacer (4) 93125 Screw (4) 67632 Washer (4) Used on Flywheel on type No. 0125.				
16	260775	Crankshaft Note: 260767 Crankshaft Used on type Nos. 0020, 0112, 0134. 260768 Crankshaft Used on type Nos. 0021, 0022, 0113, 0120, 0121, 0125, 0129, 0131. 260770 Crankshaft Used on type No. 0115. 260771 Crankshaft Used on type Nos. 0030, 0116, 0122, 0123, 0124, 0126, 0130, 0133.		25	294676	Piston Assembly—Standard			
				294677	Piston Assembly—.010" O. S.				

* Included in Gasket Set—
Part No. 294736.

REF. NO.	PART NO.	DESCRIPTION	REF. NO.	PART NO.	DESCRIPTION	REF. NO.	PART NO.	DESCRIPTION
	292103	Ring Set—Piston— .030" O. S. Includes: 210079 Ring— Piston, Comp., Top and Center, .030" O. S. 61337 Ring— Piston, Oil, .030" O. S.	40	68293	Retainer—Valve Spring Collar Note: 292260 Rotocap— Exhaust Valve Used on type Nos. 0023, 0127, 0128, 0130, 0132, 0135.			Note: 92279 Screw—Gear Case Cover (1-1/2" long) Used on type No. 0040.
27	68546	Lock—Piston Pin	41	68283	Collar—Valve Spring	86	291354	Cover Assy.— Gear Case Note: 290574 Cover Assy.— Gear Case Includes: 22723 Shim— .003" thick 22724 Shim— .010" thick 63899 Cup— Bearing 69858 Seal— Oil Used on type No. 0040.
28	298401	Pin Assembly—Piston— Standard	45	63659	Tappet Valve	87	298423	Seal—Oil
	294681	Pin Assembly— Piston—.005" O. S.	46	294699	Gear—Cam	88	27328	Gasket—Gear Case Cover Note: 68247 Gasket—Gear Case Cover Used on type No. 0040.
29	291234	Rod Assembly— Connecting Note: For Connecting Rod with .020" undersize Crankpin Bore — order No. 298787.	50	21769	Elbow—Carburetor Intake	89	91488	Plug—Sq. Hd., 1/8" Pipe
			51	*65647	Gasket—Intake Elbow	90	293950	Carburetor Assembly Note: 291427 Carburetor Assy. Used on type No. 0023. 292106 Carburetor Assembly Used on type No. 0129. 294940 Carburetor Assembly Used on type Nos. 0127, 0132.
30	220871	Dipper—Connecting— Rod	52	*65647	Gasket—Intake Elbow Mounting	91	291655	Body Assembly— Upper Carburetor
31	22947	Lock—Conn. Rod Screw	79	291356	Case Assembly—Gear Note: 291676 Case Assy.— Gear Includes: 63382 Cup— Bearing 230012 Pin— Washer Ret. 220064 Washer— Thrust Used on type No. 0040.	92	99375	Body—Upper Carburetor
32	91162	Screw—Connecting Rod						
33	23835	Valve—Exhaust Note: 26735 Valve—Exhaust Used on type Nos. 0023, 0123, 0127, 0128, 0130, 0132, 0135.	81	220790	Lock—Gear Case Mounting Screw			
34	23836	Valve—Intake Note: 23835 Valve Used on type Nos. 0023, 0123, 0127, 0128, 0130, 0132, 0135.	83	291309	Shaft Assembly— Drive Note: 290638 Drive Shaft, Gear and Bearing Assembly. Includes: 22723 Shim— .003" thick 22724 Shim— .010" thick			
35	65906	Spring—Intake Valve						
36	65906	Spring—Exhaust Valve Note: 26828 Spring—Exhaust Valve Used on type Nos. 0023, 0127, 0128, 0130, 0132, 0135.	85	91386	Screw—Gear Case Cover (2" long)			

* Included in Gasket Set—
Part No. 294736.

† Included in Carburetor Overhaul
Kit—Part No. 291763.

REF. NO.	PART NO.	DESCRIPTION	REF. NO.	PART NO.	DESCRIPTION	REF. NO.	PART NO.	DESCRIPTION		
93	23108	Bushing--Throttle Shaft	111	26155	Spring--Choke Lever			Used on type No. 0120.		
94	† 292681	Valve Assembly--Carburetor Idle	112	23123	Screw--Choke Lever			230768 Stud--Air Cleaner		
95	93038	Screw--Choke and Throttle	113	† 99345	Nozzle--Carburetor			Used on type No. 0133.		
96	62940	Valve--Throttle	114	† 68667	Gasket--Nozzle					
97	291300	Shaft Assembly--Throttle	118	† 99525	Valve--Needle					
98	91920	Screw--Machine, Fill. Head--8-32 x 5/8"		Note:	391213 Valve--Needle	167	66648	Gasket--Air Cleaner Stud		
99	26157	Spring--Throttle Adjustment			Uses: 292226					
100	61967	Stop--Throttle			Retainer Assy.	168	22832	Strap--Air Cleaner Pipe		
101	93043	Pin--Throttle Lever			Needle Valve					
102	† 27034	Gasket--Carburetor Body			68677 Packing--	169	90832	Washer--Lock--1/4 x 3/32 x 5/64"		
103	99333	Float--Carburetor			Needle Valve			Note: 92778 Washer--Lock--Shakeproof		
104	† 230896	Pin--Float Hinge			Packing			Used to mount Blower Hsg. on type Nos. 0127, 0130, 0132, 0135.		
105	299096	Valve--Fuel Inlet	119	90746	Screw--Machine, Fill. Head--10-32 x 5/8"					
107	89915	Body Assembly--Lower Carburetor			Washer--Lock--No. 10 x 1/16 x 3/64"	170	91468	Screw--Cap, Hex. Hd. -- 1/4-20 x 3/8"		
	Note:	291472 Body Assy. -- Lower Carburetor			Note: 92813 Washer--Lock--Shakeproof			171	92129	Nut--Hex. -- 1/4-28
		Used on type Nos. 0127, 0132.			Used to mount Breaker Box on type 0127, 0130, 0132, 0135.	180	291488	Tank Assembly--Fuel (6 Quart)		
108	62872	Valve--Choke						Note: 290816 Tank Assy. -- Fuel (4 Quart)		
	Note:	22954 Valve Choke						Used on type Nos. 0123, 0124, 0125, 0135.		
		Used on type Nos. 0127, 0132.	121	291763	Carburetor Overhaul Kit			291513 Tank Assy. -- Combination Fuel (6 Quart)		
109	89531	Shaft and Lever--Choke						Used on type No. 0129.		
	Note:	291440 Shaft, Vane and Lever Assembly--Automatic Choke	123	93415	Screw--Sem			292415 Tank Assy. -- Fuel		
		291776 Lever Assy. -- Automatic Choke	158	27590	Filter--Carburetor Drain			Used on type No. 0122.		
		Includes: 91941	159	220521	Retainer--Carburetor Drain Filter					
		Screw--Machine, Fil. Hd. -- 8-32 x 7/16"	163	*67247	Gasket--Air Cleaner Mounting					
		Used on type Nos. 0127, 0132.	164	291462	Pipe Assembly--Air Cleaner					
				Note:	296036 Pipe Assembly--Air Cleaner	181	69221	Cap--Fuel Tank		
					Used on type No. 0133.	182	22813	Bracket--Fuel Tank		
110	62899	Washer--Choke Lever	165	92650	Nut--Wing			Note: 221435 Bracket		
			166	230739	Stud--Air Cleaner			92272 Screw--Cap, Hex. Hd. -- ex		
				Note:	23870 Stud--Air Cleaner			5/16-18 x 3/4"(2)		
								90366 Washer--Lock, (2)		
								22963 Washer--Plain (2)		
								Used on type No. 0133.		

* Included in Gasket Set--Part No. 294736.

† Included in Carburetor Overhaul Kit--Part No. 291763.

REF. NO.	PART NO.	DESCRIPTION	REF. NO.	PART NO.	DESCRIPTION	REF. NO.	PART NO.	DESCRIPTION
183	291490	Strap Assembly-- Fuel Tank Note: 291367 Strap Assembly--Fuel Tank Used on type Nos. 0123, 0124, 0125, 0135.	196	22907	Support--Upper Fuel Tank			Note: 296019 Cover Assy. - Fuel Filter Used on type No. 0133.
184	91257	Screw--Machine, Fill. Head-- 1/4-20 x 1-1/4"	201	26674	Link--Throttle	242	295913	Valve--Fuel Shut-Off Note: 293934 Valve--Fuel Shut-Off Used with Tank Out- let 297563 on type Nos. 0022, 0125.
185	90970	Nut--Square--1/4-20	204	23849	Bushing--Control Lever	243	22547	Screen--Fuel Filter
186	63377	Connector--Fuel Pipe Note: 67218 Connector-- Fuel Pipe Used on type Nos. 0022, 0125, 0127, 0133.	206	21772	Nut--Governor Adjusting Note: 93384 Nut--Governor Stop (2) Used on type Nos. 0010, 0020, 0021, 0022, 0030, 0040.	224	53029	Connector--Fuel Pipe Note: 67218 Connector-- Fuel Pipe Used on type Nos. 0022, 0133. 230318 Connector-- Fuel Pipe Used on type No. 0125.
187	29476	Pipe--Fuel Note: 29025 Pipe--Fuel-- 18" long 89248 Pipe--Fuel-- 2-1/4" long 92655 Tee--Pipe Fitting Used on type Nos. 0129. 99591 Pipe--Fuel-- 14-3/4" long Used between Carburetor and Fuel Pump on type Nos. 0127, 0132. 293006 Pipe--Fuel-- 12" long Used on type Nos. 0124, 0130. 299942 Pipe--Fuel (Flexible) Uses: 93053 Clamps Used on type Nos. 0022, 0125. 296004 Pipe--Fuel (Flexible) Uses: 93053 Clamps Used on type No. 0133.	208	23957	Rod--Governor Control Note: 230039 Rod--Gov. Control Used on type Nos. 0010, 0020, 0021, 0022, 0030, 0040.	245	*68477	Gasket--Fuel Filter Bowl
			209	26643	Spring--Governor	246	298683	Bowl--Fuel Filter
			219	291192	Gear Assy.--Governor	247	99665	Yoke Assembly-- Fuel Filter
			223	22814	Lever--Governor Control Note: Control Lever used on type No. 0133 is fur- nished by the equip- ment manufacturer.	266	291460	Control--Throttle
			225	291177	Shaft--Governor Gear	268	65616	Casing--Control Wire-- 72" long Note: If longer casing is re- quired, specify length in inches; if shorter casing is needed, order No. 65616 and cut to re- quired length.
			227	291365	Lever Assembly-- Governor	269	26633	Wire--Control-- 78" long Note: If longer wire is re- quired, specify length in inches; if shorter wire is needed, order No. 26633 and cut to re- quired length.
			230	22826	Washer--Governor Crank	270	63426	Locknut--Control Wire Casing
			240	99910	Filter Assembly-- Fuel Note: 295977 Filter Assembly-- Fuel Used on type No. 0133. 297563 Outlet--Fuel Tank (Less Filter) Includes: 293934 Shut--Off Valve Used on type Nos. 0022, 0125. 298090 Filter--Fuel Used in Fuel Pipe on type Nos. 0022, 0125.	271	290568	Lever Assy.-- Control Note: 93062 Screw--Sem Used to mount Con- trol Lever on type Nos. 0123, 0124, 0126.
188	93535	Screw--Sem	241	99909	Cover Assembly-- Fuel Filter			
189	90366	Washer--Lock-- 5/16 x 1/8 x 1/16"						
192	91397	Nut--Hex.--5/16-18						

* Included in Gasket Set--
Part No. 294736.

REF. NO.	PART NO.	DESCRIPTION	REF. NO.	PART NO.	DESCRIPTION	REF. NO.	PART NO.	DESCRIPTION
285	26684	Link-Choke	332	23949	Nut-Flywheel	347	220197	Switch-Stop
286	291445	Thermostat Assembly		Note:	92799 Nut-Pulley	353	92791	Washer-Lock-Shakeproof
287	90050	Screw-Machine, Rd. Hd. -6-32 x 1/4"			Mounting	354	90576	Nut-Hex: -8-32
288	90362	Washer-Lock-No. 6 x 3/64 x 1/32"			Used on type No. 0135.		Note:	92794 Nut-Hex. -8-32
289	23886	Support-Thermostat Shaft (Outer)			230674 Nut-Flywheel			Used on type Nos. 0127, 0130, 0132, 0135.
290	291444	Tube Assembly-Thermostat	333	290621	Armature and support Assembly	356	295413	Wire-Ground
291	26594	Thermostat			Used on type Nos. 0131, 0133.	357	91540	Key-Pulley Mounting
292	23885	Support-Thermostat Shaft (Inner)		Note:	292318 Armature and support Assembly	358	294736	Gasket Set
293	23884	Stop-Thermostat Shaft			Used on type Nos. 0127, 0130, 0132, 0135.	362	89742	Shield-Spark Plug
294	92678	Screw-Set, Socket Hd. - 6-32 x 5/16"	337	29693	Plug-Spark (with Gasket)		Note:	66538 Elbow-Spark Plug. Used on type No. 0125.
295	23954	Shaft-Thermostat			Used on type Nos. 0130, 0135.	363	19068	Puller-Flywheel (Optional Accessory)
296	291044	Lever Assembly-Thermostat		Note:	29693, 293322 and 293918 Spark Plugs use Ignition Cable Terminal No. 221798.	374	92813	Washer-Lock-Shakeproof No. 1210-06
300	290933	Muffler-Exhaust			291954 Plug-Spark	375	292021	Point Set-Breaker
301	91416	Nipple-Exhaust, Pipe			Used on type Nos. 0130, 0135.	379	22984	Cover-Fuel Pump Hole
302	91310	Locknut-Muffler			293322 Plug-Spark	380	62199	Washer-Plain
303	91296	Elbow-Exhaust 90° Pipe			Used on type Nos. 0127, 0132.	383	89838	Wrench-Spark Plug
304	291280	Housing-Blower			293918 Plug-Spark	386	27314	Gasket-Fuel Pump Mounting and Hole Cover
	Note:	294144 Housing-Blower			Used on type No. 0131.	387	291493	Pump Assembly-Fuel
		Used on type Nos. 0130, 0132.	338	29806	Gasket-Spark Plug	388	220431	Lever-Fuel Pump
		294742 Housing-Blower	339	291447	Box Assembly-Ignition Breaker	389	23783	Pin-Fuel Pump Lever
		Used on type No. 0125.			Note:	390	26616	Spring-Fuel Pump Lever
		297237 Housing-Blower			293222 Box Assy. - Ignition Breaker	391	21695	Body-Fuel Pump
		Used on type No. 0022.			Used on type Nos. 0127, 0130, 0132, 0135.	392	26588	Spring-Fuel Pump Diaphragm
305	93158	Screw-Sem	343	291369	Condenser	393	22740	Screen-Fuel Pump Filter
306	220861	Shield-Cylinder		Note:	292227 Condenser	394	290622	Diaphragm-Fuel Pump
308	294683	Cover-Cylinder Hd.			Used on type Nos. 0127, 0130, 0132, 0135.	395	290623	Valve-Fuel Pump
321	211166	Pulley-V-Belt Starter.			Used on type Nos. 0127, 0130, 0132, 0135.	396	66204	Gasket-Fuel Pump Valve
323	66828	Belt-Vee	345	290882	Cover-Breaker	397	21694	Head-Fuel Pump
325	299308	Pulley-Electric Starter (with Screen)		Note:	292397 Cover-Breaker	400	230010	Wrench-Socket Screw (Use for Ref. No. 294)
328	221531	Guard-Belt			Used on type Nos. 0127, 0130, 0132, 0135.			
329	93294	Screw-Belt Guard Mounting Sem	346	90211	Screw-Breaker Cover Mounting			

REF. NO.	PART NO.	DESCRIPTION	REF. NO.	PART NO.	DESCRIPTION	REF. NO.	PART NO.	DESCRIPTION
492	296028	Starter-Generator (Delco-Remy No. 1101873) Uses: 296182 Pulley (Delco-Remy No. 1949358)		92704	Terminal - Spark Plug 92864 Washer- Lock (Shielding Lead) 92794 Nut- Hex. (Shielding Lead) 220509 Clip- Shieldong Support Used on type Nos. 0127, 0130, 0132, 0135.	567	291364	Crank Assembly-Governor
493	211153	Bracket-Starter				568	290935	Base Assy.-Engine
497	91203	Screw-Cap, Hex. Head- 5/16-18 x 1-3/4"					Note: 21897	Base-Engine Uses: 89859 Nipple- Oil Filler Used on type Nos. 0132, 0135. 294757 Base Assy. - Engine Used on type No. 0022. 297574 Base Assy. - Engine Used on type No. 0133.
500	91325	Washer-Plain				569	*27293	Gasket-Engine Base
501	295924	Regulator-Voltage (Delco-Remy No. 1118988)				570	291377	Support Assembly- Plain Bearing Note: 291378 Support Assembly- Ball Bearing Used only on Model 191431 to 191437 Engines
506	90072	Screw-Machine, Rd. Hd.-8-32 x 5/8"				572	291476	Guide-Front Air
	Note: 92786	Screw- Machine, Rd. Hd. - 8-32 x 5/8"	535	270093	Element-Air Cleaner	573	291211	Plate-Back Note: 293201 Plate-Back Includes: 92786 Screw- Machine, Rd. Hd. - 8-32 x- 5/8"
		Used on type Nos. 0127, 0130, 0132, 0135.	536	297869	Cleaner-Air Note: 291858 Cleaner-Air Used on type No. 0120.			92794 Nut- Hex., 8-32 92864 Washer- Lock- Shakeproof Used on type Nos. 0127, 0130, 0132, 0135.
507	66895	Insulator	550	*22353	Washer-Valve Cover	586	22906	Lock-Flywheel Nut
517	22809	Pulley-Rope Starter Note: 210150 Pulley- Starter Used on type No. 0135.	551	22795	Cover-Valve	590	92578	Screw-Breaker Box Mounting
518	69932	Rope-Starter Note: 295904 Rope- Starter Used on type No. 0133.	552	23837	Bushing-Governor Crank	591	65932	Plug-Camshaft
521	291508	Shielding-Ignition Cable Note: 293195 Shielding Assy. - Ignition Cable Includes: 292412 Elbow- Ignition Cable Uses: 26487 Clamp- Shielding 66298 Bushing- Spark Plug Terminal	553	62222	Cup-Valve Spring	592	90356	Nut-Hex. -10-24
			554	66203	Shaft-Cam			
			556	90887	Screw-Cap, Hex. Head - 3/8-16 x 1-1/4"			
			557	92636	Screw-Cap, Hex. Head - 1/2-20 x 2"			
			558	92268	Washer-Lock- 3/8 x 1/8 x 3/32"			
			559	93294	Screw-Sem			
			560	91984	Pin-Cotter- 1/16 x 1/2" long			
			562	92613	Bolt-Governor Lever			
			563	92863	Screw-Self Tapping, Hex. Head- 1/4-20 x 5/8"			
			564	92980	Screw-Cap, Hex. Head- 1/4-20 x 1/2"			
			565	93142	Screw-Bracket to Base Mounting			
			566	99458	Idling Device			

* Included in Gasket Set-
Part No. 294736.

REF. NO.	PART NO.	DESCRIPTION	REF. NO.	PART NO.	DESCRIPTION	REF. NO.	PART NO.	DESCRIPTION
593	*27295	Gasket-Plain or Ball Bearing Support-.020" thick	650	91814	Screw-Cap, Hex. Head- 3/8-16 x 2"	705	92581	Nut-Hex. 6-40
	*27296	Gasket-Plain or Ball Bearing Support-.005" thick	652	91162	Screw-Link Anchor Mounting	706	22787	Washer-Breaker Plate
	*27297	Gasket-Plain or Ball Bearing Support-.009" thick	653	91442	Screw-Pulley Mtg.	707	90367	Washer-Lock-No. 8 x 5/64 x 1/32"
594	91449	Screw-Bracket Mtg.	669	297187	Bracket-Guard		Note:	92791 Washer-Lock-Shakeproof
596	93347	Screw-Fuel Pump Head Mtg. Sem	692	26719	Spring-Spark Advance			Used to mount Condenser on type Nos. 0127, 0130, 0132, 0135.
605	297171	Bracket-Support	693	291727	Weight-Spark Advance	708	291106	Seal-Oil
606	221471	Strap-Adjusting	694	91324	Washer-Guard to Bracket	709	23829	Eccentric
636	92864	Washer-Lock	695	91146	Screw-Cap, Hex. Head- 1/4-20 x 7/8"	710	21802	Bushing-Oil Seal Clamp
637	66154	Washer-Back Plate Terminal (2)	696	92269	Key-Woodruff	711	90067	Screw-Machine, Rd. Hd.-8-32 x 5/16"
	Note:	66364 Washer-Back Plate Terminal (2) Used on type Nos. 0127, 0130, 0132, 0135.	697	93186	Screw-Cap-Socket Head	712	291370	Shaft Assembly-Breaker
638	26404	Washer-Back Plate Term.	698	295128	Clamp Assembly-Rotor	713	66078	Bushing-Breaker Plate Pivot
	Note:	220282 Washer-Back Plate Terminal Used on type Nos. 0127, 0130, 0132, 0135.	699	291363	Rotor Assembly		Note:	66338 Bushing-Breaker Plate Pivot Used on type Nos. 0127, 0130, 0132, 0135.
639	27299	Gasket-Breaker Cover	700	290880	Coil-Magneto			Used on type Nos. 0127, 0130, 0132, 0135.
640	290930	Lead-Primary		Note:	293013 Coil-Magneto Used on type Nos. 0127, 0130, 0132, 0135.	714	66048	Plate-Insulator
	Note:	293197 Lead-Primary Used on type Nos. 0127, 0130, 0132, 0135.	701	22859	Retainer-Coil		Note:	66318 Plate Insulator Used on type Nos. 0127, 0130, 0132, 0135.
642	221468	Cover-Air Cleaner		Note:	220245 Retainer-Coil Used on type Nos. 0127, 0130, 0132, 0135.	715	92576	Screw-Machine, Hex. Head- 8-32 x 3/16"
643	280001	Cup-Air Cleaner	702	290614	Core-Coil			Used on type Nos. 0127, 0130, 0132, 0135.
644	221466	Base-Air Cleaner		Note:	292319 Core-Coil Used on type Nos. 0127, 0130, 0132, 0135.	716	66068	Washer-Breaker Plate Insulating
646	221472	Brace-Bracket	703	22928	Clip-Armature Spring		Note:	66328 Washer-Breaker Plate Insulating Used on type Nos. 0127, 0130, 0132, 0135.
647	211154	Anchor-Link		Note:	220244 Clip-Armature Spring Used on type Nos. 0127, 0130, 0132, 0135.	717	290840	Crank-Starting
648	91439	Screw-Cap, Hex. Head- 1/4-20 x 3/8"	704	90923	Screw-Sheet Metal, Rd. Hd., Type "A"- No. 6 x 1/4"	718	23850	Pin-Flywheel
649	93546	Screw-Cap, Hex. Head- 5/16-18 x 1-1/4"				762	297651	Electric Starter Generator Kit-12 Volt

* Included in Gasket Set-
Part No. 294736.