

**191700 to 191799**

1 of 2

Notes

# Illustrated Parts List

## Model Series

# 191700 to 191799

TYPE NUMBERS  
0010 through 0016  
0110 through 0129  
0510 through 0526  
0610 through 0706  
5010 through 5153

### TO FIND

**THE CORRECT NUMBER OF THE PART YOU NEED:**

**FOLLOW THE INSTRUCTIONS BELOW**

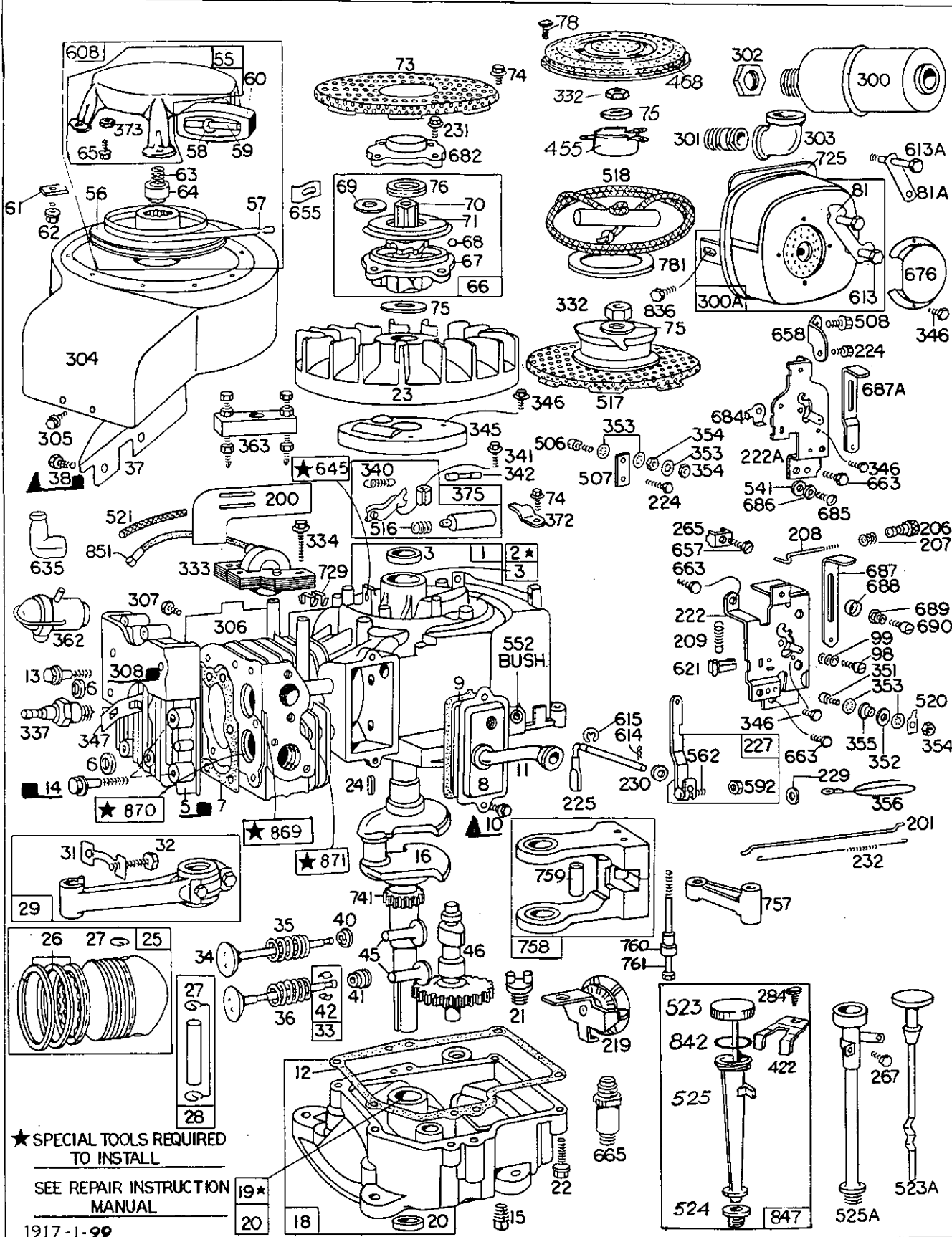
- A. Refer to Engine Model, Type and Code Number that is stamped on the blower housing of engine. Engine type numbers such as 0123 01 are listed herein only as 0123. The two digits (01 or 02, etc.) to the right of the space are not needed for parts identification. Then use the Illustrated Parts List covering these Model Series.
- B. Refer to Illustrated Parts section and compare the old part with illustration. The number on the illustration is the Reference Number. Assemblies include all parts shown in frames. All parts shown in assembly frames on which individual reference numbers are given can be purchased separately.
- C. After the Reference Number has been identified, refer to the Numerical Parts List, where Reference and Master Part Numbers are listed. **THE MASTER PART IS USED ON ALL TYPE NUMBERS EXCEPT THOSE TYPE NUMBERS UNDER "NOTE"**.
- D. If a "Note" appears below the Master Part Number, this means that this part differs from the Master Part for certain types. If the Type Number is listed under "Note", order the part referred to.
- E. If the Engine Type Number does not appear after any part number listed under "Note", use the Master Part Number.
- F. For Type Numbers higher than those covered by this book, please refer to the factory if you are unable to identify the part by comparison.

PRINTED IN U.S.A.



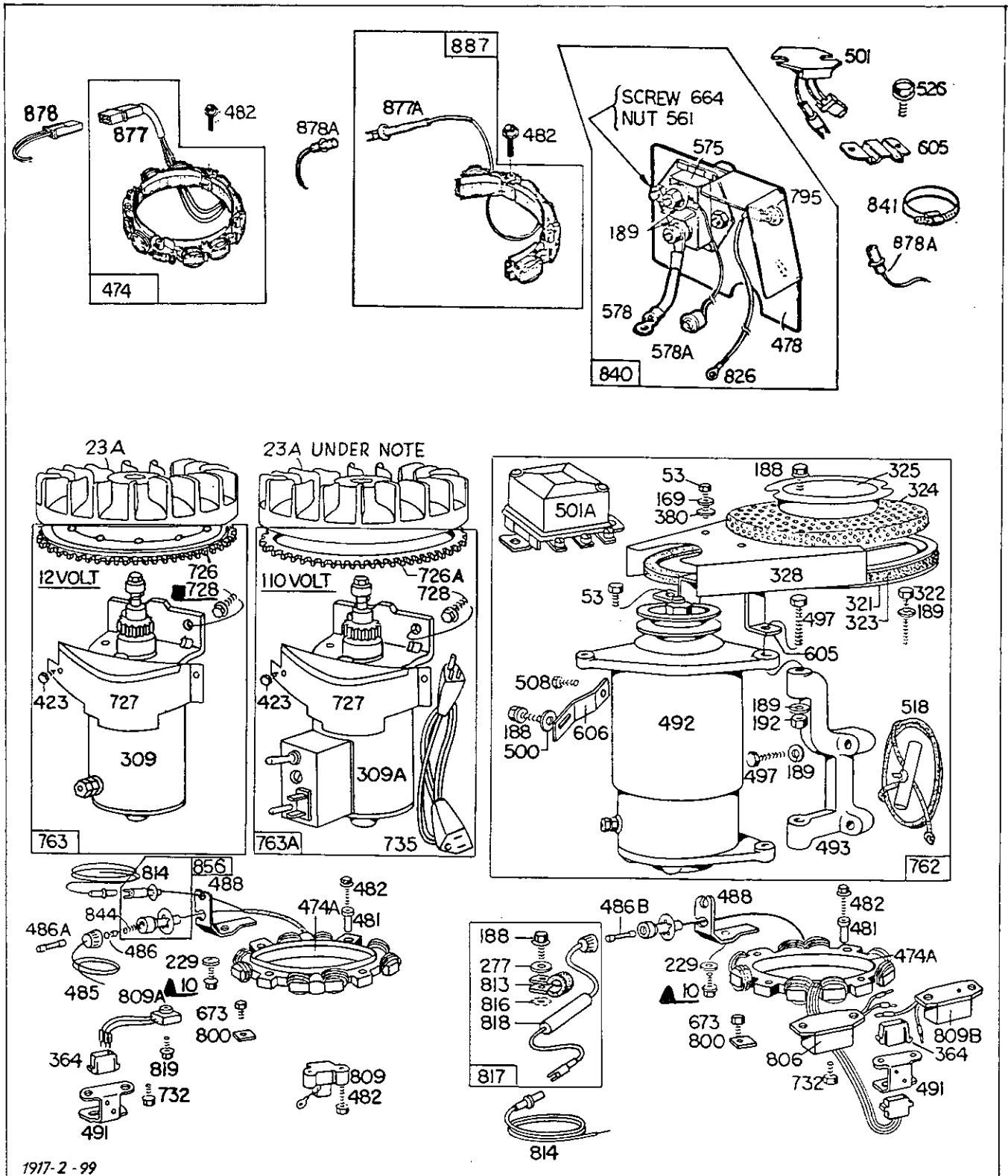
COPYRIGHT ©

# 191700 to 191799



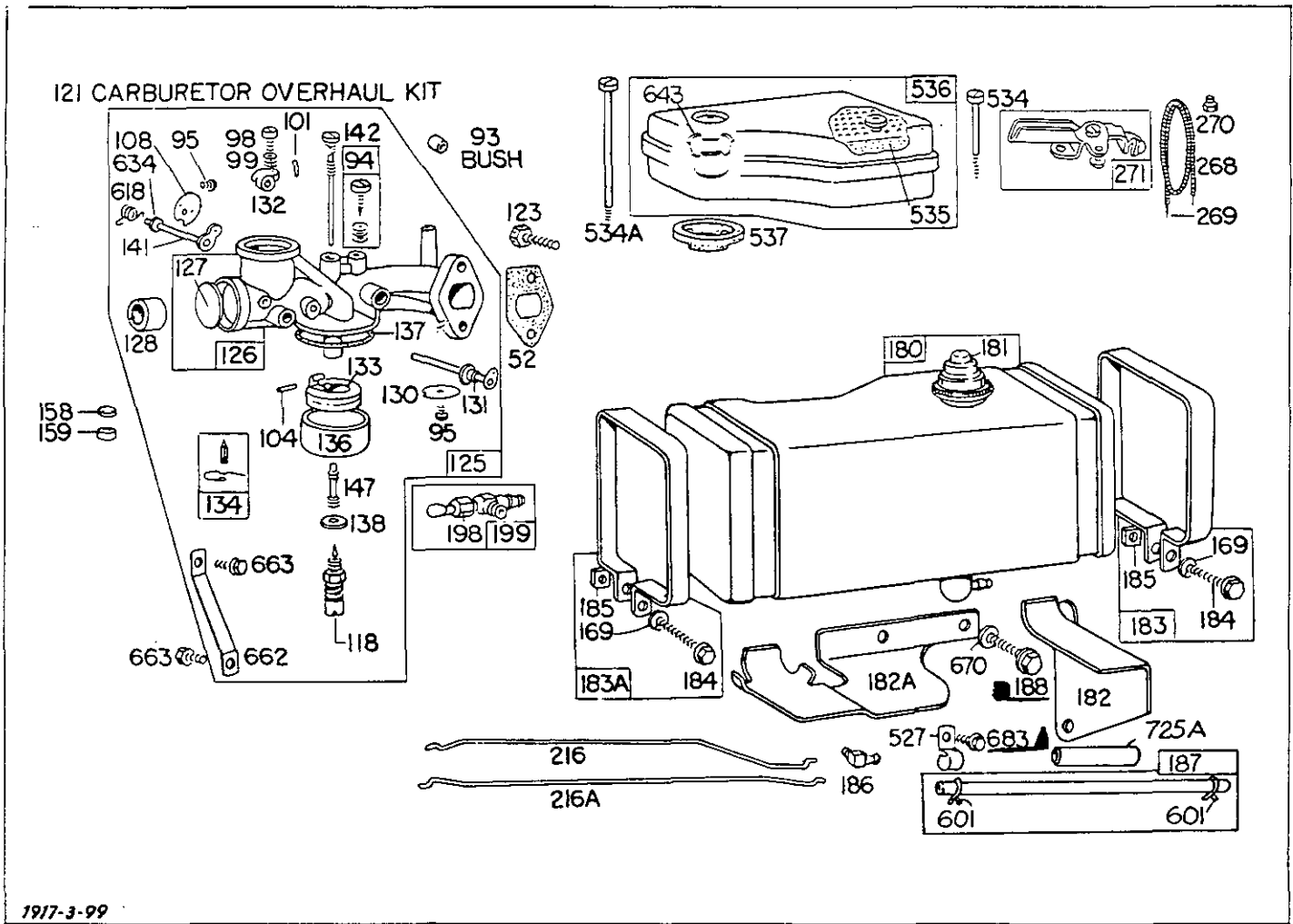
- ▲ 10 - Prod. # 93394.
- ▲ 38 - Prod. # 93335.
- 683 - Prod. # 93067.

Assemblies include all parts shown in frames.

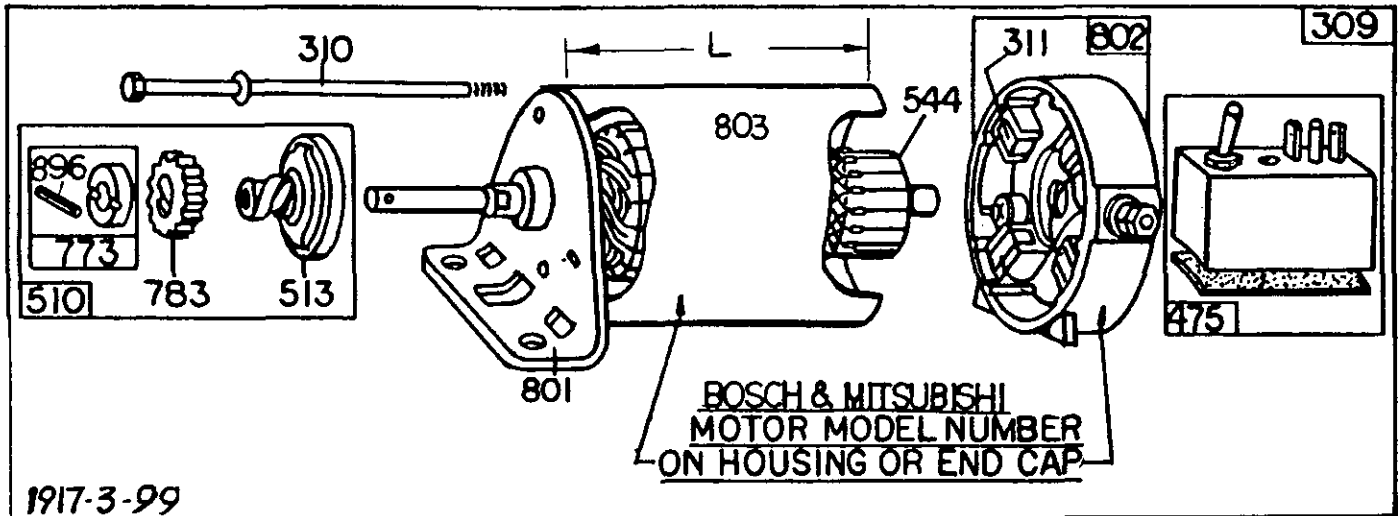


Assemblies include all parts shown in frames.

# 191700 to 191799



Assemblies include all parts shown in frames.



Subject		Ref. No. 309	Ref. No. 510	Ref. No. 801	Ref. No. 544	Ref. No. 803	Ref. No. 802	Ref. No. 311	Ref. No. 310	Ref. No. 475
Starter Motor Mfr. and Motor Model Number		Motor and Drive Assy.	Drive Assembly	End Cap Assy. Drive	Armature Assembly	Housing Assembly	End Cap Assy. Commutator*	Brush Assembly	Thru Bolt Assembly	Rectifier Assembly
American Bosch										
12V	SMH 12-A11	390307	390443	390444	390446	390447	390448	390449	390450	
12V	SME 12-A8	299330	390094	390092	390086	390097	390089		390080	
12V	01965-23-MO-30-SM	390838	391461**	390444	391607	390447	390448	390449	390450	
110V	SME 110-C3	299329†	390094	390091	390088	390096	390098	390081	390080	390099
110V	SME 110-C6	299556	390094	390092	390088	390095	390098	390081	390080	390084
110V	SME 110-C8	299764	390094	390093	390088	390096	390098	390081	390080	390099
Mitsubishi										
12V	MMO-5ML	390307	299963	390454	390456	390452	390455	390990	299962	
12V	MMO-4FL	299330	299963	390454	390457	390453	390455	390990	299962	
12V	MOOIT02271	390838	391461**	391585	391584	390452	390455	390990	93771	
110V	J282188	299329	299963	299964	299968	299967	299965		299962	299966
Briggs & Stratton	Housing Length									
12V	3-1/16"	390838	391461**	392061	390837	390849	390846	391705	391706	
12V	3-1/16"	392749	391461**	392061	392747	392744	390846	391705	391706	

\*Includes Brush Set

\*\*Includes #391135 Clutch Assembly (Ref. No. 513)  
 #280104 Gear (Ref. No. 783)  
 #391462 Retainer and Pin (Ref. No. 773)  
 # 93754 Roll Pin (Ref. No. 896)

†Uses #392247 Switch Shield Assembly

REF. NO.	PART NO.	DESCRIPTION	REF. NO.	PART NO.	DESCRIPTION	REF. NO.	PART NO.	DESCRIPTION
1	393675	Cylinder Assembly Used after Code No. 78092710. <b>Note:</b> 392005 Cylinder Assy. Used before Code No. 78092810.	14	Use 93211 <i>2.4th - 9 lb raised head.</i> <b>Note:</b> Use 3" for pos. #1.	Screw—Cylinder Head (2-21/32" long) 93583 Stud—Cylinder Head (1) 22963 Washer (1) Used on type Nos. 0638, 0642, 0646, 0650, 0651, 0700, 5138, 5149.			For use on engines <i>WITH ALTERNATOR</i> . (Includes aluminum ring gear). For use only with starter motors with Plastic Drive Gear. <b>Note:</b> 392034 Flywheel and Ring Gear Assy. — Magneto
2	391726	Bushing—Cylinder <b>Note:</b> Requires Special Tools for Installation	15	91084	Plug—Oil Drain <b>Note:</b> 93418 Plug—Oil Drain (Hex. Socket) Used on type No. 0124.			For use only on electric starter engines <i>WITHOUT ALTERNATOR</i> (Includes aluminum ring gear). For use only with starter motors with Plastic Drive Gear. 390180 Flywheel—Magneto
3	294606	Seal—Oil			93448 Plug—Oil Drain (Hex. Socket) Used on type Nos. 0120, 0626, 0639, 0640, 0645, 0654, 0698.			For use on engines <i>WITH ALTERNATOR</i> —machined to accept <i>STEEL</i> ring gear (not included). 299375 Flywheel—Magneto
5	211778	Head—Cylinder <i>212286 Raised</i>	16	390370	Crankshaft <b>Note:</b> 390549 Crankshaft Used on type Nos. 0124, 0127, 0632, 0670, 0671, 5133, 5134, 5139. 390622 Crankshaft Used on type Nos. 0125, 0628, 0658. 391763 Crankshaft Used on type Nos. 0673, 0678, 0680, 0681, 0702, 5017, 5027, 5130, 5131, 5132, 5135, 5136, 5137, 5141, 5142, 5146, 5151.			For use on engines <i>WITHOUT ALTERNATOR</i> —machined to accept <i>STEEL</i> ring gear (not included).
6	22963	Washer—Flat	18	392548	Sump—Oil <b>Note:</b> 390479 Sump—Oil Used on type Nos. 0120, 0626, 0639, 0640, 0645, 0654, 0698.	24	61760	Key—Flywheel
7	270430	Gasket—Cylinder Head	19	295963	Bushing—Oil Sump <b>Note:</b> Requires special tools for installation.	25	391673	Piston Assy.—Std.
8	299848	Breather Assembly <b>Note:</b> 391406 Breather Assembly Used on type Nos. 5015, 5016, 5017, 5025, 5026, 5027, 5125, 5126, 5127, 5128, 5129, 5130, 5131, 5132, 5133, 5134, 5135, 5136, 5137, 5138, 5139, 5140, 5141, 5142, 5143, 5144, 5145, 5146, 5147, 5148, 5149, 5150, 5151, 5152.	20	298423	Seal—Oil	391674	391674	Piston Assembly—.010" O.S.
9	27803	Gasket—Valve Cover	21	66768	Plug—Oil Filler	391675	391675	Piston Assembly—.020" O.S.
10	93536	Screw—Sem	22	93585	Screw—Sump Mounting Sem	391676	391676	Piston Assembly—.030" O.S.
11	280005	Tube—Breather	23	298260	Flywheel—Magneto			
12	27750	Gasket—Crankcase Cover—1/64" thick 27876 Gasket—Crankcase Cover—.005" thick 27877 Gasket—Crankcase Cover—.009" thick	23A	391983	Flywheel and Ring Gear Assy.—Magneto			
13	93113	Screw—Cylinder Head (2-5/16" long) <b>Note:</b> 93583 Stud—Cylinder Head (1) 22963 Washer (1) Used on type Nos. 0650, 0651, 0700, 0704, 5149. 93583 Stud—Cylinder Head (2) 93826 Washer (4) 91397 Nut, Hex. (2) Used on type No. 5148.						<b>PISTON RING SETS:</b> <b>Note:</b> For Chrome Piston Ring Set—Standard Size—order No. 299743. 26 391669 Ring Set—Piston—Std. 391670 Ring Set—Piston—.010" O.S. 391671 Ring Set—Piston—.020" O.S. 391672 Ring Set—Piston—.030" O.S.

◆ Included in Gasket Set—Part No. 299577.

REF. NO.	PART NO.	DESCRIPTION	REF. NO.	PART NO.	DESCRIPTION	REF. NO.	PART NO.	DESCRIPTION
27	68546	Lock—Piston Pin	56	295871	Pulley—Rewind Starter	70	298799	Ratchet—Rewind Starter Clutch
28	295840	Pin Assembly—Piston—Standard		<b>Note:</b>	Includes 63" Rope; if longer Rope is required, order Rope No. <b>66894</b> and cut to required length.	71	221653	Washer—Retainer
	295841	Pin Assembly—Piston—.005" O. S.					<b>Note:</b>	<b>222277</b> Cover—Housing Used on type Nos. 0526, 0636, 0637, 0639, 0645, 0648, 0651, 0653, 0659, 0661, 0668, 0670, 0674, 5127, 5128, 5129, 5131, 5132, 5134, 5136, 5138, 5139, 5142.
29	390402	Rod Assy.—Connecting	57	294303	Spring—Rewind Starter	73	221796	Screen—Rewind Starter
	<b>Note:</b>	For Connecting Rod with .020" Undersize Crankpin Bore — order No. <b>390773</b> .	58	66884	Rope—Rewind Starter—63" long for use with Plastic Pulley; if longer Rope is needed, order No. <b>66894</b> and cut to required length.	74	93042	Screw—Sem
31	222114	Lock—Conn. Rod Screw		<b>Note:</b>	<b>66564</b> Rope—Rewind Starter—63" long for use with Steel Pulley; if longer rope is needed order No. <b>66574</b> and cut to required length.		<b>Note:</b>	<b>93805</b> Screw—Sem Used to Mount Screen Hole Cover on type Nos. 0526, 0636, 0637, 0639, 0645, 0648, 0651, 0653, 0659, 0661, 0668, 0670, 0674, 5127, 5128, 5129, 5131, 5136, 5138, 5139, 5142.
32	92659	Screw—Conn. Rod	59	230228	Pin—Starter Grip	75	220865	Washer—Spring
33	390419	Valve—Exhaust	60	66728	Grip—Starter Rope	76	68238	Washer—Ratchet Sealing
34	261055	Valve—Intake	61	68848	Bumper—Starter Pulley	78	93808	Screw—Sem
35	65906	Spring—Intake Valve	62	93254	Screw—Pulley Bumper Mounting	81	222263	Lock—Screw
36	26828	Spring—Exhaust Valve	63	260414	Spring—Ratchet	81A	222265	Lock—Screw
37	222475	Guard—Flywheel	64	230543	Adapter—Ratchet Spring	93	23108	Bushing—Throttle Shaft
38	93777	Screw—Sem 1/2" L.	65	93067	Screw—Stamped Steel Rewind Starter Housing Mtg. Sem	94	† 292681	Valve Assembly—Carburetor Idle
40	221596	Retainer—Intake Valve		<b>Note:</b>	<b>93572</b> Screw—Cast Rewind Starter Housing Mtg. Sem	95	93499	Screw—Throttle and Choke Valve Mtg. Sem
41	292260	Rotocoil—Exhaust Valve	66	298798	Clutch Assembly—Rewind Starter	98	91920	Screw—Machine, Fill. Hd. 8-32 x 5/8"
42	93630	Retainer—Exhaust Valve Rotocoil (2)	66A	393117	Clutch Assembly—Rewind Starter For Engines with <b>Ring Gear</b> on Flywheel equipped for or with <b>Electric Motor</b> .	99	26157	Spring—Throttle Adjustment
45	260933	Tappet—Valve	67	212132	Housing—Rewind Starter Clutch	101	93043	Pin—Throttle Stop
46	211689	Gear—Cam	67A	261453	Housing—5/8-18 Thread For Engines with <b>Ring Gear</b> on Flywheel equipped for or with <b>Electric Motor</b> .	104	† 230896	Pin—Float Hinge
52	† 270538	Gasket—Carburetor Mounting				108	222010	Valve Choke
	<b>Note:</b>	<b>270824</b> Gasket—Carburetor Mounting Used on type Nos. 5015, 5016, 5017, 5025, 5026, 5027, 5125, 5126, 5127, 5128, 5129, 5130, 5131, 5132, 5133, 5134, 5135, 5136, 5137, 5138, 5139, 5140, 5141, 5142, 5143, 5144, 5145, 5146, 5147, 5148, 5149, 5150, 5151, 5152.	68	63770	Ball—Clutch	118	† 391233	Valve—Needle
53	93357	Screw—Sem	69	66718	Washer—Starter Clutch, Thrust	121	299852	Carburetor Overhaul Kit
55	393576	Housing—Rewind Starter (Stamping)				123	93357	Screw—Carburetor Mtg.
	<b>Note:</b>	<b>295272</b> Housing—Rewind Starter (Casting) Used with Metal Pulley. When not available, order No. <b>390391</b> .				125	390811	Carburetor Assembly (Choke-A-Matic)
							<b>Note:</b>	<b>390411</b> Carburetor Assembly (Manual Choke)

♦ Included in Gasket Set—Part No. 299577.

† Included in Carburetor Overhaul Kit—Part No. 299852.

REF. NO.	PART NO.	DESCRIPTION	REF. NO.	PART NO.	DESCRIPTION	REF. NO.	PART NO.	DESCRIPTION
		Used on type Nos. 0016, 0110, 0111, 0112, 0113, 0114, 0115, 0121, 0122, 0125, 0516, 0610, 0611, 0612, 0613, 0614, 0615, 0628, 0630, 0638, 0658, 0662, 0664, 0665, 0685, 0687, 0689, 0691, 0693, 0701, 5016, 5125.			Used on type Nos. 0123, 0124, 0126, 0127, 0128, 0129.	209		<b>Governor Springs below used after Code No. 75110911.</b>
126	299851	Body Assembly Carburetor	142	† 299740	Nozzle—Carburetor	261306		Spring—Governor
127	† 221997	Plug—Weich	147	† 230932	Screw—Nozzle	Note:		<b>260871</b> Spring—Gov. Used on type No. 0701.
128	211682	Venturi—Carburetor	158	27590	Filter—Carburetor Drain			<b>261129</b> Spring—Gov. Used on type Nos. 0636, 0642, 0646, 0670, 0671, 5130, 5131, 5134, 5139, 5146.
130	221986	Valve—Throttle	159	211954	Retainer—Carburetor Drain Filter (Die Cast)			<b>261130</b> Spring—Gov. (For 2000 to 2600 R. P. M. )
131	391512	Shaft and Lever—Throttle	Note:		<b>220521</b> Retainer—Carburetor Drain Filter (Steel Stamping)			Used on type No. 5125.
132	211712	Stop—Throttle	169	90832	Washer—Lock—1/4 x 3/32 x 5/64"			<b>Governor Springs below used before Code No. 75111011.</b>
133	299707	Float—Carburetor	180	390225	Tank Assembly—Fuel (3 Quart)	261129		Spring—Governor
134	† 299096	Valve—Fuel Inlet	181	392300	Cap—Fuel Tank	Note:		<b>260723</b> Spring—Gov. Used on type Nos. 0010 thru 0130; also used on type Nos. 0642, 0646, 0674, 5129.
136	221995	Bowl—Float	182	222813	Bracket—Fuel Tank (R. H. )			<b>260931</b> Spring—Gov. Used on type Nos. 0636, 0670, 0671, 5017, 5027, 5130, 5131, 5132, 5133, 5134, 5139, 5141, 5142, 5146.
137	† 270511	Gasket—Float Bowl	182A	222112	Bracket—Fuel Tank (L. H. )			<b>261130</b> Spring—Gov. Used on type No. 5125.
138	† 222014	Washer—Float Bowl	183	390406	Strap Assy. —Fuel Tank (R. H. )	216	261117	Link—Choke Used on type Nos. 0515 and up with Choke-A-Matic.
141	390684	Shaft and Lever—Choke	183A	390405	Strap Assy. —Fuel Tank (L. H. )	216A	260979	Link—Choke
Note:		<b>299647</b> Shaft and Lever—Choke	184	93803	Screw—Hex. Hd.	Note:		Used on type Nos. 0015 thru 0129 with Choke-A-Matic.
Uses:		<b>23270</b> Screw—Choke Lever	185	90970	Nut—Square, 1/4-20			<b>219</b> 392718 Oil Slinger, Gov. Gear and Bracket Assembly Used after Code No. 75110911.
		<b>26229</b> Spring—Choke Lever	186	67218	Connector—Fuel Pipe			
		<b>220899</b> Washer—Choke Lever	187	296004	Pipe—Fuel			
		Used on type Nos. 0016, 0110, 0111, 0112, 0113, 0114, 0115, 0121, 0122, 0125, 0516, 0610, 0611, 0612, 0613, 0614, 0615, 0628, 0630, 0638, 0658, 0662, 0664, 0665, 0685, 0687, 0689, 0691, 0693, 0701, 5016, 5125.	188	93535	Screw—Sem $\frac{3}{4}$ "L,			
		<b>299746</b> Shaft and Lever—Choke	Note:		<b>93623</b> Screw			
					<b>90366</b> Washer—Lock Used to mount Screen to Pulley on type No. 0638.			
			189	90366	Washer—Lock—5/16 x 1/8 x 1/16"			
			192	91397	Nut—Hex. 5/16-18			
			198	293934	Valve—Fuel Shut-Off			
			199	390303	Connector—Fuel Pipe			
			200	221760	Guide—Air			
			201	260971	Link—Governor			
			206	230149	Nut—Gov. Control Rod			
			207	26855	Spring—Gov. Control Rod			
			208	230841	Rod—Governor Control			

† Included in Carburetor Overhaul Kit—Part No. 299852.



REF. NO.	PART NO.	DESCRIPTION	REF. NO.	PART NO.	DESCRIPTION	REF. NO.	PART NO.	DESCRIPTION
	<b>298614</b>	Oil Slinger, Gov. Gear and Bracket Assembly Used before Code No. 75111011.	<b>268</b>	<b>65616</b>	Casing—Control Wire—72" long <b>Note:</b> If longer casing is required, specify length in inches; if shorter casing is needed, order No. <b>65616</b> and cut to required length.	<b>302</b>	<b>261409</b>	Locknut—Muffler and Elbow
<b>222</b>	<b>390662</b>	Plate—Gov. Control <b>Note:</b> <b>390661</b> Plate—Gov. Control Used on type Nos. 0516, 0610, 0611, 0612, 0613, 0614, 0615, 0628, 0630, 0638, 0658, 0662, 0664, 0665, 0685, 0687, 0689, 0691, 0693, 0701, 5016, 5125.		<b>269</b>	<b>26633</b> Wire—Control—78" long <b>Note:</b> If longer wire is required, specify length in inches; if shorter wire is needed, order No. <b>26633</b> and cut to required length.	<b>303</b>	<b>91205</b>	Elbow—Muffler—90° <b>Note:</b> <b>91464</b> Elbow—Muffler, 90°, Street Used on type Nos. 0636, 0653, 5125.
<b>222A</b>	<b>298997</b>	Plate—Gov. Control Used on type Nos. 0010 thru 0130 except as noted below. <b>Note:</b> <b>298998</b> Plate—Gov. Control Used on type Nos. 0120, 0123, 0124, 0126, 0127, 0128, 0129.	<b>270</b>	<b>63426</b>	Locknut—Control Wire Casing	<b>304</b>	<b>299853</b>	Housing—Blower <b>Note:</b> <b>299392</b> Housing—Blower Used on engines with Electric Starters (Ref. No. 309) except see other numbers in this group for type Nos. 0686, 0692, 0694, 0695, 0696, 0700, 0703, 0704, 0705, 0706, 5025, 5026, 5027, 5125, 5126, 5127, 5128, 5129, 5130, 5131, 5132, 5133, 5134, 5135, 5136, 5137, 5138, 5139, 5140, 5141, 5142, 5143, 5144, 5145, 5146.
<b>224</b>	<b>93067</b>	Screw—Sem	<b>271</b>	<b>290568</b>	Lever Assy.—Control			
<b>225</b>	<b>231058</b>	Crank—Governor (1/4" Dia.) Used after Code No. 75110911. <b>Note:</b> <b>231071</b> Crank—Gov. (3/16" Dia.) Used before Code No. 75111011.	<b>277</b>	<b>22776</b>	Washer—Flat <b>Note:</b> <b>22358</b> Washer—Flat Used on type No. 0125.			
			<b>284</b>	<b>93804</b>	Screw—Clamp Mtg.			<b>299861</b> Housing—Blower Used on type Nos. 0113, 0121, 0122, 0128, 0613, 0625, 0630, 0638.
			<b>300</b>	<b>390249</b>	Muffler—Exhaust <b>Note:</b> <b>390578</b> Muffler—Exhaust Used on type Nos. 0660, 0661.			<b>391379</b> Housing—Blower Used on type Nos. 5025, 5026, 5027, 5127, 5128, 5129, 5131, 5132, 5134, 5136, 5138, 5139, 5142, 5144, 5145, 5146, 5147, 5149, 5150, 5153.
<b>227</b>	<b>391733</b>	Lever Assy.—Governor For 1/4" Dia. Crank Used after Code No. 75110911. <b>Note:</b> <b>298303</b> Lever Assy.—Governor For 3/16" Dia. Crank Used before Code No. 75111011.	<b>300A</b>	<b>391313</b>	Muffler—Exhaust <b>Note:</b> <b>390147</b> Muffler—Exhaust Used on type No. 0627. <b>390580</b> Muffler—Exhaust Used on type No. 0120. <b>390755</b> Muffler—Exhaust Used on type Nos. 0626, 0631, 0639. <b>391370</b> Muffler—Exhaust Used on type Nos. 0702, 5130, 5131, 5132.			<b>391395</b> Housing—Blower Used on type Nos. 5015, 5016, 5017, 5125, 5126, 5130, 5133, 5135, 5137, 5141, 5143, 5151, 5152.
<b>229</b>	<b>220680</b>	Washer—Flat						<b>392057</b> Housing—Blower Used on type Nos. 5140, 5148.
<b>230</b>	<b>222450</b>	Washer—Gov. Lever (1/4" I. D.) <b>Note:</b> <b>221559</b> Washer—Gov. Lever (3/16" I. D.)	<b>301</b>	<b>91245</b>	Nipple—Exhaust			
<b>231</b>	<b>93064</b>	Screw—Sem						
<b>232</b>	<b>260584</b>	Spring—Governor Link						
<b>265</b>	<b>221535</b>	Clamp—Casing						
<b>267</b>	<b>93612</b>	Screw—Clamp Mounting						

REF. NO.	PART NO.	DESCRIPTION	REF. NO.	PART NO.	DESCRIPTION	REF. NO.	PART NO.	DESCRIPTION	
305	93158	Screw—Blower Housing Mounting Sem	323	68588	Belt—Vee			0664, 0669, 0676, 0680, 0681, 0682, 0687, 0689, 0690, 0700, 0705, 5015, 5016, 5017, 5025, 5026, 5027, 5149.	
	Note:	93294 Screw—Sem Used to mount Blower Housing to Cylinder Head on type Nos. 0121, 0122, 0128, 0625, 0630, 0638.	324	221067	Screen—Rotating	358	299577	Gasket Set	
				Note:	222302 Screen—Blower Housing	362	291630	Shield—Spark Plug	
				Uses:	93572 Screw (8)	363	19203	Puller—Flywheel (2-13/16" hole spacing) (Optional Accessory)	
					231020 Spacer (4) Used on type No. 5146.		Note:	19165 Puller—Flywheel (2" hole spacing)	
306	222830	Shield—Cylinder	325	299307	Pulley—Rope Starter (with Screen)	364	280081	Socket—Regulator and Rectifier Lead Wire	
	Note:	392438 Shield—Cylinder Used on type No. 5148.	328	221447	Guard—Belt	372	220477	Clamp—Condenser	
			332	92284	Nut—Flywheel	373	92987	Nut—Hex. (4)	
307	93163	Screw—Cylinder Shield Mtg. Sem	333	298968	Armature Assembly	375	294628	Breaker Points and Condenser Set	
	Note:	93828 Screw—Cyl. Shield Mtg.	334	93381	Screw—Armature Mounting Sem		Note:	299061 Ignition Kit Includes:	
		92290 Washer—Lock Used on type No. 5148.	337	298809	Plug—Spark (1-1/2" high—37-42 M. M.)			294628 Point Set	
				Note:	Spark Plugs use Ignition Cable Terminal No. 221798.			65704 Plunger	
308	221901	Cover—Cylinder Head			29693 Plug—Spark (2" high—51 M. M.)			61760 Key—Flywheel	
	Note:	222351 Cover—Cylinder Head Used on type Nos. 5015, 5016, 5017, 5025, 5026, 5027, 5125, 5126, 5127, 5128, 5129, 5130, 5131, 5132, 5133, 5134, 5135, 5136, 5137, 5138, 5139, 5140, 5141, 5142, 5143, 5144, 5145, 5146, 5147, 5149, 5150, 5151, 5152.	340	26018	Spring—Breaker Arm	380	62199	Washer—Plain	
			341	93381	Screw—Breaker Arm Mounting Sem	422	222502	Clamp—Oil Filler Tube	
			342	65704	Plunger—Breaker Point	423	93410	Screw—Sem	
			345	222117	Cover—Breaker Point	455	222561	Cup—Screen Mounting	
			346	93705	Screw—Sem	468	222562	Screen—Flush Rotating	
			347	220884	Switch—Stop (Use for 1-1/2" High—37 and 42 M. M. Spark Plug)	474	393474	Stator—Alternator (Dual Circuit)	
				Note:	221808 Switch—Stop (Use for 2" High Spark Plug)		Note:	393295 Stator—Alternator (10 Amp.)	
						474A	393800	Stator—Alternator (Diode type) (Used in place of Fuse Type)	
							Note:	393809 Stator—Alternator (Diode type) Used on type Nos. 0686, 0694, 0695, 5127, 5136, 5145, 5146, 5150, 5153.	
			351	93735	Screw—Terminal (Truss Hd.)			474B	Stator—Alternator (Order No. 391735)
				Note:	91920 Screw—Terminal (Fill. Hd.)		Note:	Used on type Nos. 0115, 0120, 0123, 0124, 0125, 0126, 0127.	
			352	66068	Washer—Insulating	478	222751	Panel—Instrument	
			353	92791	Washer—Lock—Shakeproof (3)	481	230976	Bushing—Stator (Loose)	
			354	90576	Nut—Hex.—8-32 (2)				
			355	66554	Collar—Insulating				
			356	299500	Wire—Ground				
				Note:	391255 Wire—Jumper Used in addition to No. 299500 Ground Wire on type Nos. 0516, 0525, 0526,				
309		Motor—Starting (12 Volt)							
		See Chart for Replacement Parts for Starting Motors on Page 4							
309A		Motor—Starting (110 Volt)							
		See Chart for Replacement Parts for Starting Motors on Page 4							
321	210899	Pulley—Starter Drive							
322	90931	Screw—Cap, Hex. Hd.—1/4-20 x 2-1/4"							

Raised

REF. NO.	PART NO.	DESCRIPTION	REF. NO.	PART NO.	DESCRIPTION	REF. NO.	PART NO.	DESCRIPTION
482	93621	Screw—Sem	525A		Tube—Oil Filler (Order No. 392066) Uses No. 93612	601	93053	Clamp—Fuel Pipe
485	390888	Knob Assy.—Fuse			Screw to fasten	605	222934	Bracket—Regulator
486	391507	Diode—Alternator			Clamp to Blower Hsg. on type No. 0636.	605A	298758	Bracket—Guard
486A	67125	Fuse—7-1/2 Ampere				606	221790	Strap—Adjusting
486B	67345	Fuse—15 Ampere				608	390391	Starter Assy.—Rewind
	Note:	Used on type Nos. 0115, 0123, 0124, 0125.		Note:	230553 Pipe—Oil Filler	613	93704	Screw—Muffler
488	222211	Bracket—Output			Used on type No. 5125.	613A	93549	Screw—Muffler Mtg. Note: 93642 Screw—Muffler Mounting Used on type Nos. 0626, 0631, 0639.
491	222115	Bracket—Rectifier	526	93343	Screw—Regulator	614	93306	Cotter—Hair Pin
492	390555	Starter—Generator (12 volt) (Delco-Remy No. 1101695 and Pulley Delco-Remy No. 1949358)	527	221428	Clamp (2)	615	93307	Retainer—E-Ring
			534	93622	Screw—Air Cleaner	618	261116	Spring—Choke Return
493	211594	Bracket—Lower Starter	534A	93323	Screw—Air Cleaner	621	297472	Switch—Stop
497	91203	Screw—Cap, Hex. Hd. —5/16-18 x 1-3/4"	535	270528	Element—Air Cleaner	634	270382	Washer—Choke Shaft
500	91325	Washer—Plain	536	390379	Cleaner Assembly—Air Note: 391399 Cleaner Assembly—Air Uses: 280111 Support—Air Cleaner Element (Plastic) Used on type Nos. 5015, 5016, 5017, 5025, 5026, 5027, 5125, 5126, 5127, 5128, 5129, 5130, 5131, 5132, 5133, 5134, 5135, 5136, 5137, 5138, 5139, 5140, 5141, 5142, 5143, 5144, 5145, 5146, 5147, 5148, 5149, 5150, 5151, 5152.	635	66538	Elbow—Spark Plug
501	393374	Regulator—Alternator (10 Amp. )				643	222149	Cut—Air Cleaner
501A	295924	Regulator—Voltage (Delco-Remy No. 1118988)				645	23513	Bushing—Plunger
506	90200	Screw—Terminal				655	222598	Anchor—Spring Used after Code No. 73061011. Note: 221014 Anchor—Spring Used before Code No. 73061111.
507	66895	Insulator—Terminal				657	93496	Screw—Sem Note: 93543 Screw—Sem Used on type Nos. 0125, 0628, 0630, 0638.
508	93294	Screw—Sem (Control Plate Strap and Blower Housing Mounting)				658	221576	Strap—Control Plate Note: 221827 Strap—Control Plate Used on type Nos. 0123, 0124, 0126, 0127, 0129.
516	260374	Spring—Connector	537	270539	Gasket—Air Cleaner	662	222027	Bracket—Carburetor
517	295423	Pulley—Rope Starter (with screen) Note: 297887 Pulley—Rope Starter Used on type No. 5125.	541	22398	Washer	663	93572	Screw
			552	231055	Bushing—Gov. Crank (1/4" I. D.) Used after Code No. 75110911. Note: 230927 Bushing—Gov. Crank (3/16" I. D.) Used before Code No. 75111011.	664	93415	Screw—Sem
518	69932	Rope—Starter				665	296768	Oil Minder
520	93722	Terminal—Spade				670	22963	Spacer—Fuel Tank (4)
521	298529	Shielding—Ignition Cable				673	93705	Screw
523	391840	Cap and Dipstick— Oil Filler				676	222292	Deflector—Exhaust Note: 222417 Deflector— Exhaust (Louvered) Used on type Nos. 0636, 0686, 0688, 0695, 0699, 5138, 5141, 5142, 5146, 5150, 5152. 222406 Deflector— Exhaust (Direct Out) Used on type Nos. 0656, 0659, 0706.
523A	392066	Cap and Dipstick— Oil Filler Note: 295923 Cap and Dipstick—Oil Filler Uses: 65304 Gasket Used on type No. 5125.	561	92278	Nut—Hex. (1/4-20)			
			562	92613	Bolt—Governor Lever			
524	68838	Seal—Filler Tube	575	299139	Switch—Starting			
525	280133	Tube—Oil Filler	578	392683	Wire—Starter Switch			
			578A	393109	Wire—Switch (Starter Switch to Alternator)			
			592	231082	Nut—Hex. , 10-24			

REF. NO.	PART NO.	DESCRIPTION	REF. NO.	PART NO.	DESCRIPTION	REF. NO.	PART NO.	DESCRIPTION
682	211516	Shield-Starter Clutch	735	390966	Cord-Starter	814	390867	Wire-Assembly-7 Amp. Alternator
683	93572	Screw		Note:	390748 Cord-Starter (for Canadian use only)	816	93664	Washer-Lock-Shakeproof
684	221781	Stop-Control Lever	741	261195	Gear-Timing		Note:	90364 Washer-Lock-No. 8 x 3/64 x 1/32 Used on type No. 0125.
685	93524	Screw-Machine, Rd. Hd. -5-40 x 1/2"	757	212359	Link-Counterweight Used after Code No. 78092710.	817	390627	Diode Assy. - Isolation
686	91622	Washer-Lock		Note:	211675 Link-Counterweight Used before Code No. 78092810.		Note:	390624 Diode Assy. - Isolation Used on type No. 0125.
687	390690	Slide-Friction Control	758	390172	Counterweight Assy.			For Isolation Diode Kit for 7 Amp. Alternator - order No. 390607.
687A	298957	Slide-Friction Control	759	298909	Pin-Counterweight	818	390608	Diode-Isolation
688	221766	Cap-Friction Spring	760	230940	Spacer-Counterweight	819	93680	Screw-Sem
689	260847	Spring-Friction	761	93874	Screw-Counterweight	826	393110	Wire-Panel (Starter Switch to Ground Wire Terminal)
690	92484	Screw-Machine, Fil. Hd. -10-32 x 1/2"	762	296147	Electric Starter-Generator Kit-12 Volt (high position)	836	93559	Screw-Sem
725	221885	Shield-Heat	763	391604	Electric Starter Kit-12 Volt (Gear Drive)	840	392918	Panel Kit-Starter (Toggle Switch)
725A	222175	Shield-Fuel Pipe, Heat	763A	299914	Electric Starter Kit-110 Volt (Gear Drive)		Note:	392725 Panel Kit-Starter (Key Switch)
726	392134	Gear-Ring (Aluminum) (Includes Mtg. Parts) Used after Code No. 75022611. For use only with Starter Motors with Plastic Drive Gear	781	280068	Cap-Starter Pulley	841	393514	Clamp-Regulator
	Note:	391246 Gear-Ring (Aluminum) (Includes Mtg. Parts) Used before Code No. 75022711. For use only with Starter Motors with Plastic Drive Gear	795	392697	Switch-Ignition (Toggle)	842	270920	Seal-Filler Cap
				Uses:	93888 Nut-Hex.	844	261269	Spring-Diode
				Note:	392833 Switch-Ignition (Key)	847	392066	Filler Group-Oil
726A	299543	Gear-Ring (Steel) (Includes Mtg. Parts) For use only with Starter Motors with Steel Drive Gear	800	222212	Retainer	851	221798	Terminal-Ignition Cable
			806	390545	Regulator-Alternator	856	393304	Holder Parts-Fuse
			809	390892	Rectifier-Alternator	869	211661	Seat-Intake Valve (Standard)
			809A	390892	Rectifier-Alternator	870	211661	Seat-Exhaust Valve (Standard)
			809B	390546	Rectifier-Alternator	871	230655	Guide-Exhaust Valve
				Note:	Used on type Nos. 0115, 0123, 0124, 0125.	877	393456	Diode and Connector Assy. (Dual Circuit)
					390408 Rectifier-Alternator	877A	393814	Diode and Connector Assy. (D. C.)
					Uses:	878	393362	Alternator Harness Assy. (Dual Circuit)
					230982 Spacer-Mtg. Used on type Nos. 0120, 0126, 0127.	878A	393422	Alternator Harness Assy.
727	390233	Cover and Shield-Starter	813	390611	Clamp-Diode	887	391529	Stator Assembly-Alternator (D. C.)
	Note:	221940 Guard-Ring Gear		Note:	93660 Clamp-Diode Used on type No. 0125.			
728	93523	Screw-Sem 1/16"L.						
729	221907	Clip-Wire						
732	93490	Screw-Sem						