

**191700 to 191799**

# Illustrated Parts List

## Model Series 191700 to 191799

TYPE NUMBERS  
1016 through 1026  
1111 through 1166  
and 2525  
5515 through 5527  
5624 through 5679

### TO FIND

**THE CORRECT NUMBER OF THE PART YOU NEED:**

**FOLLOW THE INSTRUCTIONS BELOW**

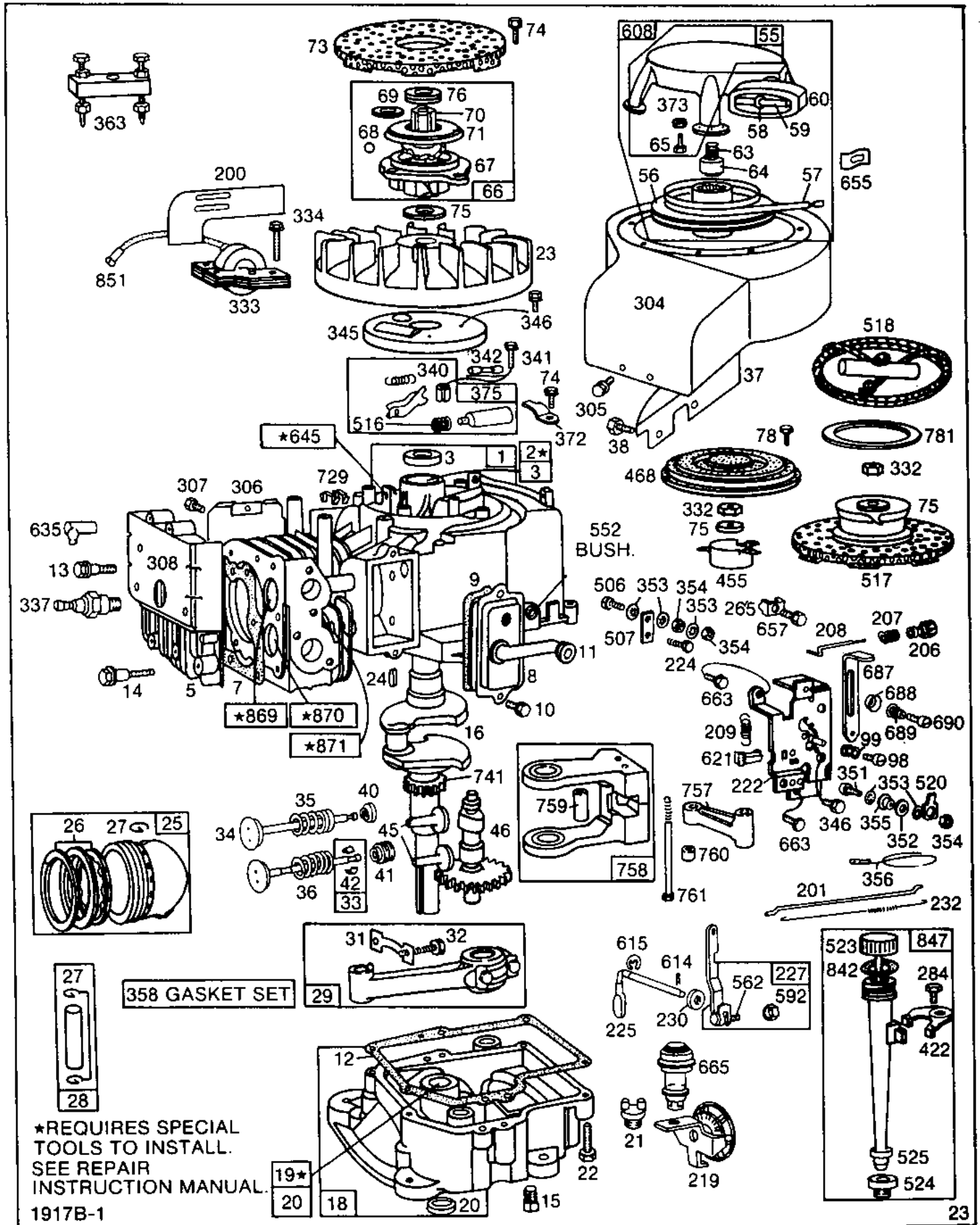
- A. Refer to Engine Model, Type and Code Number that is stamped on the blower housing of engine. Engine type numbers such as 012301 are listed herein only as 0123. The two digits (01 or 02, etc.) to the right of the space are not needed for parts identification. Then use the Illustrated Parts List covering the Model Series.
- B. Refer to Illustrated Parts section and compare the old part with illustration. The number on the illustration is the Reference Number. Assemblies include all parts shown in frames. All parts shown in assembly frames on which individual reference numbers are given can be purchased separately.
- C. After the Reference Number has been identified, refer to the Numerical Parts List, where Reference and Master Part Number are listed. **THE MASTER PART IS USED ON ALL TYPE NUMBERS EXCEPT THOSE TYPE NUMBERS UNDER "NOTE"**.
- D. If a "Note" appears below the Master Part Number, this means that this part differs from the Master Part for certain types. If the Type number is listed under "Note", order the part referred to.
- E. If the Engine Type Number does not appear after any part number listed under "Note", use the Master Part Number.
- F. For Type Numbers higher than those covered by this book, please refer to the factory if you are unable to identify the part by comparison.

PRINTED IN U.S.A.



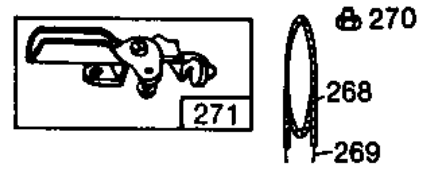
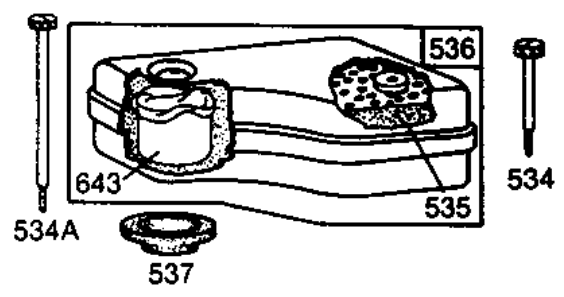
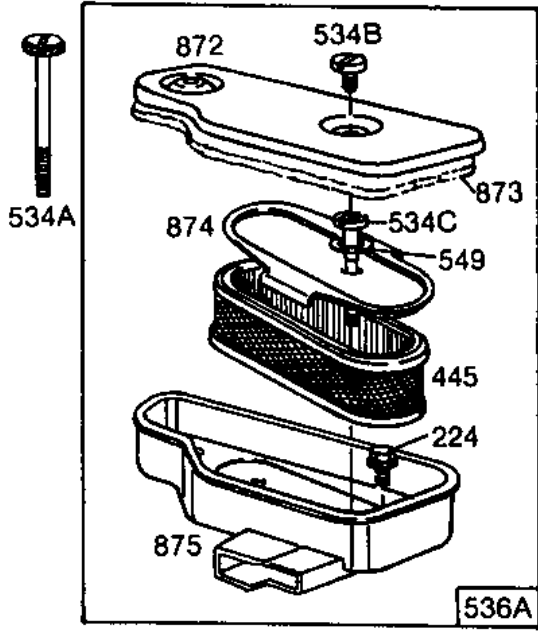
COPYRIGHT ©

# 191700 to 191799

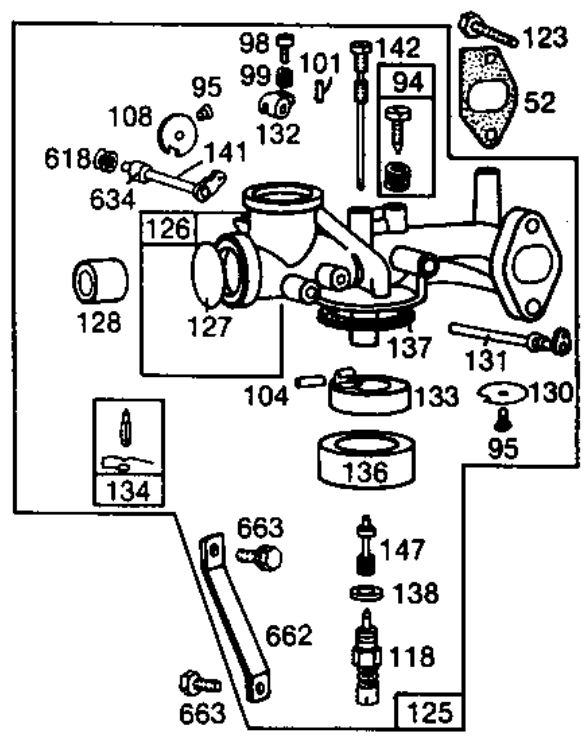
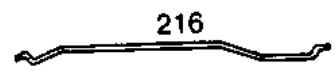
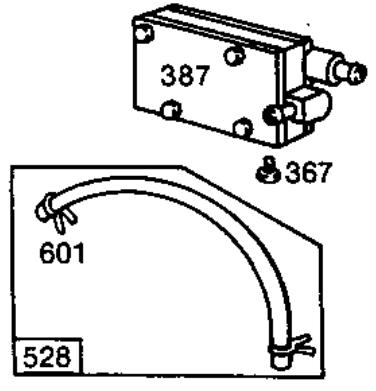


\*REQUIRES SPECIAL  
 TOOLS TO INSTALL.  
 SEE REPAIR  
 INSTRUCTION MANUAL.  
 1917B-1

Assemblies include all parts shown in frames.

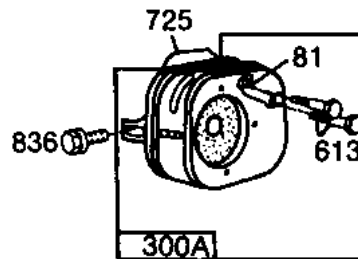
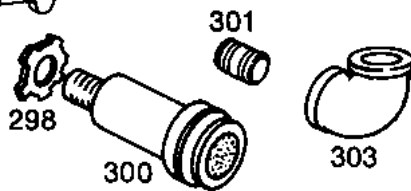
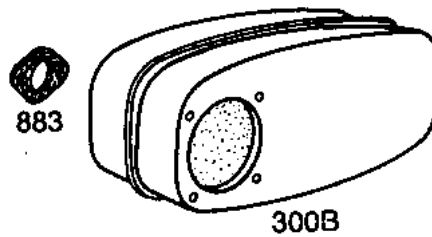
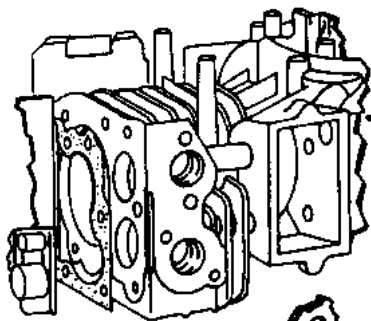
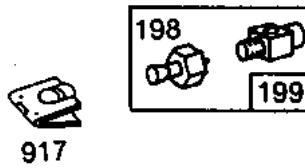
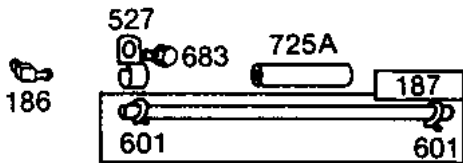
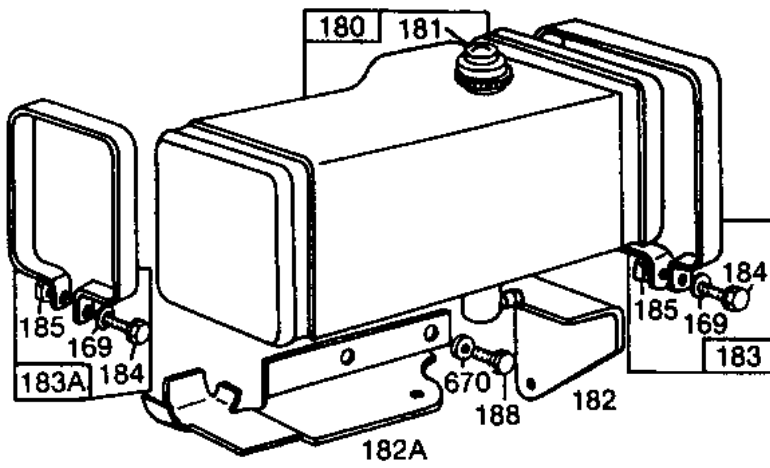


861 PUMP REPAIR KIT

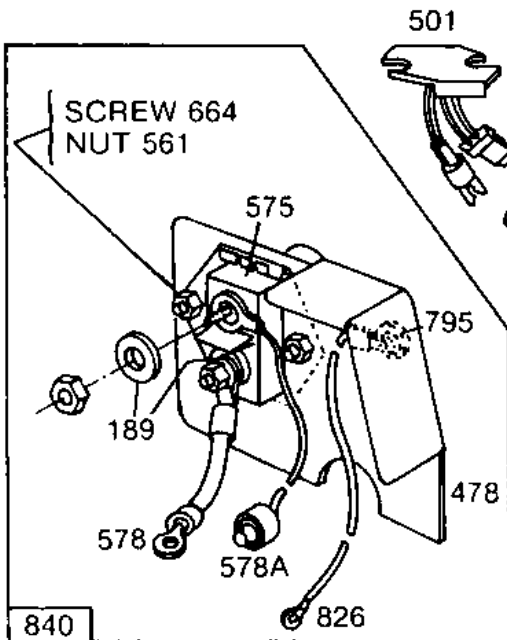
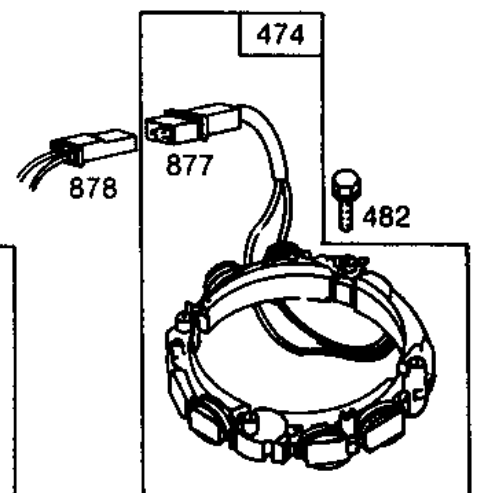
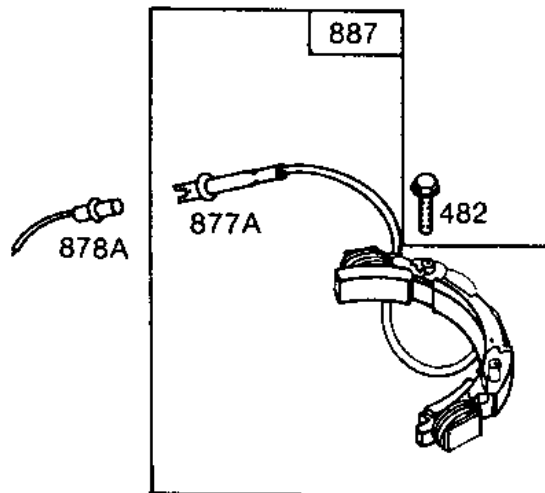
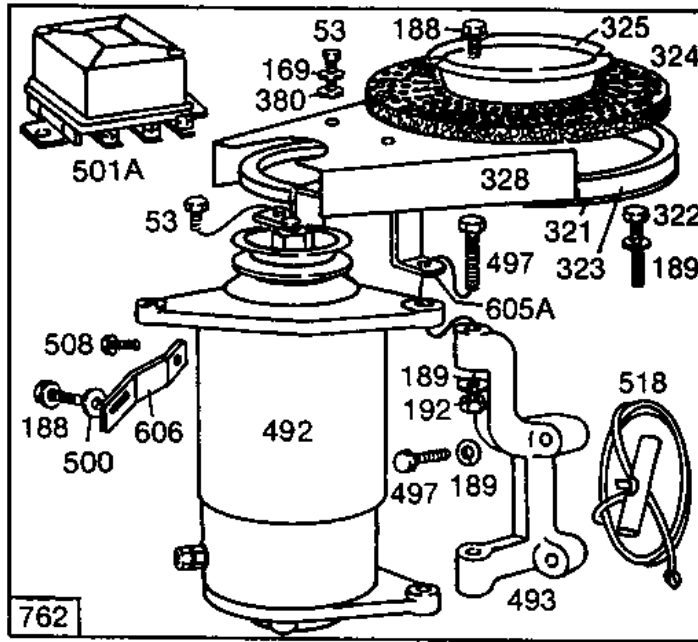
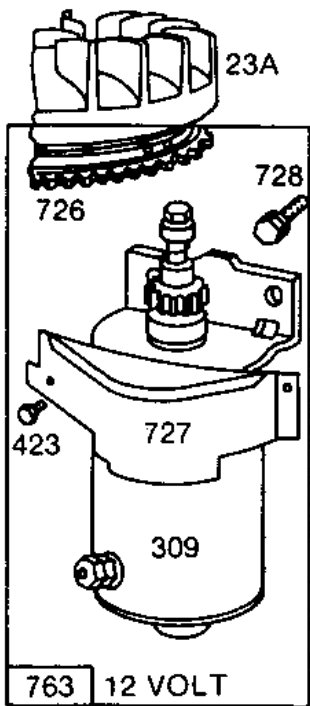


121 CARBURETOR OVERHAUL KIT

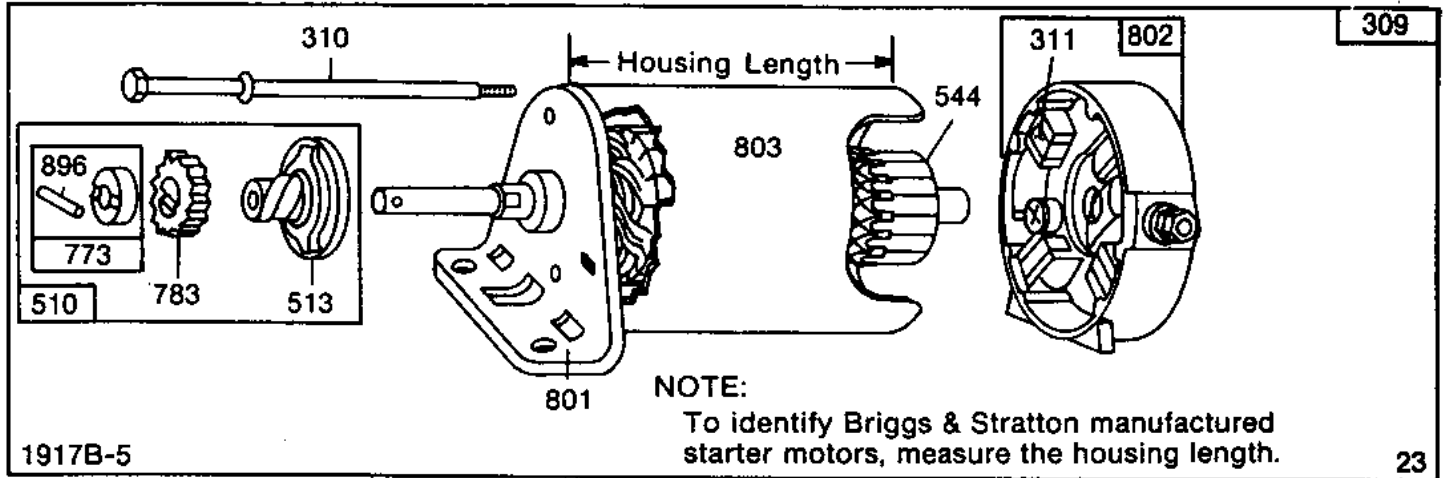
# 191700 to 191799



Assemblies include all parts shown in frames.



# 191700 to 191799



1917B-5

23

Assemblies include all parts shown in frames.

Subject		Ref. No. 309	Ref. No. 510	Ref. No. 801	Ref. No. 544	Ref. No. 803	Ref. No. 802	Ref. No. 311	Ref. No. 310
Starter Motor Mfr. and Motor Model Number		Motor and Drive Assy.	Drive Assembly	End Cap Assy. Drive	Armature Assembly	Housing Assembly	End Cap Assy. Commutator*	Brush Assembly	Thru Bolt Assembly
Briggs & Stratton	Housing Length								
†12V	3-1/16"	392749	391461**	392061	392747	392744	390846	391705	391706
12V	3-21/32"	394805	391461**	394856	392747	393825	395537	395538	84003
120V	3-1/2"	393851	391461**	393228	393607	393433	393833	393612	93934

\*Includes Brush Set

\*\*Includes #391135 Clutch Assembly (Ref. No. 513)  
 #280104 Gear (Ref. No. 783)  
 #391462 Retainer and Pin (Ref. No. 773)  
 # 93754 Roll Pin (Ref. No. 896)

**NOTE: Style Identification of 12 Volt Motors.** New Style: Thru Bolt Heads are Located on the Brush End Head Side.  
 †Old Style: Brush End Head is 13/16" Wide.

REF. NO.	PART NO.	DESCRIPTION	REF. NO.	PART NO.	DESCRIPTION	REF. NO.	PART NO.	DESCRIPTION
1	393675	Cylinder Assembly (Used after Code No. 78092710) <b>Note:</b> 392005 Cylinder Assy. (Used before Code No. 78092810)	13	93211	Screw—Cylinder Head (2-21/32" long) <b>Note:</b> 93776 Stud—Cylinder Head 22963 Washer Used on Type Nos. 5633, 5640, 5641, 5656, 5661, 5669, 5675, 5676.			<b>Note:</b> 392034 Flywheel and Ring Gear Assy.—Magneto For use only on electric starter engines <b>WITHOUT ALTERNATOR</b> (Includes aluminum ring gear.) For use only with starter motors with Plastic Drive Gear.
2	391726	Bushing—Cylinder <b>Note:</b> Requires special tools for installation.	14	93723	Screw—Cylinder Head (3" long) 1 Req'd. <b>Note:</b> 93781 Stud—Cylinder Head 22963 Washer Used on Type No. 1140.	24	61760	Key—Flywheel
3	294606	Seal—Oil	15	91084	Plug—Oil Drain <b>Note:</b> 93448 Plug—Oil Drain (Hex. Socket) Used on Type Nos. 1130, 1139.	25	391673	Piston Assy.—Std.
5	212286	Head—Cylinder	16	390370	Crankshaft <b>Note:</b> 390549 Crankshaft Used on Type No. 1150. 391763 Crankshaft Used on Type Nos. 1144, 1145, 1154, 1164, 5517, 5527, 5627, 5630, 5631, 5635, 5644, 5645, 5647, 5653, 5654, 5655, 5664, 5674.	391674	391674	Piston Assembly—.010" O.S.
7	*270430	Gasket—Cylinder Head	18	392548	Sump—Oil <b>Note:</b> 390479 Sump—Oil Used on Type Nos. 1130, 1139.	391675	391675	Piston Assembly—.020" O.S.
8	299848	Breather Assembly <b>Note:</b> 391406 Breather Assembly Used on Type Nos. 2525, 5515, 5516, 5517, 5525, 5526, 5527, 5624, 5625, 5626, 5627, 5628, 5629, 5630, 5631, 5632, 5633, 5634, 5635, 5636, 5637, 5638, 5639, 5640, 5641, 5642, 5643, 5644, 5645, 5646, 5647, 5648, 5649, 5652, 5653, 5654, 5655, 5656, 5657, 5658, 5659, 5660, 5661, 5662, 5664, 5665, 5666, 5667, 5668, 5669, 5670, 5671, 5672, 5673, 5674, 5676, 5677, 5678, 5679. 392849 Breather Assy. Used on Type Nos. 5650, 5651. 394217 Breather Assy. Used on Type No. 5675.	19	295963	Bushing—Oil Sump <b>Note:</b> Requires special tools for installation.	391676	391676	Piston Assembly—.030" O.S.
9	*27803	Gasket—Valve Cover	20	391086	Seal—Oil	<b>PISTON RING SETS:</b> <b>Note:</b> For Chrome Piston Ring Set—Standard Size—Order No. 299743.		
10	93394	Screw—Screw	21	66768	Plug—Oil Filler	26	391669	Ring Set—Piston—Std.
11	280005	Tube—Breather	22	93585	Screw—Sump Mounting Screw	391670	391670	Ring Set—Piston—.010" O.S.
12	*27750	Gasket—Crankcase Cover—1/64" thick	23	298260	Flywheel—Magneto	391671	391671	Ring Set—Piston—.020" O.S.
	*27876	Gasket—Crankcase Cover—.005" thick	23A	391983	Flywheel and Ring Gear Assy.—Magneto For use on engines <b>WITH ALTERNATOR.</b> (Includes aluminum ring gear.) For use only with starter motors with Plastic Drive Gear.	391672	391672	Ring Set—Piston—.030" O.S.
	*27877	Gasket—Crankcase Cover—.009" thick				27	68546	Lock—Piston Pin
						28	295840	Pin Assembly—Piston—Standard
							295841	Pin Assembly—Piston—.005" O.S.
						29	390402	Rod Assy.—Connecting <b>Note:</b> For Connecting Rod with .020" Undersize Crankpin Bore—Order No. 390773.
						31	222114	Lock—Conn. Rod Screw
						32	92659	Screw—Conn. Rod
						33	390419	Valve—Exhaust <b>Note:</b> 390420 Valve—Exhaust Used on Type Nos. 2525, 5624, 5643, 5656, 5658, 5659, 5669, 5670, 5673.
						34	261055	Valve—Intake
						35	65906	Spring—Intake Valve

\*Included in Gasket Set—  
Part No. 299577.

# 191700 to 191799

REF. NO.	PART NO.	DESCRIPTION	REF. NO.	PART NO.	DESCRIPTION	REF. NO.	PART NO.	DESCRIPTION		
36	26828	Spring—Exhaust Valve				101	93043	Pin—Throttle Stop		
37	222475	Guard—Flywheel				104	†230896	Pin—Float Hinge		
3P	93777	Screw—Sem				108	222010	Valve—Choke		
40	221596	Retainer—Intake Valve				118	†391233	Valve—Needle		
41	292260	Rotocoil—Exhaust Valve				121	394698	Carburetor Overhaul Kit		
	<b>Note:</b>	68293 Retainer—Valve Spring Used on Type No. 5669.						(Used after Code No. 81032700)		
42	93630	Retainer—Exhaust Valve Rotocoil (2)	59	230228	Pin—Starter Grip			<b>Note:</b> 299852 Carburetor Overhaul Kit		
45	260933	Tappet—Valve	60	66728	Grip—Starter Rope			(Used before Code No. 81030000)		
46	211689	Gear—Cam	63	260414	Spring—Ratchet	123	93357	Screw—Carburetor Mtg.		
52	†270538	Gasket—Carburetor Mounting	64	230543	Adapter—Ratchet Spring	125	390811	Carburetor Assembly (Choke-A-Matic)		
	<b>Note:</b>	270824 Gasket—Carburetor Mounting Used on Type Nos. 2525, 5515, 5516, 5517, 5525, 5526, 5527, 5624, 5625, 5626, 5627, 5628, 5629, 5630, 5631, 5632, 5633, 5634, 5635, 5636, 5637, 5638, 5639, 5640, 5641, 5642, 5643, 5644, 5645, 5646, 5647, 5648, 5649, 5650, 5651, 5652, 5653, 5654, 5655, 5656, 5657, 5658, 5659, 5660, 5661, 5662, 5664, 5665, 5666, 5667, 5668, 5669, 5670, 5671, 5672, 5673, 5674, 5675, 5676, 5677, 5678, 5679.	65	93067	Screw—Stamped Steel Rewind Starter Housing Mtg. Sem			<b>Note:</b> 390411 Carburetor Assembly (Manual Choke) Used on Type Nos. 1016, 1111, 1114, 1115, 1126, 1131, 1136, 1140, 1141, 1149, 1150, 1158, 1163, 5516, 5624, 5628, 5629, 5536, 5643, 5649, 5658, 5659.		
			66	298798	Clutch Assembly—Rewind Starter			392152 Carburetor Assembly (Choke-A-Matic) Used on Type No. 5652.		
			66A	393117	Clutch Assy.—Rewind Starter For engines with Ring Gear on Flywheel equipped for or with Electric Motor.			394042 Carburetor Assembly (Choke-A-Matic) (Flo-Jet) Used on Type Nos. 5650, 5651, 5675.		
			67	212132	Housing—Rewind Starter Clutch			126	299851	Body Assembly Carburetor
			67A	261453	Housing—5/8-18 Thread For engines with Ring Gear on Flywheel equipped for or with Electric Motor.				<b>Note:</b> 394041 Body Assy.—Carburetor Used on Type Nos. 5650, 5651, 5675.	
			68	63770	Ball—Clutch			127	†221997	Plug—Welch
			69	86718	Washer—Starter Clutch, Thrust			128	211682	Venturi—Carburetor
			70	298799	Ratchet—Rewind Starter Clutch			130	221986	Valve—Throttle
			71	221653	Washer—Retainer			131	391512	Shaft and Lever—Throttle
			73	221796	Screen—Rewind Starter			132	211712	Stop—Throttle
			74	93042	Screw—Sem			133	299707	Float—Carburetor
			75	220865	Washer—Spring					
			76	68238	Washer—Ratchet Sealing					
			78	93805	Screw—Sem					
			81	222263	Lock—Screw					
			81A	222265	Lock—Screw					
			94	†292681	Valve Assembly—Carburetor Idle					
			95	93499	Screw—Throttle and Choke Valve Mtg. Sem					
			98	91920	Screw—Machine, Fill. Hd. 8-32 x 5/8"					
			99	26157	Spring—Throttle Adjustment					
53	93357	Screw—Sem								
55	393576	Housing—Rewind Starter								
56	295871	Pulley—Rewind Starter								
	<b>Note:</b>	Includes 63" Rope; if longer Rope is required, Order Rope No. 66894 and cut to required length.								
57	294303	Spring—Rewind Starter								
58	66884	Rope—Rewind Starter—63" long for use with Plastic Pulley; if longer Rope is needed, Order No. 66894 and cut to required length.								

†Included in Carburetor Overhaul Kit—Part No. 394698.



REF. NO.	PART NO.	DESCRIPTION	REF. NO.	PART NO.	DESCRIPTION	REF. NO.	PART NO.	DESCRIPTION
134	†394681	Valve—Fuel Inlet	189	90366	Washer—Lock—	268	65616	Casing—Control Wire—
	Note:	Order No. 394683			5/16 x 1/8 x 1/16"			72" long
		for Fuel Pump	192	91397	Nut—Hex. 5/16-18		Note:	If longer casing is
		Applications.	198	293934	Valve—Fuel Shut-Off			required, specify
136	221995	Bowl—Float	199	390303	Connector—Fuel Pipe			length in inches; if
137	†270511	Gasket—Float Bowl	200	221760	Guide—Air			shorter casing is
138	†222014	Washer—Float Bowl	201	260971	Link—Governor			needed, Order No.
141	390684	Shaft and Lever—Choke	206	230149	Nut—Gov. Control Rod			65616 and cut to
	Note:	299647 Shaft and	207	26855	Spring—Gov. Control			required length.
		Lever—Choke			Rod	269	26633	Wire—Control—
	Uses:		208	230841	Rod—Governor Control			78" long
		23270 Screw—Choke	209	261306	Spring—Governor		Note:	If longer wire is re-
		Lever			Note: 261129 Spring—Gov.			quired, specify length
		26229 Spring—Choke			Used on Type Nos.			in inches; if shorter
		Lever			1134, 5635.			wire is needed, Order
		220899 Washer—			261130 Spring—Gov.			No. 26633 and cut to
		Choke Lever			(For 2000 to 2600			required length.
		Used on Type Nos.			R.P.M.)	270	63426	Locknut—Control Wire
		1016, 1111, 1114,			Used on Type Nos.			Casing
		1115, 1126, 1131,			5628, 5666.	271	290568	Lever Assy.—Control
		1136, 1140, 1141,			260871 Spring—Gov.	284	93804	Screw—Clamp Mtg.
		1149, 1150, 1158,			Used on Type Nos.	298	261409	Locknut—Muffler
		1163, 5516, 5624,			1126, 1136, 1160,	300	393010	Muffler—Exhaust
		5628, 5629, 5636,			5636, 5649, 5650,			(Round Lo-Tone)
		5643, 5649, 5658,			5651, 5658, 5668,	300A	391313	Muffler—Exhaust
		5659.			5678.		Note:	390755 Muffler—
142	†299740	Nozzle—Carburetor	216	261117	Link—Choke			Exhaust
147	†230932	Screw—Nozzle	219	392718	Oil Slinger, Gov.			Used on Type Nos.
169	90832	Washer—Lock—			Gear and Bracket			1139, 5665, 5666.
		1/4 x 3/32 x 5/64"			Assembly	300B	392101	Muffler—Exhaust
180	390225	Tank Assembly—Fuel			Plate—Gov. Control			(Super Lo-Tone)
		(3 Quart)			Note: 390661 Plate—Gov.	301	91245	Nipple—Exhaust
181	392300	Cap—Fuel Tank			Control	303	91205	Elbow—Muffler—90°
182	222813	Bracket—Fuel Tank			Used on Type Nos.		Note:	91484 Elbow—Muffler,
		(R.H.)			1016, 1111, 1114,			90°, Street
182A	222112	Bracket—Fuel Tank			1115, 1126, 1131,			Used on Type Nos.
		(L.H.)			1136, 1140, 1141,			1125, 1152, 1153,
183	390406	Strap Assy.—Fuel			1149, 1150, 1158,			1166, 5650, 5651.
		Tank (R.H.)			1163, 5516, 5624,			
183A	390405	Strap Assy.—Fuel			5628, 5629, 5536,	304	299853	Housing—Blower
		Tank (L.H.)			5643, 5649, 5658,		Note:	299392 Housing—
184	93803	Screw—Hex. Hd.			5659, 5667, 5671,			Blower
185	90970	Nut—Square, 1/4-20			5672.			Used on engines with
186	67218	Connector—Fuel Pipe	224	94018	Screw—Sem			Electric Starters (Ref.
187	296004	Line—Fuel	225	231058	Crank—Governor			No. 309) except see
		(23" long)			(1/4" Dia.)			other numbers in this
187A	390674	Line—Fuel	227	391733	Lever Assy.—Governor			group for Type Nos.
		(9" long)			For 1/4" Dia. Crank			1025, 1026, 1129,
188	93535	Screw—Sem	229	220680	Washer—Flat			1135, 1148, 1153,
	Note:	93623 Screw	230	222450	Washer—Gov. Lever			1154, 1155, 1157,
		90366 Washer—Lock			(1/4" I.D.)			1160, 1162, 1164,
		Used to mount Screen	232	260584	Spring—Governor Link			1166.
		to Pulley on Type No.	265	221535	Clamp—Casing			299861 Housing—
		1140.						Blower
								Used on Type No.
								1140.

†Included in Carburetor Overhaul Kit—Part No. 394698.

# 191700 to 191799

REF. NO.	PART NO.	DESCRIPTION	REF. NO.	PART NO.	DESCRIPTION	REF. NO.	PART NO.	DESCRIPTION
		<b>391379</b> Housing—Blower Used on Type Nos. 2525, 5627, 5631, 5635, 5639, 5641, 5645, 5646, 5647, 5654, 5655, 5656, 5657, 5661, 5662, 5664, 5666, 5668, 5669, 5673, 5674, 5676, 5677, 5678, 5679.	<b>324</b>	<b>221067</b>	Screen—Rotating	<b>375</b>	<b>294628</b>	Breaker Points and Condenser Sets
		<b>391395</b> Housing—Blower Used on Type Nos. 5515, 5516, 5517, 5624, 5629, 5630, 5643, 5644, 5648, 5649, 5652, 5653, 5658, 5659, 5660, 5665, 5667, 5670, 5671, 5672.	<b>325</b>	<b>299307</b>	Pulley—Rope Starter (with Screen)			<b>Note:</b> <b>299061</b> Ignition Kit Includes: <b>294628</b> Point Set <b>65704</b> Plunger <b>61760</b> Key—Flywheel
		<b>392057</b> Housing—Blower Used on Type Nos. 5632, 5642.	<b>328</b>	<b>221447</b>	Guard—Belt	<b>380</b>	<b>62199</b>	Washer—Plain
		<b>393981</b> Housing—Blower Used on Type Nos. 5651, 5675.	<b>332</b>	<b>92284</b>	Nut—Flywheel	<b>387</b>	<b>390818</b>	Pump—Impulse <b>Note:</b> Order No. <b>394462</b> for Pump Repair Kit
		<b>394003</b> Housing—Blower Used on Type No. 5650.	<b>333</b>	<b>298968</b>	Armature Assembly	<b>422</b>	<b>222502</b>	Clamp—Oil Filler Tube
<b>305</b>	<b>93158</b>	Screw—Blower Housing Mounting Sem <b>Note:</b> <b>93294</b> Screw—Sem Used to mount Blower Housing to Cylinder Head on Type No. 1140.	<b>334</b>	<b>93381</b>	Screw—Armature Mounting Sem	<b>423</b>	<b>93984</b>	Screw—Sem <b>Note:</b> <b>93410</b> Screw—Sem Used with Metal Starter Cover
<b>306</b>	<b>222830</b>	Shield—Cylinder	<b>337</b>	<b>298809</b>	Plug—Spark (1-1/2" high—37-42 M.M.) <b>Note:</b> <b>29693</b> Plug—Spark (2" high—51 M.M.) <b>293918</b> Plug—Spark (1-1/2" high—37 M.M.) (Resistor Type)	<b>445</b>	<b>393406</b>	Cartridge—Air Cleaner
<b>307</b>	<b>93163</b>	Screw—Cylinder Shield Mtg. Sem	<b>340</b>	<b>26018</b>	Spring—Breaker Arm	<b>455</b>	<b>222561</b>	Cup—Screen Mounting
<b>308</b>	<b>222636</b>	Cover—Cylinder Head	<b>341</b>	<b>93381</b>	Screw—Breaker Arm Mounting Sem	<b>468</b>	<b>222562</b>	Screen—Flush Rotating <b>Note:</b> <b>222302</b> Screen—(Stationary) <b>Uses:</b> <b>93572</b> Screw (8) <b>231020</b> Spacer (4) <b>93917</b> Lockwasher (4) Used on Type Nos. 5635, 5639.
<b>309</b>		Motor—Starting (12 Volt) <b>See Chart for Replacement Parts for Starting Motors on Page 6.</b>	<b>342</b>	<b>65704</b>	Plunger—Breaker Point	<b>474</b>	<b>393474</b>	Stator—Alternator <b>Note:</b> <b>393295</b> Stator—Alternator (10 Amp.) (Uses Ref. 878A)
<b>321</b>	<b>210899</b>	Pulley—Starter Drive	<b>345</b>	<b>222117</b>	Cover—Breaker Point	<b>474A</b>	<b>392595</b>	Stator—Alternator (Tri-Circuit)
<b>322</b>	<b>90931</b>	Screw—Cap, Hex. Hd.—1/20 x 2-1/4"	<b>346</b>	<b>93705</b>	Screw—Sem	<b>474B</b>	<b>393809</b>	Stator—Alternator (Diode Type) Used on Type Nos. 1125, 1127, 1132, 1143, 5627, 5634, 5635, 5638, 5639, 5640.
<b>323</b>	<b>68588</b>	Belt—Vee	<b>351</b>	<b>93735</b>	Screw—Terminal (Truss Hd.) <b>Note:</b> <b>91920</b> Screw—Terminal (Fillister Hd.)	<b>478</b>	<b>395410</b>	Panel—Instrument Use <b>222751</b> Starter Panel on Engines before Code No. 81102100.
			<b>352</b>	<b>66068</b>	Washer—Insulating	<b>482</b>	<b>93621</b>	Screw—Sem
			<b>353</b>	<b>92791</b>	Washer—Lock—Shakeproof (3)	<b>485</b>	<b>390888</b>	Knob Assy.—Fuse
			<b>354</b>	<b>90576</b>	Nut—Hex.—8-32 (2)	<b>486</b>	<b>391507</b>	Diode—Alternator
			<b>355</b>	<b>66554</b>	Collar—Insulating	<b>488</b>	<b>222211</b>	Bracket—Output
			<b>356</b>	<b>299500</b>	Wire—Ground <b>Note:</b> <b>391255</b> Wire—Jumper Used in addition to No. <b>299500</b> Ground Wire on Type Nos. 1016, 1025, 1026, 1125, 1128, 1141, 1146, 1149, 1150, 1152, 1153, 1155, 1156, 1157, 1159, 1163, 1165, 1166, 2525, 5515, 5516, 5517, 5525, 5526, 5527, 5629, 5633, 5662, 5665, 5666, 5670, 5673.	<b>492</b>	<b>390555</b>	Starter—Generator (12 volt) (Delco-Remy No. 1101695 and Pulley Delco-Remy No. 1949358)
			<b>358</b>	<b>299577</b>	Gasket Set			
			<b>363</b>	<b>19165</b>	Puller—Flywheel			
			<b>367</b>	<b>93380</b>	Screw—Sem			
			<b>372</b>	<b>220477</b>	Clamp—Condenser			
			<b>373</b>	<b>92987</b>	Nut—Hex. (4)			

REF. NO.	PART NO.	DESCRIPTION	REF. NO.	PART NO.	DESCRIPTION	REF. NO.	PART NO.	DESCRIPTION
493	211594	Bracket—Lower Starter			5664, 5665, 5666,			392195 Deflector—
497	91203	Screw—Cap, Hex. Hd.—5/16-18 x 1-3/4"			5667, 5668, 5671, 5674, 5676, 5677, 5678, 5679.			Exhaust (Direct Outlet) Used on Type No. 1146.
500	91325	Washer—Plain						
501	393374	Regulator—Alternator (10 Amp.)	536A	393481	Cleaner Assy.—Air			393758 Deflector—
501A	295924	Regulator—Voltage (Delco-Remy No. 1118988)	537	270539	Gasket—Air Cleaner			Exhaust (Louvered) Used on Type Nos. 1127, 1134, 1140, 5625, 5626, 5630, 5631, 5634, 5635, 5645, 5646, 5652, 5677, 5678.
506	90200	Screw—Terminal	549	270978	Washer—Air Cleaner			393759 Deflector—
507	66895	Insulator—Terminal	552	231055	Bushing—Gov. Crank (1/4" I.D.)			Exhaust (Direct Out) Used on Type Nos. 1132, 1133, 1150, 1157, 1163.
508	93294	Screw—Sem (Control Plate Strap and Blower Housing Mounting)	561	92278	Nut—Hex. (1/4-20)			
516	260374	Spring—Connector	562	92613	Bolt—Governor Lever			
517	295423	Pulley—Rope Starter (with Screen)	575	299139	Switch—Starting			
518	69932	Rope—Starter	578	392683	Wire—Starter Switch			
520	93722	Terminal—Spade	578A	393109	Wire—Switch (Starter Switch to Alternator)			
523	391840	Cap and Dipstick— Oil Filler	592	231082	Nut—Hex., 10-24			
524	68838	Seal—Filler Tube	601	93053	Clamp—Fuel Pipe			
525	280133	Tube—Oil Filler	605	222934	Bracket—Regulator	683	93572	Screw
526	93343	Screw—Regulator	605A	298758	Bracket—Guard	687	390690	Slide—Friction Control
527	221428	Clamp (2)	606	221790	Strap—Adjusting	688	221766	Cap—Friction Spring
528	394045	Line—Vent (10-1/4" long)	608	390391	Starter Assy.—Rewind	689	260847	Spring—Friction
534	93622	Screw—Air Cleaner	613	93704	Screw—Muffler	690	92484	Screw—Machine, Fil. Hd.—10-32 x 1/2"
534A	93323	Screw—Air Cleaner	613A	93549	Screw—Muffler Mtg. Note: 93642 Screw—Muffler Mounting Used on Type No. 1139.	725	221885	Shield—Heat
534B	93913	Screw—Air Cleaner	614	93306	Cotter—Hair Pin	725A	222175	Shield—Fuel Pipe, Heat
534C	93881	Screw—Air Cleaner	615	93307	Retainer—E-Ring	726	392134	Gear—Ring (Aluminum) (Includes Mtg. Parts For use only with Starter Motors with Plastic Drive Gear
535	270528	Element—Air Cleaner	618	261116	Spring—Choke Return			
536	390379	Cleaner Assy.—Air Note: 391399 Cleaner Assembly—Air Uses: 280111 Support—Air Cleaner Element (Plastic) Used on Type Nos. 5515, 5516, 5517, 5525, 5526, 5527, 5625, 5626, 5627, 5628, 5629, 5630, 5631, 5633, 5634, 5635, 5636, 5637, 5638, 5639, 5641, 5644, 5645, 5646, 5647, 5648, 5649, 5650, 5651, 5652, 5653, 5654, 5655, 5657, 5660, 5662.	621	297472	Switch—Stop	627	395405	Cover—Starter (Includes Mounting Screws) 391629 Cover and Shield— Starter (Used with Motor 392749) Note: 221940 Guard—Ring Gear Uses: 93712 Screw (2) 93713 Washer—Lock (2) Used on Type No. 5632.
			634	270382	Washer—Choke Shaft	728	93523	Screw—Sem
			635	66538	Elbow—Spark Plug	729	221907	Clip—Wire
			643	222149	Cup—Air Cleaner	735	390900	Cord—Starter (Includes Switch)
			645	23513	Bushing—Plunger	741	261195	Gear—Timing
			655	222598	Anchor—Spring			
			657	93496	Screw—Sem Note: 93543 Screw—Sem Used as Casing Clamp on Type No. 1140.			
			662	222027	Bracket—Carburetor			
			663	93572	Screw			
			664	93415	Screw—Sem			
			665	296768	Oil Minder			
			670	22963	Spacer—Fuel Tank (4)			
			676	393757	Deflector—Exhaust Note: 392193 Deflector— Exhaust (Side Outlet) Used on Type Nos. 2525, 5649, 5656, 5669.			

# 191700 to 191799

REF. NO.	PART NO.	DESCRIPTION	REF. NO.	PART NO.	DESCRIPTION	REF. NO.	PART NO.	DESCRIPTION
757	212359	Link—Counterweight (Used after Code No. 78092710)	814A	390867	Wire—Assembly— 7 Amp. Alternator	869	211661	Seat—Intake Valve (Standard)
	<b>Note:</b>	211675 Link—Counterweight (Used before Code No. 78092810)	826	392684	Wire—Panel (Starter Switch to Ground Wire Terminal)	870	211661	Seat—Exhaust Valve (Standard)
758	390172	Counterweight Assy.	836	93559	Screw—Sem	871		Guide—Exhaust Valve 231218 or 230655 <b>See Repair Manual</b>
759	298909	Pin—Counterweight	840	395408	Panel Kit—Starter (Toggle Switch) Use 392918 Starter Panel Kit on Engines before Code No. 81102100.	872	222897	Cover—Air Cleaner
760	230940	Spacer—Counterweight		<b>Note:</b>	395409 Panel Kit— Starter (Key Switch) Use 392725 Starter Panel Kit on Engines before Code No. 81102100.	873	271171	Gasket—Air Cleaner Cover
761	93874	Screw—Counterweight	841	393514	Clamp—Regulator	874	222898	Plate—Air Cleaner Cartridge
762	296147	Electric Starter— Generator Kit—12 volt (high position)	842	270920	Seal—Filter Cap	875	393424	Body—Air Cleaner
763	391604	Electric Starter Kit— 12 volt (Gear Drive)	844	261269	Spring—Diode	877	393456	Diode and Connector Assy. (Dual Circuit)
781	280068	Cap—Starter Pulley	847	392066	Filler Group—Oil	877A	393814	Diode and Connector Assy.
795	392697	Switch—Ignition (Toggle) <b>Uses:</b> 93888 Nut—Hex. <b>Note:</b> 392833 Switch— Ignition (Key)	851	221798	Terminal—Ignition Cable	877B	393537	Connector Assembly (Tri-Circuit)
814	392606	Wire Assembly— Alternator (Tri-Circuit)	856	393304	Holder—Fuse	878	393362	Alternator Harness Assy. (Dual Circuit)
			861	394462	Pump Repair Kit (Walbro)	878A	393422	Alternator Harness Assy.
						883	270918	Gasket—Exhaust Pipe
						887	391529	Stator Assembly— Alternator (D.C.)
						917	223271	Valve Handle— Fuel Shut-Off