

191700 to 191799

Illustrated Parts List

Model Series

191700 to 191799

TYPE NUMBERS

0216 through 2040
2111 through 2115
2130 through 2184
5715 through 5717
5725 through 5727
5812 through 5857

TO FIND

THE CORRECT NUMBER OF THE PART YOU NEED:

FOLLOW THE INSTRUCTIONS BELOW

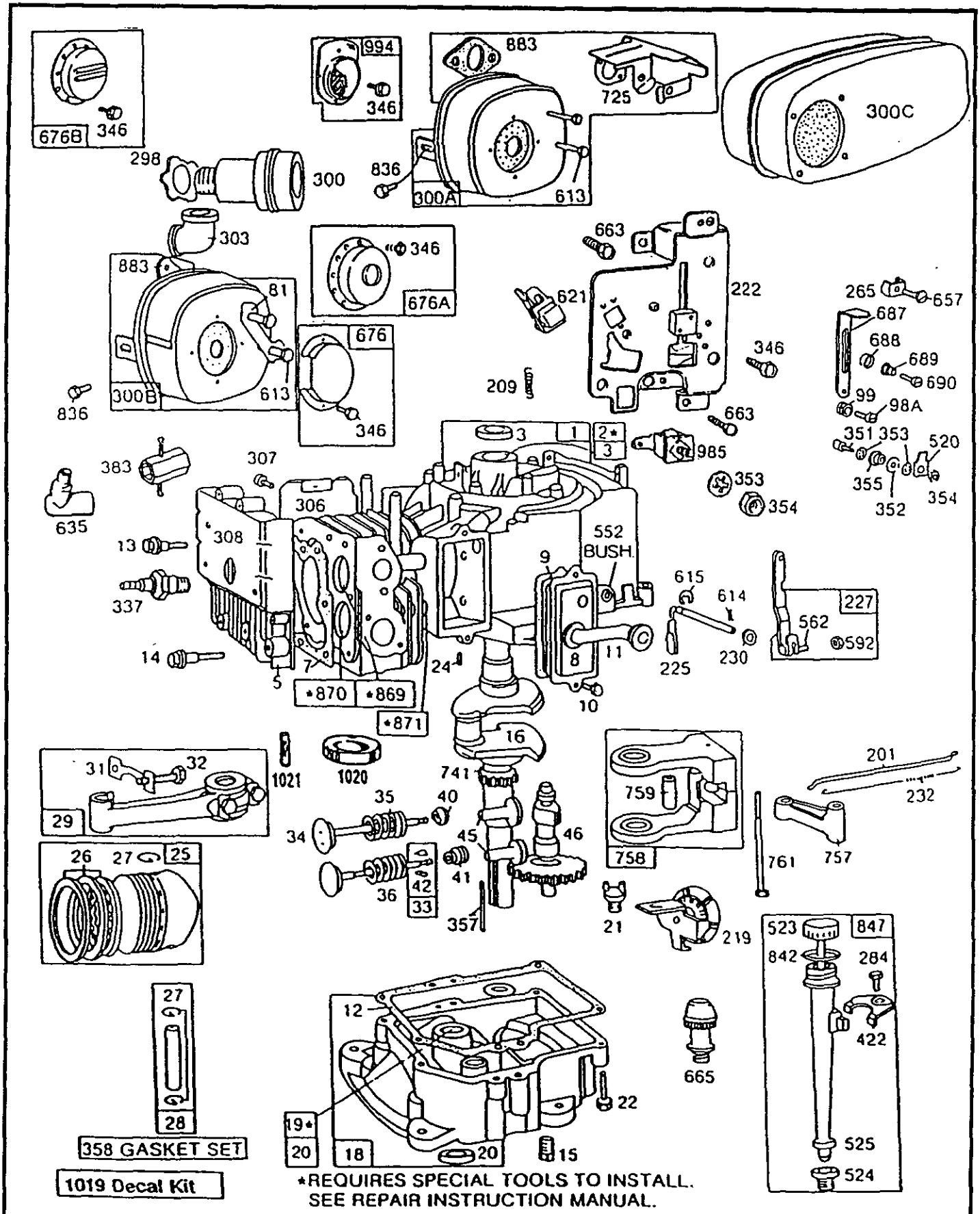
- A. Refer to Engine Model, Type and Code Number that is stamped on the blower housing of engine. Engine type numbers such as 012301 are listed herein only as 0123. The two digits (01 or 02, etc.) to the right of the space are not needed for parts identification. Then use the Illustrated Parts List covering the Model Series.
- B. Refer to Illustrated Parts section and compare the old part with illustration. The number on the illustration is the Reference Number. Assemblies include all parts shown in frames. All parts shown in assembly frames on which individual reference numbers are given can be purchased separately.
- C. After the Reference Number has been identified, refer to the Numerical Parts List, where Reference and Master Part Number are listed. **THE MASTER PART IS USED ON ALL TYPE NUMBERS EXCEPT THOSE TYPE NUMBERS UNDER "NOTE".**
- D. If a "Note" appears below the Master Part Number, this means that this part differs from the Master Part for certain types. If the Type number is listed under "Note", order the part referred to.
- E. If the Engine Type Number does not appear after any part number listed under "Note", use the Master Part Number.
- F. For Type Numbers higher than those covered by this book, please refer to the factory if you are unable to identify the part by comparison.

PRINTED IN U.S.A.

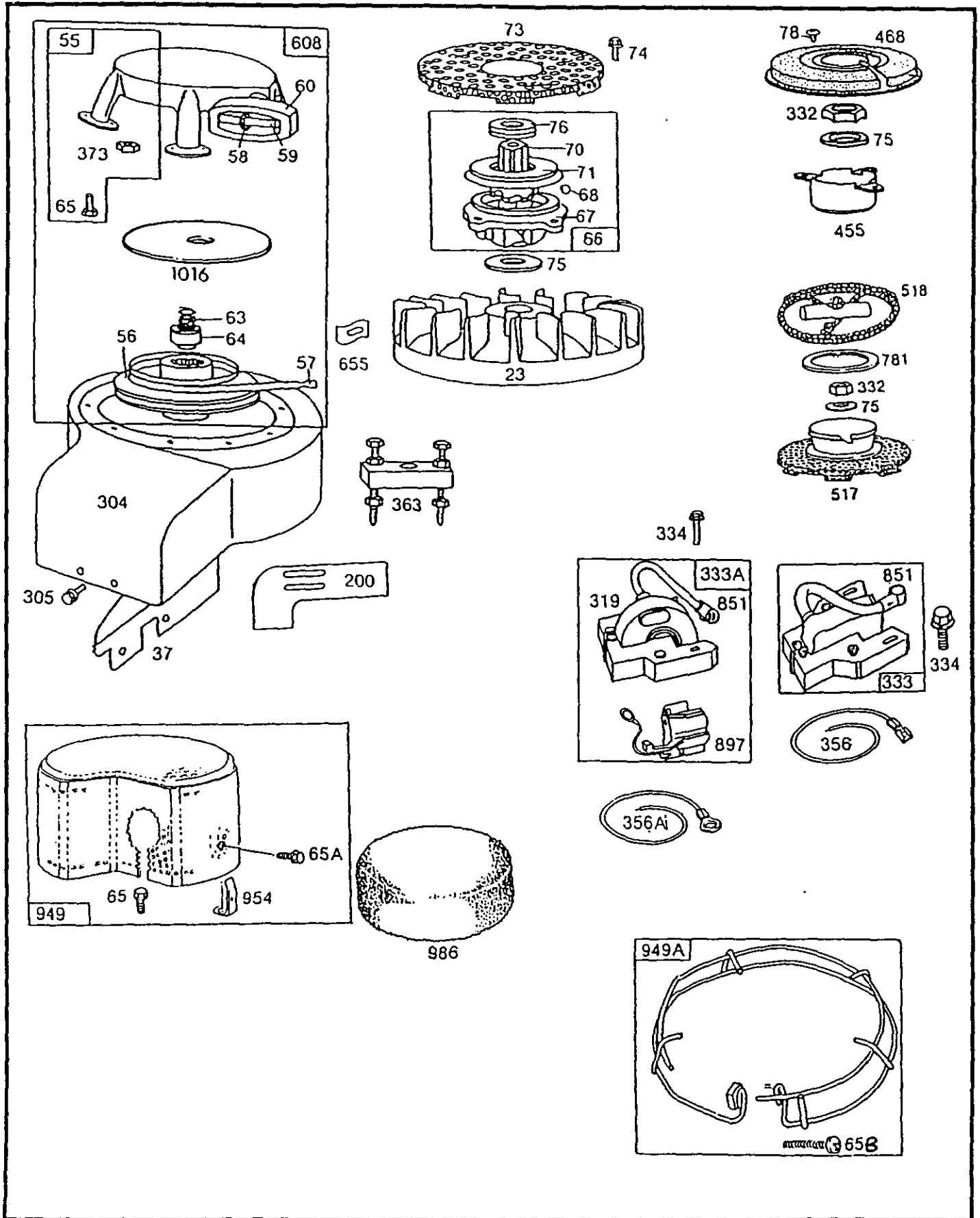
COPYRIGHT ©



191700 to 191799



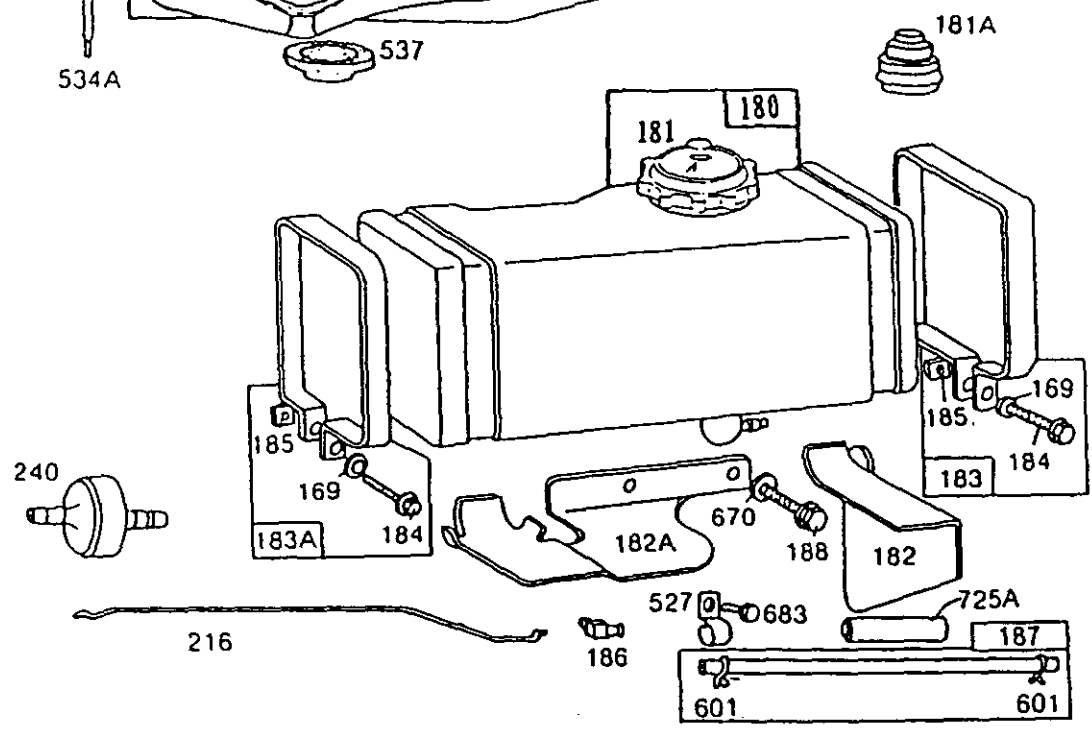
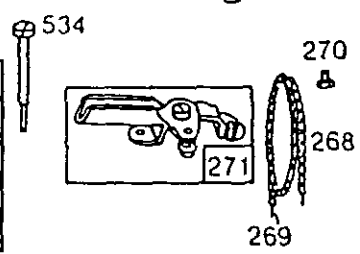
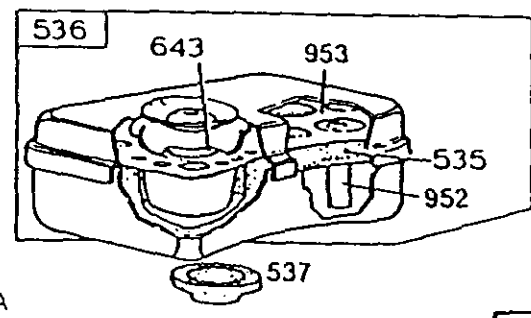
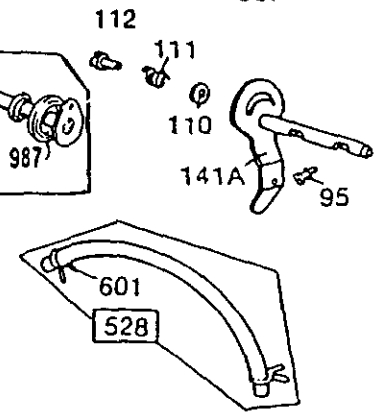
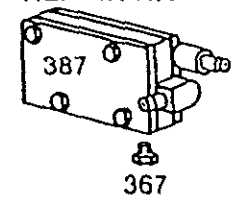
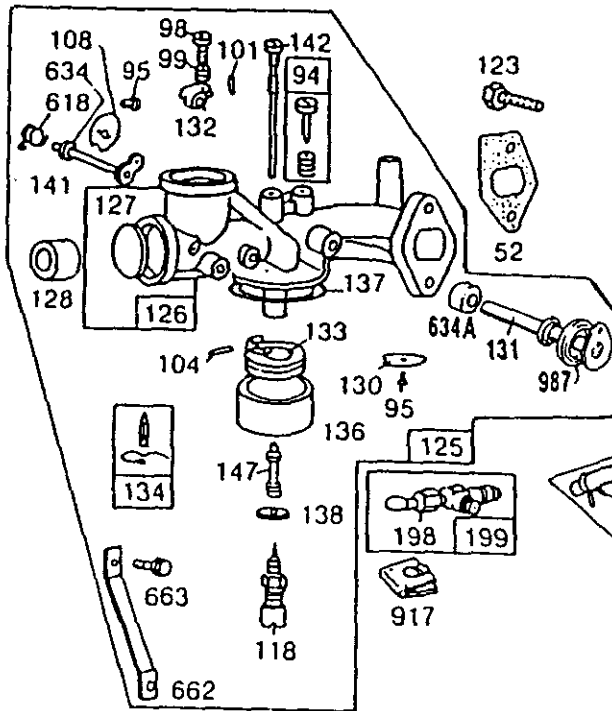
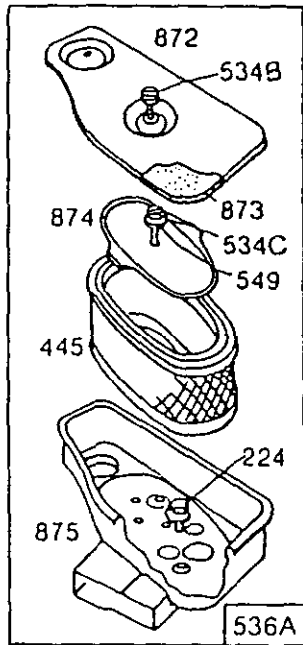
*REQUIRES SPECIAL TOOLS TO INSTALL.
SEE REPAIR INSTRUCTION MANUAL.



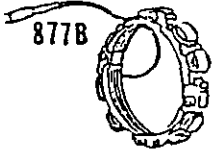








191700 to 191799

121 CARBURETOR OVERHAUL KIT

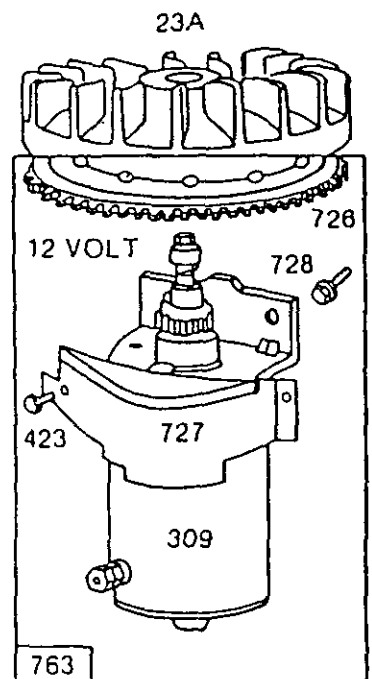
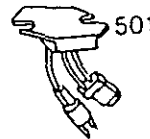
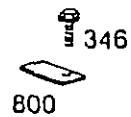
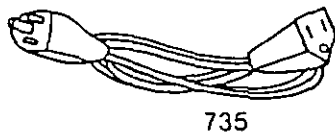
861 PUMP REPAIR KIT



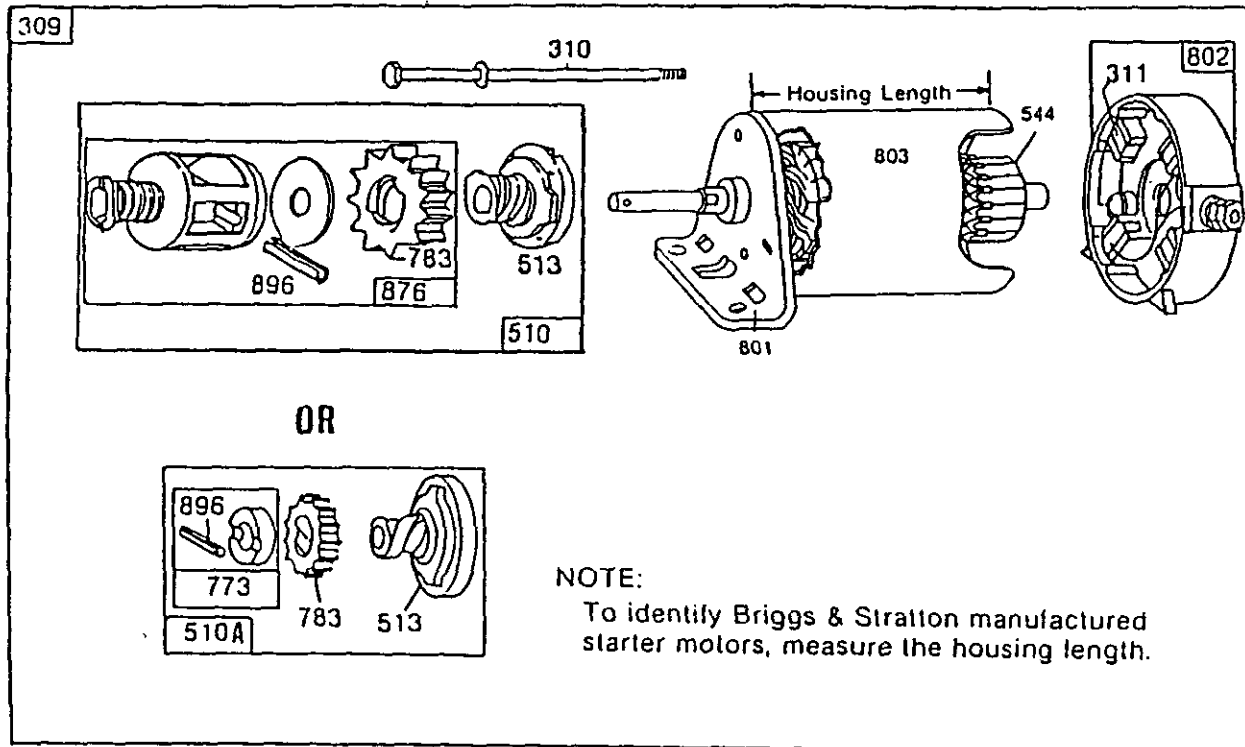
DC ONLY	DUAL CIRCUIT	TRI-CIRCUIT	10 AMP
23A or NOTE under 23	23A or NOTE under 23	23A or NOTE under 23	23A or NOTE under 23
887 	474 	474A 	474B 
878A 	878 	814 	878A 
			501 

482

NOTE: All stators use No. 482 Mtg. Screw



191700 to 191799



Reference Number		309	310	311	510	510A	544	801	802	803
Manufacturer		Motor and Control Ass'y.	Thru Bolt Assembly	Brush Assembly	Drive Assembly	Drive Assembly	Armature Assembly	Drive End Cap Assembly	End Cap Ass'y. Commutator	Housing Assembly
Briggs & Stratton	Housing Length									
12V	3-21/32"	394805	94003	395538	396865**		390837	394857	395537*	393825
120V	3-1/2"	393851	94004	393612		391461***	393607	394398	393833*	393433

*Includes Brush Set

**Includes #391135 Clutch Assembly (Ref. No. 513)
 #280104 Gear (Ref. No. 783)
 #393254 Retainer and Pin (Ref. No. 773)
 # 93754 Roll Pin (Ref. No. 896)

***Includes #391135 Clutch Assembly (Ref. No. 513)
 #280104 Gear (Ref. No. 783)
 #393254 Retainer and Pin (Ref. No. 876)
 # 93754 Roll Pin (Ref. No. 896)

191700 to 191799

REF. NO.	PART NO.	DESCRIPTION	REF. NO.	PART NO.	DESCRIPTION	REF. NO.	PART NO.	DESCRIPTION		
1	396269	Cylinder Assembly		22963	Washer		391676	Piston Assembly—		
2	261960	Bearing—Cylinder			Used on Type Nos.			.030" O.S.		
	Note:	Requires special tools for installation.			2040, 2154.					
3	294606	Seal—Oil	15	91084	Plug—Oil Drain			PISTON RING SETS:		
5	212286	Head—Cylinder		Note:	93448 Plug—Oil Drain (Hex. Socket)		Note:	For Chrome Piston Ring Set—Standard Size—Order No. 299743.		
7	* 270430	Gasket—Cylinder Head			Used on Type No. 2039.		26	391669 Ring Set—Piston—Std.		
8	299848	Breather Assembly		16	396876	Crankshaft		391670 Ring Set—Piston—		
	Note:	391406 Breather Assy. Used on Type Nos. 5715, 5716, 5717, 5725, 5726, 5727, 5812, 5813, 5814, 5815, 5816, 5817, 5821, 5822, 5823, 5824, 5825, 5826, 5827, 5828, 5829, 5830, 5831, 5832, 5833, 5834, 5835, 5836, 5837, 5838, 5839, 5840, 5842, 5843, 5844, 5847, 5848, 5849, 5850, 5851, 5852, 5853, 5854, 5855, 5856, 5857.		Note:	Order Part 230978 for Timing Gear Pin Replacement			.010" O.S.		
		394217 Breather Assy. Used on Type Nos. 5818, 5819, 5820, 5841, 5845, 5846.			396877 Crankshaft Used on Type Nos. 2131, 5717, 5727, 5817, 5824, 5827, 5855.			391671 Ring Set—Piston—		
9	* 27803	Gasket—Valve Cover		18	392548	Base—Engine			.020" O.S.	
10	93394	Screw—Sem		Note:	390479 Base—Engine Used on Type No. 2039.			391672 Ring Set—Piston—		
11	280005	Tube—Breather			390479 Base—Engine Used on Type No. 2039.			.030" O.S.		
12	* 27750	Gasket—Crankcase Cover—1/64" thick		19	295963	Bushing—Engine Base		27	68546 Lock—Piston Pin	
	* 27876	Gasket—Crankcase Cover—.005" thick		Note:	Requires special tools for installation.			28	295840 Pin Assembly—	
	* 27877	Gasket—Crankcase Cover—.009" thick			390479 Base—Engine Used on Type No. 2039.				Piston—Standard	
13	93211	Screw—Cylinder Head (2-21/32" long)		20	391086	Seal—Oil			295841 Pin Assembly—	
	Note:	93776 Stud—Cylinder Head		21	66768	Plug—Oil Filler			Piston—.005" O.S.	
		22963 Washer Used on Type Nos. 2154, 2180, 2181, 5816, 5818, 5833, 5850.		22	93585	Screw—Base Mounting Sem			390402 Rod Assy.—Connecting	
14	93723	Screw—Cylinder Head (3" long) 1 Req'd.		23	298260	Flywheel—Magneto			Note:	
	Note:	93781 Stud—Cylinder Head		Note:	392028 Flywheel—Magneto				For Connecting Rod with .020" Undersize Crankpin Bore—Order No. 390773.	
					392028 Flywheel—Magneto			31	222114 Lock—Connecting Rod Screw	
					For Use on Engines with Alternator.				32	92659 Screw—Connecting Rod
					23A 391983 Flywheel and Ring Gear Assy.—Magneto				33	390419 Valve—Exhaust
					For use on engines WITH ALTERNATOR. (Includes aluminum ring gear.)				Note:	
					392034 Flywheel and Ring Gear Assy.—Magneto				390420 Valve—Exhaust	
					For use only on electric starter engines WITHOUT ALTERNATOR (Includes aluminum ring gear.)				Used on Type Nos. 5822, 5833, 5837, 5839.	
					24 222698 Key—Flywheel				34	261055 Valve—Intake
					25 391673 Piston Assy.—Std.				35	65906 Spring—Intake Valve
					391674 Piston Assembly—.010" O.S.				36	26828 Spring—Exhaust Valve
					391675 Piston Assembly—.020" O.S.				37	222475 Guard—Flywheel
									Note:	
									222402 Guard—Flywheel	
									Used on Type No. 5839.	
									38	93777 Screw—Sem
									Note:	
									93535 Screw—Sem (2)	
									22963 Washer (6)	
									Used to Mount Flywheel Guard	
									Used on Type No. 5839.	
									40	221596 Retainer—Intake Valve
									41	292260 Rotocoil—Exhaust Valve

* Included in Gasket Set—Part No. 299577.

191700 to 191799

REF. NO.	PART NO.	DESCRIPTION	REF. NO.	PART NO.	DESCRIPTION	REF. NO.	PART NO.	DESCRIPTION
	Note:	68293 Retainer—Valve Spring Used on Type No. 5833.	65B	94124	Screw—Machine, RD. HD.	123	93357	Screw—Carburetor Mtg.
42	93630	Retainer—Exhaust Valve Rotocoil (2)	66	399671	Clutch Assembly—Rewind Starter (Uses Rubber Coated Retainer Washer—Ref. 71)	125	390811	Carburetor Assembly (Choke-A-Matic)
45	260933	Tappet—Valve		Note:	394558 Clutch Assy.—Rewind Starter (Uses Non-Coated Retainer Washer—Ref. 71)		Note:	390411 Carburetor Assy. (Manual Choke) Used on Type Nos. 2016, 2040, 2111, 2114, 2115, 2141, 2143, 2145, 2147, 2169, 2170, 2173, 2176, 2179, 5716, 5822, 5835, 5837, 5842, 5844, 5848, 5849.
46	211689	Gear—Cam	67	394897	Housing—Rewind Starter Clutch			394042 Carburetor Assy. (Choke-A-Matic) (Flo-Jet) Used on Type Nos. 5818, 5819, 5820, 5841, 5845, 5846, 5850.
52	† 270538	Gasket—Carburetor Mounting	68	63770	Ball—Clutch			
	Note:	270824 Gasket—Carburetor Mounting Used on Type Nos. 5715, 5716, 5717, 5725, 5726, 5727, 5812, 5813, 5814, 5815, 5816, 5817, 5818, 5819, 5820, 5821, 5822, 5823, 5824, 5825, 5826, 5827, 5828, 5829, 5830, 5831, 5832, 5833, 5834, 5835, 5836, 5837, 5838, 5839, 5840, 5841, 5842, 5843, 5844, 5845, 5846, 5847, 5848, 5849, 5850, 5851, 5852, 5853, 5854, 5855, 5856, 5857.	70	298799	Ratchet—Rewind Starter Clutch			
			71	394506	Washer—Clutch Retainer (Rubber Coated)			
				Note:	221653 Washer—Clutch Retainer (Non-Coated)	126	299851	Body Assembly Carburetor
55	393576	Housing—Rewind Starter	73	221796	Screen—Rewind Starter		Note:	394041 Body Assy.—Carburetor Used on Type Nos. 5818, 5819, 5820, 5841, 5845, 5846, 5850.
56	295871	Pulley—Rewind Starter	74	93042	Screw—Sem			
	Note:	Includes 63" Rope; if longer Rope is required, Order Rope No. 66894 and cut to required length.	75	220865	Washer—Spring	127	† 221997	Plug—Welch
			76	68238	Washer—Ratchet Sealing	128	211682	Venturi—Carburetor
57	490179	Spring—Rewind Starter	78	93805	Screw—Sem	130	221986	Valve—Throttle
58	66884	Rope—Rewind Starter—63" long; if longer Rope is needed, Order No. 66894 and cut to required length.	81	222263	Lock—Screw	131	490017	Shaft and Lever—Throttle
			94	† 292681	Valve Assembly—Carburetor Idle		Note:	391512 Shaft and Lever Throttle (Used before Code Date 86071700.)
			95	93499	Screw—Throttle and Choke Valve Mtg. Sem	132	211712	Stop—Throttle
59	230228	Pin—Starter Grip	98	91920	Screw—Machine, Fill. Hd. 8-32 x 5/8"	133	299707	Float—Carburetor
60	66728	Grip—Starter Rope	98A	90200	Screw—Machine, Fill. Hd. 8-32 x 1/2"	134	† 394681	Valve—Fuel Inlet
63	260414	Spring—Ratchet	99	26157	Spring—Throttle Adjustment		Note:	Order No. 394683 for Fuel Pump Applications.
64	230543	Adapter—Ratchet Spring	101	93043	Pin—Throttle Stop	136	221995	Bowl—Float
			104	† 230896	Pin—Float Hinge	137	† 270511	Gasket—Float Bowl
65	93067	Screw—Hex Head Sem	108	222010	Valve—Choke	138	† 222014	Washer—Float Bowl
65A	94018	Screw—Hex. Washer Head	110	220899	Washer—Choke Lever	141	390684	Shaft and Lever—Choke
			111	26229	Spring—Choke Lever	141A	299647	Shaft and Lever—Manual Choke
			112	23270	Screw—Choke Lever	142	† 299740	Nozzle—Carburetor
			118	† 396568	Valve—Needle (Used after Code Date 83051900.)			
				Note:	391233 Valve—Needle (Used before Code Date 83052000.)			
			121	394698	Carburetor Overhaul Kit			

† Included in Carburetor Overhaul Kit—Part No. 394698.

191700 to 191799

REF. NO.	PART NO.	DESCRIPTION	REF. NO.	PART NO.	DESCRIPTION	REF. NO.	PART NO.	DESCRIPTION
167	† 231323	Screw—Nozzle (Used after Code Date 83051900.) Note: 230932 Screw—Nozzle (Used before Code Date 83052000.)	201	261611	Link—Governor Used after Code No. 82121110. Note: 260971 Link—Governor Used before Code No. 82121010.			2016, 2040, 2111, 2114, 2115, 2141, 2143, 2145, 2146, 2147, 2169, 2170, 2173, 2176, 2179, 5716, 5822, 5835, 5837, 5841, 5845, 5846.
169	90832	Washer—Lock— 1/4 x 3/32 x 5/64"	209	261306	Spring—Governor Note: 261129 Spring—Gov. Used on Type No. 5824. 260871 Spring—Gov. Used on Type Nos. 2132, 2133, 2138, 2153, 2157, 2158, 2160, 2161, 2163, 2164, 2165, 2166, 2167, 2172, 2174, 2177, 2178, 5813, 5814, 5819, 5820, 5823, 5830, 5837, 5839, 5857.	224	94018	Screw—Sem
180	390225	Tank Assembly—Fuel (3 Quart) Note: 292415 Tank Assy.—Fuel Used on Type No. 5839.				225	231058	Crank—Governor (1/4" Dia.)
181	397975	Cap—Fuel Tank (2-1/4" I.D.) (Non-Metal) (Used after Code Date 85113100.)				227	391733	Lever Assy.—Governor For 1/4" Dia. Crank
181A	392300	Cap—Fuel Tank (1-9/16" I.D.) (Metal) (Used after Code Date 85120100.) Note: 392305 Cap—Fuel Tank Used on Type No. 5839.	216	261612	Link—Choke Used after Code No. 82121110. Note: 261117 Link—Choke Used before Code No. 82121010.	230	222450	Washer—Gov. Lever (1/4" I.D.)
182	222813	Bracket—Fuel Tank (R.H.)	219	392718	Oil Slinger, Gov. Gear and Bracket Assembly	232	261911	Spring—Governor Link Used after Code No. 82121110. Note: 260584 Spring—Governor Link Used before Code No. 82121010.
182A	222112	Bracket—Fuel Tank (L.H.)	222	390784	Plate—Gov. Control (Choke-A-Matic) Used after Code No. 85041400. 396199 Plate—Gov. Control Used before Code Date 85041500 and after Code Date 82121110. 390662 Plate—Gov. Control Used before Code No. 82121010. Note: 390746 Plate—Gov. Control (Manual Choke) Used after Code No. 82121110. 390661 Plate—Gov. Control Used before Code No. 82121010. on Type Nos.	240	298090	Filter—Fuel Note: 394358 Filter—Fuel (In Fuel Pipe) Used on Engines Equipped with impulse Pump.
183	390406	Strap Assy.—Fuel Tank (R.H.)				244	230318	Connector—Fuel Pipe
183A	390405	Strap Assy.—Fuel Tank (L.H.)				265	221535	Clamp—Casing
184	93803	Screw—Hex. Hd.				268	65616	Casing—Control Wire— 72" long Note: If longer casing is required, specify length in inches; if shorter casing is needed, Order No. 65616 and cut to required length.
185	90970	Nut—Square, 1/4-20				269	26633	Wire—Control— 78" long Note: If longer wire is re- quired, specify length in inches; if shorter wire is needed, Order No. 26633 and cut to required length.
186	67218	Connector—Fuel Pipe						
187	296004	Line—Fuel (23" long) (Cut to Suit) Note: 393815 Line—Fuel (11" long)				270	63426	Locknut—Control Wire Casing
188	93535	Screw—Sem				271	290568	Lever Assy.—Control
198	293934	Valve—Fuel Shut-Off				284	93804	Screw—Clamp Mtg.
199	390303	Connector—Fuel Pipe Note: 297563 Connector— Fuel Pipe Used on Type No. 5839.				298	261409	Locknut—Muffler
200	221760	Guide—Air				300	393010	Muffler—Exhaust (Round Lo-Tone)

† Included in Carburetor Overhaul Kit—Part No. 394698.

191700 to 191799

REF. NO.	PART NO.	DESCRIPTION	REF. NO.	PART NO.	DESCRIPTION	REF. NO.	PART NO.	DESCRIPTION	
300A	398507	Muffler—Exhaust		393981	Housing—Blower		Note:	293918 Plug—Spark (1-1/2" high—37 M.M.) (Resistor Type)	
300B	391313	Muffler—Exhaust			Used on Type Nos. 5818, 5820, 5841, 5845, 5846, 5850.	346	93705	Screw—Sem	
	Note:	391232 Guard—Muffler				351	93735	Screw—Terminal (Truss Hd.)	
	Uses:	93587 Screw—Muffler Bracket to Head		394003	Housing—Blower		Note:	91920 Screw—Terminal (Fillister Hd.)	
		93606 Screw—Guard to Muffler			Used on Type No. 5819.	352	66068	Washer—Insulating	
		222379 Retainer—Guard		399273	Housing—Blower	353	92791	Washer—Lock—Shakeproof (3)	
		Used on Type No. 2172.			Used on Type Nos. 2025, 2026, 2039, 2114, 2115, 2131, 2132, 2135, 2136, 2137, 2138, 2140, 2142, 2146, 2147, 2150, 2151, 2152, 2153, 2154, 2157, 2159, 2161, 2162, 2163, 2164, 2166, 2167, 2168, 2170, 2171, 2172, 2173, 2175, 2176, 2177, 2178, 2179, 2181, 2184.	354	90576	Nut—Hex.—8-32 (2)	
300C	392101	Muffler—Exhaust				355	66554	Collar—Insulating	
303	91205	Elbow—Muffler—90°				356	398808	Wire—Ground (Used with Ref. 333)	
	Note:	91464 Elbow—Muffler, 90°, Street				356A	298693	Wire—Ground (Used only with Ref. 333A) (30" long—cut to suit)	
		Used on Type Nos. 2137, 5819, 5820.				357	91540	Key—Pulley	
		91929 Elbow—Muffler—45°				358	299577	Gasket Set	
		Used on Type No. 5822.				363	19165	Puller—Flywheel	
304	398495	Housing—Blower				367	93380	Screw—Sem	
	Note:	299861 Housing—Blower		305	93158	373	92987	Nut—Hex. (4)	
		Used on Type No. 2040.			Screw—Blower Housing Mounting Sem	383	89838	Wrench—Spark Plug	
		391379 Housing—Blower				387	390818	Pump—Impulse	
		Used on Type Nos. 5725, 5726, 5727, 5812, 5813, 5815, 5816, 5817, 5821, 5823, 5824, 5825, 5826, 5827, 5830, 5831, 5832, 5833, 5843, 5844, 5847, 5848, 5854, 5855, 5857.					Note:	Order No. 394462 for Pump Repair Kit	
		391395 Housing—Blower		306	222830	422	222502	Clamp—Oil Filler Tube	
		Used on Type Nos. 5715, 5716, 5717, 5814, 5822, 5834, 5835, 5836, 5837, 5838, 5839, 5840, 5842, 5849, 5853, 5856.			Shield—Cylinder	423	93984	Screw—Sem	
		392057 Housing—Blower		307	93163	445	393406	Cartridge—Air Cleaner	
		Used on Type Nos. 5828, 5829, 5851, 5852.			Shield Mtg. Sem	455	222561	Cup—Screen Mounting	
				308	222636	468	222562	Screen—Flush Rotating	
					Cover—Cylinder Head		Note:	222302 Screen—(Stationary)	
				309			Uses:	93572 Screw (8)	
					Motor—Starting (12 Volt)			231020 Spacer (4)	
					See Chart for Replacement Parts for Starting Motors on Page 6.			93917 Lockwasher (4)	
					Note: For Starter Generator see MS-6927 for illustration and Parts.			Used on Type Nos. 5824.	
				319	395326	474	393474	Stator—Alternator (Dual Circuit)	
					Armature Assembly (Less Trigger Coil)	474A	392595	Stator—Alternator (Tri-Circuit)	
				332	92284		474B	393295	Stator—Alternator (10 Amp)
					Nut—Flywheel	482	93621	Screw—Sem	
				333	398811		501	394890	Regulator
					Armature—Magneto	517	295423	Pulley—Rope Starter (with Screen)	
				333A	395492		518	69932	Rope—Starter
					Armature Assembly	520	93722	Terminal—Spade	
				334	93381				
					Screw—Armature Mounting Sem				
				337	298809				
					Plug—Spark (1-1/2" high—37-42 M.M.)				

191700 to 191799

REF. NO.	PART NO.	DESCRIPTION	REF. NO.	PART NO.	DESCRIPTION	REF. NO.	PART NO.	DESCRIPTION
523	391840	Cap and Dipstick— Oil Filler	615	93307	Retainer—E-Ring			221940 Guard-Ring Gear
524	68838	Seal—Filler Tube	618	261116	Spring—Choke Return			(Used before Code Date 86082600.)
525	280133	Tube—Oil Filler	621	396847	Switch—Stop (Used after Code Date 85041400)			Both Guards Use:
526	93343	Screw—Regulator		Note:	297472 Switch—Stop (Used after Code Date 85041500)			93712 Screw (2)
527	221428	Clamp (2)						93713 Washer—Lock (2) Used on Type Nos. 5828, 5848, 5851.
528	394045	Line—Vent (10-1/4" long)	634	270382	Washer—Choke Shaft	728	93535	Screw—Sem
534	93622	Screw—Air Cleaner	634A	271013	Washer—Throttle Shaft—Seal (Foam) (Used before Code Date 86071700.)	735	390966	Cord—Starter
534A	93323	Screw—Air Cleaner				741	261195	Gear—Timing
534B	93913	Screw—Air Cleaner				757	212359	Link—Counterweight
534C	93881	Screw—Air Cleaner				758	390172	Counterweight Assy.
535	270528	Element—Air Cleaner	635	66538	Elbow—Spark Plug	759	298909	Pin—Counterweight
536	390379	Cleaner Assy.—Air Note: 391399 Cleaner Assembly—Air (Ducted) Uses: 280111 Support—Air Cleaner Element (Plastic) Used on Type Nos. 5715, 5716, 5717, 5725, 5726, 5727, 5812, 5813, 5814, 5815, 5816, 5817, 5819, 5820, 5821, 5823, 5824, 5825, 5826, 5827, 5830, 5831, 5832, 5834, 5835, 5840, 5841, 5842, 5843, 5844, 5845, 5846, 5847, 5848, 5849, 5853, 5854, 5855, 5856, 5857.	643	222149	Cup—Air Cleaner	761	93874	Screw—Counterweight
			655	222598	Anchor—Spring	763	391604	Electric Starter Kit— 12 volt (Gear Drive)
			657	93496	Screw—Sem Note: 93543 Screw—Sem Used as Casing Clamp on Type Nos. 2040, 5841, 5846.	781	280068	Cap—Starter Pulley
			662	222027	Bracket—Carburetor	800	222095	Retainer
			663	93572	Screw	814	392606	Diode and Connector Assembly Alternator (Tri-Circuit)
			665	296768	Oil Minder	836	93559	Screw—Sem
			670	22963	Spacer—Fuel Tank (4)	841	393514	Clamp—Regulator
			676	393757	Deflector—Exhaust Note: 393761 Deflector— Exhaust (Side Outlet) Used on Type Nos. 2163, 2166.	842	270920	Seal—Filler Cap
			676A	395700	Deflector—Exhaust (Direct Out)	847	392066	Filler Group—Oil
			676B	393758	Deflector—Exhaust (Louvered)	851	221798	Terminal—Ignition Cable
536A	393481	Cleaner Assy.—Air	683	93572	Screw	861	394462	Pump Repair Kit (Walbro)
537	270539	Gasket—Air Cleaner	687	390690	Slide—Friction Control	869	211661	Seat—Intake Valve (Standard)
539	270978	Washer—Air Cleaner	688	221766	Cap—Friction Spring	870	211661	Seat—Exhaust Valve (Standard)
542	231055	Bushing—Gov. Crank (1/4" I.D.)	689	260847	Spring—Friction	871	231218	Guide—Exhaust or Intake Valve See Repair Manual.
562	92613	Bolt—Governor Lever	690	92484	Screw—Machine, Fil. Hd.—10-32 x 1/2"	872	222897	Cover—Air Cleaner
592	231082	Nut—Hex., 10-24	725	223540	Shield—Muffler	873	271171	Gasket—Air Cleaner Cover
601	93053	Clamp—Fuel Pipe	725A	222175	Shield—Fuel Pipe, Heat	874	222898	Plate—Air Cleaner Cartridge
605	222934	Bracket—Regulator	726	392134	Gear—Ring (Aluminum) (Includes Mtg. Parts)	875	393828	Body—Air Cleaner
608	390391	Starter Assy.—Rewind	727	395405	Cover—Starter (Includes Mounting Screws)	877	393456	Diode and Connector Assy. (Dual Circuit)
613	94042	Screw—Muffler (Used after Code Date 82091400) Note: 93704 Screw— Muffler (Used before Code Date 82091300)		Note:	223597 Guard—Ring Gear (Used after Code Date 86082500.)	877A	393814	Diode and Connector Assembly
614	93306	Cotter—Hair Pin				877B	393537	Connector Assembly (Tri-Circuit)
						878	393362	Alternator Harness Assy. (Dual Circuit)

191700 to 191799

REF. NO.	PART NO.	DESCRIPTION	REF. NO.	PART NO.	DESCRIPTION	REF. NO.	PART NO.	DESCRIPTION
878A	393422	Alternator Harness Assembly						
883	270918	Gasket—Exhaust Pipe						
887	391529	Stator Assembly—Alternator (D.C.)						
897	394970	Trigger Coil						
917	223271	Valve Handle—Fuel Shut-Off						
949	397530	Guard—Debris (For Rewind Starter)						
		Note: 398857 Guard—Debris (For Electric Starter Only)						
949A	396581	Guard—Rewind Starter						
952	222495	Spacer—Air Cleaner						
953	222022	Screen—Air Cleaner						
954	223379	Bracket—Guard Mounting						
985	398525	Insulator Assembly						
986	271735	Foam Hat—Debris Guard						
987	398970	Seal—Throttle Shaft (Used after Code Date 86071600.)						
994	399541	Arrester—Spark						
1016	490817	Spacer						
1019	491182	Label Kit						
1020	261190	Eccentric (Used after Code Date 85020100.)						
1021	94160	Pin—Eccentric (Used after Code Date 85020100.)						