

192700 to 192799

Illustrated Parts List Model Series 192700 to 192799

TYPE NUMBERS
0015 through 0027
0110 through 0115
0120 through 0137

TO FIND

THE CORRECT NUMBER OF THE PART YOU NEED:

FOLLOW THE INSTRUCTIONS BELOW

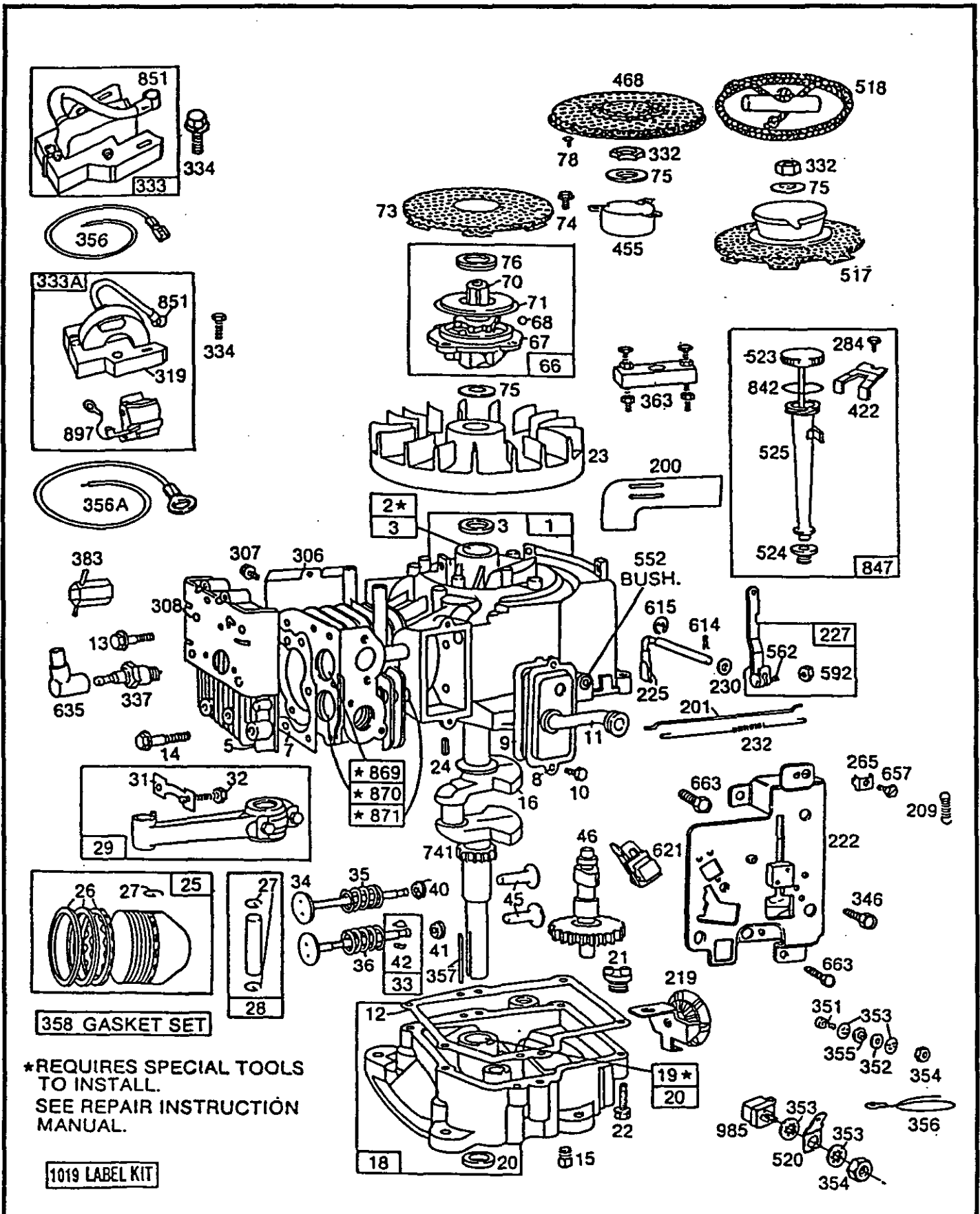
- A. Refer to Engine Model, Type and Code Number that is stamped on the blower housing of engine. Engine type numbers such as 012301 are listed herein only as 0123. The two digits (01 or 02, etc.) to the right of the space are not needed for parts identification. Then use the Illustrated Parts List covering the Model Series.
- B. Refer to Illustrated Parts section and compare the old part with illustration. The number on the illustration is the Reference Number. Assemblies include all parts shown in frames. All parts shown in assembly frames on which individual reference numbers are given can be purchased separately.
- C. After the Reference Number has been identified, refer to the Numerical Parts List, where Reference and Master Part Number are listed. **THE MASTER PART IS USED ON ALL TYPE NUMBERS EXCEPT THOSE TYPE NUMBERS UNDER "NOTE"**.
- D. If a "Note" appears below the Master Part Number, this means that this part differs from the Master Part for certain types. If the Type number is listed under "Note", order the part referred to.
- E. If the Engine Type Number does not appear after any part number listed under "Note", use the Master Part Number.
- F. For Type Numbers higher than those covered by this book, please refer to the factory if you are unable to identify the part by comparison.

PRINTED IN U.S.A.

COPYRIGHT 8



192700 to 192799

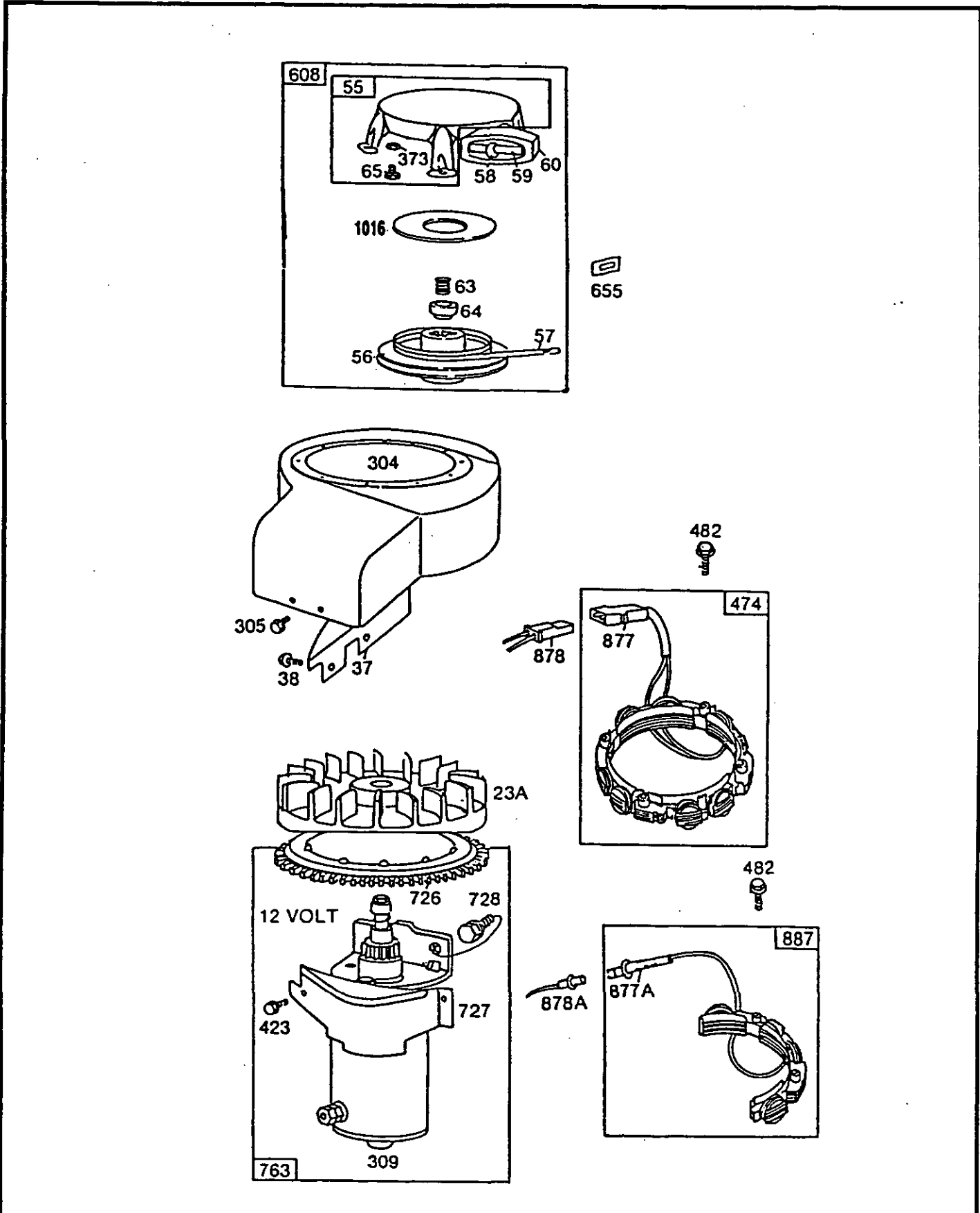


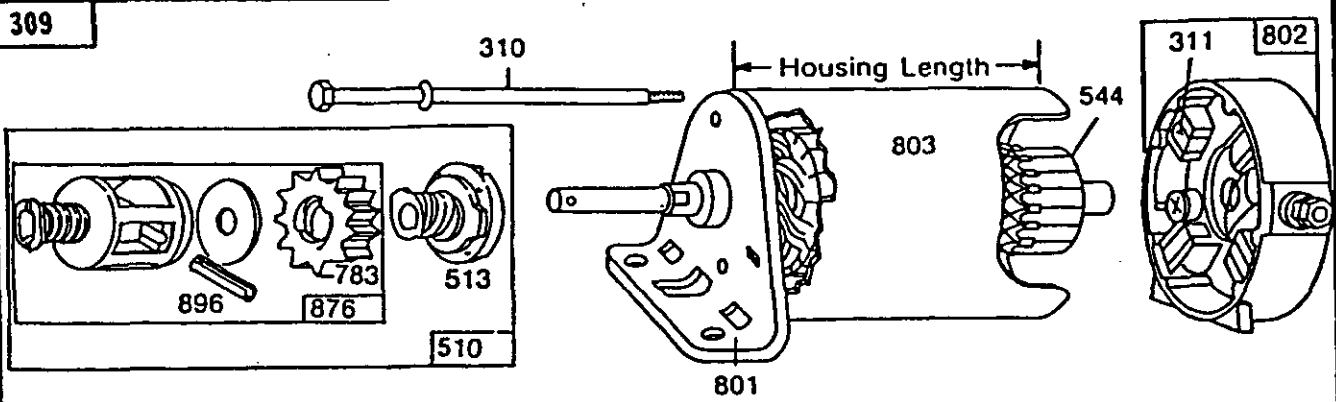
8478-1

Assemblies include all parts shown in frames.

30

192700 to 192799





NOTE:
To identify Briggs & Stratton manufactured starter motors, measure the housing length.

Reference Number		309	310	311	510	544	801	802	803
Manufacturer		Motor and Drive Ass'y.	Thru Bolt Assembly	Brush Assembly	Drive Assembly	Armature Assembly	Drive End Cap Assembly	End Cap Ass'y. Commutator	Housing Assembly
Briggs & Stratton	Housing Length								
12V	3-21/32"	394805	94003	395538	396865**	390837	394857	395537*	393825

*Includes Brush Set
 **Includes #391135 Clutch Assembly (Ref. No. 513)
 #280104 Gear (Ref. No. 783)
 #393254 Retainer and Pin (Ref. No. 876)
 # 93754 Roll Pin (Ref. No. 896)

192700 to 192799

REF. NO.	PART NO.	DESCRIPTION	REF. NO.	PART NO.	DESCRIPTION	REF. NO.	PART NO.	DESCRIPTION	
1	397167	Cylinder Assembly	23	298260	Flywheel—Magneto	31	222114	Lock—Connecting Rod Screw	
2	261697	Bushing—Cylinder	23A	391983	Flywheel and Ring Gear Assy.—Magneto For use on engines	32	92659	Screw—Connecting Rod	
	Note:	Requires special tools for installation.			WITH ALTERNATOR	33	390420	Valve—Exhaust	
3	294606	Seal—Oil			(Includes aluminum ring gear.) For use only with starter motors with Plastic Drive Gear.	34	261055	Valve—Intake	
5	212286	Head—Cylinder			Note: 392034 Flywheel and Ring Gear Assy.—Magneto For use only on electric starter engines	35	65906	Spring—Intake Valve	
7	* 270430	Gasket—Cylinder Head			WITHOUT ALTERNATOR	36	26828	Spring—Exhaust Valve	
8	391406	Breather Assembly			(Includes aluminum ring gear.) For use only with starter motors with Plastic Drive Gear.	37	222475	Guard—Flywheel	
	Note:	299848 Breather Assy. Used on Type No. 0135.				38	93777	Screw—Sem	
		394217 Breather Assy. Used on Type No. 0133.	24	222698	Key—Flywheel	40	221596	Retainer—Intake Valve	
9	* 27803	Gasket—Valve Cover	25	393868	Piston Assy.—Std.	41	292260	Rotocoil—Exhaust Valve	
10	93394	Screw—Sem			393869	Piston Assembly— .010" O.S.	42	93630	Retainer—Exhaust Valve Rotocoil (2)
11	280005	Tube—Breather			393879	Piston Assembly— .020" O.S.	45	260933	Tappet—Valve
12	* 27750	Gasket—Crankcase Cover—1/64" thick			393880	Piston Assembly— .030" O.S.	46	211689	Gear—Cam
	* 27876	Gasket—Crankcase Cover—.005" thick					52	* 270824	Gasket—Carburetor Mounting
	* 27877	Gasket—Crankcase Cover—.009" thick						Note:	270538 Gasket—Carburetor Mounting Used on Type No. 0135.
13	93211	Screw—Cylinder Head (2-21/32" long)					55	393576	Housing—Rewind Starter
14	93723	Screw—Cylinder Head (3" long)					56	295871	Pulley—Rewind Starter
15	91084	Plug—Oil Drain						Note:	Includes 63" Rope; if longer Rope is required, Order Rope No. 66894 and cut to required length.
	Note:	93418 Plug—Oil Drain (Hex. Socket) Used on Type No. 0137.					57	490179	Spring—Rewind Starter
16	492450	Crankshaft					58	66884	Rope—Rewind Starter—63" long; if longer Rope is needed, Order No. 66894 and cut to required length.
	Note:	To Replace Crankshaft Gear Pin, Order Part No. 230978.					59	230228	Pin—Starter Grip
		492452 Crankshaft Used on Type Nos. 0017, 0027, 0120, 0123, 0127.	26	393881	Ring Set—Piston—Std.		60	66728	Grip—Starter Rope
		492453 Crankshaft Used on Type No. 0132.			393882	Ring Set—Piston— .010" O.S.	63	260414	Spring—Ratchet
18	392548	Base—Engine			393883	Ring Set—Piston— .020" O.S.	64	230543	Adapter—Ratchet
	Note:	397305 Base—Engine Used on Type No. 0137.			393884	Ring Set—Piston— .030" O.S.	65	94128	Screw—Stamped Steel Rewind Starter Housing Mounting
19	295963	Bushing—Engine Base	27	68546	Lock—Piston Pin		66	399671	Clutch Assembly—Rewind Starter
	Note:	Requires special tools for installation.	28	295840	Pin Assy.—Piston—Standard		67	394897	Housing—Rewind Starter Clutch
20	391086	Seal—Oil			295841	Pin Assy.—Piston— .005" O.S.	68	63770	Ball—Clutch
21	66768	Plug—Oil Filter	29	390402	Rod Assembly—Connecting		70	298799	Ratchet—Rewind Starter Clutch
22	93585	Screw—Base Mtg. Sem					71	394506	Washer—Clutch Retainer (Rubber Coated)
					PISTON RING SETS:				
					Note:				For Chrome Piston Ring Set—Standard Size—Order No. 299743.

* Included In Gasket Set—Part No.299577

192700 to 192799

REF. NO.	PART NO.	DESCRIPTION	REF. NO.	PART NO.	DESCRIPTION	REF. NO.	PART NO.	DESCRIPTION
	Note:	221653 Washer—Clutch Retainer (Non-Coated)	128	211682	Venturi—Carburetor		Note:	295896 Connector—Fuel Pipe Used on Type No. 0135.
73	221796	Screen—Rewind Starter	130	221986	Valve—Throttle	200	221760	Guide—Air
74	93042	Screw—Sem	131	490017	Shaft and Lever—Throttle	201	261611	Link—Governor
75	220865	Washer—Spring	132	211712	Stop—Throttle	209	261306	Spring—Governor
76	68238	Washer—Ratchet Sealing	133	299707	Float—Carburetor	Note:	260871 Spring—Gov. Used on Type No. 0126.	
78	93805	Screw—Sem	134	† 394681	Valve—Fuel Inlet			
81	222263	Lock—Muffler Screw		Note:	Order No. 394683 for Fuel Pump Application			
94	† 292681	Valve Assembly—Carburetor Idle	136	221995	Bowl—Float	216	261612	Link—Choke
95	93499	Screw—Throttle and Choke Valve Mtg. Sem	137	† 270511	Gasket—Float Bowl	219	392718	Oil Slinger, Gov. Gear and Bracket Assembly
98	91920	Screw—Machine, Fill. Hd. 8-32 x 5/8"	138	† 222014	Washer—Float Bowl	222	491594	Plate—Gov. Control (Choke-A-Matic®)
99	26157	Spring—Throttle Adjustment	141	390684	Shaft and Lever—Choke	Note:	491593 Plate—Governor Control Used on Type Nos. 0110, 0111, 0114, 0115, 0129, 0132, 0133, 0134.	
101	93043	Pin—Throttle Stop	141A	299647	Shaft and Lever—Manual Choke			
104	† 230896	Pin—Float Hinge	142	† 299740	Nozzle—Carburetor	224	94018	Screw—Sem
108	222010	Valve—Choke	147	† 231323	Screw—Nozzle	225	231058	Crank—Governor (1/4" Dia.)
110	220899	Washer—Choke Lever	169	90832	Washer—Lock—1/4" x 3/32" x 5/64"	227	391733	Lever Assy.—Governor For 1/4" Dia. Crank
111	26229	Spring—Choke Lever	180	390225	Tank Assy.—Fuel (3 Quart)	230	222450	Washer—Governor Lever (1/4" I.D.)
112	23270	Screw—Choke Lever	181	397975	Cap—Fuel Tank (2-1/4" I.D.) (Non-Metal) (Used after Code Date 85113100.)	232	261911	Spring—Governor Link
118	† 396568	Valve—Needle (Used after Code Date 83051900.)	181A	392300	Cap—Fuel Tank (1-9/16" I.D.) (Metal) (Used before Code Date 85120100.)	240	298090	Filter—Fuel
	Note:	391233 Valve—Needle (Used before Code Date 83052000.)	182	222813	Bracket—Fuel Tank, R.H.	244	230318	Connector—Fuel Line
121	394698	Carburetor Overhaul Kit	182A	222112	Bracket—Fuel Tank, L.H.	Note:	394358 Filter—Fuel (In Fuel Pipe) Used on Engines Equipped with Impulse Pump.	
123	93357	Screw—Carburetor Mounting		Note:	223157 Support—Fuel Tank	265	221535	Clamp—Casing
125	390811	Carburetor Assembly (Choke-A-Matic®)	183	390406	Strap Assy.—Fuel Tank	268	65616	Casing—Control Wire—72" long
	Note:	390411 Carburetor Assy. (Manual Choke) Used on Type Nos. 0110, 0111, 0114, 0115, 0129, 0132, 0134.	183A	390405	Strap Assy.—Fuel Tank		Note:	If longer casing is required, specify length in inches; if shorter casing is needed, Order No. 65616 and cut to required length.
		491589 Carburetor Assy. (Choke-A-Matic®) (Flo-Jet) Used on Type No. 0133.	184	93803	Screw—Hex. Hd.			
126	299851	Body Assy.—Lower Carburetor	185	90970	Nut—Square, 1/4-20	269	26633	Wire—Control—78" long
	Note:	394041 Body Assy.—Carburetor Used on Type No. 0133.	186	67218	Connector—Fuel Pipe			
127	221997	Plug—Welch	187	296004	Pipe—Fuel			
			188	93535	Screw—Sem			
			198	293934	Valve—Fuel Shut-Off			
			199	390303	Connector—Fuel Pipe			

† Included in Carburetor Overhaul Kit—Part No. 394698

192700 to 192799

REF. NO.	PART NO.	DESCRIPTION	REF. NO.	PART NO.	DESCRIPTION	REF. NO.	PART NO.	DESCRIPTION
	Note:	If longer wire is required, specify length in inches; if shorter wire is needed, Order No. 26633 and cut to required length.		Note:	293918 Plug—Spark (1-1/2" High—37 M.M. Resistor Type)	562	92613	Bolt—Governor Lever
270	63426	Locknut—Control Wire Casing	346	93705	Screw—Hex. Head	592	231082	Nut—Hex., 10-24
271	290568	Lever Assy.—Control	351	93735	Screw—Terminal	601	93053	Clamp—Fuel Pipe
284	93572	Screw—Clamp Mtg.	352	66068	Washer—Insulating	608	390391	Starter Assy.—Rewind
298	261409	Muffler—Locknut	353	92791	Washer—Lock—Shakeproof	613	94042	Screw—Muffler Mtg.
300	393010	Muffler—Exhaust (Round Lo-Tone)	354	90576	Nut—Hex—8-32 (2)	613A	94054	Screw—Muffler
300A	398507	Muffler—Exhaust	355	66554	Collar—Insulating	614	93306	Cotter—Hair Pin
300B	391313	Muffler—Exhaust	356	398808	Wire—Ground (Used with Ref. 333)	615	93307	Retainer—E-Ring
300C	399355	Muffler—Exhaust	357	91540	Key—Pulley Mounting	618	261116	Spring—Choke Return
304	491407	Housing—Blower	358	299577	Gasket Set	621	396847	Switch—Stop (Used after Code Date 85041400.)
	Note:	398495 Housing—Blower Used on Type No. 0110.	363	19203	Puller—Flywheel		Note:	297472 Switch—Stop (Used before Code Date 85041500.)
		491408 Housing—Blower Used on Type Nos. 0025, 0027, 0114, 0115, 0122, 0123, 0132, 0133, 0136.	373	92987	Nut—Hex	634	270382	Washer—Choke Shaft
		491595 Housing—Blower (With 2 Qt. Fuel Tank) Used on Type No. 0135.	383	89838	Wrench—Spark Plug Illustrated Pages.	634A	271013	Washer—Throttle Shaft (Foam) (Used before Code Date 86071700.)
305	93158	Screw—Blower Housing Mtg. Sem	422	222502	Clamp—Oil Filler Tube	635	66538	Elbow—Spark Plug
306	222830	Shield—Cylinder	423	93984	Screw—Sem	643	222149	Cup—Air Cleaner
307	93163	Screw—Cylinder Shield Mtg. Sem	445	393406	Cartridge—Air Cleaner	655	222598	Anchor—Spring
308	222636	Cover—Cylinder Head	455	222561	Cup—Screen Mounting	657	93496	Screw—Sem
309		Motor—Starting (12 Volt) See Chart for Replacement Parts for Starting Motors on Illustrated Pages.	468	222562	Screen—Flush Rotating	662	222027	Bracket—Carburetor
319	395326	Armature Assembly	474	393474	Stator—Alternator	663	93572	Screw
332	92284	Nut—Flywheel	482	93621	Screw—Stator Mtg.	670	22963	Spacer—Fuel Tank (4 Used on Engines with no Electric Starter)
333	398811	Armature—Magneto	517	295423	Pulley—Rope Starter (with Screen)	676	393757	Deflector—Exhaust (Side Outlet)
333A	395492	Armature Group	518	69932	Rope—Starter	676A	395700	Deflector—Exhaust (Direct Outlet)
334	93381	Screw—Armature Mounting Sem	520	93722	Terminal—Spade	683	93572	Screw
337	298809	Plug—Spark (1-1/2" high—37-42 M.M.)	523	391840	Cap and Dipstick—Oil Filler	725	223540	Shield—Muffler
			524	68838	Seal—Filler Tube	725A	222175	Shield—Fuel Pipe, Heat
			525	280133	Tube—Oil Filler	725B	223645	Shield—Muffler
			527	221428	Clamp (2)	726	392134	Gear—Ring (Aluminum) (Includes Mounting Screws)
			534	93323	Screw—Air Cleaner	727	395405	Cover—Starter (Includes Mounting Screws)
			534A	93913	Screw—Air Cleaner	728	93535	Screw—Sem (5/16-18 x 3/4" long)
			534B	93881	Screw—Air Cleaner		Note:	93523 Screw—Sem (5/16-18 x 11/16" long)
			534C	93622	Screw—Air Cleaner			
			535	270528	Eelment—Air Cleaner	741	261195	Gear—Timing
			536	393481	Cleaner Assy.—Air			
			536A	390379	Cleaner Assy.—Air			
				Note:	391399 Cleaner Assembly—Air			
				Uses:	280111 Support—Air Cleaner Element (Plastic) Used on Type No. 0136.			
			537	270539	Gasket—Air Cleaner			
			549	270978	Washer—Air Cleaner			
			552	231055	Bushing—Governor Crank (1/4" I.D.)			

192700 to 192799

REF. NO.	PART NO.	DESCRIPTION	REF. NO.	PART NO.	DESCRIPTION	REF. NO.	PART NO.	DESCRIPTION
763	394952	Electric Starter Kit 12 Volt (Gear Drive)						
836	93559	Screw—Sem						
842	270920	Seal—Filler Cap						
847	392066	Filler Group—Oil						
851	221798	Terminal—Ignition Cable						
869	211661	Seat—Intake Valve (Standard)						
870	211661	Seat—Exhaust Valve (Standard)						
871	261961	Guide—Exhaust Valve						
	Note:	231218 Guide— Intake Valve See Repair Manual						
872	397981	Cover—Air Cleaner						
873	397972	Gasket—Air Cleaner Cover						
874	222898	Plate—Air Cleaner Cartridge						
875	397320	Body—Air Cleaner						
877	393456	Diode and Connector Assy. (Dual Circuit)						
877A	393814	Diode and Connector Assy. (D.C.)						
878	393362	Alternator Harness Assy. (Dual Circuit)						
878A	393422	Alternator Harness Assy. (Dual Circuit)						
883	270918	Gasket—Exhaust						
887	391529	Stator Assembly— Alternator (D.C.)						
897	394970	Trigger Coil						
917	223271	Valve Handle— Fuel Shut-Off						
952	222495	Spacer—Air Cleaner						
953	222022	Screen—Air Cleaner						
985	398525	Insulator Assembly						
987	398970	Seal—Throttle Shaft (Used after Code Date 86071600.)						
994	399541	Arrester—Spark						
1016	490817	Spacer						
1019	491184	Label Kit						



BRIGGS & STRATTON

®