

193700 to 193799

Illustrated Parts List

Model Series

193700 to 193799

TYPE NUMBERS

0015, 0016, 0025

0110, 0111, 0114,

0115

0120 through 0162

0167 through 0174

TO FIND

THE CORRECT NUMBER OF THE PART YOU NEED:

FOLLOW THE INSTRUCTIONS BELOW

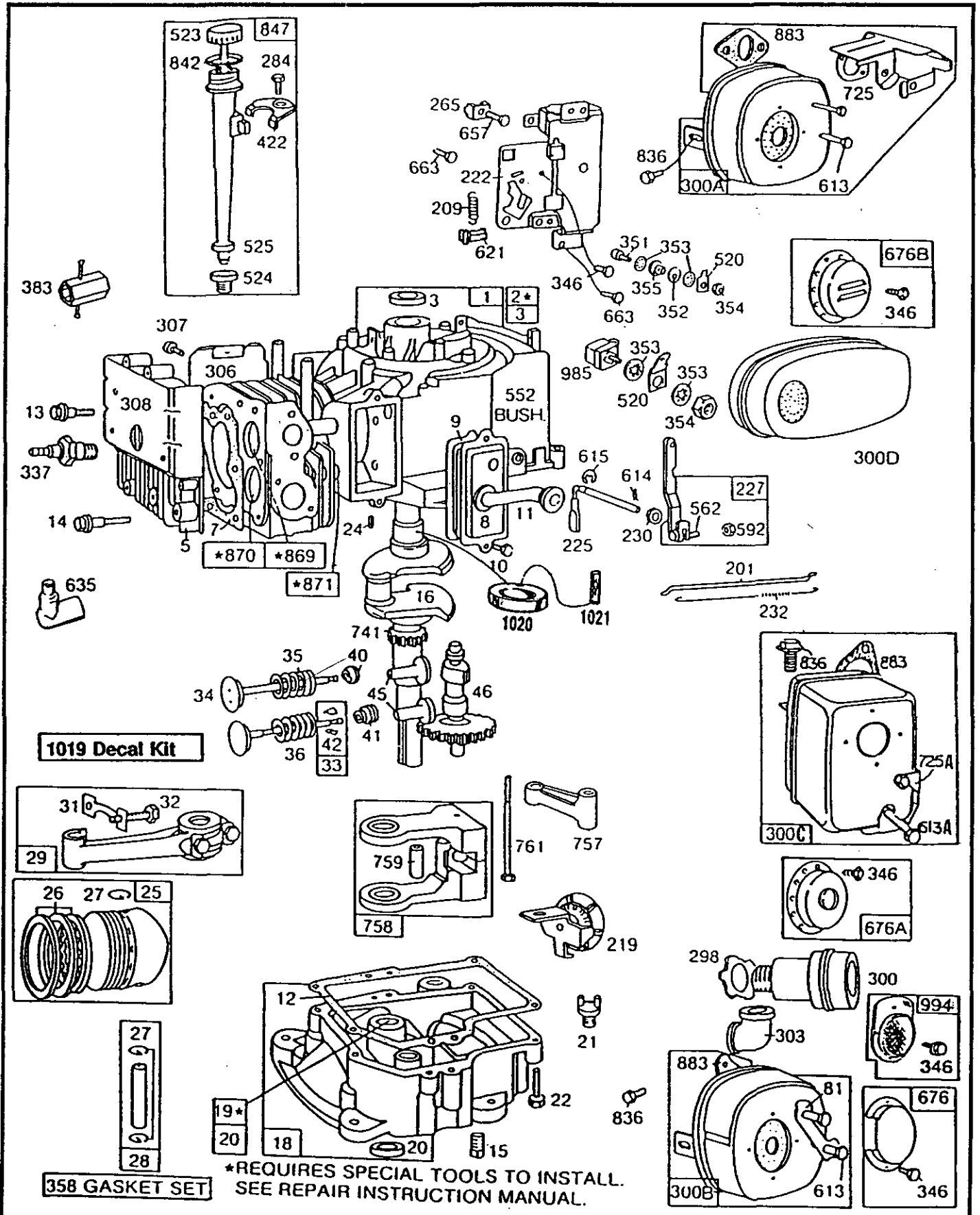
- A. Refer to Engine Model, Type and Code Number that is stamped on the blower housing of engine. Engine type numbers such as 012301 are listed herein only as 0123. The two digits (01 or 02, etc.) to the right of the space are not needed for parts identification. Then use the *Illustrated Parts List* covering the Model Series.
- B. Refer to Illustrated Parts section and compare the old part with illustration. The number on the illustration is the Reference Number. Assemblies include all parts shown in frames. All parts shown in assembly frames on which individual reference numbers are given can be purchased separately.
- C. After the Reference Number has been identified, refer to the Numerical Parts List, where Reference and Master Part Number are listed. **THE MASTER PART IS USED ON ALL TYPE NUMBERS EXCEPT THOSE TYPE NUMBERS UNDER "NOTE"**.
- D. If a "Note" appears below the Master Part Number, this means that this part differs from the Master Part for certain types. If the Type number is listed under "Note", order the part referred to.
- E. If the Engine Type Number does not appear after any part number listed under "Note", use the Master Part Number.
- F. For Type Numbers higher than those covered by this book, please refer to the factory if you are unable to identify the part by comparison.

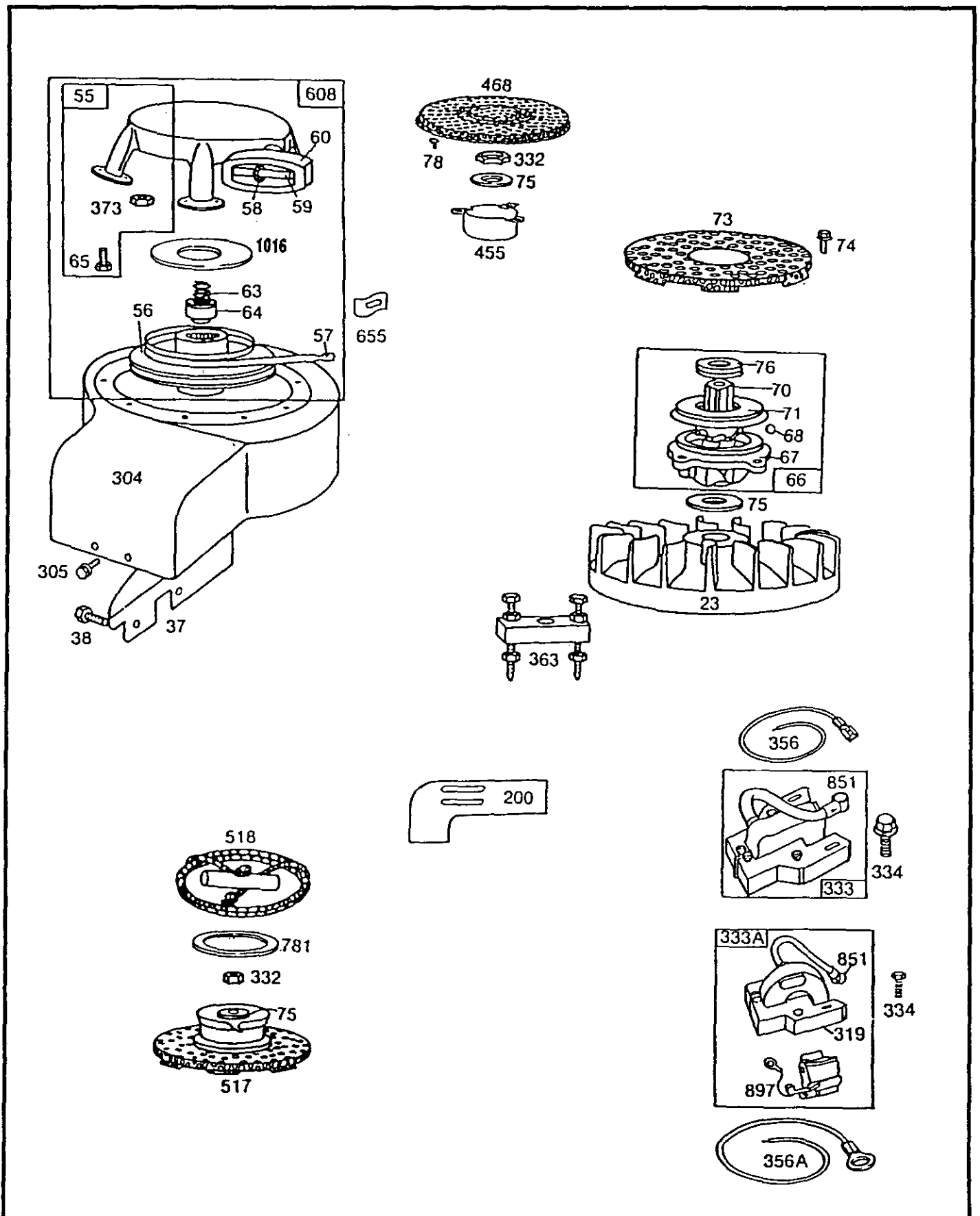
PRINTED IN U.S.A.

COPYRIGHT ©

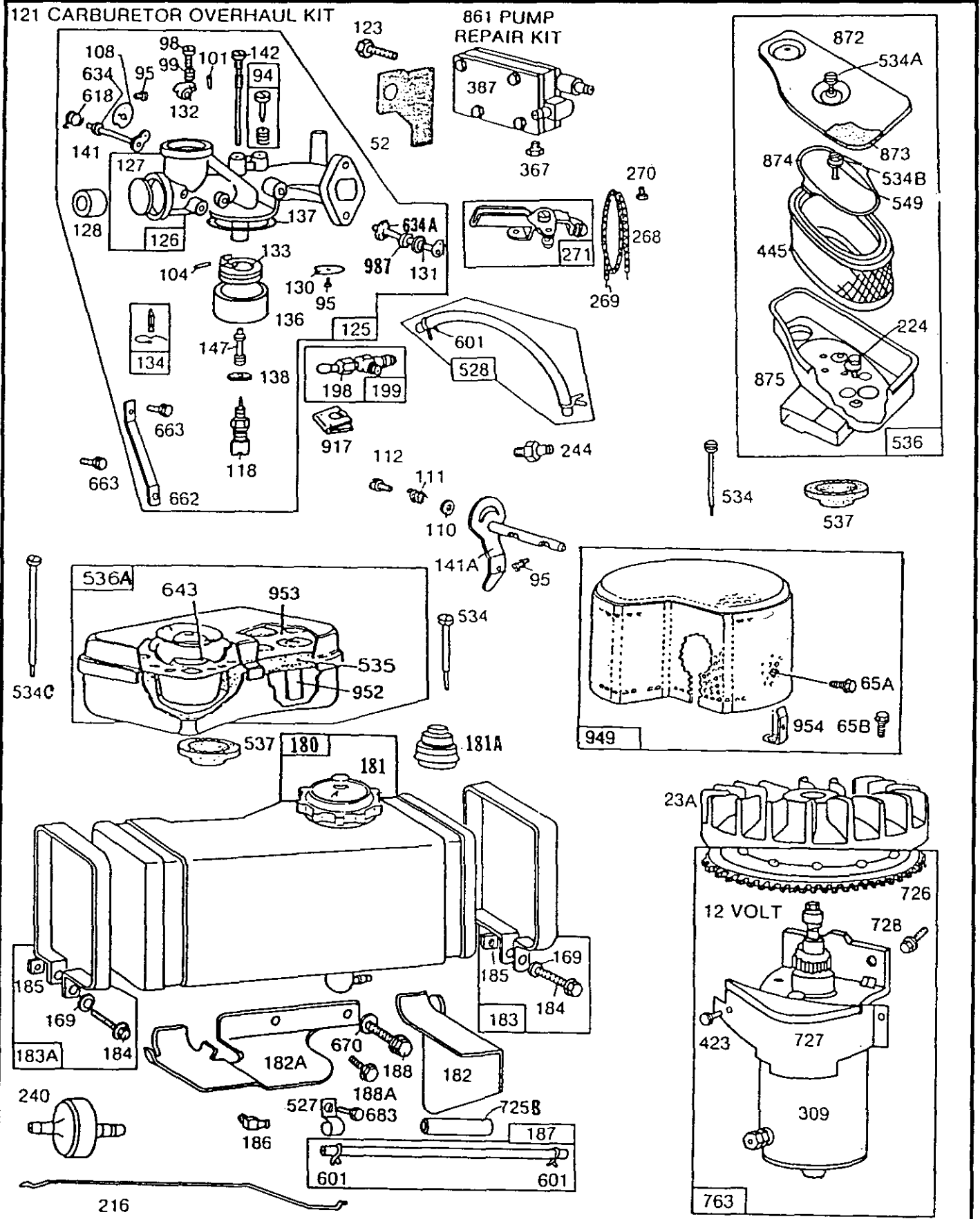


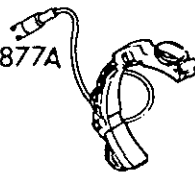
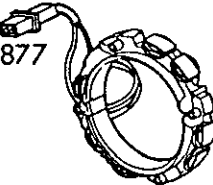
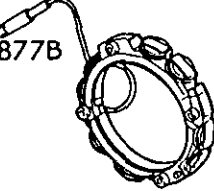



193700 to 193799





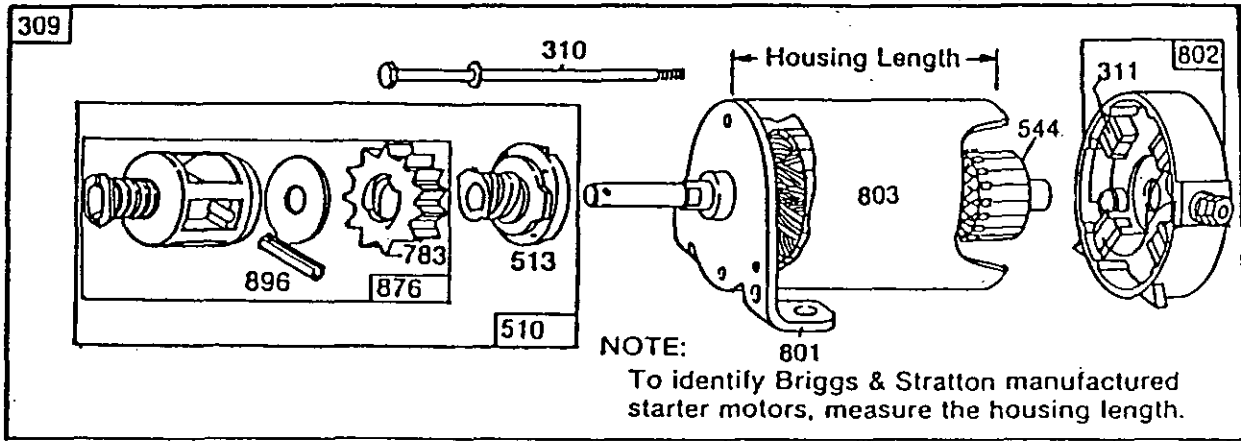
193700 to 193799



DC ONLY	DUAL CIRCUIT	TRI-CIRCUIT
23A	23A	23A
887 	474 	474A 
		

NOTE; All stators use No. 482 Mtg. Screw.

193700 to 193799



Reference Number	309	310	311	510	544	801	802	803	
Manufacturer	Motor and Control Ass'y.	Thru Bolt Assembly	Brush Assembly	Drive Assembly	Armature Assembly	Drive End Cap Assembly	End Cap Ass'y. Commutator	Housing Assembly	
Briggs & Stratton	Housing Length								
12V	3-21/32"	394805	94003	395538	396865**	392747	394857	395537*	393825

*Includes Brush Set

**Includes #391135 Clutch Assembly (Ref. No. 513)
 #280104 Gear (Ref. No. 783)
 #393254 Retainer and Pin (Ref. No. 876)
 # 93754 Roll Pin (Ref. No. 896)

193700 to 193799

REF. NO.	PART NO.	DESCRIPTION	REF. NO.	PART NO.	DESCRIPTION	REF. NO.	PART NO.	DESCRIPTION
	Note:	Includes 63" Rope; if longer Rope is required, Order Rope No. 66894 and cut to required length.	95	93499	Screw—Throttle and Choke Valve Mtg. Sem	181	397975	Cap—Fuel Tank (2-1/4" I.D.) (Non-Metal) (Used after Code Date 85113100.)
57	490179	Spring—Rewind Starter	98	91920	Screw—Machine, Fill. Hd. 8-32 x 5/8"	181A	392300	Cap—Fuel Tank (1-9/16" I.D.) (Metal) (Used before Code Date 85120100.)
58	66884	Rope—Rewind Starter—63" long; if longer Rope is needed, Order No. 66894 and cut to required length.	101	93043	Pin—Throttle Stop	182	222813	Bracket—Fuel Tank (R.H.)
59	230228	Pin—Starter Grip	104	†230896	Pin—Float Hinge	182A	222112	Bracket—Fuel Tank (L.H.)
60	66728	Grip—Starter Rope	108	222010	Valve—Choke		Note:	223157 Support—Fuel Tank
63	260414	Spring—Ratchet	110	220899	Washer—Choke Lever			93158 Sem—Screw Used in Addition to 222112 Bracket—Fuel Tank Used on Type Nos. 0144, 0145, 0171.
64	230543	Adapter—Ratchet Spring	111	26229	Spring—Choke Lever	183	390406	Strap Assy.—Fuel Tank (R.H.)
65	94128	Screw—Rewind Starter Housing Mtg. Sem	112	23270	Screw—Choke Lever	183A	390405	Strap Assy.—Fuel Tank (L.H.)
65A	94018	Screw—Hex. Washer Head	118	†396568	Valve—Needle	184	93803	Screw—Hex. Hd.
65B	93067	Screw—Hex. Hd. Sem	121	394698	Carburetor Overhaul Kit	185	90970	Nut—Square, 1/4-20
66	399671	Clutch Assembly—Rewind Starter (Uses Rubber Coated Retainer Washer—Ref. 71)	123	93357	Screw—Carburetor Mtg.	186	67218	Connector—Fuel Pipe
	Note:	394558 Clutch Assy.—Rewind Starter (Uses Non-Coated Retainer Washer—Ref. 71)	125	390811	Carburetor Assembly (Choke-A-Matic®)	187	296004	Line—Fuel (23" long)
67	394897	Housing—Rewind Starter Clutch		Note:	390411 Carburetor Assembly (Manual Choke) Used on Type Nos. 0016, 0110, 0111, 0114, 0115, 0122, 0124, 0135, 0139, 0150, 0159, 0160, 0167, 0173.		Note:	393815 Line—Fuel (11" long)
68	63770	Ball—Clutch	126	299851	Body Assembly Carburetor	188	93634	Screw—Hex Head
70	298799	Ratchet—Rewind Starter Clutch	127	†221997	Plug—Welch	188A	93535	Screw—Sem
71	394506	Washer—Clutch Retainer (Rubber Coated)	128	211682	Venturi—Carburetor	198	293934	Valve—Fuel Shut-Off
	Note:	221653 Washer—Clutch Retainer (Non-Coated)	130	221986	Valve—Throttle	199	390303	Connector—Fuel Pipe
73	221796	Screen—Rewind Starter	131	490017	Shaft and Lever—Throttle		Note:	295896 Outlet Assembly Used on Type Nos. 0162, 0169, 0170.
74	93042	Screw—Sem		Note:	391512 Shaft and Lever—Throttle (Used before Code Date 86071700.)	200	221760	Guide—Air
75	220865	Washer—Spring	132	211712	Stop—Throttle	201	261611	Link—Governor
76	68238	Washer—Ratchet Sealing	133	299707	Float—Carburetor	209	261306	Spring—Governor
78	93805	Screw—Sem	134	†394681	Valve—Fuel Inlet		Note:	260871 Spring—Gov. Used on Type Nos. 0140, 0143, 0146, 0149, 0151, 0152.
81	222263	Lock—Screw	136	221995	Bowl—Float	216	261612	Link—Choke
94	†292681	Valve Assembly—Carburetor Idle	137	†270511	Gasket—Float Bowl	219	392718	Oil Slinger, Gov. Gear and Bracket Assembly
			138	†222014	Washer—Float Bowl			
			141	390684	Shaft and Lever—Choke			
			141A	299647	Shaft and Lever—Manual Choke			
			142	†299740	Nozzle—Carburetor			
			147	†231323	Screw—Nozzle			
			169	90832	Washer—Lock—1/4 x 3/32 x 5/64"			
			180	390225	Tank Assembly—Fuel (3 Quart)			

† Included in Carburetor Overhaul Kit—Part No. 394698.

193700 to 193799

REF. NO.	PART NO.	DESCRIPTION	REF. NO.	PART NO.	DESCRIPTION	REF. NO.	PART NO.	DESCRIPTION
222	390784	Plate—Gov. Control (Choke-A-Matic) (Used after Code Date 85041400.) 396199 Plate—Gov. Control (Used before Code Date 85041500.) Note: 390746 Plate—Gov. Control (Manual Choke) Used on Type Nos. 0016, 0110, 0111, 0114, 0115, 0122, 0124, 0135, 0139, 0150, 0159, 0160, 0167, 0173.	300	393010	Muffler—Exhaust (Round Lo-Tone)	337	298809	Plug—Spark (1-1/2" high— 37-42 M.M.)
			300A	398507	Muffler—Exhaust			Note: 293918 Plug—Spark (1-1/2" high—37 M.M.) (Resistor Type)
			300B	391313	Muffler—Exhaust	346	93705	Screw—Sem
			300C	399355	Muffler—Exhaust	351	93735	Screw—Terminal (Truss Hd.)
			300D	392101	Muffler—Exhaust	352	66068	Washer—Insulating
			303	91205	Elbow—Muffler—90°	353	92791	Washer—Lock— Shakeproof (3)
				Note: 94089 Elbow—Muffler— 45° Used on Type No. 0135.	354	90576	Nut—Hex.—8-32 (2)	
			304	391395	Housing—Blower	355	66554	Collar—Insulating
				Note: 391379 Housing— Blower Used on Type Nos. 0025, 0114, 0115, 0127, 0129, 0133, 0134, 0137, 0138, 0142, 0145, 0147, 0148, 0149, 0151, 0152, 0154, 0155, 0156, 0159, 0160, 0169, 0172, 0174.	356	398808	Wire—Ground Used with Armature Ref. 333 Only.	
224	94018	Screw—Sem				356A	298693	Wire—Ground (30" long—cut to suit) Used with Armature Ref. 333A.
225	231058	Crank—Governor (1/4" Dia.)				358	299577	Gasket Set
227	391733	Lever Assy.—Governor For 1/4" Dia. Crank				363	19165	Puller—Flywheel
230	222450	Washer—Gov. Lever (1/4" I.D.)				367	93380	Screw—Sem
232	261911	Spring—Governor Link				373	92987	Nut—Hex. (4)
240	298090	Filter—Fuel Note: 394358 Filter— Fuel Used on Type Nos. 0161, 0167, 0168.				383	89838	Wrench—Spark Plug
244	230318	Connector—Fuel Pipe				387	390818	Pump—Impulse Note: Order No. 394462 for Pump Repair Kit
265	221535	Clamp—Casing				422	222502	Clamp—Oil Filler Tube
268	65616	Casing—Control Wire— 72" long Note: If longer casing is required, specify length in inches; if shorter casing is needed, Order No. 65616 and cut to required length.				423	93984	Screw—Sem
						445	393406	Cartridge—Air Cleaner
						455	222561	Cup—Screen Mounting
			305	93158	Screw—Blower Housing Mounting Sem	468	222562	Screen—Flush Rotating
			306	222830	Shield—Cylinder	474	393474	Stator—Alternator
			307	93163	Screw—Cylinder Shield Mtg. Sem	474A	392595	Stator—Alternator
			308	222636	Cover—Cylinder Head	482	93621	Screw—Sem
			309		Motor—Starting (12 Volt) See Chart for Replace- ment Parts for Starting Motors on Page 6.	517	295423	Pulley—Rope Starter (with Screen)
269	26633	Wire—Control— 78" long Note: If longer wire is re- quired, specify length in inches; if shorter wire is needed, Order No. 26633 and cut to required length.	319	395326	Armature Assembly (Less Trigger Coil)	518	69932	Rope—Starter
			332	92284	Nut—Flywheel	520	93722	Terminal—Spade
			333	398811	Armature Assembly	523	391840	Cap and Dipstick— Oil Filler
			333A	395492	Armature Assembly	524	68838	Seal—Filler Tube
			334	93381	Screw—Armature Mounting Sem	525	280133	Tube—Oil Filler
270	63426	Locknut—Control Wire Casing				527	221428	Clamp (2)
271	290568	Lever Assy.—Control				528	393815	Line—Vent
284	93804	Screw—Clamp Mtg.				534	93323	Screw—Air Cleaner
298	261409	Locknut—Muffler				534A	93913	Screw—Air Cleaner
						534B	93881	Screw—Air Cleaner
						534C	93622	Screw—Air Cleaner
						535	270528	Element—Air Cleaner
						536	393481	Cleaner Assy.—Air

193700 to 193799

REF. NO.	PART NO.	DESCRIPTION	REF. NO.	PART NO.	DESCRIPTION	REF. NO.	PART NO.	DESCRIPTION
536A	390379	Cleaner Assy.—Air	725	223540	Shield—Muffler	887	391529	Stator Assembly—
	Note:	391399 Cleaner	725A	223645	Shield—Muffler			Alternator (D. C.)
		Assembly—Air	725B	222175	Shield—Fuel Pipe,	897	394970	Trigger Coil
	Uses:				Heat	917	223271	Valve Handle—
		280111 Support—Air	726	392134	Gear—Ring (Aluminum)			Fuel Shut-Off
		Cleaner Element			(Includes Mounting	949	397530	Guard—Debris
		(Plastic)			Parts)	952	222495	Spacer—Air Cleaner
		Used on Type Nos.	727	395405	Cover—Starter	953	222022	Screen—Air Cleaner
		0168, 0170, 0172.			(Includes Mounting	954	223379	Bracket—Mounting
537	270539	Gasket—Air Cleaner			Screws)	985	398525	Insulator Assembly
549	270978	Washer—Air Cleaner	728	93535	Screw—Sem	987	398970	Seal—Throttle Shaft
552	231055	Bushing—Gov. Crank	741	261195	Gear—Timing			(Used after Code Date
		(1/4" I.D.)	757	212359	Link—Counterweight			86071600.)
562	92613	Bolt—Governor Lever	758	390172	Counterweight Assy.	994	399541	Arrester—Spark
592	231082	Nut—Hex., 10-24	759	298909	Pin—Counterweight	1016	490817	Spacer
601	93053	Clamp—Fuel Pipe	761	93874	Screw—Counterweight	1019	491185	Decal Kit
608	390391	Starter Assy.—Rewind	763	391604	Electric Starter Kit—	1020	261190	Eccentric
613	94042	Screw—Muffler			12 volt (Gear Drive)			(Used after Code Date
613A	94054	Screw—Muffler	781	280068	Cap—Starter Pulley			85020100.)
614	93306	Cotter—Hair Pin	800	222095	Retainer	1021	94160	Pin—Eccentric
615	93307	Retainer—E-Ring	836	93559	Screw—Sem			(Used before Code Date
618	261116	Spring—Choke Return	842	270920	Seal—Filler Cap			85020100.)
621	396847	Switch—Stop	847	392066	Filler Group—Oil			
		(Used after Code Date	851	221798	Terminal—Ignition			
		85041400.)			Cable			
	Note:	297472 Switch—Stop	861	394462	Pump Repair Kit			
		(Used before Code Date			(Walbro)			
		85041500.)	869	211661	Seat—Intake Valve			
634	270382	Washer—Choke Shaft			(Standard)			
634A	271013	Washer—Throttle Shaft	870	210940	Seat—Exhaust Valve			
		(Foam)			(Standard)			
		(Used before Code Date	871	261961	Guide—Exhaust Valve			
		86071700.)			Note:			
635	66538	Elbow—Spark Plug			231218 Guide—Intake			
643	222149	Cup—Air Cleaner			Valve (Brass)			
655	222598	Anchor—Spring	872	397981	See Repair Manual.			
657	93496	Screw—Sem	873	397972	Cover—Air Cleaner			
662	222027	Bracket—Carburetor			Gasket—Air Cleaner			
663	93572	Screw			Cover			
670	22963	Spacer—Fuel Tank	874	222898	Plate—Air Cleaner			
	Note:	22776 Washer—			Cartridge			
		Tank Bracket	875	397320	Body—Air Cleaner			
		Used on Type Nos.	877	393456	Diode and Connector			
		0169, 0173.			Assy. (Dual Circuit)			
676	393757	Deflector—Exhaust	877A	393814	Diode and Connector			
	Note:	393761 Deflector—			Assy. (D. C.)			
		Exhaust	877B	393537	Diode and Connector			
		Used on Type No.			Assy. (Tri-Circuit)			
		0161.	878	393362	Alternator Harness			
676A	395700	Deflector—Exhaust			Assy. (Dual Circuit)			
		(Direct Outlet)	878A	393422	Alternator Harness			
676B	393758	Deflector—Exhaust			Assy. (D.C.)			
683	93572	Screw	883	270918	Gasket—Exhaust Pipe			

