

**193700 to 193799**

# **Illustrated Parts List**

## **Industrial/Commercial**

### **Model Series**

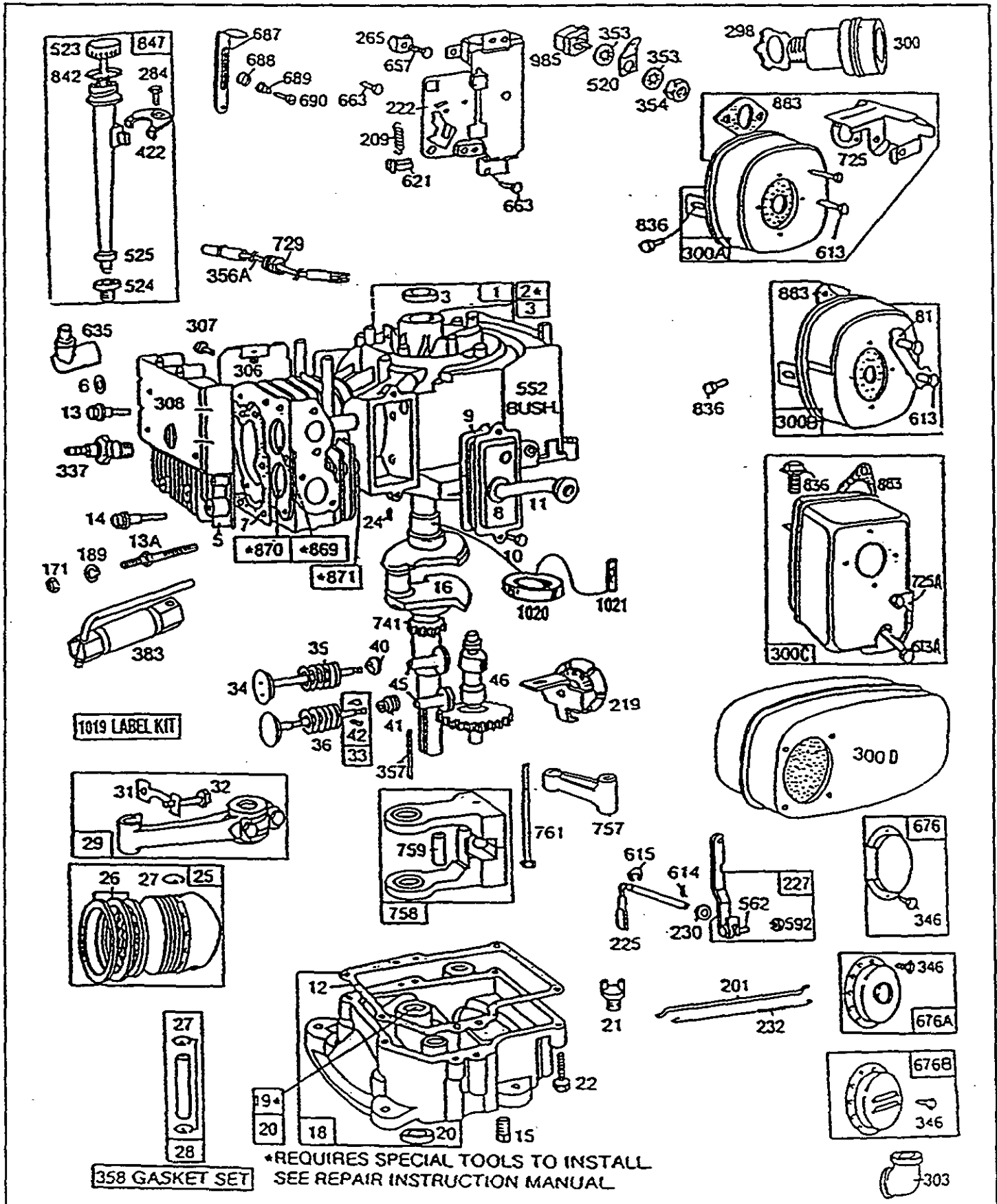
## **193700 to 193799**

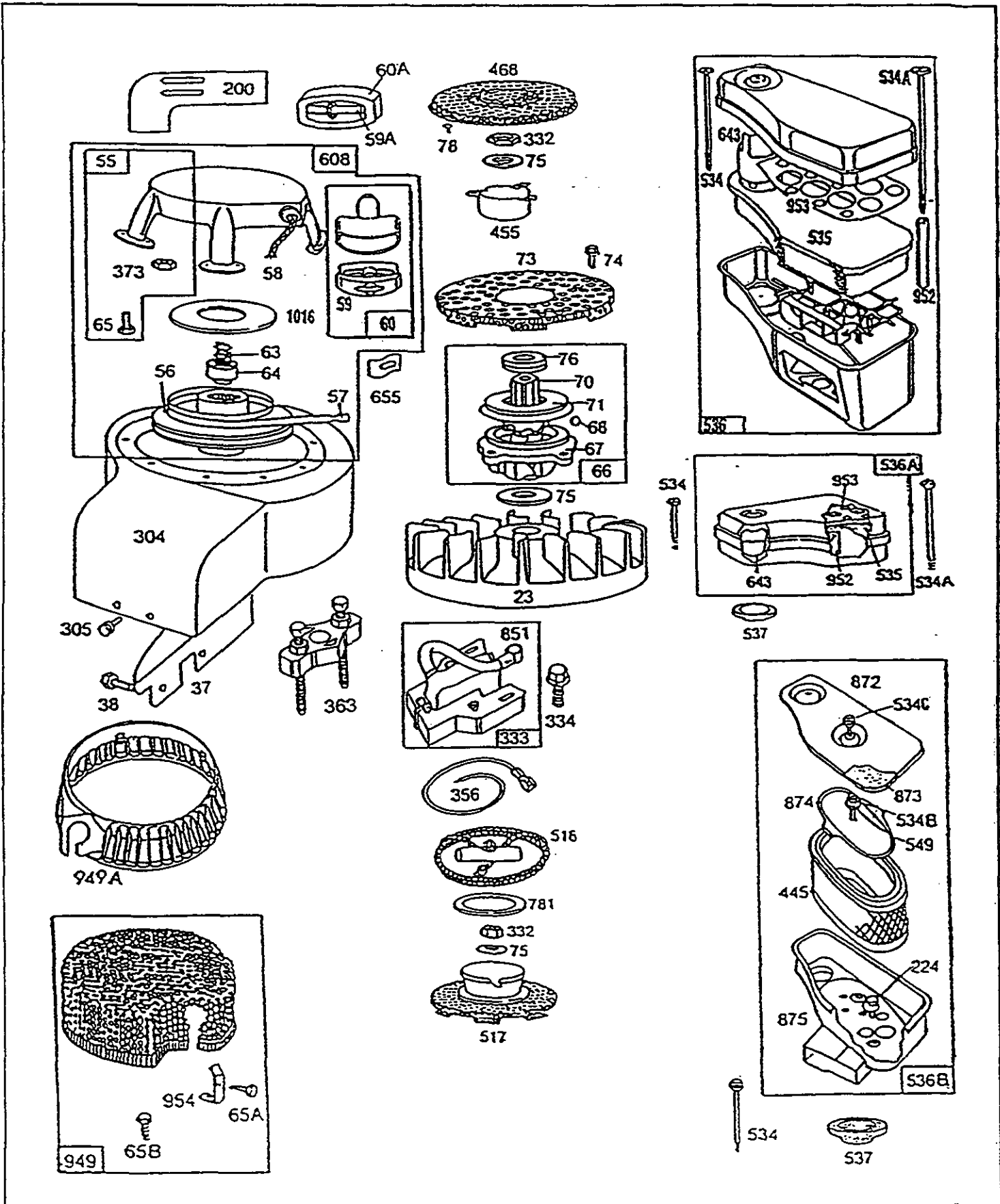
**TYPE NUMBERS**  
0215, 0216, 0217,  
0225, 0227,  
0300, 0301, 0302,  
0305 through 0374,  
4001 through 4007,  
4009, 4010, 4011,  
4012, 4015, 4016,  
4025, 4027, 4028.

**TO FIND**  
**THE CORRECT NUMBER OF THE PART YOU NEED:**  
**FOLLOW THE INSTRUCTIONS BELOW**

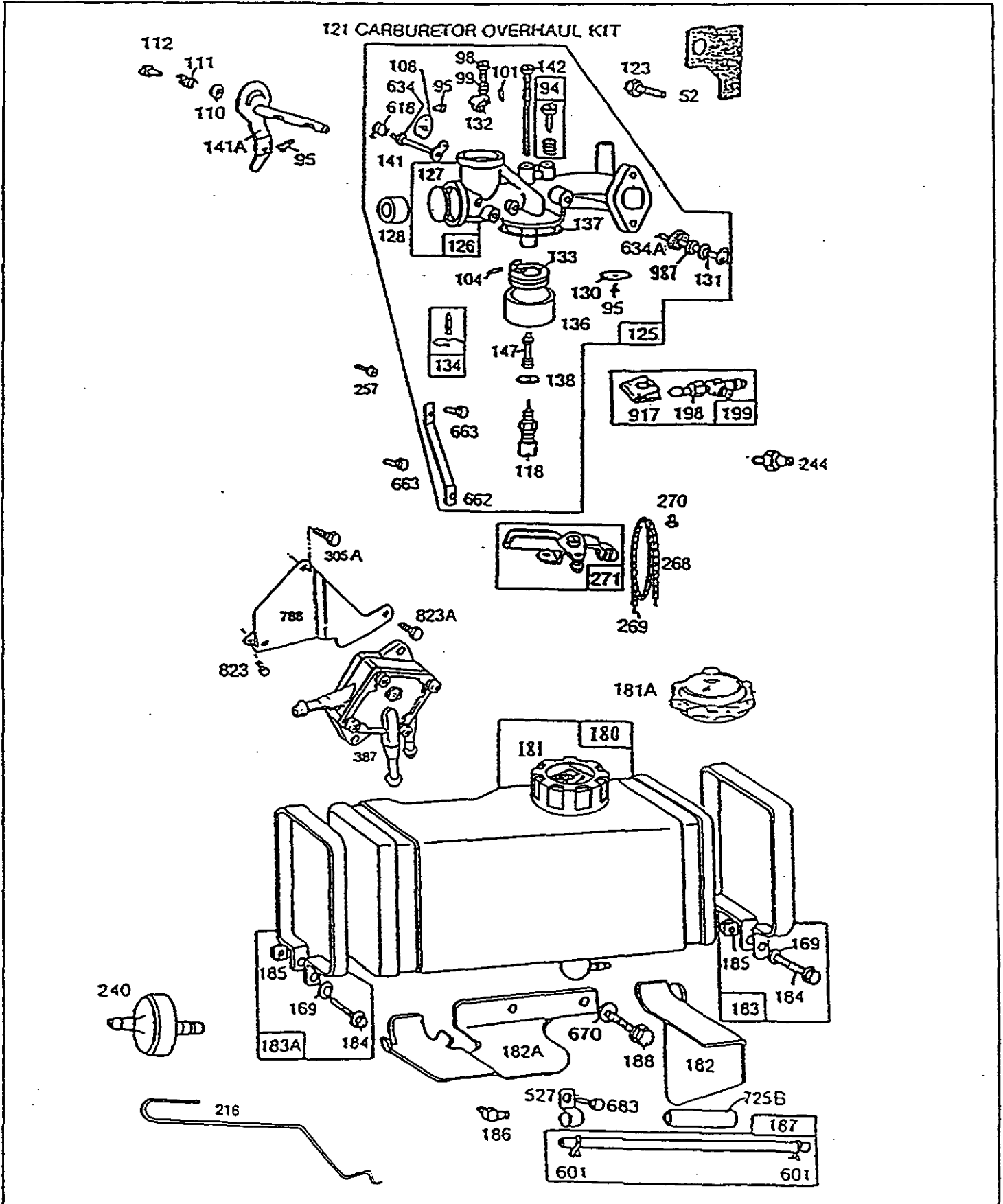
- A. Refer to Engine Model, Type and Code Number that is stamped on the blower housing of engine. Engine type numbers such as 0123 01 are listed only as 0123 in most instances. The two digits (01 or 02, etc.) to the right of the space may be required for more accurate parts identification in some instances. Select the Illustrated Parts List covering the correct Model Series and Type Number.
- B. Refer to the Illustrations and compare the original part with Illustration. The number next to the illustration is the Reference Number. Assemblies include all parts shown in frames. All parts shown in assembly frames having individual reference numbers can be purchased separately.
- C. After the Reference Number has been identified, refer to the Numerical text, where Reference and Primary Part Number are listed. **THE PRIMARY PART IS USED ON ALL TYPE NUMBERS EXCEPT THOSE TYPE NUMBERS UNDER "NOTE."**
- D. If a "Note" appears below the Primary Part Number, it means that this part differs from the Primary Part for certain types. If your Type number is listed under "Note," order the part referred to at the "Note."
- E. If your Engine Type Number does not appear after any part number listed under "Note," use the Primary Part Number.
- F. For Engine Type Numbers not covered by this book, check other Parts Lists having the same engine model or contact your source of supply.


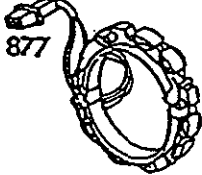
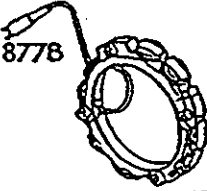
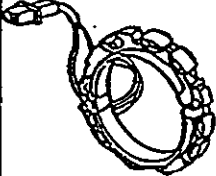





# 193700 to 193799





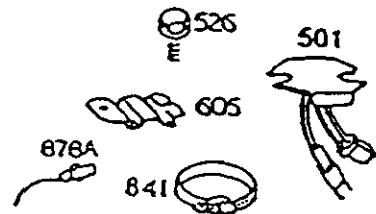
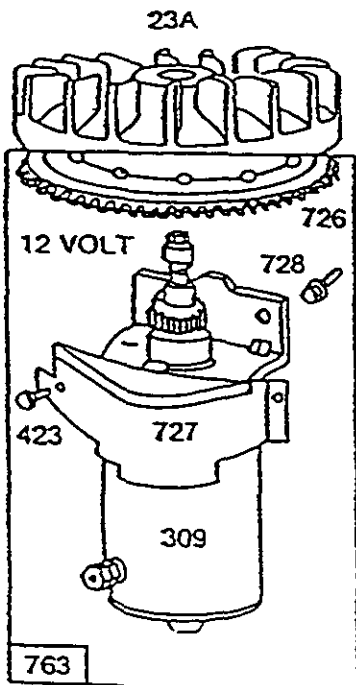
# 193700 to 193799



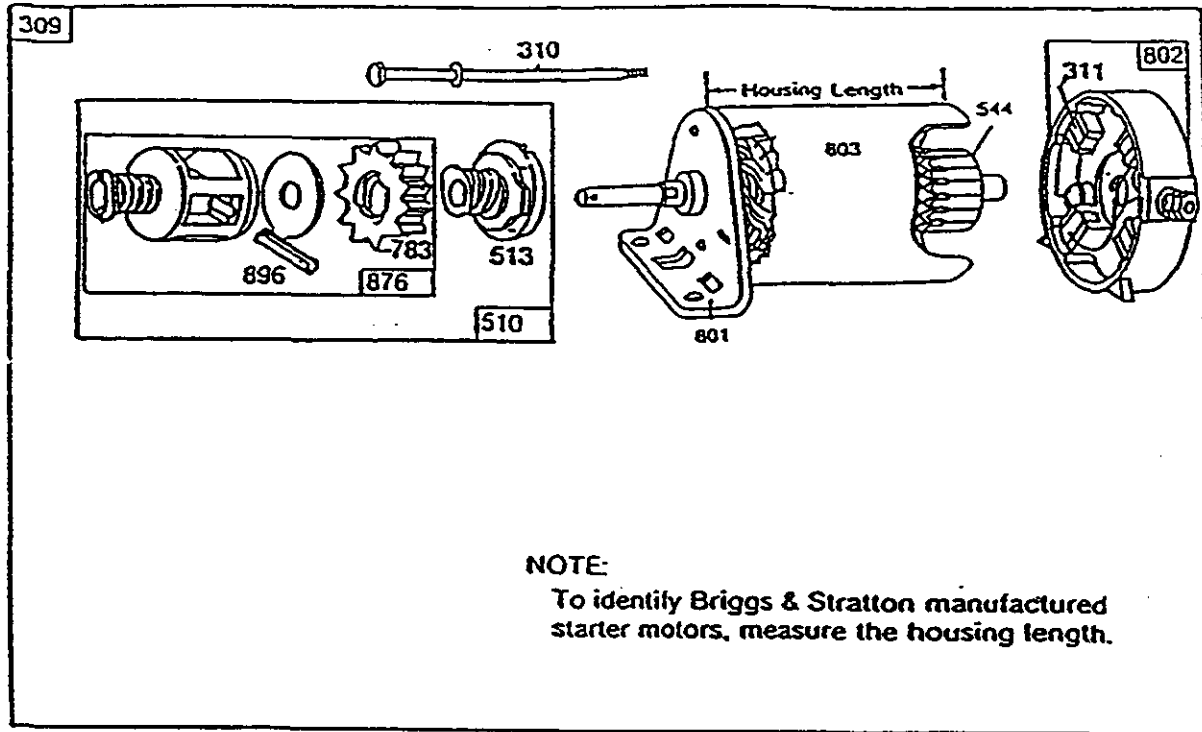
| DC ONLY   | DUAL CIRCUIT   | TRI-CIRCUIT  | 10 AMP  |
|---|--|--|---|
| 23  | 23   | 23   | 23  |
| 887<br>  | 474<br> | 474R<br>877B<br> | 474B<br> |
| 878A<br> | 878<br> | 814<br>          | 878A<br> |
|   |  |  | 501<br> |



NOTE; All stators use No. 482 Mtg. Screw.



# 193700 to 193799



| Reference Number    |                | 309                    | 310                | 311            | 510            | 544               | 601                    | 602                       | 803              |
|---------------------|----------------|------------------------|--------------------|----------------|----------------|-------------------|------------------------|---------------------------|------------------|
| Manufacturer        |                | Motor and Drive Ass'y. | Thru Bolt Assembly | Brush Assembly | Drive Assembly | Armature Assembly | Drive End Cap Assembly | End Cap Ass'y. Commutator | Housing Assembly |
| Briggs & Stratton   | Housing Length |                        |                    |                |                |                   |                        |                           |                  |
| 12V                 | 3-21/32"       | 394805                 | 94003              | 395538         | 490421**       | 390837            | 394856                 | 395537*                   | 398159           |
| United Technologies |                |                        |                    |                |                |                   |                        |                           |                  |
| 12V                 | 3-15/32"       | 394805                 | -                  | 492020         | 490421**       | -                 | 394856                 | 492021*                   | -                |

\*Includes Brush Set

\*\*Includes #398003 Clutch Assembly (Ref. No. 513)  
 #280104 Gear (Ref. No. 783)  
 #490467 Retainer and Pin (Ref. No. 876)  
 # 94194(Black) or 94288(Yellow) Roll Pin (Ref. No. 896)

# 193700 to 193799

| REF. NO. | PART NO. | DESCRIPTION  | REF. NO.                 | PART NO.     | DESCRIPTION   | REF. NO.        | PART NO. | DESCRIPTION  |
|----------|----------|--|--------------------------|--------------|---|-----------------|----------|--|
| 1        | 397240   | Cylinder Assembly  | 19                       | 295963       | Bushing-Engine Base   | 28              | 295840   | Pin Assy.-Piston (Standard)  |
| 2        | 399267   | Bushing-Cylinder   |                          | <b>Note:</b> | Requires Special Tools For Installation.  |                 | 295841   | Pin Assembly-Piston (.005" O.S.)   |
|          |          | <b>Note:</b> Requires Special Tools For Installation.                              | 20                       | *391086      | Seal-Oil  | 29              | 390402   | Rod Assy.-Connecting   |
| 3        | *294606  | Seal-Oil   | 21                       | 66768        | Plug-Oil Filler   |                 |          | <b>Note:</b> For Connecting Rod With .020" Undersize Crankpin Bore-Order No. 390773.                         |
| 5        | 212286   | Head-Cylinder  | 22                       | 93585        | Screw-Base Mounting   | 31              | 222114   | Lock-Connecting Rod Screw  |
| 6        | 22963    | Washer   | 23                       | 298260       | Flywheel-Magneto  | 32              | 92659    | Screw-Connecting Rod   |
| 7        | *270430  | Gasket-Cylinder Head   | 23A                      | 391983       | Flywheel and Ring Gear Assy.-Magneto For Use on Engines WITH ALTERNATOR. (Includes Aluminum Ring Gear.) | 33              | 390420   | Valve-Exhaust  |
| 8        | 391406   | Breather Assembly  |                          | <b>Note:</b> | 392028 Flywheel-Magneto For Use on Engines WITH ALTERNATOR. (Includes Aluminum Ring Gear.)              | 34              | 261055   | Valve-Intake   |
|          |          | <b>Note:</b> 299848 Breather Assy. Used on Type Nos. 0324, 0361.                   |                          |              |   | 35              | 65906    | Spring-Intake Valve  |
|          |          | 394217 Breather Assy. Used on Type Nos. 0305, 0352.                                |                          |              |   | 36              | 26828    | Spring-Exhaust Valve   |
| 9        | *27803   | Gasket-Valve Cover   |                          |              |   | 37              | 222475   | Guard-Flywheel   |
| 10       | 94621    | Screw-Sem  |                          |              |   |                 |          | <b>Note:</b> 222402 Guard-Flywheel Used on Type Nos. 0359, 0363.   |
| 11       | 280005   | Tube-Breather  |                          |              |   | 38              | 93777    | Screw-Sem  |
| 12       | *271701  | Gasket-Crankcase Cover (1/64" Thick)   |                          |              |   | 40              | 221596   | Retainer-Intake Valve  |
|          | *27876   | Gasket-Crankcase Cover (.005" Thick)   |                          |              |   | 41              | 292260   | Rotocoil-Exhaust Valve   |
|          | *27877   | Gasket-Crankcase Cover (.009" Thick)   |                          |              |   | 42              | 93630    | Retainer-Exhaust Valve Rotocoil (2)  |
| 13       | 93211    | Screw-Cylinder Head (2-21/32" Long)  |                          |              |   | 45              | 260933   | Tappet-Valve   |
| 13A      | 93776    | Stud-Cylinder Head   | 24                       | 222698       | Key-Flywheel  | 46              | 211689   | Gear-Cam   |
| 14       | 93723    | Screw-Cylinder Head (3" Long) 1 Req'd.   | 25                       | 393868       | Piston Assy. (Std.)   | 52              | *270824  | Gasket-Carburetor Mounting   |
|          |          | <b>Note:</b> 93781 Stud-Cylinder Head  |                          | 393869       | Piston Assembly (.010" O.S.)  |                 |          | <b>Note:</b> 270538 Gasket-Carburetor Mounting Used on Type Nos. 0324, 0361.                                 |
|          |          | 22963 Washer Used on Type Nos. 0306, 0313, 4007, 4012.                             |                          | 393879       | Piston Assembly (.020" O.S.)  | 55              | 393576   | Housing-Rewind Starter   |
| 15       | 91084    | Plug-Oil Drain   |                          | 393880       | Piston Assembly (.030" O.S.)  | 56              | 295871   | Pulley-Rewind Starter  |
|          |          | <b>Note:</b> 94613 Plug-Oil Drain (Hex. Socket)                                    | <b>PISTON RING SETS:</b> |              |   |                 |          | <b>Note:</b> Includes 63" Rope; if Longer Rope is Required, Order Rope No. 66894 and Cut to Required Length. |
| 16       | 396876   | Crankshaft   |                          |              |   | 57              | 490179   | Spring-Rewind Starter  |
|          |          | <b>Note:</b> Order 94388 Key or 230978 Pin For Loose Timing Gear Retaining Device. |                          |              |   | 58              | 66884    | Rope-Rewind Starter (63" Long)   |
|          |          | 396877 Crankshaft Used on Type Nos. 0217, 0320, 0321, 4011, 4027.                  | 26                       | 393881       | Ring Set-Piston (Std.)  |                 |          | If Longer Rope is Needed, Order No. 66894 and Cut to Required Length.  |
| 18       | 392548   | Base-Engine  |                          | 393882       | Ring Set-Piston (.010" O.S.)  | 59              | 496653   | Insert-Starter Handle  |
|          |          | <b>Note:</b> 397305 Base-Engine Used on Type Nos. 0330, 0331, 4002.                |                          | 393883       | Ring Set-Piston (.020" O.S.)  |                 |          |  |
|          |          |  |                          | 393884       | Ring Set-Piston (.030" O.S.)  |                 |          |  |
|          |          |  |                          | 27           | 68546   | Lock-Piston Pin |          |  |

\* Included in Gasket Set-Part No. 299577.

● Included in Carburetor Overhaul Kit-Part No. 394698.

# 193700 to 193799

| REF. NO. | PART NO. | DESCRIPTION   | REF. NO. | PART NO. | DESCRIPTION  | REF. NO. | PART NO. | DESCRIPTION  |
|----------|----------|---|----------|----------|--|----------|----------|--|
| 59A      | 230228   | Pin-Starter Grip  | 125      | 491590   | Carburetor Assembly<br>(Choke-A-Matic®)  | 181A     | 397975   | Cap-Fuel Tank  |
| 60       | 490652   | Handle-Rewind Starter   |          |          |  |          |          | <b>Note:</b> 392300 Cap-Fuel Tank<br>Used on Type No.<br>0324.   |
| 60A      | 66728    | Grip-Starter Rope   |          |          | <b>Note:</b> 491589 Carburetor<br>Assembly<br>(Choke-A-Matic®)<br>(For Impulse Pump)<br>Used on Type Nos.<br>0305, 0352.                                 | 182      | 222813   | Bracket-Fuel Tank<br>(R.H.)  |
| 63       | 260414   | Spring-Ratchet  |          |          | 491591 Carburetor<br>Assembly<br>(Manual Choke)<br>Used on Type Nos.<br>0216, 0300, 0301,<br>0302, 0309, 0312,<br>0316, 0322, 0325,<br>0334, 0347, 4004. | 182A     | 222979   | Bracket-Fuel Tank<br>(L.H.)  |
| 64       | 230543   | Adapter-Ratchet Spring  |          |          |  |          |          | <b>Note:</b> 223157 Support-<br>Fuel Tank<br>93640 Screw<br>90832 Lockwasher<br>Used in Addition to<br>222979 Bracket-Fuel<br>Tank<br>Used on Type Nos.<br>0330, 0331. |
| 65       | 94128    | Screw-Rewind Starter<br>Housing Mtg.  | 126      | 299851   | Body Assembly-<br>Carburetor   | 183      | 390406   | Strap Assy.-<br>Fuel Tank (R.H.)   |
| 65A      | 94018    | Screw-Hex.<br>Washer Head   |          |          | <b>Note:</b> 394041 Body Assy.-<br>Carburetor<br>Used on Type Nos.<br>0305, 0352.  | 183A     | 390405   | Strap Assy.-<br>Fuel Tank (L.H.)   |
| 65B      | 93067    | Screw-Hex. Head   |          |          |  | 184      | 93803    | Screw-Hex. Hd.   |
| 66       | 399671   | Clutch Assembly-<br>Rewind Starter  | 127      | ●221997  | Plug-Welch   | 185      | 90970    | Nut-Square   |
| 67       | 394897   | Housing-Rewind<br>Starter Clutch  | 128      | 211682   | Venturi-Carburetor   | 186      | 67218    | Connector-Fuel Pipe  |
| 68       | 63770    | Ball-Clutch   | 130      | 221986   | Valve-Throttle   | 187      | 296004   | Line-Fuel<br>(23" Long, Cut to<br>Required Length)   |
| 70       | 298799   | Ratchet-Rewind<br>Starter Clutch  | 131      | 491006   | Shaft and Lever-<br>Throttle   |          |          | <b>Note:</b> 393815 Line-Fuel<br>(11" Long, Cut to<br>Required Length)   |
| 71       | 394506   | Washer-Clutch<br>Retainer   | 132      | 211712   | Stop-Throttle  | 188      | 93634    | Screw-Hex. Head<br>(Used on Engines with<br>Rewind Start Only).  |
| 73       | 221796   | Screen-Rewind Starter   | 133      | 299707   | Float-Carburetor   |          |          | <b>Note:</b> 93535 Screw-Sem<br>(Used on Engines with<br>Electric Start).  |
| 74       | 93758    | Screw-Sem   | 134      | ●394681  | Valve-Fuel Inlet   |          |          |  |
| 75       | 224061   | Washer-Spring   |          |          | <b>Note:</b> 394683 Valve-Fuel Inlet<br>(Includes Brass Seat,<br>For Impulse Pump.)  |          |          |  |
| 76       | 68238    | Washer-Ratchet<br>Sealing   | 136      | 221995   | Bowl-Float   | 189      | 90366    | Washer-Lock  |
| 78       | 93805    | Screw-Sem   | 137      | ●270511  | Gasket-Float Bowl  | 198      | 293934   | Valve-Fuel Shut-Off  |
| 81       | 222263   | Lock-Screw  | 138      | ●222014  | Washer-Float Bowl  | 199      | 399949   | Connector-Fuel Pipe  |
| 94       | ●292681  | Valve Assembly-<br>Carburetor Idle  | 141      | 390684   | Shaft and Lever-Choke  |          |          | <b>Note:</b> 295896 Outlet Assy.-<br>Fuel<br>Used on Type No.<br>0324.   |
| 95       | 93499    | Screw-Throttle and<br>Choke Valve Mtg.  | 141A     | 299647   | Shaft and Lever-<br>Manual Choke   | 200      | 221760   | Guide-Air  |
| 98       | 91920    | Screw-Machine,<br>Fill. Hd.   | 142      | ●299740  | Nozzle-Carburetor  | 201      | 262431   | Link-Governor  |
| 99       | 26157    | Spring-Throttle<br>Adjustment   | 147      | ●231323  | Screw-Nozzle   |          |          |  |
| 101      | 93043    | Pin-Throttle Stop   | 169      | 90832    | Washer-Lock  |          |          |  |
| 104      | ●230896  | Pin-Float Hinge   | 171      | 93203    | Nut-Hex.   |          |          |  |
| 108      | 222010   | Valve-Choke   | 180      | 390225   | Tank Assembly-Fuel<br>(3 Quart)  |          |          |  |
| 110      | 220899   | Washer-Choke Lever  | 181      | 493988   | Cap-Fuel Tank  |          |          |  |
| 111      | 26229    | Spring-Choke Lever  |          |          |  |          |          |  |
| 112      | 23270    | Screw-Choke Lever   |          |          |  |          |          |  |
| 118      | ●396568  | Valve-Needle<br><b>Includes:</b><br>22235 Washer-Brass<br>26336 Spring<br>65978 O-Ring<br>230590 Nut-Hex. |          |          |  |          |          |  |
| 121      | 394698   | Carburetor Overhaul Kit   |          |          |  |          |          |  |
| 123      | 93357    | Screw-Carburetor Mtg.   |          |          |  |          |          |  |

\* Included in Gasket Set-  
Part No. 299577.

● Included in Carburetor Overhaul Kit-  
Part No. 394698.



# 193700 to 193799

| REF. NO. | PART NO. | DESCRIPTION  | REF. NO. | PART NO. | DESCRIPTION  | REF. NO. | PART NO. | DESCRIPTION  |
|----------|----------|--|----------|----------|--|----------|----------|--|
| 209      | 260871   | Spring-Governor<br><b>Note:</b> 261126 Spring-Gov. Used on Type Nos. 0318, 0319, 0329, 0337, 0344, 0356, 0358, 0359, 0362, 0364, 0366, 0370, 4009, 4028.<br>261306 Spring-Gov. Used on Type Nos. 0216, 0308, 0317, 0332, 0347, 0348, 0352, 4016. | 269      | 26633    | Wire-Control (78" Long)<br><b>Note:</b> If Longer Wire is Required, Specify Length in Inches; if Shorter Wire is Needed, Order No. 26633 and Cut to Required Length.   | 305      | 93158    | Screw-Blower Housing Mounting  |
| 216      | 261612   | Link-Choke   | 270      | 63426    | Locknut-Control Wire Casing  | 305A     | 94513    | Screw-Hex. Head  |
| 219      | 491397   | Oil Slinger, Gov. Gear and Bracket Assembly  | 271      | 290568   | Lever Assy.- Control   | 306      | 222830   | Shield-Cylinder<br><b>Note:</b> 224543 Shield-Cylinder Used on Type No. 0312.  |
| 222      | 491594   | Plate-Gov. Control (Choke-A-Matic®)<br><b>Note:</b> 491593 Plate-Gov. Control (Manual Choke) Used on Type Nos. 0216, 0300, 0301, 0302, 0309, 0312, 0316, 0322, 0325, 0326, 0334, 0347, 0352, 4002, 4003, 4004.                                   | 284      | 94419    | Screw-Clamp Mtg.   | 307      | 93949    | Screw-Cylinder Shield Mounting   |
|          |          |  | 298      | 261409   | Locknut-Muffler  | 308      | 222636   | Cover-Cylinder Head  |
|          |          |  | 300      | 393010   | Muffler-Exhaust (Round Lo-Tone)  | 309      |          | Motor-Starting (12 Volt)<br><b>See Chart for Replacement Parts for Starting Motors on Illustrated Pages.</b>   |
|          |          |  | 300A     | 398507   | Muffler-Exhaust  | 332      | 92284    | Nut-Flywheel   |
|          |          |  | 300B     | 391313   | Muffler-Exhaust  | 333      | 398811   | Armature Assembly  |
|          |          |  | 300C     | 399355   | Muffler-Exhaust  | 334      | 93381    | Screw-Armature Mounting  |
|          |          |  | 300D     | 493963   | Muffler-Exhaust  | 337      | 492167   | Plug-Spark (1-7/8" High, 48 mm)<br><b>Note:</b> 293918 Plug-Spark (Resistor Type) (1-1/2" High, 38 mm)<br>298809 Plug-Spark (1-1/2" High, 38 mm)<br>802592 Plug-Spark (Resistor Type) (1-7/8" High, 48 mm) |
|          |          |  | 303      | 91205    | Elbow-Muffler-90°<br><b>Note:</b> 94089 Elbow-Muffler-45° Used on Type No. 0322.   | 346      | 93705    | Screw-Sem  |
|          |          |  | 304      | 491407   | Housing-Blower<br><b>Note:</b> 491408 Housing-Blower Used on Type Nos. 0225, 0227, 0302, 0305, 0306, 0307, 0310, 3011, 0312, 0313, 0314, 0315, 0316, 0319, 0321, 0328, 0331, 0335, 0337, 0343, 0344, 0348, 0349, 0351, 0352, 0353, 0356, 0357, 0359, 0364, 0365, 0366, 0367, 0369, 0370, 4007, 4009, 4010, 4012, 4025, 4027, 4028.<br>491595 Housing-Blower Used on Type No. 0324.<br>491596 Housing-Blower Used on Type No. 0361. | 353      | 92791    | Washer-Lock  |
| 224      | 94018    | Screw-Sem  |          |          |  | 354      | 90576    | Nut-Hex.   |
| 225      | 231058   | Crank-Governor   |          |          |  | 356      | 398808   | Wire-Ground  |
| 227      | 490927   | Lever Assy.- Governor  |          |          |  | 356A     | 494328   | Wire-Ground  |
| 230      | 222450   | Washer-Gov. Lever  |          |          |  | 357      | 91540    | Key-Pulley Mounting  |
| 232      | 261911   | Spring-Governor Link   |          |          |  | 358      | 299577   | Gasket Set   |
| 240      | 298090   | Filter-Fuel  |          |          |  | 363      | 19165    | Puller-Flywheel  |
| 244      | 230318   | Connector-Fuel Pipe  |          |          |  | 373      | 92987    | Nut-Hex.   |
| 257      | 93543    | Screw-Fil. Hd.   |          |          |  | 383      | 89838    | Wrench-Spark Plug  |
| 265      | 221535   | Clamp-Casing   |          |          |  | 387      | 491922   | Pump-Impulse   |
| 268      | 65616    | Casing-Control Wire (72" Long)<br><b>Note:</b> If Longer Casing is Required, Specify Length in Inches; if Shorter Casing is Needed, Order No. 65616 and Cut to Required Length.  |          |          |  | 422      | 223394   | Clamp-Oil Filler Tube  |
|          |          |  |          |          |  | 423      | 93984    | Screw-Sem  |
|          |          |  |          |          |  | 445      | 393406   | Cartridge-Air Cleaner  |
|          |          |  |          |          |  | 455      | 222561   | Cup-Screen Mounting  |
|          |          |  |          |          |  | 468      | 222562   | Screen-Flush Rotating  |
|          |          |  |          |          |  | 474      | 393474   | Stator-Alternator  |
|          |          |  |          |          |  | 474A     | 392595   | Stator-Alternator (Tri-Circuit)  |

\* Included in Gasket Set-Part No. 299577.

● Included in Carburetor Overhaul Kit-Part No. 394698.

# 193700 to 193799

| REF. NO. | PART NO. | DESCRIPTION                           | REF. NO. | PART NO.    | DESCRIPTION  | REF. NO. | PART NO. | DESCRIPTION  |
|----------|----------|---------------------------------------|----------|-------------|--|----------|----------|--|
| 474B     | 393295   | Stator-Alternator<br>(10 Amp)         | 670      | 22963       | Spacer-Fuel Tank<br>(4 Used on Engines<br>without Electric Starter)            | 823A     | 93559    | Screw-Mounting                                       |
| 482      | 93621    | Screw-Sem                             |          |             |  | 836      | 93559    | Screw-Sem  |
| 501      | 394890   | Regulator-Alternator<br>(10 Amp)      |          | Note: 22776 | Washer<br>(2 Used on Engines<br>with Electric Starter)                         | 841      | 393514   | Bracket-Regulator                                    |
| 517      | 295423   | Pulley-Rope Starter<br>(With Screen)  | 676      | 393757      | Deflector-Exhaust<br>Note: 393761  | 842      | *270920  | Seal-Filler Cap                                      |
| 518      | 69932    | Rope-Starter                          |          |             |  | 847      | 392066   | Filler Group-Oil                                     |
| 520      | 93722    | Terminal-Spade                        |          |             |  | 851      | 221798   | Terminal-Ignition Cable                              |
| 523      | 391840   | Cap and Dipstick-<br>Oil Filler       |          |             |  | 869      | 211661   | Seat-Intake Valve<br>(Standard)                      |
| 524      | *68838   | Seal-Filler Tube                      | 676A     | 395700      | Deflector-Exhaust<br>(Direct Outlet)<br>Used on Type Nos.<br>0305, 0366, 4028. | 870      | 210940   | Seat-Exhaust Valve<br>(Standard)                     |
| 525      | 280133   | Tube-Oil Filler                       | 676B     | 393758      | Deflector-Exhaust  | 871      | 261961   | Guide-Exhaust Valve<br>Note: 231218                  |
| 526      | 93343    | Screw-Regulator                       | 683      | 93572       | Screw  |          |          | Guide-Intake<br>Valve (Brass)<br>See Repair Manual.  |
| 527      | 221428   | Clamp (2)                             | 687      | 390690      | Slide-Friction Control   | 872      | 397981   | Cover-Air Cleaner                                    |
| 534      | 93622    | Screw-Air Cleaner                     | 688      | 221766      | Cap-Friction Spring  | 873      | 397972   | Gasket-Air Cleaner<br>Cover                          |
| 534A     | 93323    | Screw-Air Cleaner                     | 689      | 260847      | Spring-Friction  | 874      | 222898   | Plate-Air Cleaner<br>Cartridge                       |
| 534B     | 93881    | Screw-Air Cleaner                     | 690      | 90746       | Screw-Machine,<br>Fil. Hd.   | 875      | 397320   | Body-Air Cleaner                                     |
| 534C     | 93913    | Screw-Air Cleaner                     | 725      | 223540      | Shield-Muffler   | 877      | 393456   | Diode and Connector<br>Assy. (Dual Circuit)          |
| 535      | 270528   | Filter-Air Cleaner                    | 725A     | 223645      | Shield-Muffler   | 877A     | 393814   | Diode and Connector<br>Assy. (D. C.)                 |
| 536      | 391399   | Cleaner Assy.- Air<br>Uses:<br>280111 | 725B     | 222175      | Shield-Fuel Pipe, Heat   | 877B     | 393537   | Connector Assembly<br>(Tri-Circuit)                  |
| 536A     | 390379   | Cleaner Assy.-Air                     | 726      | 392134      | Gear-Ring<br>(Includes Mounting<br>Parts)                                      | 878      | 393362   | Alternator Harness<br>Assy. (Dual Circuit)           |
| 536B     | 393481   | Cleaner Assy.-Air                     | 727      | 395405      | Cover-Starter<br>(Includes Mounting<br>Screws)                                 | 878A     | 393422   | Alternator Harness<br>Assy. (D.C. or 10 Amp.)        |
| 537      | *270539  | Gasket-Air Cleaner                    | 728      | 93535       | Screw-Sem  | 883      | *270918  | Gasket-Exhaust Pipe                                  |
| 549      | 270978   | Washer-Air Cleaner                    | 729      | 281159      | Clip-Lead Wire   | 887      | 391529   | Stator Assembly-<br>Alternator (D. C.)               |
| 552      | 231055   | Bushing-Gov. Crank                    | 741      | 262479      | Gear-Timing<br>(For Key Retained<br>Gear)<br>Note: 261195                      | 917      | 223271   | Valve Handle-Fuel<br>Shut-Off                        |
| 562      | 92613    | Bolt-Governor Lever                   |          |             |  | 949      | 397530   | Guard-Debris<br>(For Rewind Starter)<br>Note: 398857 |
| 592      | 231082   | Nut-Hex.                              | 757      | 212359      | Link-Counterweight   |          |          | Guard-Debris<br>(For Electric Starter<br>Only)       |
| 601      | 93053    | Clamp-Fuel Pipe                       | 758      | 390172      | Counterweight Assy.  | 949A     | 280685   | Guard-Rewind Starter                                 |
| 605      | 222934   | Bracket-Regulator                     | 759      | 298909      | Pin-Counterweight  | 952      | 222495   | Spacer-Air Cleaner                                   |
| 608      | 390391   | Starter Assy.-Rewind                  | 761      | 93874       | Screw-Counterweight  | 953      | 222022   | Screen-Air Cleaner                                   |
| 613      | 94042    | Screw-Muffler                         | 763      | 394952      | Electric Starter Kit<br>(12 Volt Gear Drive)                                   | 985      | 398525   | Insulator Assembly                                   |
| 613A     | 94054    | Screw-Muffler                         | 781      | 280068      | Cap-Starter Pulley   | 987      | 398970   | Seal-Throttle Shaft                                  |
| 614      | 93306    | Cotter-Pin                            | 788      | 224431      | Bracket-Fuel Pump  | 1016     | 490817   | Spacer   |
| 615      | 93307    | Retainer-E-Ring                       | 814      | 392606      | Diode and Connector<br>Assembly-Alternator<br>(Tri-Circuit)                    | 1019     | 491185   | Label Kit  |
| 618      | 261116   | Spring-Choke Return                   | 823      | 93705       | Screw-Mounting   | 1020     | 261190   | Eccentric  |
| 621      | 396847   | Switch-Stop                           |          |             |  | 1021     | 94160    | Pin-Eccentric  |
| 634      | 270382   | Washer-Choke Shaft                    |          |             |  |          |          |  |
| 634A     | 271853   | Washer-Throttle Shaft                 |          |             |  |          |          |  |
| 635      | 66538    | Elbow-Spark Plug                      |          |             |  |          |          |  |
| 643      | 222149   | Cup-Air Cleaner                       |          |             |  |          |          |  |
| 655      | 222598   | Anchor-Spring                         |          |             |  |          |          |  |
| 657      | 93496    | Screw-Sem                             |          |             |  |          |          |  |
| 662      | 224440   | Bracket-Carburetor                    |          |             |  |          |          |  |
| 663      | 93572    | Screw                                 |          |             |  |          |          |  |

\* Included in Gasket Set-  
Part No. 299577.

• Included in Carburetor Overhaul Kit-  
Part No. 394698.

