

194400 to 194499

Illustrated Parts List

Model Series

194400 to 194499

TYPE NUMBERS
0100,
0106 through 0111
0114,
0117 through 0125

TO FIND THE CORRECT NUMBER OF THE PART YOU NEED: FOLLOW THE INSTRUCTIONS BELOW

- A. Refer to Engine Model, Type and Code Number that is stamped on the blower housing of engine. Engine type numbers such as 0123 01 are listed only as 0123 in most instances. The two digits (01 or 02, etc.) to the right of the space may be required for more accurate parts identification in some instances. Select the Illustrated Parts List covering the correct Model Series and Type Number.
- B. Refer to the illustrations and compare the original part with illustration. The number next to the illustration is the Reference Number. Assemblies include all parts shown in frames. All parts shown in assembly frames having individual reference numbers can be purchased separately.
- C. After the Reference Number has been identified, refer to the Numerical text, where Reference and Primary Part Number are listed. **THE PRIMARY PART IS USED ON ALL TYPE NUMBERS EXCEPT THOSE TYPE NUMBERS UNDER "NOTE."**
- D. If a "Note" appears below the Primary Part Number, it means that this part differs from the Primary Part for certain types. If your Type number is listed under "Note," order the part referred to at the "Note."
- E. If your Engine Type Number does not appear after any part number listed under "Note," use the Primary Part Number.
- F. For Engine Type Numbers not covered by this book, check other Parts Lists having the same engine model or contact your source of supply.

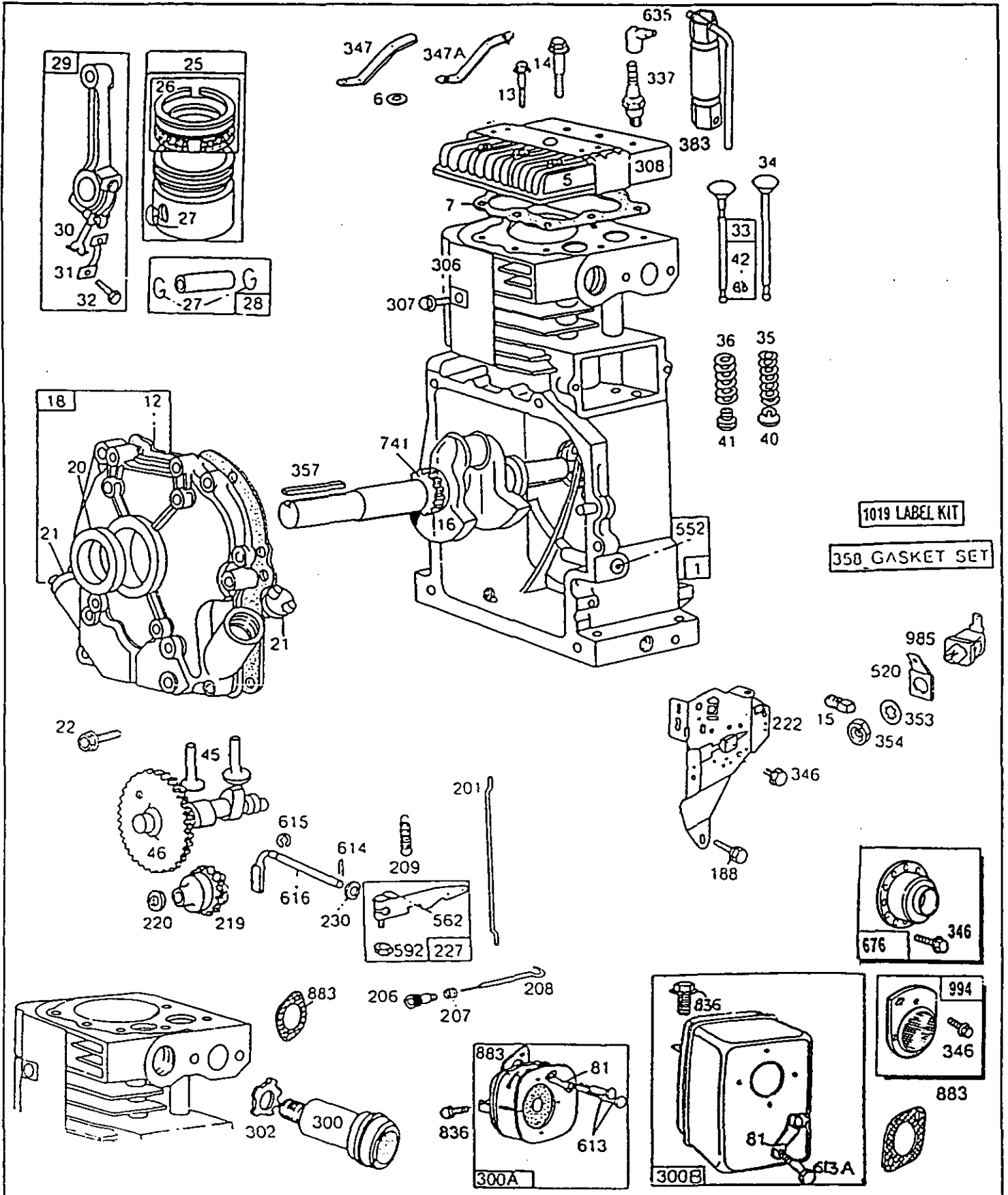
PRINTED IN U.S.A.

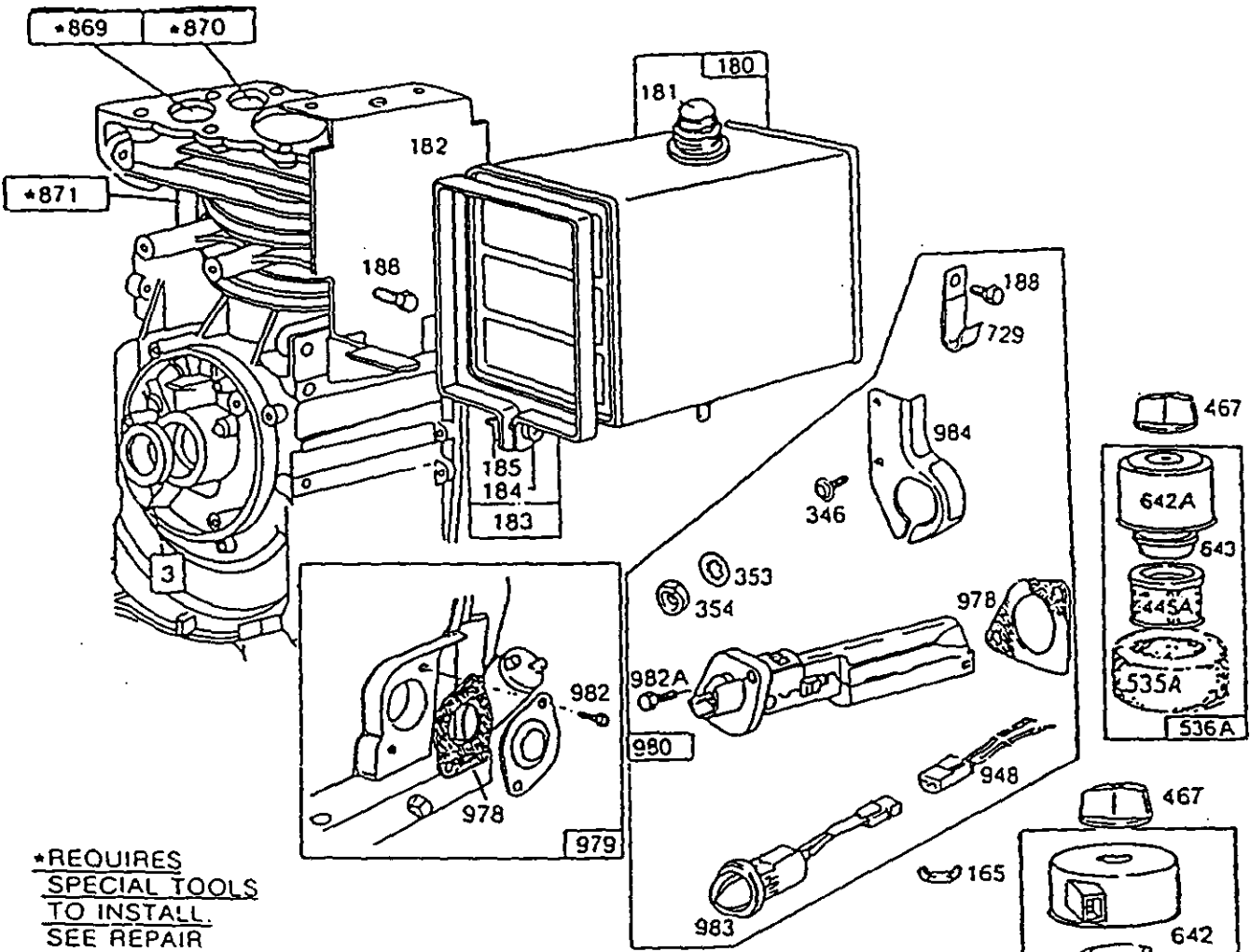
COPYRIGHT©

BRIGGS & STRATTON

®

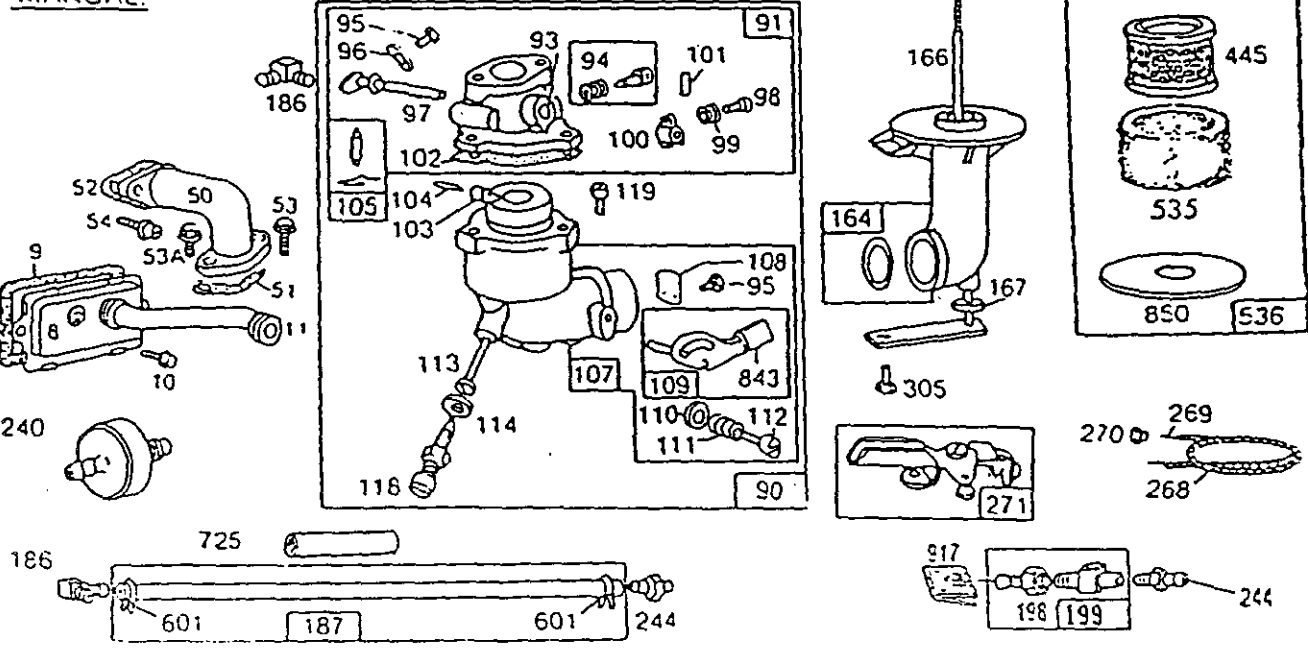
194400 to 194499



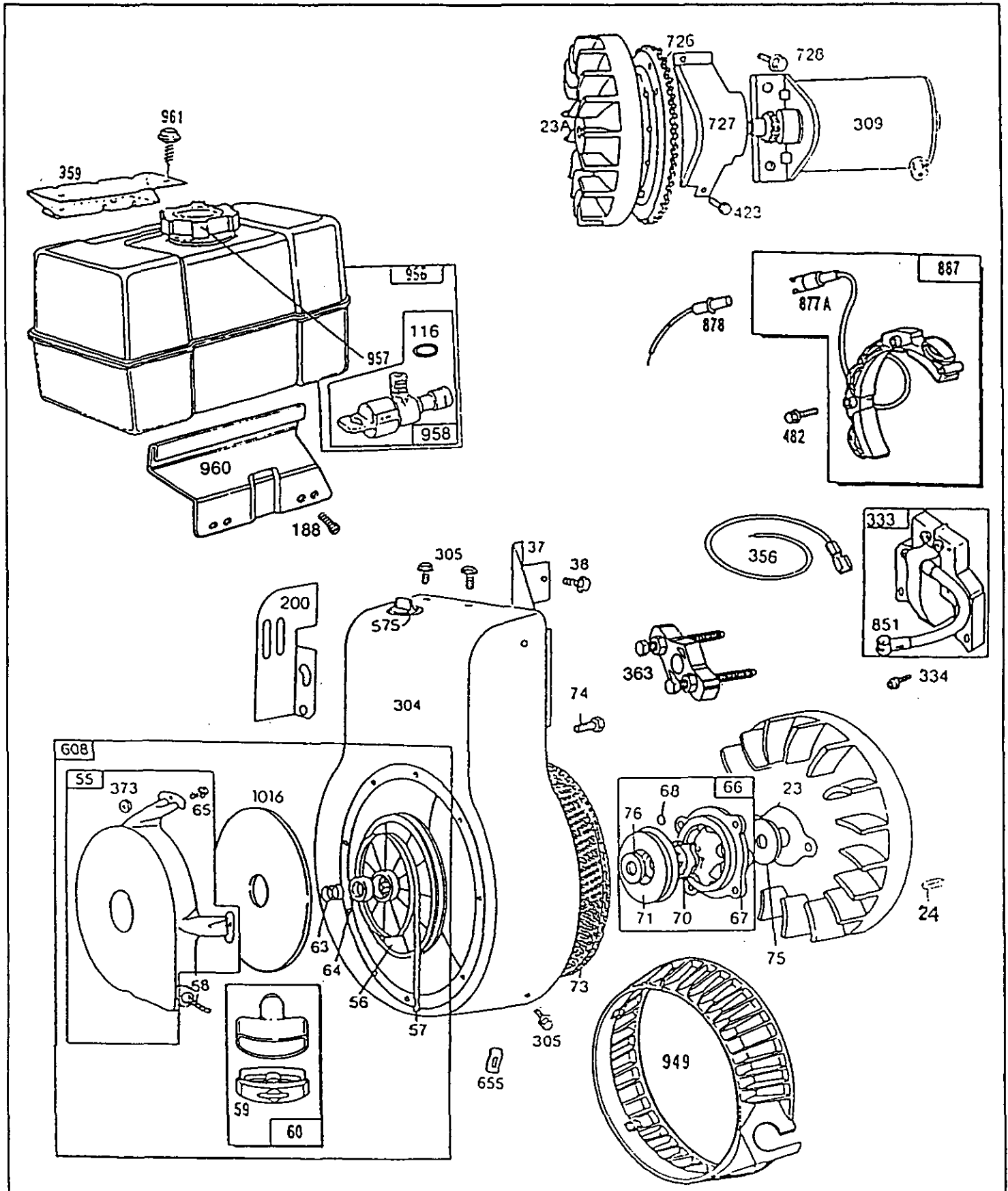


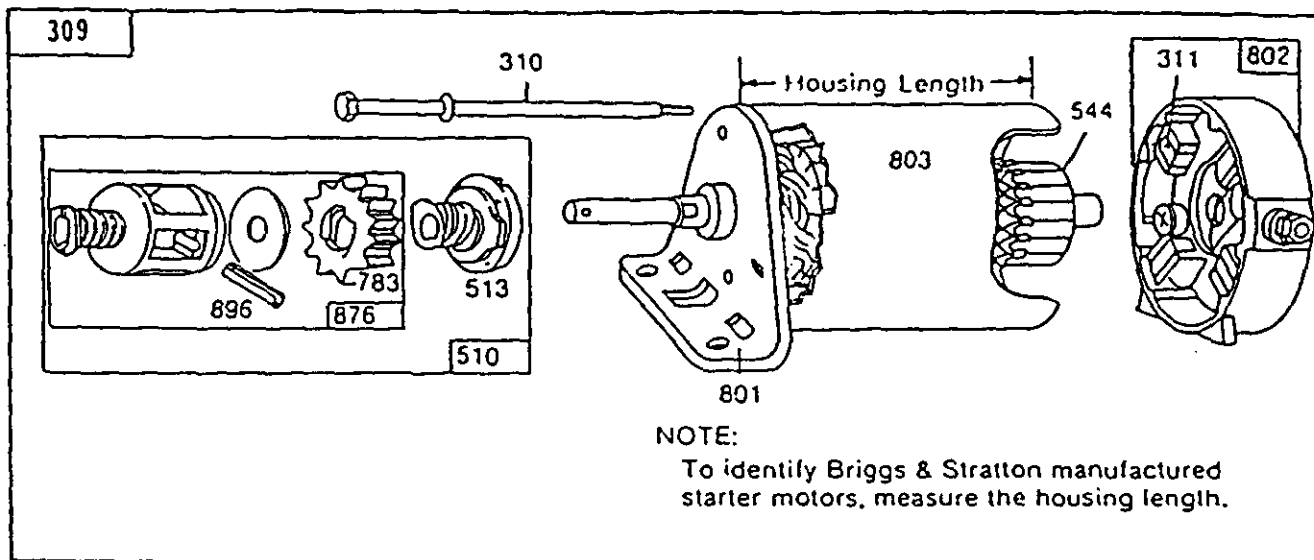
*REQUIRES SPECIAL TOOLS TO INSTALL. SEE REPAIR INSTRUCTION MANUAL.

121 CARBURETOR OVERHAUL KIT



194400 to 194499





| Reference Number | 309 | 310 | 311 | 510 | 544 | 801 | 802 | 803 |
|-------------------|------------------------|--------------------|----------------|----------------|-------------------|------------------------|---------------------------|------------------|
| Manufacturer | Motor and Drive Ass'y. | Thru Bolt Assembly | Brush Assembly | Drive Assembly | Armature Assembly | Drive End Cap Assembly | End Cap Ass'y. Commutator | Housing Assembly |
| Briggs & Stratton | | | | | | | | |
| Housing Length | | | | | | | | |
| 12V | 3-21/32" | 394805 | 94003 | 395538 | 490421** | 390837 | 394856 | 395537* |
| | | | | | | | | 398159 |

*Includes Brush Set

- **Includes
- #398003 Clutch Assembly (Ref. No. 513)
 - #280104 Gear (Ref. No. 783)
 - #490467 Retainer and Pin (Ref. No. 876)
 - # 94288 Roll Pin (Ref. No. 896)

194400 to 194499

| REF. NO. | PART NO. | DESCRIPTION | REF. NO. | PART NO. | DESCRIPTION | REF. NO. | PART NO. | DESCRIPTION |
|----------|----------|---|----------|----------|--|----------|----------|---|
| 1 | 494020 | Cylinder Assembly | 34 | 222698 | Key-Flywheel | 51 | *270684 | Gasket-Carb. Mtg. |
| 3 | *294606 | Seal-Oil | 25 | 393868 | Piston Assembly- (Standard) | 52 | *27828 | Gasket-Intake Elbow Mounting |
| 5 | 212286 | Head-Cylinder | | 393869 | Piston Assembly (.010" O.S.) | 53 | 93956 | Screw-Shoulder |
| 6 | 22963 | Washer | | 393879 | Piston Assembly (.020" O.S.) | 53A | 93357 | Screw-Carburetor Mounting |
| 7 | *272163 | Gasket-Cylinder Hd. | | 393880 | Piston Assembly (.030" O.S.) | 54 | 93208 | Screw-Intake Elbow Mounting |
| 8 | 390321 | Breather Assembly | | | | 55 | 393576 | Housing-Rewind Starter |
| 9 | *27803 | Gasket-Valve Cover | | | | 56 | 295871 | Pulley-Rewind Starter Note: Includes 63" Rope; if Longer Rope is Required, Order Rope No. 66894 and Cut to Required Length. |
| 10 | 94621 | Screw-Sem | | | | 57 | 490179 | Spring-Rewind Starter |
| 11 | 280267 | Tube-Breather | | | | 58 | 66884 | Rope-Rewind Starter (63" Long) For Use With Plastic Pulley; if Longer Rope is Needed, Order No. 66894 and Cut to Required Length. |
| 12 | *271701 | Gasket-Crankcase Cover (1/64" Thick) | | | | | | |
| | *27876 | Gasket-Crankcase Cover (.005" Thick) | | | | | | |
| | *27877 | Gasket-Crankcase Cover (.009" Thick) | | | | | | |
| 13 | 94565 | Screw-Cylinder Head (2-5/8" Long) | 26 | 393881 | Ring Set-Piston (Standard) | | | |
| 14 | 93723 | Screw-Cylinder Head (3" Long) (1) | | 393882 | Ring Set-Piston (.010" O.S.) | | | |
| 15 | 91084 | Plug-Oil Drain Note: 92738 Plug-Oil Drain (Magnetic) | | 393883 | Ring Set-Piston (.020" O.S.) | | | |
| 16 | 492454 | Crankshaft Note: Order 94388 For Loose Timing Gear Retaining Device. 493043 Crankshaft Used on Type No. 0100. 493453 Crankshaft Used on Type Nos. 0108, 0109, 0110, 0111, 0117, 0118, 0119, 0124, 0125. | | 393884 | Ring Set-Piston (.030" O.S.) | | | |
| | | | 27 | 68546 | Lock-Piston Pin | 59 | 490653 | Insert-Starter Handle |
| | | | 28 | 295840 | Pin Assembly- Piston (Standard) | 60 | 490652 | Handle-Rewind Starter |
| | | | | 295841 | Pin Assembly- Piston (.005" O.S.) | 63 | 260414 | Spring-Ratchet |
| 18 | 392676 | Cover Assembly- Crankcase Note: 392818 Cover Assy.- Crankcase Used on Type No. 0100. | 29 | 390402 | Rod Assembly- Connecting Note: For Connecting Rod With .020" Undersize Crankpin Bore-Order No. 390773. | 64 | 230543 | Adapter-Ratchet Spring |
| | | | | | | 65 | 94128 | Screw-Rewind Starter Housing Mtg. |
| | | | 30 | 222113 | Dipper-Connecting Rod | 66 | 399671 | Clutch Assembly- Rewind Starter |
| | | | 31 | 222114 | Lock-Connecting Rod Screw | 67 | 394897 | Housing-Rewind Starter Clutch |
| | | | 32 | 92659 | Screw-Connecting Rod | 68 | 63770 | Ball-Clutch |
| | | | 33 | 390419 | Valve-Exhaust | 70 | 298799 | Ratchet-Rewind Starter Clutch |
| | | | 34 | 261055 | Valve-Intake | 71 | 394506 | Washer-Clutch Retainer |
| 20 | *391086 | Seal-Oil | 35 | 65906 | Spring-Intake Valve | 73 | 221796 | Screen-Rewind Starter |
| 21 | 66768 | Plug-Oil Filler | 36 | 26828 | Spring-Exhaust Valve | 74 | 93758 | Screw-Hex. Hd. |
| 22 | 93585 | Screw-Crankcase Cover Mounting | 37 | 222475 | Guard-Flywheel | 75 | 224061 | Washer-Spring |
| | | | 38 | 93777 | Screw-Sem | 76 | 68238 | Washer-Ratchet Sealing |
| 23 | 298260 | Flywheel-Magneto | 40 | 221596 | Retainer-Intake Valve | 81 | 222263 | Lock, Screw-Muffler |
| 23A | 391983 | Flywheel and Ring Gear Assy.-Magneto For Use on Engines WITH ALTERNATOR. (Includes Aluminum Ring Gear). | 41 | 292260 | Rotocoil-Exhaust Valve | 90 | 390323 | Carburetor Assembly (Manual Choke) |
| | | | 42 | 93630 | Retainer-Exhaust Valve Rotocoil (2) | 91 | 399443 | Body Assembly- Upper Carburetor |
| | | | 45 | 260933 | Tappet-Valve | 93 | 23108 | Bushing-Throttle Shaft |
| | | | 46 | 211689 | Gear-Cam | | | |
| | | | 50 | 212488 | Elbow-Intake | | | |

MODEL 194400 SERIES

PISTON RING SETS:

Note: For Chrome Ring Set
(Standard Size)
Order No. 299743.

* Included in Gasket Set-Part No. 299577.

• Included in Carburetor Overhaul Kit-
Part No. 398235.

194400 to 194499

| REF. NO. | PART NO. | DESCRIPTION | REF. NO. | PART NO. | DESCRIPTION | REF. NO. | PART NO. | DESCRIPTION |
|----------|---------------------|--|----------|---|---|----------|----------|---|
| 94 | ●292681 | Valve Assembly-Carburetor Idle | 184 | 91257 | Screw-Machine, Fil. Hd. | | | Note: If Longer Wire is Required, Specify Length in Inches; if Shorter Wire is Needed, Order No. 26633 and Cut to Required Length. |
| 95 | 93499 | Screw-Throttle and Choke Valve Mtg. | 185 | 90970 | Nut-Square | | | |
| 96 | 223370 | Valve-Throttle | 186 | 67218 | Connector-Fuel Pipe | | | |
| 97 | 298826 | Shaft and Lever-Throttle | 187 | 296004 | Pipe-Fuel (Flexible) 23" Long (Cut to Suit) | | | |
| 98 | 91920 | Screw-Machine, Fil. Hd. | 188 | 93535 | Screw-Sem | 270 | 63426 | Locknut-Control Wire Casing |
| 99 | 26157 | Spring-Throttle Adjustment | 198 | 293934 | Valve-Fuel Shut-Off | 271 | 290568 | Lever Assy.-Control |
| 100 | 212904 | Stop-Throttle | 199 | 297563 | Outlet-Fuel Tank | 300 | 393010 | Muffler-Exhaust |
| 101 | 93043 | Pin-Throttle Stop | 200 | 221760 | Guide-Air | 300A | 391313 | Muffler-Exhaust |
| 102 | ●27918 | Gasket-Carburetor Body | 201 | 260872 | Link-Governor | 300B | 398200 | Muffler-Exhaust |
| 103 | 99333 | Float-Carburetor | | Note: 260478 | Spring-Governor Link | 302 | 261409 | Locknut-Muffler |
| 104 | ●230896 | Pin-Float Hinge | | | Used on Type Nos. 0106, 0107, 0109, 0110, 0111, 0117, 0118, 0119, 0120, 0121, 0122, 0123, 0124, 0125. | 304 | 491596 | Housing-Blower |
| 105 | ●394681 | Valve-Fuel Inlet | 206 | 231266 | Nut-Gov. Control Rod | | | Note: 491592 Housing-Blower Used on Type Nos. 0107, 0111, 0123, 0125. |
| | Note: 394682 | Valve-Fuel Inlet (Includes Brass Seat) | 207 | 26855 | Spring-Governor Control Rod | 305 | 93158 | Screw-Sem |
| 107 | 399442 | Body Assembly-Lower Carburetor | 208 | 261959 | Rod-Governor Control | 306 | 223374 | Shield-Cylinder |
| 108 | 62872 | Valve-Choke | 209 | 260695 | Spring-Governor | 307 | 93163 | Screw-Cylinder Shield Mounting |
| 109 | 391987 | Shaft and Lever-Choke | 219 | 494845 | Gear-Governor (Used After Code Date 91060900). | 308 | 222636 | Cover-Cylinder Head Motor-Starting (12 Volt) |
| 110 | 222712 | Washer-Choke Lever | | Note: 391737 | Gear-Gov. (Used Before Code Date 91061000). | 309 | | See Chart For Replacement Parts on Illustrated Pages. |
| 111 | 26155 | Spring-Choke Lever | 220 | 221551 | Washer-Thrust | 333 | 398811 | Armature-Magneto |
| 112 | 23123 | Screw-Choke Lever | 222 | 399151 | Plate-Governor Control | 334 | 93381 | Screw-Armature Mtg. |
| 113 | ●398202 | Nozzle-Carburetor | 227 | 391965 | Lever Assembly-Gov. | 337 | 492167 | Plug-Spark (1-7/8" High, 48 mm) |
| 114 | ●68667 | Gasket-Nozzle | 230 | 222450 | Washer-Gov. Crank | | | Note: 293918 Plug-Spark (1-5/8" High) (Resistor Type) |
| 116 | 280203 | O-Ring-Fuel Valve | 240 | 298090 | Filter-Fuel (In Fuel Pipe) | | | 298809 Plug-Spark (1-1/2" High, 38 mm) |
| 118 | ●99525 | Valve-Needle | 244 | 230318 | Connector-Fuel Pipe | | | 802592 Plug-Spark (1-7/8" High, 48 mm) (Resistor Type) |
| | | Includes: | 268 | 65616 | Casing-Control Wire (72" Long) | | | |
| | | 22235 Washer-Brass | | Note: If Longer Casing is Required, Specify Length in Inches; if Shorter Wire is Needed, Order No. 65616 and Cut to Required Length. | | | | |
| | | 26336 Spring | | | | | | |
| | | 65978 O-Ring | | | | | | |
| | | 394033 Valve-Needle | | | | | | |
| 119 | 94152 | Screw-Sem | 269 | 26633 | Wire-Control (78" Long) | 346 | 93705 | Screw-Sem |
| 121 | 398235 | Carburetor Overhaul Kit | | | | 347 | 220197 | Switch-Stop |
| 164 | 398592 | Pipe Assembly-Air Cleaner | | | | 347A | 298926 | Switch-Stop (For 1-1/2" High, 38 mm Spark Plug) |
| | | Uses: | | | | | | Note: 293739 Switch-Stop (For 1-7/8" High, 48 mm Spark Plug) |
| | | 271265 O-Ring Seal | | | | | | |
| 165 | 94289 | Nut-Wing | | | | | | |
| 166 | 392105 | Stud-Air Cleaner | | | | | | |
| 167 | 65978 | Seal-Air Cleaner Stud | | | | | | |
| 180 | 290816 | Tank Assembly-Fuel (4 Quart) | | | | | | |
| 181 | 392305 | Cap-Fuel Tank | | | | | | |
| 182 | 222758 | Bracket-Fuel Tank | | | | | | |
| 183 | 291367 | Strap Assy.-Fuel Tank | | | | 353 | 97791 | Washer-Lock |
| | | | | | | 354 | 90576 | Nut-Hex. |

* Included in Gasket Set-Part No. 299577.

● Included in Carburetor Overhaul Kit-Part No. 398235.

194400 to 194499

| REF. NO. | PART NO. | DESCRIPTION | REF. NO. | PART NO. | DESCRIPTION | REF. NO. | PART NO. | DESCRIPTION |
|----------|----------|--|----------|----------|---|----------|----------|-----------------------------------|
| 356 | 398874 | Wire-Ground | 615 | 93307 | Retainer-E-Ring | 878 | 393422 | Alternator Harness |
| 357 | 91540 | Key-Pulley | 616 | 231057 | Crank-Governor | 883 | *272309 | Gasket-Exhaust |
| 358 | 299577 | Gasket Set | 635 | 66538 | Elbow-Spark Plug | 887 | 391529 | Stator Assembly-Alternator (D.C.) |
| 363 | 19165 | Puller-Flywheel | 642 | 398462 | Cover-Air Cleaner | 917 | 223271 | Valve Handle-Fuel Shut-Off |
| 373 | 92987 | Nut-Hex. | 642A | 222271 | Cover-Air Cleaner | 948 | 398661 | Harness-Wire |
| 383 | 89838 | Spark Plug Wrench | 643 | 222272 | Cup-Air Cleaner | 949 | 280685 | Guard-Debris |
| 423 | 93984 | Screw-Sem | 655 | 222598 | Anchor-Spring | 956 | 493337 | Tank Assembly-Fuel |
| 445 | 393957 | Cartridge-Air Cleaner | 676 | 395700 | Deflector-Mufler | 957 | 397975 | Cap-Fuel Tank |
| 467 | 212706 | Knob-Air Cleaner | 725 | 222175 | Shield-Fuel Pipe | 958 | 399517 | Outlet-Fuel Tank |
| 482 | 93621 | Screw-Sem | 726 | 392134 | Gear-Ring (Includes Mtg. Parts) | 959 | 223462 | Bracket-Fuel Tank (Upper) |
| 520 | 93722 | Terminal-Spade | 727 | 395405 | Cover-Starter (Includes Mtg. Screws) | 960 | 492990 | Bracket-Fuel Tank (Lower) |
| 535 | 271794 | Element-Air Cleaner | 728 | 93535 | Screw-Sem | 961 | 94095 | Screw-Tank Mtg. |
| 535A | 270782 | Element-Air Cleaner | 729 | 223528 | Clip-Wire | 978 | *271736 | Gasket-Oil Switch |
| 536 | 399810 | Cleaner Assy.-Air | 741 | 262479 | Gear-Timing | 979 | 398194 | Cover-OIL GARD® Hole |
| 536A | 391063 | Cleaner Assy.-Air | 836 | 93559 | Screw-Hex. Hd. | 980 | 398182 | Switch-OIL GARD® |
| 552 | 491893 | Bushing-Governor Crank | 843 | 280149 | Sleeve-Choke Lever | 982 | 94139 | Cover Screw-OIL GARD® |
| 562 | 92613 | Bolt-Governor Lever | 850 | 271793 | Seal | 982A | 94146 | Screw-OIL GARD® Mounting |
| 575 | 396691 | Stop Switch-Rotary | 851 | 221798 | Terminal-Ignition Cable | 983 | 398660 | Light-Indicator |
| 592 | 231082 | Nut-Hex. | 869 | 211661 | Seat-Intake Valve (Standard) | 984 | 223773 | Bracket-Indicator Light |
| 601 | 93053 | Clamp-Fuel Pipe | 870 | 211661 | Seat-Exhaust Valve (Standard) | 985 | 398525 | Insulator Assembly |
| 608 | 390391 | Starter Assembly-Rewind | 871 | 261961 | Guide-Exhaust Valve | 994 | 399541 | Arrester-Spark |
| | | Note: For Starter Assy. With Longer Than Standard Rope-Order No. 299640. | | | Note: 231218 Guide-Intake Valve See Repair Manual. | 1016 | 490817 | Spacer |
| 613 | 94042 | Screw-Hex. Hd. | 877 | 393814 | Diode and Connector Assy. (D.C.) | 1019 | 491193 | Label Kit |
| 613A | 94054 | Screw-Hex. Hd. | | | | | | |
| 614 | 93306 | Pin-Cotter | | | | | | |

* Included in Gasket Set-Part No. 299577.

• Included in Carburetor Overhaul Kit-Part No. 398235.