

# Illustrated Parts List

## Model Series

### 194400 to 194499

TYPE NUMBERS  
1110, 1112, 1114,  
1120, 1121,  
1123 through 1131,  
1150, 1151.

**TO FIND**  
**THE CORRECT NUMBER OF THE PART YOU NEED:**  
**FOLLOW THE INSTRUCTIONS BELOW**

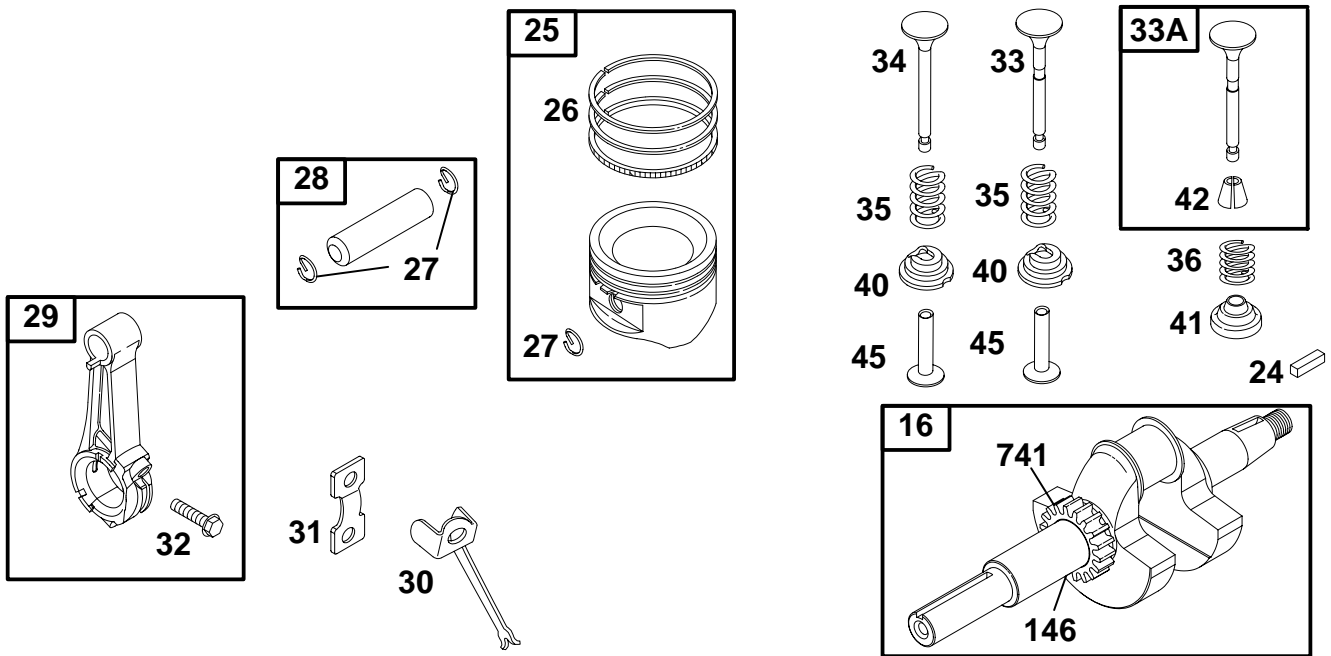
- A. Refer to Engine Model, Type and Code Number that is stamped on the blower housing of engine. Engine type numbers such as 0123 01 are listed only as 0123 in most instances. The two digits (01 or 02, etc.) to the right of the space may be required for more accurate parts identification in some instances. Select the Illustrated Parts List covering the correct Model Series and Type Number.
- B. Refer to the Illustrations and compare the original part with Illustration. The number next to the illustration is the Reference Number. Assemblies include all parts shown in frames. All parts shown in assembly frames having individual reference numbers can be purchased separately.
- C. After the Reference Number has been identified, refer to the Numerical text, where Reference and Primary Part Number are listed. **THE PRIMARY PART IS USED ON ALL TYPE NUMBERS EXCEPT THOSE TYPE NUMBERS UNDER "NOTE."**
- D. If a "Note" appears below the Primary Part Number, it means that this part differs from the Primary Part for certain types. If your Type number is listed under "Note," order the part referred to at the "Note."
- E. If your Engine Type Number does not appear after any part number listed under "Note," use the Primary Part Number.
- F. For Engine Type Numbers not covered by this book, check other Parts Lists having the same engine model or contact your source of supply.

PRINTED IN U.S.A.



COPYRIGHT by BRIGGS & STRATTON CORPORATION  
All rights reserved. No part of this material may be reproduced or transmitted, in any form or by any means, electronic or mechanical, including photocopying, recording or by any information storage and retrieval system, without permission in writing from Briggs & Stratton Corporation.



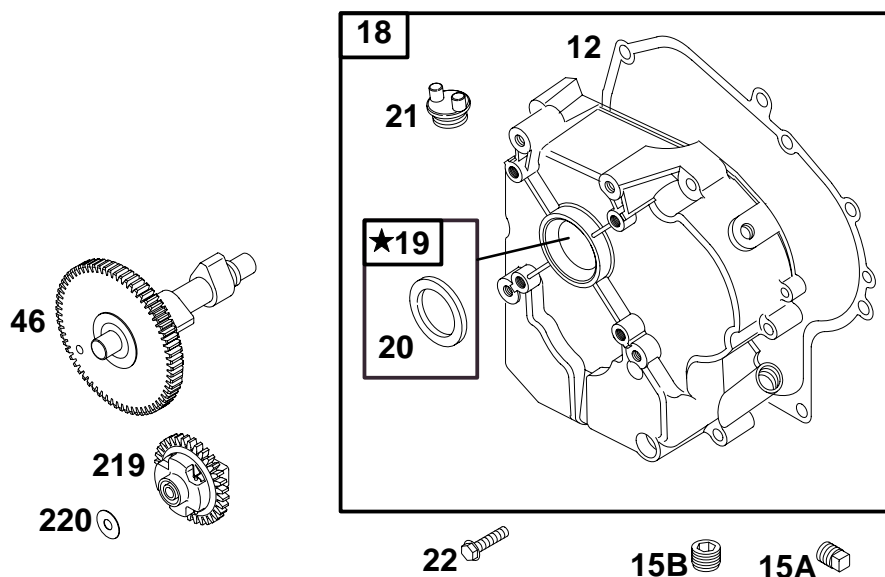


REF. NO.	PART NO.	DESCRIPTION	REF. NO.	PART NO.	DESCRIPTION	REF. NO.	PART NO.	DESCRIPTION
16	495832	Crankshaft <b>Note</b> — 495790 Crankshaft Used on Type No(s). 1112, 1114, 1120, 1121, 1129, 1130, 1150, 1151. 496974 Crankshaft Used on Type No(s). 1131.	27	263181	Lock-Piston Pin <b>Note</b> — 68546 Lock-Piston Pin (Used Before Code Date 96102800).	34	261055	Valve-Intake
24	222698	Key-Flywheel	28	499302	Pin-Piston (Standard) <b>Note</b> — 499303 Pin-Piston (.005" O.S.) 295840 Pin-Piston (Standard) 295841 Pin-Piston (.005" O.S.) (Used Before Code Date 96102800).	35	65906	Spring-Valve (Intake and Exhaust) (Used After Code Date 95041600).
25	499273	Piston Assembly (Standard) <b>Note</b> — 499274 Piston Assy. (.010" O.S.) 499275 Piston Assy. (.020" O.S.) 499276 Piston Assy. (.030" O.S.)	29	390401	Rod-Connecting (Standard) <b>Note</b> — 390773 Rod-Conn. (.020" Undersize)	36	26828	Spring-Valve (Exhaust Only) (Used Before Code Date 95041700).
26	393881	Ring Set (Standard) <b>Note</b> — 299743 Ring Set (Chrome Standard) 393882 Ring Set (.010" O.S.) 393883 Ring Set (.020" O.S.) 393884 Ring Set (.030" O.S.)	30	222113	Dipper-Conn. Rod	40	221596	Retainer-Valve (Intake)
			31	222114	Lock-Rod Screw	41	292260	Retainer-Valve (Exhaust) (Used Before Code Date 95041700).
			32	92659	Screw-Conn. Rod	42	494553	Keeper-Valve (Used Before Code Date 95041700).
			33	263017	Valve-Exhaust (Used After Code Date 95041600).	45	260933	Tappet-Valve
			33A	390420	Valve-Exhaust (Used Before Code Date 95041700).	146	94388	Key-Timing
						741	263025	Gear-Timing <b>Note</b> — 262479 Gear-Timing (Used Before Code Date 95022000)

★ Included in Gasket Set-Part No. 299577.  
● Included in Carburetor Kit-Part No. 398235.

⊘ Included in Valve Overhaul Gasket Set-Part No. 498533.

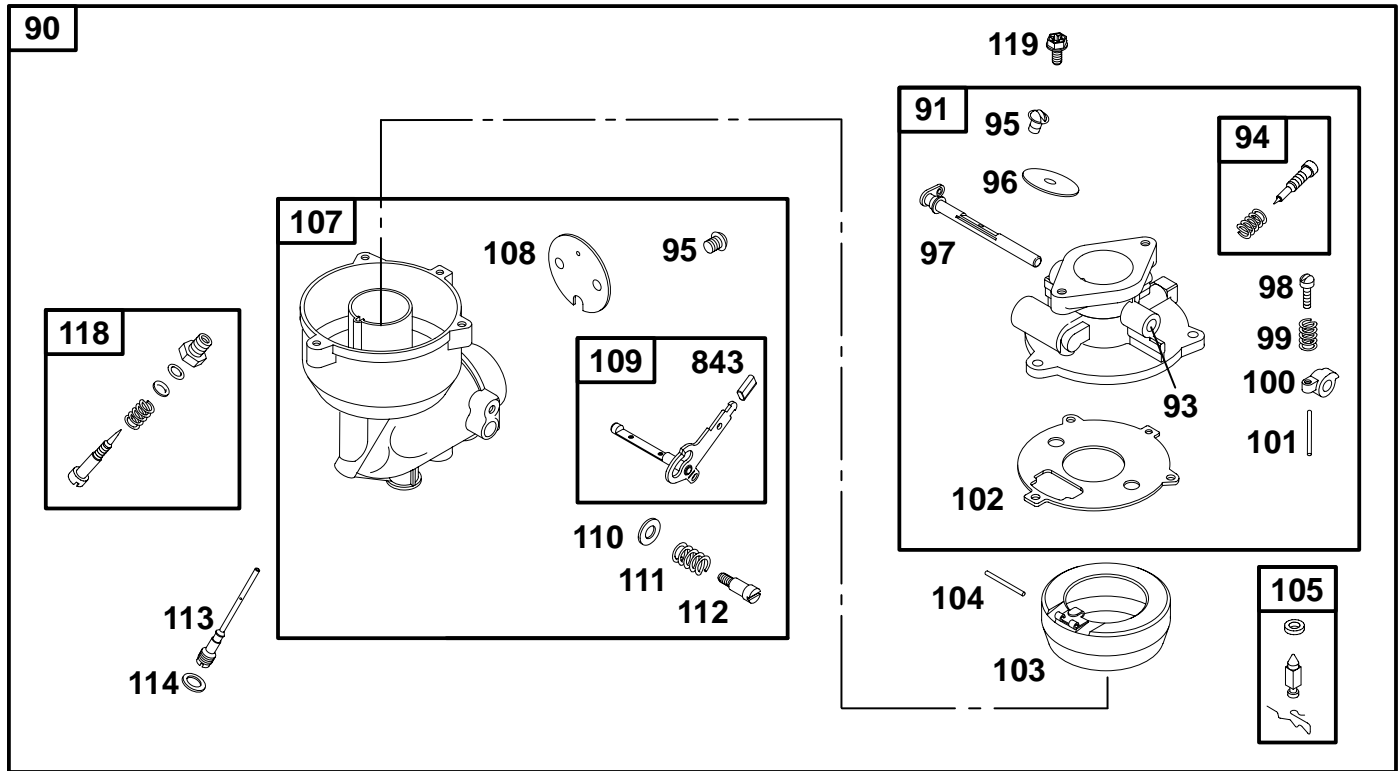
# 194400 to 194499



REF. NO.	PART NO.	DESCRIPTION	REF. NO.	PART NO.	DESCRIPTION	REF. NO.	PART NO.	DESCRIPTION
12	★271701	Gasket-Crankcase (.015" Thick)	15A	91488	Plug-Oil	21	281658	Cap-Oil Fill
		<b>Note</b>	15B	94802	Plug-Oil Drain	22	93585	Screw-Hex.
		★27876 Gasket-Crankcase (.005" Thick)	18	392676	Cover-Crankcase	46	211689	Gear-Cam
		★27877 Gasket-Crankcase (.009" Thick)	19	295964	Bushing	219	494845	Gear-Governor
			20	★391086	Seal-Oil	220	221551	Washer-Thrust

- ★ Included in Gasket Set-Part No. 299577.
- Included in Carburetor Kit-Part No. 398235.

∅ Included in Valve Overhaul Gasket Set-Part No. 498533.

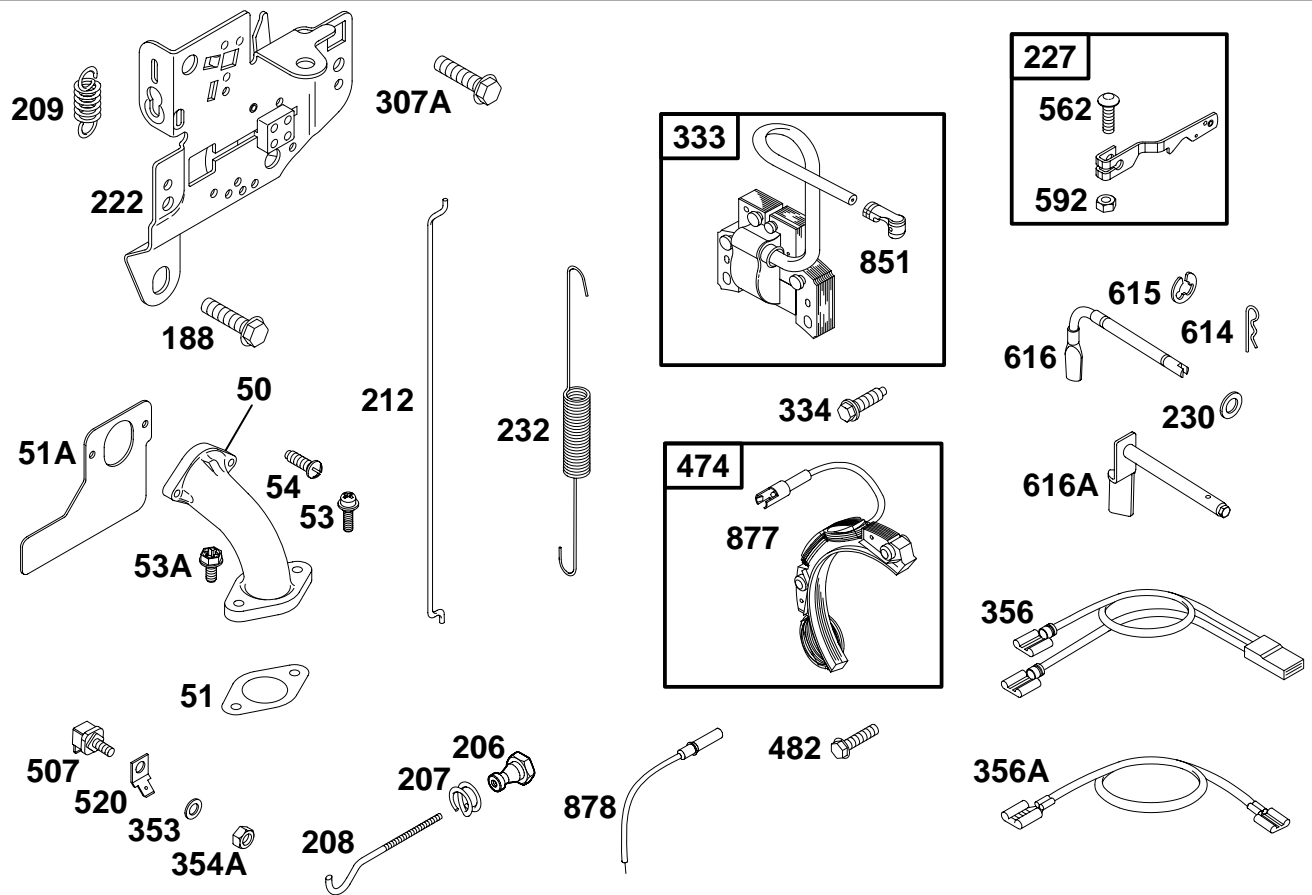


REF. NO.	PART NO.	DESCRIPTION	REF. NO.	PART NO.	DESCRIPTION	REF. NO.	PART NO.	DESCRIPTION
90	390323	Carburetor	101	93043	Pin-Throttle Lever	110	222712	Washer
91	399443	Body Assembly-Upper	102	●27918	Gasket-Carb. Body	111	26155	Spring-Lever
93	23108	Bushing-Throttle Shaft	103	99333	Float-Carburetor	112	23123	Screw-Shoulder
94	●292681	Valve-Idle Adjustment	104	●230896	Pin-Float Hinge	113	●398202	Nozzle-Carburetor
95	93499	Screw-Slotted	105	●394681	Valve-Needle	114	●68667	Gasket-Nozzle
96	223370	Valve-Throttle	107	399442	Body Assembly-Lower	118	●99525	Valve-High Speed
97	298826	Shaft-Throttle	108	62872	Valve-Choke	119	94152	Screw-Torx® Hex.
98	91920	Screw-Slotted	109	391987	Shaft-Choke	843	280149	Sleeve-Lever
99	26157	Spring-Friction						
100	212904	Stop-Throttle						

★ Included in Gasket Set-Part No. 299577.  
 ● Included in Carburetor Kit-Part No. 398235.

∅ Included in Valve Overhaul Gasket Set-Part No. 498533.

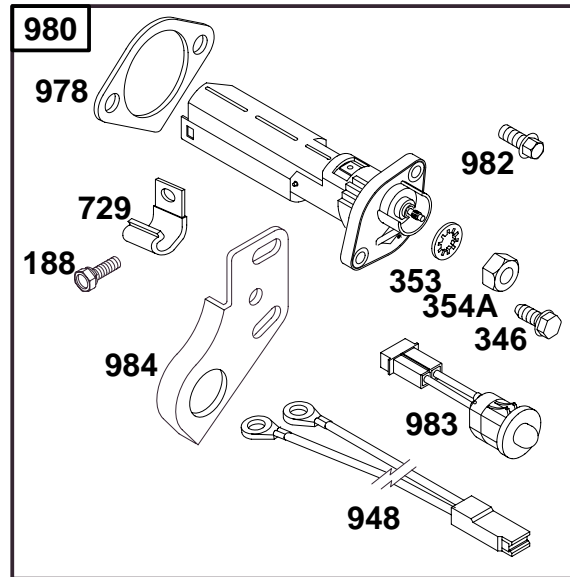
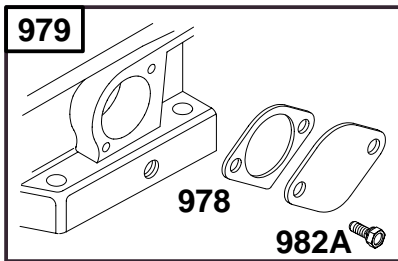
# 194400 to 194499



REF. NO.	PART NO.	DESCRIPTION	REF. NO.	PART NO.	DESCRIPTION	REF. NO.	PART NO.	DESCRIPTION
50	212488	Manifold-Intake	222	399151	Bracket-Control	482	93621	Screw-Hex.
51	★270684	Gasket-Intake	227	391965	Lever-Governor	507	398525	Insulator
51A	★Ø27828	Gasket-Intake	230	94927	Washer	520	93722	Terminal
53	93956	Screw-Shoulder	232	260478	Spring-Link	562	92613	Bolt-Carriage
53A	94616	Screw-Torx® Hex.	307A	93343	Screw-Hex.	592	231082	Nut-Hex.
54	93208	Screw-Phillips	333	398811	Armature-Magneto	614	93306	Pin-Cotter
188	94627	Screw-Hex.	334	94731	Screw-Hex.	615	93307	Retainer
206	231266	Nut	353	92791	Washer-Lock	616	231057	Crank-Governor
207	26855	Spring-Control Rod	354A	90576	Nut-Hex.	616A	495241	Crank-Governor
208	261959	Rod-Governor Control	356	491391	Wire-Stop	851	493880	Terminal-Cable
209	260695	Spring-Governor	356A	398838	Wire-Stop	877	393814	Wire-Alternator
212	260872	Link-Throttle	474	391529	Alternator	878	393422	Harness-Alternator

★ Included in Gasket Set-Part No. 299577.  
 ● Included in Carburetor Kit-Part No. 398235.

Ø Included in Valve Overhaul Gasket Set-Part No. 498533.

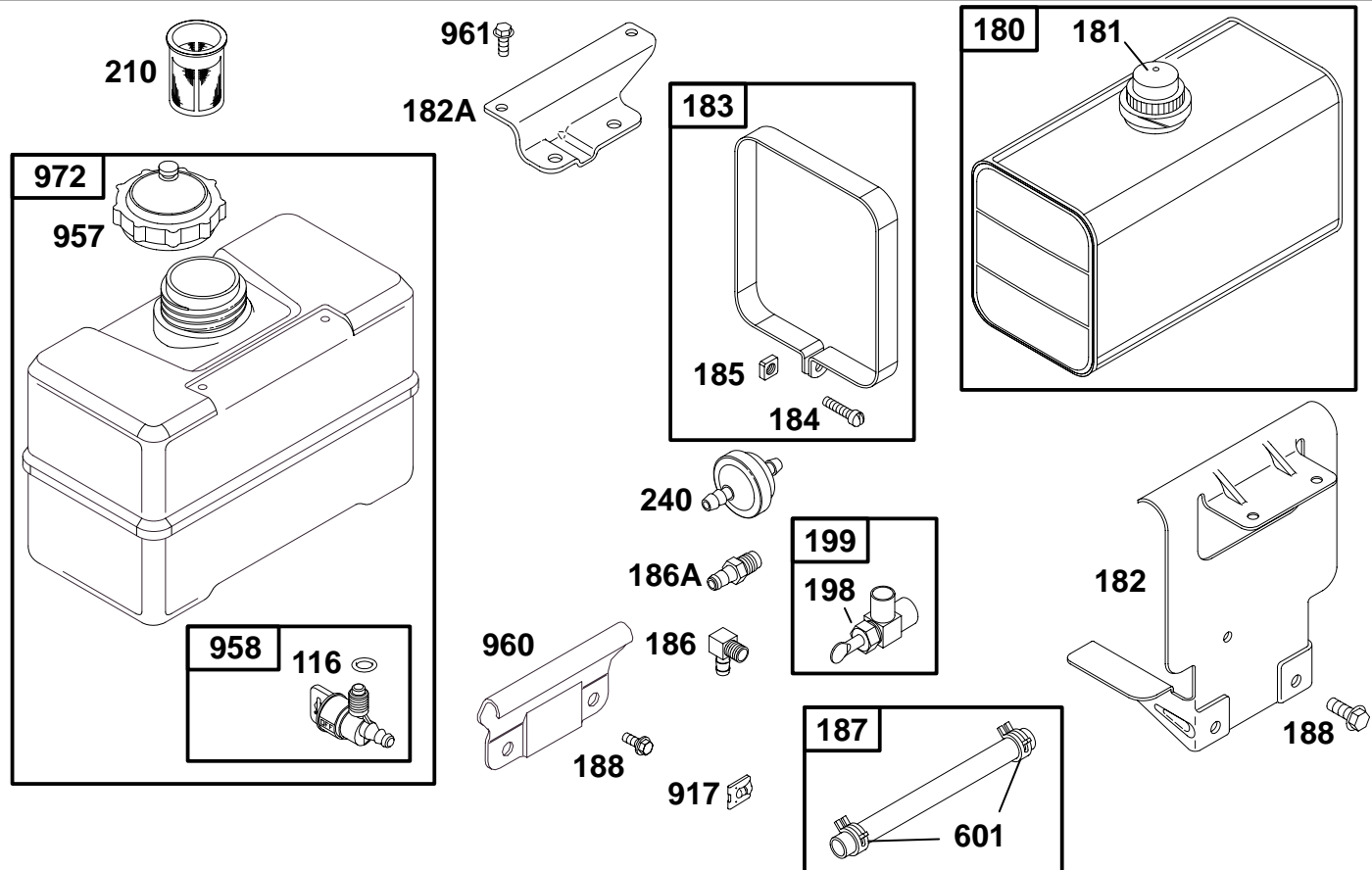


REF. NO.	PART NO.	DESCRIPTION	REF. NO.	PART NO.	DESCRIPTION	REF. NO.	PART NO.	DESCRIPTION
188	94627	Screw-Hex.	948	398661	Harness-Wiring	982	94657	Screw-Hex.
346	93705	Screw-Hex.	978	★271736	Gasket	982A	94139	Screw-Hex.
353	92791	Washer-Lock	979	494807	Cover-OIL GARD®	983	398660	Light-Indicator
354A	90576	Nut-Hex.	980	398182	OIL GARD® Kit	984	223773	Bracket-Light
729	223528	Clip-Wire						

★ Included in Gasket Set-Part No. 299577.  
 ● Included in Carburetor Kit-Part No. 398235.

∅ Included in Valve Overhaul Gasket Set-Part No. 498533.

# 194400 to 194499

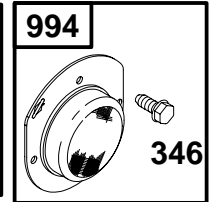
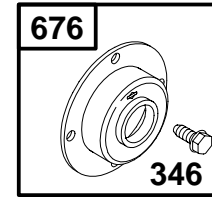
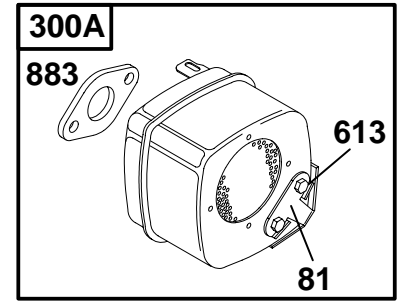
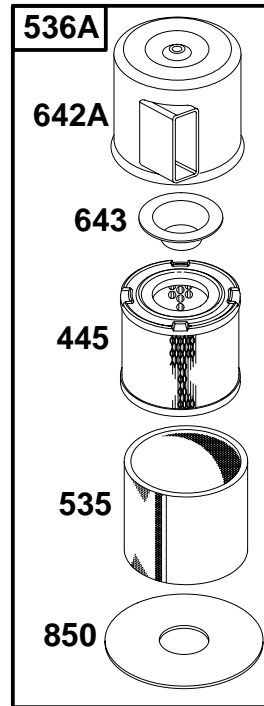
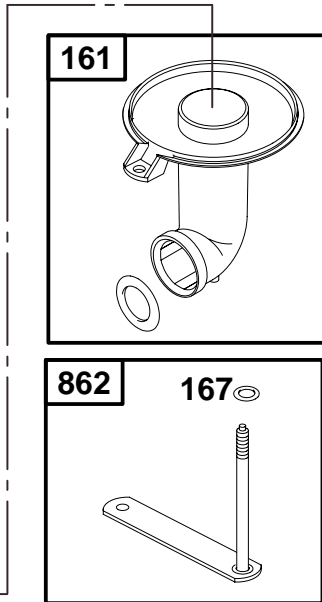
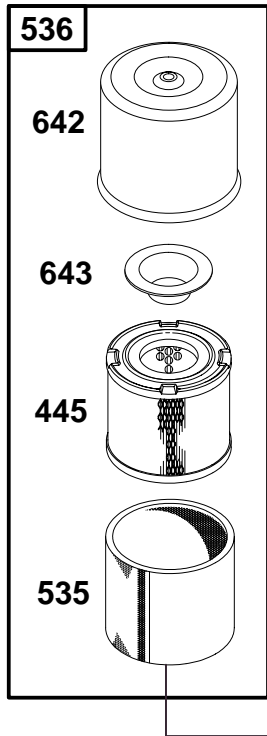


REF. NO.	PART NO.	DESCRIPTION	REF. NO.	PART NO.	DESCRIPTION	REF. NO.	PART NO.	DESCRIPTION
116	280203	Seal-O-Ring	186	67218	Connector-Hose	240	298090	Filter-Fuel
180	290816	Tank-Fuel (4 Quart)	186A	230318	Connector-Hose	601	93053	Clamp-Hose
181	392305	Cap-Fuel Tank	187	296004	Line-Fuel (Cut to Required Length)	917	223271	Handle-Shut Off Valve
182	222758	Bracket-Fuel Tank	188	94627	Screw-Hex.	957	493988	Cap-Fuel Tank
182A	495664	Bracket-Fuel Tank (Upper)	198	293934	Screw-Shut Off	958	399517	Valve-Shut-Off
183	291367	Strap-Fuel Tank	199	297563	Valve-Shut Off	960	492990	Bracket-Fuel Tank (Lower)
184	91257	Screw-Slotted	210	492044	Strainer-Fuel	961	94095	Screw-Hex.
185	90970	Nut				972	493337	Tank-Fuel

★ Included in Gasket Set-Part No. 299577.  
● Included in Carburetor Kit-Part No. 398235.

⊘ Included in Valve Overhaul Gasket Set-Part No. 498533.



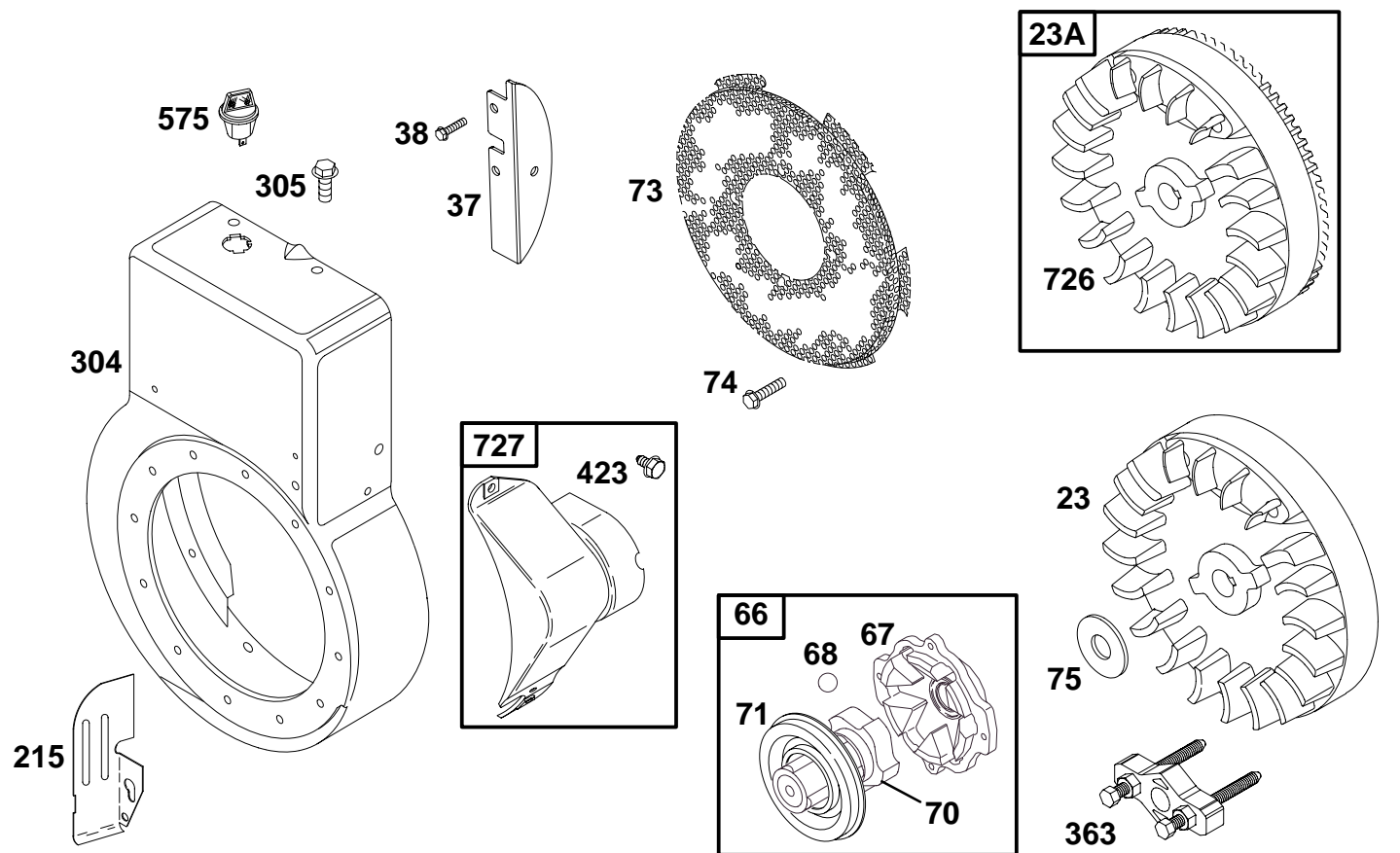


REF. NO.	PART NO.	DESCRIPTION	REF. NO.	PART NO.	DESCRIPTION	REF. NO.	PART NO.	DESCRIPTION
81	222263	Lock-Muffler Screw	302	261409	Locknut-Muffler	642	224885	Cover-Air Cleaner
161	398592	Pipe-Air Cleaner	346	93705	Screw-Hex.	642A	496093	Cover-Air Cleaner
		<b>Use(s):</b>	445	393957	Filter-Air	643	222272	Retainer-Air Filter
		271265 Seal-O-Ring	467	493903	Knob	676	395700	Deflector-Muffler
165	94289	Nut-Wing	535	271794	Filter-Air	850	271793	Seal-Base
167	65978	Seal-O-Ring	536	391063	Cleaner-Air	862	392105	Strap-Cleaner Mtg.
300	393010	Muffler-Exhaust	536A	399810	Cleaner-Air	883	★Ø272309	Gasket-Exhaust
300A	391313	Muffler-Exhaust	613	94042	Screw-Shoulder	994	399541	Arrester-Spark

★ Included in Gasket Set-Part No. 299577.  
 ● Included in Carburetor Kit-Part No. 398235.

Ø Included in Valve Overhaul Gasket Set-Part No. 498533.

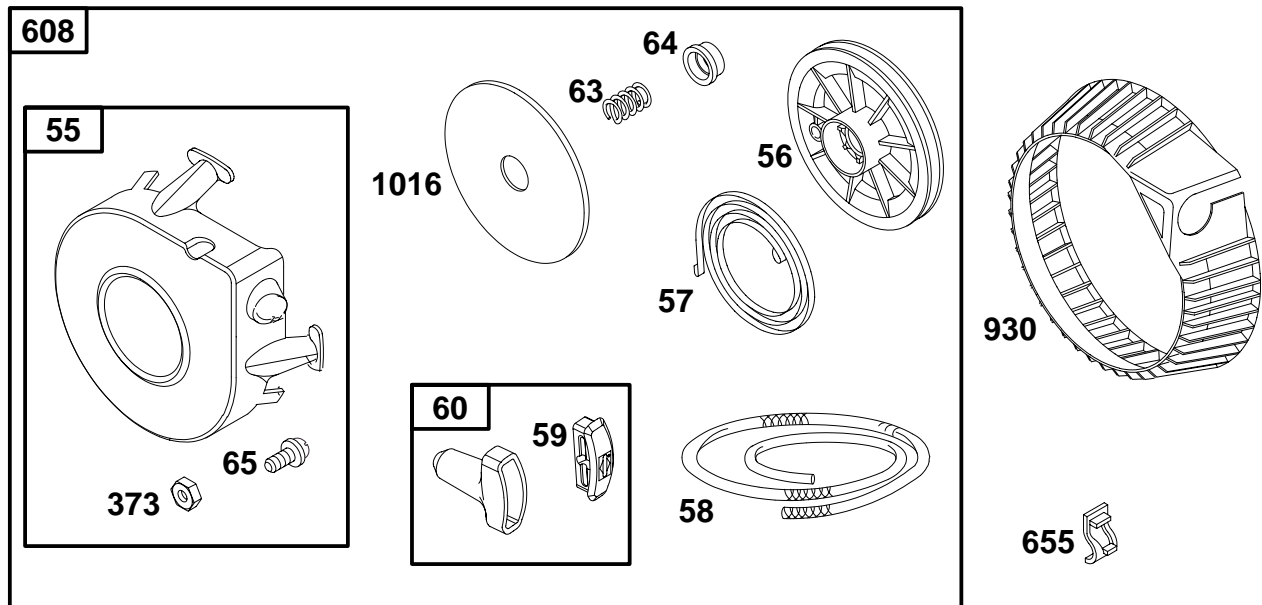
# 194400 to 194499



REF. NO.	PART NO.	DESCRIPTION	REF. NO.	PART NO.	DESCRIPTION	REF. NO.	PART NO.	DESCRIPTION
23	298260	Flywheel	71	394506	Cover-Ratchet	305	94786	Screw-Hex.
23A	392034	Flywheel	73	221796	Screen-Rotating	363	19165	Flywheel Puller
		<b>Note</b>	74	93758	Screw-Hex.	423	94073	Screw-Shoulder
		391983 Flywheel	75	224061	Washer	575	396691	Switch-Rotary
		Used on Type No(s).	215	221760	Guide-Air	726	392134	Gear-Ring
		1120, 1129, 1150.	304	491596	Housing-Blower	727	395405	Cover-Starter drive
37	222475	Guard-Flywheel			<b>Note</b>			
38	94811	Screw-Hex.			491592 Housing-Blower			
66	399671	Clutch-Starter			Used on Type No(s).			
67	394897	Housing-Clutch			1120, 1124, 1127,			
68	63770	Ball-Clutch			1128, 1129, 1150.			
70	298799	Ratchet-Clutch						

★ Included in Gasket Set-Part No. 299577.  
 ● Included in Carburetor Kit-Part No. 398235.

⊘ Included in Valve Overhaul Gasket Set-Part No. 498533.

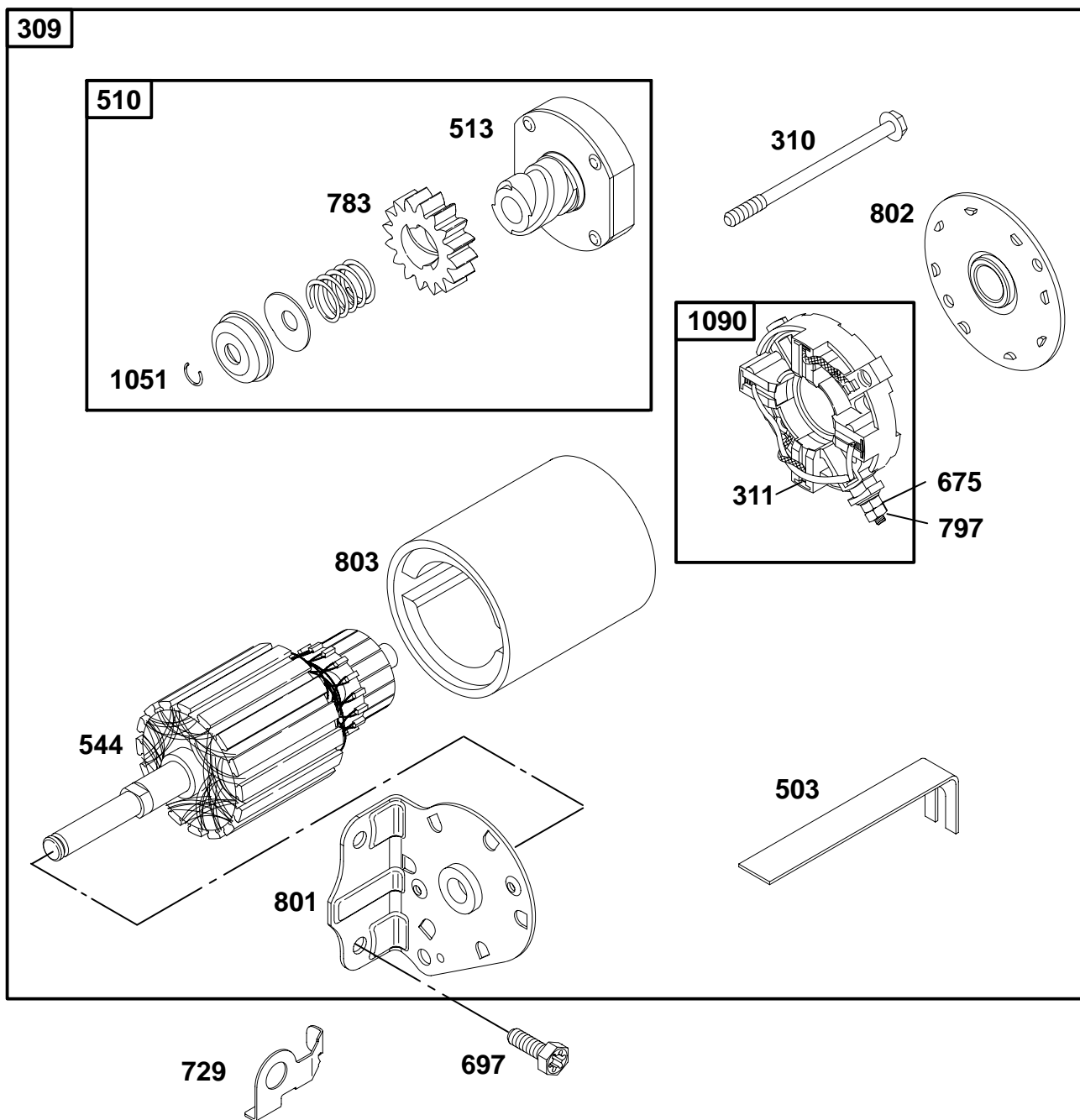


REF. NO.	PART NO.	DESCRIPTION	REF. NO.	PART NO.	DESCRIPTION	REF. NO.	PART NO.	DESCRIPTION
55	393576	Housing-Rewind Starter	57	490179	Spring-Rewind Starter	64	281204	Adapter-Spring
56	295871	Pulley-Starter	58	66884	Rope-Starter (63" Long)	65	94128	Screw-Hex.
		<b>Note</b> Includes 63" Rope; if Longer Rope is Required, Order Part No. 66894 and Cut to Required Length.			<b>Note</b> 66894 Rope-Starter (99" Long)	373	92987	Nut-Hex.
			59	490653	Insert-Grip	608	390391	Starter-Rewind
			60	490652	Grip-Starter Rope	655	222598	Anchor-Rewind Spring
			63	260414	Spring-Ratchet	930	280685	Guard-Rewind
						1016	490817	Spacer

★ Included in Gasket Set-Part No. 299577.  
● Included in Carburetor Kit-Part No. 398235.

⊘ Included in Valve Overhaul Gasket Set-Part No. 498533.

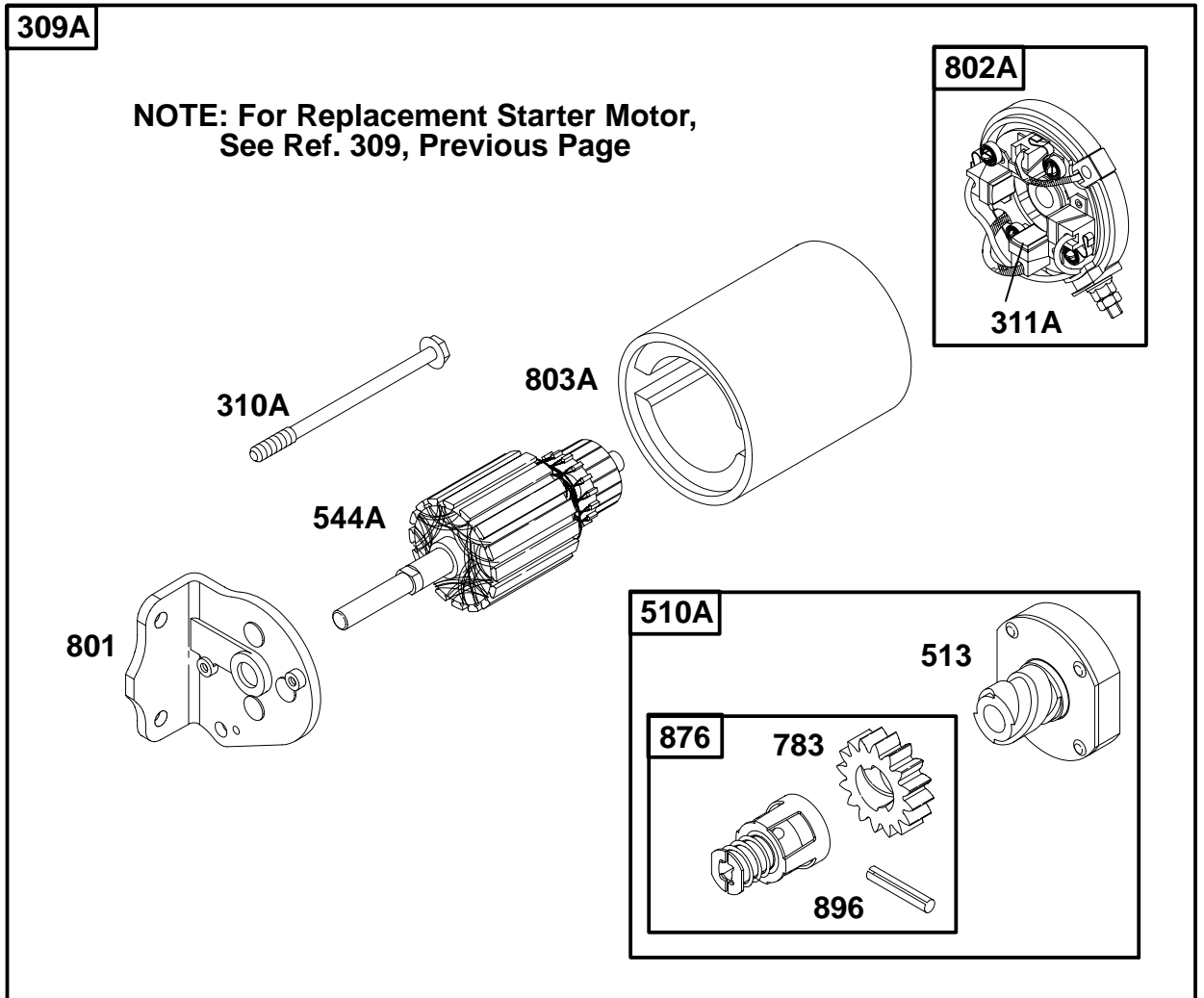
# 194400 to 194499



REF. NO.	PART NO.	DESCRIPTION	REF. NO.	PART NO.	DESCRIPTION	REF. NO.	PART NO.	DESCRIPTION
309	693054	Motor-Starter (3 5/8" Housing Lgth.)	544	497603	Armature-Starter (3 5/8" Housing Lgth.)	797	92278	Nut (Starter Terminal)
310	94003	Bolt (Starter Motor) (3 5/8" Housing Lgth.)	675	225137	Washer (Starter Motor)	801	394856	Cap-Drive
311	497608	Brush Set	697	94773	Screw (Starter Motor Mounting)	802	497607	Cap-End
503	806000	Strap-Starter	729	225170	Clip-Wire	803	497604	Housing-Starter (3 5/8" Housing Lgth.)
510	497606	Drive-Starter	783	693059	Gear-Starter	1051	263080	Ring-Retainer
513	398003	Clutch-Drive				1090	497605	Retainer-Brush

★ Included in Gasket Set-Part No. 299577.  
 ● Included in Carburetor Kit-Part No. 398235.

∅ Included in Valve Overhaul Gasket Set-Part No. 498533.

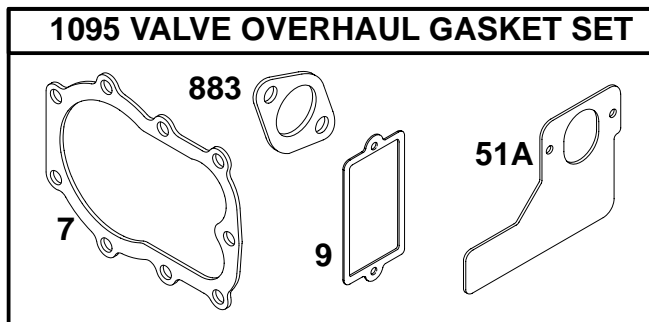
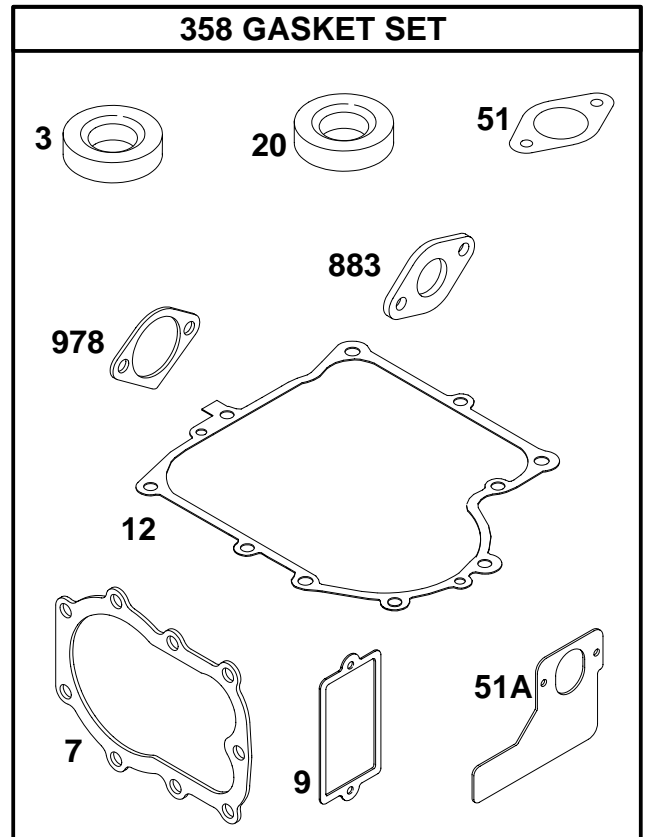
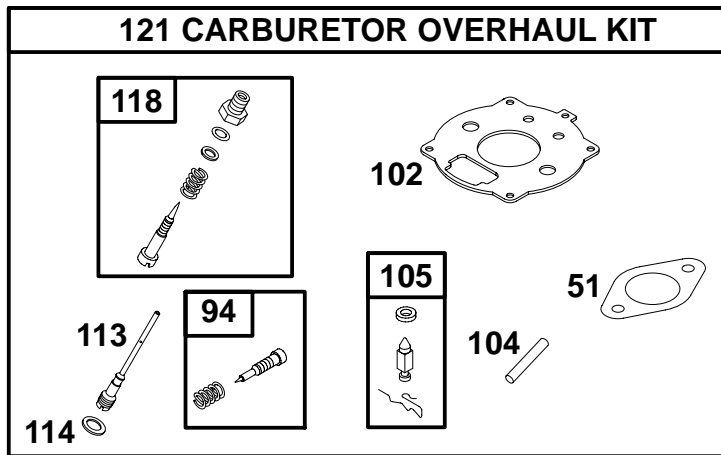


REF. NO.	PART NO.	DESCRIPTION	REF. NO.	PART NO.	DESCRIPTION	REF. NO.	PART NO.	DESCRIPTION
<b>309A</b>		<b>For Replacement Starter Motor, See Ref 309, Previous Page.</b>	<b>503</b>	<b>806000</b>	Strap-Starter	<b>783</b>	<b>693059</b>	Gear-Starter
			<b>510A</b>	<b>495878</b>	Drive-Starter	<b>801</b>	<b>394856</b>	Cap-Drive
			<b>513</b>	<b>398003</b>	Clutch-Drive	<b>802A</b>	<b>395537</b>	Cap-End (For 3 5/8" Housing Length)
<b>310A</b>	<b>94003</b>	Bolt. (Starter Motor) (For 3 5/8" Housing Length)	<b>544A</b>	<b>390837</b>	Armature-Starter (For 3 5/8" Housing Length)	<b>803A</b>	<b>398159</b>	Housing-Starter (For 3 5/8" Housing Length)
<b>311A</b>	<b>395538</b>	Brush Set (For 3 5/8" Housing Lengths)	<b>697</b>	<b>94773</b>	Screw (Starter Motor Mounting)	<b>876</b>	<b>495877</b>	Kit-Gear
						<b>896</b>	<b>94288</b>	Pin-Roll

★ Included in Gasket Set-Part No. 299577.  
 ● Included in Carburetor Kit-Part No. 398235.

⊘ Included in Valve Overhaul Gasket Set-Part No. 498533.

# 194400 to 194499



REF. NO.	PART NO.	DESCRIPTION	REF. NO.	PART NO.	DESCRIPTION	REF. NO.	PART NO.	DESCRIPTION
3	★391086	Seal—Oil	20	★391086	Seal—Oil	358	299577	Gasket Set
7	★∅272163	Gasket—Cylinder Head	51	★●270684	Gasket—Intake	883	★∅272309	Gasket—Exhaust
9	★∅27803	Gasket—Breather	51A	★∅27828	Gasket—Intake	978	★271736	Gasket
12	★271701	Gasket—Crankcase (.015" Thick)	94	●292681	Valve—Idle Adjustment	1095	498533	Gasket Set—Valve Overhaul
————— <b>Note</b> —————			102	●27918	Gasket—Carburetor Body			
	★27876	Gasket—Crankcase (.005" Thick)	104	●230896	Pin—Float Hinge			
	★27877	Gasket—Crankcase (.009" Thick)	105	●394681	Valve—Needle			
			113	●398202	Nozzle—Carburetor			
			114	●68667	Gasket—Nozzle			
			118	●99525	Valve—High Speed			
			121	398235	Carburetor Kit			

★ Included in Gasket Set—Part No. 299577.  
● Included in Carburetor Kit—Part No. 398235.

∅ Included in Valve Overhaul Gasket Set—Part No. 498533.