

197700

Illustrated Parts List

Model Series

197700

TYPE NUMBERS
0101 through 1026.

For Use On Engines Built Before Date Code – 02051800

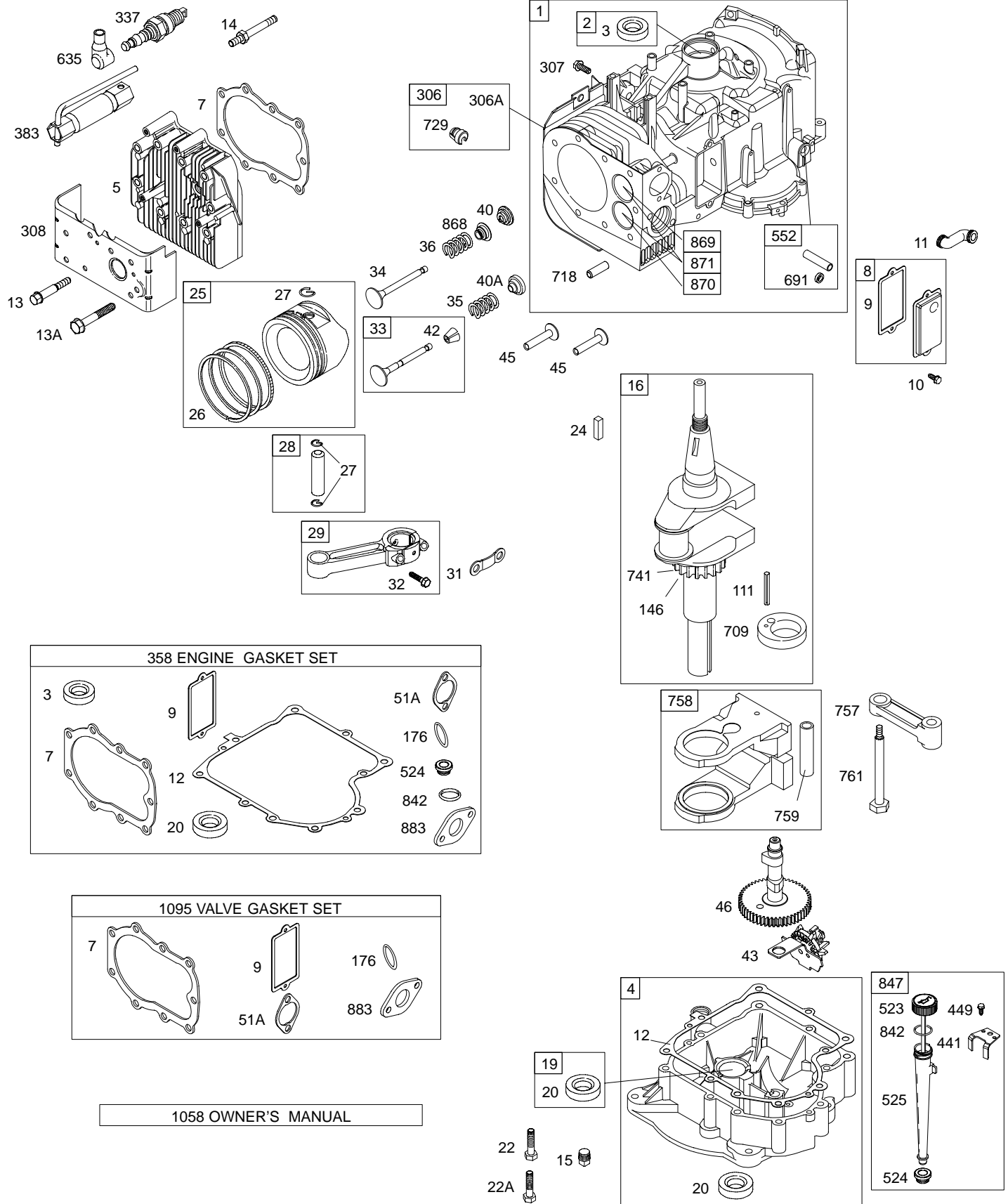
TABLE OF CONTENTS

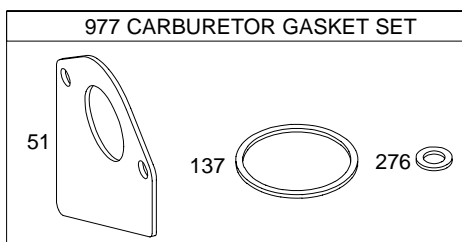
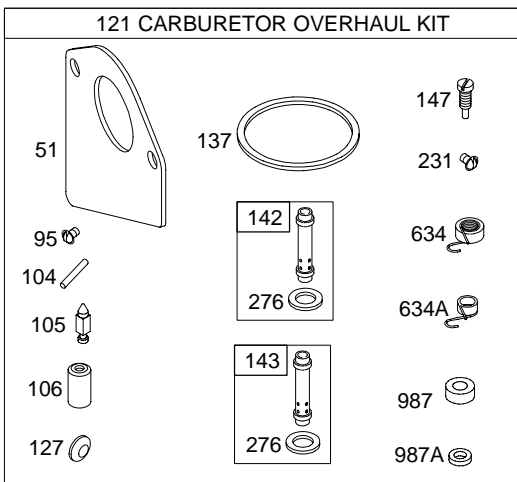
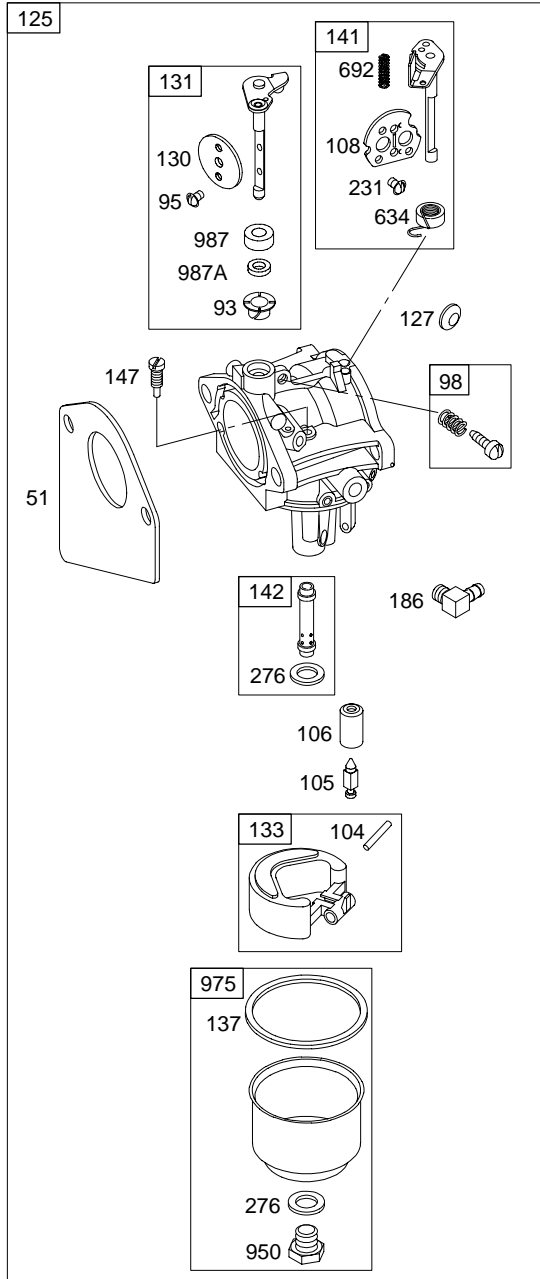
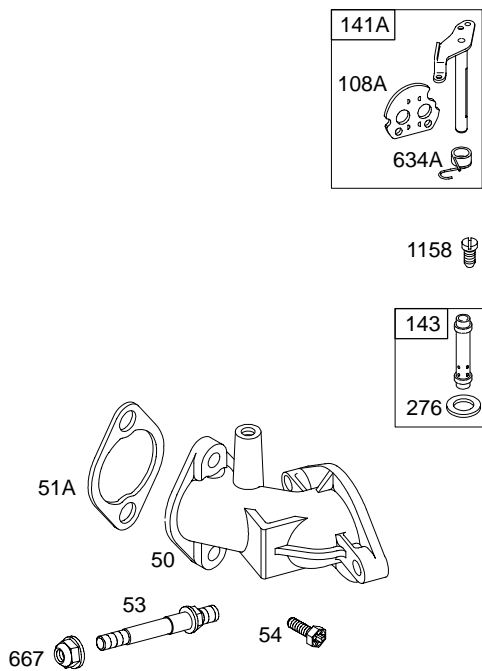
Air Cleaner	4
Alternator	6
Blower Housing/Shrouds	5
Cam	2
Carburetor	3
Controls	4
Crankcase Cover/Sump	2
Crankshaft	2
Cylinder	2
Electric Starter	6
Flywheel	5
Fuel Tank	4
Governor Spring	4
Head	2
Ignition	5
Kits/Gaskets-Carburetor	3
Kits/Gaskets-Valve	2
Muffler	4
Oil	2
Piston Group	2
Rewind	5
Valves	2

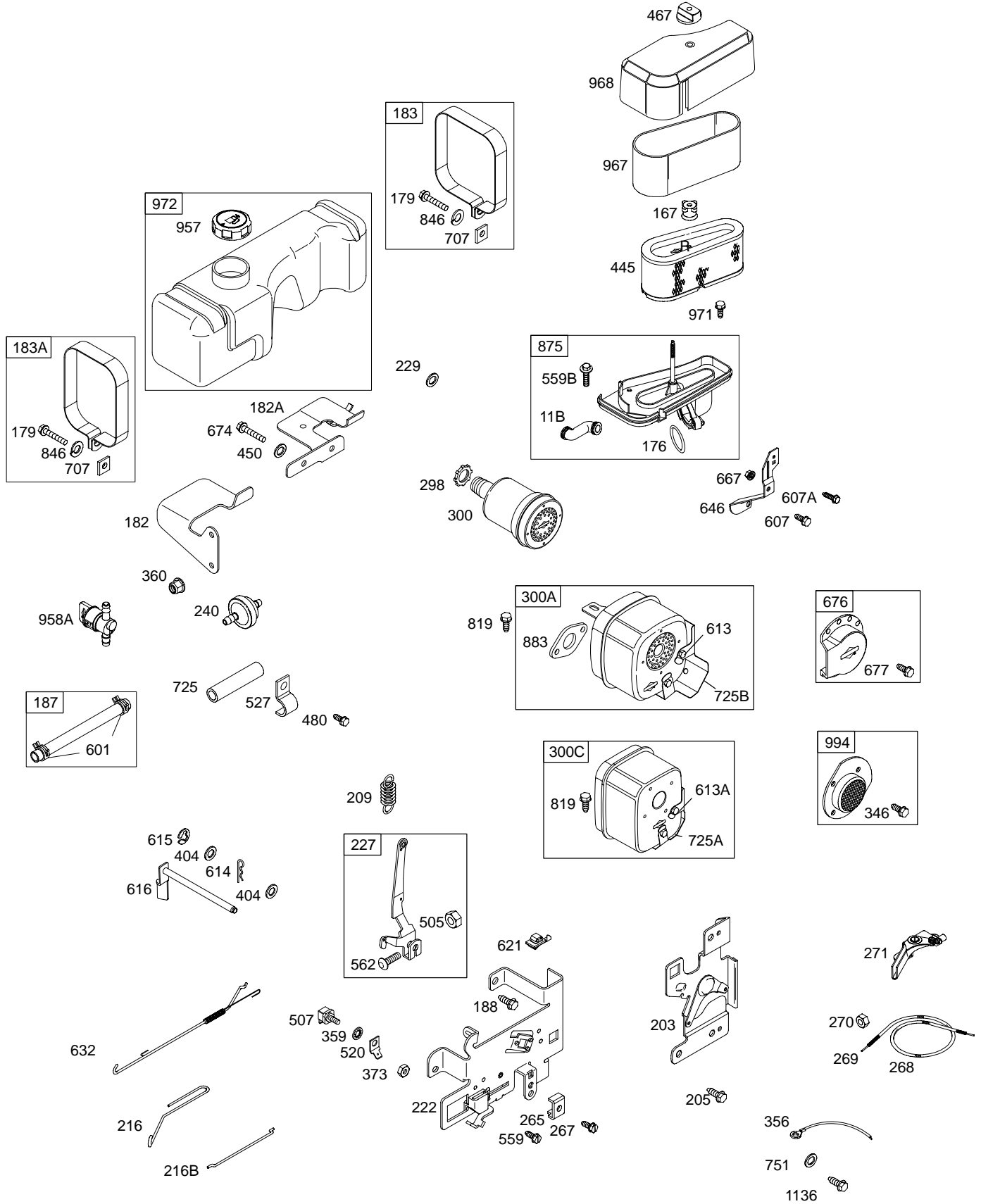
PRINTED IN U.S.A.

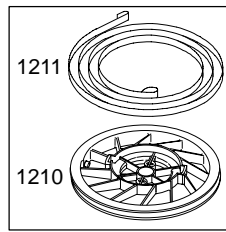


COPYRIGHT by BRIGGS & STRATTON CORPORATION
All rights reserved. No part of this material may be reproduced or transmitted, in any form or by any means, electronic or mechanical, including photocopying, recording or by any information storage and retrieval system, without permission in writing from Briggs & Stratton Corporation.



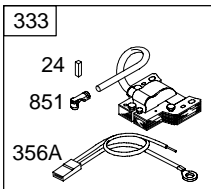
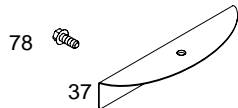
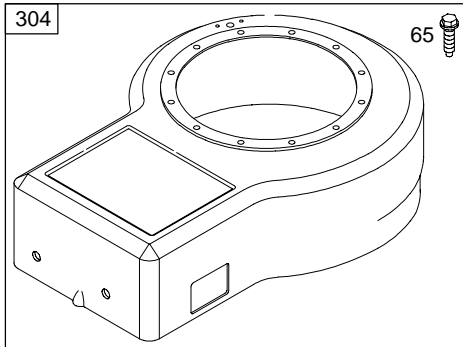
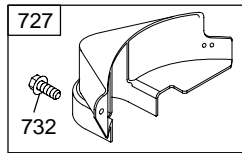
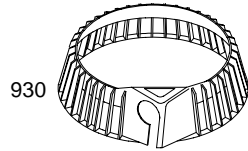




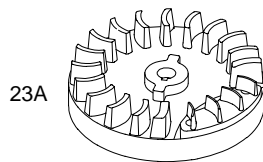
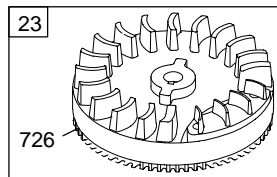
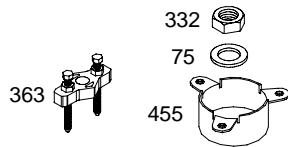


1019 LABEL KIT

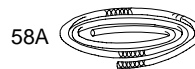
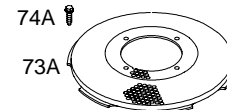
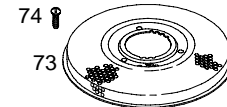
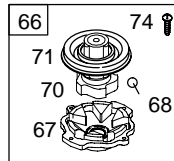
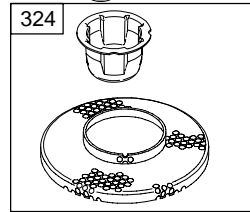
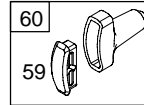
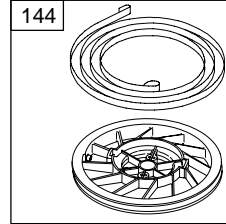
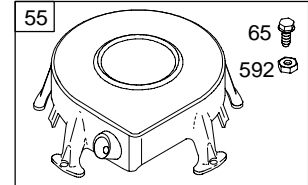
1036 EMISSION LABEL



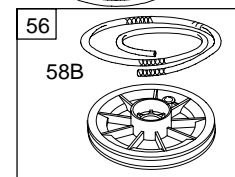
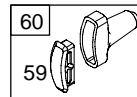
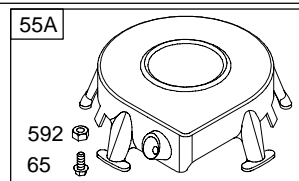
334









608



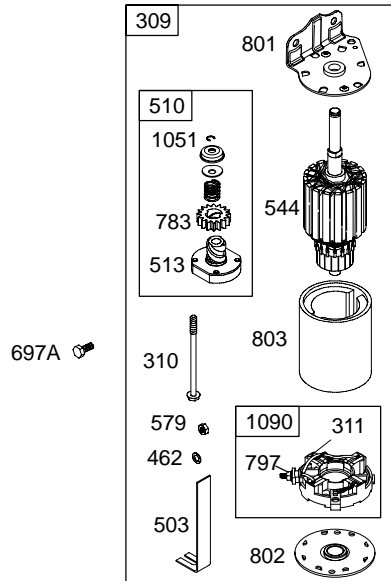
608A



DUAL CIRCUIT	DC ONLY
<div data-bbox="651 310 695 338">474</div> <div data-bbox="651 363 695 390">877</div> 	<div data-bbox="833 310 876 338">474A</div> <div data-bbox="833 363 876 390">877A</div> 
<div data-bbox="651 457 695 485">1059</div> 	<div data-bbox="833 457 876 485">1059</div> 
<div data-bbox="670 562 698 590">878</div> 	<div data-bbox="852 562 880 590">578</div> 

NOTE: THE PROPER FLYWHEEL PART NUMBER AND/OR THE ALTERNATOR MAGNET SIZE WILL DETERMINE THE ALTERNATOR TYPE OR OUTPUT. SEE REPAIR MANUAL FOR ADDITIONAL INFORMATION

NOTE: ALL OLD STYLE STATORS USE REFERENCE NUMBER 1119 MOUNTING SCREW



REF. NO.	PART NO.	DESCRIPTION	REF. NO.	PART NO.	DESCRIPTION	REF. NO.	PART NO.	DESCRIPTION			
1	495623	Cylinder Assembly	22	691625	Screw (Crankcase Cover/Sump)	35	691605	Spring-Valve (Intake)			
2	495657	Kit-Bushing/Seal (Magneto Side)	22A	691103	Screw (Crankcase Cover/Sump) (Used In Position 1)	36	691597	Spring-Valve (Exhaust)			
3	★391086	Seal-Oil (Magneto Side)	23	691354	Flywheel (Electric Start)	37	690411	Guard-Flywheel			
4	392548	Sump-Engine	23A	690615	Flywheel (Rewind Start)	40	690656	Retainer-Valve (Intake)			
5	691715	Head-Cylinder	24	222698	Key-Flywheel	40A	691939	Retainer-Valve (Exhaust)			
7	∅★272163	Gasket-Cylinder Head	25	499907	Piston Assembly (Standard)	42	494553	Keeper-Valve (Exhaust)			
8	495735	Breather Assembly			Note	43	691980	Slinger-Governor/Oil			
9	∅★27803	Gasket-Breather			499908 Piston Assembly (.015" Oversize)	45	691793	Tappet-Valve			
10	691666	Screw (Breather Assembly)			499909 Piston Assembly (.020" Oversize)	46	691167	Camshaft			
11	692293	Tube-Breather			499910 Piston Assembly (.030" Oversize)	50	691711	Manifold-Intake			
11B	692253	Tube-Breather			26	499921	Ring Set (Standard)				
12	★692221	Crankcase Gasket (.015" Thick) (Standard)						51	◆692284	Gasket-Intake (Intake Manifold to Carburetor)	
		Note						51A	∅★272554	Gasket-Intake (Intake Manifold to Cylinder)	
		★27876 Gasket- Crankcase (.005" Thick)						53	690227	Stud (Carburetor)	
		★27877 Gasket- Crankcase (.009" Thick)						54	93208	Screw (Intake Manifold)	
13	691651	Screw (Cylinder Head) (2 5/8" Long)						55	693904	Housing-Rewind Starter	
13A	690904	Screw (Cylinder Head) (3" Long)								(Used After Code Date 98111500).	
14	691690	Stud (Cylinder Head) (Used in Position 5 and 6)						55A	393576	Housing-Rewind Starter	
15	690946	Plug-Oil Drain								(Used Before Code Date 98111600).	
		Note						56	295871	Pulley-Starter	
		691680 Plug-Oil Drain Used on Type No(s). 0141.	27	690975	Lock-Piston Pin	57	490179	Spring-Rewind Starter	58	693389	Rope-Starter (70" Long)
16	694054	Crankshaft (Used After Code Date 98111500).	28	499302	Pin-Piston (Standard)	58A	695002	Rope-Starter (99" Length)	58B	692188	Rope-Starter (63" Long)
		Note						59	490653	Insert-Grip	
		495629 Crankshaft (Used Before Code Date 98111600).	29	390402	Rod-Connecting (Standard)	60	490652	Grip-Starter Rope	63	690547	Spring-Ratchet
19	295963	Kit-Bushing/Seal (PTO Side)						64	691920	Adapter-Ratchet Spring	
20	★391086	Seal-Oil (PTO Side)						65	690759	Screw (Rewind Starter)	
								66	399671	Clutch-Starter	
			31	222114	Lock-Rod Screw	67	394897	Housing-Clutch	68	691604	Ball-Clutch
			32	690352	Screw (Connecting Rod)	70	691945	Ratchet-Clutch	71	691359	Cover-Ratchet
			33	691794	Valve-Exhaust	73	691748	Screen-Rotating	73A	691754	Screen-Rotating
			34	261055	Valve-Intake						

★ Included in Engine Gasket Set-Ref. No.358.

● Included in Carburetor Overhaul Kit-Ref. No. 121.

◆ Included in Carburetor Gasket Set-Ref. No. 977.

∅ Included in Valve Gasket Set-Ref. No 1095.

197700

REF. NO.	PART NO.	DESCRIPTION	REF. NO.	PART NO.	DESCRIPTION	REF. NO.	PART NO.	DESCRIPTION
74	691660	Screw (Rotating Screen)	183	692960	Strap—Fuel Tank (Right Hand)	300	393010	Muffler (Round Lo Tone)
74A	691655	Screw (Rotating Screen)	183A	692030	Strap—Fuel Tank (Left Hand)	300A	691971	Muffler (Lo Tone)
75	690582	Washer (Flywheel)	186	692317	Connector—Hose (Used Before Code Date 01031900).	300C	494222	Muffler (Super Lo Tone)
78	690364	Screw (Flywheel Guard)	187	296004	Line—Fuel (Cut to Required Length)	304	496832	Housing—Blower (Rewind Start)
93	690602	Bushing—Throttle Shaft	188	691693	Screw (Control Bracket)	————— Note —————		
95	●691636	Screw (Throttle Valve)	203	691381	Crank—Bell	305	692198	Screw (Blower Housing)
98	495800	Kit—Idle Speed	205	691693	Screw (Bell Crank)	306	496797	Shield—Cylinder
104	●690525	Pin—Float Hinge	209	690480	Spring—Governor	306A	224898	Shield—Cylinder
105	●231855	Valve—Float Needle	216	690573	Link—Choke	307	691003	Screw (Cylinder Shield)
106	●690577	Seat—Inlet	216B	691281	Link—Choke	308	691201	Cover—Cylinder Head
108	690464	Valve—Choke (Manual Choke)	222	694042	Bracket—Control	309	693054	Motor—Starter
108A	692344	Valve—Choke (Choke A Matic)	227	691374	Lever—Governor Control	310	690323	Bolt (Starter Motor)
111	691679	Pin—Retainer	229	691261	Washer (Fuel Tank) (Rewind Start)	311	497608	Brush Set
121	497535	Kit—Carburetor Overhaul	————— Note —————			324	695160	Screen/Cup Assembly (Used After Code Date 99022800).
125	692684	Carburetor	231	●691636	Screw (Choke Valve)	332	690662	Nut (Flywheel)
		————— Note —————	240	298090	Filter—Fuel	332A	693899	Nut (Flywheel)
		696461 Carburetor Used on Type No(s). 0119, 0120, 0123, 1015, 1025, 1026.	265	691024	Clamp—Casing	333	398811	Armature—Magneto
127	●694530	Plug—Welch	267	690804	Screw (Casing Clamp)	334	691061	Screw (Magneto Armature)
130	690468	Valve—Throttle	268	691025	Casing—Control Wire (Cut to Required Length)	337	802592	Plug—Spark
131	494885	Kit—Throttle Shaft	269	691026	Wire—Control (Cut to Required Length)	346	690661	Screw (Spark Arrester)
133	494381	Float—Carburetor	270	691027	Nut (Control Wire Casing)	356	399222	Wire—Stop
137	●281165	Gasket—Float Bowl	271	691028	Lever—Control	356A	398808	Wire—Stop
141	495097	Kit—Choke Shaft (Manual Choke)	276	●692255	Washer—Sealing	356B	690799	Wire—Stop
141A	495931	Kit—Choke Shaft (Choke A Matic)	298	690453	Locknut—Muffler/Elbow	358	299577	Gasket Set—Engine
142	●690121	Nozzle—Carburetor (Standard)				359	691077	Washer (Ground Terminal)
143	●692688	Nozzle—Carburetor (High Altitude)				360	691105	Nut (Fuel Tank Bracket)
144	697843	Pulley/Spring Assembly				363	19165	Puller—Flywheel
146	690979	Key—Timing				373	691612	Nut (Ground Terminal)
147	●497472	Jet—Pilot				383	89838	Wrench—Spark Plug
167	692297	Seal—Air Cleaner Nut				404	691691	Washer (Governor Crank)
176	★691917	Seal—O Ring (Air Cleaner Base)				441	690593	Bracket—Oil Fill
179	692331	Screw (Fuel Tank Strap)				445	691667	Filter—Air Cleaner Cartridge
182	691214	Bracket—Fuel Tank (Right Hand)				449	690664	Screw (Oil Fill Bracket)
182A	692867	Bracket—Fuel Tank (Left Hand)						

★ Included in Engine Gasket Set—Ref. No.358.

● Included in Carburetor Overhaul Kit—Ref. No. 121.

◆ Included in Carburetor Gasket Set—Ref. No. 977.

⊘ Included in Valve Gasket Set—Ref. No 1095.

REF. NO.	PART NO.	DESCRIPTION	REF. NO.	PART NO.	DESCRIPTION	REF. NO.	PART NO.	DESCRIPTION
450	691261	Washer (Fuel Tank Bracket) (Rewind Start)	608	693900	Starter–Rewind (Used After Code Date 98111500).	727	395405	Cover–Starter Drive
		————— Note —————	608A	390391	Starter–Rewind (Used Before Code Date 98111600).	729	690603	Clip–Wire
		690259 Washer (Fuel Tank Bracket) (Electric Start)	613	691632	Screw (Muffler)	732	691097	Screw (Starter Drive Cover)
455	691173	Cup–Flywheel	613A	691351	Screw (Muffler)	741	691288	Gear–Timing
456	692299	Plate–Pawl Friction	614	691620	Pin–Cotter	751	691077	Washer (Stop Wire)
459	281505	Pawl–Ratchet	615	93307	Retainer–Governor Shaft	757	691714	Link–Counterweight
462	691261	Washer (Starter Cable)	616	692012	Crank–Governor	758	690619	Counterweight
467	691668	Knob–Air Cleaner	621	692310	Switch–Stop	759	691239	Pin–Counterweight
474	696459	Alternator (Dual Circuit)	632	693663	Spring/Link– Mechanical Governor	761	690346	Screw (Counterweight)
474A	696578	Alternator (DC Only)	634	690801	Spring/Seal Assembly (Manual Choke)	783	693059	Gear–Pinion
480	690664	Screw (Tube Clamp)	634A	690802	Spring/Seal Assembly (Choke A Matic)	797	693167	Nut (Brush Retainer)
503	691532	Strap–Starter	635	66538	Boot–Spark Plug	801	691283	Cap–Drive
505	691251	Nut (Governor Control Lever)	646	690465	Brace–Air Cleaner	802	691286	Cap–End
507	691972	Insulator	655	691734	Anchor–Rewind Spring	803	693757	Housing–Starter
510	497606	Drive–Starter	667	690958	Nut (Air Cleaner Brace)	819	690810	Screw (Muffler Bracket)
513	692024	Clutch–Drive	674	691058	Screw (Fuel Tank Bracket) (3/4" Long)	842	691870	Seal–O Ring (Dipstick/Tube)
520	691084	Terminal–Ground			————— Note —————	846	90832	Washer (Fuel Tank Strap)
523	691387	Dipstick			690341 Screw (Fuel Tank Bracket) (7/8" Long)	847	392066	Dipstick/Tube Assembly
524	281370	Seal–Dipstick Tube	676	393757	Deflector–Muffler (Side Out)	851	493880	Terminal–Spark Plug
525	692963	Tube–Dipstick	677	690661	Screw (Muffler Deflector)	868	692036	Seal–Valve
527	690394	Clamp–Tube	678	490817	Spacer–Rewind	869	691703	Seat–Valve (Intake)
544	692034	Armature–Starter	689A	691855	Spring–Friction	870	691844	Seat–Valve (Exhaust)
552	491986	Bushing–Governor Crank	691	692407	Seal–Governor Shaft	871	261961	Bushing–Valve Guide (Exhaust)
559	690661	Screw (Remote Choke Stop)	692	690572	Spring–Detent			————— Note —————
559B	693675	Screw (Remote Choke Stop) Used on Type No(s). 0119, 0122.	697A	690372	Screw (Drive Cap)			231218 Bushing–Valve Guide (Intake)
562	691119	Bolt (Governor Control Lever)	707	690279	Nut (Fuel Tank Strap)	875	693670	Base–Air Cleaner
578	692306	Wire Assembly	709	691268	Eccentric	877	393456	Wire/Connector– Alternator (Dual Circuit)
579	691029	Nut (Starter Cable)	718	690959	Pin–Locating	877A	393814	Wire/Connector– Alternator (DC Only)
592	690800	Nut (Starter Rewind)	725	690403	Shield–Heat (Super Lo Tone)	878	691237	Harness–Alternator (Dual Circuit)
597	691696	Screw (Pawl Friction Plate)	725A	690433	Shield–Heat (Lo Tone)	883	692237	Gasket–Exhaust
601	95162	Clamp–Hose	725B	690431	Shield–Heat (Lo Tone)			
607	690703	Screw (Air Cleaner Brace) (7/16" Long)	726	399676	Gear–Ring (Includes Mounting Hardware)			
607A	691693	Screw (Air Cleaner Brace) (3/8" Long)						

★ Included in Engine Gasket Set–Ref. No.358.

● Included in Carburetor Overhaul Kit–Ref. No. 121.

◆ Included in Carburetor Gasket Set–Ref. No. 977.

⊘ Included in Valve Gasket Set–Ref. No 1095.

197700

REF. NO.	PART NO.	DESCRIPTION	REF. NO.	PART NO.	DESCRIPTION	REF. NO.	PART NO.	DESCRIPTION
930	691904	Guard-Rewind	1036	696769	Label-Emissions	1051	691265	Ring-Retaining
950	691657	Screw-Float Bowl			(Used After Code Date	1054	280275	Tie-Cable
957	493988	Cap-Fuel Tank			01093000).	1058	274787	Owner's Manual
958A	494768	Valve-Fuel Shut Off			Note _____			(Emission)
967	272477	Filter-Pre Cleaner			695697 Label-	1059	698516	Kit-Screw/Washer
968	691324	Cover-Air Cleaner			Emissions			(Alternator)
971	690960	Screw			(Used Before Code	1090	691293	Retainer-Brush
		(Air Cleaner Base			Date 01100100 and	1095	498536	Gasket Set-Valve
		to Carburetor)			After Code Date	1119	691183	Screw
972	390225	Tank-Fuel			00063000).			(Alternator)
975	495933	Bowl-Float			695096 Label-	1136	690278	Screw
977	494385	Gasket Set-Carburetor			Emissions			(Control Bracket)
987	691326	Seal-Throttle Shaft			(Used Before Code			(High Speed Control)
987A	692001	Seal-Throttle Shaft			Date 00070100 and	1158	695659	Screw
994	399541	Arrestor-Spark			After Code Date			(Carburetor Plug)
1019	491182	Kit-Label			99093000).	1210	498144	Pulley/Spring
					694305 Label-			Assembly
					Emissions			(Pulley)
					(Used Before Code			(Used After Code Date
					Date 99100100 and			00082000 and Before
					After Code Date			Code Date 01051100).
					98123100).	1211	498144	Pulley/Spring
					499356 Label-			Assembly
					Emissions			(Spring)
					(Used Before Code			(Used After Code Date
					Date 99010100 and			00082000 and Before
					After Code Date			Code Date 01051100).
					97052500).			
					499355 Label-			
					Emissions			
					(Used Before Code			
					Date 97052600).			

★ Included in Engine Gasket Set-Ref. No.358.

● Included in Carburetor Overhaul Kit-Ref. No. 121.

◆ Included in Carburetor Gasket Set-Ref. No. 977.

⊗ Included in Valve Gasket Set-Ref. No 1095.