

198700

Illustrated Parts List

Model Series

198700

TYPE NUMBERS
0141 through 0145.

For Use On Engines Built Before Date Code – 02051800

TABLE OF CONTENTS

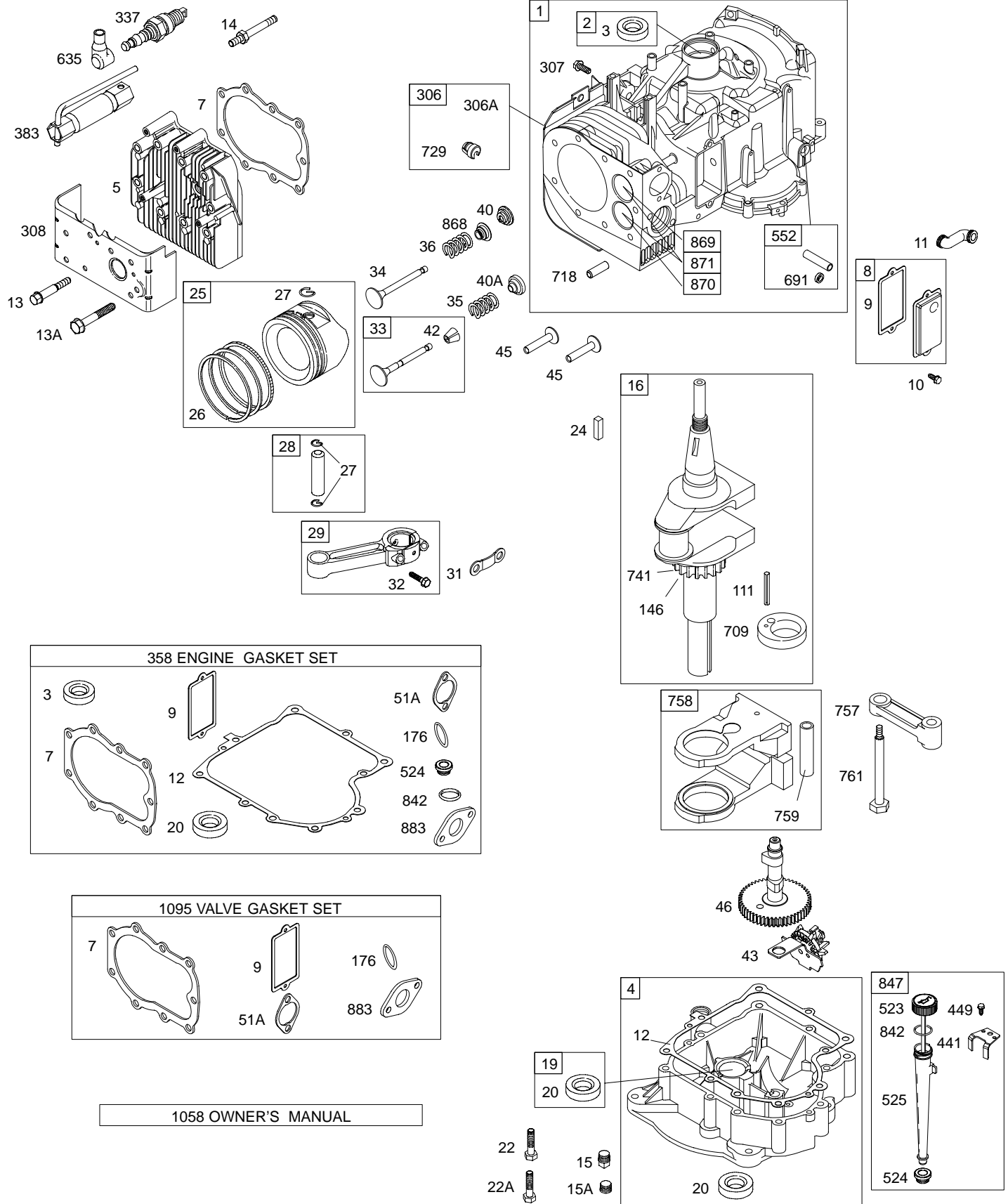
Air Cleaner	4
Alternator	6
Blower Housing/Shrouds	5
Cam	2
Carburetor	3
Controls	4
Crankcase Cover/Sump	2
Crankshaft	2
Cylinder	2
Electric Starter	6
Flywheel	5
Fuel Tank	4
Governor Spring	4
Head	2
Ignition	5
Kits/Gaskets-Carburetor	3
Kits/Gaskets-Valve	2
Muffler	4
Oil	2
Piston Group	2
Rewind	5
Valves	2

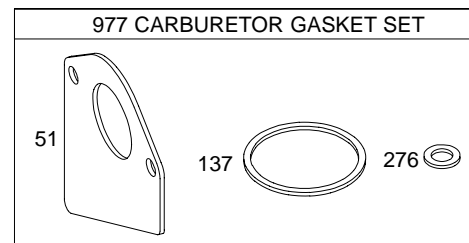
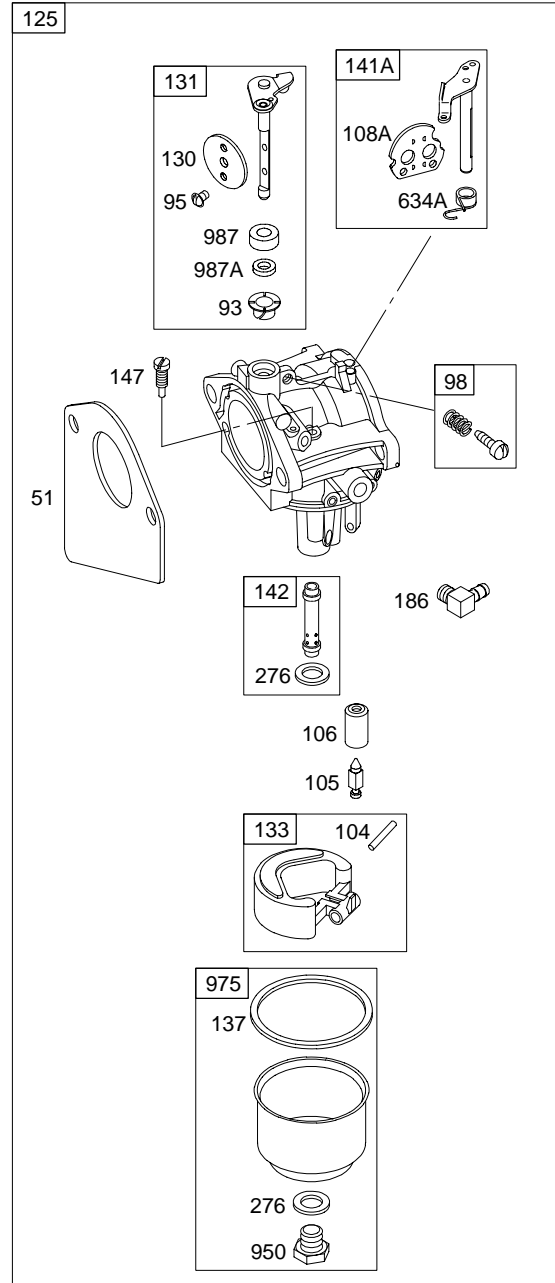
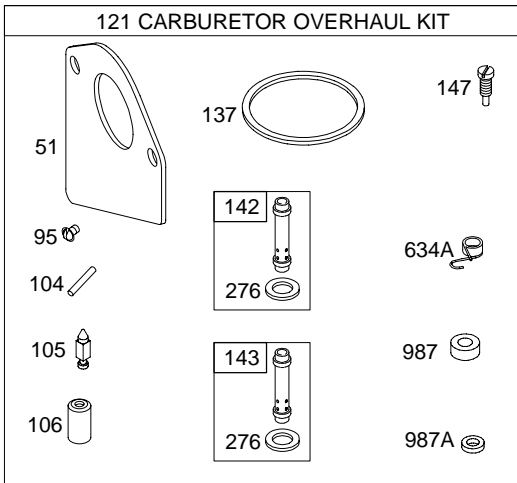
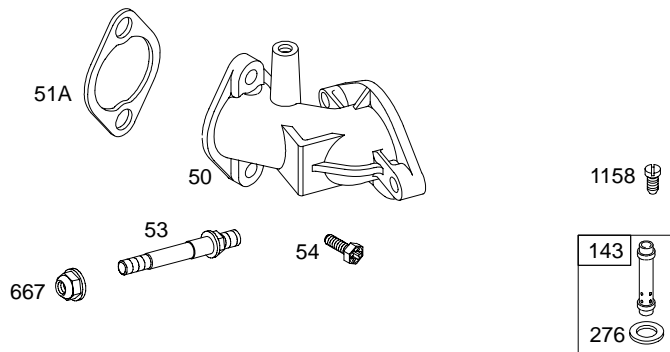
PRINTED IN U.S.A.

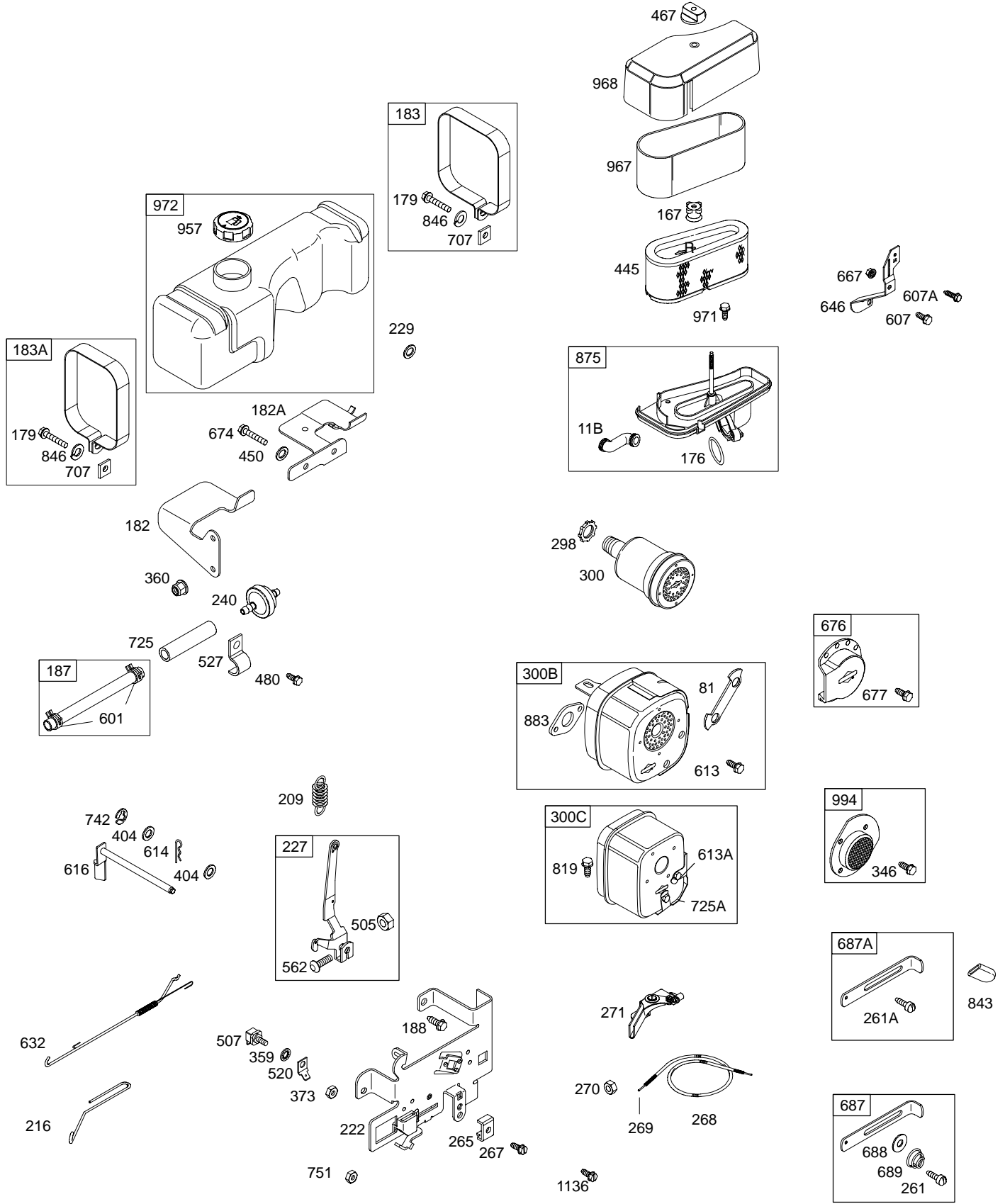


COPYRIGHT by BRIGGS & STRATTON CORPORATION
All rights reserved. No part of this material may be reproduced or transmitted, in any form or by any means, electronic or mechanical, including photocopying, recording or by any information storage and retrieval system, without permission in writing from Briggs & Stratton Corporation.

198700

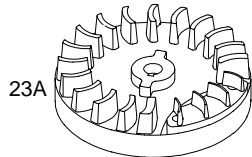
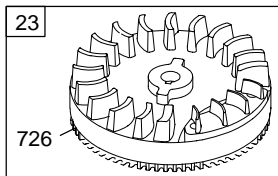
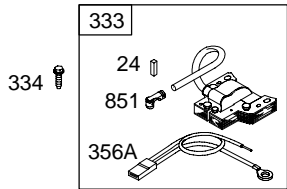
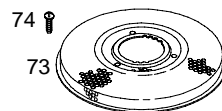
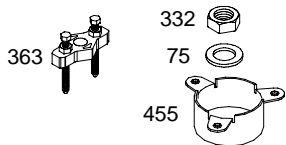
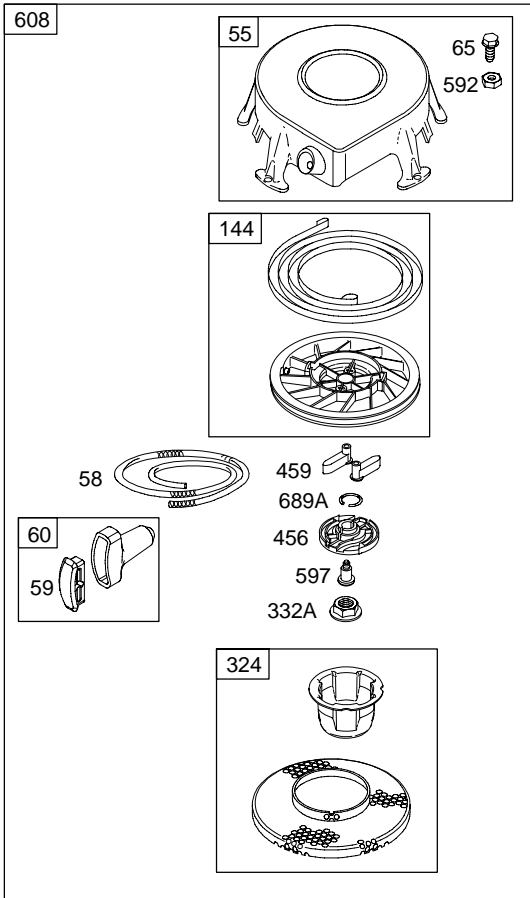
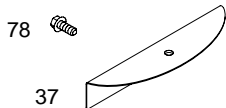
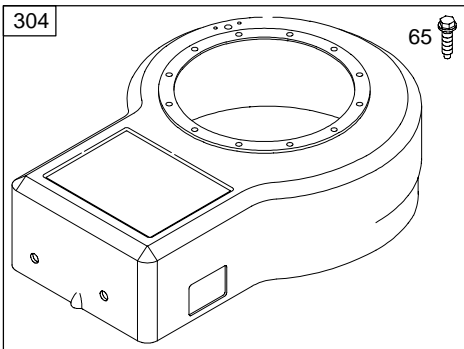
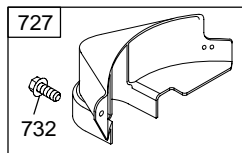
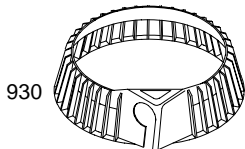
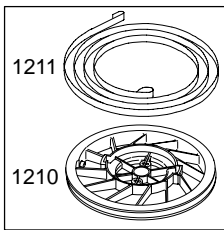


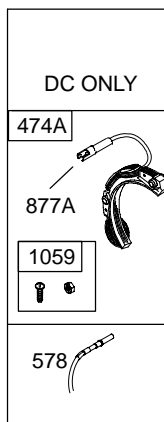




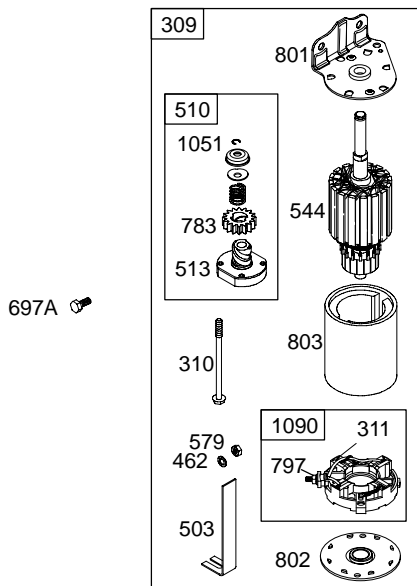
1019 LABEL KIT

1036 EMISSION LABEL





NOTE: ALL OLD STYLE STATORS USE
REFERENCE NUMBER 1119 MOUNTING SCREW



REF. NO.	PART NO.	DESCRIPTION	REF. NO.	PART NO.	DESCRIPTION	REF. NO.	PART NO.	DESCRIPTION
1	495623	Cylinder Assembly	25	499907	Piston Assembly (Standard)	51	◆◆692284	Gasket-Intake (Intake Manifold to Carburetor)
2	495657	Kit-Bushing/Seal (Magneto Side)			————— Note —————	51A	∅◆272554	Gasket-Intake (Intake Manifold to Cylinder)
3	★391086	Seal-Oil (Magneto Side)			499908 Piston Assembly (.010" Oversize)	53	690227	Stud (Carburetor)
4	392548	Sump-Engine			499909 Piston Assembly (.020" Oversize)	54	93208	Screw (Intake Manifold)
5	691715	Head-Cylinder			499910 Piston Assembly (.030" Oversize)	55	693904	Housing-Rewind Starter
7	∅★272163	Gasket-Cylinder Head	26	499921	Ring Set (Standard)	58	693389	Rope-Starter (70" Long)
8	495735	Breather Assembly			————— Note —————	59	490653	Insert-Grip
9	∅★27803	Gasket-Breather			299743 Ring Set (Standard) (Chrome)	60	490652	Grip-Starter Rope
10	691666	Screw (Breather Assembly)			690018 Ring Set (.010" Oversize)	65	690759	Screw (Rewind Starter)
11	692293	Tube-Breather			690019 Ring Set (.020" Oversize)	73	691748	Screen-Rotating
11B	692253	Tube-Breather			690020 Ring Set (.030" Oversize)	74	691655	Screw (Rotating Screen)
12	★692221	Crankcase Gasket (.015" Thick) (Standard)	27	690975	Lock-Piston Pin	75	690582	Washer (Flywheel)
		————— Note —————	28	499302	Pin-Piston (Standard)	78	690364	Screw (Flywheel Guard)
		★27876 Gasket-Crankcase (.005" Thick)			————— Note —————	81	691729	Lock-Muffler Screw
		★27877 Gasket-Crankcase (.009" Thick)			499303 Pin-Piston (.005" Oversize)	93	690602	Bushing-Throttle Shaft
13	691651	Screw (Cylinder Head) (2 5/8" Long)	29	390402	Rod-Connecting (Standard)	95	◆691636	Screw (Throttle Valve)
13A	690904	Screw (Cylinder Head) (3" Long)			————— Note —————	98	495800	Kit-Idle Speed
14	691690	Stud (Cylinder Head) (Used in Position 5 and 6)			390773 Rod-Connecting (.020" Undersize)	104	◆690525	Pin-Float Hinge
15	690946	Plug-Oil Drain	31	222114	Lock-Rod Screw	105	◆231855	Valve-Float Needle
15A	691680	Plug-Oil Drain (Used on Type No(s). 0141.)	32	690352	Screw (Connecting Rod)	106	◆690577	Seat-Inlet
16	694054	Crankshaft	33	691794	Valve-Exhaust	108A	692344	Valve-Choke (Choke A Matic)
19	295963	Kit-Bushing/Seal (PTO Side)	34	261055	Valve-Intake	111	691679	Pin-Retainer
20	★391086	Seal-Oil (PTO Side)	35	691605	Spring-Valve (Intake)	121	497535	Kit-Carburetor Overhaul
22	691625	Screw (Crankcase Cover/Sump)	36	691597	Spring-Valve (Exhaust)	125	692684	Carburetor
22A	691103	Screw (Crankcase Cover/Sump) (Used In Position 1)	37	690411	Guard-Flywheel			————— Note —————
23	691354	Flywheel (Electric Start)	40	690656	Retainer-Valve (Intake)			696461 Carburetor (Used on Type No(s). 0143, 0144.)
23A	690615	Flywheel (Rewind Start)	40A	691939	Retainer-Valve (Exhaust)	130	690468	Valve-Throttle
24	222698	Key-Flywheel	42	494553	Keeper-Valve (Exhaust)	131	494885	Kit-Throttle Shaft
			43	691980	Slinger-Governor/Oil	133	494381	Float-Carburetor
			45	691793	Tappet-Valve	137	◆◆281165	Gasket-Float Bowl
			46	691167	Camshaft	141A	495931	Kit-Choke Shaft (Choke A Matic)
			50	691711	Manifold-Intake	142	◆690121	Nozzle-Carburetor (Standard)
						143	◆692688	Nozzle-Carburetor (High Altitude)
						144	697843	Pulley/Spring Assembly

★ Included in Engine Gasket Set-Ref. No.358.

● Included in Carburetor Overhaul Kit-Ref. No. 121.

◆ Included in Carburetor Gasket Set-Ref. No. 977.

∅ Included in Valve Gasket Set-Ref. No 1095.

198700

REF. NO.	PART NO.	DESCRIPTION	REF. NO.	PART NO.	DESCRIPTION	REF. NO.	PART NO.	DESCRIPTION
146	690979	Key-Timing	300	393010	Muffler	450	691261	Washer
147	◆497472	Jet-Pilot			Used on Type No(s). 0143, 0144.			(Fuel Tank Bracket)
167	692297	Seal-Air Cleaner Nut	300B	692304	Muffler	455	691173	Cup-Flywheel
176	★691917	Seal-O Ring (Air Cleaner Base)			Used on Type No(s). 0145.	456	692299	Plate-Pawl Friction
179	692331	Screw (Fuel Tank Strap)	300C	494222	Muffler	459	281505	Pawl-Ratchet
182	691214	Bracket-Fuel Tank (Right Hand)			Used on Type No(s). 0141.	462	691261	Washer (Starter Cable)
182A	692867	Bracket-Fuel Tank (Left Hand)	304	496832	Housing-Blower (Rewind Starter)	467	691668	Knob-Air Cleaner
183	692960	Strap-Fuel Tank (Right Hand)			Note	474A	696578	Alternator (DC Only)
183A	692030	Strap-Fuel Tank (Left Hand)			496439 Housing- Blower (Electric Starter)	480	690664	Screw (Tube Clamp)
186	692317	Connector-Hose (Used Before Code Date 01031900).	305	692198	Screw (Blower Housing)	503	691532	Strap-Starter
187	296004	Line-Fuel (Cut to Required Length)	306	496797	Shield-Cylinder	505	691251	Nut (Governor Control Lever)
188	691693	Screw (Control Bracket)	306A	224898	Shield-Cylinder	507	691972	Insulator
209	690480	Spring-Governor (Red)	307	691003	Screw (Cylinder Shield)	510	497606	Drive-Starter
216	690573	Link-Choke	308	691201	Cover-Cylinder Head	513	692024	Clutch-Drive
222	694042	Bracket-Control	309	693054	Motor-Starter	520	691084	Terminal-Ground
227	691374	Lever-Governor Control	310	690323	Bolt (Starter Motor)	523	691387	Dipstick
229	691261	Washer (Fuel Tank)	311	497608	Brush Set	524	★281370	Seal-Dipstick Tube
240	298090	Filter-Fuel	324	695160	Screen/Cup Assembly (Used After Code Date 99022800).	525	692963	Tube-Dipstick
261	690278	Screw (Control Slide)	332	690662	Nut (Flywheel)	527	690394	Clamp-Tube
261A	697176	Screw (Control Slide)	332A	693899	Nut (Flywheel)	544	692034	Armature-Starter
265	691024	Clamp-Casing	333	398811	Armature-Magneto	552	491986	Bushing-Governor Crank
267	690804	Screw (Casing Clamp)	334	691061	Screw (Magneto Armature)	562	691119	Bolt (Governor Control Lever)
268	691025	Casing-Control Wire (Cut to Required Length)	337	802592	Plug-Spark	578	692306	Wire Assembly
269	691026	Wire-Control (Cut to Required Length)	346	690661	Screw (Spark Arrester)	579	691029	Nut (Starter Cable)
270	691027	Nut (Control Wire Casing)	356A	398808	Wire-Stop	592	690800	Nut (Starter Rewind)
271	691028	Lever-Control	356B	690799	Wire-Stop	597	691696	Screw (Pawl Friction Plate)
276	◆692255	Washer-Sealing	358	299577	Gasket Set-Engine	601	95162	Clamp-Hose
298	690453	Locknut-Muffler/Elbow	359	691077	Washer (Ground Terminal)	607	690703	Screw (Air Cleaner Brace) (13/32" Long)
			360	691105	Nut (Fuel Tank Bracket)	607A	691693	Screw (Air Cleaner Brace) (3/8" Long)
			363	19165	Puller-Flywheel	608	693900	Starter-Rewind
			373	691612	Nut (Ground Terminal)	613	691632	Screw (Muffler)
			383	89838	Wrench-Spark Plug	613A	691351	Screw (Muffler)
			404	691691	Washer (Governor Crank)	614	691620	Pin-Cotter
			441	690593	Bracket-Oil Fill	615	93307	Retainer-Governor Shaft
			445	691667	Filter-Air Cleaner Cartridge	616	692012	Crank-Governor
			449	690664	Screw (Oil Fill Bracket)	632	693663	Spring/Link- Mechanical Governor
						634A	◆690802	Spring/Seal Assembly (Choke A Matic)

★ Included in Engine Gasket Set-Ref. No.358.

● Included in Carburetor Overhaul Kit-Ref. No. 121.

◆ Included in Carburetor Gasket Set-Ref. No. 977.

⊘ Included in Valve Gasket Set-Ref. No 1095.

REF. NO.	PART NO.	DESCRIPTION	REF. NO.	PART NO.	DESCRIPTION	REF. NO.	PART NO.	DESCRIPTION
635	66538	Boot–Spark Plug	801	691283	Cap–Drive	1036	696769	Label–Emissions (Used After Code Date 01093000).
646	690465	Brace–Air Cleaner	802	691286	Cap–End			
667	690958	Nut (Air Cleaner Brace)	803	693757	Housing–Starter			
674	691058	Screw (Fuel Tank Bracket) (3/4" Long)	819	690810	Screw (Muffler Bracket)			————— Note —————
		————— Note —————	842	★691870	Seal–O Ring (Dipstick/Tube)			695697 Label– Emissions (Used Before Code Date 01100100 and After Code Date 00063000).
		690341 Screw (Fuel Tank Bracket) (7/8" Long)	843	697158	Sleeve–Lever Used on Type No(s). 0143, 0144.			695096 Label– Emissions (Used Before Code Date 00070100 and After Code Date 99093000).
676	393757	Deflector–Muffler (Side Out)	846	90832	Washer (Fuel Tank Strap)			694305 Label– Emissions (Used Before Code Date 99100100 and After Code Date 98123100).
677	690661	Screw (Muffler Deflector)	847	392066	Dipstick/Tube Assembly			499356 Label– Emissions (Used Before Code Date 99010100 and After Code Date 97052500).
687	691949	Slide–Control	851	493880	Terminal–Spark Plug			
687A	697175	Slide–Control	868	692036	Seal–Valve	1051	691265	Ring–Retaining
688	690395	Cap–Friction	869	691703	Seat–Valve (Intake)	1054	280275	Tie–Cable
689	690529	Spring–Friction	870	691844	Seat–Valve (Exhaust)	1058	274787	Owner’s Manual (Emission)
689A	691855	Spring–Friction	871	261961	Bushing–Valve Guide (Exhaust)	1059	698516	Kit–Screw/Washer (Alternator)
691	692407	Seal–Governor Shaft			————— Note —————	1090	691293	Retainer–Brush
692	690572	Spring–Detent			231218 Bushing–Valve Guide (Intake)	1095	498536	Gasket Set–Valve
697A	690372	Screw (Drive Cap)				1119	691183	Screw (Alternator)
707	690279	Nut (Fuel Tank Strap)	875	693670	Base–Air Cleaner	1136	690278	Screw (Control Bracket) (High Speed Control)
709	691268	Eccentric	877A	393814	Wire/Connector– Alternator (DC Only)	1158	695659	Screw (Carburetor Plug)
718	690959	Pin–Locating				1210	498144	Pulley/Spring Assembly (Pulley) (Used After Code Date 00082000 and Before Code Date 01051100).
725	690403	Shield–Heat	883	◇★692237	Gasket–Exhaust			
725A	690433	Shield–Heat (Super Lo Tone)	930	691904	Guard–Rewind			
726	399676	Gear–Ring (Includes Mounting Hardware)	950	691657	Screw–Float Bowl			
727	395405	Cover–Starter Drive	957	493988	Cap–Fuel Tank			
729	690603	Clip–Wire	967	272477	Filter–Pre Cleaner			
732	691097	Screw (Starter Drive Cover)	968	691324	Cover–Air Cleaner			
741	691288	Gear–Timing	971	692126	Screw (Air Cleaner Base to Carburetor)			
751	691077	Washer (Stop Wire)	972	390225	Tank–Fuel			
757	691714	Link–Counterweight	975	495933	Bowl–Float			
758	690619	Counterweight	977	494385	Gasket Set–Carburetor			
759	691239	Pin–Counterweight	987	●691326	Seal–Throttle Shaft			
761	690346	Screw (Counterweight)	987A	●692001	Seal–Throttle Shaft			
783	693059	Gear–Pinion	994	399541	Arrestor–Spark			
797	693167	Nut (Brush Retainer)	1019	696491	Kit–Label			

★ Included in Engine Gasket Set–Ref. No.358.

● Included in Carburetor Overhaul Kit–Ref. No. 121.

◆ Included in Carburetor Gasket Set–Ref. No. 977.

◇ Included in Valve Gasket Set–Ref. No. 1095.