

Illustrated Parts List

Model Series

19C400 to 19C499

TYPE NUMBERS
0056.

TO FIND
THE CORRECT NUMBER OF THE PART YOU NEED:
FOLLOW THE INSTRUCTIONS BELOW

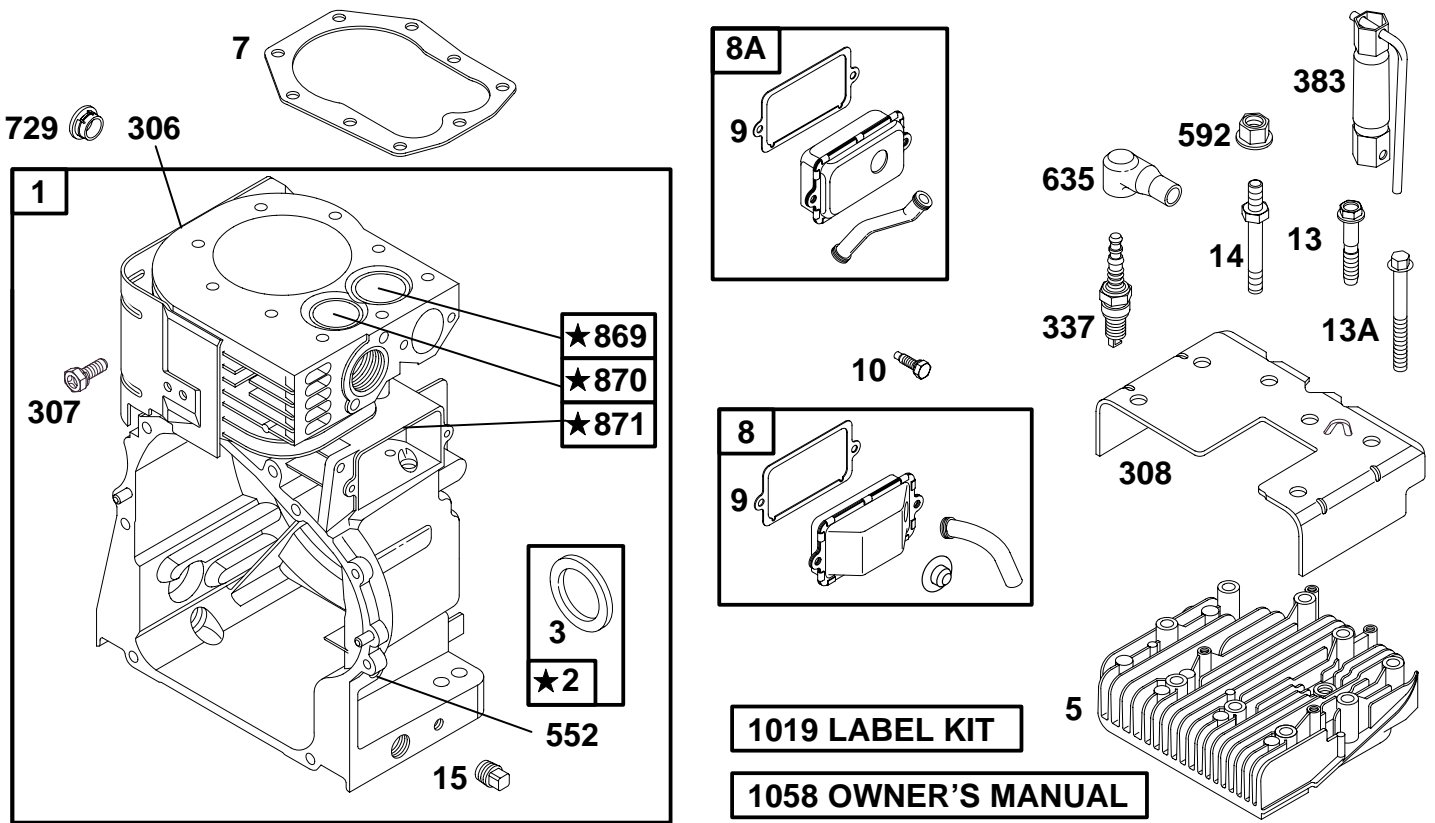
- A. Refer to Engine Model, Type and Code Number that is stamped on the blower housing of engine. Engine type numbers such as 0123 01 are listed only as 0123 in most instances. The two digits (01 or 02, etc.) to the right of the space may be required for more accurate parts identification in some instances. Select the Illustrated Parts List covering the correct Model Series and Type Number.
- B. Refer to the Illustrations and compare the original part with Illustration. The number next to the illustration is the Reference Number. Assemblies include all parts shown in frames. All parts shown in assembly frames having individual reference numbers can be purchased separately.
- C. After the Reference Number has been identified, refer to the Numerical text, where Reference and Primary Part Number are listed. **THE PRIMARY PART IS USED ON ALL TYPE NUMBERS EXCEPT THOSE TYPE NUMBERS UNDER "NOTE."**
- D. If a "Note" appears below the Primary Part Number, it means that this part differs from the Primary Part for certain types. If your Type number is listed under "Note," order the part referred to at the "Note."
- E. If your Engine Type Number does not appear after any part number listed under "Note," use the Primary Part Number.
- F. For Engine Type Numbers not covered by this book, check other Parts Lists having the same engine model or contact your source of supply.

PRINTED IN U.S.A.



COPYRIGHT by BRIGGS & STRATTON CORPORATION
All rights reserved. No part of this material may be reproduced or transmitted, in any form or by any means, electronic or mechanical, including photocopying, recording or by any information storage and retrieval system, without permission in writing from Briggs & Stratton Corporation.

19C400 to 19C499

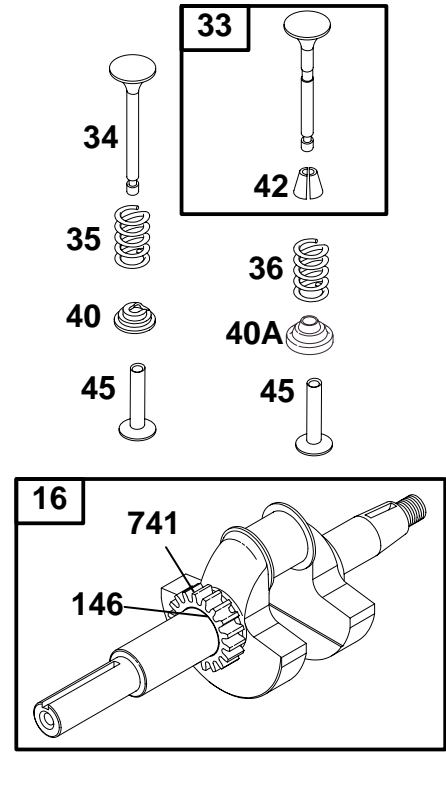
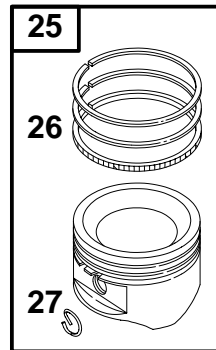
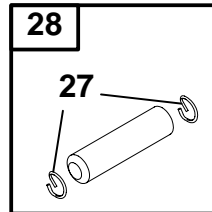
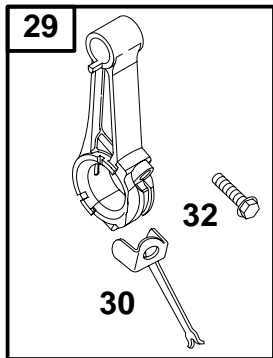


★ **REQUIRES SPECIAL TOOLS TO INSTALL.
SEE REPAIR INSTRUCTION MANUAL.**

REF. NO.	PART NO.	DESCRIPTION	REF. NO.	PART NO.	DESCRIPTION	REF. NO.	PART NO.	DESCRIPTION
1	495656	Cylinder Assembly (Includes OIL GARD® Cover)	13A	94622	Screw-Hex. (3" Long)	635	66538	Boot-Spark Plug
2	495657	Bushing	14	94926	Stud-Hex. Drive	729	281396	Clip-Wire
3	★391086	Seal-Oil	15	94239	Plug-Oil Drain	869	211661	Seat-Valve (Intake)
5	214347	Head-Cylinder	Note			870	262924	Seat-Valve (Exhaust)
7	★272163	Gasket-Cylinder Head	306	496797	Shield-Cylinder	871	261961	Bushing-Guide (Exhaust Valve)
8	497710	Breather Assembly	307	94930	Screw-Hex.	Note		
8A	498038	Breather Assembly	308	225055	Cover-Cylinder	231218		Bushing-Guide (Intake Valve)
9	★27803	Gasket-Breather	337	496018	Plug-Spark	1019	497156	Label Kit
10	94621	Screw-Hex.	383	89838	Wrench-Spark Plug	1058	272848	Owner's Manual
13	94565	Screw-Hex. (3 9/16" Long)	552	491986	Bushing-Gov. Crank			
			592	94726	Nut-Hex.			

★ Included in Gasket Set-Part No. 497070.
● Included in Carburetor Kit-Part No. 497578.

◆ Included in Carburetor Gasket Set-Part No. 497069.

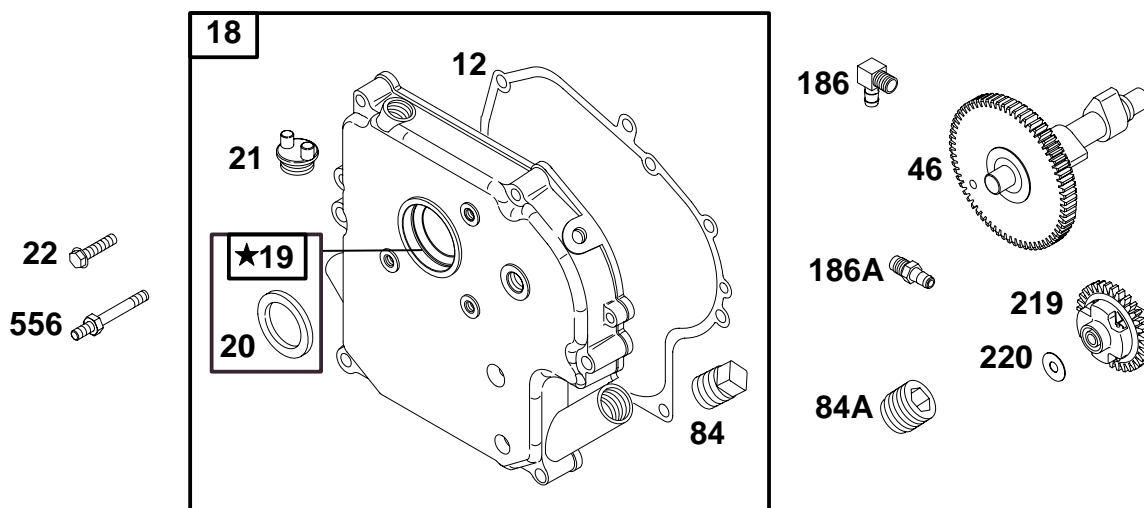


REF. NO.	PART NO.	DESCRIPTION	REF. NO.	PART NO.	DESCRIPTION	REF. NO.	PART NO.	DESCRIPTION
16	495790	Crankshaft	27	263181	Lock-Piston Pin	40	221596	Retainer-Valve
17	29530	Bearing-Ball	28	499302	Pin-Piston (Standard)	40A	292260	Retainer-Valve
25	499960	Piston Assembly (Standard)			———— Note ————	42	494553	Keeper-Valve
		———— Note ————			295841 Pin-Piston (.005" O.S.)	45	260933	Tappet-Valve
		499961 Piston Assy. (.010" O.S.)	29	390401	Rod-Connecting (Standard)	146	94388	Key-Timing
		499962 Piston Assy. (.020" O.S.)			———— Note ————	741	263025	Gear-Timing
		499963 Piston Assy. (.030" O.S.)			390773 Rod-Conn. (.020" Undersize)			
26	393881	Ring Set (Standard)	30	222113	Dipper-Connecting Rod			
		———— Note ————	32	94670	Screw-Connecting Rod			
		299743 Ring Set (Std., Chrome)	33	390420	Valve-Exhaust			
		690015 Ring Set (.010" O.S.)	34	261055	Valve-Intake			
		960016 Ring Set (.020" O.S.)	35	65906	Spring-Valve (Intake)			
		960017 Ring Set (.030" O.S.)	36	26828	Spring-Valve (Exhaust)			

★ Included in Gasket Set-Part No. 497070.
● Included in Carburetor Kit-Part No. 497578.

◆ Included in Carburetor Gasket Set-Part No. 497069.

19C400 to 19C499

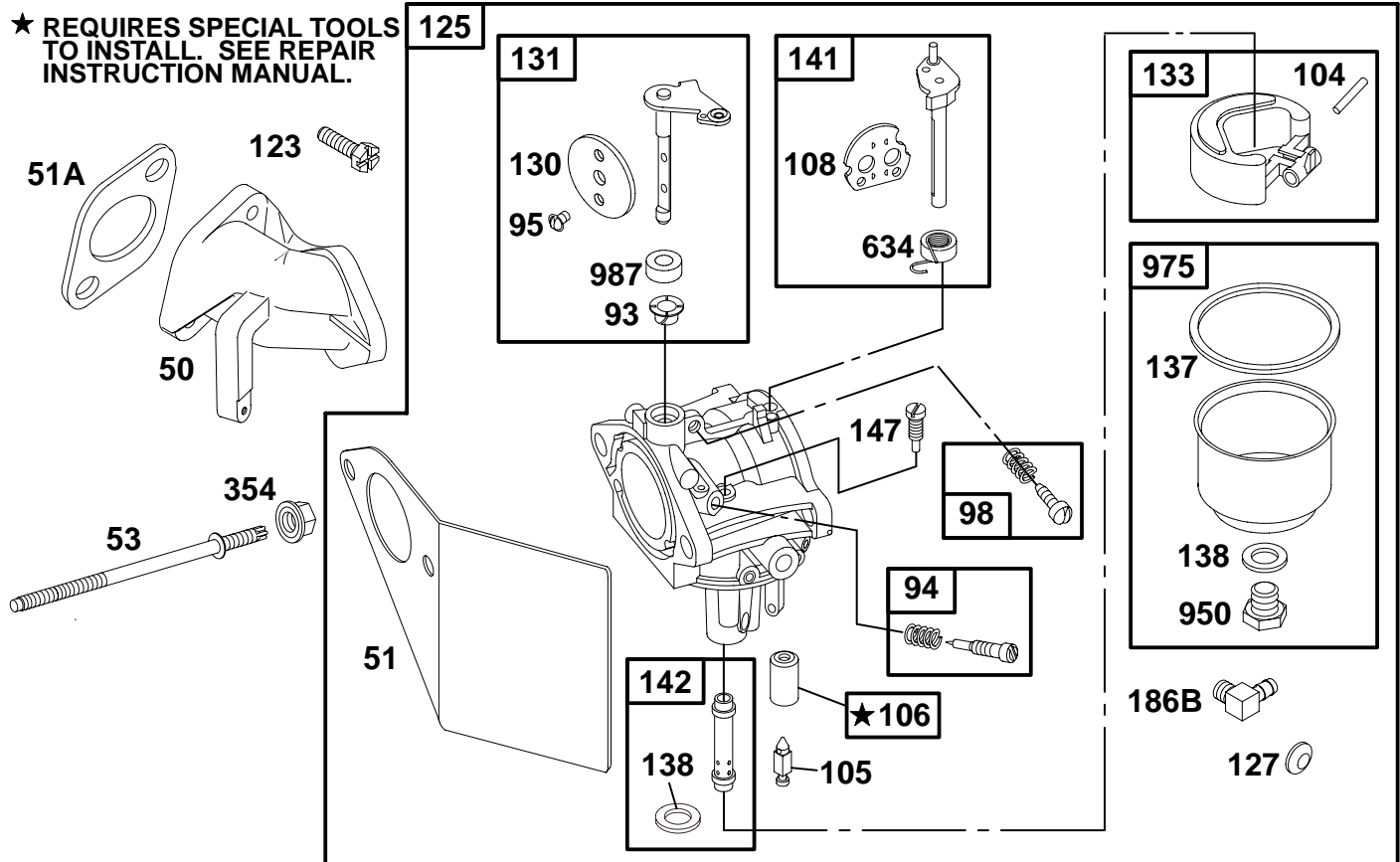


REF. NO.	PART NO.	DESCRIPTION	REF. NO.	PART NO.	DESCRIPTION	REF. NO.	PART NO.	DESCRIPTION
12	★271701	Gasket-Crankcase (.015" Thick)	18	496981	Cover-Crankcase	186	67218	Connector-Hose
		Note	19	295964	Bushing	168A	230318	Connector-Hose
	★27876	Gasket-Crankcase (.005" Thick)	20	★391086	Seal-Oil	219	496786	Gear-Governor
	★27877	Gasket-Crankcase (.009" Thick)	21	281658	Cap-Oil Fill	220	221551	Washer Thrust
			22	93585	Screw-Hex.	556	94931	Stud-Hex. Drive
			46	214786	Gear-Cam			
			84	91488	Plug-Oil			
			84A	94497	Plug			

★ Included in Gasket Set-Part No. 497070.
● Included in Carburetor Kit-Part No. 497578.

◆ Included in Carburetor Gasket Set-Part No. 497069.

★ REQUIRES SPECIAL TOOLS TO INSTALL. SEE REPAIR INSTRUCTION MANUAL.

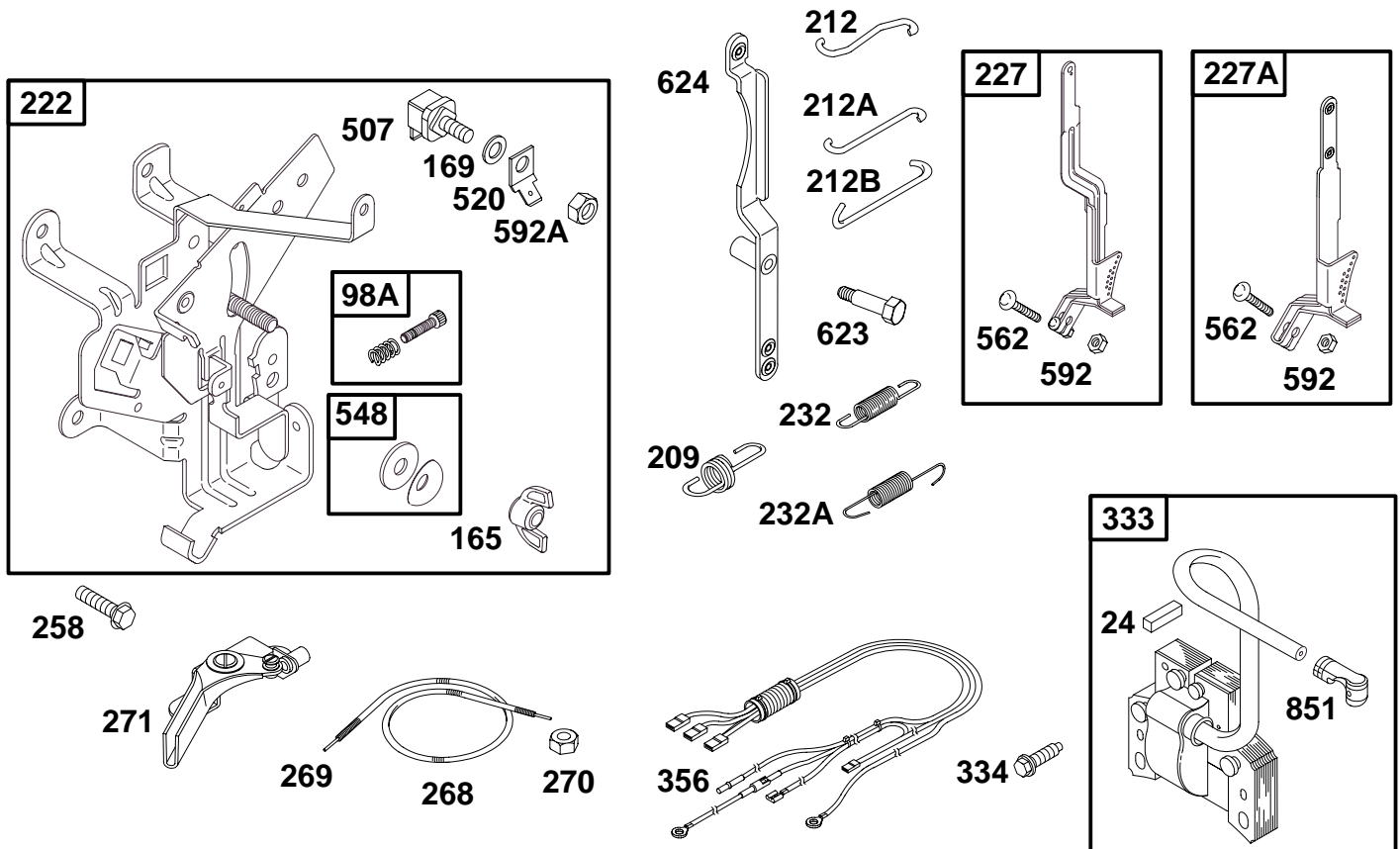


REF. NO.	PART NO.	DESCRIPTION	REF. NO.	PART NO.	DESCRIPTION	REF. NO.	PART NO.	DESCRIPTION
50	214170	Manifold-Intake	123	94913	Screw-Torx® Hex.	142	499094	Nozzle-Carburetor
51	♦272707	Gasket-Intake	125	497581	Carburetor	———— Note ————		
51A	★272708	Gasket-Intake	127	•	Plug-Welch (Sold in Kit Only)	497040	Nozzle-Carb. (High Altitude)	
53	94778	Stud-Carb Mtg.	130	224668	Valve-Throttle	147	♦497472	Jet-Pilot
93	♦281346	Bushing-Throttle Shaft	131	497579	Throttle Shaft Kit	186B	493496	Connector-Hose
94	494383	Valve-Idle Adjustment	133	494381	Float-Carburetor	354	94010	Nut-Lock
95	♦94098	Screw-Choke/Throttle	137	♦♦281165	Gasket-Float Bowl	634	494455	Seal-Spring Assy.
98	495800	Screw-Idle Speed	138	♦♦281164	Washer-Seal	950	94642	Screw-Bowl Mtg.
104	♦231789	Pin-Float Hinge	141	497043	Choke-Shaft Kit	975	495933	Bowl-Float
105	♦231935	Valve-Float Needle				987	♦281166	Seal-Throttle Shaft
106	♦231856	Seat-Inlet						
108	224540	Valve-Choke						

★ Included in Gasket Set-Part No. 497070.
 ♦ Included in Carburetor Kit-Part No. 497578.

♦ Included in Carburetor Gasket Set-Part No. 497069.

19C400 to 19C499

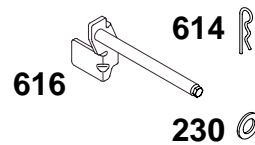
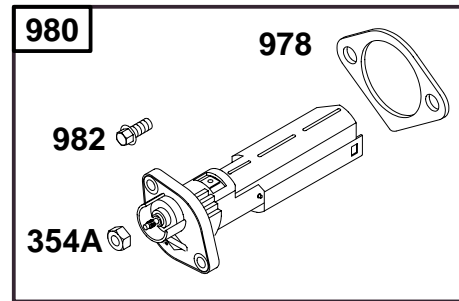
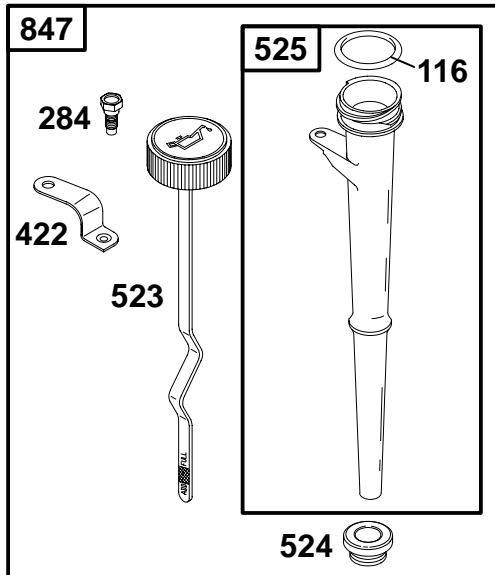


REF. NO.	PART NO.	DESCRIPTION	REF. NO.	PART NO.	DESCRIPTION	REF. NO.	PART NO.	DESCRIPTION	
24	222698	Key-Flywheel	222	499724	Bracket-Control	270	63426	Locknut-Casing	
98A	493280	Screw-Idle Speed			Note	271	290568	Lever-Control	
165	94692	Nut-Wing			499106	Bracket-Control	333	492341	Armature-Magneto
169	92791	Washer-Lock					334	94731	Screw-Hex.
209	263054	Spring-Governor					356	496614	Wire-Stop
		Note					507	398525	Insulator
		263213					520	93722	Terminal
		Spring-Governor	227	496254	Lever-Governor		548	495659	Washer Set
		Used on Type No(s). 0056.	227A	496253	Lever-Governor		562	94907	Bolt-Governor Lever
212	262970	Link-Throttle	232	262959	Spring-Link		592	231978	Nut-Hex.
212A	263051	Link-Throttle	232A	263020	Spring-Link	592A	90576	Nut-Hex.	
212B	263049	Link-Throttle	258	94620	Screw-Hex.	623	231520	Screw-Shoulder	
			268	65616	Casing-Wire (72" Long Cut to Required Length)	624	497207	Lever-Linkage	
			269	26633	Wire-Control (78" Long Cut to Required Length)	851	493880	Terminal-Cable	

★ Included in Gasket Set-Part No. 497070.

● Included in Carburetor Kit-Part No. 497578.

◆ Included in Carburetor Gasket Set-Part No. 497069.

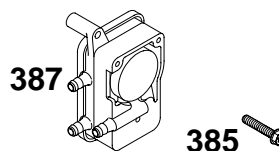
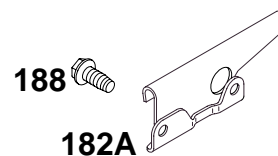
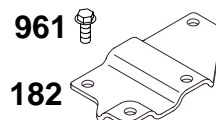
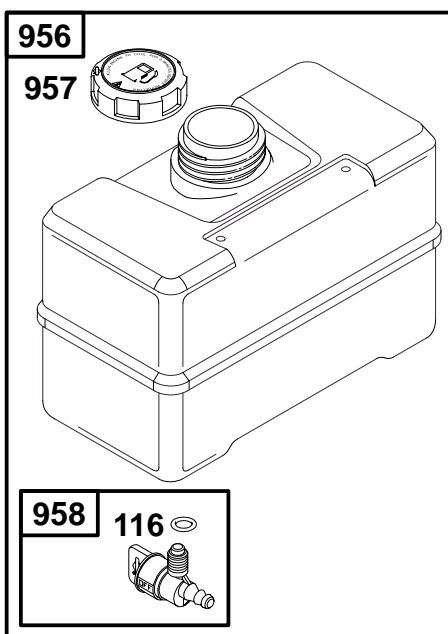
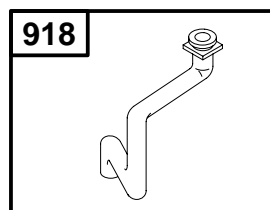
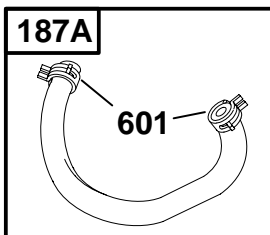
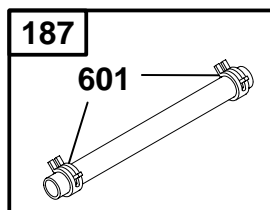


REF. NO.	PART NO.	DESCRIPTION	REF. NO.	PART NO.	DESCRIPTION	REF. NO.	PART NO.	DESCRIPTION
116	★270920	Seal-O-Ring	523	495225	Dipstick	847	399901	Dipstick/Tube Assembly
230	94927	Washer-Flat	524	★281370	Seal-Fill Tube	978	273326	Gasket
284	94984	Screw-Shoulder	525	495347	Tube-Oil Fill	980	398182	OIL GARD® Kit
354A	90576	Nut-Hex.	614	93306	Pin-Cotter	982	94657	Screw-Hex.
422	225218	Bracket-Oil Fill	616	496818	Crank-Governor			

★ Included in Gasket Set-Part No. 497070.
 ● Included in Carburetor Kit-Part No. 497578.

◆ Included in Carburetor Gasket Set-Part No. 497069.

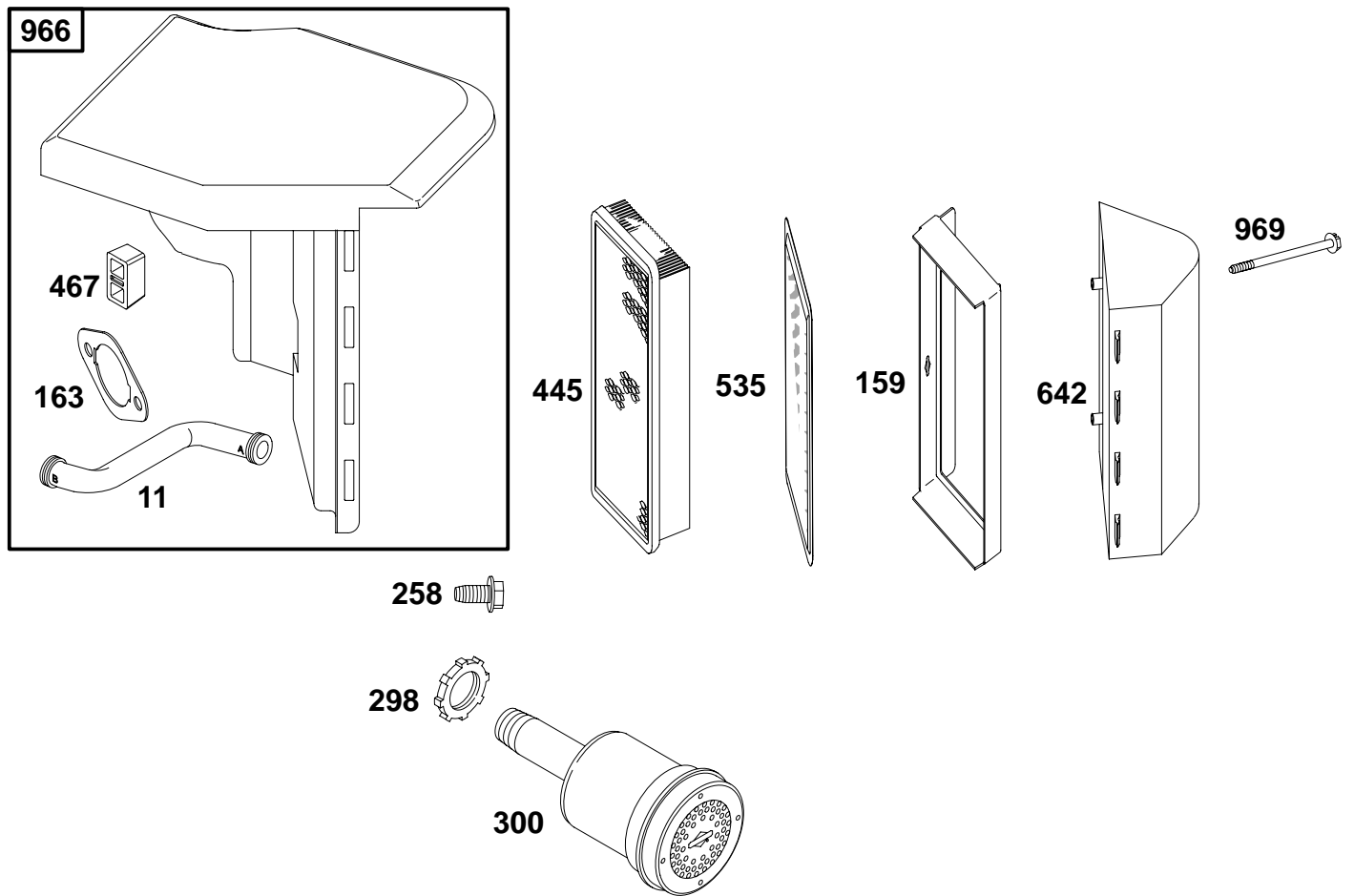
19C400 to 19C499



REF. NO.	PART NO.	DESCRIPTION	REF. NO.	PART NO.	DESCRIPTION	REF. NO.	PART NO.	DESCRIPTION
116	280203	Seal-O-Ring	187A	497029	Line-Fuel	956	493337	Tank-Fuel
182	224854	Bracket-Fuel Tank	188	94627	Screw-Hex.	957	493988	Cap-Fuel Tank Plastic
182A	224855	Bracket-Fuel Tank	385	94789	Screw-Hex.	958	399517	Valve-Shut-Off
187	296004	Line-Fuel (Cut to Required Length)	387	496257	Pump-Fuel	961	94095	Screw-Hex.
			601	95162	Clamp-Hose			
			918	497457	Line-Vacuum (Molded)			

★ Included in Gasket Set-Part No. 497070.
● Included in Carburetor Kit-Part No. 497578.

◆ Included in Carburetor Gasket Set-Part No. 497069.

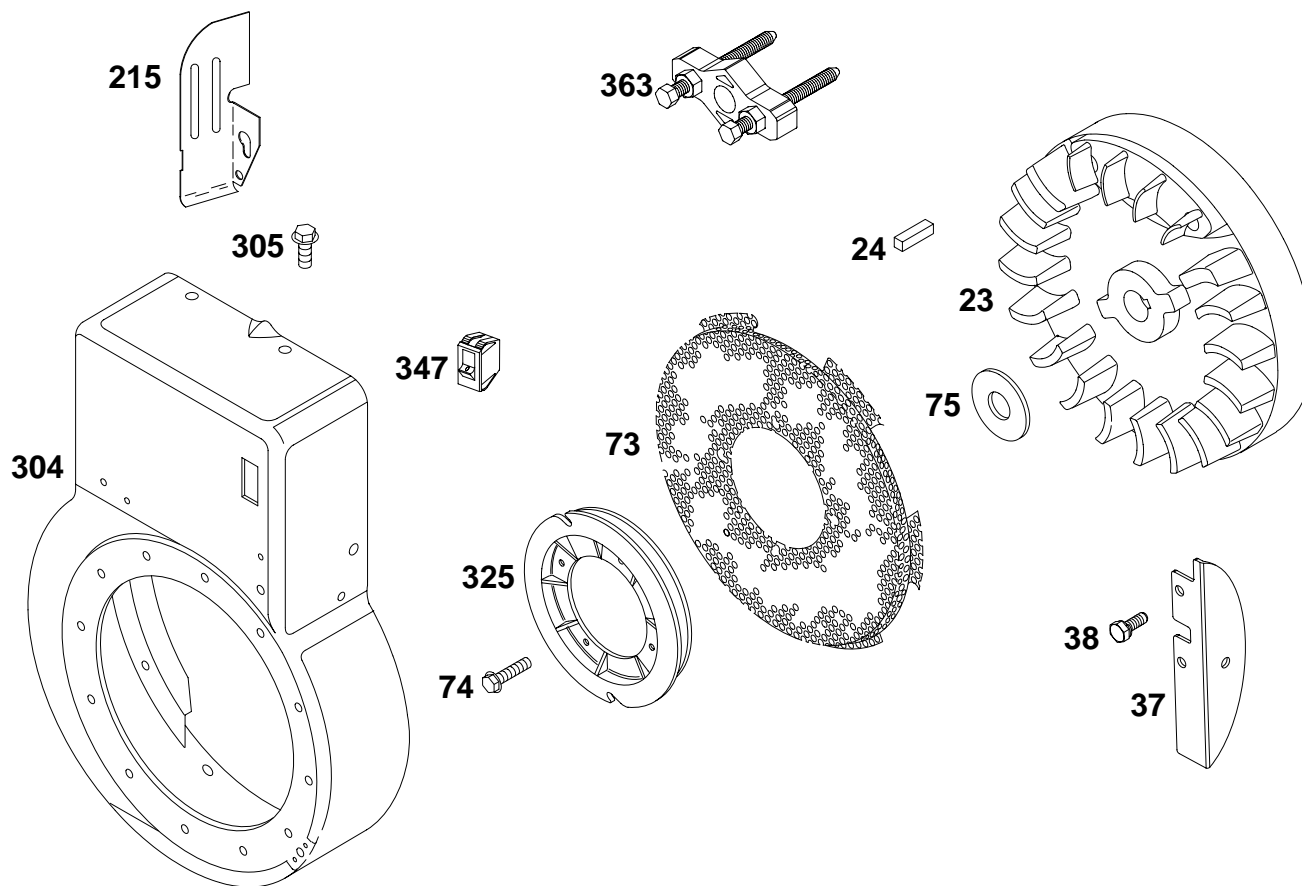


REF. NO.	PART NO.	DESCRIPTION	REF. NO.	PART NO.	DESCRIPTION	REF. NO.	PART NO.	DESCRIPTION
11	280819	Tube-Breather	298	261409	Locknut-Muffler	535	492889	Filter-Pre Cleaner
159	281358	Support-Air Cleaner	300	496127	Muffler-Exhaust	642	281357	Cover-Air Cleaner
163	273101	Gasket-Air Cleaner	445	496077	Filter-Air	966	498544	Base-Air Cleaner
258	94929	Screw-Hex.	467	280715	Knob-Control	969	94777	Screw-Slotted Hex.

★ Included in Gasket Set-Part No. 497070.
 ● Included in Carburetor Kit-Part No. 497578.

◆ Included in Carburetor Gasket Set-Part No. 497069.

19C400 to 19C499

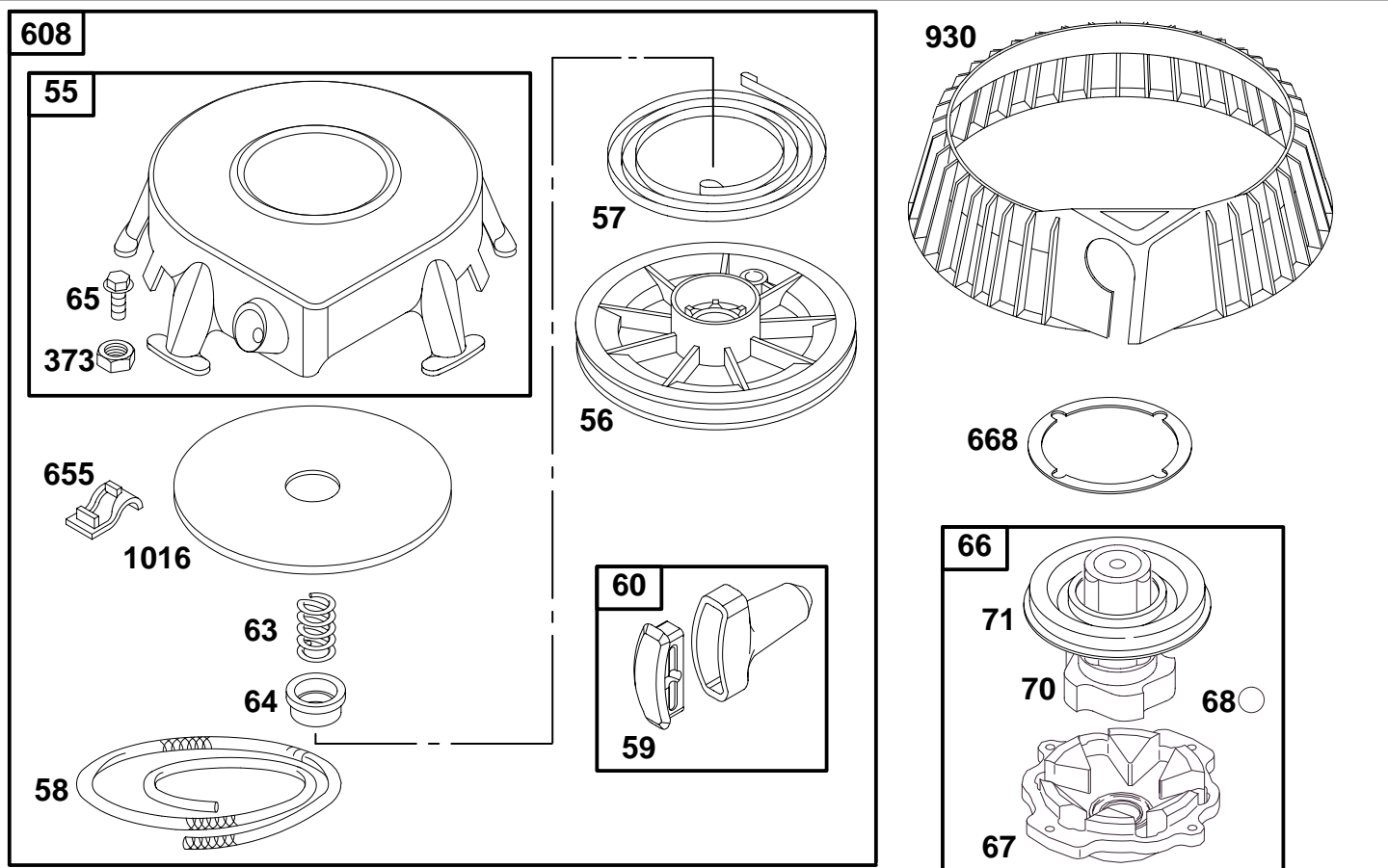


REF. NO.	PART NO.	DESCRIPTION	REF. NO.	PART NO.	DESCRIPTION	REF. NO.	PART NO.	DESCRIPTION
23	298260	Flywheel	74	94928	Screw—Shoulder	325	280457	Pulley—Rope Start
24	222698	Key—Flywheel	75	225136	Washer—Flywheel	347	495098	Switch—Stop
37	222475	Guard—Flywheel	215	221760	Guide—Air	363	19203	Flywheel Puller
38	94811	Screw—Slotted Hex.	304	497142	Housing—Blower			
73	224874	Screen—Rotating	305	94786	Screw—Hex.			

★ Included in Gasket Set—Part No. 497070.

● Included in Carburetor Kit—Part No. 497578.

◆ Included in Carburetor Gasket Set—Part No. 497069.

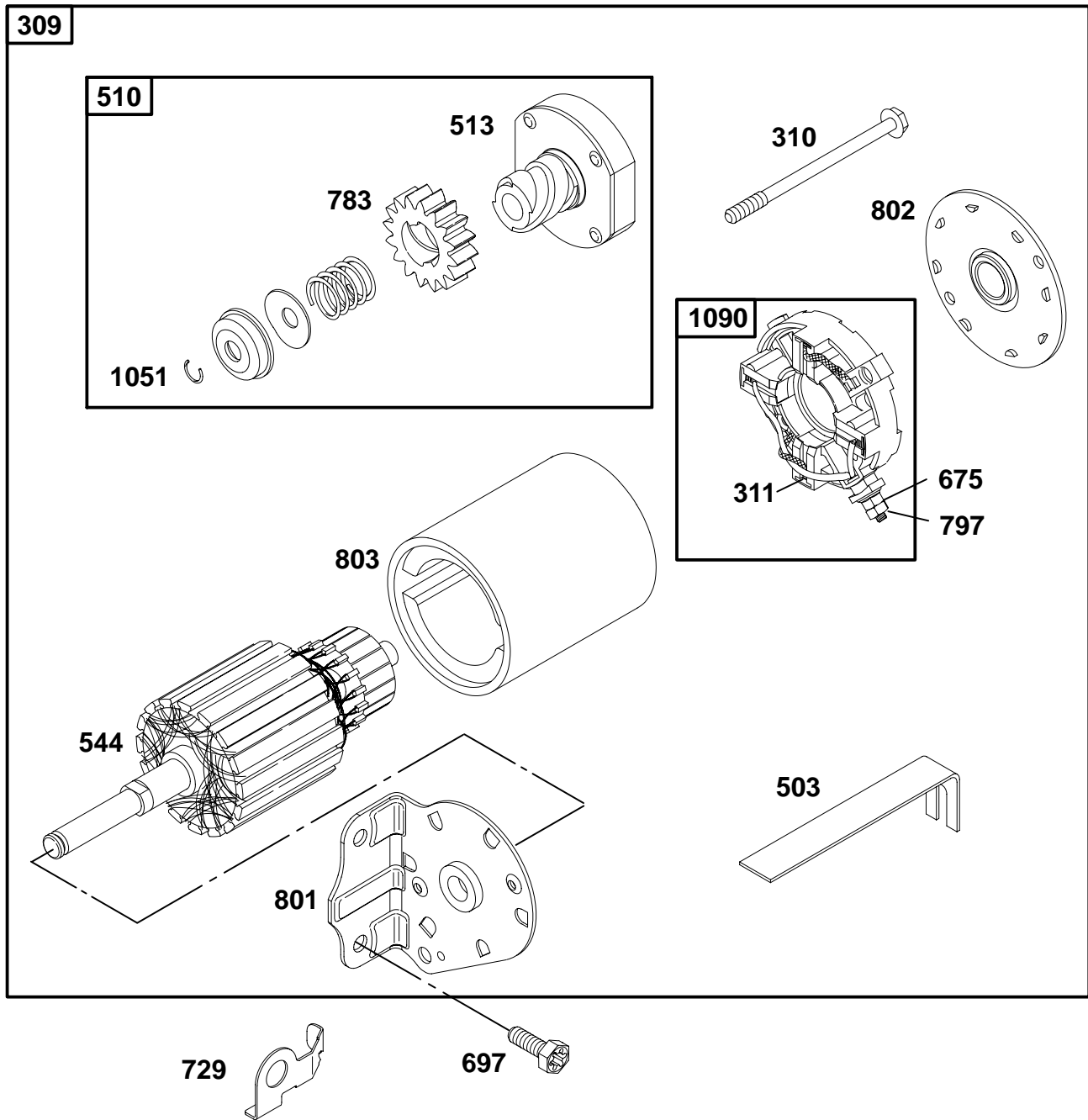


REF. NO.	PART NO.	DESCRIPTION	REF. NO.	PART NO.	DESCRIPTION	REF. NO.	PART NO.	DESCRIPTION
55	393576	Housing-Rewind Starter	63	260414	Spring-Ratchet	71	394506	Cover-Ratchet
56	295871	Pulley-Starter	64	281204	Adapter-Spring	68	390391	Starter-Rewind
57	490179	Spring-Rewind Starter	65	94686	Screw-Hex.	65	222598	Anchor-Rewind Spring
58	66884	Rope-Starter (63" Long)	66	399671	Clutch-Starter	668	225124	Spacer
59	490653	Insert-Grip	67	394897	Housing-Clutch	930	280685	Guard-Rewind
60	490652	Grip-Starter Rope	68	63770	Ball-Clutch	1016	490817	Spacer-Rewind
			70	298799	Ratchet-Clutch			

★ Included in Gasket Set-Part No. 497070.
 ● Included in Carburetor Kit-Part No. 497578.

◆ Included in Carburetor Gasket Set-Part No. 497069.

19C400 to 19C499

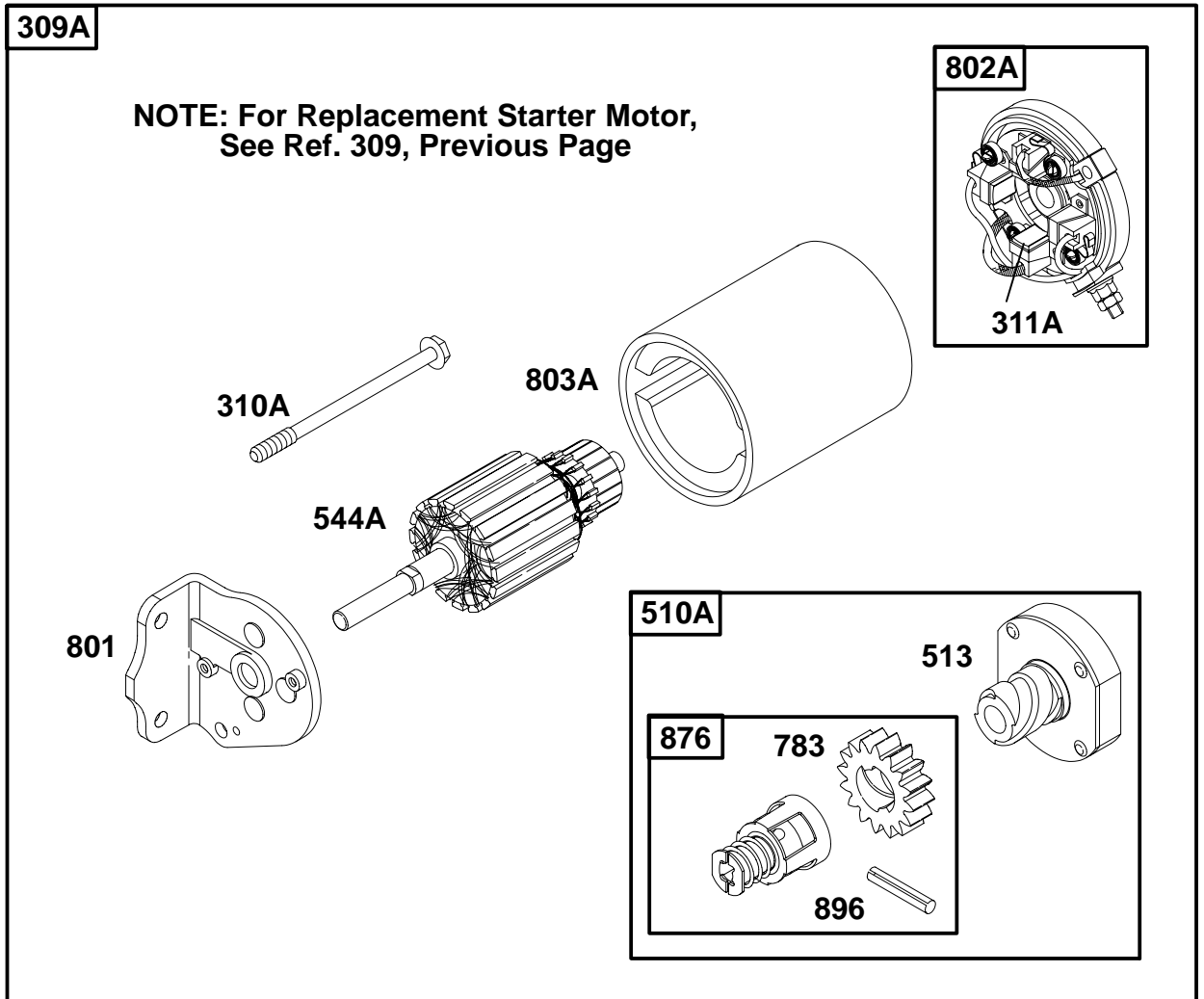


REF. NO.	PART NO.	DESCRIPTION	REF. NO.	PART NO.	DESCRIPTION	REF. NO.	PART NO.	DESCRIPTION
309	693054	Motor-Starter (3 5/8" Housing Lgth.)	544	497603	Armature-Starter (3 5/8" Housing Lgth.)	797	92278	Nut (Starter Terminal)
310	94003	Bolt (Starter Motor) (3 5/8" Housing Lgth.)	675	225137	Washer (Starter Motor)	801	394856	Cap-Drive
311	497608	Brush Set	697	94773	Screw (Starter Motor Mounting)	802	497607	Cap-End
503	806000	Strap-Starter	729	225170	Clip-Wire	803	497604	Housing-Starter (3 5/8" Housing Lgth.)
510	497606	Drive-Starter	783	693059	Gear-Starter	1051	263080	Ring-Retainer
513	398003	Clutch-Drive				1090	497605	Retainer-Brush

★ Included in Gasket Set-Part No. 497070.

● Included in Carburetor Kit-Part No. 497578.

◆ Included in Carburetor Gasket Set-Part No. 497069.

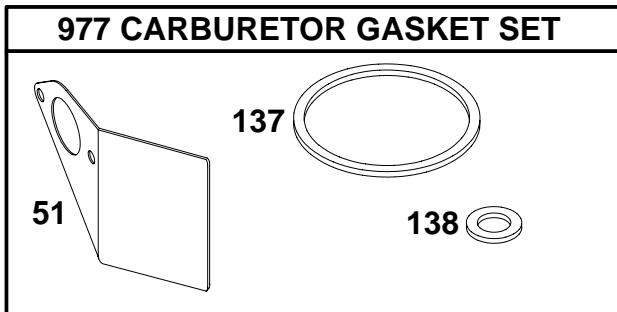
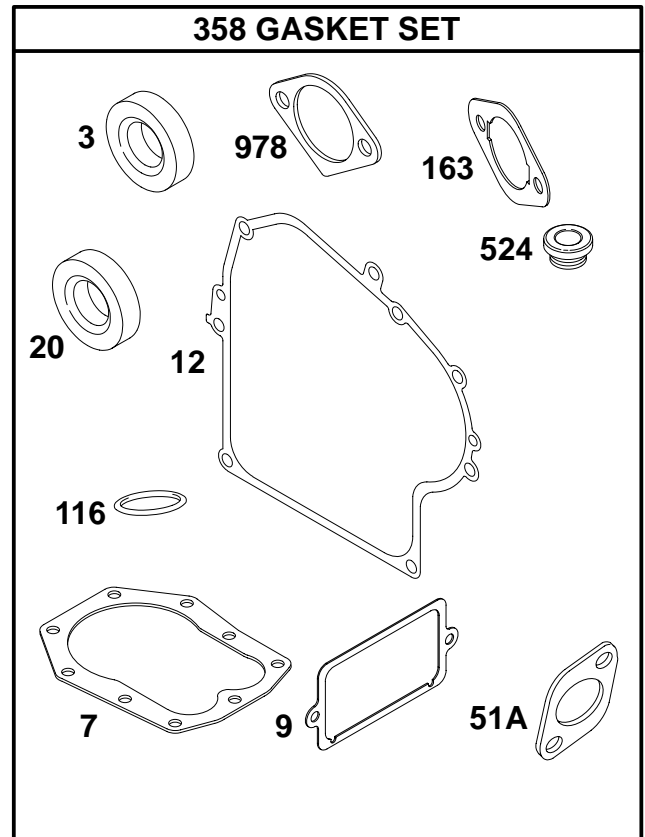
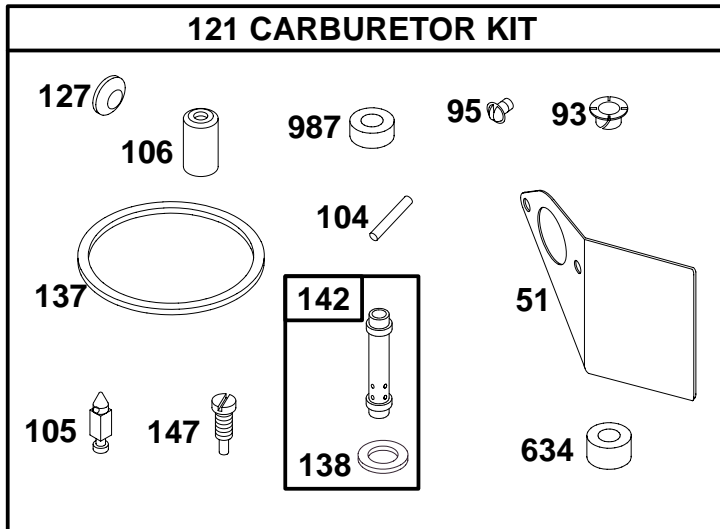


REF. NO.	PART NO.	DESCRIPTION	REF. NO.	PART NO.	DESCRIPTION	REF. NO.	PART NO.	DESCRIPTION
309A		For Replacement Starter Motor, See Ref 309, Previous Page.	503	806000	Strap–Starter	783	693059	Gear–Starter
			510A	495878	Drive–Starter	801	394856	Cap–Drive
			513	398003	Clutch–Drive	802A	395537	Cap–End (For 3 5/8" Housing Length)
310A	94003	Bolt. (Starter Motor) (For 3 5/8" Housing Length)	544A	390837	Armature–Starter (For 3 5/8" Housing Length)	803A	398159	Housing–Starter (For 3 5/8" Housing Length)
311A	395538	Brush Set (For 3 5/8" Housing Lengths)	697	94773	Screw (Starter Motor Mounting)	876	495877	Kit–Gear
						896	94288	Pin–Roll

★ Included in Gasket Set–Part No. 497070.
 ● Included in Carburetor Kit–Part No. 497578.

◆ Included in Carburetor Gasket Set–Part No. 497069.

19C400 to 19C499



REF. NO.	PART NO.	DESCRIPTION	REF. NO.	PART NO.	DESCRIPTION	REF. NO.	PART NO.	DESCRIPTION
3	★391086	Seal—Oil	20	★391086	Seal—Oil	138	●★281164	Washer—Seal
7	★272163	Gasket—Cylinder Head	51	●★272707	Gasket—Intake	142	●★499042	Nozzle—Carburetor
9	★27803	Gasket—Breather	51A	★272708	Gasket—Intake	147	●★497472	Jet—Pilot
12	★271701	Gasket—Crankcase (.015" Thick)	93	●★281346	Bushing—Throttle Shaft	163	★273101	Gasket—Air Cleaner
		Note	95	●★94098	Screw—Slotted	358	497070	Gasket Set
		★27876 Gasket—Crankcase (.005" Thick)	104	●★231789	Pin—Float Hinge	524	★281370	Seal—Fill Tube
		★27877 Gasket—Crankcase (.009" Thick)	105	●★231935	Valve—Needle	634	●★281168	Seal—Choke Shaft
			106	●★231856	Seat—Inlet	977	497069	Gasket Set—Carburetor
			116	★270920	Seal—O-Ring	978	★273326	Gasket
			121	497578	Carburetor Kit	987	●★281166	Seal—Throttle Shaft
			127	●	Plug—Welch			
			137	●★281165	Gasket—Float Bowl			

★ Included in Gasket Set—Part No. 497070.
● Included in Carburetor Kit—Part No. 497578.

◆ Included in Carburetor Gasket Set—Part No. 497069.