

200401 to 200466

Illustrated Parts List

MODEL SERIES

200401 to 200466

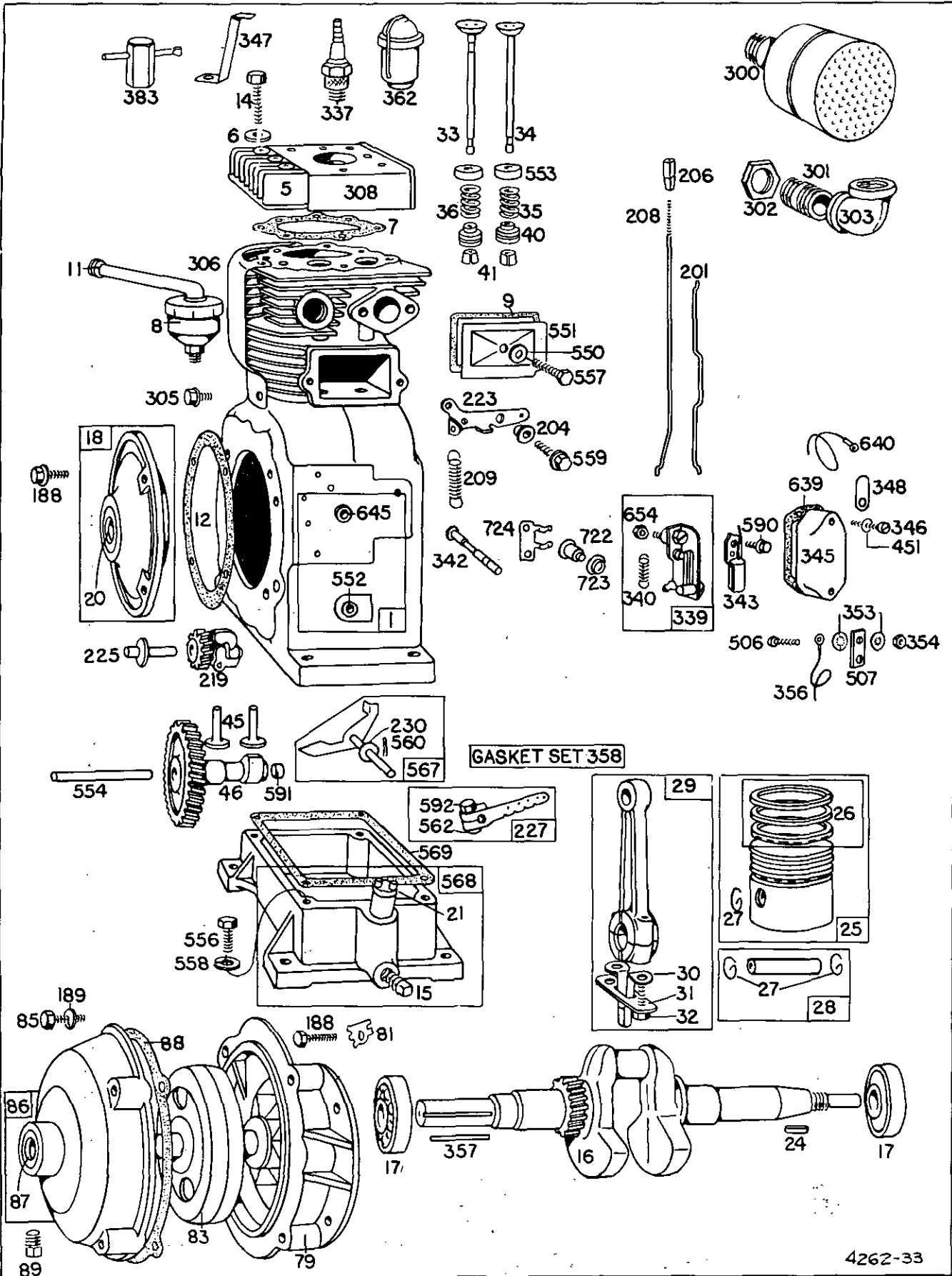
TYPE NUMBERS
0010 through 0060
0110 through 0200

**TO FIND
THE CORRECT NUMBER OF THE PART YOU NEED:
FOLLOW THE INSTRUCTIONS BELOW.**

- A. Refer to Engine Model, Type and Code Number (formerly Serial Number) that is stamped on the blower housing or name plate of engine. Engine type numbers such as 0147 01 are listed herein only as 0147. The two digits (01 or 02, etc.) to the right of the space are not needed for parts identification. Then use the Illustrated Parts List covering these Model Series.
- B. Refer to Illustrated Parts section and compare the old part with illustration. The number on the illustration is the Reference Number. Assemblies include all parts shown in frames. All parts shown in assembly frames on which individual reference numbers are given can be purchased separately.
- C. After the Reference Number has been identified, refer to the Numerical Parts List, where Reference and Master Part Numbers are listed. **THE MASTER PART IS USED ON ALL TYPE NUMBERS EXCEPT THOSE TYPE NUMBERS UNDER "NOTE".**
- D. If a "Note" appears below the Master Part Number, this means that this part differs from the Master Part for certain types. If the Type Number is listed under "Note", order the part referred to.
- E. If the Engine Type Number does not appear after any part number listed under "Note", use the Master Part Number.
- F. For Type Numbers higher than those covered by this book, please refer to the factory if you are unable to identify the part by comparison.

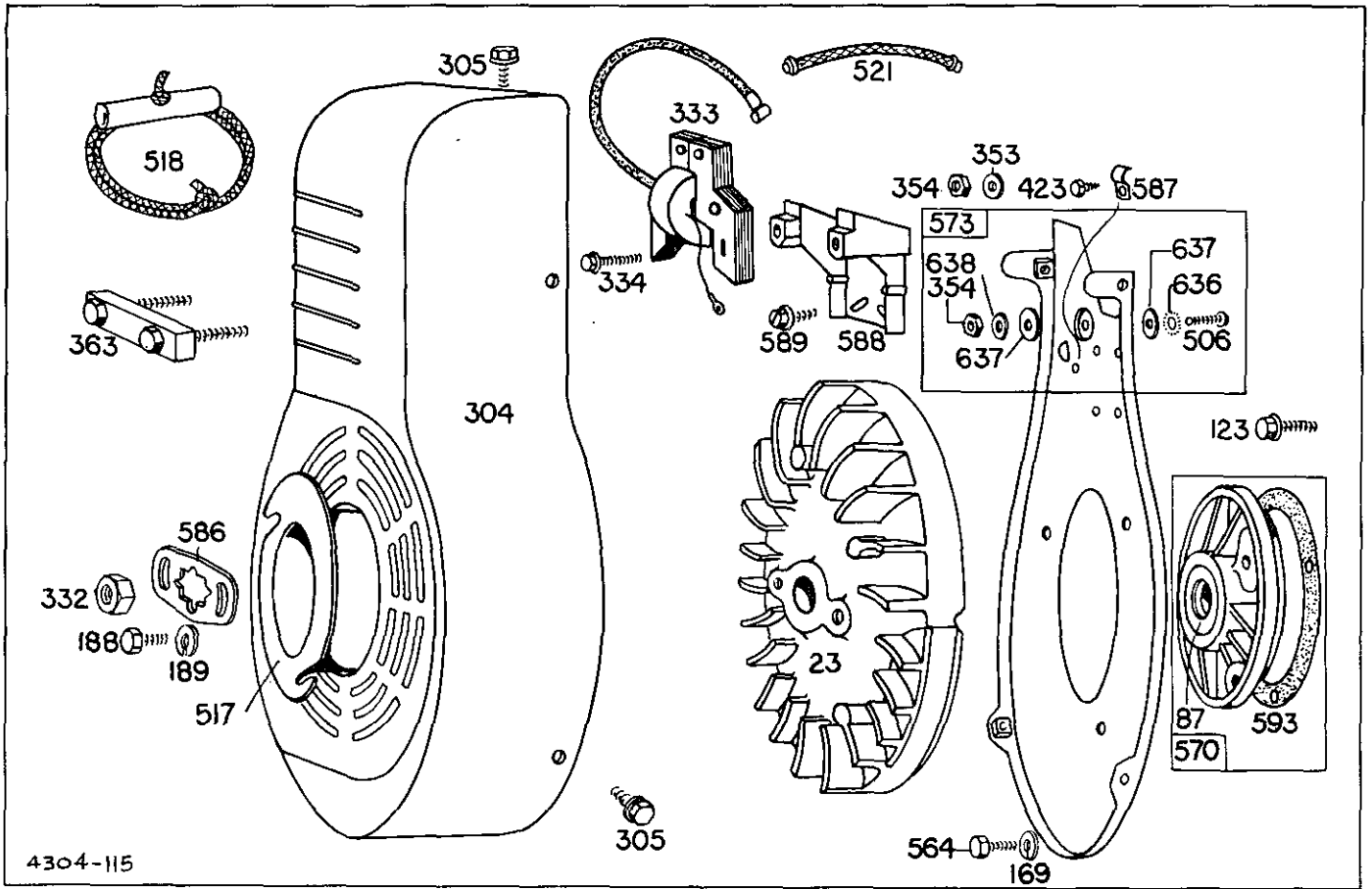


200401 to 200466



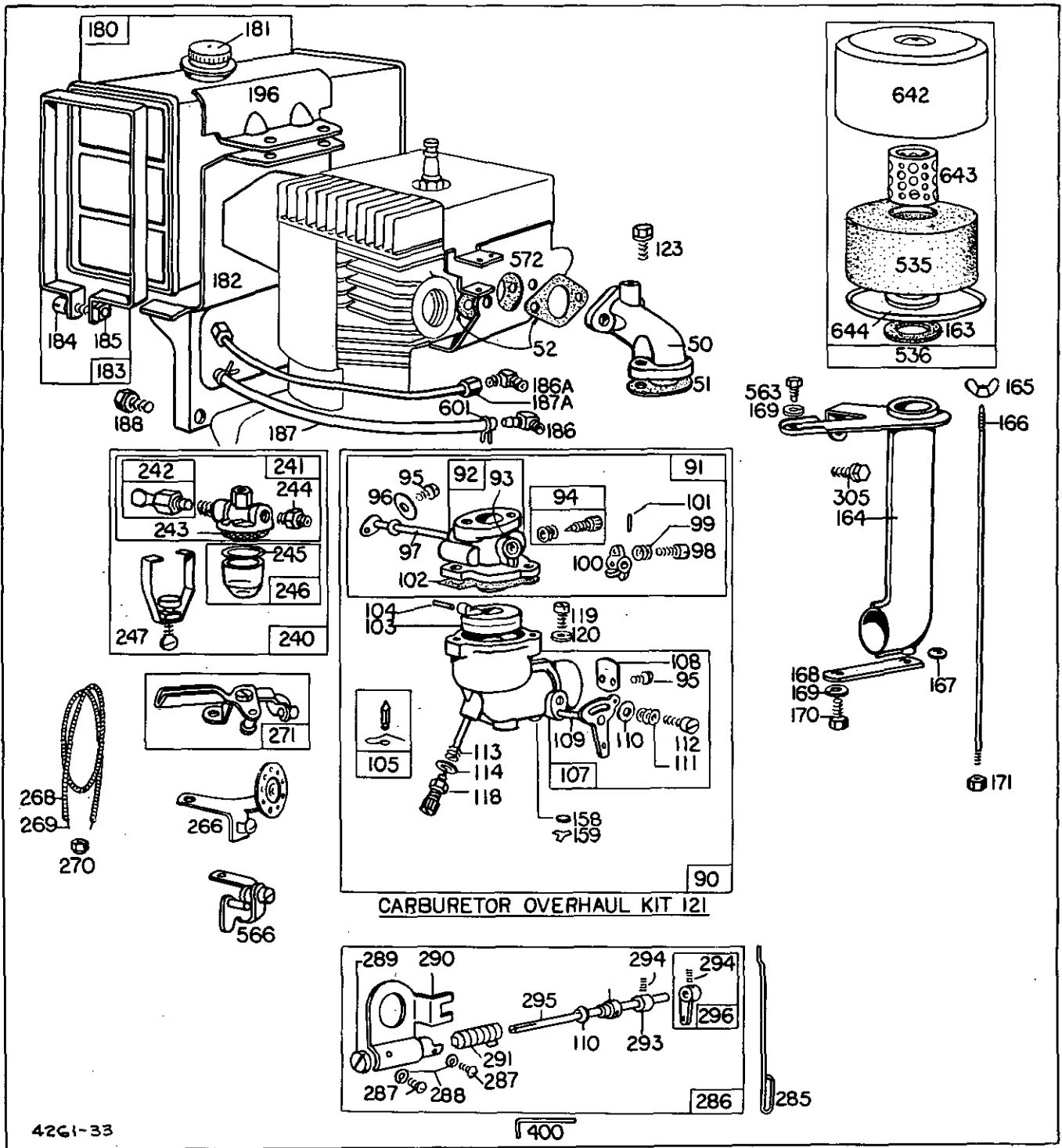
Assemblies include all parts shown in frames.

200401 to 200466

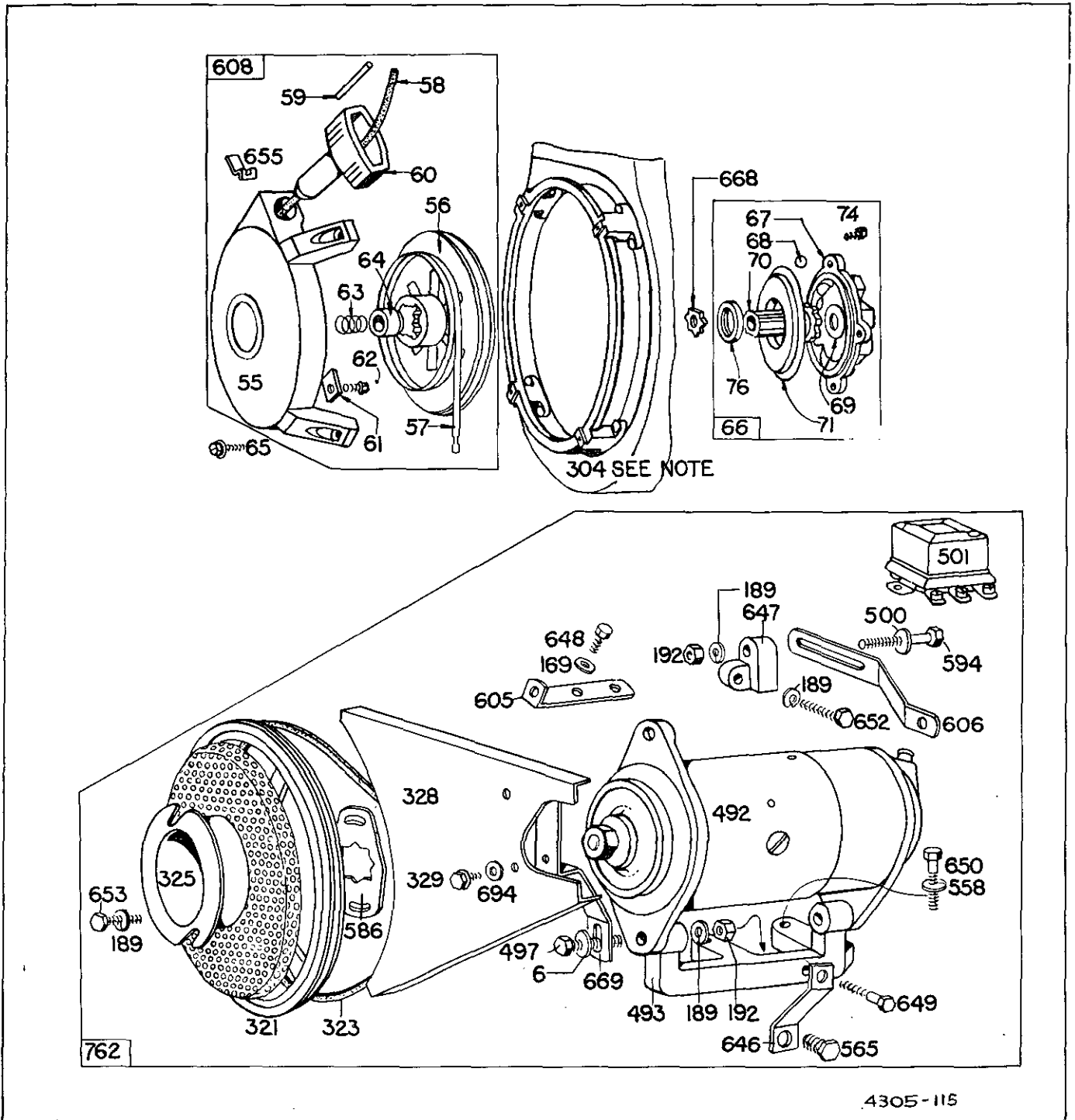


Assemblies include all parts shown in frames.

200401 to 200466



Assemblies include all parts shown in frames.



Assemblies include all parts shown in frames.

200401 to 200466 REF. NO. 1 - 25

REF. NO.	PART NO.	DESCRIPTION	REF. NO.	PART NO.	DESCRIPTION	REF. NO.	PART NO.	DESCRIPTION
1	298199	Cylinder Assembly		260944	Crankshaft	20	298423	Seal—Oil
	Note: 298563	Cylinder Assembly		Used on type Nos. 0021, 0112, 0131, 0159, 0165, 0166.		21	66768	Plug—Oil Filler
		Used on type Nos. 0023, 0135, 0142, 0143, 0149, 0150, 0153, 0155, 0165, 0166, 0168, 0185, 0186, 0188, 0195.		260945	Crankshaft		Note: 292495	Oil Filler Cap
5	210620	Head—Cylinder		Used on type Nos. 0020, 0022, 0113, 0120, 0124, 0125, 0130, 0136, 0137, 0138, 0145, 0146, 0148, 0155, 0160, 0161, 0171, 0177, 0179, 0182, 0187, 0195, 0199.			Uses: 65938	
6	22963	Washer—Plain		260962	Crankshaft			Gasket—
7	*27752	Gasket—Cylinder Head		Used on type Nos. 0023, 0115, 0135, 0144, 0153, 0158, 0163, 0168, 0172, 0185.				Filler Cap
8	297704	Breather		260963	Crankshaft			Used on type No. 0143.
9	*66214	Gasket—Valve Cover		Used on type No. 0140.				299664
11	67068	Tube—Breather		260965	Crankshaft			Cap and
12	*66224	Gasket—Crankcase Cover		Used on type Nos. 0143, 0188.				Dipstick—Oil Filler
14	91442	Screw—Cylinder Head		260966	Crankshaft			Uses: 299401
	Note: 93358	Screw—Cap, Hex. Head—5/16-18 x 3-1/2" (2)		Used on type No. 0141.				Tube—
		230705	Spacer (2)	260968	Crankshaft			Filler
		Used on type Nos. 0133, 0157, 0175, 0180, 0193.		Used on type Nos. 0010, 0152, 0156.				68838
		93583	Stud—Cylinder Head (6)	261064	Crankshaft			Seal—
		Used on type No. 0194.		Used on type No. 0178.				Filler
15	91084	Plug—Pipe—3/8"		261090	Crankshaft			Tube to
	Note: 92738	Plug—Oil Drain		Used on type Nos. 0039, 0180, 0192, 0193.				Crankcase
		Used on type No. 0142.		261294	Crankshaft			Used on type Nos. 0126, 0127, 0175, 0176, 0180, 0193.
		92817	Plug—Oil Drain	Used on type No. 0060.				23
		Used on type No. 0143.		Used on type No. 0060.				298974
16	260920	Crankshaft		29530	Bearing—Ball			Note: 220804
	Note: 260926	Crankshaft		18	290724	Cover Assy.—Crankcase (Plain Bearing)		220803
	Used on type Nos. 0030, 0116, 0128, 0129, 0132, 0133, 0134, 0142, 0147, 0149, 0150, 0151, 0157, 0170, 0173, 0175, 0176, 0183, 0184, 0186, 0191, 0196, 0197, 0198, 0200.			Used only on Model 200401 to 200406 engines.				Support
	260943	Crankshaft		Note: 291299	Cover Assy.—Crankcase (Ball Bearing)			230397
	Used on type Nos. 0111, 0194.			Used only on Model 200431 to 200436 engines.				Spacer (4)

* Included in Gasket Set—Part No. 294736.

REF. NO.	PART NO.	DESCRIPTION	REF. NO.	PART NO.	DESCRIPTION	REF. NO.	PART NO.	DESCRIPTION
PISTON RING SETS					Top and Center, .030" O.S.			Used on type Nos. 0019, 0023, 0135, 0142, 0143, 0149, 0150, 0153, 0155, 0159, 0165, 0166, 0168, 0174, 0185, 0186, 0188, 0190, 0195.
		Note: For Chrome Piston Ring Set— standard size— order Part No. 298746.			61337			
26	292100	Ring Set—Piston— Standard. Includes: 210076 Ring— Piston, Comp., Top and Center, Standard 61292 Ring— Piston, Oil, Standard	27	68546	Lock—Piston Pin	41	68283	Collar—Valve Spring
			28	298401	Pin Assembly— Piston—Standard	45	63659	Tappet—Valve
				294681	Pin Assembly— Piston—.005" O.S.	46	211304	Gear—Cam
			29	299581	Rod Assembly— Connecting	50	21769	Elbow—Carburetor Intake
			30	221888	Dipper—Connecting Rod	51	†*65647	Gasket—Intake Elbow
			31	221887	Lock—Connecting Rod Screw	52	*65647	Gasket—Intake Elbow Mounting
			32	92659	Screw—Connecting Rod	55	297663	Housing—Rewind Starter
			33	23835	Valve—Exhaust	56	295871	Pulley—Rewind Starter Includes 63" Rope
				Note: 26735	Valve—Exhaust	57	294303	Spring—Rewind Starter
					Used on type Nos. 0023, 0135, 0142, 0143, 0149, 0150, 0153, 0155, 0165, 0166, 0168, 0185, 0186, 0188, 0195.	58	66884	Rope—Rewind Starter (For use with Plastic Pulley)
					Used on type Nos. 0023, 0135, 0142, 0143, 0149, 0150, 0153, 0155, 0165, 0166, 0168, 0185, 0186, 0188, 0195.		Note: 66564	Rope—Rewind Starter (For use with Steel Pulley)
292101		Ring Set—Piston—.010" O.S. Includes: 210077 Ring— Piston, Comp., Top and Center, .010" O.S. 61335 Ring— Piston, Oil, .010" O.S.	34	23836	Valve—Intake	59	230228	Pin—Starter Grip
				Note: 23835	Valve	60	66728	Grip—Starter Rope
					Used on type Nos. 0023, 0135, 0142, 0143, 0149, 0150, 0153, 0155, 0165, 0166, 0168, 0185, 0186, 0188, 0195.	61	68848	Bumper—Starter Pulley
292102		Ring Set—Piston—.020" O.S. Includes: 210078 Ring— Piston, Comp., Top and Center, .020" O.S. 61336 Ring— Piston, Oil, .020" O.S.	35	65906	Spring—Intake Valve	62	93254	Screw—Pulley Bumper Mounting Sem
			36	65906	Spring—Exhaust Valve	63	260414	Spring—Ratchet
				Note: 26828	Spring—Exhaust Valve	64	230543	Adapter—Ratchet Spring
					Used on type Nos. 0019, 0023, 0135, 0142, 0143, 0149, 0150, 0153, 0155, 0159, 0165, 0166, 0168, 0174, 0185, 0186, 0188, 0190, 0195.	65	93107	Screw—Rewind Starter Housing Mounting Sem
292103		Ring Set—Piston—.030" O.S. Includes: 210079 Ring— Piston, Comp.,	40	68293	Retainer—Valve Spring Collar	66	298798	Clutch Assembly—Rewind Starter
				Note: 292260	Rotacoil—Exhaust Valve	67	211383	Housing—Rewind Starter
					Used on type Nos. 0019, 0023, 0135, 0142, 0143, 0149, 0150, 0153, 0155, 0159, 0165, 0166, 0168, 0174, 0185, 0186, 0188, 0190, 0195.	68	63770	Ball—Clutch
						69	66718	Washer—Starter Clutch Thrust
						70	298799	Ratchet—Rewind Starter Clutch
						71	221653	Washer—Retainer
								Uses: 93042 Screw—Retainer Washer (2)
						74	93042	Screw—Retainer

* Included in Gasket Set— Part No. 294736.

† Included in Carburetor Overhaul— Kit— Part No. 291763.

200401 to 200466 REF. NO. 76 - 170

REF. NO.	PART NO.	DESCRIPTION	REF. NO.	PART NO.	DESCRIPTION	REF. NO.	PART NO.	DESCRIPTION
76	68238	Seal-Ratchet Sealing	97	291300	Shaft Assembly-Throttle	111	26155	Spring-Choke Lever
79	291356	Case Assembly-Gear	98	91920	Screw-Machine, Fill. Hd. -8-32 x 5/8"	112	23123	Screw-Choke Lever
81	220790	Lock-Gear Case Mounting Screw	99	26157	Spring-Throttle Adjustment	113	† 390395	Nozzle-Carburetor
83	291762	Shaft Assembly-Drive	100	61967	Stop-Throttle	114	† 68667	Gasket-Nozzle
	Note:	292470 Shaft Assy. - Drive	101	93043	Pin-Throttle Lever	118	† 99525	Valve Assembly-Needle
		Used on type Nos. 0133, 0134, 0149, 0151, 0157, 0173, 0175, 0176, 0180, 0193.	102	† 27034	Gasket-Carburetor Body	119	90746	Screw-Machine, Fill. Head-10-32 x 5/8"
85	91386	Screw-Gear, Case Cover (2" long)	103	99333	Float-Carburetor	120	92290	Washer-Lock-No. 10 x 1/16 x 3/64"
86	291354	Cover Assembly-Gear Case	104	† 230896	Pin-Float Hinge	121	291763	Carburetor Overhaul Kit
87	298423	Seal-Oil	105	† 299096	Valve-Fuel Inlet	123	93415	Screw-Sem
88	27328	Gasket-Gear Case Cover	107	89915	Body Assembly-Lower Carburetor	158	27590	Filter-Carburetor Drain
89	91488	Plug-Square Head, 1/8", Pipe		Note:	291472 Body Assy. - Lower Carburetor	159	220521	Retainer-Carburetor Drain Filter
90	293950	Carburetor Assembly			Used on type Nos. 0153, 0172.	163	*67247	Gasket-Air Cleaner Mounting
	Note:	294805 Carburetor Assembly			295860 Body Assy. - Lower Carburetor	164	291462	Pipe Assy. - Air Cleaner
		Used on type Nos. 0153, 0172.			Used on type Nos. 0019, 0121, 0164, 0167, 0181.		Note:	296036 Pipe Assy. - Air Cleaner
		296135 Carburetor Assembly			296573 Body Assy. - Lower Carburetor			Used on type Nos. 0019, 0121, 0126, 0127, 0133, 0134, 0157, 0173, 0175, 0176, 0180, 0193.
		Used on type Nos. 0019, 0121, 0164, 0167, 0181.	108	62872	Valve-Choke	165	92650	Nut-Wing
		296724 Carburetor Assembly		Note:	22954 Valve-Choke	166	230739	Stud-Air Cleaner
		Used on type No. 0158.			Used on type Nos. 0153, 0172.		Note:	23870 Stud-Air Cleaner
91	291655	Body Assembly-Upper Carburetor	109	89531	Shaft and Lever-Choke			Used on type Nos. 0136, 0146, 0171.
	Note:	296723 Body Assy. - Upper Carburetor		Note:	291440 Shaft, Vane and Lever Assy. - Automatic Choke			230768 Stud-Air Cleaner
		Used on type No. 0158.			291776 Lever Assy. - Automatic Choke			Used on type Nos. 0019, 0121, 0126, 0127, 0133, 0134, 0157, 0173, 0175, 0176, 0180, 0193.
92	99375	Body-Upper Carburetor			Includes: 90200 Screw-Machine, Fil. Head-8-32 x 1/2"	167	65978	Seal-"O" Ring
93	23108	Bushing-Throttle Shaft			Used on type Nos. 0153, 0172.	168	22832	Strap-Air Cleaner Pipe
94	† 292681	Valve Assembly-Carburetor Idle			295374 Shaft and Lever-Choke	169	90832	Washer-Lock-1/4 x 3/32 x 5/64"
95	93038	Screw-Choke and Throttle Valve Mtg. Sem			Used on type Nos. 0019, 0121, 0164, 0167, 0181.		Note:	92778 Washer-Lock-Shakeproof
96	62940	Valve-Throttle.	110	62899	Washer-Choke Lever			Used to mount Blower Housing on type Nos. 0142, 0143, 0153.
						170	91468	Screw-Cap, Hex. Head-1/4-20 x 3/8"

* Included in Gasket Set-Part No. 294736.

† Included in Carburetor Overhaul Kit-Part No. 291763.

REF. NO.	PART NO.	DESCRIPTION	REF. NO.	PART NO.	DESCRIPTION	REF. NO.	PART NO.	DESCRIPTION
171	92129	Nut-Hex. 1/4-28	189	90366	Washer-Lock- 5/16 x 1/8 x 1/16"	230	22826	Washer-Governor Crank
180	291488	Tank Assembly- Fuel (6 Quart)	192	91397	Nut-Hex. -5/16-18	240	295984	Filter Assembly- Fuel
	Note:	290816 Tank Assy. - Fuel (4 Quart) Used on type Nos. 0120, 0121, 0134, 0141, 0143, 0149, 0150, 0152, 0168, 0172, 0188, 0194.	196	22907	Support-Upper Fuel Tank			Used with Flexible Fuel Pipe
		292415 Tank Assy. Fuel (8 Quart) Used on type Nos. 0132, 0140, 0179.	201	26674	Link-Throttle	Note:	99910	Filter Assembly-Fuel
181	69221	Cap-Fuel Tank	204	23849	Bushing-Control Lever			Used with Metal Fuel Pipe.
182	22813	Bracket-Fuel Tank	206	21772	Nut-Governor Adjusting			295977 Filter Assembly-Fuel
	Note:	221435 Bracket (Used between Tank Bracket and Crankcase)		Note:	93422 Stopnut Used on type Nos. 0010, 0019, 0020, 0021, 0022, 0030, 0039, 0060, 0121, 0125, 0126, 0127, 0131, 0137, 0138, 0139, 0145, 0148, 0149, 0150, 0151, 0155, 0160, 0162, 0178, 0183, 0184, 0191, 0198.			Used on type Nos. 0010, 0020, 0022, 0120, 0164, 0184, 0194.
		93535 Screw-Sem (2)	208	230039	Rod-Gov. Control	241	296005	Cover Assy. - Fuel Filter
		22963 Washer- Flat (2) Used on type Nos. 0133, 0157, 0175, 0180, 0193.	209	26764	Spring-Governor			Used with Flexible Fuel Pipe.
				Note:	26643 Spring- Governor Used on type Nos. 0173, 0175, 0176, 0180, 0193.	Note:	99909	Cover Assembly- Fuel Filter
183	291490	Strap Assy. - Fuel Tank			260815 Spring- Governor (2" long)			Used with Metal Fuel Pipe.
	Note:	291367 Strap Assembly-Fuel Tank Used on type Nos. 0120, 0121, 0134, 0141, 0143, 0149, 0150, 0151, 0152, 0168, 0172, 0188, 0194.			260816 Spring- Governor (2-1/2" long) Used on type Nos. 0126, 0127.			296019 Cover Assembly- Fuel Filter
184	91257	Screw-Machine, Fill. Head- 1/4-20 x 1-1/4"	219	291192	Gear Assembly- Governor			Used on type Nos. 0133, 0157, 0175, 0180, 0193.
185	90970	Nut-Square- 1/4-20	223	22814	Lever-Governor Control	242	295913	Valve-Fuel Shut-Off
186	67218	Connector-Fuel Pipe (For Flexible Tubing)		Note:	Governor Control Lever used on type Nos. 0133, 0134, 0157, 0173, 0175, 0176, 0180, 0193 is furnished by the equip- ment manufacturer.	Note:	293934	Valve-Fuel Shut-Off
186A	63377	Connector-Fuel Pipe (For Metal Fuel Pipe)						Used on type Nos. 0010, 0020, 0022, 0120, 0164, 0184.
187	299942	Pipe-Fuel (Flexible Tubing)	225	291177	Shaft-Governor Gear	243	22547	Screen-Fuel Filter
187A	29476	Pipe-Fuel (Metal)	227	291365	Lever Assy. - Governor	244	230318	Connector-Fuel Pipe
	Note:	296576 Pipe-Fuel Used on type No. 0158.		Note:	298399 Lever Assembly- Governor Used on type Nos. 0126, 0127.			Used with Flexible Fuel Pipe.
188	93535	Screw-Sem				Note:	53029	Connector- Fuel Pipe Used with Metal Fuel Pipe

200401 to 200466

REF. NO. 244 - 337

REF. NO.	PART NO.	DESCRIPTION	REF. NO.	PART NO.	DESCRIPTION	REF. NO.	PART NO.	DESCRIPTION
		67218 Connector-- Fuel Pipe Elbow Used on type Nos. 0022, 0133, 0157, 0175, 0180, 0193.	294	92678	Screw--Set, Socket Head-- 6-32 x 5/16"			297237 Housing-- Blower Used on type Nos. 0022, 0164, 0183, 0198.
245	*68477	Gasket--Fuel Filter Bowl	295	23954	Shaft--Thermostat			297579 Housing-- Blower (with Rewind Starter Adapter Ring) Used on type Nos. 0039, 0060, 0111, 0180, 0192, 0193, 0194.
246	298683	Bowl--Fuel Filter	296	291044	Lever Assembly-- Thermostat			
247	99665	Yoke Assembly-- Fuel Filter	300	290933	Muffler--Exhaust			
266	291460	Control--Throttle		Note:	291519 Muffler-- Exhaust Used on type Nos. 0199, 0200.			
268	65616	Casing--Control Wire--72" long Note: If longer casing is required, specify length in inches; if shorter casing is needed, order No. 65616 and cut to re- quired length.	301	91416	Nipple--Exhaust, Pipe	305	93158	Screw--Sem
269	26633	Wire--Control--78" long Note: If longer wire is required, specify length in inches; if shorter wire is needed, order No. 26633 and cut to required length.	302	91310	Locknut--Muffler	306	220861	Shield--Cylinder
270	63426	Locknut--Control Wire Casing	303	91296	Elbow--Exhaust 90°, Pipe Note: 91308 Elbow-- Exhaust, 90° Street Used on type No. 0148. 91415 Elbow-- Exhaust, 45° Used on type Nos. 0175, 0176, 0180, 0182, 0193. 92130 Elbow-- Exhaust, 45° Street Used on type Nos. 0123, 0134.	308	294683	Cover--Cylinder Head
271	290568	Lever Assembly-- Control Note: 93469 Screw--Sem Used to mount Control Lever on type Nos. 0149, 0150, 0151, 0162, 0183, 0184, 0191.	304	291280	Housing--Blower Note: 294144 Housing-- Blower Used on type Nos. 0142, 0143. 294742 Housing-- Blower Used on type Nos. 0019, 0118, 0120, 0126, 0127, 0134, 0157, 0173, 0174, 0176, 0178, 0182. 295194 Housing-- Blower Used on type No. 0141. Rewind Starters used on type No. 0141 are Model S-475, Type 69-K made and serv- iced by Fairbanks Morse & Co., Beloit, Wisconsin.	321	211166	Pulley--V-Belt Starter
285	26684	Link--Choke				323	66828	Belt--Vee Note: 68878 Belt--Vee Used on type Nos. 0118, 0127.
286	291445	Thermostat Assy.				325	299308	Pulley and Screen-- Electric Starter
287	90050	Screw--Machine, Rod Head-- 6/32 x 1/4"				328	221531	Guard--Belt
288	90362	Washer--Lock--No. 6 x 3/64 x 1/32"				329	93294	Screw--Belt Guard Mounting Sem
289	23886	Support--Thermostat				332	230674	Nut--Flywheel Note: 23949 Nut--Flywheel Used on type No. 0188.
290	291444	Tube Assembly-- Thermostat				333	298968	Armature Assembly Note: 299700 Armature Assembly. Used on type Nos. 0142, 0143, 0153, 0188.
291	26594	Thermostat				334	93381	Screw--Armature to Mounting Bracket Sem Note: 92791 Washer--Lock-- Shakeproof is used with 93381 Screw to secure Ground Wire to Armature on type Nos. 0142, 0143, 0153.
292	23885	Support--Thermostat						
293	23884	Stop--Thermostat Shaft				337	29693	Plug--Spark (with Gasket) Note: Spark Plugs 29693 and 293918 use Ignition Cable Terminal No. 221798.

* Included in Gasket Set--
Part No. 294736.

REF. NO.	PART NO.	DESCRIPTION	REF. NO.	PART NO.	DESCRIPTION	REF. NO.	PART NO.	DESCRIPTION
		291954 Plug-Spark Used on type Nos. 0142, 0143, 0153.	379	22984	Cover-Fuel Pump Hole	506	90200	Screw-Machine, Rd. Hd. -8-32 x 1/2"
		293918 Plug-Spark Used on type Nos. 0023, 0129, 0131, 0145, 0161, 0165, 0169.	383	89838	Wrench-Spark Plug		Note:	90072 Screw-Machine, Rd. Head-
339	298185	Breaker Assy. - Ignition	386	27314	Gasket-Fuel Pump Hole Cover			8-32 x 5/8" (2) Used on type Nos. 0142, 0143, 0153.
340	26018	Spring-Breaker Arm	400	230010	Wrench-Socket Screw	507	66895	Insulator
342	298123	Plunger-Contact	423	93410	Screw-Cable Clamp Mounting		Note:	299598 Insulator Used on type Nos. 0142, 0143, 0153, 0171, 0177, 0179, 0188.
343	298060	Condenser	451	90364	Washer-Lock- No. 8x 3/64 x 1/32"			
345	211327	Cover-Breaker		Note:	92791 Washer-Lock- Shakeproof (3) Used on type Nos. 0142, 0143, 0153.	508	93158	Screw-Sem
346	93400	Screw-Breaker Cover Mounting	492	390555	Starter-Generator (Delco-Remy No. 1101695) Uses: 296182 Pulley (Delco-Remy No. 1943222)	517	22809	Pulley-Rope Starter
	Note:	93550 Screw Used in upper hole in Breaker Cover for mounting Insulator on type Nos. 0142, 0143, 0153.		Note:	297779 Starter- Generator (Delco-Remy No. 1101864) Uses: 296182 Pulley (Delco-Remy No. 1949358)	518	69932	Rope-Starter
347	220197	Switch-Stop				521	291508	Shielding-Ignition Cable
	Note:	29372 Switch-Stop Used on type Nos. 0180, 0193. 298927 Switch-Stop Used on type Nos. 0121, 0174.	493	211153	Bracket-Starter		Note:	299554 Shielding- Ignition Cable Uses: 66298 Bushing- Spark Plug Terminal 92704 Terminal- Spark Plug Used on type Nos. 0142, 0143, 0153.
348	221976	Switch-Stop		Note:	211786 Bracket- Starter Used after Serial No. 6810281 on type Nos. 0118, 0127. 211622 Bracket- Starter Used before Serial No. 6810251 on type Nos. 0118, 0127.	535	270093	Element-Air Cleaner
353	92791	Washer-Lock- Shakeproof (2)	497	91203	Screw-Cap, Hex. Head- 5/16-18 x 1-3/4"	536	297869	Cleaner-Air
354	90576	Nut-Lock (2)					Note:	291858 Cleaner Assembly-Air Uses: 27401 Gasket- Air Cleaner (Filter to Bowl) Used on type Nos. 0136, 0146, 0171.
356	295413	Wire-Ground				550	*22353	Washer-Valve Cover
	Note:	299579 Wire-Ground Used on type Nos. 0142, 0143, 0153. 299907 Wire-Ground Used on type Nos. 0171, 0187, 0188. 391115 Wire-Ground Used on type Nos. 0039, 0060, 0193, 0194, 0198.	500	91325	Washer-Plain	551	22795	Cover-Valve
357	91540	Key-Pulley Mtg.				552	23837	Bushing-Governor Crank
358	294736	Gasket Set				553	62222	Cup-Valve Spring
362	291630	Shield-Spark Plug				554	66203	Shaft-Cam
	Note:	66538 Elbow-Spark Plug Used on type Nos. 0120, 0121, 0174.	501	295924	Regulator-Voltage (Delco-Remy No. 1118988)	556	90887	Screw-Cap, Hex. Head- 3/8-16 x 1-1/4"
363	19068	Puller-Flywheel (Optional Accessory)				557	92636	Screw-Cap, Hex. Head- 1/2-20 x 2"

* Included in Gasket Set-
Part No. 294736.

200401 to 200466 REF. NO. 558 - 762

REF. NO.	PART NO.	DESCRIPTION	REF. NO.	PART NO.	DESCRIPTION	REF. NO.	PART NO.	DESCRIPTION
558	92268	Washer-Lock- 3/8 x 1/8 x 3/32"	569	*27293	Gasket-Engine Base	636	92864	Washer-Lock Note: 92791 Washer-Lock- Shakeproof (2) Used on type Nos. 0142, 0143, 0153.
	Note:	90366 Washer-Lock- 5/16" x 1/8 x 1/16" Used to mount Starter Bracket to Cylinder on type No. 0127.	570	291377	Support Assembly- Plain Bearing Note: 291378 Support Assembly-Ball Bearing Used only on Model 200431 through 200436 engines.	637	66154	Washer-Back Plate Terminal (2)
559	93294	Screw-Sem	572	291476	Guide-Front Air	638	26404	Washer-Back Plate Term.
560	91984	Pin-Cotter- 1/16 x 1/2" long	573	298863	Plate-Back Note: 299677 Plate-Back Used on type Nos. 0142, 0143, 0153.	639	270176	Gasket-Breaker Cover
562	92613	Bolt-Governor Lever	586	22906	Lock-Flywheel Nut	640	298141	Lead-Primary Note: 299580 Lead-Primary Used on type Nos. 0142, 0143, 0153.
563	92863	Screw-Self Tapping, Hex. Head- 1/4-20 x 5/8"	587	221340	Clamp-Cable	642	221468	Cover-Air Cleaner
564	92980	Screw-Cap, Hex. Head- 1/4-20 x 1/2"	588	211438	Bracket-Armature Mounting	643	280001	Cup-Air Cleaner
565	93142	Screw-Bracket to Base Mounting	589	93473	Screw-Armature Bracket to Cylinder Mounting Sem	644	221466	Base-Air Cleaner
566	99458	Idling Device Uses: 92747 Screw-Sem For mounting to Intake Elbow	590	93171	Screw-Breaker Mounting Sem	645	230775	Bushing-Plunger
567	291364	Crank Assembly- Governor	591	65932	Plug-Camshaft	646	221472	Brace-Bracket
568	290935	Base Assembly- Engine Note: Base used on type Nos. 0126, 0127 is furnished by the equipment manu- facturer 21897 Base-Engine Uses: 89859 Nipple- Oil Filler Used on type No. 0143. 294757 Base Assembly-Engine Used on type Nos. 0010, 0020, 0022, 0164, 0181, 0183, 0184, 0191, 0197, 0198. 297574 Base Assy. Engine. Used on type Nos. 0133, 0134, 0157, 0173, 0175, 0176, 0180, 0193.	592	231082	Nut-Hex. -10-24	647	211154	Anchor-Link
			593	*27295	Gasket-Plain or Ball Bearing Support- .020" thick *27296 Gasket Plain or Ball Bearing Support- .005" thick *27297 Gasket-Plain or Ball Bearing Support- .009" thick	648	91439	Screw-Cap, Hex. Head- 1/4-20 x 3/8"
			594	91449	Screw-Bracket Mounting Note: 92272 Screw-Cap, Hex. Head- 5/16-18 x 3/4" Used on type No. 0127 to mount Strap to Generator.	649	93123	Screw-Cap, Hex. Head- 5/16-18 x 1-1/4"
			601	93053	Clamp-Fuel Pipe (2)	650	91814	Screw-Cap, Hex. Head- 3/8-16 x 2" Note: 91162 Screw-Cap, Hex. Head Used on type No. to mount Starter Bracket to Cylinder.
			605	297171	Bracket-Support	652	91162	Screw-Link Anchor Mounting
			606	221471	Strap-Adjusting Note: 221934 Strap- Adjusting Used on type Nos. 0118, 0127.	653	91442	Screw-Pulley Mtg.
			608	297011	Starter-Assembly- Rewind	654	230783	Nut-Contact Point Adjusting Screw
						655	221014	Anchor-Spring
						668	260647	Spacer (used between end of Ratchet and Starter Pulley)
						669	297187	Bracket-Guard
						694	91324	Washer-Guard to Bracket Mounting
						722	68768	Seal-Plunger
						723	93516	Eyelet-Seal Retainer
						724	221873	Retainer-Plunger Seal
						762	297651	Electric Starter - Generator Kit- 12 Volt

* Included in Gasket Set-
Part No. 294736.