

203400

Illustrated Parts List

Model Series

203400

TYPE NUMBERS
0035 through 0133.

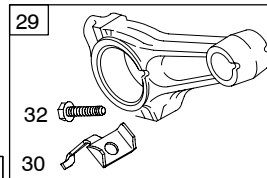
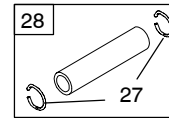
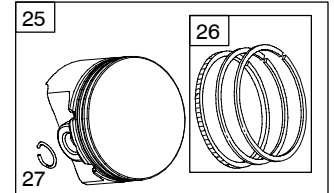
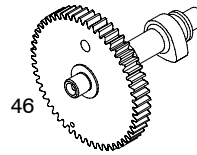
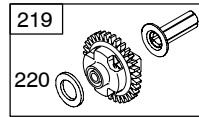
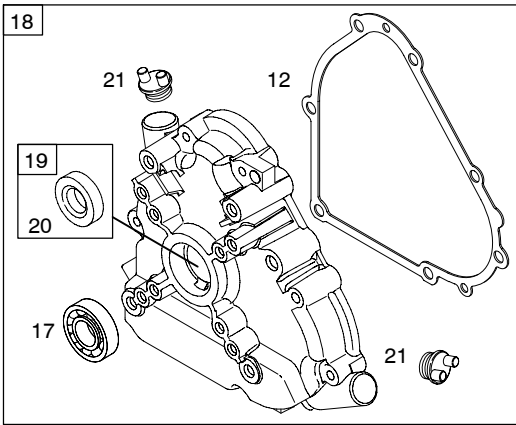
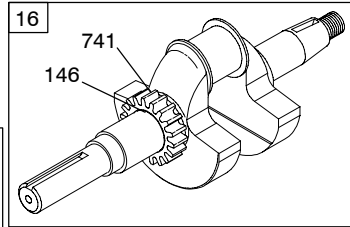
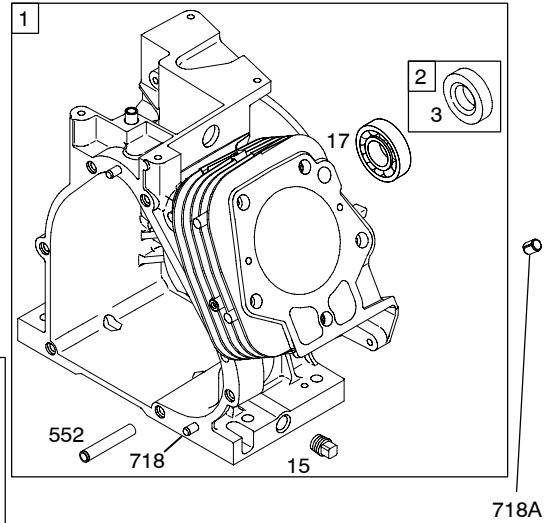
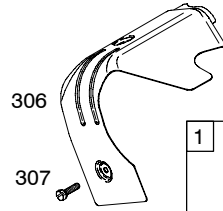
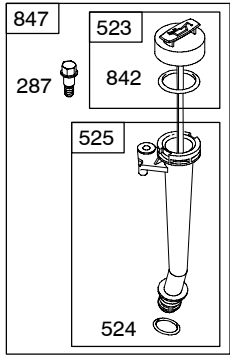
TABLE OF CONTENTS

Air Cleaner	6
Alternator	10
Blower Housing/Shrouds	7
Camshaft	2
Carburetor #1	4
Carburetor #2	5
Controls	8
Crankcase Cover	2
Crankshaft	2
Cylinder	2
Cylinder Head	3
Electric Starter	9
Exhaust System	6
Flywheel	7
Fuel Supply	9
Gear Reduction	9
Governor Spring	8
Ignition	10
Kit/Gasket Sets-Carburetor	5
Kit/Gasket Sets-Engine	2
Kit/Gasket Sets-Valve	2
Lubrication	2
Piston, Rings, Connecting Rod	2
Rewind Starter	7
Valves	3

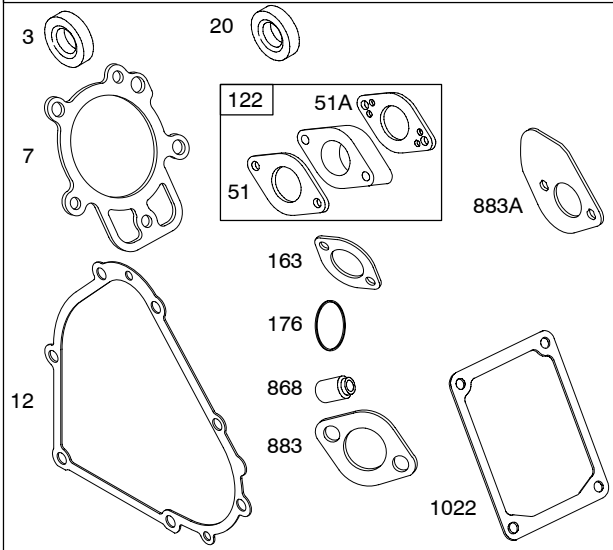
PRINTED IN U.S.A.



COPYRIGHT by BRIGGS & STRATTON CORPORATION
All rights reserved. No part of this material may be reproduced or transmitted,
in any form or by any means, electronic or mechanical, including photocopying,
recording or by any information storage and retrieval system, without permission
in writing from Briggs & Stratton Corporation.



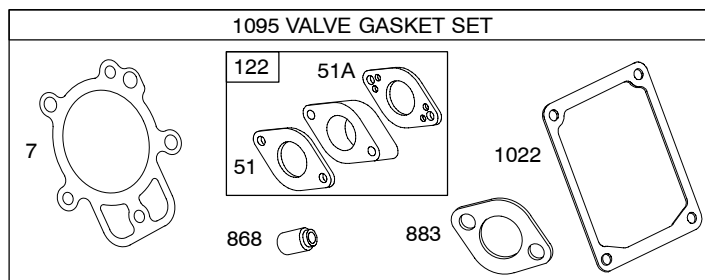
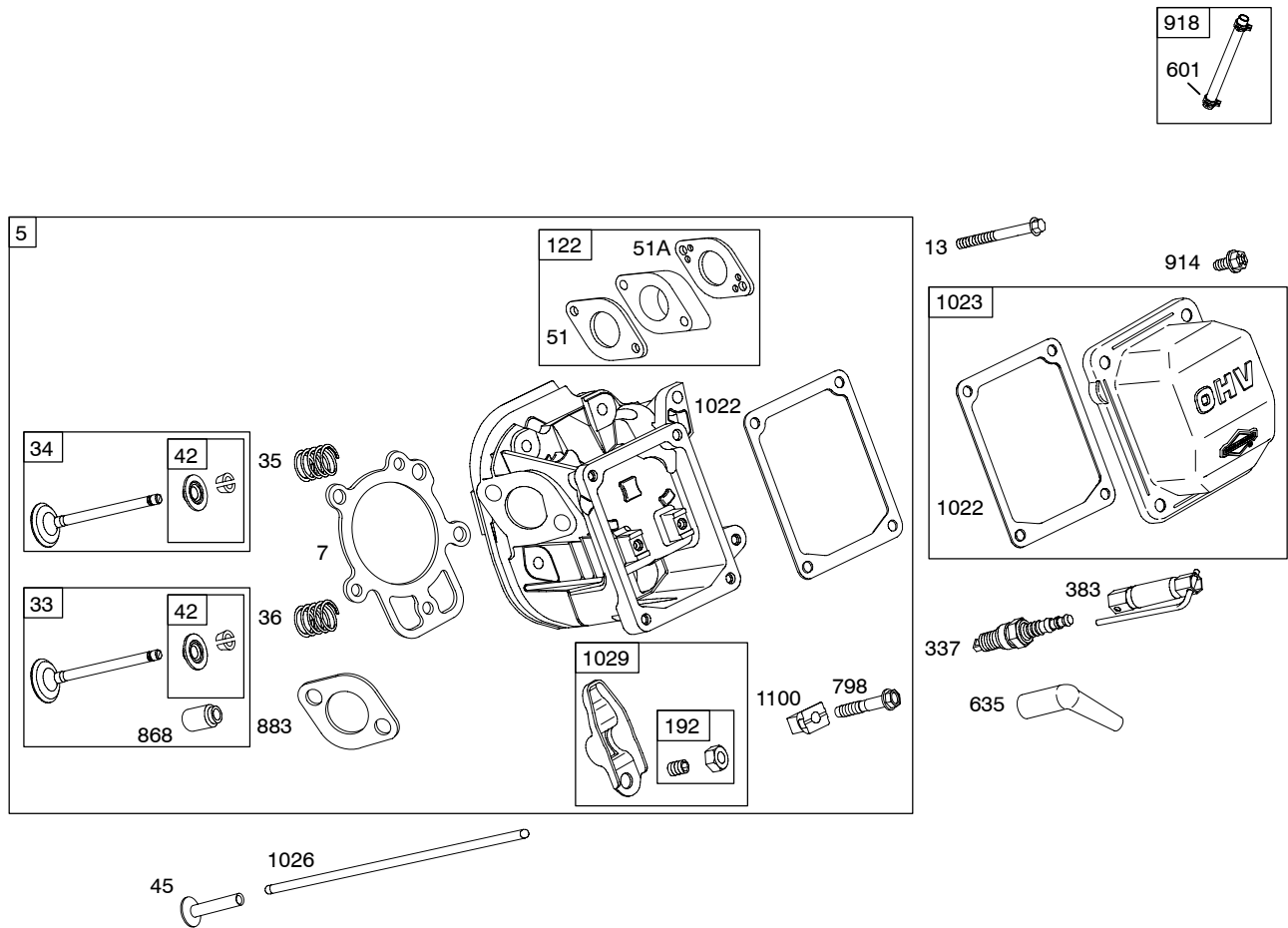
358 ENGINE GASKET SET



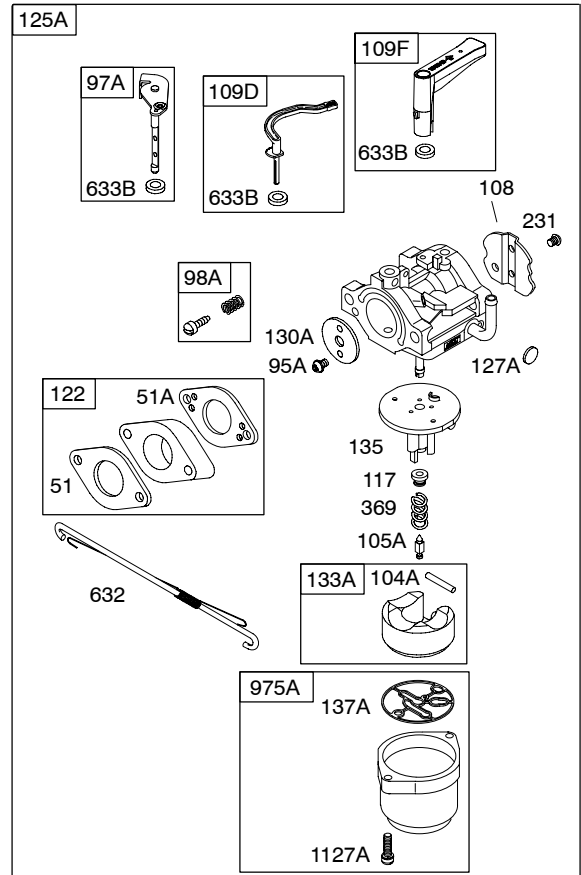
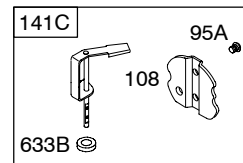
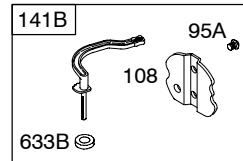
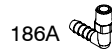
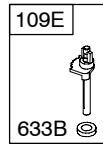
1330 REPAIR MANUAL

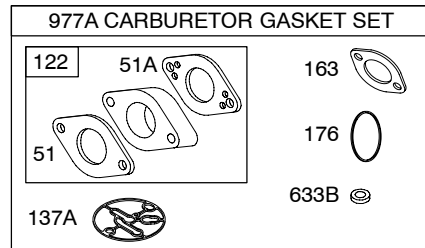
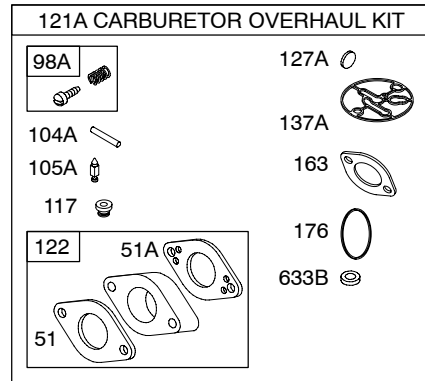
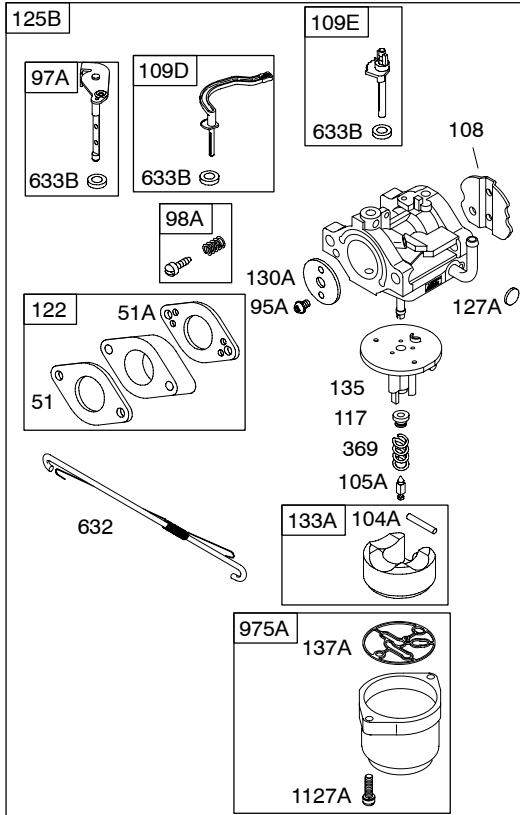
1019 LABEL KIT

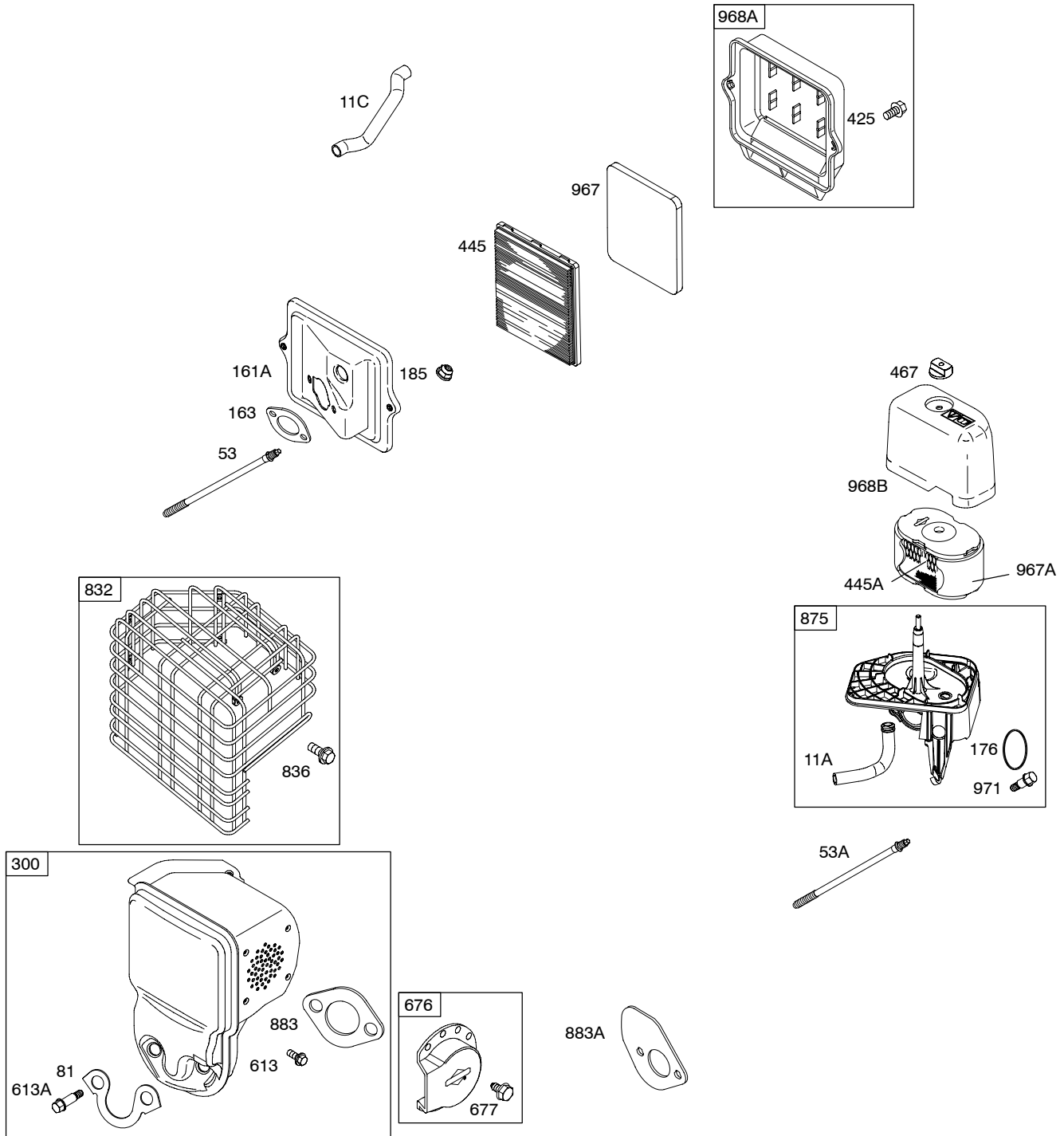
1058 OPERATOR'S MANUAL



Illustrations cover a range of engines. Parts shown without corresponding text may not be used on your specific engine.
 6594-3 Assemblies include all parts shown in frames. 06/24/2004

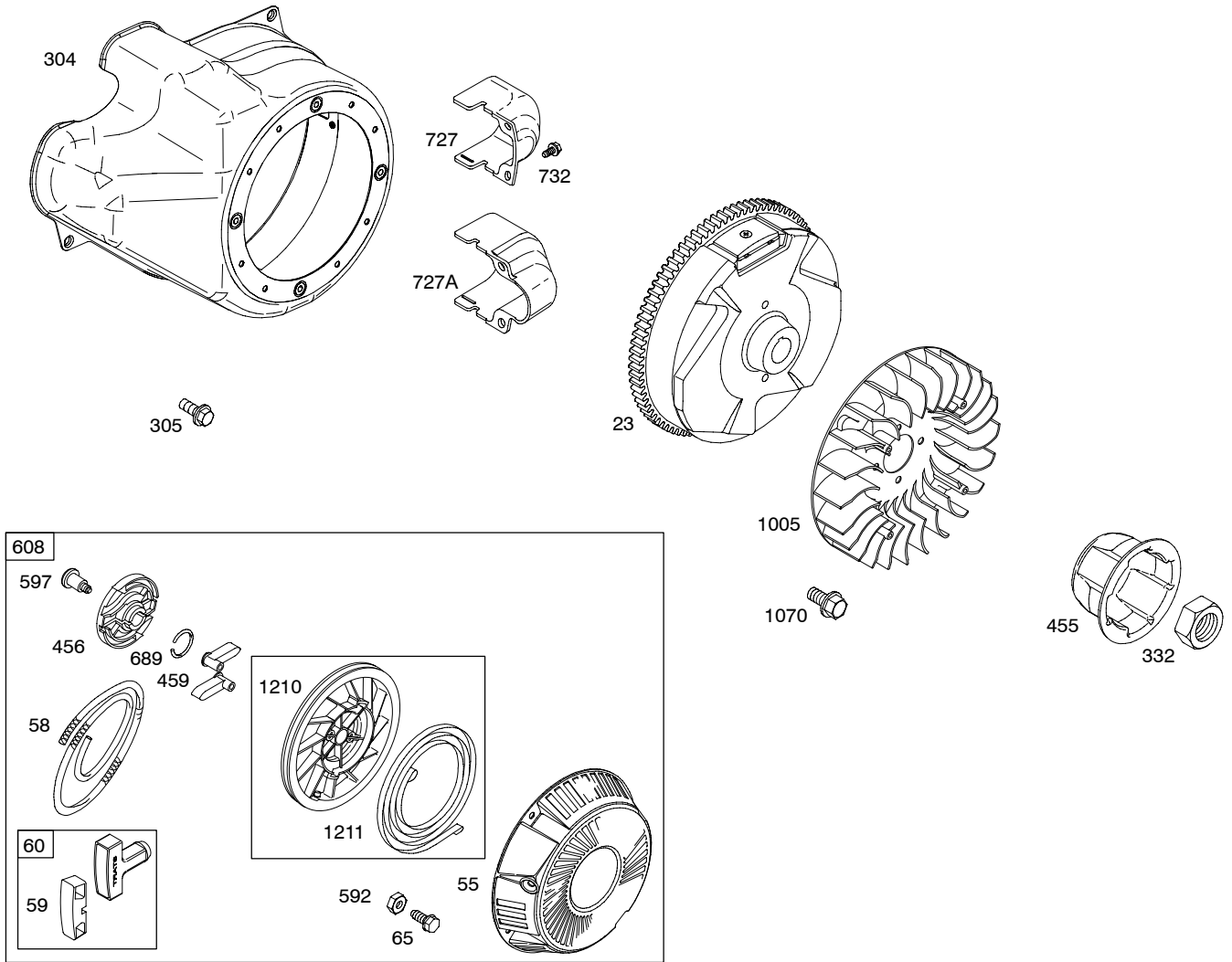






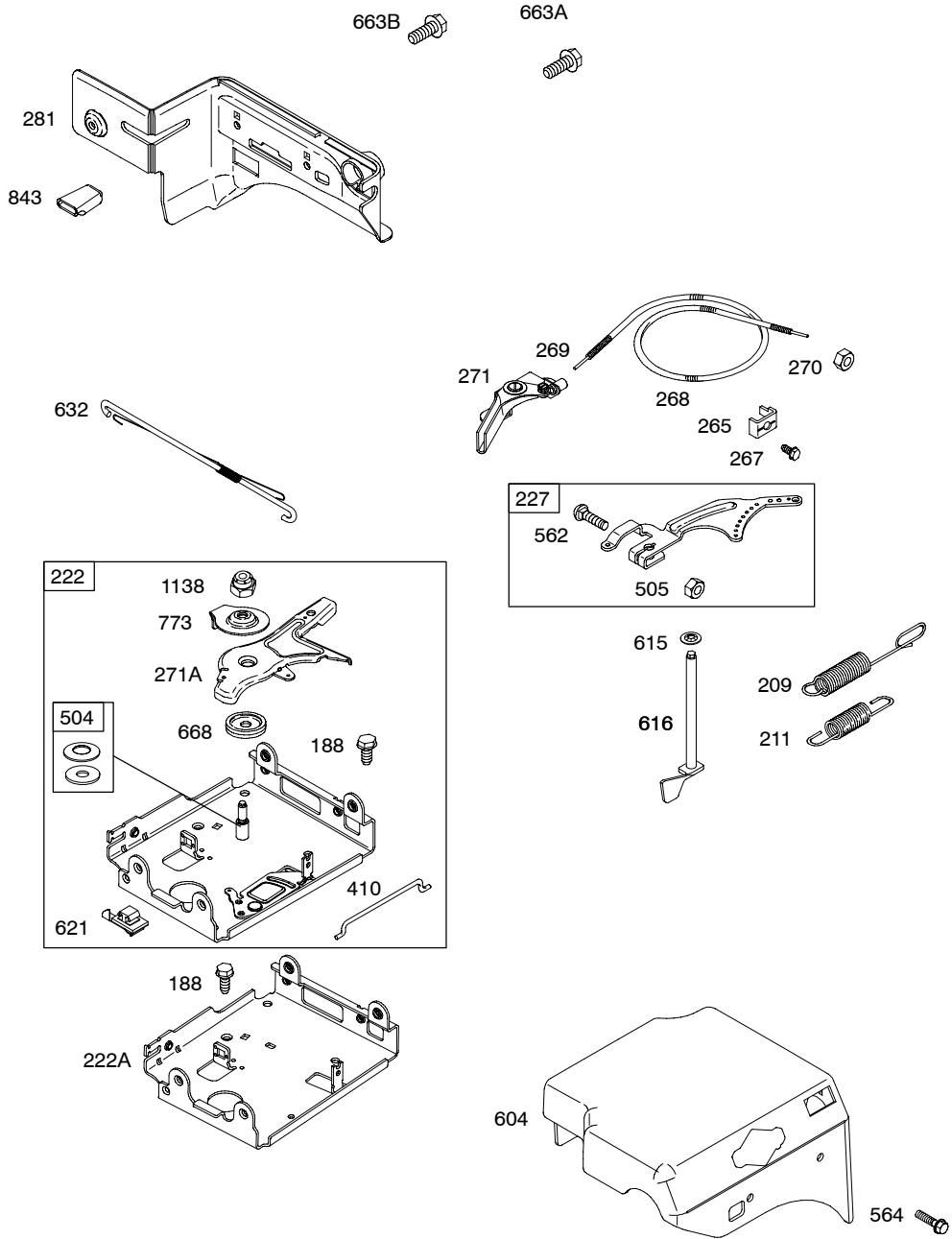
Illustrations cover a range of engines. Parts shown without corresponding text may not be used on your specific engine.
6594-6 Assemblies include all parts shown in frames. 06/24/2004

1036 EMISSION LABEL

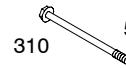
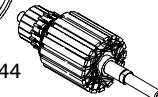
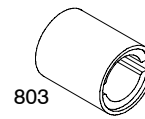
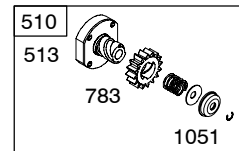
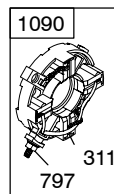
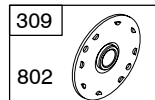
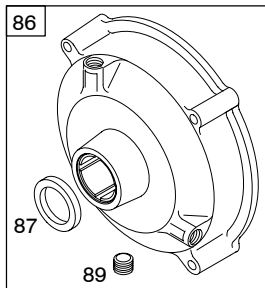
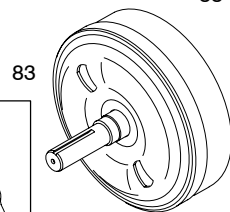
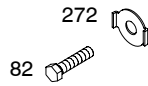
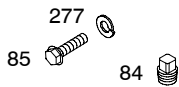
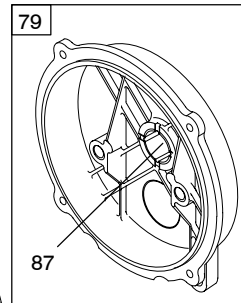
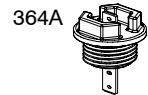
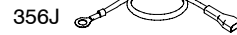
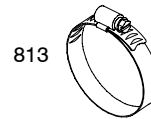
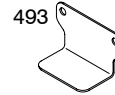
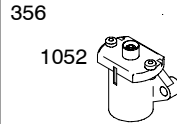
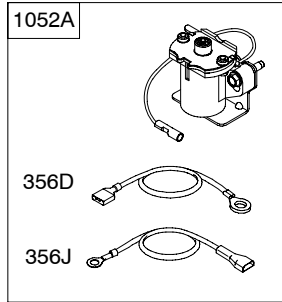
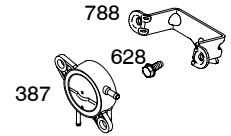
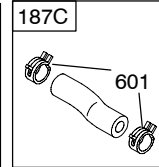
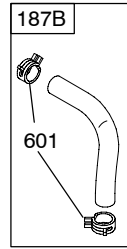
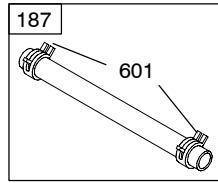
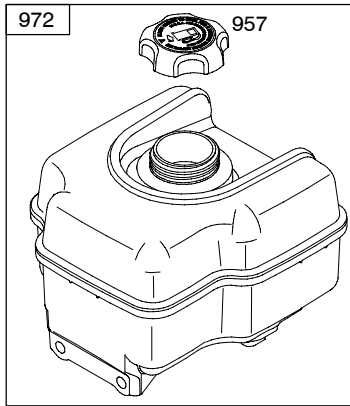


Illustrations cover a range of engines. Parts shown without corresponding text may not be used on your specific engine.
6594-7 Assemblies include all parts shown in frames. 06/24/2004

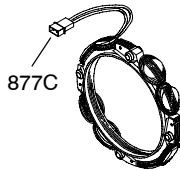


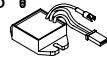
203400

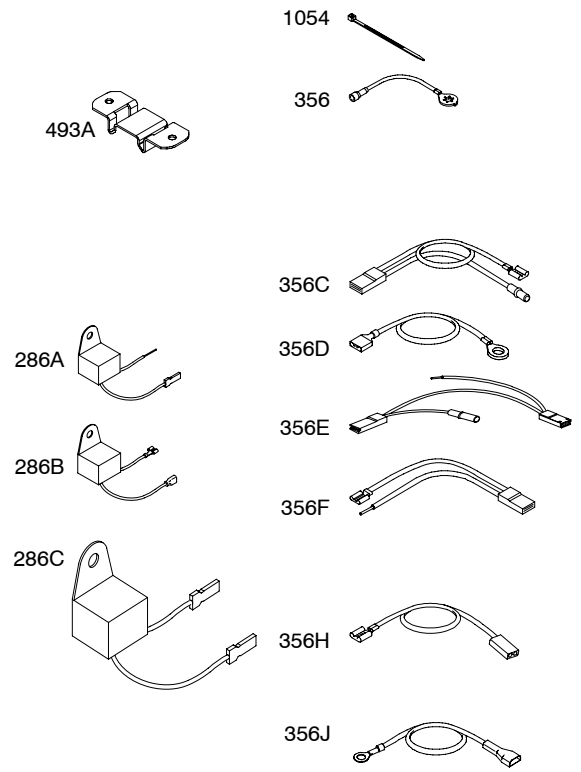
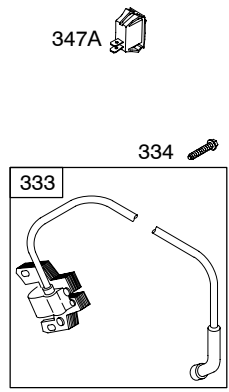
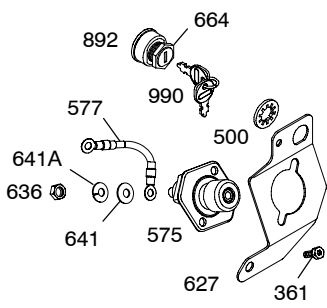


Illustrations cover a range of engines. Parts shown without corresponding text may not be used on your specific engine.
6594-8 Assemblies include all parts shown in frames. 06/24/2004



Illustrations cover a range of engines. Parts shown without corresponding text may not be used on your specific engine.
 6594-9 Assemblies include all parts shown in frames. 06/24/2004

	<p>10 - 16 AMP</p> <p>474D</p>  <p>877C</p>
<p>NOTE: All stators use a No. 1119 mounting screw. </p> <p>NOTE: The proper flywheel part number and/or the alternator magnet size will determine the alternator type or output. See repair instruction manual for additional information.</p>	<p>526 </p> <p>501 </p>



REF. NO.	PART NO.	DESCRIPTION	REF. NO.	PART NO.	DESCRIPTION	REF. NO.	PART NO.	DESCRIPTION
1	694673	Cylinder Assembly	18	696914	Cover-Crankcase	27	690975	Lock-Piston Pin
2	495657	Kit-Bushing/Seal (Magneto Side)			----- Note -----	28	696581	Pin-Piston
		----- Note -----			699327 Cover-	29	694691	Rod-Connecting
		698340 Kit-			Crankcase	30	694692	Dipper-Connecting
		Bushing/Seal			Used on Type No(s).			Rod
		(Magneto Side)			0117.	32	690976	Screw
		Used on Type No(s).	19	495657	Kit-Bushing/Seal			(Connecting Rod)
		0049, 0119.			(PTO Side)	33	499596	Valve-Exhaust
					----- Note -----	34	697464	Valve-Intake
3	★391086	Seal-Oil			698340 Kit-	35	694865	Spring-Valve
		(Magneto Side)			Bushing/Seal			(Intake)
5	697233	Head-Cylinder			(PTO Side)	36	694865	Spring-Valve
		(Used After Code Date			Used on Type No(s).			(Exhaust)
		01102800)			0049, 0119, 0133.	42	499586	Keeper-Valve
		----- Note -----	20	★391086	Seal-Oil	45	690977	Tappet-Valve
		698040 Head-Cylinder			(PTO Side)	46	790496	Camshaft
		(Used Before Code	21	281658	Cap-Oil Fill	51	◆◆694874	Gasket-Intake
		Date 01102900)	22	695174	Screw	51A	◆◆694875	Gasket-Intake
					(Crankcase	53	694869	Stud
7	★△694872	Gasket-Cylinder Head			Cover/Sump)			(Carburetor)
11A	695305	Tube-Breather	23	694954	Flywheel			Used on Type No(s).
11C	696796	Tube-Breather			----- Note -----			0114.
		Used on Type No(s).			695485 Flywheel	53A	695433	Stud
		0114.			Used on Type No(s).			(Carburetor)
12	★694953	Gasket-Crankcase			0041, 0110, 0119,	55	695288	Housing-Rewind
13	690360	Screw			0127.			Starter
		(Cylinder Head)	24	222698	Key-Flywheel	58	693389	Rope-Starter
15	691686	Plug-Oil Drain	25	694003	Piston Assembly			(Cut To Required
15A	691682	Plug-Oil Drain			(Standard)			Length)
16	695462	Crankshaft			----- Note -----	59	805957	Insert-Grip
		----- Note -----			694005 Piston	60	490652	Grip-Starter Rope
		694678 Crankshaft			Assembly	65	690837	Screw
		Used on Type No(s).			(.010" Oversize)			(Rewind Starter)
		0114, 0120.			694007 Piston			----- Note -----
		695817 Crankshaft			Assembly			690759 Screw
		Used on Type No(s).			(.020" Oversize)			(Rewind Starter)
		0049, 0119, 0133.			694009 Piston	79	690614	Case-Gear Reduction
		695818 Crankshaft			Assembly	80	691603	Gasket-Gear Case
		Used on Type No(s).			(.030" Oversize)	81	695400	Lock-Muffler Screw
		0035, 0130.			694004 Ring Set	82	690287	Screw
		696412 Crankshaft	26	694004	(Standard)			(Gear Reduction Case)
		Used on Type No(s).			----- Note -----	83	690387	Shaft-Auxiliary Drive
		0118.			694006 Ring Set	84	691121	Plug-Breather
17	695434	Bearing-Ball			(.010" Oversize)	85	691076	Screw
					694008 Ring Set			(Gear Cover to Gear
					(.020" Oversize)			Reduction Case)
					694010 Ring Set			
					(.030" Oversize)			

★ Included in Engine Gasket Set-Ref. No.358.

● Included in Carburetor Overhaul Kit-Ref. No. 121.

◆ Included in Carburetor Gasket Set-Ref. No. 977.

△ Included in Valve Gasket Set-Ref. No 1095.

Illustrations cover a range of engines. Parts shown without corresponding text may not be used on your specific engine.

203400

REF. NO.	PART NO.	DESCRIPTION	REF. NO.	PART NO.	DESCRIPTION	REF. NO.	PART NO.	DESCRIPTION
86	690613	Cover-Gear	127A	690727	Plug-Welch	190	692127	Screw
87	391086	Seal-Gear Reduction	130A	696139	Valve-Throttle			(Fuel Tank)
88	691601	Gasket-Gear Reduction Cover	133A	694914	Float-Carburetor	192	690083	Adjuster-Rocker Arm
89	690283	Plug-Oil	135	696142	Tube-Fuel Transfer	209	694867	Spring-Governor
95A	690718	Screw (Throttle Valve)	137A	◆695426	Gasket-Float Bowl	211	695307	Spring-Governed Idle
97A	696140	Shaft-Throttle	141B	696144	Kit-Choke Shaft	219	693578	Gear-Governor
		----- Note -----	141C	698457	Kit-Choke Shaft (Used After Code Date 03063000 and Before Code Date 04031500). Used on Type No(s). 0114.	220	691724	Washer (Governor Gear)
98A	◆695408	Kit-Idle Speed	146	690979	Key-Timing	222	695380	Bracket-Control
104A	◆694918	Pin-Float Hinge	161A	694870	Base-Air Cleaner (Metal) (Used After Code Date 03062900). Used on Type No(s). 0114.	222A	694866	Bracket-Control Used on Type No(s). 0114, 0120.
105A	◆696136	Valve-Float Needle				227	694864	Lever-Governor Control
108	696143	Valve-Choke				231	690718	Screw (Choke Valve)
109D	790148	Shaft-Choke				240	394358	Filter-Fuel Used on Type No(s). 0117.
109E	696735	Shaft-Choke (Used After Code Date 04031500) Used on Type No(s). 0114.				240A	694485	Filter-Fuel
109F	699961	Shaft-Choke (Used After Code Date 04031500) Used on Type No(s). 0114.				265	691024	Clamp-Casing
117	◆696134	Jet-Main (Standard)	163	692277	Gasket-Air Cleaner Used on Type No(s). 0114.	267	692577	Screw (Casing Clamp)
118	696135	Jet-Main (High Altitude)	176	◆◆691917	Seal-O Ring (Air Cleaner Base)	268	691025	Casing-Control Wire (Cut To Required Length)
121A	696146	Kit-Carburetor Overhaul (Nikki)	185	690958	Nut (Air Cleaner Base)	269	691026	Wire-Control (Cut To Required Length)
122	★△◆694876	Spacer-Carburetor	186A	691764	Connector-Hose Used on Type No(s). 0117.	270	691027	Nut (Control Wire Casing)
125A	696133	Carburetor	187	691050	Line-Fuel (Cut To Required Length)	271	691028	Lever-Control
		----- Note -----	187B	695482	Line-Fuel	271A	695381	Lever-Control
		697351 Carburetor (Used After Code Date 00100100 and Before Code Date 03063000). Used on Type No(s). 0114.	187C	695483	Line-Fuel	272	691168	Lock-Screw Head
		698456 Carburetor (Used After Code Date 03062900). Used on Type No(s). 0114.	188	690877	Screw (Control Bracket)	277	691075	Washer (Gear Case To Gear Reduction)
		698785 Carburetor Used on Type No(s). 0117.				281	697268	Panel-Control (Used After Code Date 01102800)
125B	699958	Carburetor (Used After Code Date 04031500) Used on Type No(s). 0114.						----- Note -----
								695294 Panel-Control (Used Before Code Date 01102900)

★ Included in Engine Gasket Set-Ref. No.358.

● Included in Carburetor Overhaul Kit-Ref. No. 121.

◆ Included in Carburetor Gasket Set-Ref. No. 977.

△ Included in Valve Gasket Set-Ref. No 1095.

Illustrations cover a range of engines. Parts shown without corresponding text may not be used on your specific engine.

REF. NO.	PART NO.	DESCRIPTION	REF. NO.	PART NO.	DESCRIPTION	REF. NO.	PART NO.	DESCRIPTION
286A	698870	Module–Oil Sensor (Used After Code Date 03010500 and Before Code Date 03072400). Used on Type No(s). 0041, 0127, 0128. ----- Note ----- 698870 Module–Oil Sensor (Used After Code Date 03082700). Used on Type No(s). 0041. 696566 Module–Oil Sensor (Used After Code Date 01111100 and Before Code Date 03010600). Used on Type No(s). 0041. 696566 Module–Oil Sensor (Used After Code Date 01032600 and Before Code Date 01110900). Used on Type No(s). 0041.	286C	699951	Module–Oil Sensor (Used After Code Date 03072300). Used on Type No(s). 0035, 0036, 0049, 0100, 0110, 0111, 0114, 0116, 0117, 0118, 0119, 0120, 0121, 0130, 0131, 0133. 699952 Module–Oil Sensor (Used After Code Date 03072300). Used on Type No(s). 0127, 0128. 699952 Module–Oil Sensor (Used After Code Date 03010500 and Before Code Date 03082800). Used on Type No(s). 0041. 699952 Module–Oil Sensor (Used After Code Date 01110800 and Before Code Date 01111200). Used on Type No(s). 0041.	304	696475	Housing–Blower (Used After Code Date 01102800) ----- Note ----- 697267 Housing–Blower Used on Type No(s). 0041, 0110, 0119, 0127.
286B	696702	Module–Oil Sensor (Used After Code Date 03010500 and Before Code Date 03072400). Used on Type No(s). 0035, 0036, 0049, 0100, 0110, 0111, 0114, 0116, 0117, 0118, 0119, 0120, 0121. 696058 Module–Oil Sensor (Used Before Code Date 03010600). Used on Type No(s). 0110, 0119. 696058 Module–Oil Sensor (Used Before Code Date 01032700). Used on Type No(s). 0041.	287	691693	Screw (Dipstick Tube)	305	691108	Screw (Blower Housing)
			300	697252	Muffler (Used After Code Date 02012000) ----- Note ----- 695311 Muffler (Used Before Code Date 02012100)	306	697240	Shield–Cylinder (Used After Code Date 01102800) ----- Note ----- 694677 Shield–Cylinder (Used Before Code Date 01102900)
						307	691660	Screw (Cylinder Shield)
						309	695479	Motor–Starter
						310	690323	Screw (Starter Motor)
						311	497608	Brush Set
						332	694685	Nut (Flywheel)
						333	715231	Armature–Magneto
						334	691061	Screw (Magneto Armature)
						337	491055	Plug–Spark ----- Note ----- 691043 Plug–Spark Used on Type No(s). 0117, 0120.
						347A	697854	Switch–Rocker

★ Included in Engine Gasket Set–Ref. No.358.

● Included in Carburetor Overhaul Kit–Ref. No. 121.

◆ Included in Carburetor Gasket Set–Ref. No. 977.

△ Included in Valve Gasket Set–Ref. No 1095.

Illustrations cover a range of engines. Parts shown without corresponding text may not be used on your specific engine.

203400

REF. NO.	PART NO.	DESCRIPTION	REF. NO.	PART NO.	DESCRIPTION	REF. NO.	PART NO.	DESCRIPTION
356	692603	Wire-Stop (1 Wire, 6-1/2" Long) (Push-On Insulated Female Blade Terminal, And RingTerminal)	501	691185	Regulator	616	694675	Crank-Governor
356C	695295	Wire-Stop	503	691532	Strap-Starter	621	692310	Switch-Stop
356D	695366	Wire-Stop	504	695383	Washer Set-Friction	627	696064	Bracket-Stopswitch Used on Type No(s). 0041, 0127.
356E	696328	Wire-Stop Used on Type No(s). 0041.	505	691251	Nut (Governor Control Lever)	628	690297	Screw (Fuel Pump Bracket)
356F	697336	Wire-Stop	510	693699	Drive-Starter	632	696059	Link-Throttle
356H	696482	Wire-Stop	513	692024	Clutch-Drive	633B ♦	690998	Seal-Choke/Throttle Shaft
356J	699994	Wire-Stop	523	695344	Dipstick	635	710901	Boot-Spark Plug
358	695438	Gasket Set-Engine	524	691876	Seal-Dipstick Tube	636	691029	Nut (Starting Switch) Used on Type No(s). 0041.
361	691681	Screw (Starting Switch) Used on Type No(s). 0041, 0127.	525	695343	Tube-Dipstick	641	691075	Washer (Starting Switch) Used on Type No(s). 0041, 0049, 0127, 0133.
364A	699947	Terminal-Oil Plug	526	690297	Screw (Regulator)	641A	690282	Washer (Starting Switch) Used on Type No(s). 0041.
369	695422	Spring-Float Bowl	544	692034	Armature-Starter	663A	690372	Screw (Control Panel) Used on Type No(s). 0041, 0127.
383	19374	Wrench-Spark Plug	552	694674	Bushing-Governor Crank	663B	692577	Screw (Control Panel)
387	808656	Pump-Fuel	562	691119	Bolt (Governor Control Lever)	664	691087	Nut (Key Switch) Used on Type No(s). 0041, 0127.
410	695382	Link-Control	564	692198	Screw (Control Cover)	668	694257	Spacer (Control Bracket)
425	694515	Screw (Air Cleaner Cover)	575	692303	Switch-Starting Used on Type No(s). 0041, 0127.	676	393761	Deflector-Muffler
445	491588	Filter-Air Cleaner Cartridge Used on Type No(s). 0114.	577	690630	Cable-Starter Used on Type No(s). 0041.			
445A	695302	Filter-Air Cleaner Cartridge	579	691029	Nut (Starter Cable)			
455	694683	Cup-Flywheel	592	690800	Nut (Rewind Starter)			
456	692299	Plate-Pawl Friction	597	691696	Screw (Pawl Friction Plate)			
459	281505	Pawl-Ratchet	601	95162	Clamp-Hose			
467	691668	Knob-Air Cleaner	604	699066	Cover-Control			
474D	695466	Alternator (10 Amp Regulator)	608	695287	Starter-Rewind			
493	694861	Bracket-Mounting	613	695312	Screw (Muffler)			
493A	691177	Bracket-Mounting	613A	695399	Screw (Muffler)			
500	691086	Washer (Key Switch) Used on Type No(s). 0041, 0127.	615	694676	Retainer-Governor Shaft			

★ Included in Engine Gasket Set-Ref. No.358.

● Included in Carburetor Overhaul Kit-Ref. No. 121.

◆ Included in Carburetor Gasket Set-Ref. No. 977.

△ Included in Valve Gasket Set-Ref. No 1095.

Illustrations cover a range of engines. Parts shown without corresponding text may not be used on your specific engine.

REF. NO.	PART NO.	DESCRIPTION	REF. NO.	PART NO.	DESCRIPTION	REF. NO.	PART NO.	DESCRIPTION		
677	690661	Screw (Muffler Deflector) ----- Note ----- 690367 Screw (Muffler Deflector) Used on Type No(s). 0120.	802	691286	Cap-End	918	393815	Hose-Vacuum Used on Type No(s). 0117.		
689	691855	Spring-Friction	803	693757	Housing-Starter	957	694261	Cap-Fuel Tank (Plastic)		
697	690372	Screw (Drive Cap)	813	690635	Clamp	958	698180	Valve-Fuel Shut Off (Plastic)		
718	690959	Pin-Locating	832	695386	Guard-Muffler	967	491435	Filter-Pre Cleaner Used on Type No(s). 0114.		
718A	695178	Pin-Locating (Head)	836	695312	Screw (Muffler Guard) (Used After Code Date 01061000)	967A	695303	Filter-Pre Cleaner		
727	697465	Cover-Starter Drive			----- Note ----- 690367 Screw (Muffler Guard) (Used Before Code Date 01061100)	968A	692321	Cover-Air Cleaner Used on Type No(s). 0114.		
727A	699066	Cover-Starter Drive Used on Type No(s). 0117.	842	691031	Seal-O Ring (Dipstick Tube)	968B	695301	Cover-Air Cleaner		
732	691097	Screw (Starter Drive Cover)	843	695588	Sleeve-Lever	971	695181	Screw (Air Cleaner Base to Carburetor)		
741	691288	Gear-Timing	847	695342	Dipstick/Tube Assembly	972	694260	Tank-Fuel (Plastic)		
742	692564	Retainer-E Ring	868	★690968	Seal-Valve	975A	696138	Bowl-Float		
746	694679	Gear-Idler	875	695304	Base-Air Cleaner (Plastic) Used on Type No(s). 0035, 0036, 0041, 0049, 0100, 0110, 0116, 0118, 0130, 0131, 0133.	977A	696147	Gasket Set-Carburetor (Use With Nikki Carburetor)		
773	694258	Retainer			877C	399916	Wire/Connector- Alternator Used on Type No(s). 0049, 0133.	990	691959	Key Set Used on Type No(s). 0041, 0127.
774	695447	Screw (Stop Wire)			883	695398	Gasket-Exhaust (Used Before Code Date 02012000)	1005	694684	Fan-Flywheel
783	693713	Gear-Pinion			883A	697255	Gasket-Exhaust (Used After Code Date 02011900)	1019	695442	Kit-Label
788	699078	Bracket-Fuel Pump Used on Type No(s). 0117.			892	392833	Switch-Key Used on Type No(s). 0041, 0127.	1022	690971	Gasket-Rocker Cover
797	693167	Nut (Brush Retainer)			914	693732	Screw (Rocker Cover)	1023	697691	Cover-Rocker
798	697890	Screw (Rocker Arm)						1026	695177	Rod-Push
799	695446	Screw (Oil Sensor) (M4) ----- Note ----- 692581 Screw (Oil Sensor) (1/2-20)						1029	690972	Arm-Rocker
801	694482	Cap-Drive						1036	790466	Label-Emissions (Used After Code Date 04063000) ----- Note ----- 698237 Label- Emissions (Used After Code Date 02063000 and Before Code Date 04070100). 695703 Label- Emissions (Used Before Code Date 02070100)
								1051	691265	Ring-Retaining

★ Included in Engine Gasket Set-Ref. No.358.

● Included in Carburetor Overhaul Kit-Ref. No. 121.

◆ Included in Carburetor Gasket Set-Ref. No. 977.

△ Included in Valve Gasket Set-Ref. No 1095.

Illustrations cover a range of engines. Parts shown without corresponding text may not be used on your specific engine.
6594-15 Assemblies include all parts shown in frames. 06/24/2004

203400

REF. NO.	PART NO.	DESCRIPTION	REF. NO.	PART NO.	DESCRIPTION	REF. NO.	PART NO.	DESCRIPTION
1052	698869	Sensor–Oil (Used After Code Date 03010500 and Before Code Date 03072300). Used on Type No(s). 0035, 0036, 0041, 0049, 0100, 0110, 0111, 0114, 0116, 0117, 0118, 0119, 0120, 0121, 0127, 0128.	1052A	790274	Sensor–Oil (Used After Code Date 03072200) Used on Type No(s). 0035, 0036, 0041, 0049, 0100, 0110, 0111, 0114, 0116, 0117, 0118, 0119, 0120, 0121, 0127, 0128, 0129, 0130, 0131, 0133.	1090	691293	Retainer–Brush
	699117	Sensor–Oil (Used Before Code Date 03010600). Used on Type No(s). 0041.	1054	280275	Tie–Cable Used on Type No(s). 0114.	1095	695440	Gasket Set–Valve
			1058	275092	Manual–Owner’s	1100	690973	Pivot–Rocker Arm
			1070	691058	Screw (Flywheel Fan)	1119	691183	Screw (Alternator)
						1127A	695407	Screw (Float Bowl)
						1138	694255	Nut (Control Bracket)
						1210	498144	Pulley/Spring Assembly (Pulley)
						1211	498144	Pulley/Spring Assembly (Spring)
						1330	272147	Repair Manual

★ Included in Engine Gasket Set–Ref. No.358.

● Included in Carburetor Overhaul Kit–Ref. No. 121.

◆ Included in Carburetor Gasket Set–Ref. No. 977.

△ Included in Valve Gasket Set–Ref. No 1095.

Illustrations cover a range of engines. Parts shown without corresponding text may not be used on your specific engine.