

207400

Illustrated Parts List

Model Series

207400

TYPE NUMBERS
0115 through 0132.

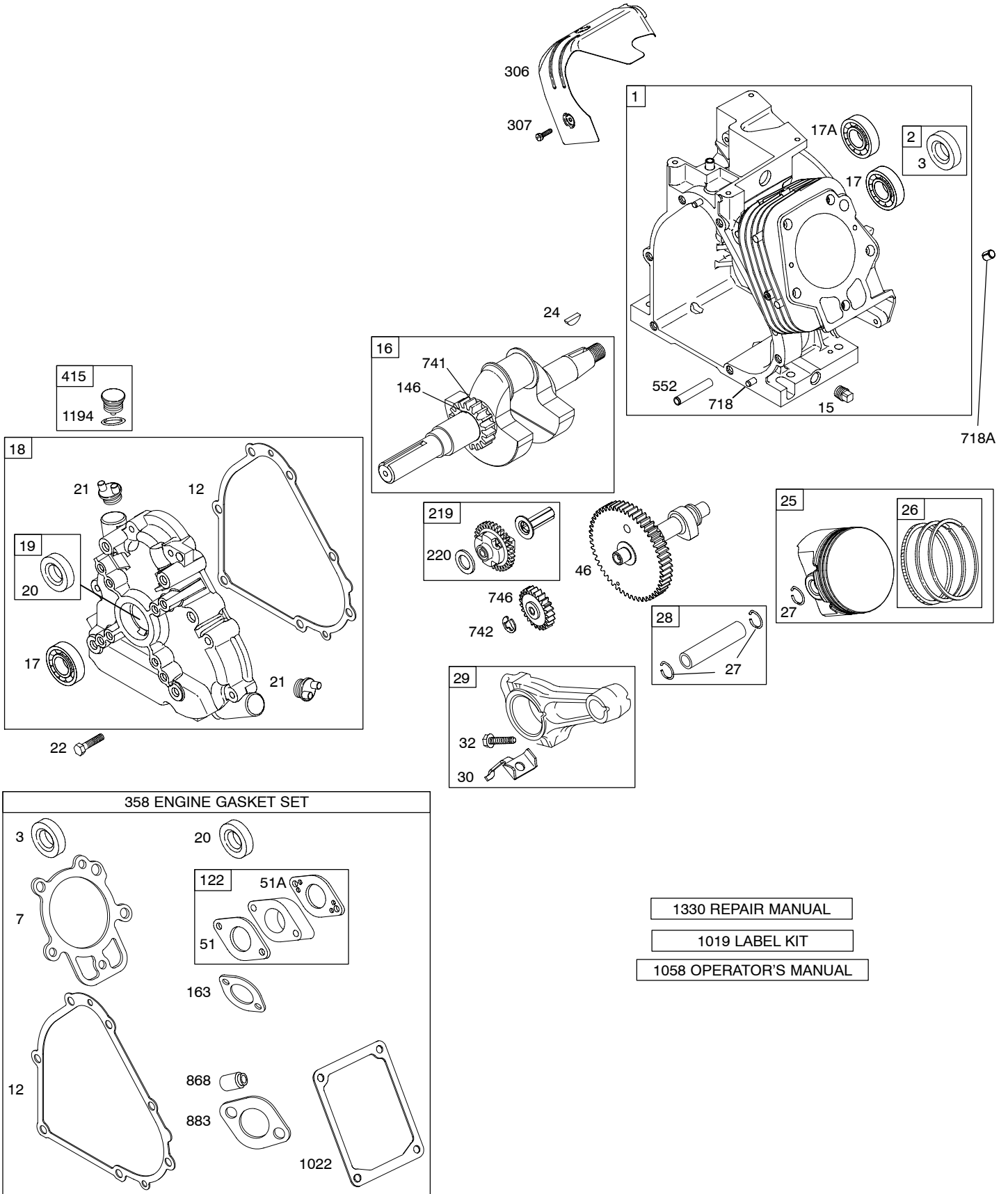
TABLE OF CONTENTS

| | |
|-------------------------------------|----|
| Air Cleaner | 6 |
| Alternator | 10 |
| Blower Housing/Shrouds | 7 |
| Camshaft | 2 |
| Carburetor #1 | 4 |
| Carburetor #2 | 5 |
| Controls | 8 |
| Crankcase Cover | 2 |
| Crankshaft | 2 |
| Cylinder | 2 |
| Cylinder Head | 3 |
| Electric Starter | 9 |
| Exhaust System | 6 |
| Flywheel | 7 |
| Fuel Supply | 8 |
| Gear Reduction | 9 |
| Governor Spring | 8 |
| Ignition | 10 |
| Kit/Gasket Sets-Carburetor | 5 |
| Kit/Gasket Sets-Engine | 2 |
| Kit/Gasket Sets-Valve | 3 |
| Lubrication | 2 |
| Piston, Rings, Connecting Rod | 2 |
| Rewind Starter | 7 |
| Valves | 3 |

PRINTED IN U.S.A.



COPYRIGHT by BRIGGS & STRATTON CORPORATION
All rights reserved. No part of this material may be reproduced or transmitted, in any form or by any means, electronic or mechanical, including photocopying, recording or by any information storage and retrieval system, without permission in writing from Briggs & Stratton Corporation.

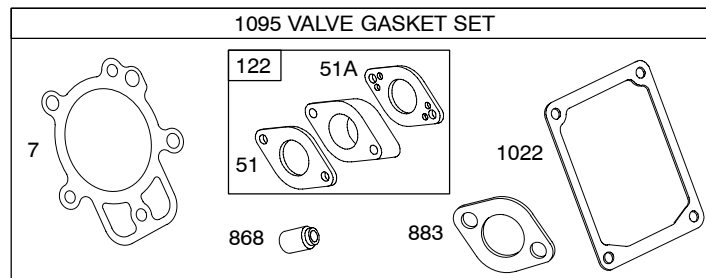
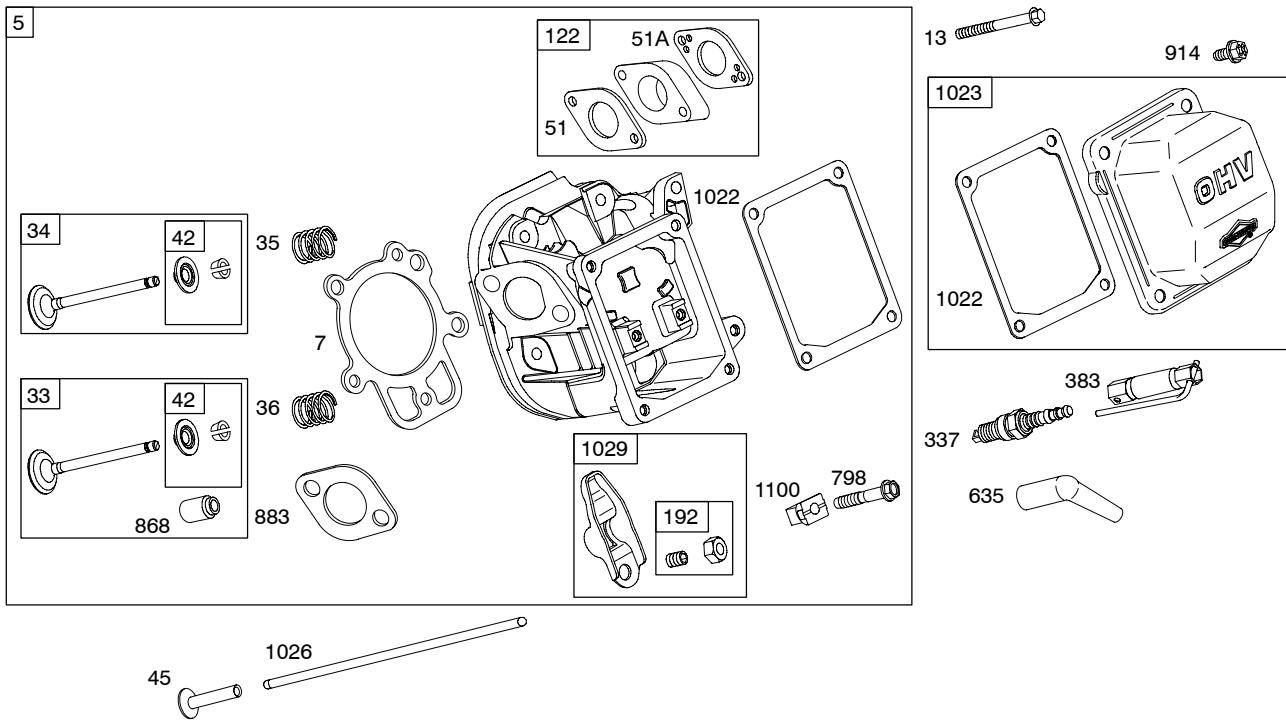


1330 REPAIR MANUAL

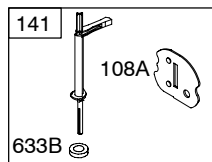
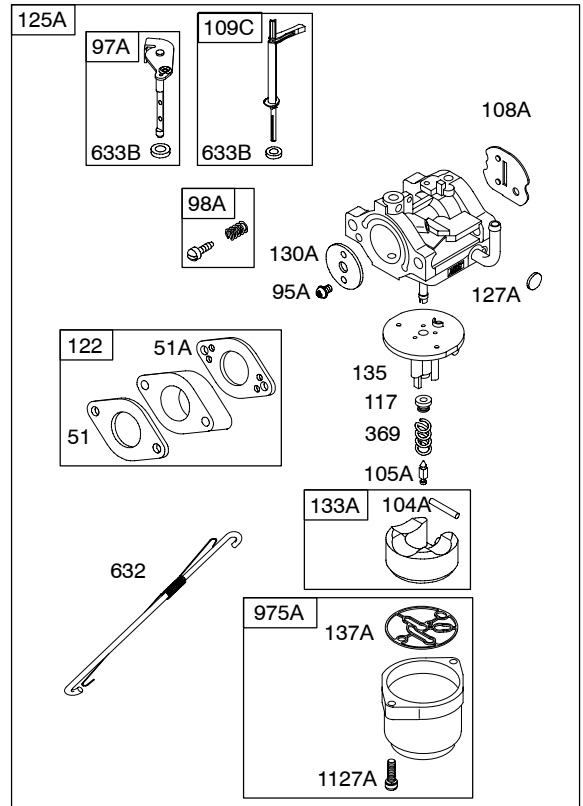
1019 LABEL KIT

1058 OPERATOR'S MANUAL

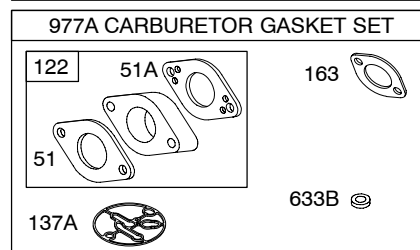
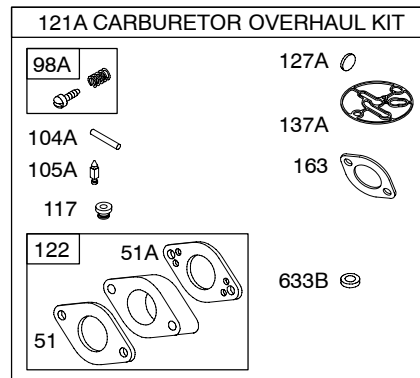
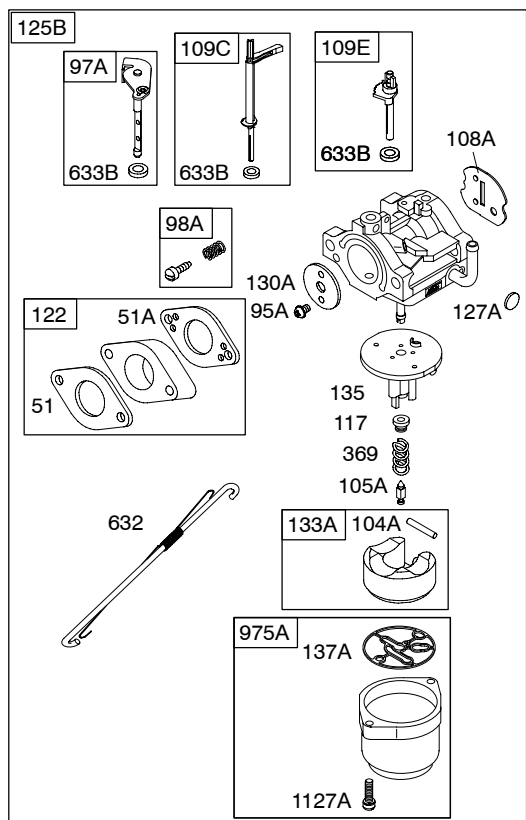
Illustrations cover a range of engines. Parts shown without corresponding text are not used on this engine.



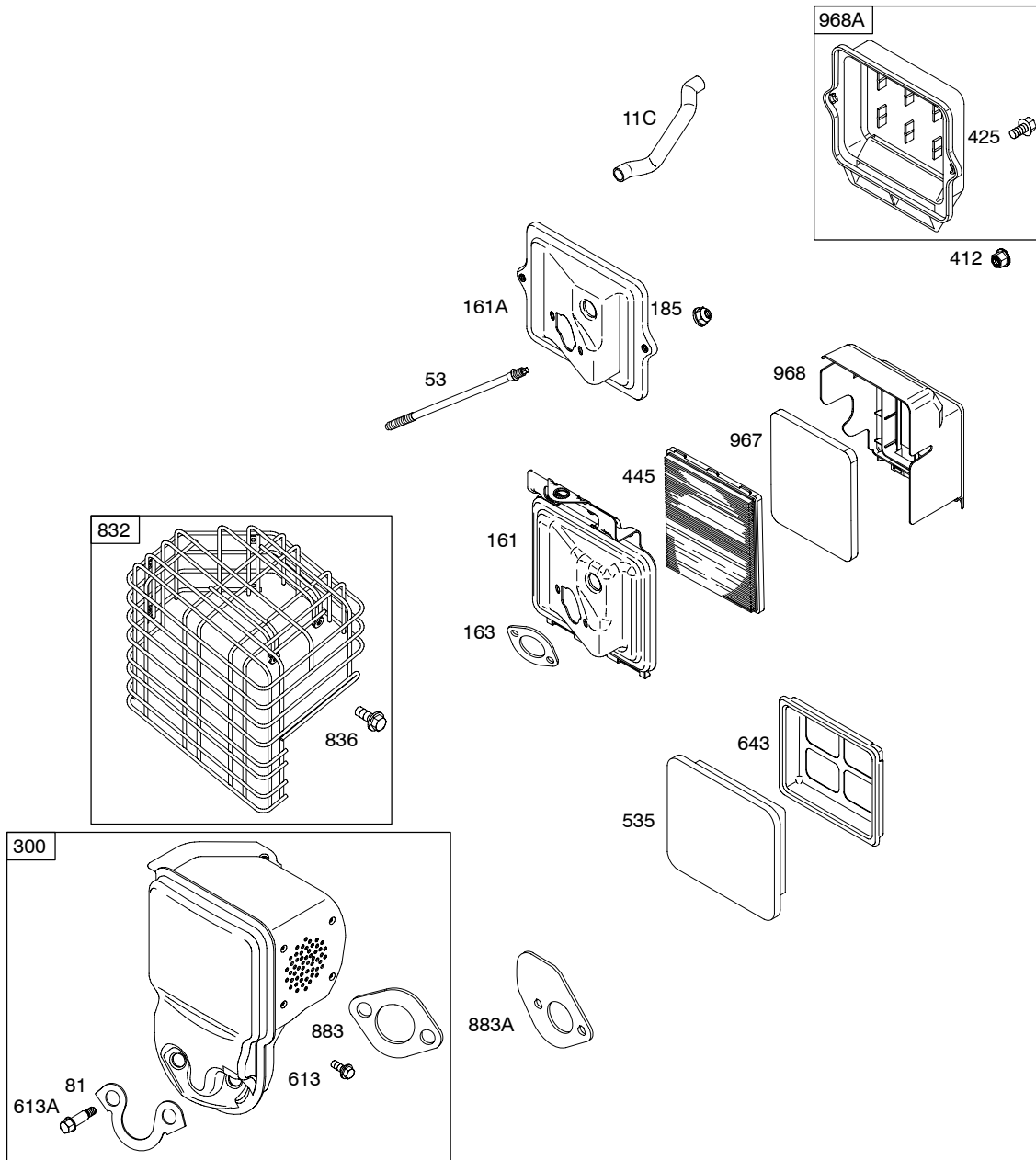
Illustrations cover a range of engines. Parts shown without corresponding text are not used on this engine.



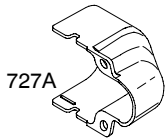
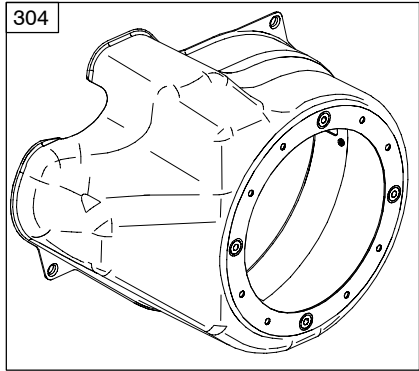
Illustrations cover a range of engines. Parts shown without corresponding text are not used on this engine.



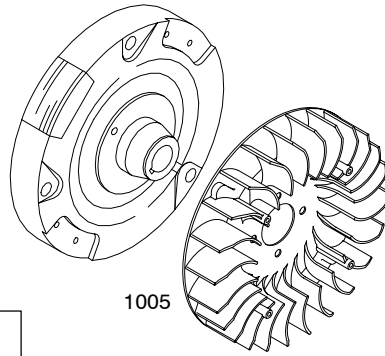
Illustrations cover a range of engines. Parts shown without corresponding text are not used on this engine.



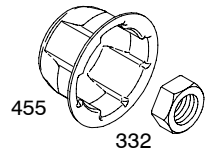
1036 EMISSION LABEL



23

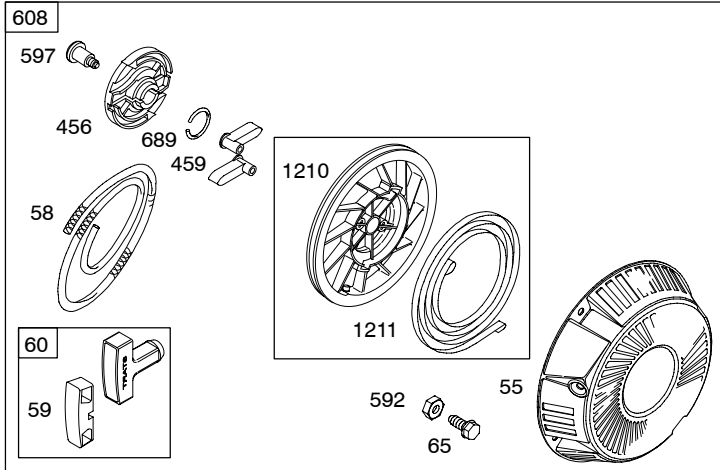


1005

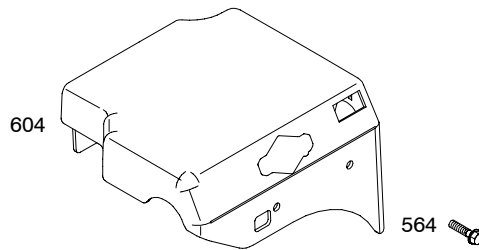
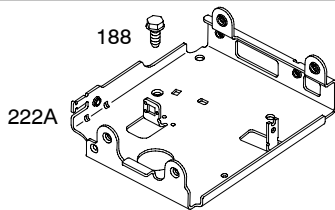
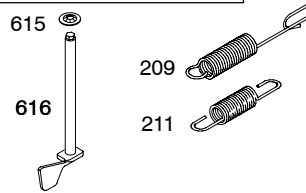
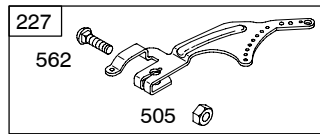
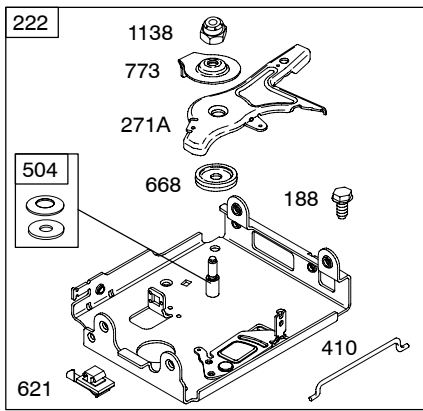
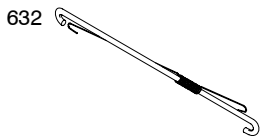
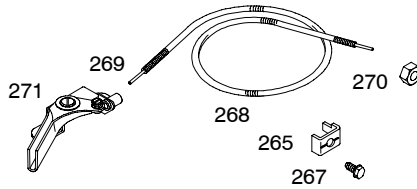
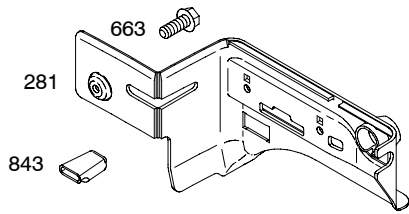


455

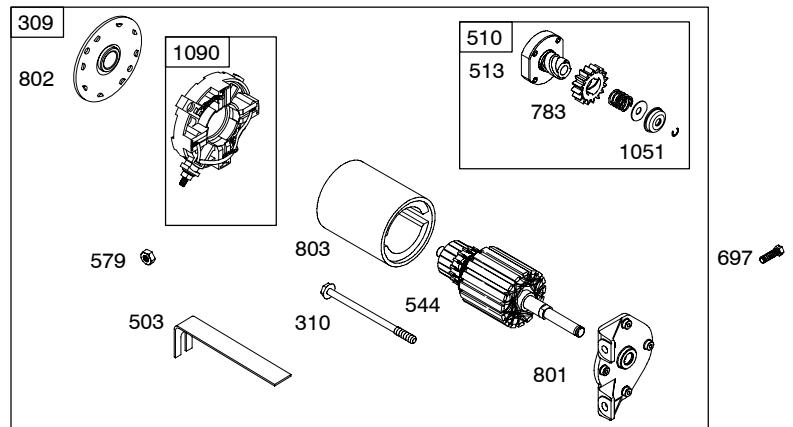
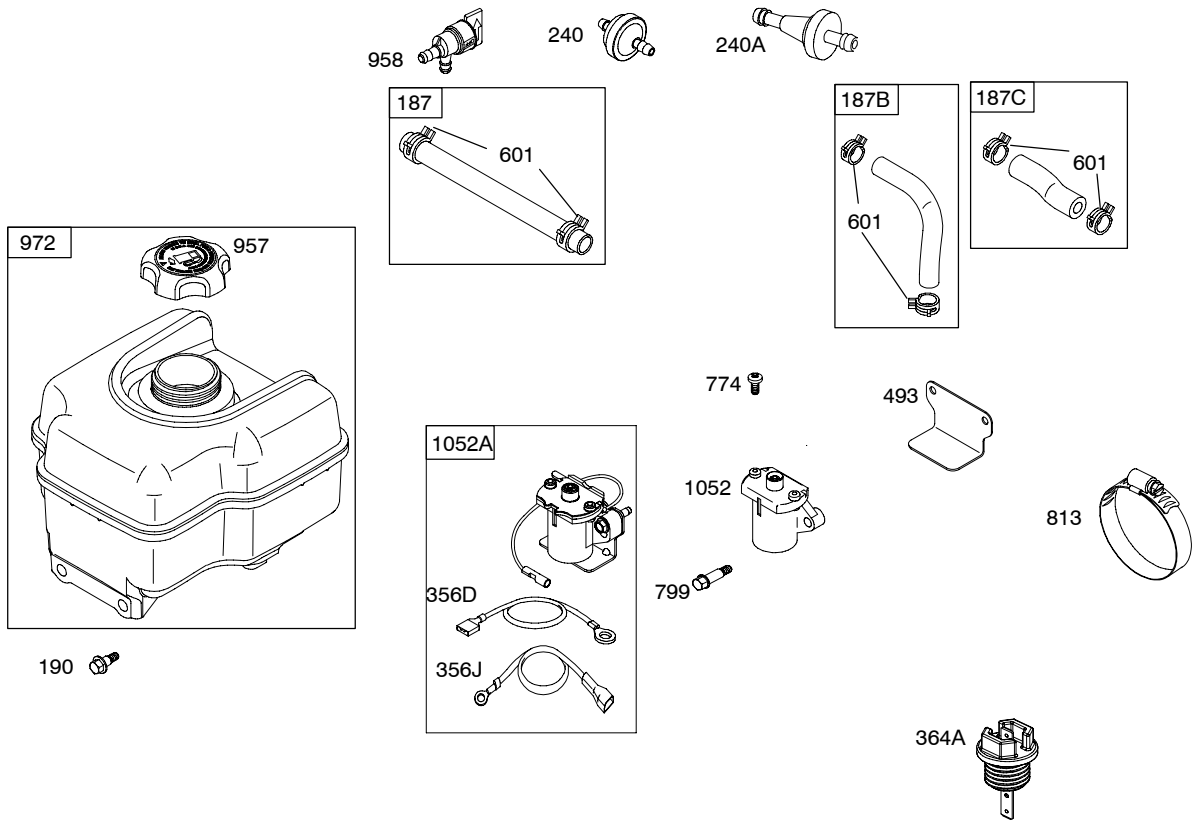
332



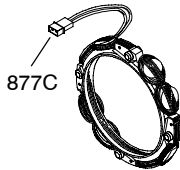
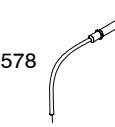


Illustrations cover a range of engines. Parts shown without corresponding text are not used on this engine.

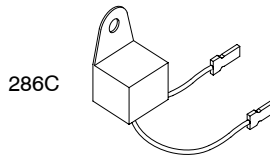
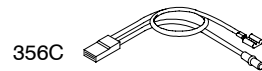
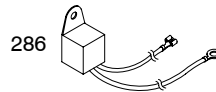
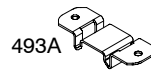
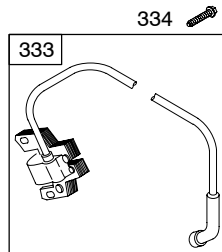
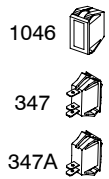
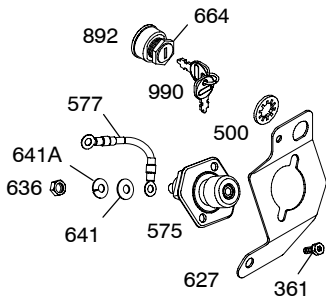


Illustrations cover a range of engines. Parts shown without corresponding text are not used on this engine.



Illustrations cover a range of engines. Parts shown without corresponding text are not used on this engine.

| | |
|--|--|
| | 10 - 16 AMP |
| | <div style="border: 1px solid black; padding: 2px; width: fit-content; margin-bottom: 5px;">474D</div>  <p>877C</p> |
| |  <p>578</p> |
| <p>NOTE: All stators use a No. 1119 mounting screw. </p> <p>NOTE: The proper flywheel part number and/or the alternator magnet size will determine the alternator type or output. See repair instruction manual for additional information.</p> |  <p>526 501</p> |



| REF. NO. | PART NO. | DESCRIPTION | REF. NO. | PART NO. | DESCRIPTION | REF. NO. | PART NO. | DESCRIPTION | | |
|----------|----------|--|----------|----------|--|---------------|---------------------------|---------------------------|-------------------|---|
| 1 | 696314 | Cylinder Assembly | 24 | 222698 | Key-Flywheel | 58 | 693389 | Rope-Starter | | |
| 2 | 495657 | Kit-Bushing/Seal (Magneto Side) | 25 | 694003 | Piston Assembly (Standard) | | | (Cut To Required Length) | | |
| 3 | ★391086 | Seal-Oil (Magneto Side) | | | ----- Note ----- | 59 | 805957 | Insert-Grip | | |
| 5 | 697233 | Head-Cylinder (Used After Code Date 01102800) | | | 694005 Piston Assembly (.010" Oversize) | 60 | 490652 | Grip-Starter Rope | | |
| | | ----- Note ----- | | | 694007 Piston Assembly (.020" Oversize) | 65 | 690759 | Screw (Rewind Starter) | | |
| | | 698040 Head-Cylinder (Used Before Code Date 01102900) | | | 694009 Piston Assembly (.030" Oversize) | 81 | 695400 | Lock-Muffler Screw | | |
| 7 | ★△694872 | Gasket-Cylinder Head | 26 | 694004 | Ring Set (Standard) | 95A | 690718 | Screw (Throttle Valve) | | |
| 11C | 696796 | Tube-Breather | | | ----- Note ----- | 97A | 696387 | Shaft-Throttle | | |
| 12 | ★694953 | Gasket-Crankcase | | | 694006 Ring Set (.010" Oversize) | 98A | ●695408 | Kit-Idle Speed | | |
| 13 | 690360 | Screw (Cylinder Head) | | | 694008 Ring Set (.020" Oversize) | 104A | ●694918 | Pin-Float Hinge | | |
| 15 | 691686 | Plug-Oil Drain | | | 694010 Ring Set (.030" Oversize) | 105A | ●696136 | Valve-Float Needle | | |
| 16 | 695462 | Crankshaft | | | 27 | 690975 | Lock-Piston Pin | | | |
| | | ----- Note ----- | | | 28 | 696581 | Pin-Piston | | | |
| | | 694678 Crankshaft Used on Type No(s). 0121, 0123, 0125, 0126, 0130, 0131. | | | 29 | 694691 | Rod-Connecting | | | |
| 17 | 695434 | Bearing-Ball | | | 30 | 694692 | Dipper-Connecting Rod | | | |
| 17A | 691069 | Bearing-Ball | | | 32 | 690976 | Screw (Connecting Rod) | | | |
| 18 | 695372 | Cover-Crankcase | | | 33 | 499596 | Valve-Exhaust | | | |
| 19 | 495657 | Kit-Bushing/Seal (PTO Side) | | | 34 | 697464 | Valve-Intake | | | |
| 20 | ★391086 | Seal-Oil (PTO Side) | | | 35 | 694865 | Spring-Valve (Intake) | | | |
| 21 | 281658 | Cap-Oil Fill | | | 36 | 694865 | Spring-Valve (Exhaust) | | | |
| 22 | 695174 | Screw (Crankcase Cover/Sump) | | | 42 | 499586 | Keeper-Valve | | | |
| 23 | 694954 | Flywheel Used on Type No(s). 0115, 0121, 0122, 0126, 0130. | | | 45 | 690977 | Tappet-Valve | | | |
| | | ----- Note ----- | | | 46 | 790496 | Camshaft | | | |
| | | 695485 Flywheel Used on Type No(s). 0117, 0123, 0124, 0125, 0127. | | | 51★△●694874 | Gasket-Intake | | | | |
| | | | | | 51A★△●694875 | Gasket-Intake | | | | |
| | | | | | 53 | 694869 | Stud (Carburetor) | | | |
| | | | | | 55 | 695288 | Housing-Rewind Starter | | | |
| | | | | | | | | 109E | 696735 | Shaft-Choke Used on Type No(s). 0131. |
| | | | | | | | | 109F | 699961 | Shaft-Choke Used on Type No(s). 0131. |
| | | | | | | | | 117 | ●696134 | Jet-Main (Standard) |
| | | | | | | | | 118 | 696135 | Jet-Main (High Altitude) |
| | | | | | | | | 121A | 696146 | Kit-Carburetor Overhaul (Nikki) |
| | | | | | | | | 122★△●694876 | Spacer-Carburetor | |
| | | | | | | | | 125A | 695919 | Carburetor (Nikki) |
| | | | | | | | | 125B | 699966 | Carburetor (Nikki) Used on Type No(s). 0131. |
| | | | | | | | | 127A | ●690727 | Plug-Welch |
| | | | | | | | | 130A | 696139 | Valve-Throttle |
| | | | | | | | | 133A | 694914 | Float-Carburetor |
| | | | | | | | | 135 | 696142 | Tube-Fuel Transfer |
| | | | | | | | | 137A | ●695426 | Gasket-Float Bowl |
| | | | | | | | | 141A | 696145 | Kit-Choke Shaft |
| | | | | | | | | 146 | 690979 | Key-Timing |

★ Included in Engine Gasket Set-Ref. No.358.

● Included in Carburetor Overhaul Kit-Ref. No. 121.

◆ Included in Carburetor Gasket Set-Ref. No. 977.

△ Included in Valve Gasket Set-Ref. No 1095.

Illustrations cover a range of engines. Parts shown without corresponding text may not be used on your specific engine.

207400

| REF. NO. | PART NO. | DESCRIPTION | REF. NO. | PART NO. | DESCRIPTION | REF. NO. | PART NO. | DESCRIPTION |
|----------|----------|---|----------|----------|--|----------|----------|--|
| 161 | 695384 | Base–Air Cleaner (Metal) | 269 | 691026 | Wire–Control (Cut To Required Length) | 286B | 696058 | Module–Oil Sensor (Used Before Code Date 03010600) |
| 161A | 699960 | Base–Air Cleaner (Metal) Used on Type No(s). 0131. | 270 | 691027 | Nut (Control Wire Casing) | | | Used on Type No(s). 0117, 0123. |
| 163★◆ | 692277 | Gasket–Air Cleaner | 271 | 691028 | Lever–Control | 286C | 699952 | Module–Oil Sensor (Used After Code Date 03082800) |
| 185 | 690958 | Nut (Air Cleaner Base) | 271A | 695381 | Lever–Control | | | Used on Type No(s). 0124, 0125, 0127. |
| 187 | 691050 | Line–Fuel (Cut To Required Length) | 281 | 697268 | Panel–Control (Used After Code Date 01102800) | | | ----- Note ----- |
| 187B | 695482 | Line–Fuel | | | 695294 Panel–Control (Used Before Code Date 01102900) | | | 699952 Module–Oil Sensor (Used After Code Date 03092300) |
| 187C | 695483 | Line–Fuel | 286 | 696702 | Module–Oil Sensor (Used After Code Date 03010500 and Before Code Date 03072400). Used on Type No(s). 0117, 0121, 0122, 0123. | | | Used on Type No(s). 0129, 0132. |
| 188 | 690877 | Screw (Control Bracket) | | | ----- Note ----- | | | ----- Note ----- |
| 190 | 692127 | Screw (Fuel Tank) | | | 695186 Module–Oil Sensor (Used Before Code Date 03010600) | 300 | 697252 | Muffler (Used After Code Date 02012000) |
| 192 | 690083 | Adjuster–Rocker Arm | | | Used on Type No(s). 0121, 0122. | | | ----- Note ----- |
| 209 | 694867 | Spring–Governor | | | 698870 Module–Oil Sensor (Used After Code Date 03010500 and Before Code Date 03082900). | | | 695311 Muffler (Used Before Code Date 02012100) |
| 211 | 695307 | Spring–Governed Idle (Use With Nikki Carburetor) | | | Used on Type No(s). 0124, 0125, 0127. | 304 | 696475 | Housing–Blower (Used After Code Date 01102800) |
| 219 | 693578 | Gear–Governor | | | 696566 Module–Oil Sensor (Used Before Code Date 03010600) | | | ----- Note ----- |
| 220 | 691724 | Washer (Governor Gear) | | | Used on Type No(s). 0124, 0125. | | | 695481 Housing–Blower (Used Before Code Date 01102900) |
| 222 | 695380 | Bracket–Control | | | 698870 Module–Oil Sensor (Used Before Code Date 03092400) | | | 697267 Housing–Blower (Used on Type No(s). 0117, 0123, 0124, 0125, 0127.) |
| 222A | 694866 | Bracket–Control (Used on Type No(s). 0121, 0123, 0125, 0131.) | | | Used on Type No(s). 0129, 0132. | 305 | 691108 | Screw (Blower Housing) |
| 227 | 694864 | Lever–Governor Control | | | | | | |
| 240 | 394358 | Filter–Fuel (Used on Type No(s). 0121, 0123, 0125.) | | | | | | |
| | | ----- Note ----- | | | | | | |
| | | 298090 Filter–Fuel (Used on Type No(s). 0131.) | | | | | | |
| 240A | 694485 | Filter–Fuel | | | | | | |
| 265 | 691024 | Clamp–Casing | | | | | | |
| 267 | 692577 | Screw (Casing Clamp) | | | | | | |
| 268 | 691025 | Casing–Control Wire (Cut To Required Length) | | | | | | |

★ Included in Engine Gasket Set–Ref. No.358.

● Included in Carburetor Overhaul Kit–Ref. No. 121.

◆ Included in Carburetor Gasket Set–Ref. No. 977.

△ Included in Valve Gasket Set–Ref. No 1095.

Illustrations cover a range of engines. Parts shown without corresponding text may not be used on your specific engine.

| REF. NO. | PART NO. | DESCRIPTION | REF. NO. | PART NO. | DESCRIPTION | REF. NO. | PART NO. | DESCRIPTION |
|----------|----------|---|----------|----------|---|----------|----------|---|
| 306 | 697240 | Shield-Cylinder (Used After Code Date 01102800) ----- Note ----- 694677 Shield-Cylinder (Used Before Code Date 01102900) | 358 | 695438 | Gasket Set-Engine | 503 | 691532 | Strap-Starter Used on Type No(s). 0117, 0123, 0124, 0125, 0127. |
| 307 | 691660 | Screw (Cylinder Shield) | 361 | 691681 | Screw (Starting Switch) | 504 | 695383 | Washer Set-Friction |
| 309 | 695479 | Motor-Starter Used on Type No(s). 0117, 0123, 0124, 0125, 0127. | 364A | 699947 | Terminal-Oil Plug Used on Type No(s). 0117, 0121, 0122, 0123, 0124, 0125, 0127, 0129, 0132. | 505 | 691251 | Nut (Governor Control Lever) |
| 310 | 690323 | Screw (Starter Motor) | 369 | 695422 | Spring-Float Bowl | 510 | 693699 | Drive-Starter |
| 332 | 694685 | Nut (Flywheel) | 383 | 19374 | Wrench-Spark Plug | 513 | 692024 | Clutch-Drive |
| 333 | 715231 | Armature-Magneto | 410 | 695382 | Link-Control | 526 | 690297 | Screw (Regulator) Used on Type No(s). 0117, 0123, 0124, 0125, 0127. |
| 334 | 691061 | Screw (Magneto Armature) | 412 | 690958 | Nut (Air Cleaner Cover) | 535 | 696315 | Filter-Air Cleaner Foam |
| 337 | 491055 | Plug-Spark | 415 | 691363 | Plug | 544 | 692034 | Armature-Starter |
| 347 | 698338 | Switch-Rocker Used on Type No(s). 0115, 0126. | 425 | 694515 | Screw (Air Cleaner Cover) Used on Type No(s). 0131. | 552 | 694674 | Bushing-Governor Crank |
| 347A | 697854 | Switch-Rocker Used on Type No(s). 0121. | 445 | 481588 | Filter-Air Cleaner Cartridge Used on Type No(s). 0131. | 562 | 691119 | Bolt (Governor Control Lever) |
| 356A | 692390 | Wire-Stop Used on Type No(s). 0130. | 455 | 694683 | Cup-Flywheel | 564 | 692198 | Screw (Control Cover) Used on Type No(s). 0121, 0123, 0125, 0131. |
| 356C | 695295 | Wire-Stop | 456 | 692299 | Plate-Pawl Friction | 575 | 692303 | Switch-Starting Used on Type No(s). 0124, 0125, 0127. |
| 356D | 695366 | Wire-Stop (Used Before Code Date 03082900) Used on Type No(s). 0124, 0125, 0127, 0129. ----- Note ----- 695366 Wire-Stop (Used Before Code Date 03072400) Used on Type No(s). 0117, 0121, 0122, 0123. | 493A | 691177 | Bracket-Mounting Used on Type No(s). 0117, 0123, 0124, 0125, 0127. | 577 | 690630 | Cable-Starter Used on Type No(s). 0124, 0125, 0127. |
| 356J | 699994 | Wire-Stop (Used After Code Date 03082800) Used on Type No(s). 0124, 0125, 0127, 0129, 0132. 699994 Wire-Stop (Used After Code Date 03072300) Used on Type No(s). 0117, 0121, 0122, 0123. | 500 | 691086 | Washer (Key Switch) Used on Type No(s). 0124, 0125, 0127. | 578 | 692306 | Wire Assembly Used on Type No(s). 0127. |
| | | | 501 | 691185 | Regulator Used on Type No(s). 0117, 0123, 0124, 0125, 0127. | 579 | 691029 | Nut (Starter Cable) |
| | | | | | | 592 | 690800 | Nut (Rewind Starter) |

★ Included in Engine Gasket Set-Ref. No.358.

● Included in Carburetor Overhaul Kit-Ref. No. 121.

◆ Included in Carburetor Gasket Set-Ref. No. 977.

△ Included in Valve Gasket Set-Ref. No 1095.

Illustrations cover a range of engines. Parts shown without corresponding text may not be used on your specific engine.

207400

| REF. NO. | PART NO. | DESCRIPTION | REF. NO. | PART NO. | DESCRIPTION | REF. NO. | PART NO. | DESCRIPTION |
|----------|----------|--|----------|----------|--|----------|----------|--|
| 597 | 691696 | Screw (Pawl Friction Plate) | 664 | 691087 | Nut (Key Switch) | 836 | 695312 | Screw (Muffler Guard) |
| 601 | 95162 | Clamp-Hose | | | Used on Type No(s). 0124, 0125, 0127. | | | (Used After Code Date 01061000) |
| 604 | 697326 | Cover-Control Used on Type No(s). 0121, 0123, 0125, 0131. | 668 | 694257 | Spacer (Control Bracket) | | | ----- Note ----- |
| 608 | 695287 | Starter-Rewind | 689 | 691855 | Spring-Friction | | | 690367 Screw (Muffler Guard) |
| 613 | 695312 | Screw (Muffler) | 697 | 690372 | Screw (Drive Cap) | | | (Used Before Code Date 01061100) |
| 613A | 695399 | Screw (Muffler) | | | Used on Type No(s). 0117, 0123, 0124, 0125. | 843 | 695588 | Sleeve-Lever |
| 615 | 694676 | Retainer-Governor Shaft | 718 | 690959 | Pin-Locating (Cylinder) | 868 | ★△690968 | Seal-Valve |
| 616 | 694675 | Crank-Governor | 718A | 695178 | Pin-Locating (Head) | 877C | 399916 | Wire/Connector- Alternator |
| 621 | 692310 | Switch-Stop Used on Type No(s). 0124, 0125, 0127, 0129, 0130. | | | Used on Type No(s). 0117, 0123. | 883 | ★△695398 | Gasket-Exhaust (Used Before Code Date 02012000) |
| 627 | 696064 | Bracket-Stopswitch Used on Type No(s). 0124, 0125, 0127. | 727A | 697465 | Cover-Starter Drive Used on Type No(s). 0117, 0123, 0124, 0125, 0127. | 883A | ★△697255 | Gasket-Exhaust (Used After Code Date 02011900) |
| 632 | 695917 | Link-Throttle (Use With Nikki Carburetor) | | | Used on Type No(s). 0117, 0123, 0127. | 892 | 392833 | Switch-Key Used on Type No(s). 0124, 0125, 0127. |
| 633B | ◆690998 | Seal Choke- Throttle Shaft | 732 | 691097 | Screw (Starter Drive Cover) | 914 | 693732 | Screw (Rocker Cover) |
| 635 | 710901 | Boot-Spark Plug | | | Used on Type No(s). 0117, 0123, 0127. | 957 | 694261 | Cap-Fuel Tank (Plastic) |
| 636 | 696198 | Nut (Starting Switch) | 741 | 691288 | Gear-Timing | 958 | 698180 | Valve-Fuel Shut Off (Plastic) |
| | | Used on Type No(s). 0124, 0125, 0127. | 742 | 692564 | Retainer-E Ring | 967 | 491435 | Filter-Pre Cleaner |
| 641 | 691075 | Washer (Starting Switch) | 746 | 694679 | Gear-Idler | 968 | 697061 | Cover-Air Cleaner |
| | | Used on Type No(s). 0124, 0125, 0127. | 773 | 694258 | Retainer | 968A | 692321 | Cover-Air Cleaner Used on Type No(s). 0131. |
| 641A | 690282 | Washer (Starting Switch) | 774 | 695447 | Screw (Stop Wire) | 972 | 694260 | Tank-Fuel (Plastic) |
| 643 | 696264 | Retainer-Air Filter | 783 | 693713 | Gear-Pinion | 975A | 696138 | Bowl-Float |
| 663 | 692577 | Screw (Control Panel) | 798 | 697890 | Screw (Rocker Arm) | 977A | ◆696147 | Gasket Set-Carburetor (Use With Nikki Carburetor) |
| | | ----- Note ----- | 799 | 695446 | Screw (Oil Sensor) | | | 990 691959 Key Set Used on Type No(s). 0124, 0125, 0127. |
| | | 690372 Screw (Control Panel) | 801 | 694482 | Cap-Drive | 1005 | 694684 | Fan-Flywheel |
| | | Used on Type No(s). 0124, 0125, 0127. | 802 | 691286 | Cap-End | | | |
| | | | 803 | 693757 | Housing-Starter | | | |
| | | | 813 | 690635 | Clamp Used on Type No(s). 0117, 0123, 0124, 0125, 0127. | | | |
| | | | 832 | 695386 | Guard-Muffler | | | |

★ Included in Engine Gasket Set-Ref. No.358.

● Included in Carburetor Overhaul Kit-Ref. No. 121.

◆ Included in Carburetor Gasket Set-Ref. No. 977.

△ Included in Valve Gasket Set-Ref. No 1095.

Illustrations cover a range of engines. Parts shown without corresponding text may not be used on your specific engine.

| REF. NO. | PART NO. | DESCRIPTION | REF. NO. | PART NO. | DESCRIPTION | REF. NO. | PART NO. | DESCRIPTION |
|----------|----------|--|----------|----------|-------------------------|----------|----------|---------------------------------------|
| 1019 | 695442 | Kit-Label | 1058 | 275092 | Manual-Operator's | 1138 | 694255 | Nut (Control Bracket) |
| 1022 | ★△690971 | Gasket-Rocker Cover | 1070 | 691058 | Screw (Flywheel Fan) | 1194 | 691876 | Seal-O Ring (Plug) |
| 1023 | 697691 | Cover-Rocker | 1090 | 691293 | Retainer-Brush | 1210 | 498144 | Pulley/Spring Assembly (Pulley) |
| 1026 | 695177 | Rod-Push | 1095 | 695440 | Gasket Set-Valve | 1211 | 498144 | Pulley/Spring Assembly (Spring) |
| 1029 | 690972 | Arm-Rocker | 1100 | 690973 | Pivot-Rocker Arm | 1330 | 272147 | Repair Manual |
| 1036 | 790466 | Label-Emissions (Used After Code Date 04063000) ----- Note ----- 698237 Label- Emissions (Used After Code Date 02063000 and Before Code Date 04070100). 695703 Label- Emissions (Used Before Code Date 02070100) | 1119 | 691183 | Screw (Alternator) | | | |
| | | | 1127A | 695407 | Screw (Float Bowl) | | | |
| 1046 | 691337 | Plug-Blower Housing Used on Type No(s). 0125, 0131. | | | | | | |
| 1051 | 691265 | Ring-Retaining | | | | | | |
| 1052 | 698869 | Sensor-Oil (Used After Code Date 03010500 and Before Code Date 03082900). Used on Type No(s). 0124, 0125, 0127, 0129. ----- Note ----- 698869 Sensor-Oil (Used After Code Date 03010500 and Before Code Date 03072400). Used on Type No(s). 0117, 0121, 0122, 0123. 699117 Sensor-Oil (Used Before Code Date 03010600) | | | | | | |
| 1052A | 790274 | Sensor-Oil (Used After Code Date 03082800) Used on Type No(s). 0124, 0125, 0127, 0129. ----- Note ----- 790274 Sensor-Oil (Used After Code Date 03072300) Used on Type No(s). 0117, 0121, 0122, 0123, 0132. | | | | | | |

★ Included in Engine Gasket Set-Ref. No.358.

● Included in Carburetor Overhaul Kit-Ref. No. 121.

◆ Included in Carburetor Gasket Set-Ref. No. 977.

△ Included in Valve Gasket Set-Ref. No 1095.

Illustrations cover a range of engines. Parts shown without corresponding text may not be used on your specific engine.