

# Illustrated Parts List

## Model Series

# 20C400

TYPE NUMBERS  
0111 Through 0206.

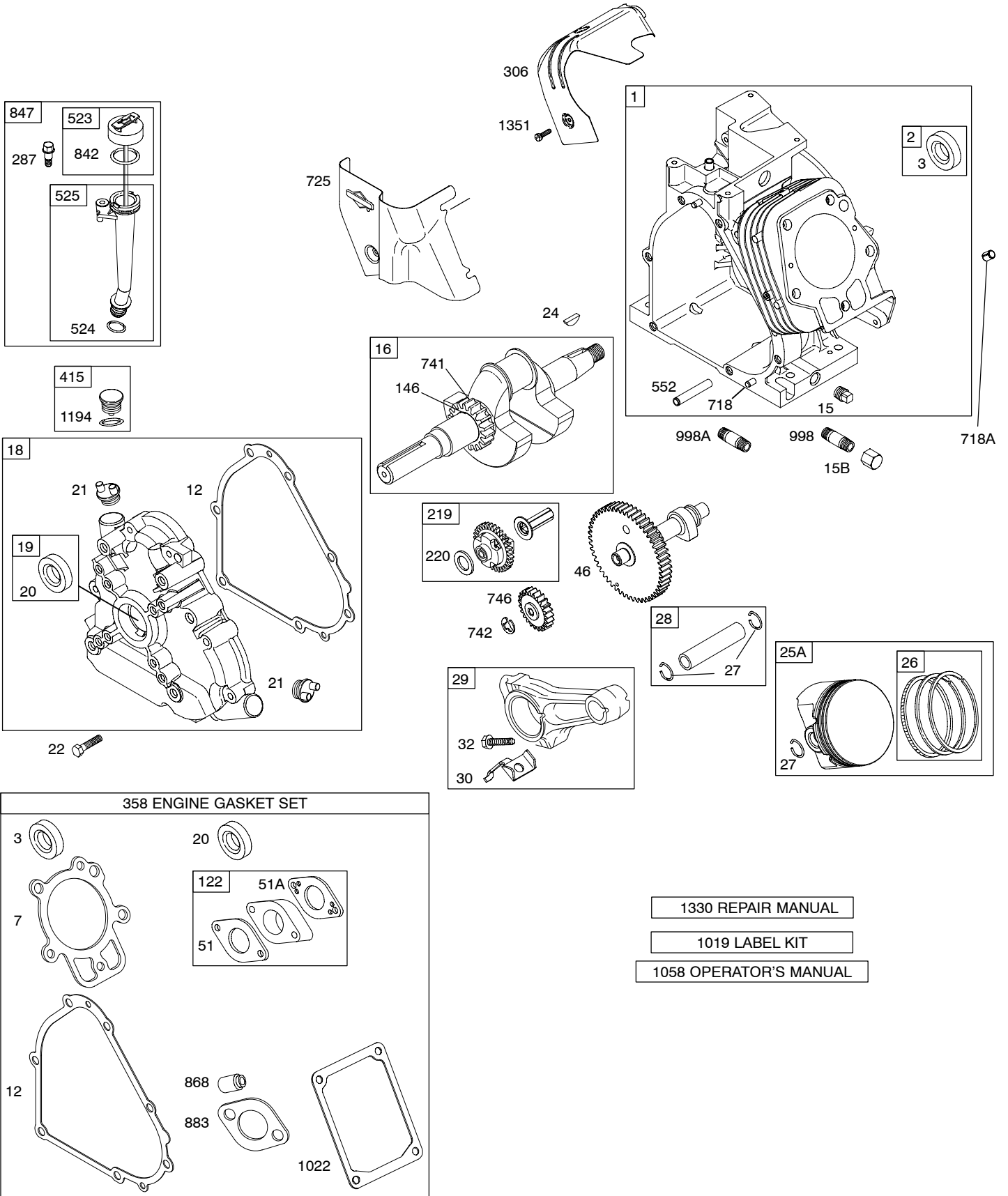
### TABLE OF CONTENTS

Air Cleaner .....	5
Alternator .....	8
Blower Housing/Shrouds .....	6
Camshaft .....	2
Carburetor .....	4
Controls .....	7
Crankcase Cover .....	2
Crankshaft .....	2
Cylinder .....	2
Cylinder Head .....	3
Electric Starter .....	8
Exhaust System .....	5
Flywheel .....	6
Fuel Supply .....	8
Governor Spring .....	7
Ignition .....	9
Kit/Gasket Sets - Carburetor .....	4
Kit/Gasket Sets - Engine .....	2
Kit/Gasket Sets - Valves .....	3
Lubrication .....	2
Piston, Rings, Connecting Rod .....	2
Rewind Starter .....	6
Valves .....	3

PRINTED IN U.S.A.



COPYRIGHT by BRIGGS & STRATTON CORPORATION  
All rights reserved. No part of this material may be reproduced or transmitted,  
in any form or by any means, electronic or mechanical, including photocopying,  
recording or by any information storage and retrieval system, without permission  
in writing from Briggs & Stratton Corporation.

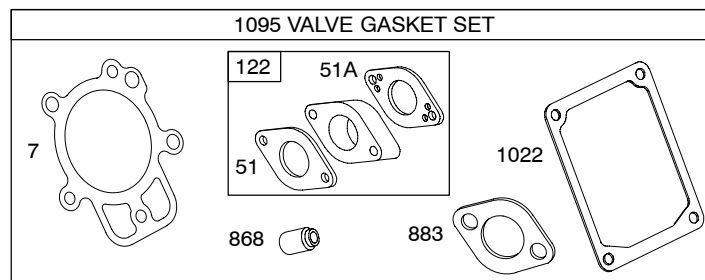
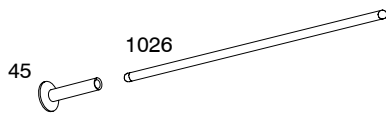
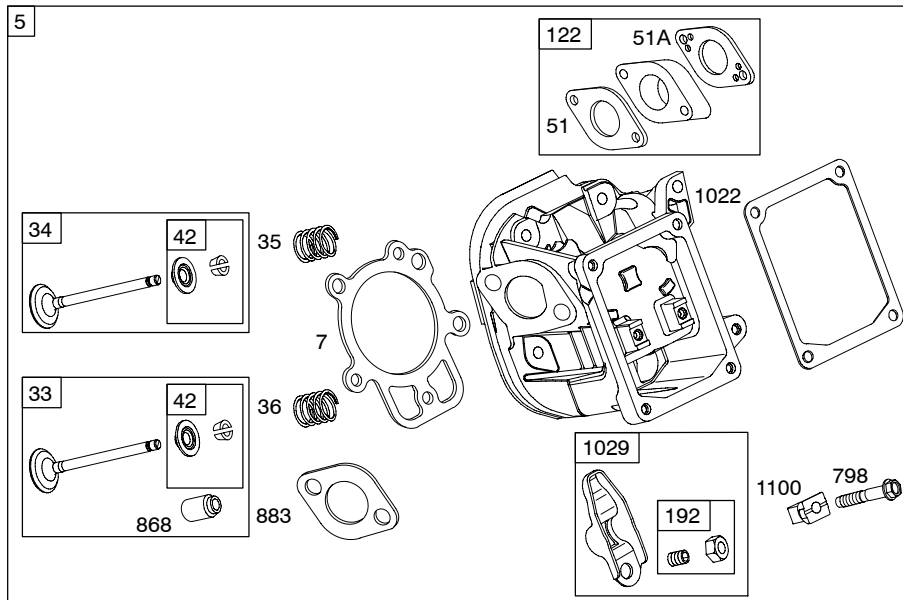
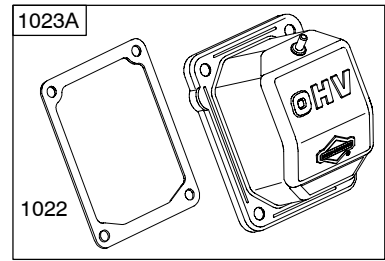
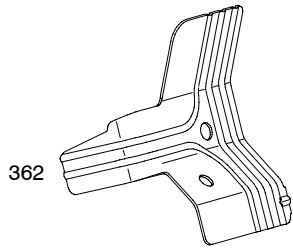


1330 REPAIR MANUAL

1019 LABEL KIT

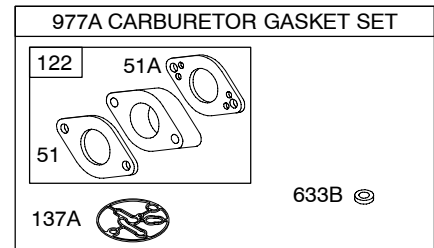
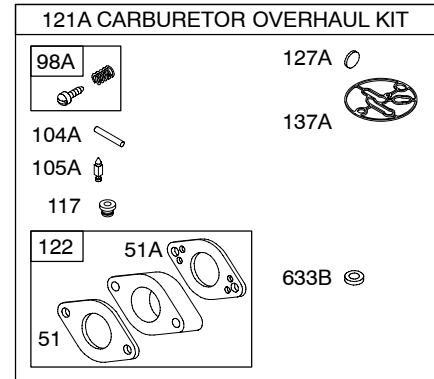
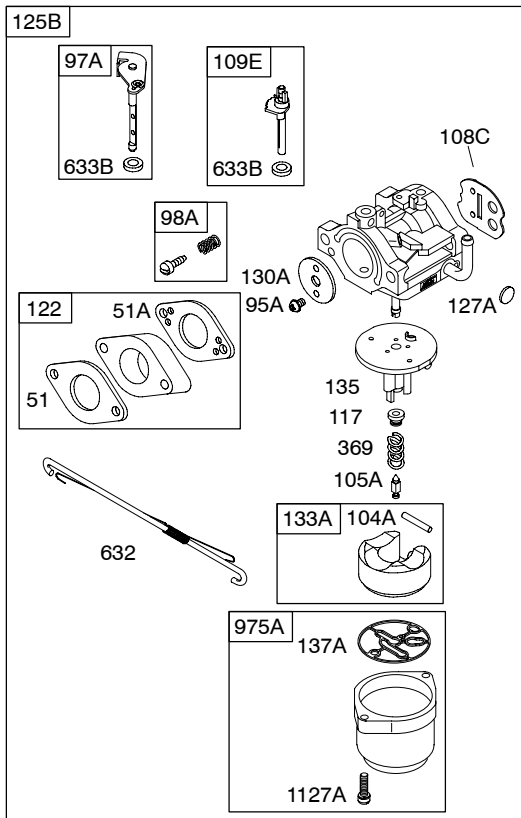
1058 OPERATOR'S MANUAL

**Illustrations cover a range of engines. Parts shown without corresponding text are not used on this engine.**

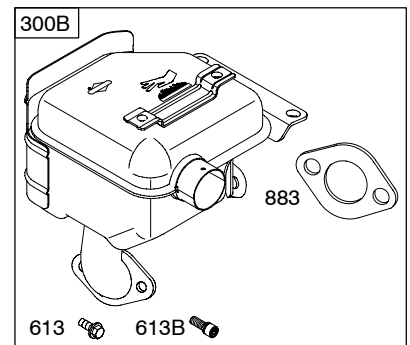
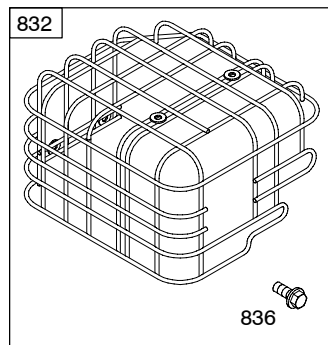
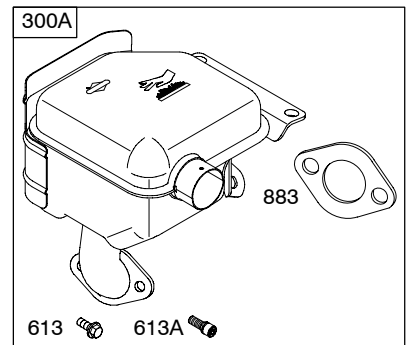
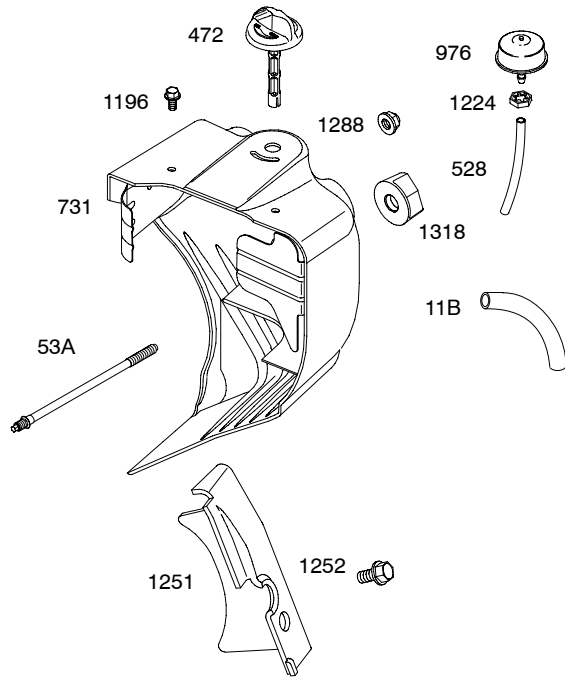


Illustrations cover a range of engines. Parts shown without corresponding text are not used on this engine.

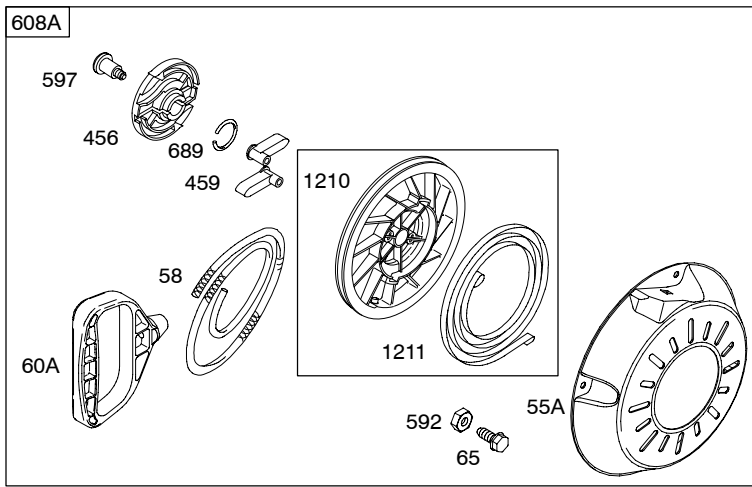
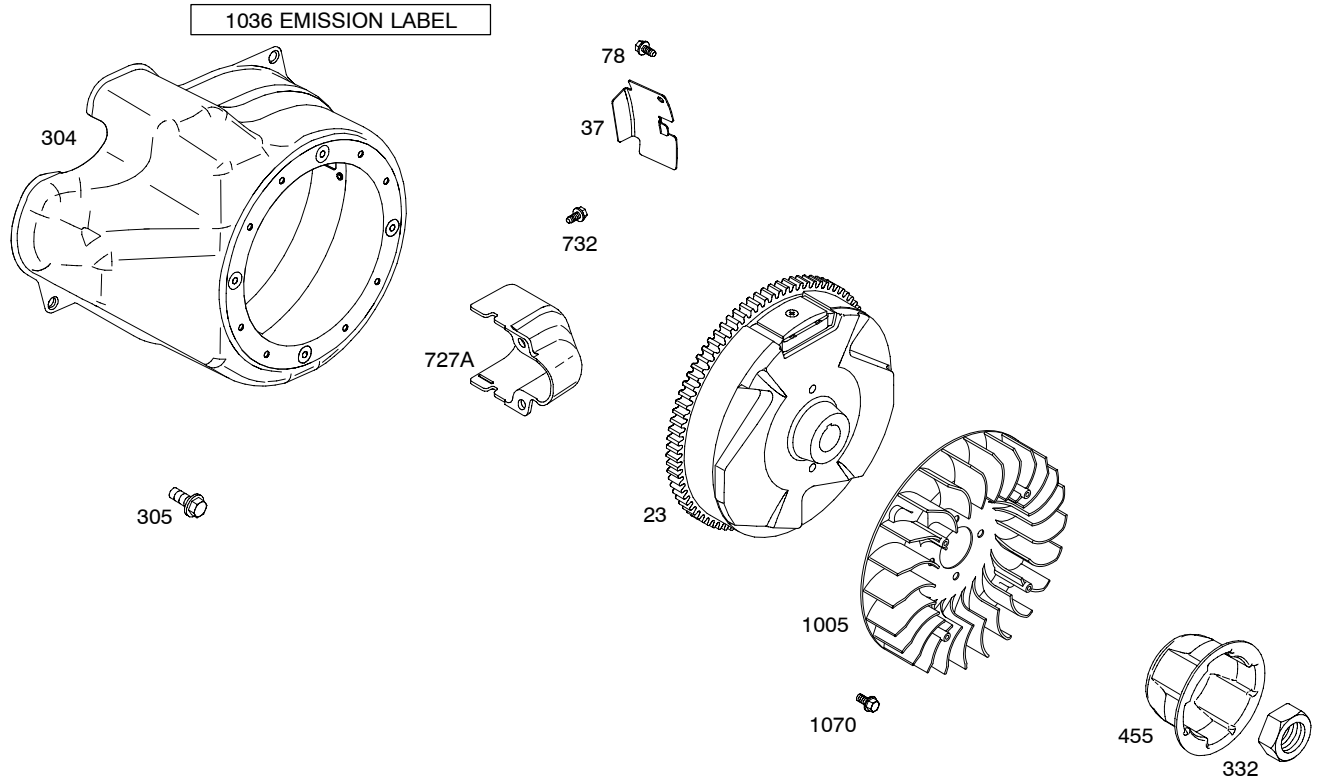
# 20C400



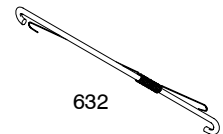
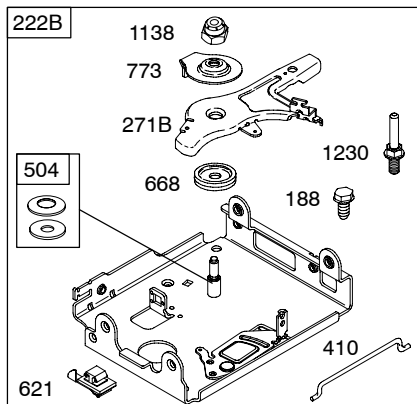
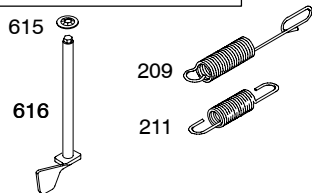
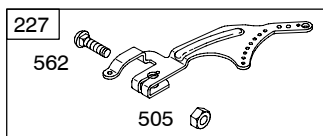
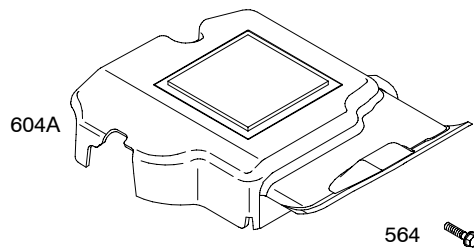
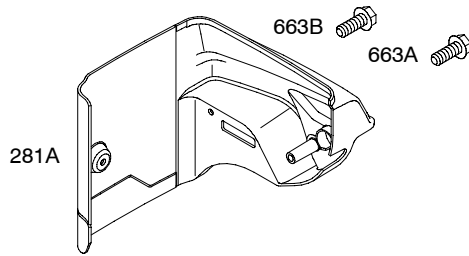
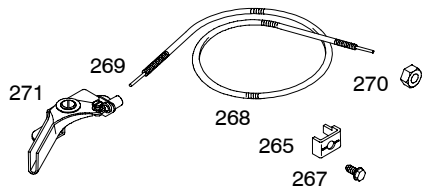
**Illustrations cover a range of engines. Parts shown without corresponding text are not used on this engine.**



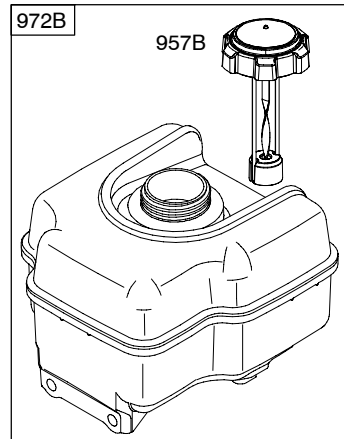
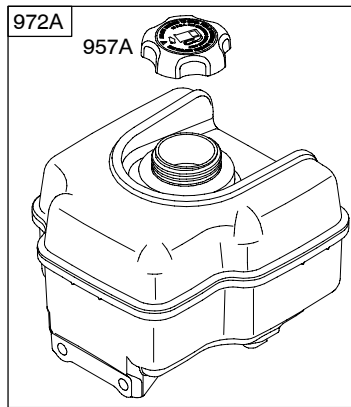
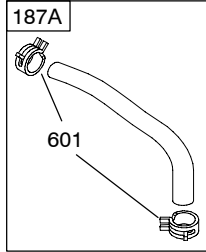
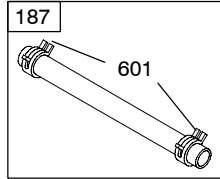
**Illustrations cover a range of engines. Parts shown without corresponding text are not used on this engine.**



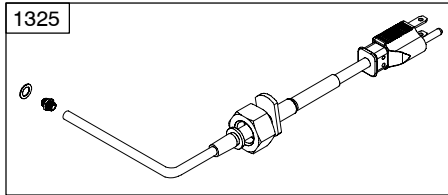
**Illustrations cover a range of engines. Parts shown without corresponding text are not used on this engine.**  
**5060-6** Assemblies include all parts shown in frames. **06/01/2004**



**Illustrations cover a range of engines. Parts shown without corresponding text are not used on this engine.**



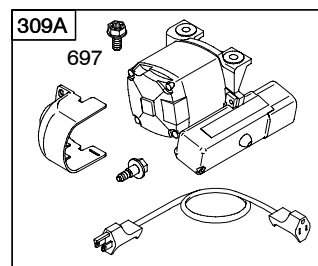
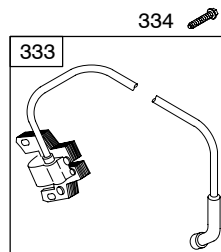
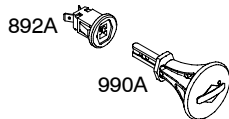
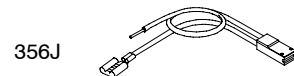




AC ONLY	DC ONLY	DUAL CIRCUIT
474	474A	474B
	877A	877

**NOTE:** All stators use a No. 1119 mounting screw.

**NOTE:** The proper flywheel part number and/or the alternator magnet size will determine the alternator type or output. See repair instruction manual for additional information.



**Illustrations cover a range of engines. Parts shown without corresponding text are not used on this engine.**

# 20C400

REF. NO.	PART NO.	DESCRIPTION	REF. NO.	PART NO.	DESCRIPTION	REF. NO.	PART NO.	DESCRIPTION
1	695464	Cylinder Assembly	23	695485	Flywheel	51	★△◆694874	Gasket-Intake
2	495657	Kit-Bushing/Seal (Magneto Side)	24	222698	Key-Flywheel	51A	★△◆694875	Gasket-Intake
		----- <b>Note</b> -----	25A	695457	Piston Assembly (Standard)	53A	696753	Stud (Carburetor)
		698340 Kit-Bushing/ Seal (Magneto Side)			----- <b>Note</b> -----	55A	696710	Housing-Rewind Starter
3	★391086	Seal-Oil (Magneto Side)			695458 Piston Assembly (.010" Oversize)	58	693389	Rope-Starter (Cut to Required- Length)
5	697233	Head-Cylinder (Used After Code Date 01102800).			695459 Piston Assembly (.020" Oversize)	60A	695740	Grip-Starter Rope
		----- <b>Note</b> -----			695460 Piston Assembly (.030" Oversize)	65	695453	Screw (Rewind Starter)
		698040 Head-Cylinder (Used Before Code Date 01102900).	26	694004	Ring Set (Standard)	78	695724	Screw (Flywheel Guard)
7	★△694872	Gasket-Cylinder Head			----- <b>Note</b> -----	95A	690718	Screw (Throttle Valve)
11B	696750	Tube-Breather			694006 Ring Set (.010" Oversize)	97A	696387	Shaft-Throttle
12	★694953	Gasket-Crankcase			694008 Ring Set (.020" Oversize)	98A	◆695408	Kit-Idle Speed
13	690360	Screw (Cylinder Head)			694010 Ring Set (.030" Oversize)	104A	◆694918	Pin-Float Hinge
15	691686	Plug-Oil Drain				105A	◆696136	Valve-Float Needle
15B	695757	Plug-Oil Drain				108C	696736	Valve-Choke
16	695462	Crankshaft	27	690975	Lock-Piston Pin	109E	696735	Shaft-Choke
		----- <b>Note</b> -----	28	690229	Pin-Piston	117	◆696134	Jet-Main (Standard)
		696412 Crankshaft Used on Type No(s). 0148, 0206.	29	694691	Rod-Connecting	118	696135	Jet-Main (High Altitude)
18	696914	Cover-Crankcase	30	694692	Dipper-Connecting Rod	121A	696146	Kit-Carburetor Overhaul (Nikki Carburetor)
19	495657	Kit-Bushing/Seal (PTO Side)	32	690976	Screw (Connecting Rod)	122	★△◆694876	Spacer-Carburetor
		----- <b>Note</b> -----	33	499596	Valve-Exhaust	125B	696737	Carburetor
		698340 Kit-Bushing/ Seal (PTO Side)	34	697464	Valve-Intake	127A	◆690727	Plug-Welch
20	★391086	Seal-Oil (PTO Side)	35	694865	Spring-Valve (Intake)	130A	696139	Valve-Throttle
21	281658	Cap-Oil Fill	36	694865	Spring-Valve (Exhaust)	133A	694914	Float-Carburetor
22	695174	Screw (Crankcase-Cover/ Sump)	37	696701	Guard-Flywheel	135	696142	Tube-Fuel Transfer
			40	499586	Retainer-Valve	137A	◆695426	Gasket-Float Bowl
			42	499586	Keeper-Valve	146	690979	Key-Timing
			45	690977	Tappet-Valve			
			46	790496	Camshaft			

★ Included in Engine Gasket Set-Ref. No.358.

● Included in Carburetor Overhaul Kit-Ref. No. 121 & 121A.

◆ Included in Carburetor Gasket Set-Ref. No. 977 & 977A.

△ Included in Valve Gasket Set-Ref. No 1095.

**Illustrations cover a range of engines. Parts shown without corresponding text are not used on this engine.**

5060-10

Assemblies include all parts shown in frames.

06/01/2004

REF. NO.	PART NO.	DESCRIPTION	REF. NO.	PART NO.	DESCRIPTION	REF. NO.	PART NO.	DESCRIPTION
187	691050	Line-Fuel (Cut to Required Length)	281A	697400	Panel-Control ----- <b>Note</b> ----- 698081 Panel-Control Used on Type No(s). 0148, 0160, 0206.	332	694685	Nut (Flywheel)
187A	695429	Line-Fuel ----- <b>Note</b> ----- 698080 Line-Fuel Used on Type No(s). 0148, 0206.	287	691693	Screw (Dipstick/Tube)	333	715231	Armature-Magneto
188	690877	Screw (Control Bracket)	300A	699211	Muffler	334	691061	Screw (Magneto Armature)
190	692127	Screw (Fuel Tank)	300B	699222	Muffler (Used After Code Date 03041300). Used on Type No(s). 0160, 0206.	337	491055	Plug-Spark
192	690083	Adjuster-Rocker Arm				356G	696748	Wire-Stop
209	694867	Spring-Governor				356J	696700	Wire-Stop
211	695307	Spring-Governor Idle				358	695438	Gasket Set-Engine
219	693578	Gear-Governor				362	698041	Shield-Spark Plug
220	691724	Washer (Governor Gear)				369	695422	Spring-Float Bowl
222B	698034	Bracket-Control ----- <b>Note</b> ----- 698161 Bracket-Control Used on Type No(s). 0111.	304	697469	Housing-Blower (Used After Code Date 01102800). ----- <b>Note</b> ----- 696476 Housing-Blower (Used Before Code Date 01102900).	383	19374	Wrench-Spark Plug
227	694864	Lever-Governor Control				410	695382	Link-Control
265	691024	Clamp-Casing	305	691108	Screw (Blower Housing)	415	691363	Plug
267	692577	Screw (Casing Clamp)	306	697240	Shield-Cylinder (Used After Code Date 01102800). ----- <b>Note</b> ----- 694677 Shield Cylinder (Used Before Code Date 01102900).	455	697226	Cup-Flywheel
268	691025	Casing-Control Wire (Cut to Required Length)				456	692299	Plate-Pawl Friction
269	691026	Wire-Control (Cut to Required Length)				459	281505	Pawl-Ratchet
270	691027	Nut (Control Wire Casing)	309A	696611	Motor-Starter ----- <b>Note</b> ----- 698608 Motor-Starter Used on Type No(s). 0160. 698112 Motor-Starter Used on Type No(s). 0148, 0206.	472	696752	Knob-Choke Shaft
271	691028	Lever-Control				474	694457	Alternator Used on Type No(s). 0206.
271B	696697	Lever-Control Used on Type No(s). 0111, 0148. ----- <b>Note</b> ----- 698035 Lever-Control Used on Type No(s). 0160.				474A	695730	Alternator
						474B	696742	Alternator (Dual Circuit)
						485	695755	Knob-Control
						504	695383	Washer Set-Friction ----- <b>Note</b> ----- 694254 Washer Set Friction Used on Type No(s). 0148.
						505	691251	Nut (Governor Control Lever)
						523	695344	Dipstick
						524	691876	Seal-O Ring (Dipstick Tube)
						525	695343	Tube-Dipstick
						528	696751	Hose-Primer
						552	694674	Bushing-Governor Crank
						562	691119	Bolt (Governor Control Lever)

★ Included in Engine Gasket Set-Ref. No.358.

● Included in Carburetor Overhaul Kit-Ref. No. 121 &amp; 121A.

◆ Included in Carburetor Gasket Set-Ref. No. 977 &amp; 977A.

△ Included in Valve Gasket Set-Ref. No 1095.

**Illustrations cover a range of engines. Parts shown without corresponding text are not used on this engine.**

# 20C400

REF. NO.	PART NO.	DESCRIPTION	REF. NO.	PART NO.	DESCRIPTION	REF. NO.	PART NO.	DESCRIPTION		
564	696692	Screw (Rocker Cover)	718	690959	Pin-Locating (Cylinder)	883	★△695398	Gasket-Exhaust		
592	690800	Nut (Rewind Starter)	718A	695178	Pin-Locating (Head)	892A	★△696749	Switch-Key		
597	691696	Screw (Pawl Friction Plate)	725	696756	Shield-Heat	914	693732	Screw (Rocker Cover)		
601	95162	Clamp-Hose	727A	697465	Cover-Starter Drive	930	696709	Guard-Rewind		
604A	696758	Cover-Control	731	790222	Hood-Snow (Used After Code Date 04061500).	957A	695737	Cap-Fuel (Plastic)		
608A	699335	Starter-Rewind			----- <b>Note</b> -----	957B	698109	Cap-Fuel (Plastic) Used on Type No(s). 0160, 0206.		
613	695312	Screw (Muffler)			697399 Hood-Snow (Used After Code Date 01102800 and Before Code Date 04061600).	958	698180	Valve-Fuel Shut Off (Plastic)		
		----- <b>Note</b> -----			696755 Hood-Snow (Used Before Code Date 01102900).	972A	695728	Tank-Fuel (Plastic)		
		691003 Screw (Muffler)			732	691097	Screw (Starter Drive Cover)	972B	698110	Tank-Fuel (Plastic) Used on Type No(s). 0160, 0206.
613B	696705	Screw (Muffler) (Torx Head)	741	691288	Gear-Timing	975A	696138	Bowl-Float		
615	694676	Retainer-Governor Shaft	742	692564	Retainer-E Ring	976	790221	Primer-Carburetor (Used After Code Date 04061500).		
616	694675	Crank-Governor	746	694679	Gear-Idler			----- <b>Note</b> -----		
621	692310	Switch-Stop	773	694258	Retainer			695750 Primer- Carburetor (Used Before Code Date 04061600).		
632A	695917	Link-Throttle (Used With Nikki Carburetor)	798	697890	Screw (Rocker Arm)	977A	◆696147	Gasket Set-Carburetor (Used With Nikki Carburetor)		
633B	◆690998	Seal-Choke/Throttle Shaft	832	698135	Guard-Muffler Used on Type No(s). 0160.			990A	695756	Key Set
635	710901	Boot-Spark Plug (Alternator)			----- <b>Note</b> -----			998	695758	Pipe-Oil
663A	696685	Screw (Control Panel) (1/2" Long)			699223 Guard-Muffler Used on Type No(s). 0206.			998A	696683	Pipe-Oil Used on Type No(s). 0148, 0160, 0206.
663B	696704	Screw (Control Panel) (1-3/4" Long)	836	691003	Screw (Muffler Guard)			1005	694684	Fan-Flywheel
668	694257	Spacer (Control Bracket)	842	691031	Seal-O Ring (Dipstick Tube)			1019	696745	Kit-Label ----- <b>Note</b> -----
689	691855	Spring-Friction	847	695342	Dipstick/Tube Assembly					695751 Kit-Label Used on Type No(s). 0111.
697	698113	Screw (Drive Cap)	868	★△690968	Seal-Valve					
			877	393814	Wire/Connector- Alternator					
			877A	393456	Wire/Connector- Alternator Used on Type No(s). 0111.					

★ Included in Engine Gasket Set-Ref. No.358.

● Included in Carburetor Overhaul Kit-Ref. No. 121 & 121A.

◆ Included in Carburetor Gasket Set-Ref. No. 977 & 977A.

△ Included in Valve Gasket Set-Ref. No 1095.

**Illustrations cover a range of engines. Parts shown without corresponding text are not used on this engine.**

5060-12

Assemblies include all parts shown in frames.

06/01/2004

REF. NO.	PART NO.	DESCRIPTION	REF. NO.	PART NO.	DESCRIPTION	REF. NO.	PART NO.	DESCRIPTION
1022	★△690971	Gasket-Rocker Cover	1138	694255	Nut (Control Bracket)	1251	696762	Shield-Snow Used on Type No(s). 0148, 0160, 0206.
1023A	698042	Cover-Rocker Arm	1171	696754	Stud (Rocker Cover)	1252	696763	Screw (Snow Shield)
1026	695177	Rod-Push	1194	691876	Seal-O Ring (Plug)	1275	693732	Nut (Rocker Cover)
1029	690972	Arm-Rocker	1196	699166	Screw (Snow Hood)	1288	696757	Nut (Snow Hood)
1036	698179	Label-Emission (Used After Code Date 02063000). ----- <b>Note</b> ----- 695703 Label- Emission (Used Before Code Date 02070100).	1210	498144	Pulley/Spring Assembly (Pulley)	1318	698111	Knob-Snow Hood
1058	275697	Owner's Manual	1211	498144	Pulley/Spring Assembly (Spring)	1325	699358	Heater-Block Used on Type No(s). 0206.
1070	691058	Screw (Flywheel Fan)	1224	696824	Nut (Carburetor Primer)	1330	272147	Repair Manual
1095	695440	Gasket Set-Valve	1230	696747	Stud (Control Bracket)	1351	790017	Screw (Cylinder Shield)
1100	690973	Pivot-Rocker Arm				1352	790026	Nut (Spark Plug Shield)
1119	691183	Screw (Alternator)						
1127A	695407	Screw (Float Bowl)						

★ Included in Engine Gasket Set-Ref. No.358.

● Included in Carburetor Overhaul Kit-Ref. No. 121 &amp; 121A.

◆ Included in Carburetor Gasket Set-Ref. No. 977 &amp; 977A.

△ Included in Valve Gasket Set-Ref. No 1095.

**Illustrations cover a range of engines. Parts shown without corresponding text are not used on this engine.**