

# 20D400

## Illustrated Parts List

### Model Series

# 20D400

TYPE NUMBERS  
0017 through 0112.

### TABLE OF CONTENTS

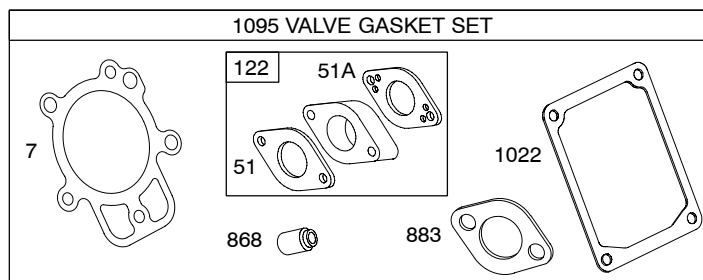
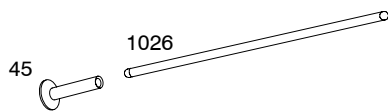
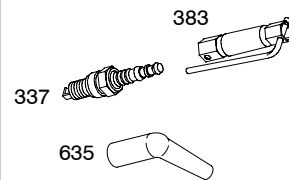
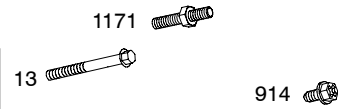
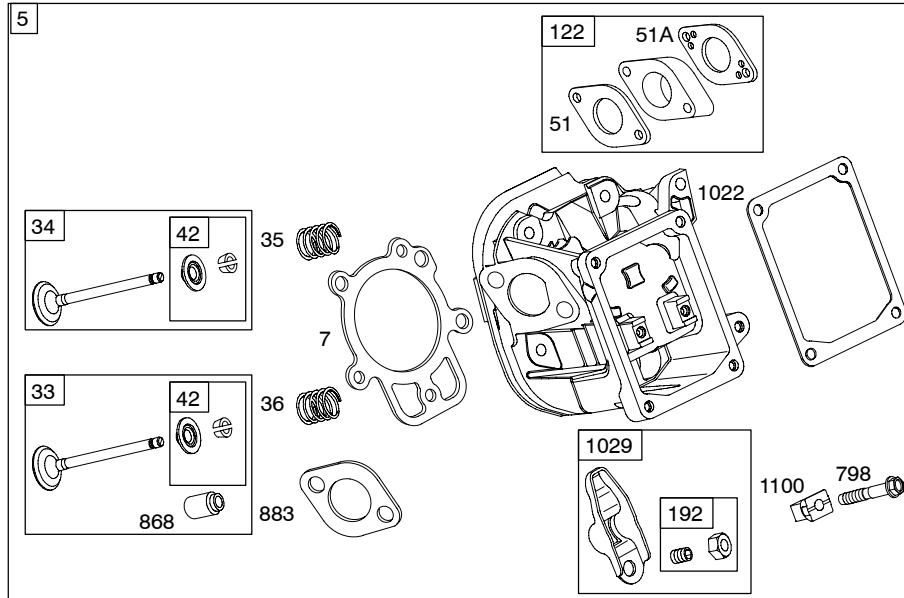
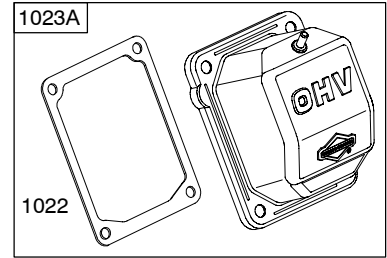
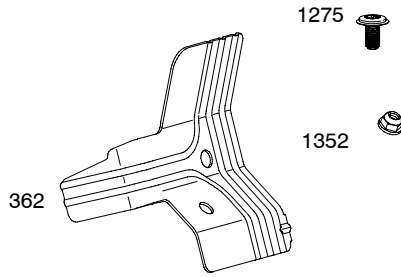
Air Cleaner .....	5
Alternator .....	8
Blower Housing/Shrouds .....	6
Camshaft .....	2
Carburetor .....	4
Controls .....	7
Crankcase Cover .....	2
Crankshaft .....	2
Cylinder .....	2
Cylinder Head .....	3
Electric Starter .....	8
Exhaust System .....	5
Flywheel .....	6
Fuel Supply .....	8
Governor Spring .....	7
Ignition .....	8
Kit/Gasket Sets - Carburetor .....	4
Kit/Gasket Sets - Engine .....	2
Kit/Gasket Sets - Valves .....	3
Lubrication .....	2
Piston,Rings, Connecting Rod .....	2
Rewind Starter .....	6
Valves .....	3



PRINTED IN U.S.A.

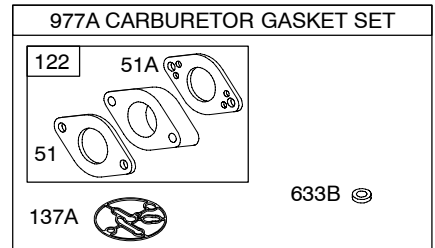
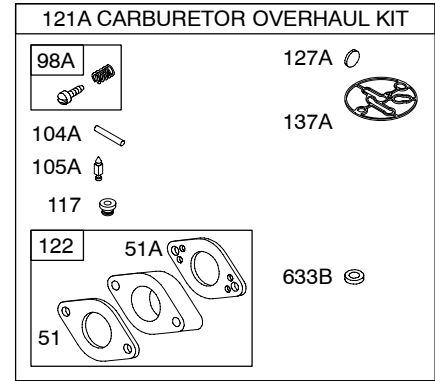
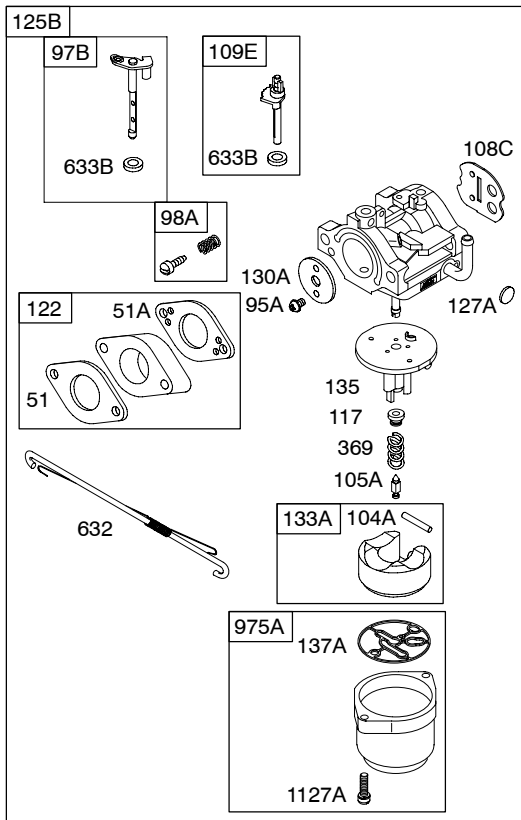
COPYRIGHT by BRIGGS & STRATTON CORPORATION  
All rights reserved. No part of this material may be reproduced or transmitted,  
in any form or by any means, electronic or mechanical, including photocopying,  
recording or by any information storage and retrieval system, without permission  
in writing from Briggs & Stratton Corporation.



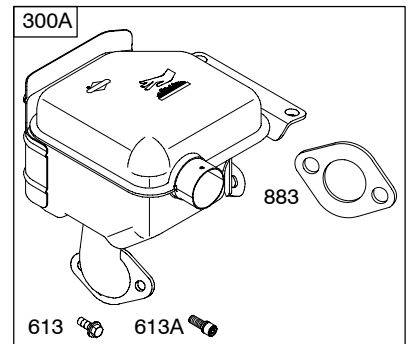
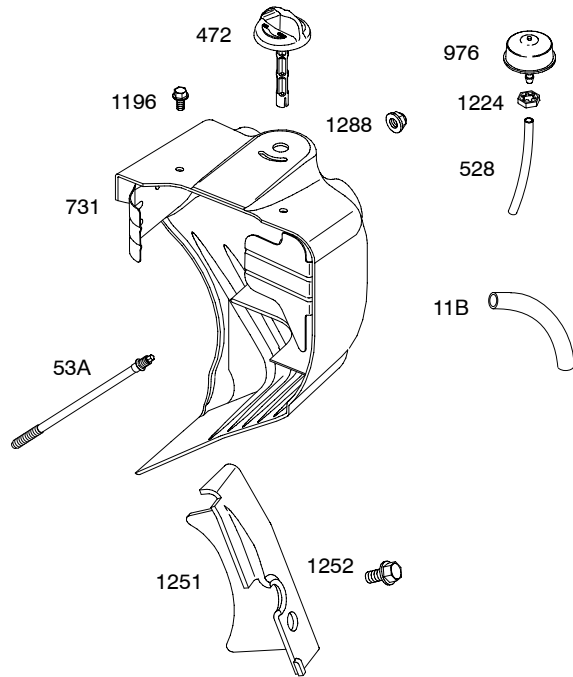


**Illustrations cover a range of engines. Parts shown without corresponding text are not used on this engine.**

# 20D400

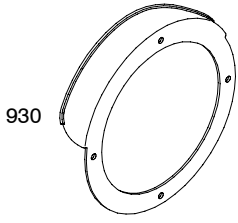
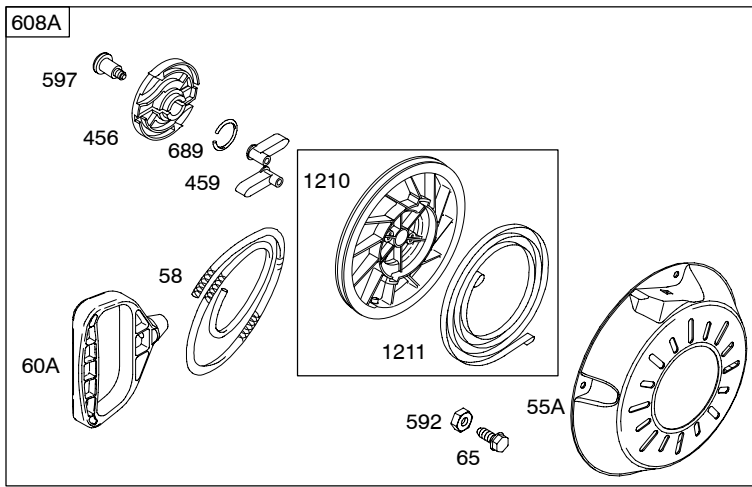
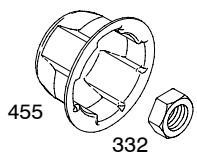
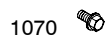
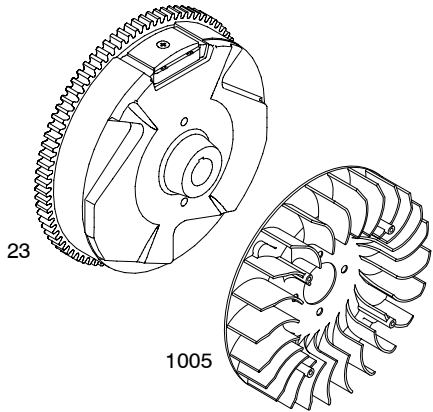
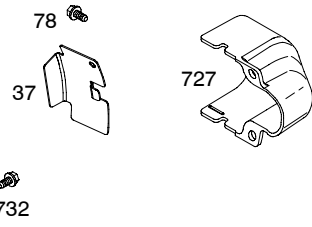
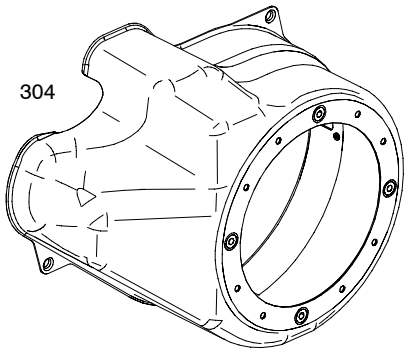


**Illustrations cover a range of engines. Parts shown without corresponding text are not used on this engine.**

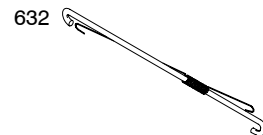
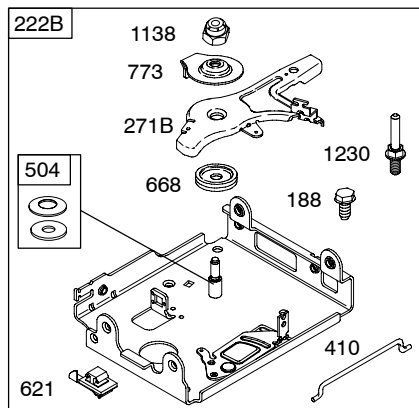
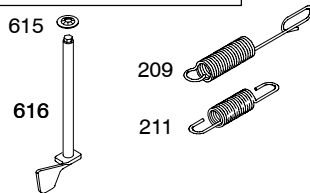
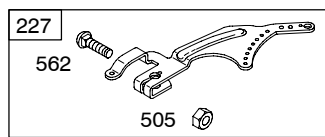
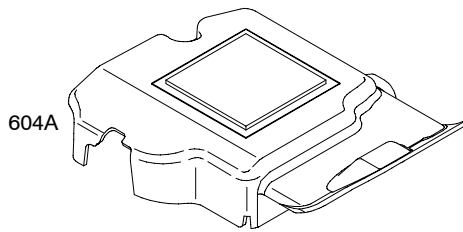
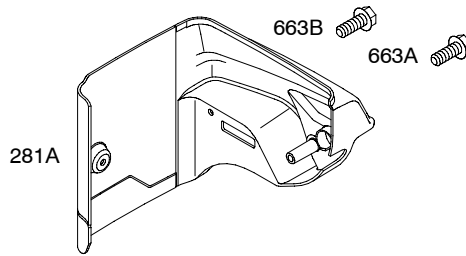
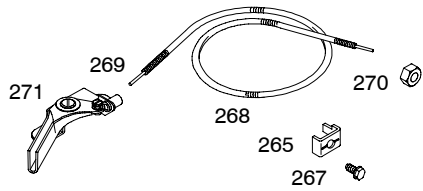


**Illustrations cover a range of engines. Parts shown without corresponding text are not used on this engine.**

1036 EMISSION LABEL

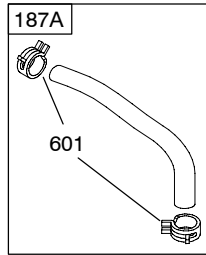
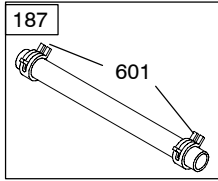
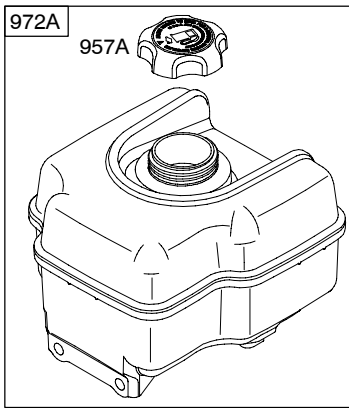


**Illustrations cover a range of engines. Parts shown without corresponding text are not used on this engine.**  
6764-6 Assemblies include all parts shown in frames. 06/17/04




**Illustrations cover a range of engines. Parts shown without corresponding text are not used on this engine.**

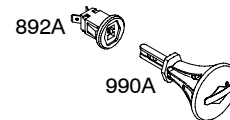
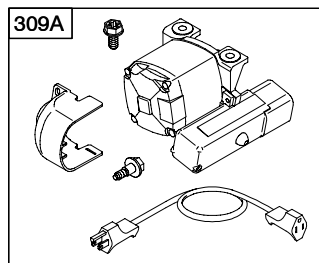
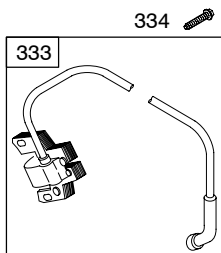
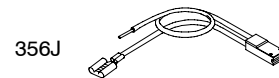
# 20D400



DC ONLY	DUAL CIRCUIT
<p>474A</p> <p>877A</p>	<p>474B</p> <p>877</p>

**NOTE:** All stators use a No. 1119 mounting screw. 

**NOTE:** The proper flywheel part number and/or the alternator magnet size will determine the alternator type or output. See repair instruction manual for additional information.



**Illustrations cover a range of engines. Parts shown without corresponding text are not used on this engine.**



REF. NO.	PART NO.	DESCRIPTION	REF. NO.	PART NO.	DESCRIPTION	REF. NO.	PART NO.	DESCRIPTION
1	696772	Cylinder Assembly	25	694003	Piston Assembly (Standard)	55A	696710	Housing-Rewind Starter
2	495657	Kit-Bushing/Seal (Magneto Side)			----- <b>Note</b> -----	58	693389	Rope-Starter (Cut to Required Length)
		----- <b>Note</b> -----			694005 Piston Assembly (.010" Oversize)	60A	695740	Grip-Starter Rope
		698340 Kit-Bushing/Seal (Magneto Side)			694007 Piston Assembly (.020" Oversize)	65	695453	Screw (Rewind Starter)
3	★391086	Seal-Oil (Magneto Side)			694009 Piston Assembly (.030" Oversize)	78	695724	Screw (Flywheel Guard) Used on Type No(s). 0100.
5	697233	Head-Cylinder (Used After Code Date 01102800).	26	694004	Ring Set (Standard)	95A	690718	Screw (Throttle Valve)
		----- <b>Note</b> -----			----- <b>Note</b> -----	97B	696387	Shaft-Throttle
		698040 Head-Cylinder (Used Before Code Date 01102900).			694006 Ring Set (.010" Oversize)	98A	●695408	Kit-Idle Speed
7	★Δ694872	Gasket-Cylinder Head			694008 Ring Set (.020" Oversize)	104A	●694918	Pin-Float Hinge
11B	696750	Tube-Breather			694010 Ring Set (.030" Oversize)	105A	●696136	Valve-Float Needle
12	★694953	Gasket-Crankcase	27	690975	Lock-Piston Pin	108C	696736	Valve-Choke
13	690360	Screw (Cylinder Head)	28	690229	Pin-Piston	109E	696735	Shaft-Choke
15	691686	Plug-Oil Drain	29	694691	Rod-Connecting	117	●696134	Jet-Main (Standard)
15B	695757	Plug-Oil Drain	30	694692	Dipper-Connecting Rod	118	696135	Jet-Main (High Altitude)
16	695369	Crankshaft	32	690976	Screw (Connecting Rod)	121A	696146	Kit-Carburetor Overhaul (Nikki Carburetor)
		----- <b>Note</b> -----	33	499596	Valve-Exhaust	122★Δ◆694876		Spacer-Carburetor
		695462 Crankshaft Used on Type No(s). 0017, 0111.	34	697464	Valve-Intake	125B	696737	Carburetor
18	696914	Cover-Crankcase	35	694865	Spring-Valve (Intake)	127A	●690727	Plug-Welch
19	495657	Kit-Bushing/Seal (PTO Side)	36	694865	Spring-Valve (Exhaust)	130A	696139	Valve-Throttle
		----- <b>Note</b> -----	37	699047	Guard-Flywheel Used on Type No(s). 0100.	133A	694914	Float-Carburetor
		698340 Kit-Bushing/Seal (PTO Side)	42	499586	Keeper-Valve	135	696142	Tube-Fuel Transfer
20	★391086	Seal-Oil (PTO Side)	45	690977	Tappet-Valve	137A	◆695426	Gasket-Float Bowl
21	281658	Cap-Oil Fill	46	790496	Camshaft	146	690979	Key-Timing
22	695174	Screw (Crankcase Cover/Sump)	51★Δ◆694874		Gasket-Intake	187	691050	Line-Fuel (Cut to Required Length)
23	695485	Flywheel	51A★Δ◆694875		Gasket-Intake	187A	695429	Line-Fuel
24	222698	Key-Flywheel	53A	696753	Stud (Carburetor)	188	690877	Screw (Control Bracket)
						190	692127	Screw (Fuel Tank)

★ Included in Engine Gasket Set-Ref. No.358.

● Included in Carburetor Overhaul Kit-Ref. No. 121 &amp; 121A.

◆ Included in Carburetor Gasket Set-Ref. No. 977 &amp; 977A.

Δ Included in Valve Gasket Set-Ref. No 1095.

**Illustrations cover a range of engines. Parts shown without corresponding text are not used on this engine.**

# 20D400

REF. NO.	PART NO.	DESCRIPTION	REF. NO.	PART NO.	DESCRIPTION	REF. NO.	PART NO.	DESCRIPTION
192	690083	Adjuster-Rocker Arm	306	697240	Shield-Cylinder (Used After Code Date 01102800).	505	691251	Nut (Governor Control Lever)
209	694867	Spring-Governor				523	695344	Dipstick
211	695307	Spring-Governor Idle				524	691876	Seal-O Ring (Dipstick Tube)
219	693578	Gear-Governor				525	695343	Tube-Dipstick
220	691724	Washer (Governor Gear)				528	696751	Hose-Primer
222B	698034	Bracket-Control				552	694674	Bushing-Governor Crank
227	694864	Lever-Governor Control	307	691660	Screw (Cylinder Shield)	562	691119	Bolt (Governor Control Lever)
265	691024	Clamp-Casing	309A	696611	Motor-Starter	592	690800	Nut (Rewind Starter)
267	692577	Screw (Casing Clamp)	332	694685	Nut (Flywheel)	597	691696	Screw (Pawl Friction Plate)
268	691025	Casing-Control Wire (Cut to Required Length)	333	715231	Armature-Magneto	601	95162	Clamp-Hose
269	691026	Wire-Control (Cut to Required Length)	334	691061	Screw (Magneto Armature)	604A	696758	Cover-Control
270	691027	Nut (Control Wire Casing)	337	491055	Plug-Spark	608A	699335	Starter-Rewind
271	696697	Lever-Control	356G	696748	Wire-Stop	613	695312	Screw (Muffler)
271B	698035	Lever-Control	356J	696700	Wire-Stop	613B	696705	Screw (Muffler)
281A	697400	Panel-Control (Used After Code Date 01102800).	358	695438	Gasket Set-Engine	615	694676	Retainer-Governor Shaft
		----- <b>Note</b> -----	362	698041	Shield-Spark Plug	616	694675	Crank-Governor
		<b>696703</b> Panel-Control (Used Before Code Date 01102900).	369	695422	Spring-Float Bowl	621	692310	Switch-Stop
287	691693	Screw (Dipstick/Tube))	383	19374	Wrench-Spark Plug	632	695917	Link-Throttle (Used With Nikki Carburetor)
300A	699211	Muffler	410	695382	Link-Control	633B ♦	690998	Seal-Choke/Throttle Shaft
304	697469	Housing-Blower (Used After Code Date 01102800).	415	691363	Plug	635	710901	Boot-Spark Plug (Alternator)
		----- <b>Note</b> -----	455	697226	Cup-Flywheel	663A	696685	Screw (Control Panel)
		<b>696476</b> Housing- Blower (Used Before Code Date 01102900).	456	692299	Plate-Pawl Friction	663B	696704	Screw (Control Panel)
305	691108	Screw (Blower Housing)	459	281505	Pawl-Ratchet	668	694257	Spacer (Control Bracket)
			472	696752	Knob-Choke Shaft	689	691855	Spring-Friction
			474A	695730	Alternator (3 Amps DC) (Used Before Code Date 01051400). Used on Type No(s). 0017.	697	698113	Screw (Drive Cap)
			474B	696742	Alternator (Dual Circuit) (Used After Code Date 01051300). Used on Type No(s). 0017.			
			485	695755	Knob-Control			
			504	695383	Washer Set-Friction			

★ Included in Engine Gasket Set-Ref. No.358.

● Included in Carburetor Overhaul Kit-Ref. No. 121 & 121A.

◆ Included in Carburetor Gasket Set-Ref. No. 977 & 977A.

△ Included in Valve Gasket Set-Ref. No 1095.

**Illustrations cover a range of engines. Parts shown without corresponding text are not used on this engine.**

6764-10

Assemblies include all parts shown in frames.

06/17/04

REF. NO.	PART NO.	DESCRIPTION	REF. NO.	PART NO.	DESCRIPTION	REF. NO.	PART NO.	DESCRIPTION
718	690959	Pin-Locating (Cylinder)	976	790221	Primer-Carburetor (Used After Code Date 04061500).	1127A	695407	Screw (Float Bowl)
718A	695178	Pin-Locating (Head)			----- <b>Note</b> -----	1138	694255	Nut (Control Bracket)
725	696756	Shield-Heat			<b>695750</b> Primer- Carburetor	1171	696754	Stud (Rocker Cover)
727	697465	Cover-Starter Drive			(Used Before Code Date 04061600).	1194	691876	Seal-O Ring (Plug)
731	790222	Hood-Snow (Used After Code Date 04061500).	977A	◆696147	Gasket Set-Carburetor (Used With Nikki Carburetor)	1196	699166	Screw (Snow Hood) (Used After Code Date 03041300).
		----- <b>Note</b> -----	990A	695756	Key Set			----- <b>Note</b> -----
		<b>697399</b> Hood-Snow (Used After Code Date 01102800 and Before Code Date 04061600).	998	695758	Plug-Oil Used on Type No(s). 0111.			<b>696685</b> Screw (Snow Hood) (Used Before Code Date 03041400).
		<b>696755</b> Hood-Snow (Used Before Code Date 01102900).	998A	696683	Pipe-Oil Used on Type No(s). 0112.	1210	498144	Pulley/Spring Assembly (Pulley)
732	691097	Screw (Starter Drive Cover)	1005	694684	Fan-Flywheel	1211	498144	Pulley/Spring Assembly (Spring)
741	691288	Gear-Timing	1019	695751	Kit-Label	1224	696824	Nut (Carburetor Primer)
742	692564	Retainer-E Ring	1022	★△690971	Gasket-Rocker Cover	1230	696747	Stud (Control Bracket)
746	694679	Gear-Idler	1023A	698042	Cover-Rocker Arm	1251	696762	Shield-Snow
773	694258	Retainer	1026	695177	Rod-Push	1252	696763	Screw (Snow Shield)
798	697890	Screw (Rocker Arm)	1029	690972	Arm-Rocker	1275	693732	Screw (Rocker Cover)
842	691031	Seal-O Ring (Dipstick Tube)	1036	698179	Label-Emissions (Used After Code Date 02063000).	1288	696757	Nut (Snow Hood)
847	695342	Dipstick/Tube Assembly			----- <b>Note</b> -----	1330	272147	Repair Manual
868	★△690968	Seal-Valve			<b>697430</b> Label- Emissions (Used Before Code Date 02070100 and After Code Date 01102200).	1351	790017	Stud (Cylinder Shield)
877	393456	Wire/Connector- Alternator			<b>695703</b> Label- Emissions (Used Before Code Date 01102200).	1352	790026	Nut (Spark Plug Shield)
883	★△695398	Gasket-Exhaust	1058	275697	Operator's Manual			
892A	★△696749	Switch-Key	1070	691058	Screw (Flywheel Fan)			
914	693732	Screw (Rocker Cover)	1095	695440	Gasket Set-Valve			
930	696709	Guard-Rewind	1100	690973	Pivot-Rocker Arm			
957A	695737	Cap-Fuel Tank (Plastic)	1119	691183	Screw (Alternator)			
958	698180	Valve-Fuel Shut Off (Plastic)						
972A	695728	Tank-Fuel (Plastic)						
975A	696138	Bowl-Float						

★ Included in Engine Gasket Set-Ref. No.358.

● Included in Carburetor Overhaul Kit-Ref. No. 121 &amp; 121A.

◆ Included in Carburetor Gasket Set-Ref. No. 977 &amp; 977A.

△ Included in Valve Gasket Set-Ref. No 1095.

**Illustrations cover a range of engines. Parts shown without corresponding text are not used on this engine.**