

# 20E400

## Illustrated Parts List

### Model Series

# 20E400

TYPE NUMBERS  
0100 through 0204.

### TABLE OF CONTENTS

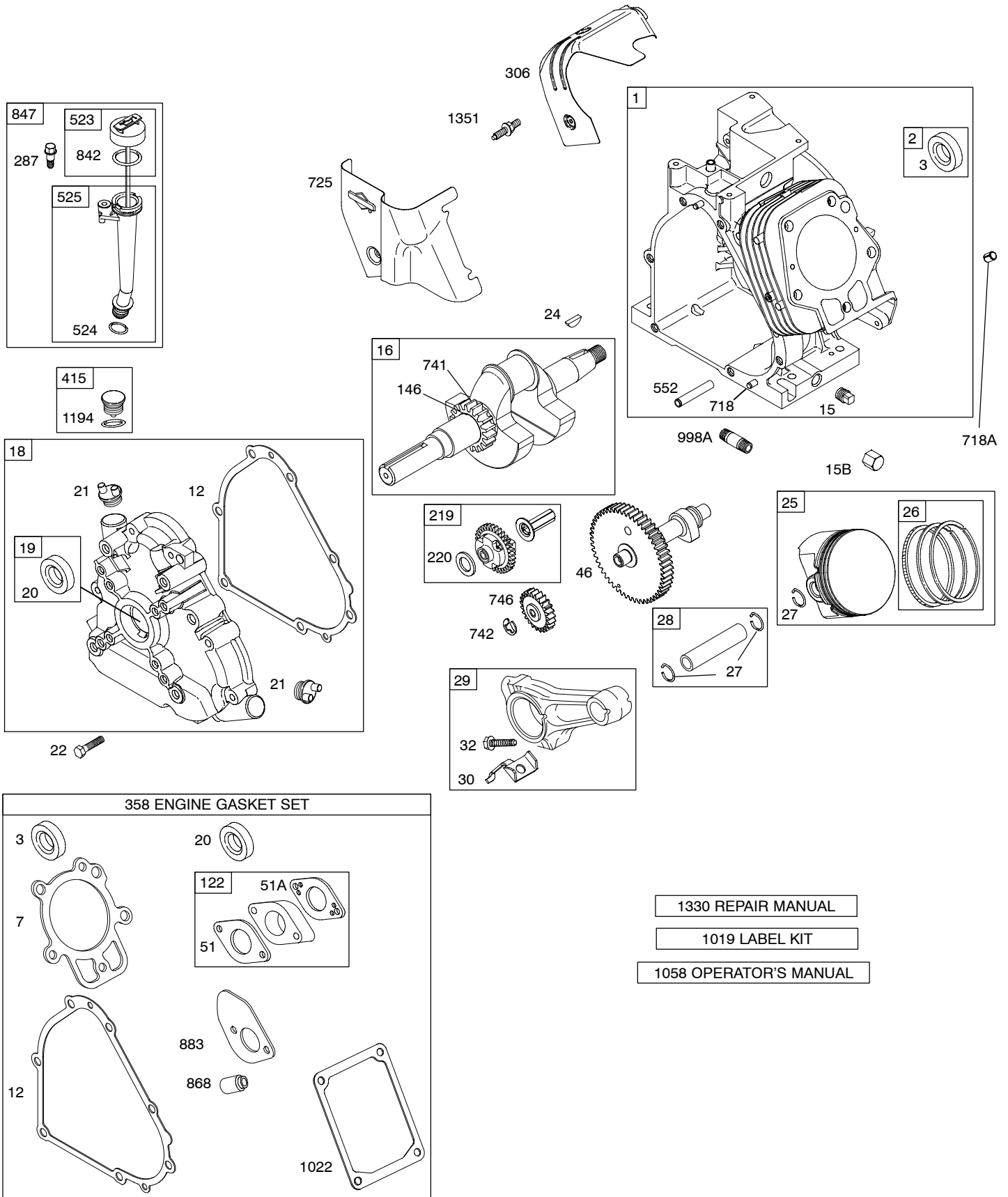
Air Cleaner .....	6
Alternator .....	8
Blower Housing/Shrouds .....	6
Camshaft .....	2
Carburetor .....	4
Controls .....	7
Crankcase Cover .....	2
Crankshaft .....	2
Cylinder .....	2
Cylinder Head .....	3
Electric Starter .....	8
Exhaust System .....	5
Flywheel .....	6
Fuel Supply .....	8
Governor Spring .....	7
Ignition .....	8
Kit/Gasket Sets - Carburetor .....	4
Kit/Gasket Sets - Engine .....	2
Kit/Gasket Sets - Valves .....	3
Lubrication .....	2
Piston, Rings, Connecting Rod .....	2
Rewind Starter .....	6
Valves .....	3



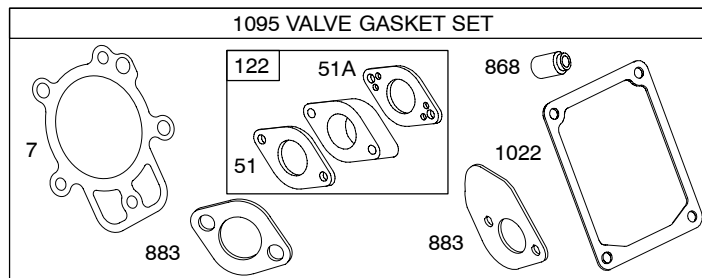
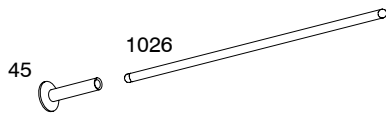
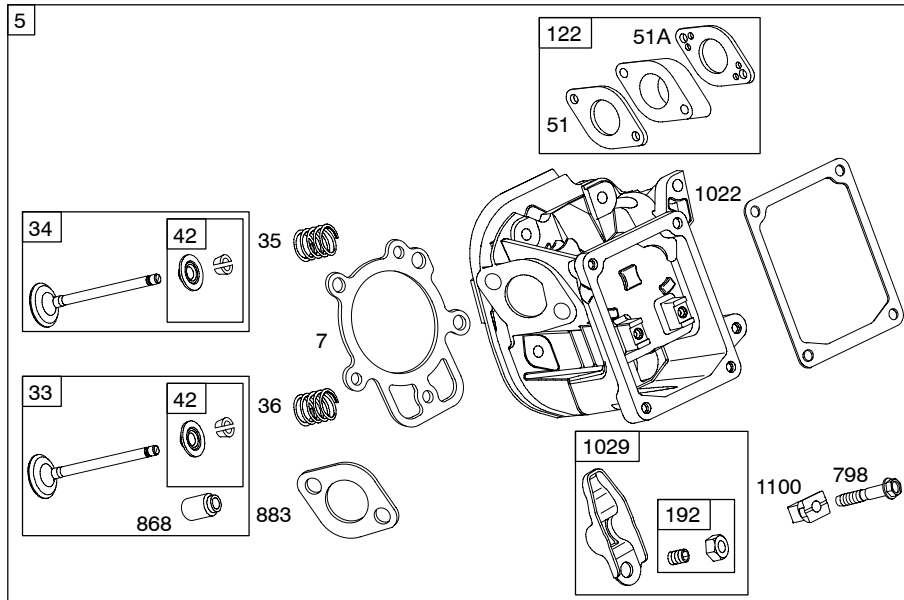
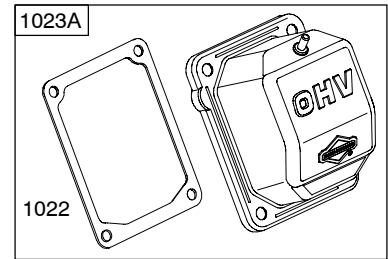
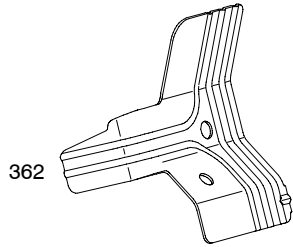
PRINTED IN U.S.A.

COPYRIGHT by BRIGGS & STRATTON CORPORATION  
All rights reserved. No part of this material may be reproduced or transmitted, in any form or by any means, electronic or mechanical, including photocopying, recording or by any information storage and retrieval system, without permission in writing from Briggs & Stratton Corporation.

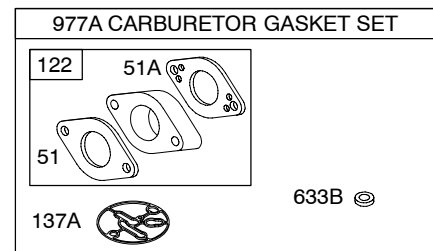
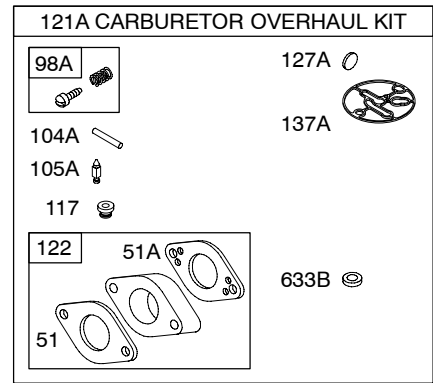
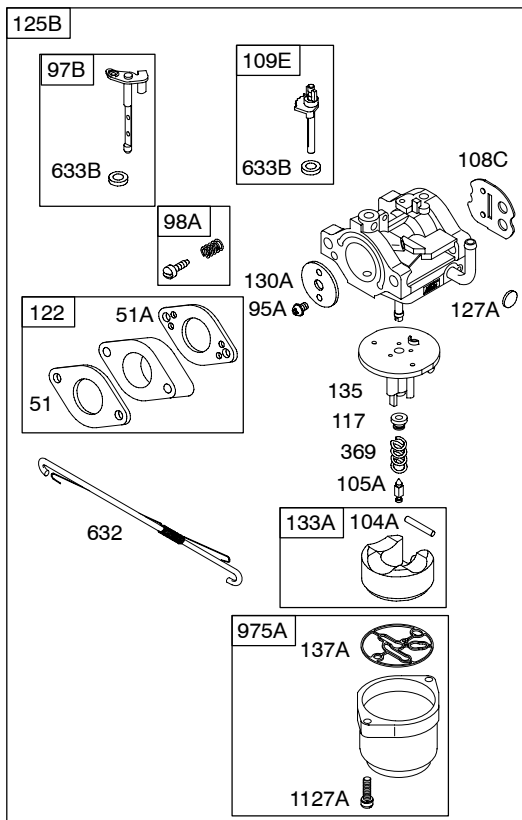
# 20E400



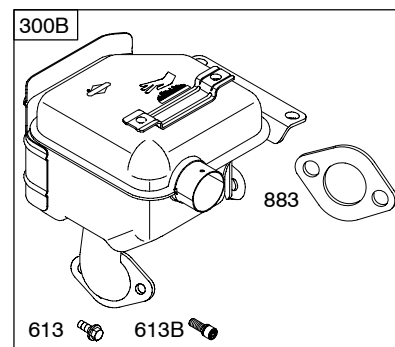
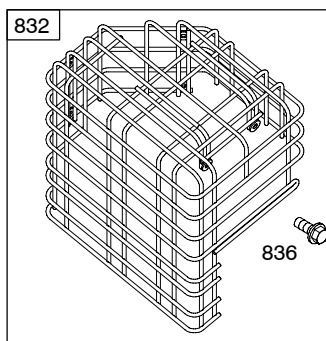
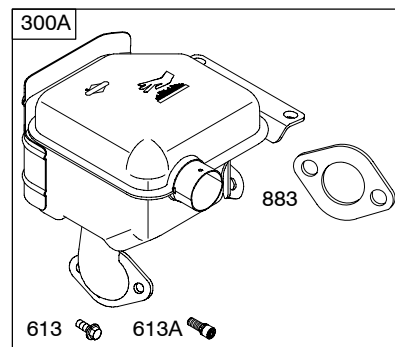
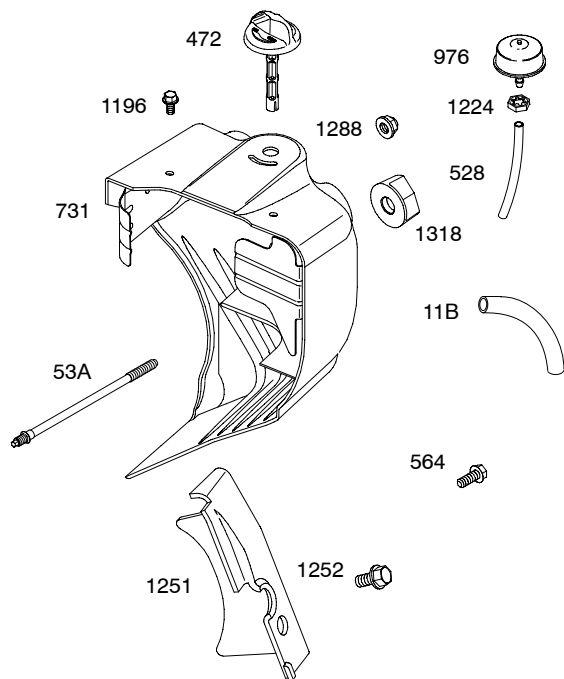
**Illustrations cover a range of engines. Parts shown without corresponding text are not used on this engine.**  
**5273-2** Assemblies include all parts shown in frames. **06/18/2004**



**Illustrations cover a range of engines. Parts shown without corresponding text are not used on this engine.**

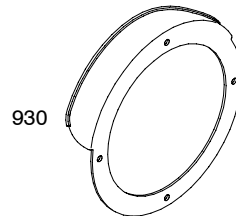
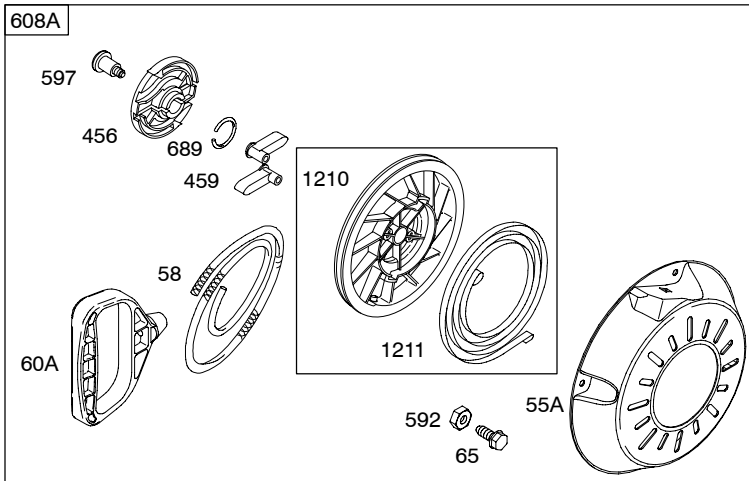
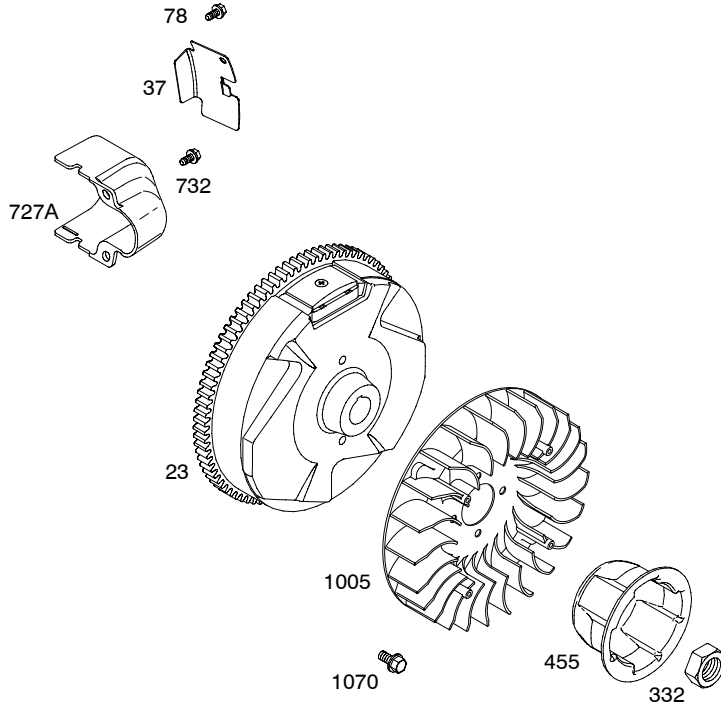
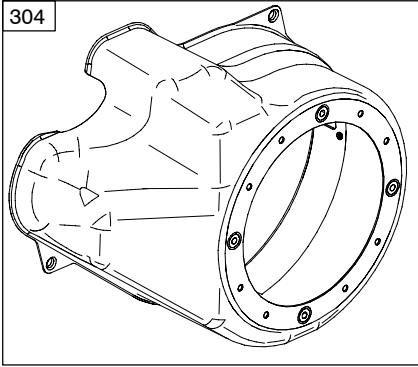


**Illustrations cover a range of engines. Parts shown without corresponding text are not used on this engine.**

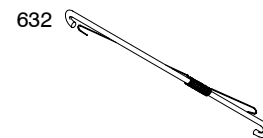
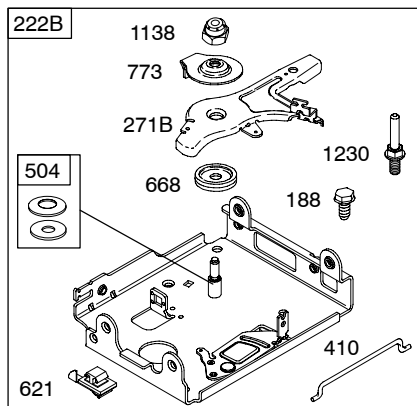
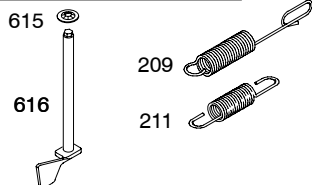
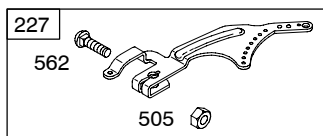
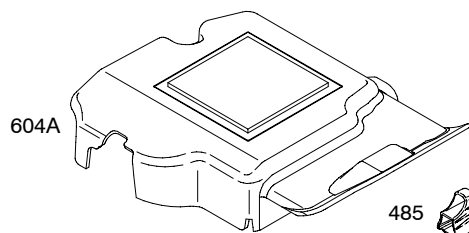
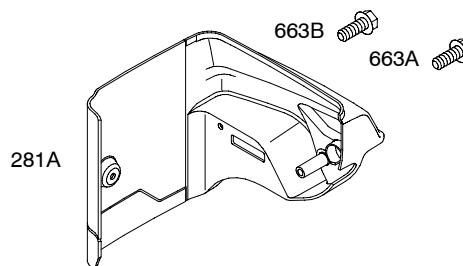
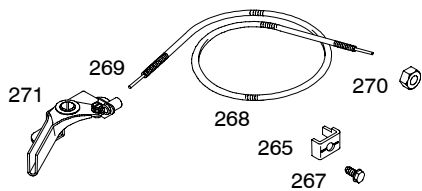


**Illustrations cover a range of engines. Parts shown without corresponding text are not used on this engine.**

1036 EMISSION LABEL

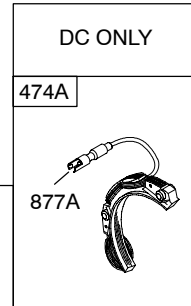
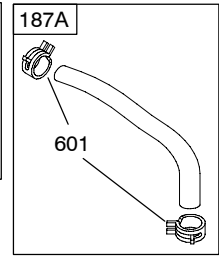
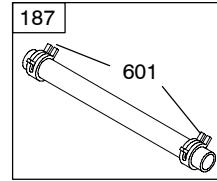
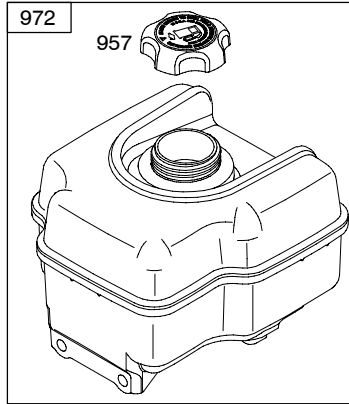
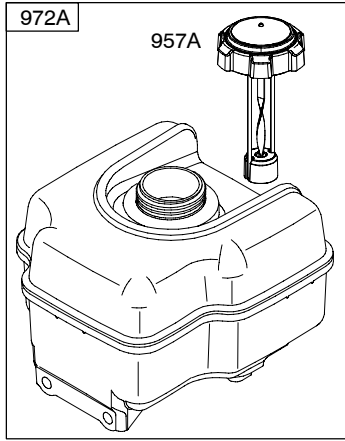



**Illustrations cover a range of engines. Parts shown without corresponding text are not used on this engine.**



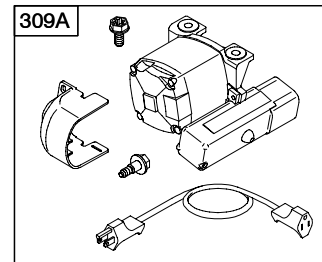
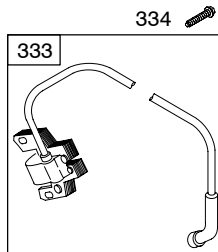
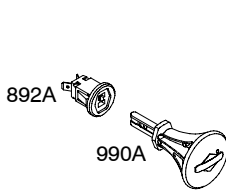
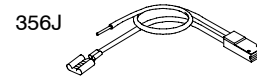
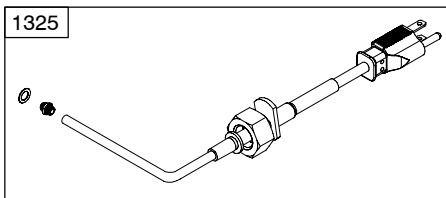
**Illustrations cover a range of engines. Parts shown without corresponding text are not used on this engine.**  
 5273-7 Assemblies include all parts shown in frames. 06/18/2004

# 20E400



**NOTE:** All stators use a No. 1119 mounting screw. 

**NOTE:** The proper flywheel part number and/or the alternator magnet size will determine the alternator type or output. See repair instruction manual for additional information.



**Illustrations cover a range of engines. Parts shown without corresponding text are not used on this engine.**



REF. NO.	PART NO.	DESCRIPTION	REF. NO.	PART NO.	DESCRIPTION	REF. NO.	PART NO.	DESCRIPTION	
1	695464	Cylinder Assembly	24	222698	Key-Flywheel	53A	696753	Stud (Carburetor)	
2	495657	Kit-Bushing/Seal (Magneto Side)	25	695457	Piston Assembly (Standard)	55A	696710	Housing-Rewind Starter	
		----- <b>Note</b> -----			----- <b>Note</b> -----	58	693389	Rope-Starter	
		698340 Kit-Bushing/ Seal (Magneto Side)			695458 Piston Assembly (.010" Oversize)	60A	695740	Grip-Starter Rope	
3	★391086	Seal-Oil (Magneto Side)			695459 Piston Assembly (.020" Oversize)	65	695453	Screw (Rewind Starter)	
5	697233	Head-Cylinder (Used After Code Date 01102800).			695460 Piston Assembly (.030" Oversize)	78	695724	Screw (Flywheel Guard) Used on Type No(s). 0100.	
		----- <b>Note</b> -----	26	694004	Ring Set (Standard)	95A	690718	Screw (Throttle Valve)	
		698040 Head-Cylinder (Used Before Code Date 01102900).			----- <b>Note</b> -----	97B	696387	Shaft-Throttle	
7	★△694872	Gasket-Cylinder Head			694006 Ring Set (.010" Oversize)	98A	●695408	Kit-Idle Speed	
11B	696750	Tube-Breather			694008 Ring Set (.020" Oversize)	104A	●694918	Pin-Float Hinge	
12	★694953	Gasket-Crankcase			694010 Ring Set (.030" Oversize)	105A	●696136	Valve-Float Needle	
13	690360	Screw (Cylinder Head)	27	690975	Lock-Piston Pin	108C	696736	Valve-Choke	
15	691686	Plug-Oil Drain	28	690229	Pin-Piston	109E	696735	Shaft-Choke	
15B	695757	Plug-Oil Drain	29	694691	Rod-Connecting	117	●696134	Jet-Main (Standard)	
16	695369	Crankshaft	30	694692	Dipper-Connecting Rod	118	696135	Jet-Main (High Altitude)	
		----- <b>Note</b> -----	32	690976	Screw (Connecting Rod)	121A	696146	Kit-Carburetor Overhaul (Nikki Carburetor)	
		696412 Crankshaft Used on Type No(s). 0162, 0163, 0204.	33	499596	Valve-Exhaust	122★△◆694876		Spacer-Carburetor	
18	696914	Cover-Crankcase	34	697464	Valve-Intake	125B	696737	Carburetor	
19	495657	Kit-Bushing/Seal (PTO Side)	35	694865	Spring-Valve (Intake)	127A	●690727	Plug-Welch	
		----- <b>Note</b> -----	36	694865	Spring-Valve (Exhaust)	130A	696139	Valve-Throttle	
		698340 Kit-Bushing/ Seal (PTO Side)	37	699047	Guard-Flywheel Used on Type No(s). 0100.	133A	694914	Float-Carburetor	
20	★391086	Seal-Oil (PTO Side)			42	499586	Keeper-Valve		
21	281658	Cap-Oil Fill			45	690977	Tappet-Valve		
22	695174	Screw (Crankcase Cover/ Sump)			46	790496	Camshaft		
23	695485	Flywheel			51★△◆694874		Gasket-Intake		
					51A★△◆694875		Gasket-Intake		
							187A	695429	Line-Fuel ----- <b>Note</b> ----- 698080 Line-Fuel Used on Type No(s). 0162, 0163, 0204.

★ Included in Engine Gasket Set-Ref. No.358.

● Included in Carburetor Overhaul Kit-Ref. No. 121 &amp; 121A.

◆ Included in Carburetor Gasket Set-Ref. No. 977 &amp; 977A.

△ Included in Valve Gasket Set-Ref. No 1095.

**Illustrations cover a range of engines. Parts shown without corresponding text are not used on this engine.**

# 20E400

REF. NO.	PART NO.	DESCRIPTION	REF. NO.	PART NO.	DESCRIPTION	REF. NO.	PART NO.	DESCRIPTION
188	690877	Screw (Control Bracket)	300A	699211	Muffler Used on Type No(s). 0100.	309A	698112	Starter-Motor Used on Type No(s). 0204.
190	692127	Screw (Fuel Tank)	300B	699222	Muffler (Used After Code Date 03041300). Used on Type No(s). 0162, 0163, 0204.			----- <b>Note</b> ----- <b>698608</b> Starter-Motor Used on Type No(s). 0162, 0163.
192	690083	Adjuster-Rocker Arm				332	694685	Nut (Flywheel)
209	694867	Spring-Governor				333	715231	Armature-Magneto
211	695307	Spring-Governor Idle				334	691061	Screw (Magneto Armature)
219	693578	Gear-Governor				337	491055	Plug-Spark
220	691724	Washer (Governor Gear)				356G	696748	Wire-Stop
222B	698034	Bracket-Control				356J	696700	Wire-Stop
227	694864	Lever-Governor Control				358	695438	Gasket Set-Engine
265	691024	Clamp-Casing				362	698041	Shield-Spark Plug
267	692577	Screw (Casing Clamp)	304	697469	Housing-Blower (Used After Code Date 01102800). ----- <b>Note</b> ----- <b>696476</b> Housing- Blower (Used Before Code Date 01102900).	369	695422	Spring-Float Bowl
268	691025	Casing-Control Wire (Cut to Required Length)				383	19374	Wrench-Spark Plug
269	691026	Wire-Control (Cut to Required Length)				410	695382	Link-Control
270	691027	Nut (Control Wire Casing)				415	691363	Plug
271	691028	Lever-Control	305	691108	Screw (Blower Housing)	455	697226	Cup-Flywheel
271B	698035	Lever-Control				456	692299	Plate-Pawl Friction
281A	697400	Panel-Control ----- <b>Note</b> ----- <b>698081</b> Panel-Control Used on Type No(s). 0162, 0163, 0204.	306	697240	Shield-Cylinder (Used After Code Date 01102800). ----- <b>Note</b> ----- <b>694677</b> Shield- Cylinder (Used Before Code Date 01102900).	459	281505	Pawl-Ratchet
						472	696752	Knob-Choke Shaft ----- <b>Note</b> ----- <b>698111</b> Knob-Choke Shaft Used on Type No(s). 0162, 0163, 0204.
287	691693	Screw (Dipstick/Tube))				474A	695730	Alternator (3 Amps DC) Used on Type No(s). 0162, 0163. ----- <b>Note</b> ----- <b>698230</b> Alternator (3 Amps DC) Used on Type No(s). 0204.

★ Included in Engine Gasket Set-Ref. No.358.

● Included in Carburetor Overhaul Kit-Ref. No. 121 & 121A.

◆ Included in Carburetor Gasket Set-Ref. No. 977 & 977A.

△ Included in Valve Gasket Set-Ref. No 1095.

**Illustrations cover a range of engines. Parts shown without corresponding text are not used on this engine.**

REF. NO.	PART NO.	DESCRIPTION	REF. NO.	PART NO.	DESCRIPTION	REF. NO.	PART NO.	DESCRIPTION
485	695755	Knob-Control	668	694257	Spacer (Control Bracket)	883	★△695398	Gasket-Exhaust (Used Before Code Date 02012000).
504	695383	Washer Set-Friction	689	691855	Spring-Friction	883A	★△697255	Gasket-Exhaust (Used After Code Date 02011900).
505	691251	Nut (Governor Control Lever)	718	690959	Pin-Locating (Cylinder)	892A	★△696749	Switch-Key
523	695344	Dipstick	718A	695178	Pin-Locating (Head)	914	693732	Screw (Rocker Cover)
524	691876	Seal-O Ring (Dipstick Tube)	725	696756	Shield-Heat	930	696709	Guard-Rewind
525	695343	Tube-Dipstick	727A	697465	Cover-Starter Drive Used on Type No(s). 0162, 0163, 0204.	957	698109	Cap-Fuel Tank Used on Type No(s). 0162, 0163, 0204.
528	696751	Hose-Primer	731	790222	Hood-Snow (Used After Code Date 04061500).	957A	695737	Cap-Fuel Tank (Plastic)
552	694674	Bushing-Governor Crank			----- <b>Note</b> -----	958	698180	Valve-Fuel Shut Off (Plastic)
562	691119	Bolt (Governor Control Lever)			697399 Hood-Snow (Used After Code Date 01102800 and Before Code Date 04061600).	972	695728	Tank-Fuel (Plastic)
564	696692	Screw (Control Cover)			696755 Hood-Snow (Used Before Code Date 01102900).	972A	698110	Tank-Fuel (Plastic) Used on Type No(s). 0162, 0163, 0204.
592	690800	Nut (Rewind Starter)	732	691097	Screw (Starter Drive Cover)	975A	696138	Bowl-Float
597	691696	Screw (Pawl Friction Plate)	741	691288	Gear-Timing	976	790221	Primer-Carburetor (Used After Code Date 04061500).
601	95162	Clamp-Hose	742	692564	Retainer-E Ring			----- <b>Note</b> -----
604A	696758	Cover-Control	746	694679	Gear-Idler			695750 Primer- Carburetor (Used Before Code Date 04061600).
608A	699335	Starter-Rewind	773	694258	Retainer			
613	695312	Screw (Muffler)	798	697890	Screw (Rocker Arm)			
613B	696705	Screw (Muffler)	832	699223	Guard-Muffler Used on Type No(s). 0204.			
615	694676	Retainer-Governor Shaft	836	691003	Screw (Muffler Guard)	977A	696147	Gasket Set-Carburetor (Used With Nikki Carburetor)
616	694675	Crank-Governor	842	691031	Seal-O Ring (Dipstick Tube)	990A	695756	Key Set
621	692310	Switch-Stop	847	695342	Dipstick/Tube Assembly	998A	696683	Pipe-Oil
632A	695917	Link-Throttle (Used With Nikki Carburetor0)			868 ★△690968 Seal-Valve	1005	694684	Fan-Flywheel
633B	◆690998	Seal-Choke/Throttle Shaft			877A 393456 Wire/Connector Alternator Used on Type No(s). 0162, 0163, 0204.	1019	696745	Kit-Label
635	710901	Boot-Spark Plug (Alternator)				1022	★△690971	Gasket-Rocker Cover
663A	696685	Screw (Control Panel)						
663B	696704	Screw (Control Panel)						

★ Included in Engine Gasket Set-Ref. No.358.

● Included in Carburetor Overhaul Kit-Ref. No. 121 &amp; 121A.

◆ Included in Carburetor Gasket Set-Ref. No. 977 &amp; 977A.

△ Included in Valve Gasket Set-Ref. No 1095.

**Illustrations cover a range of engines. Parts shown without corresponding text are not used on this engine.**

# 20E400

REF. NO.	PART NO.	DESCRIPTION	REF. NO.	PART NO.	DESCRIPTION	REF. NO.	PART NO.	DESCRIPTION
<b>1023A</b>	<b>697438</b>	Cover-Rocker Arm ----- <b>Note</b> ----- <b>698042</b> Cover-Rocker Used on Type No(s). 0162, 0163, 0204.	<b>1100</b>	<b>690973</b>	Pivot-Rocker Arm	<b>1211</b>	<b>498144</b>	Pulley/Spring Assembly (Spring)
			<b>1119</b>	<b>691183</b>	Screw (Alternator)	<b>1224</b>	<b>696824</b>	Nut (Carburetor Primer)
			<b>1127A</b>	<b>695407</b>	Screw (Float Bowl)	<b>1230</b>	<b>696747</b>	Stud (Control Bracket)
<b>1026</b>	<b>695177</b>	Rod-Push	<b>1138</b>	<b>694255</b>	Nut (Control Bracket)	<b>1251</b>	<b>696762</b>	Shield-Snow
<b>1029</b>	<b>690972</b>	Arm-Rocker	<b>1171</b>	<b>696754</b>	Stud (Rocker Cover)	<b>1252</b>	<b>696763</b>	Screw (Snow Shield)
<b>1036</b>	<b>698179</b>	Label-Emissions (Used After Code Date 02063000). ----- <b>Note</b> ----- <b>695703</b> Label- Emissions (Used Before Code Date 01102200).	<b>1194</b>	<b>691876</b>	Seal-O Ring (Plug)	<b>1275</b>	<b>696692</b>	Screw (Rocker Cover)
			<b>1196</b>	<b>699166</b>	Screw (Snow Hood) (Used After Code Date 03041300). ----- <b>Note</b> -----	<b>1288</b>	<b>696757</b>	Nut (Snow Hood)
<b>1058</b>	<b>275697</b>	Operator's Manual ----- <b>Note</b> ----- <b>MS5571</b> Owner's Manual (12-Language)(West)			<b>696685</b> Screw (Snow Hood) (Used Before Code Date 03041400).	<b>1318</b>	<b>698111</b>	Knob-Snow Hood
						<b>1325</b>	<b>699358</b>	Block Heater
<b>1070</b>	<b>691058</b>	Screw (Flywheel Fan)	<b>1210</b>	<b>498144</b>	Pulley/Spring Assembly (Pulley)	<b>1330</b>	<b>272147</b>	Repair Manual
<b>1095</b>	<b>695440</b>	Gasket Set-Valve				<b>1351</b>	<b>790017</b>	Stud (Cylinder Shield)
						<b>1352</b>	<b>790026</b>	Nut (Spark Plug Shield)

★ Included in Engine Gasket Set-Ref. No.358.

● Included in Carburetor Overhaul Kit-Ref. No. 121 & 121A.

◆ Included in Carburetor Gasket Set-Ref. No. 977 & 977A.

△ Included in Valve Gasket Set-Ref. No 1095.

**Illustrations cover a range of engines. Parts shown without corresponding text are not used on this engine.**