

20F400

Illustrated Parts List

Model Series

20F400

TYPE NUMBERS
0017 through 0114.

TABLE OF CONTENTS

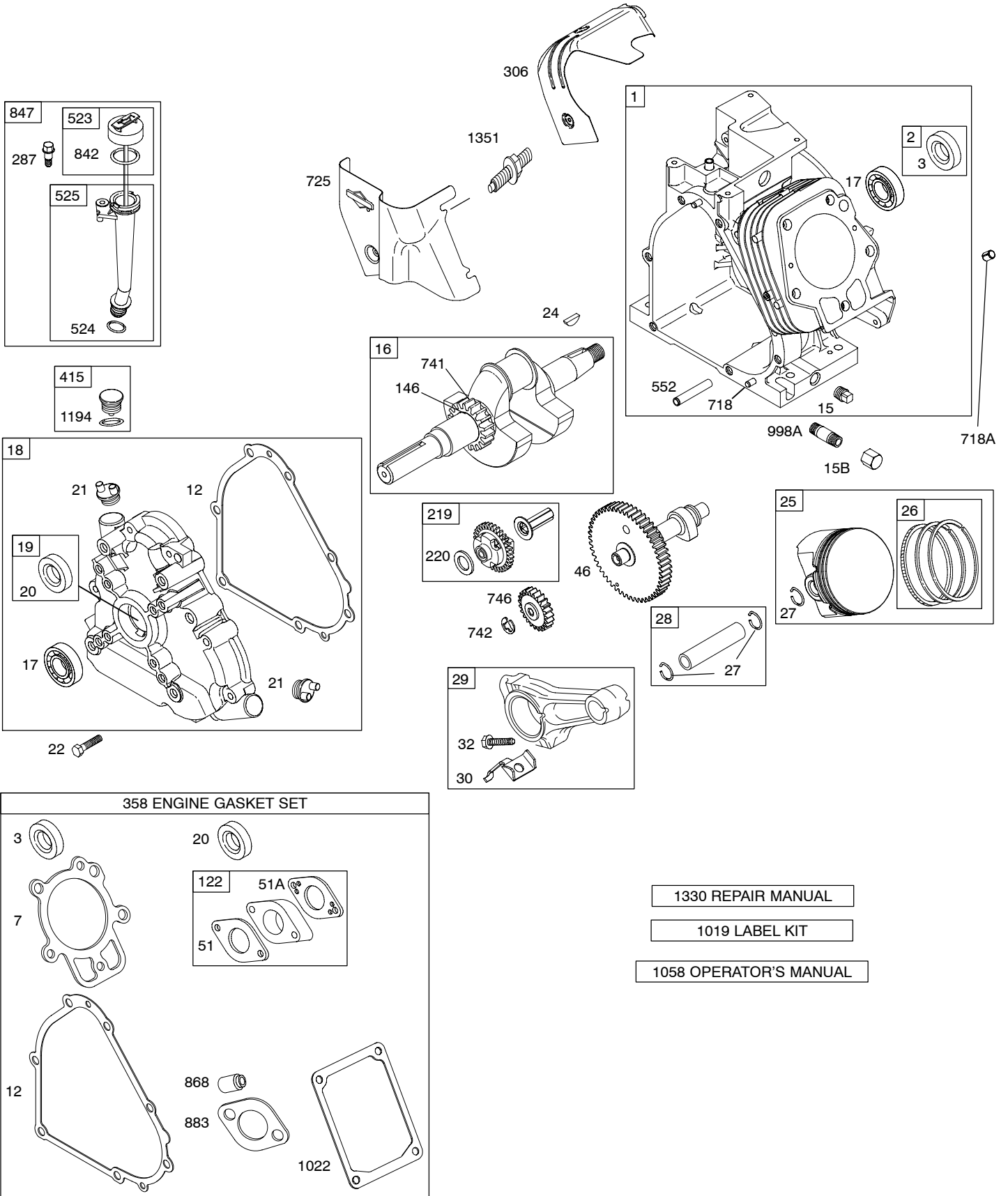
Air Cleaner	5
Alternator	8
Blower Housing/Shrouds	6
Camshaft	2
Carburetor	4
Controls	7
Crankcase Cover	2
Crankshaft	2
Cylinder	2
Cylinder Head	3
Electric Starter	8
Exhaust System	5
Flywheel	6
Fuel Supply	8
Governor Spring	7
Ignition	8
Kit/Gasket Sets - Carburetor	4
Kit/Gasket Sets - Engine	2
Kit/Gasket Sets - Valves	3
Lubrication	2
Piston, Rings, Connecting Rod	2
Rewind Starter	6
Valves	3

PRINTED IN U.S.A.



COPYRIGHT by BRIGGS & STRATTON CORPORATION
All rights reserved. No part of this material may be reproduced or transmitted,
in any form or by any means, electronic or mechanical, including photocopying,
recording or by any information storage and retrieval system, without permission
in writing from Briggs & Stratton Corporation.

20F400

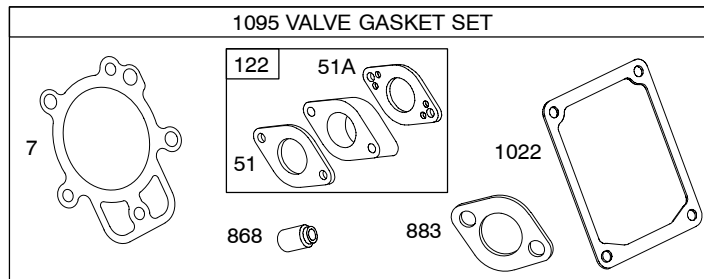
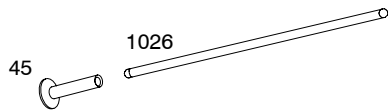
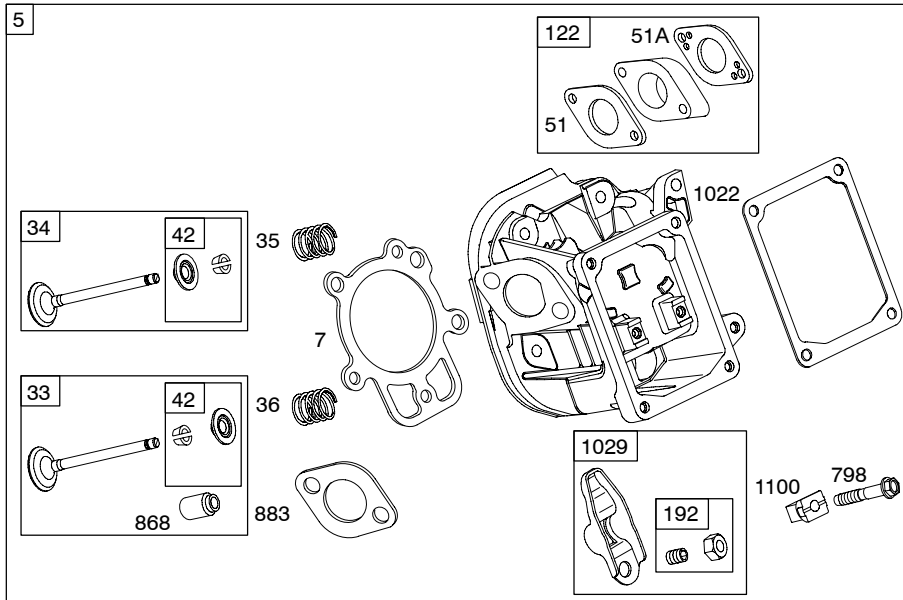
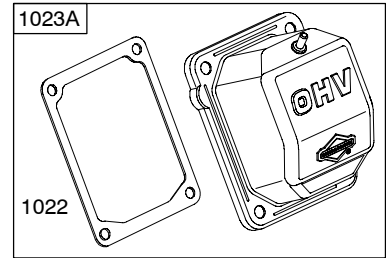
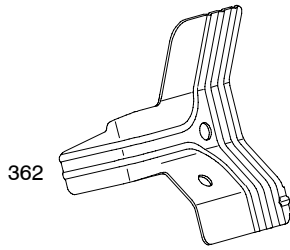


1330 REPAIR MANUAL

1019 LABEL KIT

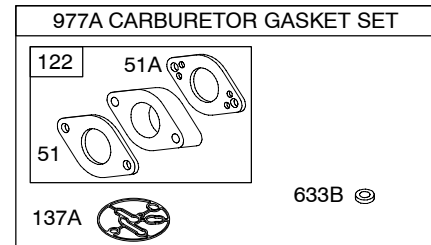
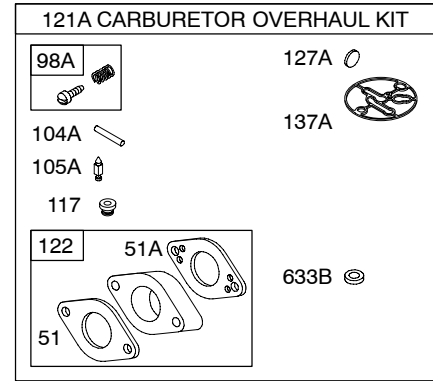
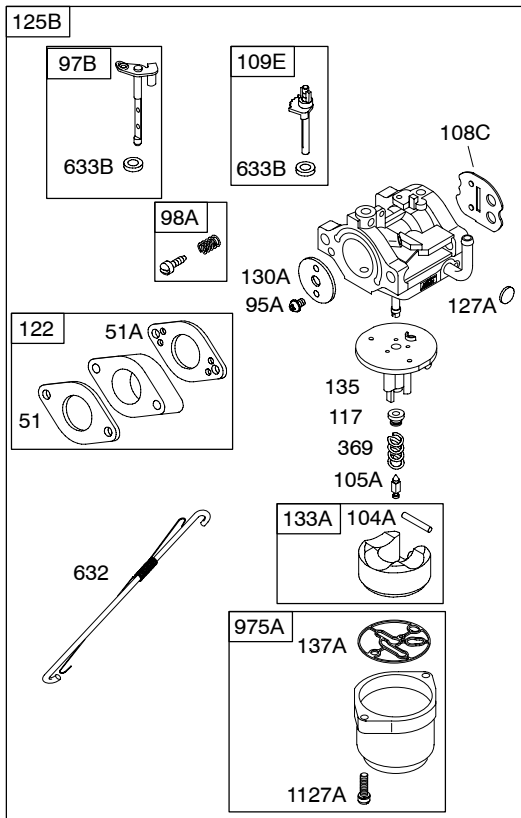
1058 OPERATOR'S MANUAL

Illustrations cover a range of engines. Parts shown without corresponding text are not used on this engine.

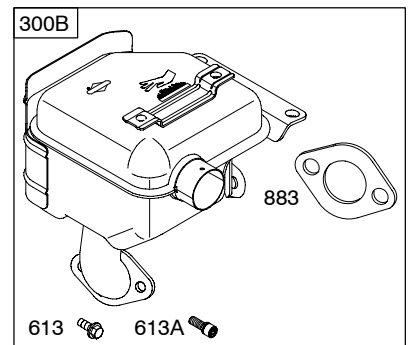
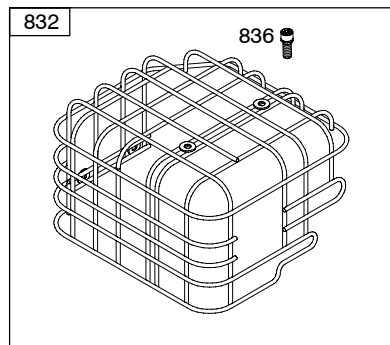
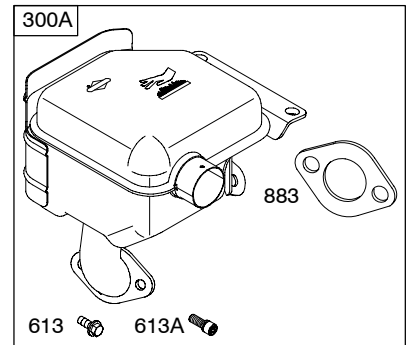
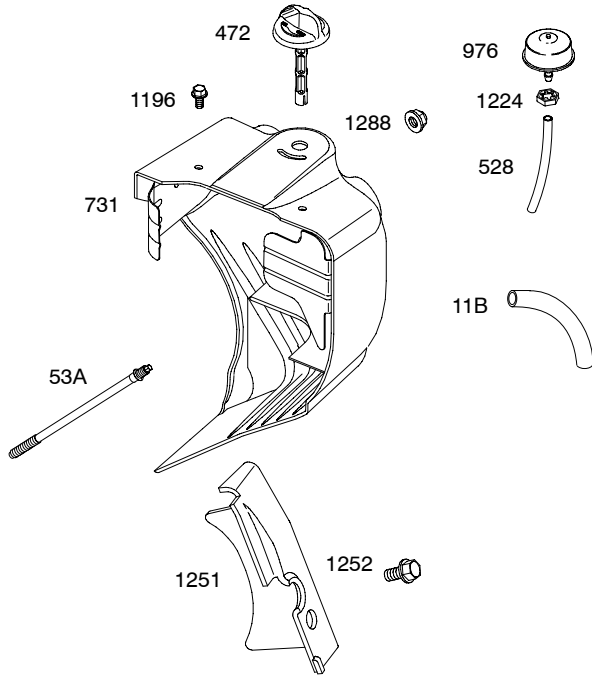


Illustrations cover a range of engines. Parts shown without corresponding text are not used on this engine.

20F400



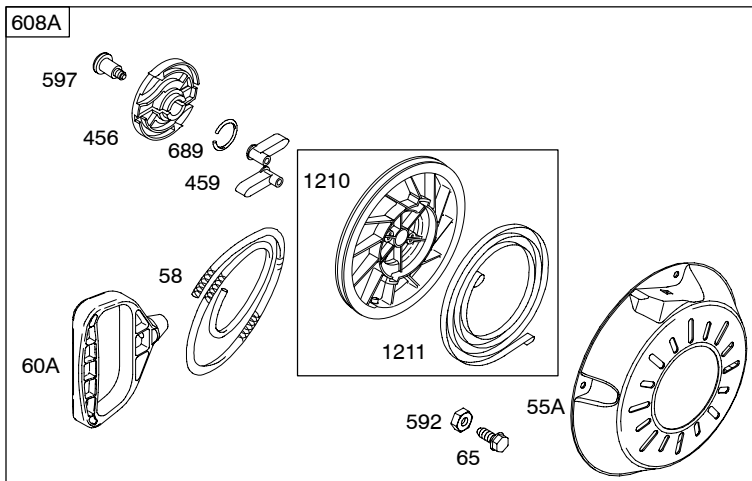
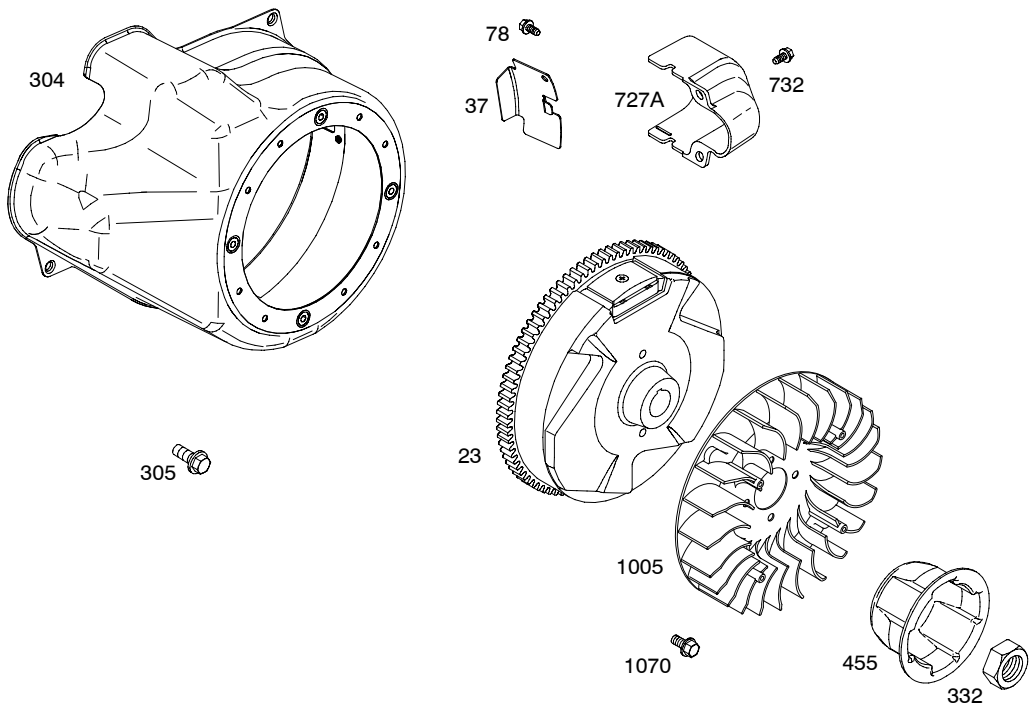
Illustrations cover a range of engines. Parts shown without corresponding text are not used on this engine.



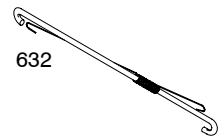
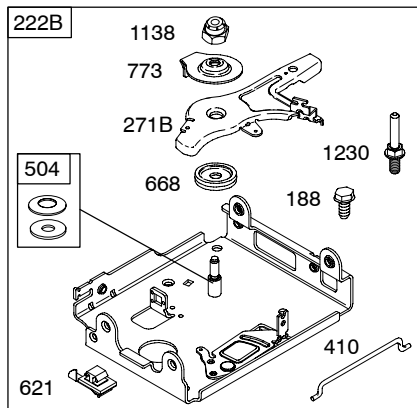
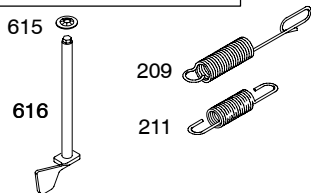
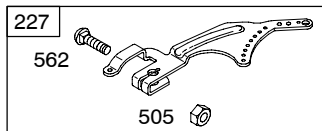
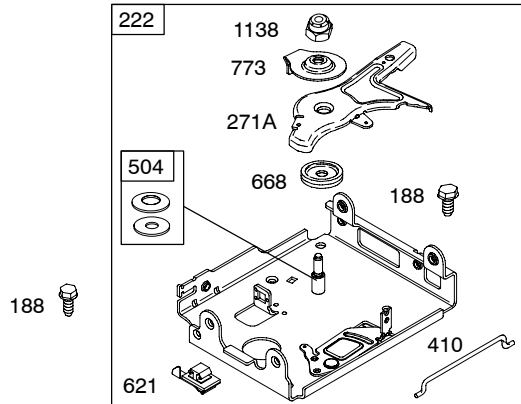
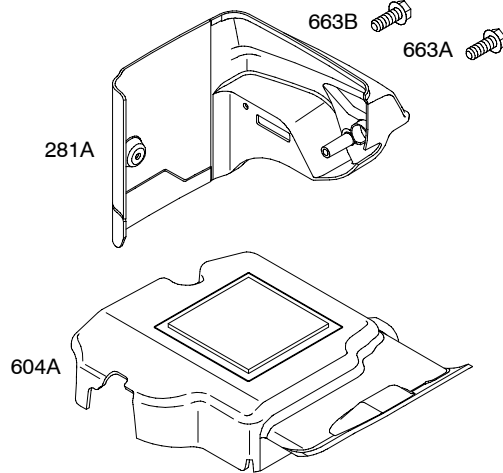
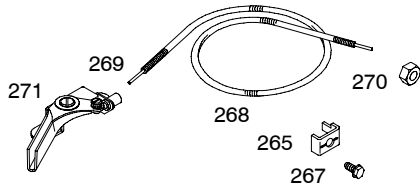
Illustrations cover a range of engines. Parts shown without corresponding text are not used on this engine.
 6765-5 Assemblies include all parts shown in frames. 06/18/2004

20F400

1036 EMISSION LABEL

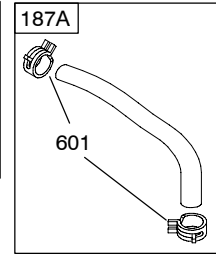
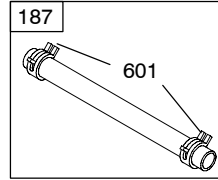
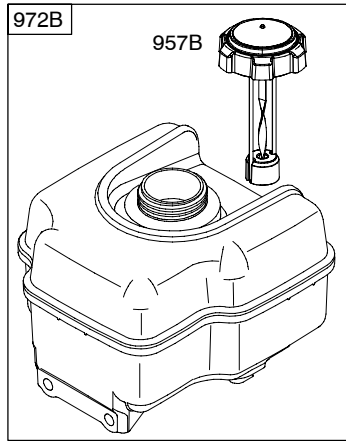
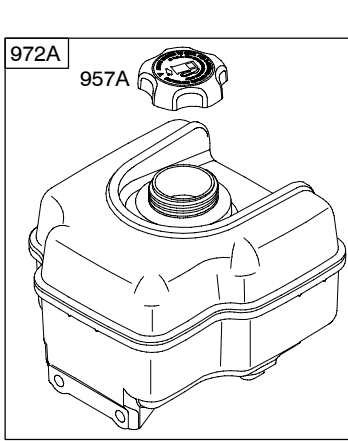


Illustrations cover a range of engines. Parts shown without corresponding text are not used on this engine.
6765-6 Assemblies include all parts shown in frames. 06/18/2004

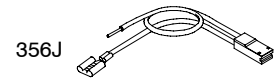
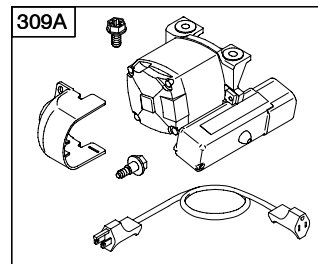
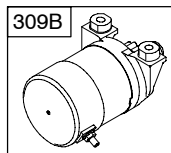
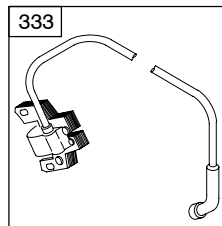
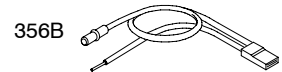
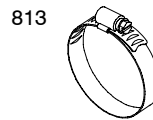
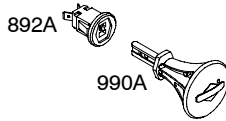
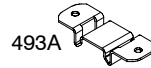


Illustrations cover a range of engines. Parts shown without corresponding text are not used on this engine.

20F400



DC ONLY	DUAL CIRCUIT	10 - 16 AMP
<p>474A</p> <p>877A</p>	<p>474B</p> <p>877</p>	<p>474D</p> <p>877C</p>
<p>NOTE: All stators use a No. 1119 mounting screw. </p> <p>NOTE: The proper flywheel part number and/or the alternator magnet size will determine the alternator type or output. See repair instruction manual for additional information.</p>		<p>526</p> <p>501</p>



Illustrations cover a range of engines. Parts shown without corresponding text are not used on this engine.

REF. NO.	PART NO.	DESCRIPTION	REF. NO.	PART NO.	DESCRIPTION	REF. NO.	PART NO.	DESCRIPTION		
1	696772	Cylinder Assembly	20	★391086	Seal-Oil (PTO Side)	40	499586	Retainer-Valve		
2	698340	Kit-Bushing/Seal (Magneto Side)	21	281658	Cap-Oil Fill	42	499586	Keeper-Valve		
		----- Note -----	22	695174	Screw (Crankcase Cover/ Sump)	45	690977	Tappet-Valve		
		495657 Kit-Bushing/ Seal (Magneto Side) Used on Type No(s). 0113.	23	695485	Flywheel	46	790496	Camshaft		
3	★391086	Seal-Oil (Magneto Side)	24	222698	Key-Flywheel	51★△◆	694874	Gasket-Intake		
5	697233	Head-Cylinder (Used After Code Date 01102800).	25	694003	Piston Assembly (Standard)	51A★△◆	694875	Gasket-Intake		
		----- Note -----			----- Note -----	53A	696753	Stud (Carburetor)		
		698040 Head-Cylinder (Used Before Code Date 01102900).			694005 Piston Assembly (.010" Oversize)	55A	696710	Housing-Rewind Starter		
7	★△694872	Gasket-Cylinder Head			694007 Piston Assembly (.020" Oversize)	58	693389	Rope-Starter (Cut to Required Length)		
11B	696750	Tube-Breather			694009 Piston Assembly (.030" Oversize)	60A	695740	Grip-Starter Rope		
12	★694953	Gasket-Crankcase	26	694004	Ring Set (Standard)	65	695453	Screw (Rewind Starter)		
13	690360	Screw (Cylinder Head)			----- Note -----	78	695724	Screw (Flywheel Guard) Used on Type No(s). 0100.		
15	691686	Plug-Oil Drain			694006 Ring Set (.010" Oversize)	95A	690718	Screw (Throttle Valve)		
15B	695757	Plug-Oil Drain			694008 Ring Set (.020" Oversize)	97B	696387	Shaft-Throttle		
16	695369	Crankshaft			694010 Ring Set (.030" Oversize)	98A	◆695408	Kit-Idle Speed		
		----- Note -----	27	690975	Lock-Piston Pin	104A	◆694918	Pin-Float Hinge		
		695462 Crankshaft Used on Type No(s). 0017, 0113, 0114.	28	690229	Pin-Piston	105A	◆696136	Valve-Float Needle		
17	695434	Bearing-Ball Used on Type No(s). 0113, 0114.	29	694691	Rod-Connecting	108C	696736	Valve-Choke		
18	696914	Cover-Crankcase	30	694692	Dipper-Connecting Rod	109E	696735	Shaft-Choke		
		----- Note -----	32	690976	Screw (Connecting Rod)	117	◆696134	Jet-Main (Standard)		
		698343 Cover- Crankcase Used on Type No(s). 0113, 0114.	33	499596	Valve-Exhaust	118	696135	Jet-Main (High Altitude)		
19	698340	Kit-Bushing/Seal (PTO Side)	34	697464	Valve-Intake	121A	696146	Kit-Carburetor Overhaul (Nikki Carburetor)		
		----- Note -----	35	694865	Spring-Valve (Intake)			122★△◆	694876	Spacer-Carburetor
		495657 Kit-Bushing/ Seal (PTO Side) Used on Type No(s). 0113.	36	694865	Spring-Valve (Exhaust)	125B	696737	Carburetor		
			37	699047	Guard-Flywheel Used on Type No(s). 0100.	127A	◆690727	Plug-Welch		
						130A	696139	Valve-Throttle		
						133A	694914	Float-Carburetor		
						135	696142	Tube-Fuel Transfer		
						137A	◆◆695426	Gasket-Float Bowl		
						146	690979	Key-Timing		

★ Included in Engine Gasket Set-Ref. No.358.

● Included in Carburetor Overhaul Kit-Ref. No. 121 & 121A.

◆ Included in Carburetor Gasket Set-Ref. No. 977 & 977A.

△ Included in Valve Gasket Set-Ref. No 1095.

Illustrations cover a range of engines. Parts shown without corresponding text are not used on this engine.

20F400

REF. NO.	PART NO.	DESCRIPTION	REF. NO.	PART NO.	DESCRIPTION	REF. NO.	PART NO.	DESCRIPTION
187	691050	Line-Fuel (Cut to Required Length)	281A	697400	Panel-Control (Used After Code Date 01102800).	309A	696611	Motor-Starter
187A	695429	Line-Fuel			----- Note -----	309B	790275	Motor-Starter Used on Type No(s). 0113.
188	690877	Screw (Control Bracket)			696703 Panel-Control (Used Before Code Date 01102900).			----- Note ----- 698162 Motor-Starter Used on Type No(s). 0114.
190	692127	Screw (Fuel Tank)	287	691693	Screw (Dipstick/Tube)	332	694685	Nut (Flywheel)
192	690083	Adjuster-Rocker Arm	300A	699211	Muffler	333	715231	Armature-Magneto
209	694867	Spring-Governor	300B	699222	Muffler (Used After Code Date 03041300). Used on Type No(s). 0113, 0114.	334	691061	Screw (Magneto Armature)
211	695307	Spring-Governor Idle			----- Note -----	337	491055	Plug Spark
219	693578	Gear-Governor			698160 Muffler (Used Before Code Date 03041400). Used on Type No(s). 0113.	356B	699340	Wire-Stop Used on Type No(s). 0113, 0114.
220	691724	Washer (Governor Gear)	304	697469	Housing-Blower ----- Note ----- 696476 Housing-Blower (Used Before Code Date 01102900).	356G	696748	Wire-Stop
222B	698034	Bracket-Control ----- Note ----- 698161 Bracket-Control Used on Type No(s). 0114.			699339 Blower Housing Used on Type No(s). 0113.	356J	696700	Wire-Stop
227	694864	Lever-Governor Control ----- Note ----- 696637 Lever Governor Control Used on Type No(s). 0112.	305	691108	Screw (Blower Housing)	358	695438	Gasket Set-Engine
265	691024	Clamp-Casing	306	697240	Shield-Cylinder (Used After Code Date 01102800). ----- Note -----	362	698041	Shield-Spark Plug
267	692577	Screw (Casing Clamp)			694677 Shield-Cylinder (Used Before Code Date 01102900).	369	695422	Spring-Float Bowl
268	691025	Casing-Control Wire (Cut to Required Length)				383	19374	Wrench-Spark Plug
269	691026	Wire-Control (Cut to Required Length)				410	695382	Link-Control
270	691027	Nut (Control Wire Casing)				415	691363	Plug
271A	695381	Lever Control Used on Type No(s). 0113, 0114.				415A	699337	Plug (Key Switch) Used on Type No(s). 0113, 0114.
271B	698035	Lever-Control				455	697226	Cup-Flywheel
						456	692299	Plate-Pawl Friction
						459	281505	Pawl-Ratchet
						472	696752	Knob-Choke Shaft
						474A	695730	Alternator (3 Amps DC)
						474B	696742	Alternator (Dual Circuit) Used on Type No(s). 0017, 0019, 0112.
						474D	695466	Alternator (Dual Circuit) Used on Type No(s). 0113, 0114.
						485	695755	Knob-Control

★ Included in Engine Gasket Set-Ref. No.358.

● Included in Carburetor Overhaul Kit-Ref. No. 121 & 121A.

◆ Included in Carburetor Gasket Set-Ref. No. 977 & 977A.

△ Included in Valve Gasket Set-Ref. No 1095.

Illustrations cover a range of engines. Parts shown without corresponding text are not used on this engine.

REF. NO.	PART NO.	DESCRIPTION	REF. NO.	PART NO.	DESCRIPTION	REF. NO.	PART NO.	DESCRIPTION
493A	691177	Bracket-Mounting Used on Type No(s). 0113.	635	710901	Boot-Spark Plug (Alternator)	813	690635	Clamp Used on Type No(s). 0113.
501	691185	Regulator Used on Type No(s). 0113.	663A	696685	Screw (Control Panel)	832	699223	Guard-Muffler
504	695383	Washer Set-Friction	663B	696704	Screw (Control Panel)	836	691003	Screw (Muffler Guard)
505	691251	Nut (Governor Control Lever)	668	694257	Spacer (Control Bracket)	842	691031	Seal-O Ring (Dipstick/Tube)
523	695344	Dipstick	689	691855	Spring-Friction	847	695342	Dipstick/Tube Assembly
524	691876	Seal-O Ring (Dipstick Tube)	697	698113	Screw (Drive Cap)	868	★△690968	Seal-Valve
525	695343	Tube-Dipstick	718	690959	Pin-Locating (Cylinder)	877	393814	Wire/Connector- Alternator
526	690297	Screw (Mounting Bracket)	718A	695178	Pin-Locating (Head)	877A	399916	Wire/Connector- Alternator
528	696751	Hose-Primer	725	696756	Shield-Heat	877C	393456	Wire/Connector- Alternator
552	694674	Bushing-Governor Crank	727A	697465	Cover-Starter Drive Used on Type No(s). 0017, 0019, 0112, 0113, 0114.	883	★△695398	Gasket-Exhaust
562	691119	Bolt (Governor Control Lever)	731	790222	Hood-Snow (Used After Code Date 04061500).	892A	★△696749	Switch-Key
592	690800	Nut (Rewind Starter)			----- Note -----	914	693732	Screw (Rocker Cover)
597	691696	Screw (Pawl Friction Plate)			697399 Hood-Snow (Used After Code Date 01102800 and Before Code Date 04061600).	930	696709	Guard-Rewind
601	95162	Clamp-Hose			696755 Hood-Snow (Used Before Code Date 01102900).	957A	695737	Cap-Fuel (Plastic)
604A	696758	Cover-Control	732	691097	Screw (Starter Drive Cover) Used on Type No(s). 0113, 0114.	957B	698109	Cap-Fuel (Gauge) Used on Type No(s). 0113, 0114.
608A	699335	Starter-Rewind	741	691288	Gear-Timing	958	698180	Valve-Fuel Shut Off (Plastic)
613	695312	Screw (Muffler)	742	692564	Retainer-E Ring	972A	695728	Tank-Fuel (Plastic)
613A	696705	Screw (Muffler) (Torx Head)	746	694679	Gear-Idler	972B	698110	Tank-Fuel (Gauge) Used on Type No(s). 0113, 0114.
615	694676	Retainer-Governor Shaft	773	694258	Retainer	975A	696138	Bowl-Float
616	694675	Crank-Governor	798	697890	Screw (Rocker Arm)			
621	692310	Switch-Stop						
632A	695917	Link-Throttle (Used With Nikki Carburetor)						
633B	◆690998	Seal-Choke/Throttle Shaft						

★ Included in Engine Gasket Set-Ref. No.358.

● Included in Carburetor Overhaul Kit-Ref. No. 121 & 121A.

◆ Included in Carburetor Gasket Set-Ref. No. 977 & 977A.

△ Included in Valve Gasket Set-Ref. No 1095.

Illustrations cover a range of engines. Parts shown without corresponding text are not used on this engine.

20F400

REF. NO.	PART NO.	DESCRIPTION	REF. NO.	PART NO.	DESCRIPTION	REF. NO.	PART NO.	DESCRIPTION
976	790221	Primer-Carburetor (Used After Code Date 04061500). ----- Note ----- 695750 Primer-Carburetor (Used Before Code Date 04061600).	1058	275697	Operator's Manual	1210	498144	Pulley/Spring Assembly (Pulley)
977A	696147	Gasket Set-Carburetor	1070	691058	Screw (Flywheel Fan)	1211	498144	Pulley/Spring Assembly (Spring)
990A	695756	Key Set	1095	695440	Gasket Set-Valve	1224	696824	Nut (Carburetor Primer)
998A	696683	Pipe-Oil Used on Type No(s). 0112.	1100	690973	Pivot-Rocker Arm	1230	696747	Stud (Control Bracket)
1005	694684	Fan-Flywheel	1119	691183	Screw (Alternator)	1251	696762	Shield-Snow
1019	696745	Kit-Label ----- Note ----- 695751 Kit-Label Used on Type No(s). 0017, 0019, 0112, 0114.	1127A	695407	Screw (Float Bowl)	1252	696763	Screw (Snow Shield)
1022	★Δ690971	Gasket-Rocker Cover	1138	694255	Nut (Control Bracket)	1275	696757	Nut (Rocker Cover)
1023A	698042	Cover-Rocker Arm	1171	696754	Stud (Rocker Cover)	1288	696757	Nut (Snow Hood)
1026	695177	Rod-Push	1194	691876	Seal-O Ring (Plug)	1330	272147	Repair Manual
1029	690972	Arm-Rocker	1196	699166	Screw (Snow Hood) (Used After Code Date 03041300). ----- Note ----- 696685 Screw (Snow Hood) (Used Before Code Date 03041400).	1351	790017	Stud (Cylinder Shield)
1036	698179	Label-Emissions (Used After Code Date 02063000) ----- Note ----- 695703 Label-Emissions (Used Before Code Date 02070100).				1352	790026	Nut (Spark Plug Shield)

★ Included in Engine Gasket Set-Ref. No.358.

● Included in Carburetor Overhaul Kit-Ref. No. 121 & 121A.

◆ Included in Carburetor Gasket Set-Ref. No. 977 & 977A.

Δ Included in Valve Gasket Set-Ref. No 1095.

Illustrations cover a range of engines. Parts shown without corresponding text are not used on this engine.