

20G400

Illustrated Parts List

Model Series

20G400

TYPE NUMBERS
0017 through 0222.

TABLE OF CONTENTS

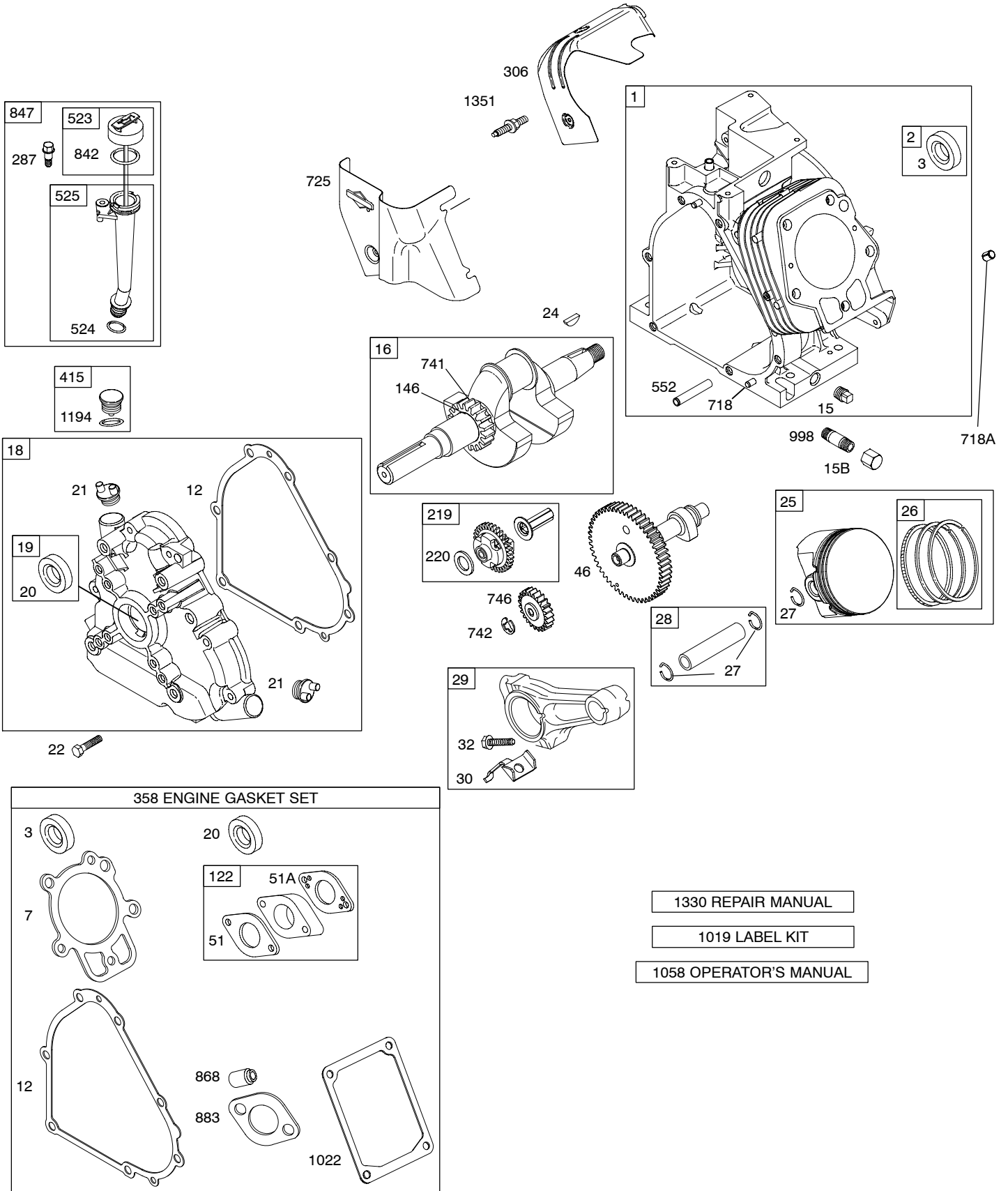
Air Cleaner	5
Alternator	9
Blower Housing/Shrouds	6
Camshaft	2
Carburetor	4
Controls	7
Crankcase Cover	2
Crankshaft	2
Cylinder	2
Cylinder Head	3
Electric Starter	9
Exhaust System	5
Flywheel	6
Fuel Supply	8
Governor Spring	7
Ignition	9
Kit/Gasket Sets - Carburetor	5
Kit/Gasket Sets - Engine	2
Kit/Gasket Sets - Valves	3
Lubrication	2
Piston, Rings, Connecting Rod	2
Rewind Starter	6
Valves	3

PRINTED IN U.S.A.

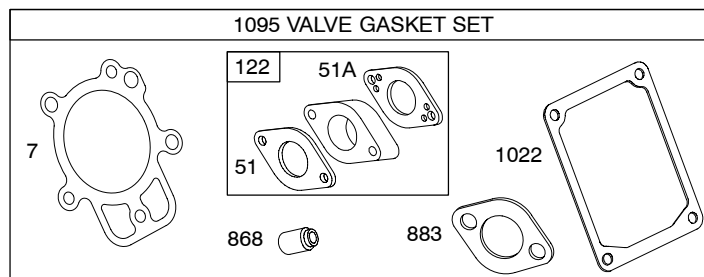
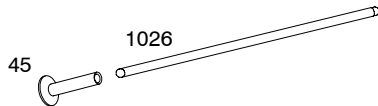
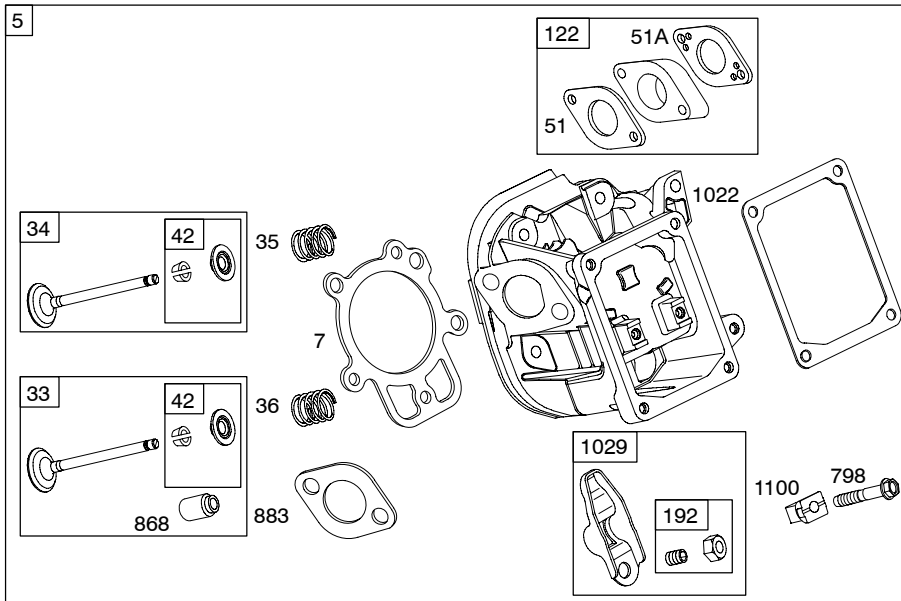
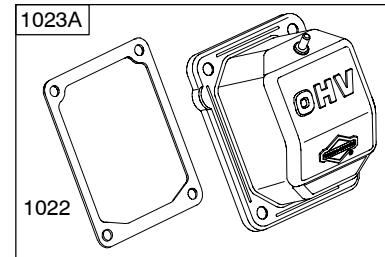
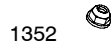
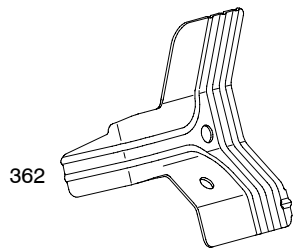


COPYRIGHT by BRIGGS & STRATTON CORPORATION
All rights reserved. No part of this material may be reproduced or transmitted,
in any form or by any means, electronic or mechanical, including photocopying,
recording or by any information storage and retrieval system, without permission
in writing from Briggs & Stratton Corporation.

20G400

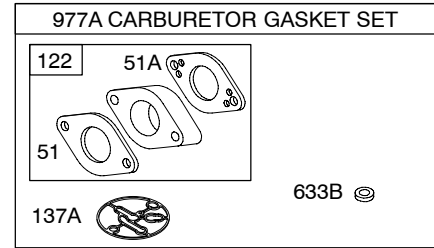
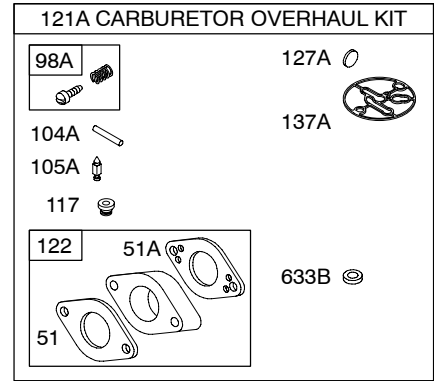
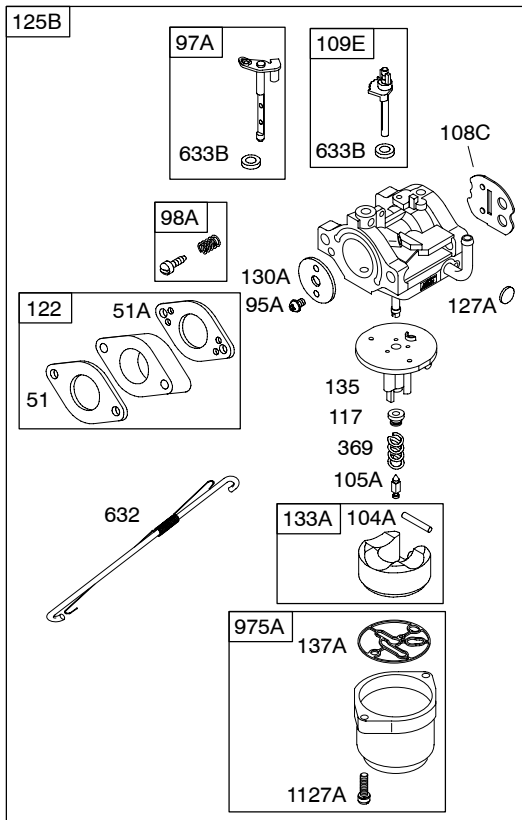


Illustrations cover a range of engines. Parts shown without corresponding text are not used on this engine.
5547-2 Assemblies include all parts shown in frames. **06/22/2004**

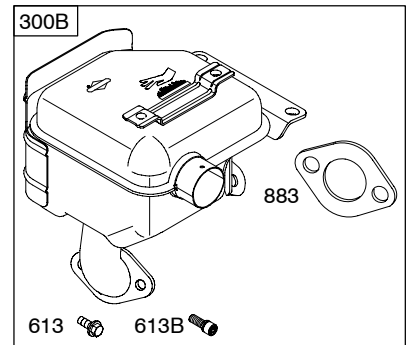
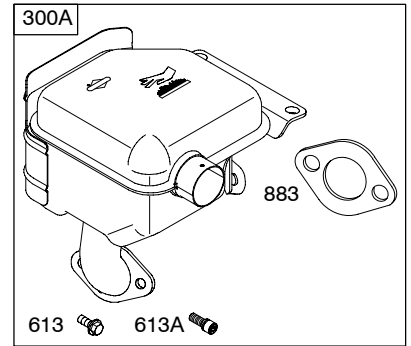
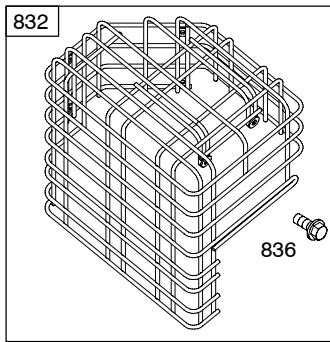
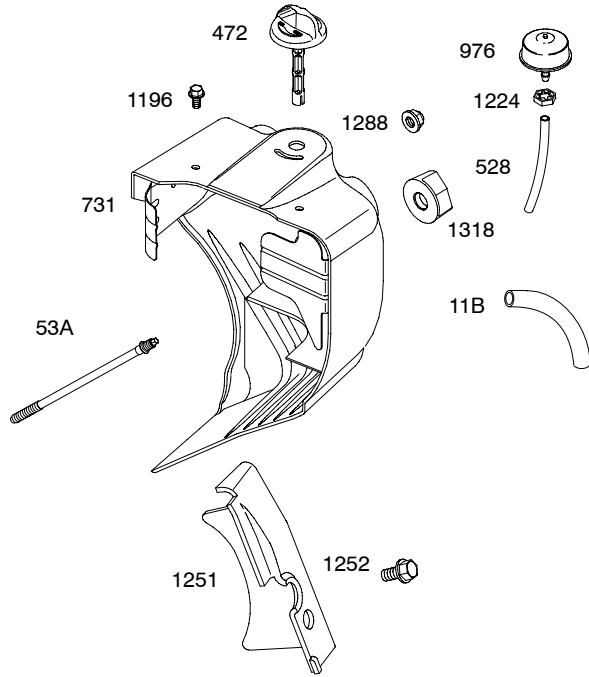


Illustrations cover a range of engines. Parts shown without corresponding text are not used on this engine.

20G400

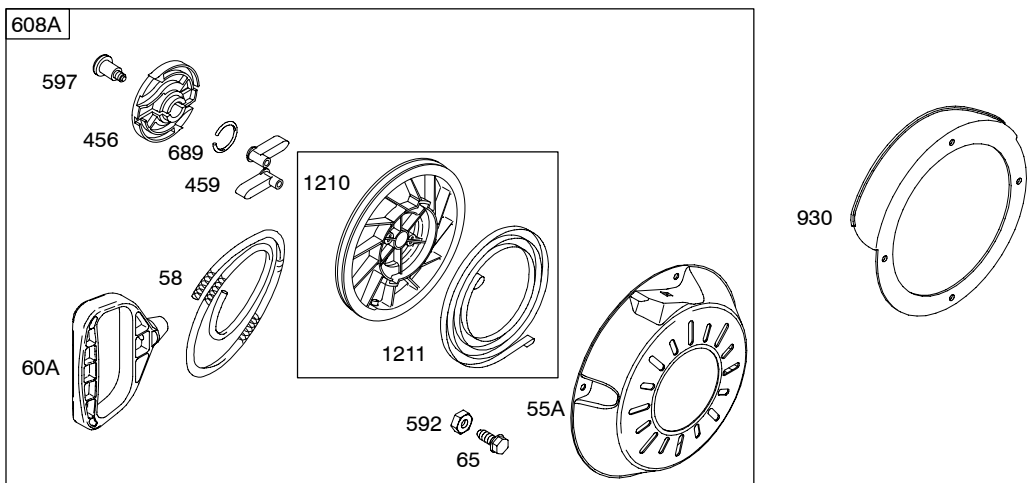
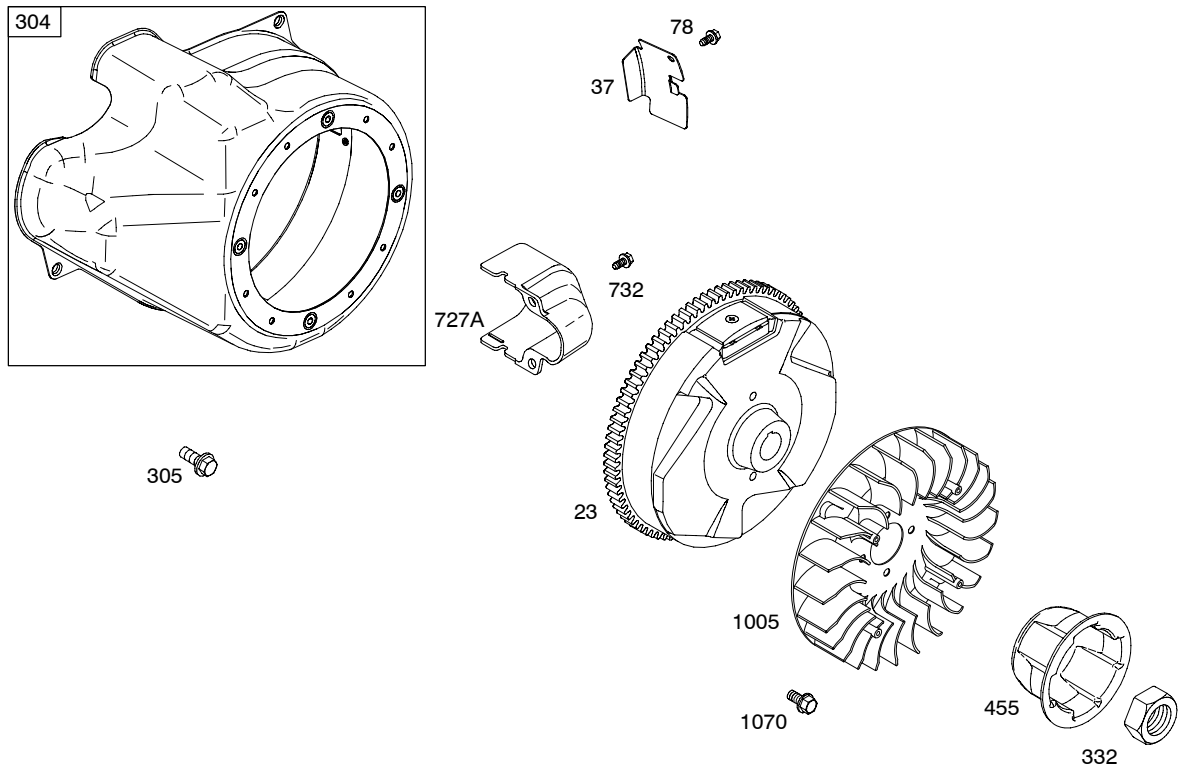


Illustrations cover a range of engines. Parts shown without corresponding text are not used on this engine.

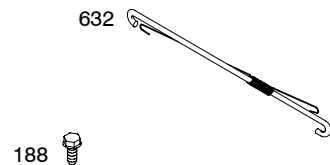
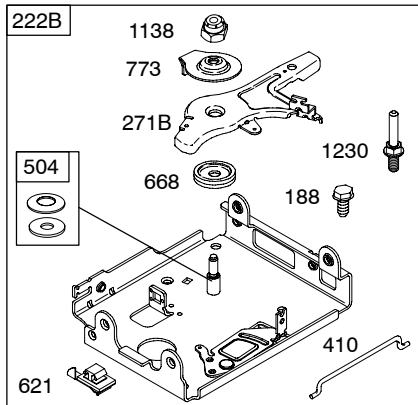
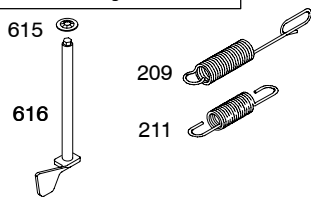
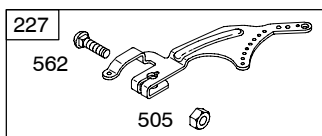
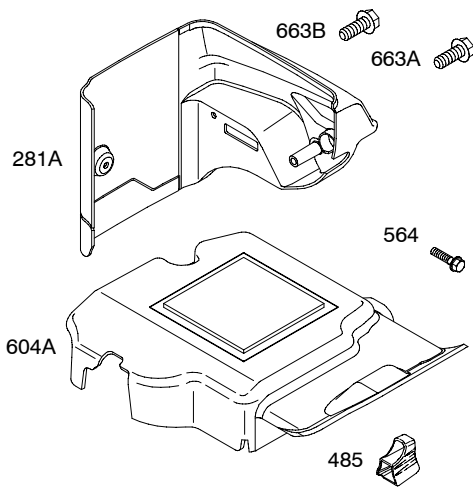
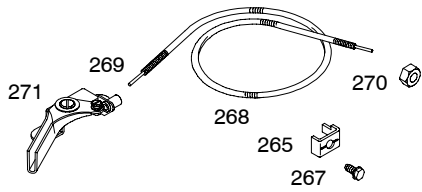


Illustrations cover a range of engines. Parts shown without corresponding text are not used on this engine.

1036 EMISSION LABEL

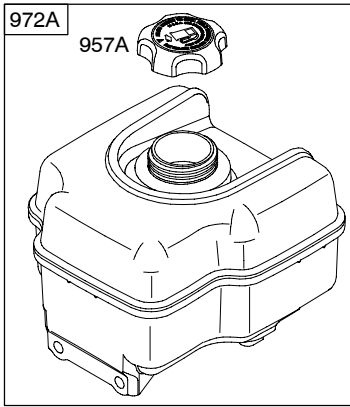


Illustrations cover a range of engines. Parts shown without corresponding text are not used on this engine.

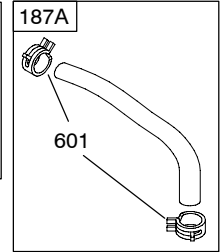
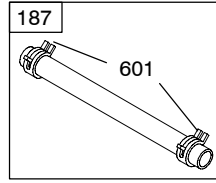


5547-7 *Illustrations cover a range of engines. Parts shown without corresponding text are not used on this engine.* Assemblies include all parts shown in frames. 06/22/2004

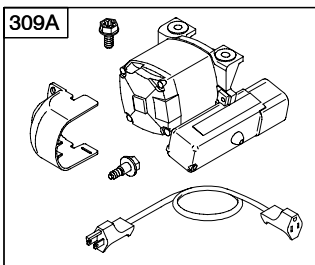
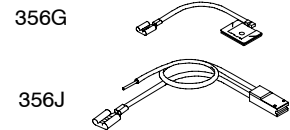
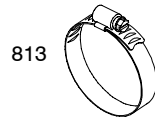
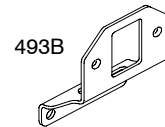
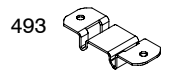
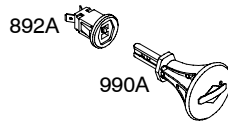
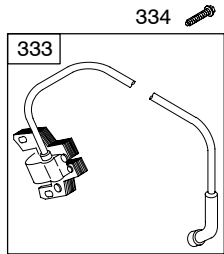
20G400



190



AC ONLY	DC ONLY	DUAL CIRCUIT	5 - 9 AMP
474	474A	474B	474C
<p>NOTE: All stators use a No. 1119 mounting screw. </p> <p>NOTE: The proper flywheel part number and/or the alternator magnet size will determine the alternator type or output. See repair instruction manual for additional information.</p>			<p>526 </p> <p>501 </p>



Illustrations cover a range of engines. Parts shown without corresponding text are not used on this engine.

REF. NO.	PART NO.	DESCRIPTION	REF. NO.	PART NO.	DESCRIPTION	REF. NO.	PART NO.	DESCRIPTION	
1	695464	Cylinder Assembly	26	694004	Ring Set (Standard) ----- Note -----	78	695724	Screw (Flywheel Guard) Used on Type No(s). 0110.	
2	698340	Kit-Bushing/Seal (Magneto Side)				95A	690718	Screw (Throttle Valve)	
3	★391086	Seal-Oil (Magneto Side)			694006	Ring Set (.010" Oversize)	97A	696387	Shaft-Throttle
5	697233	Head-Cylinder			694008	Ring Set (.020" Oversize)	98A	●695408	Kit-Idle Speed
7	★△694872	Gasket-Cylinder Head			694010	Ring Set (.030" Oversize)	104A	●694918	Pin-Float Hinge
11B	696750	Tube-Breather	27	690975	Lock-Piston Pin	105A	●696136	Valve-Float Needle	
12	★694953	Gasket-Crankcase	28	690229	Pin-Piston	108C	696736	Valve-Choke	
13	690360	Screw (Cylinder Head)	29	694691	Rod-Connecting	109E	696735	Shaft-Choke	
15	691686	Plug-Oil Drain	30	694692	Dipper-Connecting Rod	117	●696134	Jet-Main (Standard)	
15B	695757	Plug-Oil Drain	32	690976	Screw (Connecting Rod)	118	696135	Jet-Main (High Altitude)	
16	696412	Crankshaft	33	499596	Valve-Exhaust	121A	696146	Kit-Carburetor Overhaul (Nikki Carburetor)	
18	696914	Cover-Crankcase	34	697464	Valve-Intake			122★△◆694876	Spacer-Carburetor
19	698340	Kit-Bushing/Seal (PTO Side)	35	694865	Spring-Valve (Intake)	125B	696737	Carburetor	
20	★391086	Seal-Oil (PTO Side)	36	694865	Spring-Valve (Exhaust)	127A	●690727	Plug-Welch	
21	281658	Cap-Oil Fill	37	699047	Guard-Flywheel Used on Type No(s). 0110.	130A	696139	Valve-Throttle	
22	695174	Screw (Crankcase Cover/ Sump)	42	499586	Keeper-Valve	133A	694914	Float-Carburetor	
23	695485	Flywheel	45	690977	Tappet-Valve	135	696142	Tube-Fuel Transfer	
24	222698	Key-Flywheel	46	790496	Camshaft	137A	◆695426	Gasket-Float Bowl	
25	695457	Piston Assembly (Standard) ----- Note -----	51★△◆694874	Gasket-Intake	146	690979	Key-Timing		
	695458	Piston Assembly (.010" Oversize)	51A★△◆694875	Gasket-Intake	187	691050	Line-Fuel (Cut to Required Length)		
	695459	Piston Assembly (.020" Oversize)	53A	696753	Stud (Carburetor)	187A	695429	Line-Fuel ----- Note -----	
	695460	Piston Assembly (.030" Oversize)	55A	696710	Housing-Rewind Starter			698080	Line-Fuel Used on Type No(s). 0222.
			58	693389	Rope-Starter	188	690877	Screw (Control Bracket)	
			60A	695740	Grip-Starter Rope	190	692127	Screw (Fuel Tank)	
			65	697725	Screw (Rewind Starter)				

★ Included in Engine Gasket Set-Ref. No.358.

● Included in Carburetor Overhaul Kit-Ref. No. 121 & 121A.

◆ Included in Carburetor Gasket Set-Ref. No. 977 & 977A.

△ Included in Valve Gasket Set-Ref. No 1095.

Illustrations cover a range of engines. Parts shown without corresponding text are not used on this engine.

20G400

REF. NO.	PART NO.	DESCRIPTION	REF. NO.	PART NO.	DESCRIPTION	REF. NO.	PART NO.	DESCRIPTION
192	690083	Adjuster-Rocker Arm	304	697469	Housing-Blower (Used After Code Date 01102800).	472	696752	Knob-Choke Shaft ----- Note -----
209	694867	Spring-Governor						698111 Knob-Choke Shaft
211	695307	Spring-Governor Idle						Used on Type No(s). 0222.
219	693578	Gear-Governor						
220	691724	Washer (Governor Gear)						
222B	698034	Bracket-Control				474	694457	Alternator Used on Type No(s). 0368.
227	694864	Lever-Governor Control	305	691108	Screw (Blower Housing)	474A	695730	Alternator Used on Type No(s). 0222.
265	691024	Clamp-Casing	306	697240	Shield-Cylinder	474B	698230	Alternator Used on Type No(s). 0019.
267	692577	Screw (Casing Clamp)	309A	698311	Motor-Starter Used on Type No(s). 0017, 0111.			
268	691025	Casing-Control Wire (Cut to Required Length)						
269	691026	Wire-Control (Cut to Required Length)						
270	691027	Nut (Control Wire Casing)	318	690372	Screw (Mounting Bracket)	474C	698314	Alternator
271	696697	Lever-Control	332	694685	Nut (Flywheel)	485	695755	Knob-Control
271B	698035	Lever-Control	333	715231	Armature-Magneto	493	691177	Bracket-Mounting
281A	697400	Panel-Control ----- Note -----	334	691061	Screw (Magneto Armature)	493B	699048	Bracket-Mounting Used on Type No(s). 0110.
		698081 Panel-Control Used on Type No(s). 0222.	337	491055	Plug-Spark ----- Note -----	501	698315	Regulator
287	691693	Screw (Dipstick Tube)				503	698318	Strap-Starter Used on Type No(s). 0017, 0111.
300A	699211	Muffler Used on Type No(s). 0222.				504	695383	Washer Set-Friction
300B	699222	Muffler Used on Type No(s). 0017, 0019, 0110, 0111, 0368.	356G	696748	Wire-Stop	505	691251	Nut (Governor Control Lever)
			356J	696700	Wire-Stop	523	695344	Dipstick
			358	695438	Gasket Set-Engine	524	691876	Seal-Dipstick Tube
			362	698041	Shield-Spark Plug	525	695343	Tube-Dipstick
			369	695422	Spring-Float Bowl	526	690297	Screw (Regulator) Used on Type No(s). 0110.
			383	19374	Wrench-Spark Plug	528	696751	Hose-Primer
			410	695382	Link-Control	552	694674	Bushing-Governor Crank
			415	691363	Plug	562	691119	Bolt (Governor Control Lever)
			455	697226	Cup-Flywheel			
			456	692299	Plate-Pawl Friction			
			459	281505	Pawl-Ratchet			

★ Included in Engine Gasket Set-Ref. No.358.

● Included in Carburetor Overhaul Kit-Ref. No. 121 & 121A.

◆ Included in Carburetor Gasket Set-Ref. No. 977 & 977A.

△ Included in Valve Gasket Set-Ref. No 1095.

Illustrations cover a range of engines. Parts shown without corresponding text are not used on this engine.

REF. NO.	PART NO.	DESCRIPTION	REF. NO.	PART NO.	DESCRIPTION	REF. NO.	PART NO.	DESCRIPTION
564	696692	Screw (Control Cover)	727A	697465	Cover–Starter Drive	972A	695728	Tank–Fuel (Plastic)
592	690800	Nut (Rewind Starter)	731	790222	Hood–Snow (Used After Code Date 04061500).	975A	696138	Bowl–Float
597	691696	Screw (Pawl Friction Plate)			----- Note -----	976	790221	Primer–Carburetor (Used After Code Date 04061500).
601	95162	Clamp–Hose			697399 Hood–Snow (Used Before Code Date 04061600).			----- Note -----
604A	696758	Cover–Control	732	691097	Screw (Starter Drive Cover)			695750 Primer– Carburetor (Used Before Code Date 04061600).
608A	699335	Starter–Rewind	741	691288	Gear–Timing	977A	696147	Gasket Set–Carburetor (Used With Nikki Carburetor)
613	695312	Screw (Muffler)	742	692564	Retainer–E Ring			
613B	696705	Screw (Muffler) (Torx Head)	746	694679	Gear–Idler			
615	694676	Retainer–Governor Shaft	773	694258	Retainer	990A	695756	Key Set
616	694675	Crank–Governor	798	697890	Screw (Rocker Arm)	998	696683	Pipe–Oil
621	692310	Switch–Stop	813	690635	Clamp	1005	694684	Fan–Flywheel
632	695917	Link–Throttle (Nikki)	832	699223	Guard–Muffler Used on Type No(s). 0019, 0110,0368.	1019	695751	Kit–Label
633B	◆690998	Seal–Choke/Throttle Shaft	836	691003	Screw (Muffler Guard)	1022	★△690971	Gasket–Rocker Cover
635	710901	Boot–Spark Plug (Alternator)	842	691031	Seal–O Ring (Dipstick Tube)	1023A	698042	Cover–Rocker Arm
663A	696685	Screw (Control Panel)	847	695342	Dipstick–Tube Assembly	1026	695177	Rod–Push
663B	696704	Screw (Control Panel) (1–3/4" Long)	868	★△690968	Seal–Valve	1029	690972	Arm–Rocker
668	694257	Spacer (Control Bracket)	877	393537	Wire/Connector– Alternator	1036	698179	Label–Emissions (Used After Code Date 02063000).
689	691855	Spring–Friction	877A	393456	Wire/Connector– Alternator			----- Note -----
697	698113	Screw (Drive Cap)	877B	393814	Wire/Connector– Alternator	1058	275697	Operator’s Manual ----- Note -----
718	690959	Pin–Locating (Cylinder)	883	★△695398	Gasket–Exhaust			MS5571 Operator’s Manual (12–Language)(West) Used on Type No(s). 0110.
718A	695178	Pin–Locating (Head)	892A	★△696749	Switch–Key	1070	691058	Screw (Flywheel Fan)
725	696756	Shield–Heat	914	693732	Screw (Rocker Cover)	1095	695440	Gasket Set–Valve
			930	696709	Guard–Rewind	1100	690973	Pivot–Rocker Arm
			957A	695737	Cap–Fuel Tank (Plastic)	1119	691183	Screw
			958	698180	Valve–Fuel Shut Off (Plastic)			

★ Included in Engine Gasket Set–Ref. No.358.

● Included in Carburetor Overhaul Kit–Ref. No. 121 & 121A.

◆ Included in Carburetor Gasket Set–Ref. No. 977 & 977A.

△ Included in Valve Gasket Set–Ref. No 1095.

Illustrations cover a range of engines. Parts shown without corresponding text are not used on this engine.

20G400

REF. NO.	PART NO.	DESCRIPTION	REF. NO.	PART NO.	DESCRIPTION	REF. NO.	PART NO.	DESCRIPTION
1127A	695407	(Alternator) Screw (Float Bowl)	1210	498144	Pulley/Spring Assembly (Pulley)	1275	696692	Screw (Rocker Cover)
1138	694255	Nut (Control Bracket)	1211	498144	Pulley/Spring Assembly (Spring)	1288	696757	Nut (Snow Hood)
1171	696754	Stud (Rocker Cover)	1224	696824	Nut (Carburetor Primer)	1318	698111	Knob-Snow Hood
1194	691876	Seal-O Ring (Plug)	1230	696747	Stud (Control Bracket)	1330	272147	Repair Manual
1196	699166	Screw (Snow Hood) (Used After Code Date 03041300).	1251	696762	Shield-Snow	1351	790017	Stud (Cylinder Shield)
		----- Note -----	1252	696763	Screw (Snow Shield)	1352	790026	Nut (Spark-Plug Shield)
		696685 Screw (Snow Hood) (Used Before Code Date 03041400).						

★ Included in Engine Gasket Set-Ref. No.358.

● Included in Carburetor Overhaul Kit-Ref. No. 121 & 121A.

◆ Included in Carburetor Gasket Set-Ref. No. 977 & 977A.

△ Included in Valve Gasket Set-Ref. No 1095.

Illustrations cover a range of engines. Parts shown without corresponding text are not used on this engine.

5547-12

Assemblies include all parts shown in frames.

06/22/2004