

Illustrated Parts List

Model Series

212900

TYPE NUMBERS
0015 through 0272.

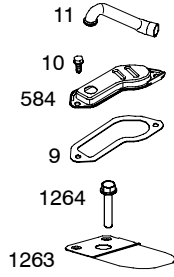
TABLE OF CONTENTS

Air Cleaner/Blower Housing	6
Alternator	9
Camshaft	3
Carburetor	5
Controls	8
Crankcase Cover/Sump	2
Crankshaft	3
Cylinder	2
Cylinder Head	4
Electric Starter	7
Exhaust System	6
Flywheel	7
Fuel System	8
Ignition	8
Kit/Gasket Sets - Carburetor	5
Kit/Gasket Sets - Engine	4
Kit/Gasket Sets - Valve	4
Lubrication	3
Piston	3
Rewind Starter	7
Fuel System	8

PRINTED IN U.S.A.



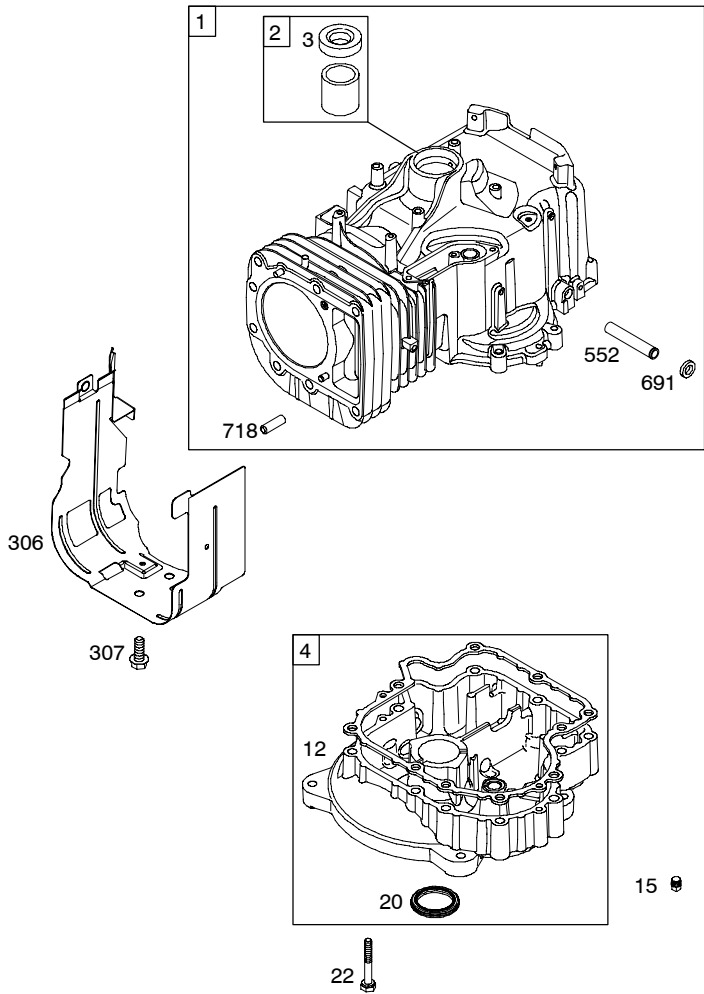
COPYRIGHT by BRIGGS & STRATTON CORPORATION
All rights reserved. No part of this material may be reproduced or transmitted,
in any form or by any means, electronic or mechanical, including photocopying,
recording or by any information storage and retrieval system, without permission
in writing from Briggs & Stratton Corporation.



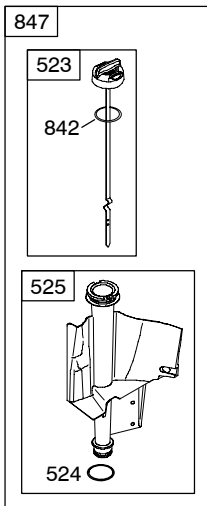
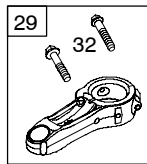
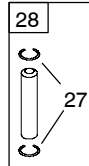
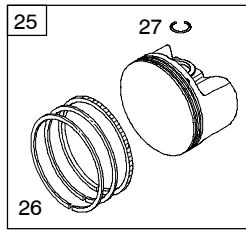
1019 LABEL KIT

1058 OWNER'S MANUAL

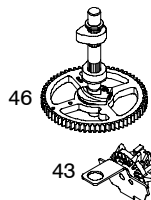
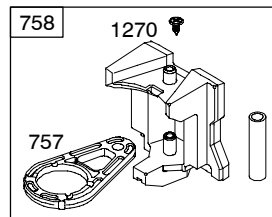
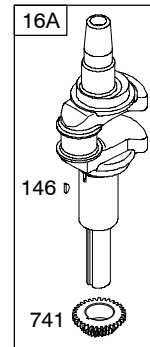
1330 REPAIR MANUAL

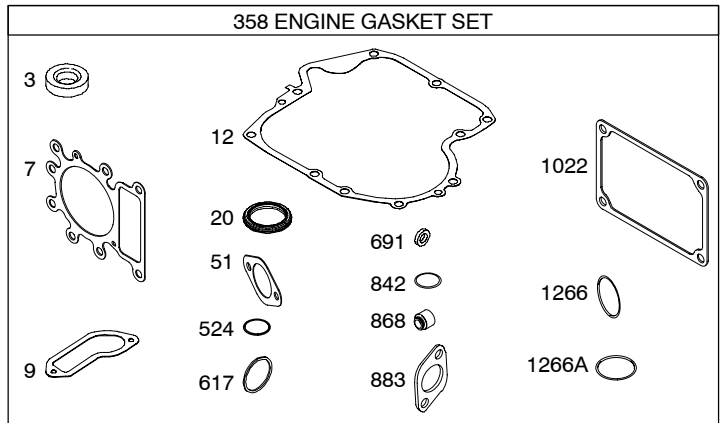
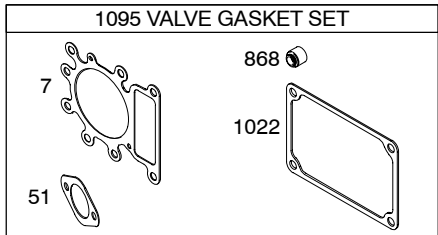
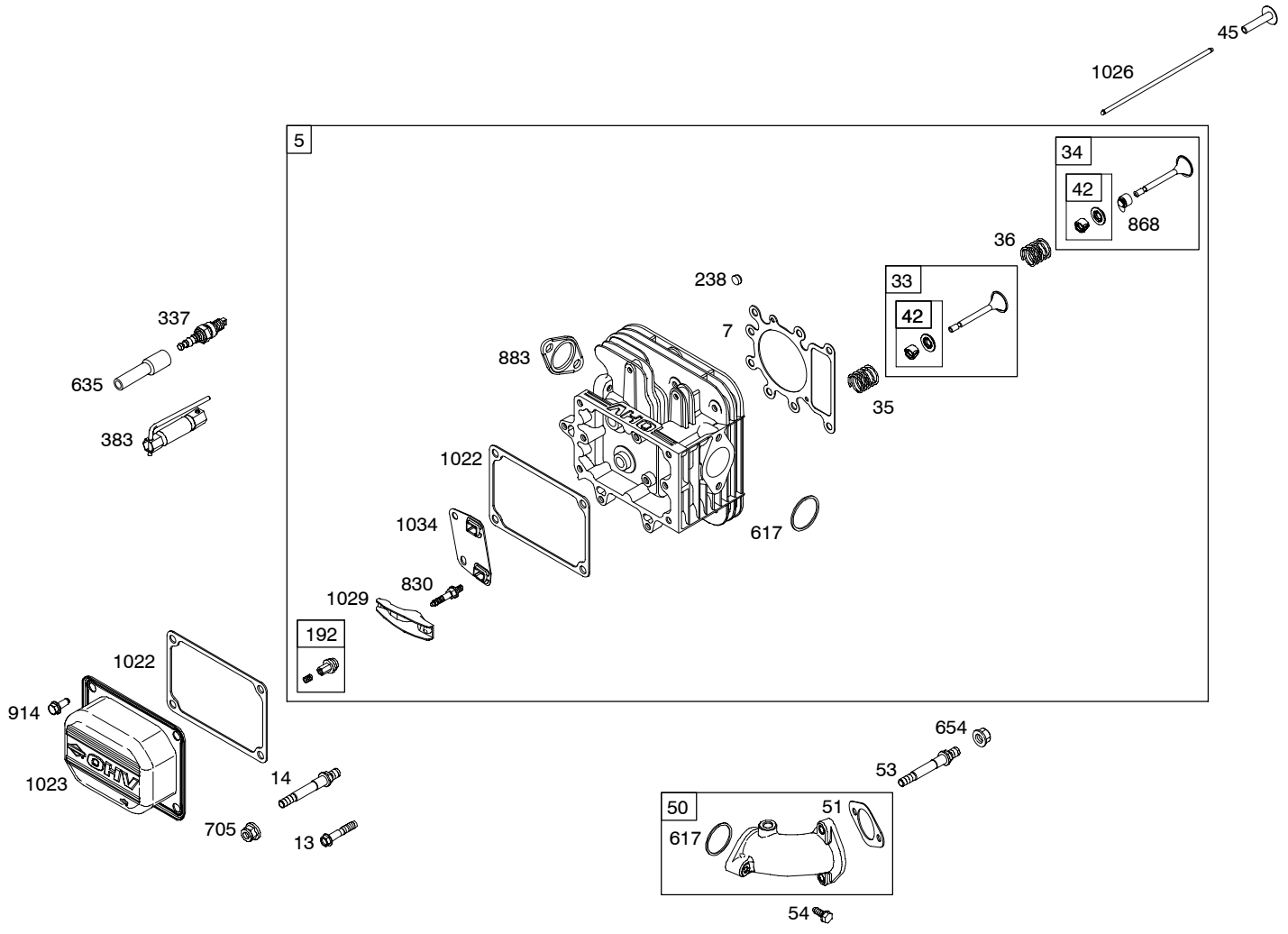


Illustrations cover a range of engines. Parts shown without corresponding text may not be used on your specific engine.
5704-2 Assemblies include all parts shown in frames. 09/22/2004

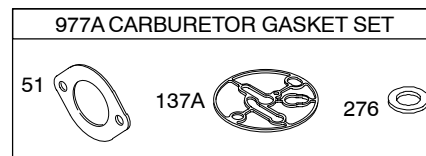
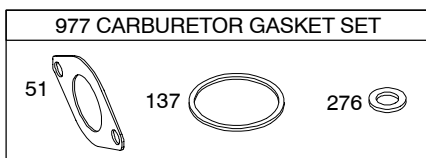
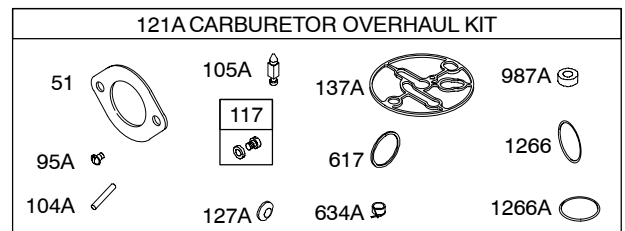
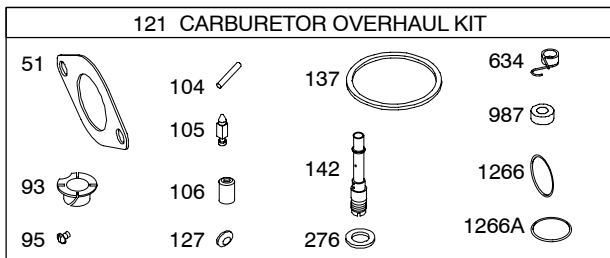
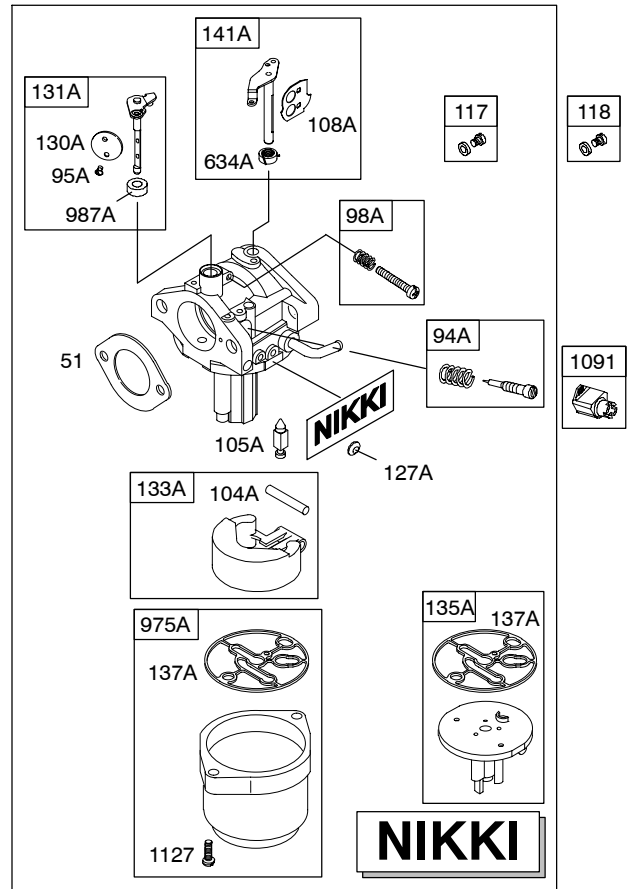
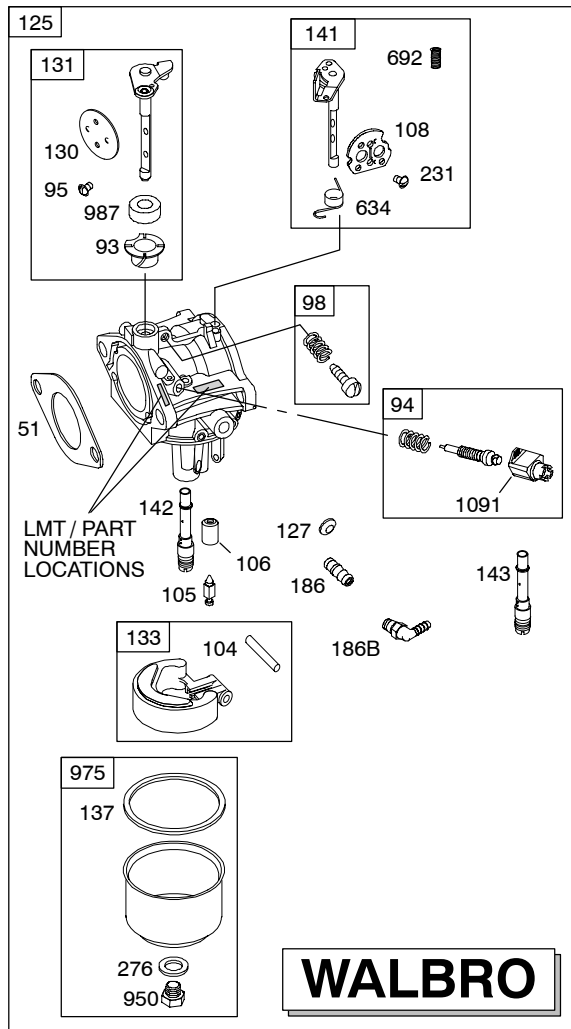


24

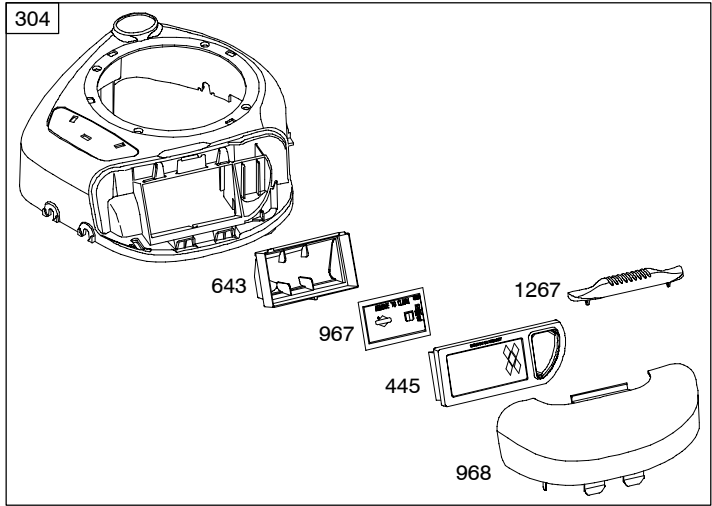
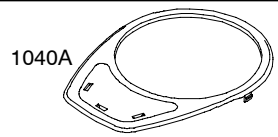




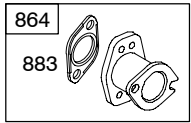
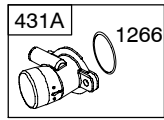
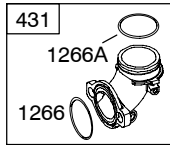
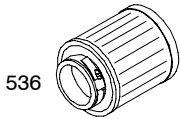
Illustrations cover a range of engines. Parts shown without corresponding text may not be used on your specific engine.



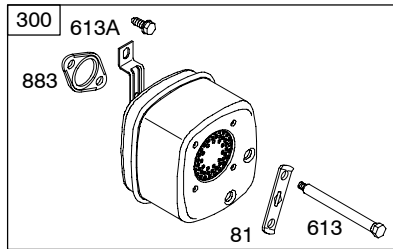
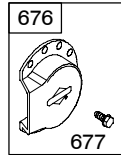
Illustrations cover a range of engines. Parts shown without corresponding text may not be used on your specific engine.



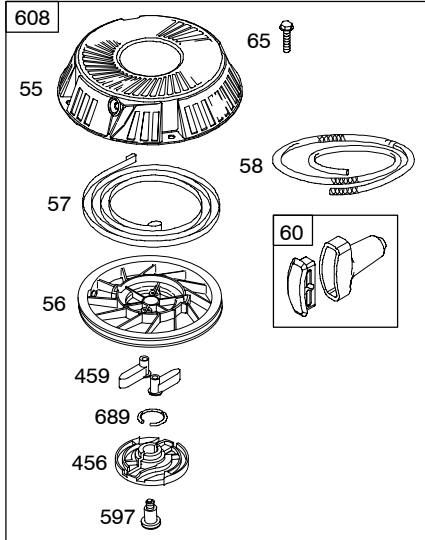
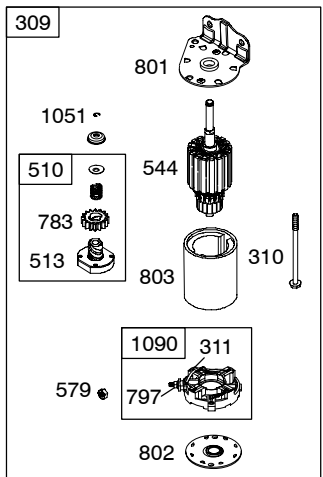
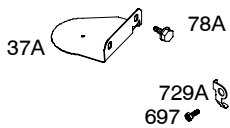
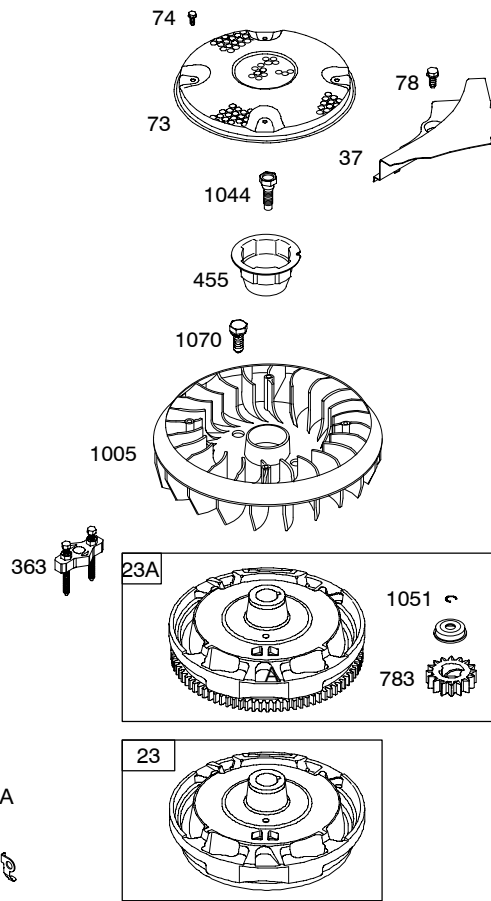
305A
305



823

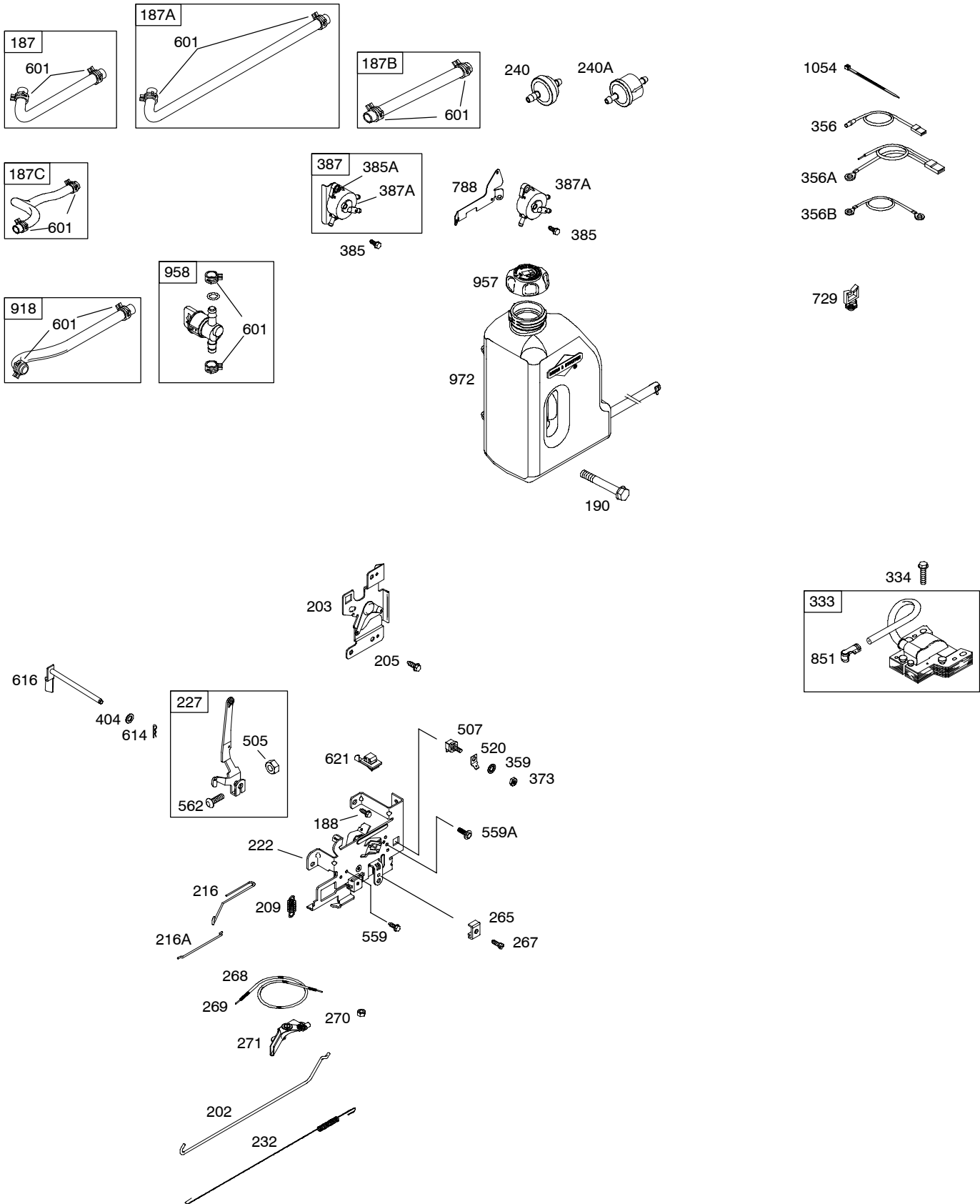


Illustrations cover a range of engines. Parts shown without corresponding text may not be used on your specific engine.
5704-6 Assemblies include all parts shown in frames.

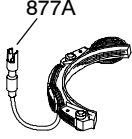

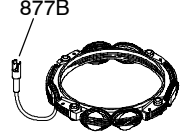
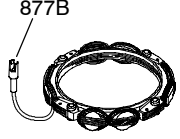
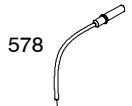

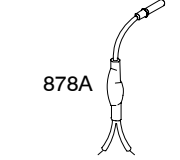
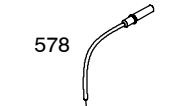





Illustrations cover a range of engines. Parts shown without corresponding text may not be used on your specific engine.
 5704-7 Assemblies include all parts shown in frames. 09/22/2004

212900



Illustrations cover a range of engines. Parts shown without corresponding text may not be used on your specific engine.

DC ONLY	DUAL CIRCUIT	TRI CIRCUIT	5 – 9 AMP
<p>474A</p>  <p>877A</p>	<p>474B</p>  <p>877</p>	<p>474C</p>  <p>877B</p>	<p>474C</p>  <p>877B</p>
<p>578</p>  <p>578</p>	<p>878</p>  <p>878</p>	<p>878A</p>  <p>878A</p>	<p>578</p>  <p>578</p>
<p>NOTE: All stators use a No. 1119 mounting screw. </p> <p>NOTE: The proper flywheel part number and/or the alternator magnet size will determine the alternator type or output. See repair instruction manual for additional information.</p>			<p>526A </p> <p>501A </p>

Illustrations cover a range of engines. Parts shown without corresponding text may not be used on your specific engine.

212900

REF. NO.	PART NO.	DESCRIPTION	REF. NO.	PART NO.	DESCRIPTION	REF. NO.	PART NO.	DESCRIPTION		
1	697377	Cylinder Assembly	25	698371	Piston Assembly (Standard)	37	697352	Guard-Flywheel		
2	399265	Kit-Bushing/Seal (Magneto Side)			----- Note -----	37A	697626	Guard-Flywheel (Electric Start)		
3	★391086	Seal-Oil (Magneto Side)			698372 Piston Assembly (.010" Oversize)			Used on Type No(s). 0015, 0020, 0117, 0122, 0125, 0127, 0129.		
4	697106	Sump-Engine			698373 Piston Assembly (.020" Oversize)	42	499586	Keeper-Valve		
5	697396	Head-Cylinder			698374 Piston Assembly (.030" Oversize)	43	691968	Slinger-Governor/Oil		
7	★△273280	Gasket-Cylinder Head	26	698375	Ring Set (Standard)	45	690564	Tappet-Valve		
9	697109	Gasket-Breather			----- Note -----	46	790392	Camshaft		
10	697157	Screw (Breather Assembly)			698376 Ring Set (.010" Oversize)	50	697361	Manifold-Intake		
11	697113	Tube-Breather			698377 Ring Set (.020" Oversize)	51★△◆692137	692137	Gasket-Intake		
12	697110	Gasket-Crankcase (.015" Thick)(Standard)			698378 Ring Set (.030" Oversize)	53	690227	Stud (Carburetor)		
13	690360	Screw (Cylinder Head)			27 698469	698469	Lock-Piston Pin (Pink)	54	691148	Screw (Intake Manifold)
14	790560	Stud (Cylinder Head)			28 697099	697099	Pin-Piston	55	695130	Housing-Rewind Starter
15	690946	Plug-Oil Drain (3/8" Standard)			29 697364	697364	Rod-Connecting (Standard)	56	695129	Pulley-Starter
16A	697390	Crankshaft			----- Note -----			57	695131	Spring-Rewind Starter
20	★690947	Seal-Oil (PTO Side)			697262	697262	Rod-Connecting (.020" Undersize)	58	695132	Rope-Starter
22	692125	Screw (Crankcase Cover/Sump)			32 692852	692852	Screw (Connecting Rod)	60	494212	Grip-Starter Rope
23	698281	Flywheel			33 695760	695760	Valve-Exhaust	65	697725	Screw (Rewind Starter)
		----- Note -----			34 695761	695761	Valve-Intake	73	697133	Screen-Rotating (Used After Code Date 03031600)
		698282 Flywheel Used on Type No(s). 0128.			35 691279	691279	Spring-Valve (Intake)			----- Note -----
23A	698283	Flywheel (Rewind Starter) Used on Type No(s). 0015, 0020, 0117, 0122, 0125, 0127, 0129.			36 691279	691279	Spring-Valve (Exhaust)			697384 Screen-Rotating (Used Before Code Date 03031700)
		----- Note -----						74	697897	Screw (Rotating Screen)
		698282 Flywheel Used on Type No(s). 0128.								
24	222698	Key-Flywheel								

★ Included in Engine Gasket Set-Ref. No.358.

● Included in Carburetor Overhaul Kit-Ref. No. 121.

◆ Included in Carburetor Gasket Set-Ref. No. 977.

△ Included in Valve Gasket Set-Ref. No 1095.

Illustrations cover a range of engines. Parts shown without corresponding text may not be used on your specific engine.

REF. NO.	PART NO.	DESCRIPTION	REF. NO.	PART NO.	DESCRIPTION	REF. NO.	PART NO.	DESCRIPTION
78	691003	Screw (Flywheel Guard)	108	691227	Valve-Choke Used on Type No(s). 0015, 0020, 0025, 0026, 0028, 0114, 0121, 0122, 0127, 0128, 0129, 0272.	130	790024	Valve-Throttle Used on Type No(s). 0015, 0025, 0026, 0117, 0128, 0272.
78A	690364	Screw (Flywheel Guard) (Electric Start) Used on Type No(s). 0015, 0020, 0117, 0122, 0125, 0127, 0129.			----- Note ----- 693924 Valve-Choke Used on Type No(s). 0117, 0124, 0125.			790024 Valve-Throttle (Used After Code Date 04083000) Used on Type No(s). 0125.
81	691178	Lock-Muffler Screw	108A	698773	Valve-Choke (Nikki)			690468 Valve-Throttle Used on Type No(s). 0015, 0025, 0026, 0114, 0121, 0124, 0125, 0272.
93	690602	Bushing-Throttle Shaft	117	699897	Jet-Main (Standard)			
94	498030	Kit-Idle Mixture (Walbro)	118	699898	Jet-Main (High Altitude)			
94A	695425	Kit-Idle Mixture (Nikki)	121	790031	Kit-Carburetor Overhaul (Walbro)	130A	698774	Valve-Throttle
95	691636	Screw (Walbro) (Throttle Valve)	121A	698787	Kit-Carburetor Overhaul (Nikki)	131	697542	Kit-Throttle Shaft Used on Type No(s). 0015, 0020, 0025, 0026, 0028, 0114, 0121, 0122, 0124, 0127, 0129.
95A	690718	Screw (Throttle Valve)(Nikki)	125	790019	Carburetor (Walbro) (Gravity Feed) Used on Type No(s). 0015, 0025, 0026, 0117, 0124, 0125, 0272.			----- Note ----- 697542 Kit-Throttle Shaft (Used Before Code Date 04082900) Used on Type No(s). 0125, 0272.
98	495800	Kit-Idle Speed (Walbro)			----- Note ----- 790020 Carburetor (Walbro)(Pump Feed) Used on Type No(s). 0020, 0028, 0114, 0121, 0122, 0127, 0128, 0129.			790175 Kit-Throttle Shaft (Used After Code Date 04083000) Used on Type No(s). 0026, 0117, 0125, 0128, 0272.
98A	695408	Kit-Idle Speed (Nikki)	127	694524	Plug-Welch (Walbro)			
104	690525	Pin-Float Hinge (Walbro)	127A	690727	Plug-Welch (Nikki)	131A	698776	Kit-Throttle Shaft (Nikki)
104A	694918	Pin-Float Hinge (Nikki)						
105	231855	Valve-Float Needle (Walbro)						
105A	696136	Valve-Float Needle (Nikki)						
106	690577	Seat-Inlet (Gravity Feed) Used on Type No(s). 0015, 0025, 0026, 0117, 0124, 0125, 0272.						
		----- Note ----- 691780 Seat-Inlet (Pump Feed) Used on Type No(s). 0020, 0028, 0114, 0121, 0122, 0128.						

★ Included in Engine Gasket Set-Ref. No.358.

● Included in Carburetor Overhaul Kit-Ref. No. 121.

◆ Included in Carburetor Gasket Set-Ref. No. 977.

△ Included in Valve Gasket Set-Ref. No 1095.

Illustrations cover a range of engines. Parts shown without corresponding text may not be used on your specific engine.

212900

REF. NO.	PART NO.	DESCRIPTION	REF. NO.	PART NO.	DESCRIPTION	REF. NO.	PART NO.	DESCRIPTION
133	494381	Float-Carburetor	143	●790028	Nozzle-Carburetor (High Altitude)(Walbro) Used on Type No(s). 0026, 0117, 0128.	187	699331	Line-Fuel (Formed)(Cut To Required Length) Used on Type No(s). 0015, 0020, 0025, 0026, 0028, 0114, 0117, 0121, 0122, 0127, 0128, 0129, 0272.
133A	694914	Float-Carburetor (Nikki)			----- Note ----- 697492 Nozzle-Carburetor (High Altitude)(Walbro) Used on Type No(s). 0015, 0025, 0026, 0114, 0121, 0124, 0125, 0272.	187A	699332	Line-Fuel (Formed)(Cut To Required Length) Used on Type No(s). 0020, 0028.
135A	790030	Tube-Fuel Transfer (Nikki)			790028 Nozzle-Carburetor (High Altitude)(Walbro) (Used After Code Date 04083000) Used on Type No(s). 0125, 0272.	187B	691050	Line-Fuel (Cut To Required Length) Used on Type No(s). 0114, 0121, 0122, 0124, 0125, 0127, 0128.
		----- Note ----- 698780 Tube-Fuel Transfer (Nikki) Used on Type No(s). 0015, 0025.			697492 Nozzle-Carburetor (High Altitude)(Walbro) (Used Before Code Date 04082900) Used on Type No(s). 0015, 0025, 0026, 0114, 0121, 0124, 0125, 0272.	187C	697907	Line-Fuel (Formed)(8 Inches Long) Used on Type No(s). 0114, 0121, 0122, 0128.
137	●281165	Gasket-Float Bowl	146	691639	Key-Timing	188	691693	Screw (Control Bracket)
137A	◆698781	Gasket-Float Bowl (Nikki)	186	698174	Connector-Hose (Straight)	190	790931	Screw (Fuel Tank)
141	790905	Kit-Choke Shaft Used on Type No(s). 0117, 0124, 0125.	186B	692317	Connector-Hose (90 Degree)	192	691986	Adjuster-Rocker Arm
		----- Note ----- 699027 Kit-Choke Shaft						
141A	698778	Kit-Choke Shaft (Nikki)						
142	★△◆697491	Nozzle-Carburetor (Standard) Used on Type No(s). 0015, 0025, 0026, 0114, 0121, 0124.						
		----- Note ----- 790025 Nozzle-Carburetor (Standard) Used on Type No(s). 0026, 0117, 0128.						
		697491 Nozzle-Carburetor (Standard) (Used Before Code Date 04082900) Used on Type No(s). 0125, 0272.						
		790025 Nozzle-Carburetor (Standard) (Used After Code Date 04083000) Used on Type No(s). 0125, 0272.						

★ Included in Engine Gasket Set-Ref. No.358.

● Included in Carburetor Overhaul Kit-Ref. No. 121.

◆ Included in Carburetor Gasket Set-Ref. No. 977.

△ Included in Valve Gasket Set-Ref. No 1095.

Illustrations cover a range of engines. Parts shown without corresponding text may not be used on your specific engine.

REF. NO.	PART NO.	DESCRIPTION	REF. NO.	PART NO.	DESCRIPTION	REF. NO.	PART NO.	DESCRIPTION
202	691841	Link-Mechanical Governor	265	691024	Clamp-Casing	310	690323	Screw (Starter Motor)
203	691381	Crank-Bell Used on Type No(s). 0020, 0028, 0124, 0125.	267	690804	Screw (Casing Clamp)	311	497608	Brush Set
205	691693	Screw (Bell Crank)	268	691025	Casing-Control Wire (Cut To Required Length)	333	492341	Armature-Magneto
209	691798	Spring-Governor (Brown) Used on Type No(s). 0015, 0020, 0025, 0026, 0028, 0114, 0117, 0121, 0122, 0127, 0128, 0129.	269	691026	Wire-Control (Cut To Required Length)	334	691061	Screw (Magneto Armature)
		----- Note -----	270	691027	Nut (Control Wire Casing)	337	491055	Plug-Spark
		690480 Spring-Governor (Red) Used on Type No(s). 0124, 0125, 0272.	271	691028	Lever-Control	356	697397	Wire-Stop (1 Wire, 20" Long) (Snap Connect Insulated Female Blade Terminal, And Snap Connect Insulated Pin Socket Used on Type No(s). 0015, 0020, 0025, 0026, 0028, 0129, 0272.
216	691840	Link-Choke	276 ♦	692255	Washer-Sealing	356A	398808	Wire-Stop (2 Wires, 15" And 15-11/16" Long)(Snap Connect Insulated Female Blade Terminal, Ring Terminal, And Bare Wire Ends) Used on Type No(s). 0114, 0117, 0121, 0122, 0124, 0125, 0127, 0128.
216A	691281	Link-Choke Used on Type No(s). 0020, 0028, 0124, 0125.	300	697048	Muffler (Lo Tone) Used on Type No(s). 0015, 0020, 0025, 0026, 0028, 0114, 0117, 0121, 0122, 0124, 0125, 0127, 0128, 0129.			
222	694042	Bracket-Control	304	699085	Housing-Blower (Red) Used on Type No(s). 0015, 0020, 0025, 0026, 0028, 0114, 0117, 0121, 0122, 0124, 0125, 0127, 0128, 0129.			
227	691374	Lever-Governor Control	305	697102	Screw (Blower Housing)	356B	697089	Wire-Stop Used on Type No(s). 0128.
231	691636	Screw (Choke Valve)	305A	697103	Screw (Blower Housing)	358	697151	Gasket Set-Engine
232	691842	Spring-Governor Link	306	697359	Shield-Cylinder	359	691077	Washer (Ground Terminal) Used on Type No(s). 0114, 0117, 0121, 0122, 0124, 0125, 0128.
238	691843	Cap-Valve	307	691003	Screw (Cylinder Shield)	363	19203	Puller-Flywheel
240	298090	Filter-Fuel (Red, 150 Microns) Used on Type No(s). 0272.	309	693551	Motor-Starter Used on Type No(s). 0025, 0026, 0028, 0114, 0121, 0124, 0128, 0272.			
		----- Note -----						
240A	691035	Filter-Fuel (Clear, 40 Microns) Used on Type No(s). 0020, 0028, 0114, 0121, 0122, 0127, 0128, 0129.						

★ Included in Engine Gasket Set-Ref. No.358.

● Included in Carburetor Overhaul Kit-Ref. No. 121.

◆ Included in Carburetor Gasket Set-Ref. No. 977.

△ Included in Valve Gasket Set-Ref. No 1095.

Illustrations cover a range of engines. Parts shown without corresponding text may not be used on your specific engine.

212900

REF. NO.	PART NO.	DESCRIPTION	REF. NO.	PART NO.	DESCRIPTION	REF. NO.	PART NO.	DESCRIPTION
373	691612	Nut (Ground Terminal) Used on Type No(s). 0114, 0117, 0121, 0122, 0124, 0125, 0128.	474A	696578	Alternator (DC Only) Used on Type No(s). 0124, 0272.	526A	697088	Screw (Regulator)
383	89838	Wrench-Spark Plug	474B	696459	Alternator (Dual Circuit) Used on Type No(s). 0025, 0026, 0028, 0114.	536	698973	Cleaner-Air Used on Type No(s). 0272.
385	694476	Screw (Fuel Pump)	474C	696457	Alternator (Tri Circuit) Used on Type No(s). 0121, 0128.	544	692034	Armature-Starter
385A	690297	Screw (Fuel Pump) Used on Type No(s). 0020, 0028.	501A	691188	Regulator Used on Type No(s). 0128.	552	697144	Bushing-Governor Crank
387	697090	Pump-Fuel (Includes Mounting Bracket) Used on Type No(s). 0114, 0121, 0122, 0127, 0128, 0129.	505	691251	Nut (Governor Control Lever)	559	697561	Screw (Remote Choke Stop)(Assemble Remote/Manual Choke Stop Screw in "R" Hole) Used on Type No(s). 0117, 0124, 0125.
387A	808656	Pump-Fuel Used on Type No(s). 0020, 0028.	507	691972	Insulator Used on Type No(s). 0114, 0117, 0121, 0122, 0124, 0125, 0128.	559A	693675	Screw (Remote Choke Stop)(Assemble Speed Limiter Screw in Number "2" Hole) Used on Type No(s). 0117.
404	691691	Washer (Governor Crank)	510	693699	Drive-Starter	562	691119	Bolt (Governor Control Lever)
431	697122	Elbow-Intake	513	692024	Clutch-Drive	578	692306	Wire Assembly (1 Wire, 48-1/2" Long)(Snap Connect Female Pin Socket, And Bare Wire End)
431A	698937	Elbow-Intake Used on Type No(s). 0272.	520	691084	Terminal-Ground Used on Type No(s). 0114, 0117, 0121, 0122, 0124, 0125, 0128.	579	691029	Nut (Starter Cable)
445	698413	Filter-Air Cleaner Cartridge (Non Washable)	523	699908	Dipstick	584	697112	Cover-Breather Passage
455	695113	Cup-Flywheel Used on Type No(s). 0015, 0020, 0025, 0028, 0114, 0117, 0121, 0122, 0124, 0125, 0128.	524	★691032	Seal-Dipstick Tube	597	691696	Screw (Pawl Friction Plate)
456	695128	Plate-Pawl Friction	525	697184	Tube-Dipstick			
459	281505	Pawl-Ratchet			----- Note ----- 697085 Tube-Dipstick (Used On Engines With Fuel Pump) Used on Type No(s). 0020, 0028, 0114, 0121, 0122, 0128.			

★ Included in Engine Gasket Set-Ref. No.358.

● Included in Carburetor Overhaul Kit-Ref. No. 121.

◆ Included in Carburetor Gasket Set-Ref. No. 977.

△ Included in Valve Gasket Set-Ref. No 1095.

Illustrations cover a range of engines. Parts shown without corresponding text may not be used on your specific engine.

REF. NO.	PART NO.	DESCRIPTION	REF. NO.	PART NO.	DESCRIPTION	REF. NO.	PART NO.	DESCRIPTION
601	95162	Clamp-Hose (Zinc Plate)(Spring Wire) ----- Note ----- 691038 Clamp-Hose (Black)(Spring Steel) Used on Type No(s). 0114, 0121, 0122, 0127, 0128, 0129.	634	●690802	Spring/Seal Assembly Used on Type No(s). 0015, 0025, 0026, 0124, 0125, 0128, 0272. ----- Note ----- 691326 Spring/Seal Assembly Used on Type No(s). 0117, 0124, 0125.	741	697128	Gear-Timing
608	695058	Starter-Rewind Used on Type No(s). 0015, 0020, 0025, 0028, 0114, 0117, 0121, 0122, 0124, 0125, 0127, 0128, 0129.	634A	●698779	Spring/Seal Assembly	757	697607	Link-Counterweight
613	691416	Screw (Muffler)	635	691909	Boot-Spark Plug	758	697391	Counterweight
613A	691678	Screw (Muffler)	643	697155	Retainer-Air Filter	783	693713	Gear-Pinion
614	691620	Pin-Cotter	654	690958	Nut (Carburetor)	788	699347	Bracket-Fuel Pump Used on Type No(s). 0020, 0028.
616	692012	Crank-Governor	676	393761	Deflector-Muffler (Side Out) Used on Type No(s). 0015, 0020, 0025, 0026, 0028, 0114, 0117, 0121, 0122, 0124, 0125, 0127, 0128, 0129.	797	693167	Nut (Brush Retainer)
617	★692138	Seal-O Ring (Intake Manifold)	677	690661	Screw (Muffler Deflector)	801	691283	Cap-Drive
621	692310	Switch-Stop Used on Type No(s). 0114, 0117, 0121, 0122, 0128.	689	691855	Spring-Friction	802	691286	Cap-End
634	690801	Spring/Seal Assembly Used on Type No(s). 0020, 0028, 0114, 0121, 0122. ----- Note ----- 691326 Spring/Seal Assembly Used on Type No(s). 0117, 0124, 0125.	691	★692407	Seal-Governor Shaft	803	693757	Housing-Starter
			692	691301	Spring-Detent	823	698941	Screw (Muffler Adapter)
			697	690372	Screw (Drive Cap)	830	691095	Stud-Rocker Arm
			705	790561	Nut (Fuel Tank)	842	★691031	Seal-O Ring (Dipstick Tube)
			718	690959	Pin-Locating	847	790442	Dipstick/Tube Assembly ----- Note ----- 790443 Dipstick/Tube Assembly (Used On Engines With Fuel Pump) Used on Type No(s). 0020, 0028, 0114, 0117, 0121, 0122, 0128.
			729	691335	Clip-Wire (Wire Retainer)	851	692424	Terminal-Spark Plug
			729A	691224	Clip-Wire (Starter Motor)	864	697346	Adapter-Muffler Used on Type No(s). 0015, 0020, 0025, 0026, 0028, 0114, 0117, 0121, 0122, 0124, 0125, 0127, 0128, 0129.

★ Included in Engine Gasket Set-Ref. No.358.

● Included in Carburetor Overhaul Kit-Ref. No. 121.

◆ Included in Carburetor Gasket Set-Ref. No. 977.

△ Included in Valve Gasket Set-Ref. No 1095.

Illustrations cover a range of engines. Parts shown without corresponding text may not be used on your specific engine.

212900

REF. NO.	PART NO.	DESCRIPTION	REF. NO.	PART NO.	DESCRIPTION	REF. NO.	PART NO.	DESCRIPTION
868	★△690968	Seal-Valve	918	697091	Hose-Vacuum (Molded) Used on Type No(s). 0114, 0121, 0122, 0127, 0128, 0129.	987	●691326	Seal-Throttle Shaft ----- Note -----
877	393456	Wire/Connector-Alternator (Dual Circuit) Used on Type No(s). 0025, 0026, 0028, 0114.	950	691657	Screw-Float Bowl (Bottom Of Bowl)			690801 Seal-Throttle Shaft Used on Type No(s). 0117, 0124, 0125.
877A	393814	Wire/Connector-Alternator (DC Only) Used on Type No(s). 0124, 0272.	957	694261	Cap-Fuel Tank (Plastic) Used on Type No(s). 0020, 0028, 0114, 0121, 0122, 0128.	987A	698777	Seal-Throttle Shaft (Nikki)
877B	393537	Wire/Connector-Alternator (Tri Circuit) Used on Type No(s). 0121.	958	698183	Valve-Fuel Shut Off (Plastic) Used on Type No(s). 0114, 0121, 0122, 0127.	1005	699044	Fan-Flywheel (Used After Code Date 03031600) ----- Note -----
878	691237	Harness-Alternator (2 Wires, 48-1/2", And 48-1/2" Long)(Snap Connect Female Pin Terminal,And 2 Bare Wire Ends) Used on Type No(s). 0025, 0026, 0028, 0114.	967	697292	Filter-Pre Cleaner			697360 Fan-Flywheel (Used Before Code Date 03031700)
878A	691955	Harness-Alternator (3 Wires, 5", 48", And 48" Long)(Snap Connect Pin Socket, 2 Bare WireEnds, And 2 Insulated Rectifier Used on Type No(s). 0121.	968	697422	Cover-Air Cleaner (Red) Used on Type No(s). 0015, 0020, 0025, 0026, 0028, 0114, 0117, 0121, 0122, 0124, 0125, 0127, 0128, 0129.	1019	699196	Kit-Label ----- Note -----
883	★692236	Gasket-Exhaust	972	699710	Tank-Fuel (Plastic)	1022	★△272475	Gasket-Rocker Cover
914	691108	Screw (Rocker Cover)	975	495933	Bowl-Float (Walbro)	1023	692492	Cover-Rocker
			975A	698783	Bowl-Float (Nikki)	1026	697395	Rod-Push (Exhaust) ----- Note -----
			977	690192	Gasket Set-Carburetor (Walbro)			697394 Rod-Push (Intake)
			977A	790032	Gasket Set-Carburetor (Nikki)	1029	691751	Arm-Rocker
						1034	690822	Guide-Push Rod
						1036	790465	Label-Emissions (Used After Code Date 04063000) ----- Note -----
								790186 Label-Emissions (Used After Code Date 03123100 and Before Code Date 04070100).
								697221 Label-Emissions (Used Before Code Date 04010100)

★ Included in Engine Gasket Set-Ref. No.358.

● Included in Carburetor Overhaul Kit-Ref. No. 121.

◆ Included in Carburetor Gasket Set-Ref. No. 977.

△ Included in Valve Gasket Set-Ref. No 1095.

Illustrations cover a range of engines. Parts shown without corresponding text may not be used on your specific engine.

212900

REF. NO.	PART NO.	DESCRIPTION	REF. NO.	PART NO.	DESCRIPTION	REF. NO.	PART NO.	DESCRIPTION
1040A	697381	Plate-Trim (Exhaust) Used on Type No(s). 0026.	1127	695407	Screw (Float Bowl)(Nikki)	1267	697424	Latch-Blower Housing (Red)
1044	698139	Screw (Flywheel)	1263	697124	Reed-Breather			Used on Type No(s). 0015, 0020, 0025, 0026, 0028, 0114, 0117, 0121, 0122, 0124, 0125, 0127, 0128, 0129.
1051	691265	Ring-Retaining	1264	697104	Screw (Breather Reed)			
1054	280275	Tie-Cable	1266	●691917	Seal-O Ring (Intake Elbow)	1270	697156	Plug-AVS Counterweight
1058	275935	Operator's Manual	1266A	●697123	Seal-O Ring (Intake Elbow)	1330	272147	Repair Manual
1070	690372	Screw (Flywheel Fan)						
1090	691293	Retainer-Brush						
1091	691333	Cap-Limiter						
1095	691581	Gasket Set-Valve						
1119	691183	Screw (Alternator)						

★ Included in Engine Gasket Set-Ref. No.358.

● Included in Carburetor Overhaul Kit-Ref. No. 121.

◆ Included in Carburetor Gasket Set-Ref. No. 977.

△ Included in Valve Gasket Set-Ref. No 1095.

Illustrations cover a range of engines. Parts shown without corresponding text may not be used on your specific engine.

5704-17

Assemblies include all parts shown in frames.

09/22/2004