

Illustrated Parts List

Model Series

216800

TYPE NUMBER
0108.

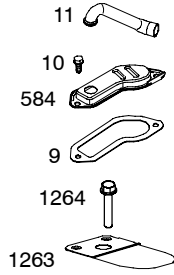
TABLE OF CONTENTS

| | |
|------------------------------------|---|
| Air Cleaner/Blower Housing | 6 |
| Camshaft | 3 |
| Carburetor | 5 |
| Controls | 8 |
| Crankcase Sump | 2 |
| Crankshaft | 3 |
| Cylinder | 2 |
| Cylinder Head | 4 |
| Exhaust System | 6 |
| Flywheel | 7 |
| Fuel System | 8 |
| Ignition | 8 |
| Kit/Gasket Sets – Carburetor | 5 |
| Kit/Gasket Sets – Engine | 4 |
| Kit/Gasket Sets – Valve | 4 |
| Lubrication | 3 |
| Piston | 3 |
| Rewind Starter | 7 |



PRINTED IN U.S.A.

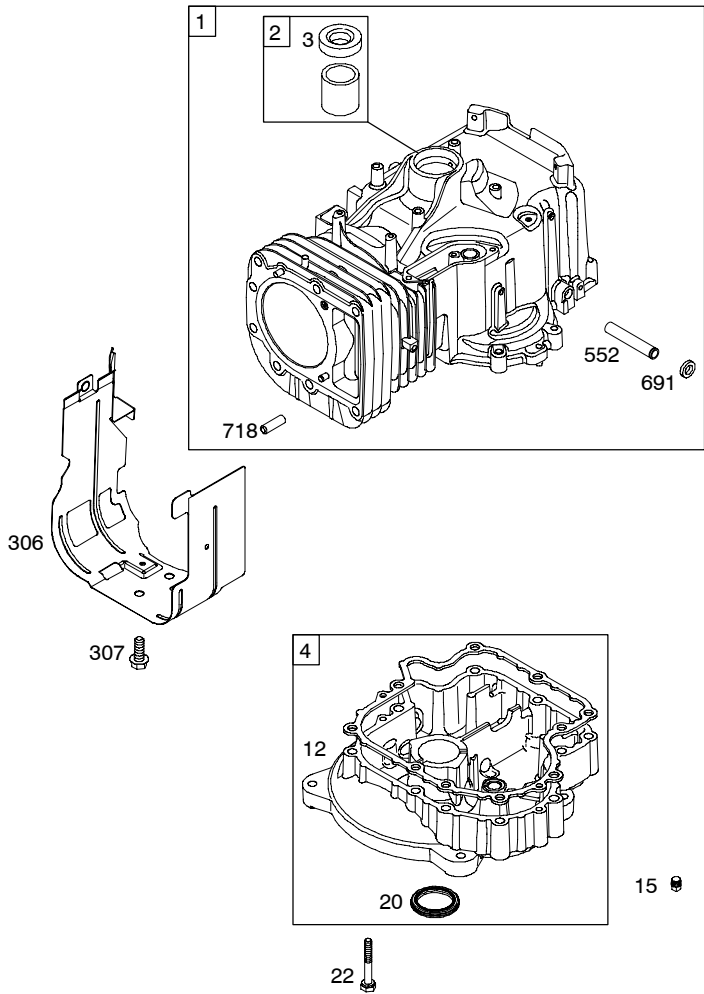
COPYRIGHT by BRIGGS & STRATTON CORPORATION
All rights reserved. No part of this material may be reproduced or transmitted, in any form or by any means, electronic or mechanical, including photocopying, recording or by any information storage and retrieval system, without permission in writing from Briggs & Stratton Corporation.



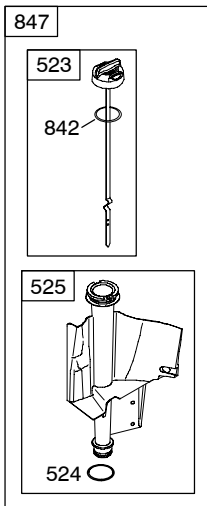
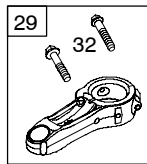
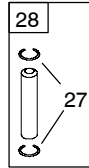
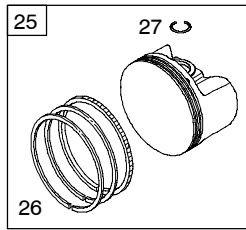
1019 LABEL KIT

1058 OWNER'S MANUAL

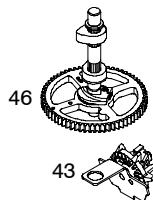
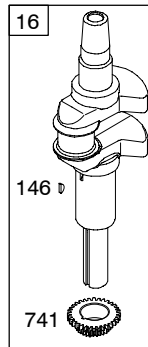
1330 REPAIR MANUAL



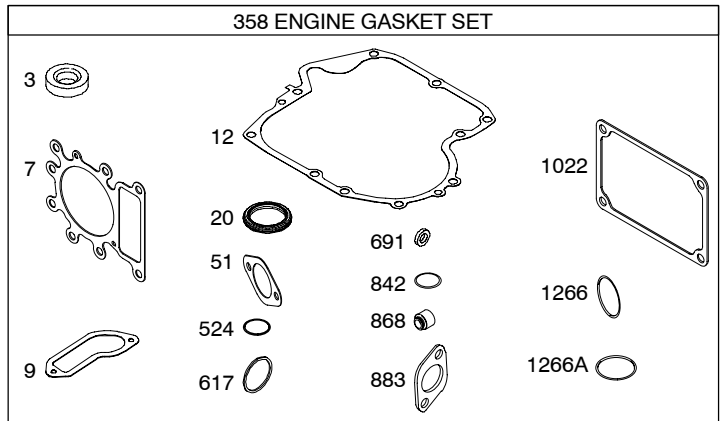
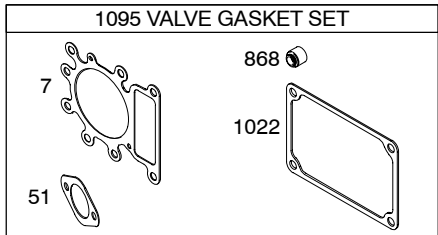
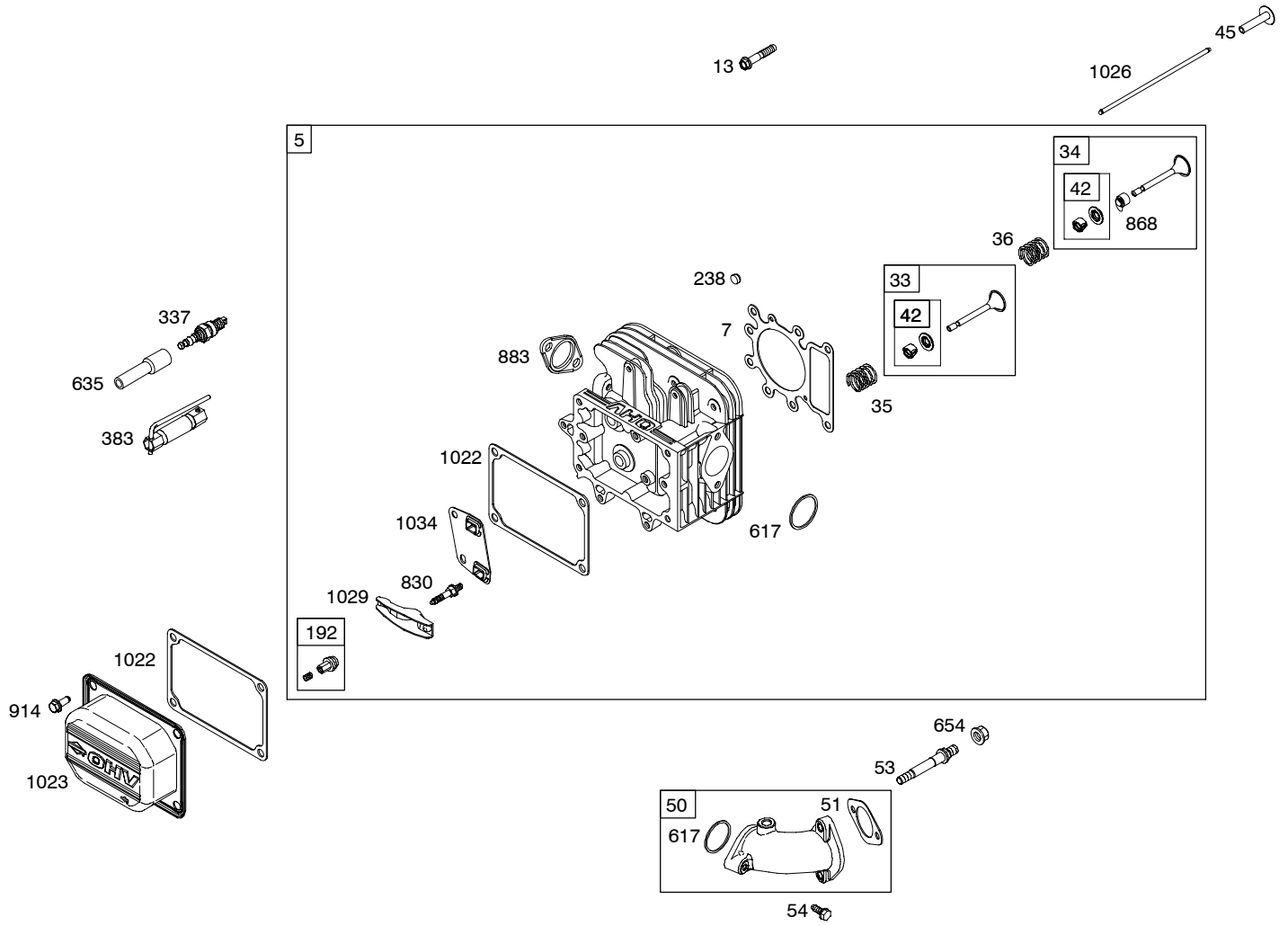
Illustrations cover a range of engines. Parts shown without corresponding text may not be used on your specific engine.



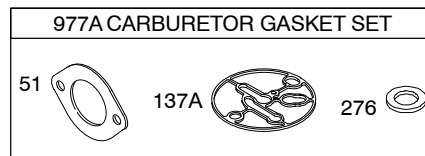
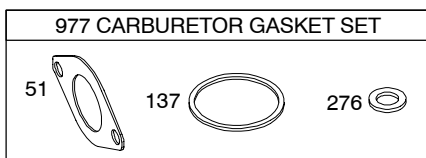
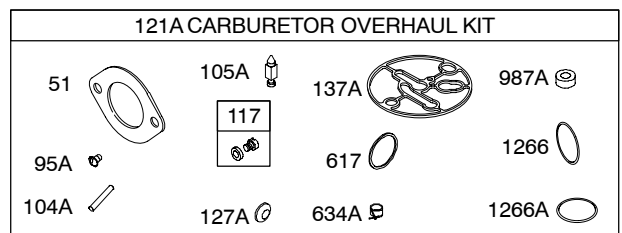
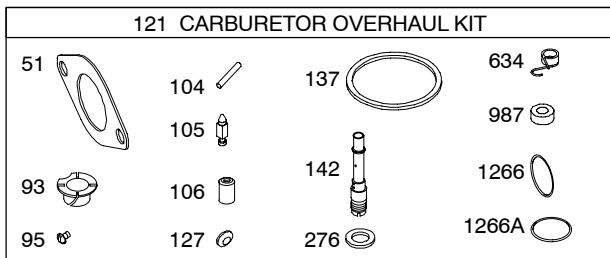
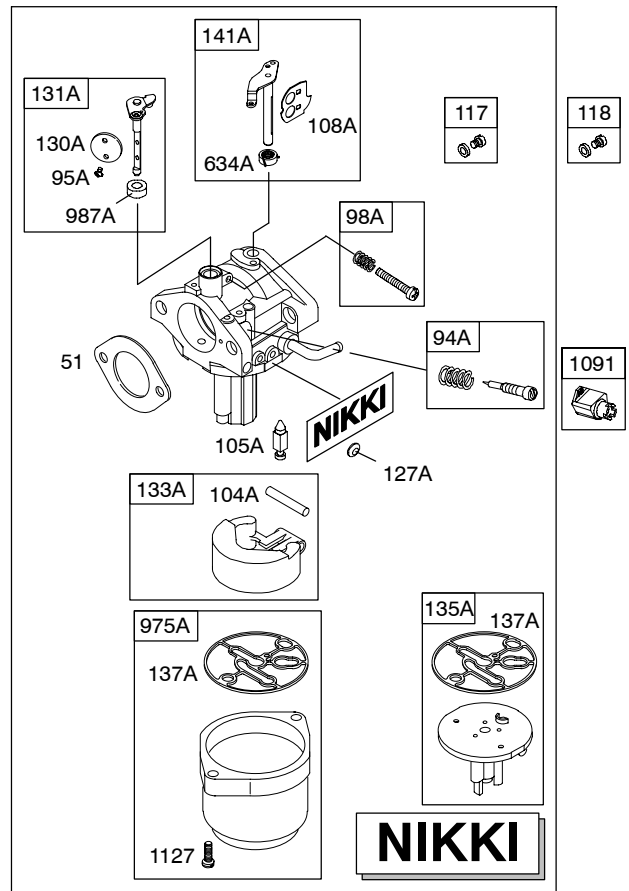
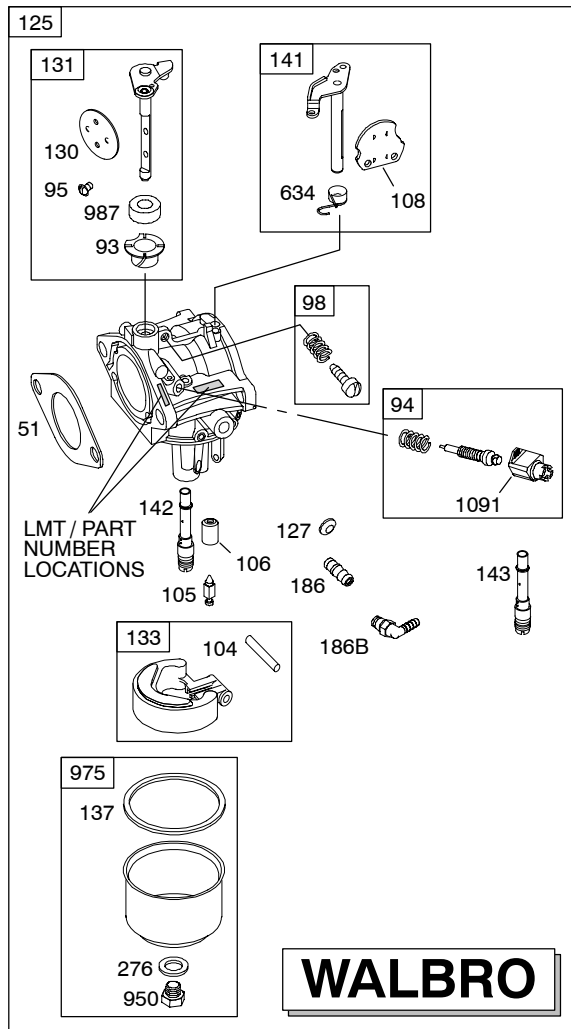
24



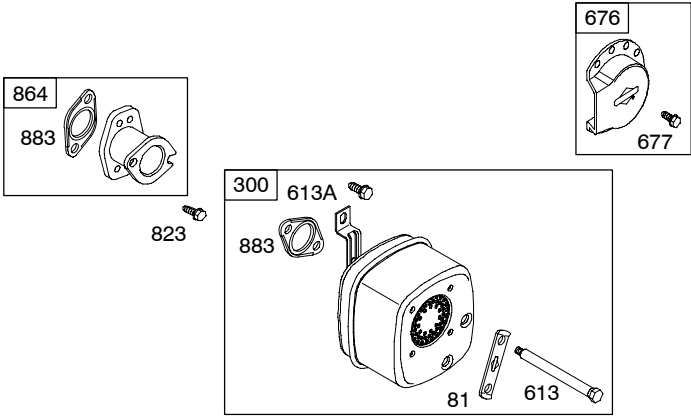
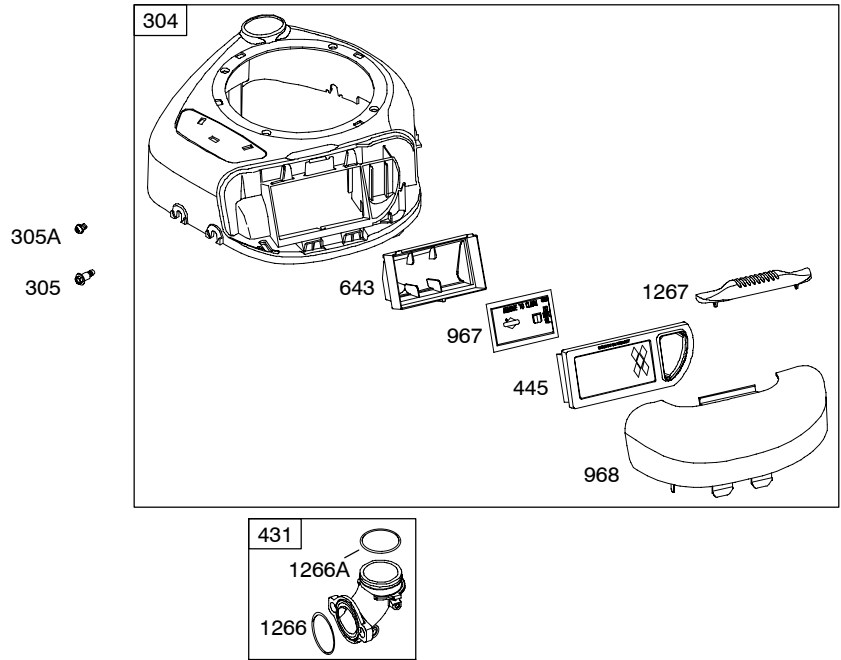
Illustrations cover a range of engines. Parts shown without corresponding text may not be used on your specific engine.
 3270-3 Assemblies include all parts shown in frames.



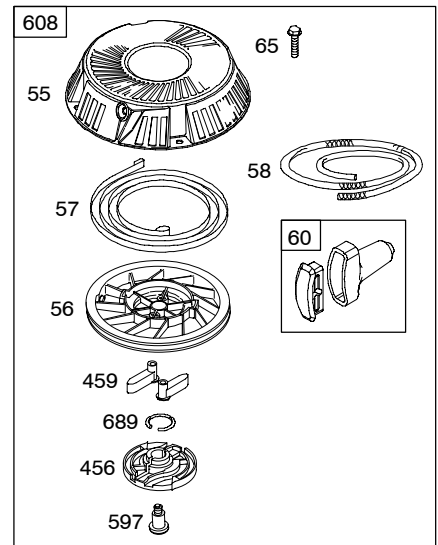
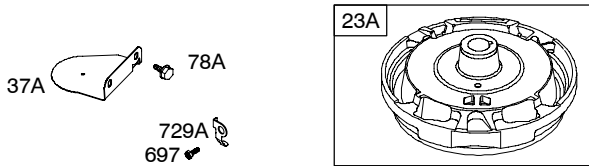
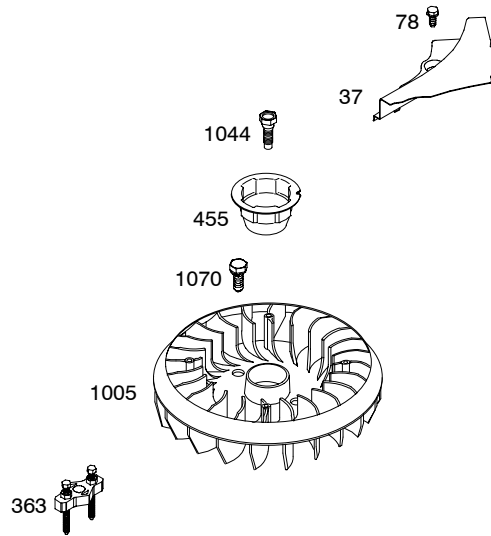
Illustrations cover a range of engines. Parts shown without corresponding text may not be used on your specific engine.



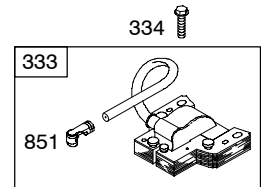
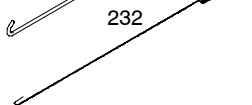
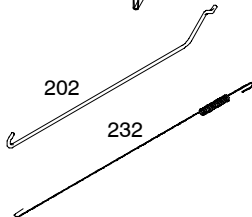
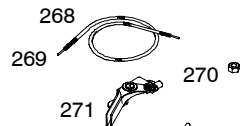
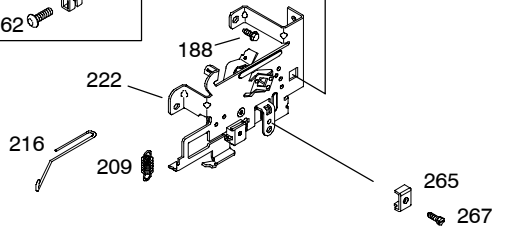
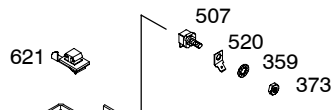
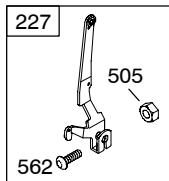
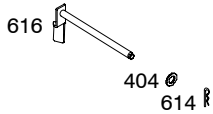
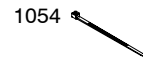
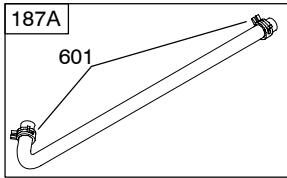
Illustrations cover a range of engines. Parts shown without corresponding text may not be used on your specific engine.



Illustrations cover a range of engines. Parts shown without corresponding text may not be used on your specific engine.



Illustrations cover a range of engines. Parts shown without corresponding text may not be used on your specific engine.



Illustrations cover a range of engines. Parts shown without corresponding text may not be used on your specific engine.
3270-8 Assemblies include all parts shown in frames.

| REF. NO. | PART NO. | DESCRIPTION | REF. NO. | PART NO. | DESCRIPTION | REF. NO. | PART NO. | DESCRIPTION |
|----------|----------|---|--------------|---------------|--|----------|----------|---|
| 1 | 697377 | Cylinder Assembly | 26 | 698375 | Ring Set (Standard) | 54 | 691148 | Screw (Intake Manifold) |
| 2 | 399265 | Kit-Bushing/Seal (Magneto Side) | | | ----- Note ----- | 55 | 695130 | Housing-Rewind Starter |
| 3 | ★391086 | Seal-Oil (Magneto Side) | | | 698376 Ring Set (.010" Oversize) | 56 | 695129 | Pulley-Starter |
| 4 | 697106 | Sump-Engine | | | 698377 Ring Set (.020" Oversize) | 57 | 695131 | Spring-Rewind Starter |
| 5 | 697396 | Head-Cylinder | | | 698378 Ring Set (.030" Oversize) | 58 | 695132 | Rope-Starter |
| 7 | ★△273280 | Gasket-Cylinder Head | | | | 60 | 494212 | Grip-Starter Rope |
| 9 | 697109 | Gasket-Breather | | | | 65 | 697725 | Screw (Rewind Starter) |
| 10 | 697157 | Screw (Breather Assembly) | 27 | 698469 | Lock-Piston Pin (Pink) | 78 | 691003 | Screw (Flywheel Guard) |
| 11 | 697113 | Tube-Breather | 28 | 697099 | Pin-Piston | | | Used on Type No(s). 0108. |
| 12 | ★697110 | Gasket-Crankcase (.015" Thick) (Standard) | 29 | 697364 | Rod-Connecting (Standard) | | | ----- Note ----- |
| 13 | 690360 | Screw (Cylinder Head) | | | 697262 Rod-Connecting (.020" Undersize) | 78A | 690364 | Screw (Flywheel Guard) (Electric Start) Used on Type No(s). 0108. |
| 15 | 690946 | Plug-Oil Drain (3/8" Standard) | 32 | 692852 | Screw (Connecting Rod) | 81 | 691178 | Lock-Muffler Screw |
| 16 | 698382 | Crankshaft | 33 | 695760 | Valve-Exhaust | 93 | ●690602 | Bushing-Throttle Shaft |
| 20 | ★690947 | Seal-Oil (PTO Side) | 34 | 695761 | Valve-Intake | 94 | 498030 | Kit-Idle Mixture (Walbro) |
| 22 | 692125 | Screw (Crankcase Cover/Sump) | 35 | 691279 | Spring-Valve (Intake) | 94A | 695425 | Kit-Idle Mixture (Nikki) |
| 23A | 698283 | Flywheel (Rewind Starter) Used on Type No(s). 0108. | 36 | 691279 | Spring-Valve (Exhaust) | 95 | ●691636 | Screw (Walbro) (Throttle Valve) |
| 24 | 222698 | Key-Flywheel | 37 | 697352 | Guard-Flywheel Used on Type No(s). 0108. | 95A | ●690718 | Screw (Throttle Valve)(Nikki) |
| 25 | 698767 | Piston Assembly (Standard) ----- Note ----- 698768 Piston Assembly (.010" Oversize) 698769 Piston Assembly (.020" Oversize) 698770 Piston Assembly (.030" Oversize) | 37A | 697626 | Guard-Flywheel (Electric Start) Used on Type No(s). 0108. | 98 | 495800 | Kit-Idle Speed (Walbro) |
| | | | 42 | 499586 | Keeper-Valve | 98A | 695408 | Kit-Idle Speed (Nikki) |
| | | | 43 | 691968 | Slinger-Governor/Oil | 104 | ●690525 | Pin-Float Hinge (Walbro) |
| | | | 45 | 690564 | Tappet-Valve | 104A | ●694918 | Pin-Float Hinge (Nikki) |
| | | | 46 | 790392 | Camshaft (Pressure Lube) | 105 | ●231855 | Valve-Float Needle (Walbro) |
| | | | 50 | 697361 | Manifold-Intake | 105A | ●696136 | Valve-Float Needle (Nikki) |
| | | | 51★*△◆692137 | Gasket-Intake | | | | |
| | | | 53 | 690227 | Stud (Carburetor) | 106 | ●690577 | Seat-Inlet (Gravity Feed) Used on Type No(s). 0108. |

★ Included in Engine Gasket Set-Ref. No.358.

● Included in Carburetor Overhaul Kit-Ref. No. 121.

◆ Included in Carburetor Gasket Set-Ref. No. 977.

△ Included in Valve Gasket Set-Ref. No 1095.

Illustrations cover a range of engines. Parts shown without corresponding text may not be used on your specific engine.

216800

| REF. NO. | PART NO. | DESCRIPTION | REF. NO. | PART NO. | DESCRIPTION | REF. NO. | PART NO. | DESCRIPTION |
|----------|----------|--|----------|----------|--|----------|----------|---|
| 108 | 691227 | Valve-Choke (Walbro) Used on Type No(s). 0108. | 141 | 699027 | Kit-Choke Shaft (Walbro) Used on Type No(s). 0108. | 265 | 691024 | Clamp-Casing |
| 108A | 698773 | Valve-Choke (Nikki) | 141A | 698778 | Kit-Choke Shaft (Nikki) | 267 | 690804 | Screw (Casing Clamp) |
| 117 | 699897 | Jet-Main (Standard)(Nikki) | 142 | ●697491 | Nozzle-Carburetor (Standard)(Walbro) | 268 | 691025 | Casing-Control Wire (Cut To Required Length) |
| 118 | 699898 | Jet-Main (High Altitude)(Nikki) | 143 | ●697492 | Nozzle-Carburetor (High Altitude)(Walbro) | 269 | 691026 | Wire-Control (Cut To Required Length) |
| 121 | 790031 | Kit-Carburetor Overhaul (Walbro) Used on Type No(s). 0108. | 146 | 691639 | Key-Timing | 270 | 691027 | Nut (Control Wire Casing) |
| 121A | 698787 | Kit-Carburetor Overhaul (Nikki) | 186 | 698174 | Connector-Hose (Straight) | 271 | 691028 | Lever-Control |
| 125 | 790019 | Carburetor (Walbro) (Gravity Feed) Used on Type No(s). 0108. | 186B | 692317 | Connector-Hose (90 Degree) | 276 | ●●692255 | Washer-Sealing |
| 127 | ●694524 | Plug-Welch | 187A | 699332 | Line-Fuel (Formed)(Cut To Required Length) Used on Type No(s). 0108. | 300 | 697048 | Muffler (Lo Tone) Used on Type No(s). 0108. |
| 127A | ●690727 | Plug-Welch (Nikki) | 188 | 691693 | Screw (Control Bracket) | 304 | 698473 | Housing-Blower (Black) Used on Type No(s). 0108. |
| 130 | 690468 | Valve-Throttle (Walbro) Used on Type No(s). 0108. | 192 | 691986 | Adjuster-Rocker Arm | 305 | 697102 | Screw (Blower Housing) |
| 130A | 698774 | Valve-Throttle (Nikki) | 202 | 691841 | Link-Mechanical Governor | 305A | 697103 | Screw (Blower Housing) |
| 131 | 697542 | Kit-Throttle Shaft (Walbro) | 209 | 691278 | Spring-Governor Used on Type No(s). 0108. | 306 | 697359 | Shield-Cylinder |
| 131A | 698776 | Kit-Throttle Shaft (Nikki) | 216 | 691840 | Link-Choke | 307 | 691003 | Screw (Cylinder Shield) |
| 133 | 494381 | Float-Carburetor (Walbro) | 222 | 694042 | Bracket-Control | 333 | 492341 | Armature-Magneto |
| 133A | 694914 | Float-Carburetor (Nikki) | 227 | 691374 | Lever-Governor Control | 334 | 691061 | Screw (Magneto Armature) |
| 135A | 698780 | Tube-Fuel Transfer (Nikki) | 232 | 691842 | Spring-Governor Link | 337 | 491055 | Plug-Spark |
| 137 | ●●281165 | Gasket-Float Bowl (Walbro) | 238 | 691843 | Cap-Valve | 356A | 398808 | Wire-Stop Used on Type No(s). 0108. |
| 137A | ●●698781 | Gasket-Float Bowl (Nikki) | 240 | 394358 | Filter-Fuel (White) Used on Type No(s). 0108. | 358 | 697151 | Gasket Set-Engine |
| | | | | | | 359 | 691077 | Washer (Ground Terminal) Used on Type No(s). 0108. |
| | | | | | | 363 | 19203 | Puller-Flywheel |

★ Included in Engine Gasket Set-Ref. No.358.

● Included in Carburetor Overhaul Kit-Ref. No. 121.

◆ Included in Carburetor Gasket Set-Ref. No. 977.

△ Included in Valve Gasket Set-Ref. No 1095.

Illustrations cover a range of engines. Parts shown without corresponding text may not be used on your specific engine.

| REF. NO. | PART NO. | DESCRIPTION | REF. NO. | PART NO. | DESCRIPTION | REF. NO. | PART NO. | DESCRIPTION |
|----------|----------|--|----------|----------|---|----------|----------|---|
| 373 | 691612 | Nut (Ground Terminal) Used on Type No(s). 0108. | 614 | 691620 | Pin-Cotter | 975 | 495933 | Bowl-Float |
| 383 | 89838 | Wrench-Spark Plug | 616 | 692012 | Crank-Governor | 975A | 698783 | Bowl-Float (Nikki) |
| 404 | 691691 | Washer (Governor Crank) | 617 | 692138 | Seal-O Ring (Intake Manifold) | 977 | 690192 | Gasket Set-Carburetor (Walbro) |
| 431 | 697122 | Elbow-Intake | 621 | 692310 | Switch-Stop Used on Type No(s). 0108. | 977A | 790032 | Gasket Set-Carburetor (Nikki) |
| 445 | 698413 | Filter-Air Cleaner Cartridge (Non Washable) | 634 | ●690802 | Spring/Seal Assembly (Walbro) | 987 | ●691326 | Seal-Throttle Shaft (Walbro) |
| 455 | 695113 | Cup-Flywheel Used on Type No(s). 0108. | 634A | ●698779 | Spring/Seal Assembly (Nikki) | 987A | ●698777 | Seal-Throttle Shaft (Nikki) |
| 456 | 695128 | Plate-Pawl Friction | 635 | 691909 | Boot-Spark Plug | 1005 | 699044 | Fan-Flywheel |
| 459 | 281505 | Pawl-Ratchet | 643 | 697155 | Retainer-Air Filter | 1019 | 697764 | Kit-Label |
| 505 | 691251 | Nut (Governor Control Lever) | 654 | 690958 | Nut (Carburetor) | 1022 | ★△272475 | Gasket-Rocker Cover |
| 507 | 691972 | Insulator Used on Type No(s). 0108. | 676 | 393761 | Deflector-Muffler (Side Out) Used on Type No(s). 0108. | 1023 | 692492 | Cover-Rocker |
| 520 | 691084 | Terminal-Ground Used on Type No(s). 0108. | 677 | 690661 | Screw (Muffler Deflector) | 1026 | 697395 | Rod-Push (Exhaust) ----- Note ----- |
| 523 | 699908 | Dipstick | 689 | 691855 | Spring-Friction | 1029 | 691751 | Arm-Rocker |
| 524 | ★691032 | Seal-Dipstick Tube | 691 | ★692407 | Seal-Governor Shaft | 1034 | 690822 | Guide-Push Rod |
| 525 | 697184 | Tube-Dipstick | 697 | 690372 | Screw (Drive Cap) | 1036 | 790465 | Label-Emissions |
| 552 | 697144 | Bushing-Governor Crank | 718 | 690959 | Pin-Locating | 1044 | 698139 | Screw (Flywheel) |
| 562 | 691119 | Bolt (Governor Control Lever) | 729A | 691224 | Clip-Wire | 1054 | 280275 | Tie-Cable |
| 584 | 697112 | Cover-Breather Passage | 741 | 697128 | Gear-Timing | 1058 | 275935 | Operator's Manual |
| 597 | 691696 | Screw (Pawl Friction Plate) | 823 | 698941 | Screw (Muffler Adapter) | 1070 | 690372 | Screw (Flywheel Fan) |
| 601 | 95162 | Clamp-Hose (Zinc Plate)(Spring Wire) | 830 | 691095 | Stud-Rocker Arm | 1091 | 691333 | Cap-Limiter |
| 608 | 695058 | Starter-Rewind Used on Type No(s). 0108. | 842 | ★691031 | Seal-O Ring (Dipstick Tube) | 1095 | 691581 | Gasket Set-Valve |
| 613 | 691416 | Screw (Muffler) | 847 | 790442 | Dipstick/Tube Assembly | 1127 | 695407 | Screw (Float Bowl)(Nikki) |
| 613A | 691678 | Screw (Muffler) | 851 | 692424 | Terminal-Spark Plug | 1263 | 697124 | Reed-Breather |
| | | | 864 | 697346 | Adapter-Muffler Used on Type No(s). 0108. | 1264 | 697104 | Screw (Breather Reed) |
| | | | 868 | ★△690968 | Seal-Valve | 1266 | ●691917 | Seal-O Ring (Intake Elbow) |
| | | | 883 | ★692236 | Gasket-Exhaust | 1266A | ●697123 | Seal-O Ring (Intake Elbow) |
| | | | 914 | 691108 | Screw (Rocker Cover) | 1267 | 697419 | Latch-Blower Housing (Black) Used on Type No(s). 0108. |
| | | | 950 | 691657 | Screw-Float Bowl (Bottom Of Bowl) | 1330 | 272147 | Repair Manual |
| | | | 967 | 697292 | Filter-Pre Cleaner | | | |
| | | | 968 | 697420 | Cover-Air Cleaner (Black) Used on Type No(s). 0108. | | | |

★ Included in Engine Gasket Set-Ref. No.358.

● Included in Carburetor Overhaul Kit-Ref. No. 121.

◆ Included in Carburetor Gasket Set-Ref. No. 977.

△ Included in Valve Gasket Set-Ref. No 1095.

Illustrations cover a range of engines. Parts shown without corresponding text may not be used on your specific engine.