

# Illustrated Parts List

## Model Series

# 218700

TYPE NUMBERS  
0026 Through 0373.

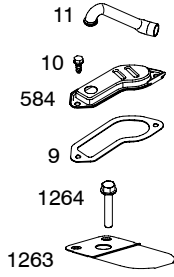
### TABLE OF CONTENTS

<b>Air Cleaner/Blower Housing</b> .....	6
<b>Alternator</b> .....	9
<b>Camshaft</b> .....	3
<b>Carburetor</b> .....	5
<b>Controls</b> .....	8
<b>Crankcase Sump</b> .....	2
<b>Crankshaft</b> .....	3
<b>Cylinder</b> .....	2
<b>Cylinder Head</b> .....	4
<b>Electric Starter</b> .....	7
<b>Flywheel</b> .....	7
<b>Fuel System</b> .....	8
<b>Ignition</b> .....	8
<b>Kit/Gasket Sets - Carburetor</b> .....	5
<b>Kit/Gasket Sets - Engine</b> .....	4
<b>Kit/Gasket Sets - Valve</b> .....	4
<b>Exhaust System</b> .....	6
<b>Lubrication</b> .....	3
<b>Piston</b> .....	3



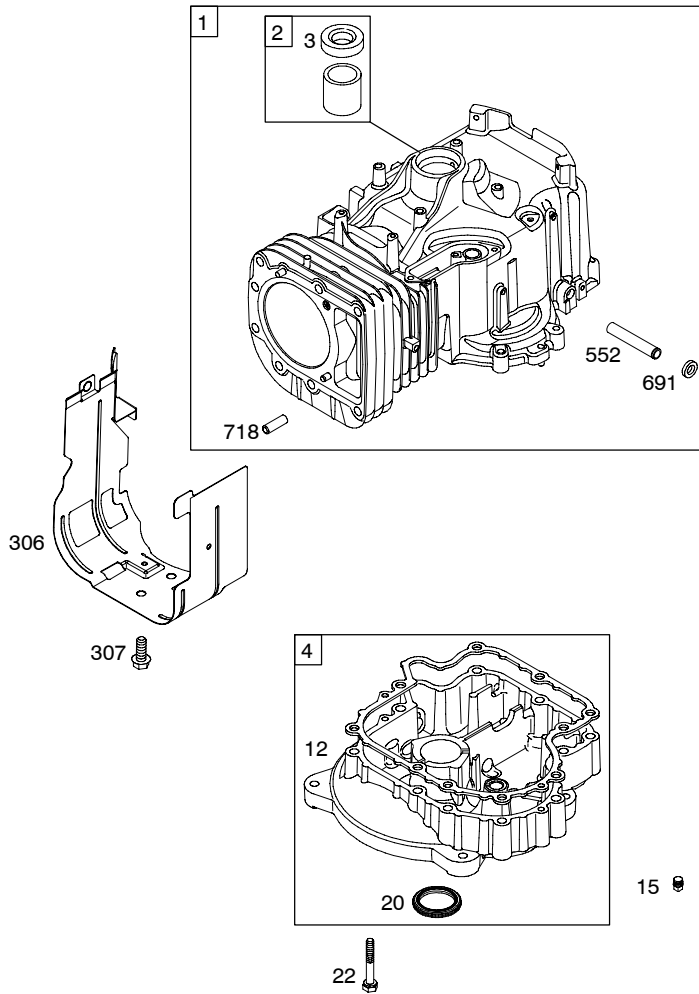
PRINTED IN U.S.A.

COPYRIGHT by BRIGGS & STRATTON CORPORATION  
All rights reserved. No part of this material may be reproduced or transmitted,  
in any form or by any means, electronic or mechanical, including photocopying,  
recording or by any information storage and retrieval system, without permission  
in writing from Briggs & Stratton Corporation.



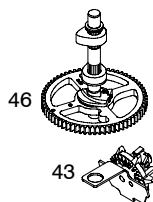
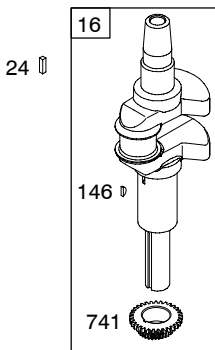
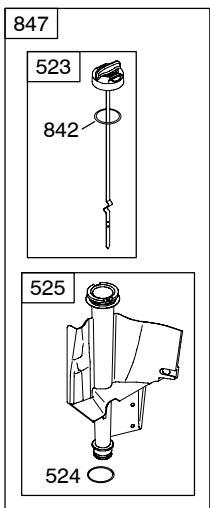
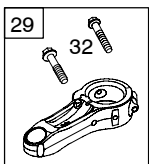
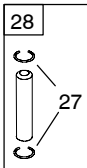
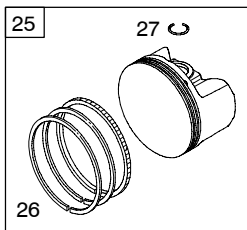
1058 OWNER'S MANUAL

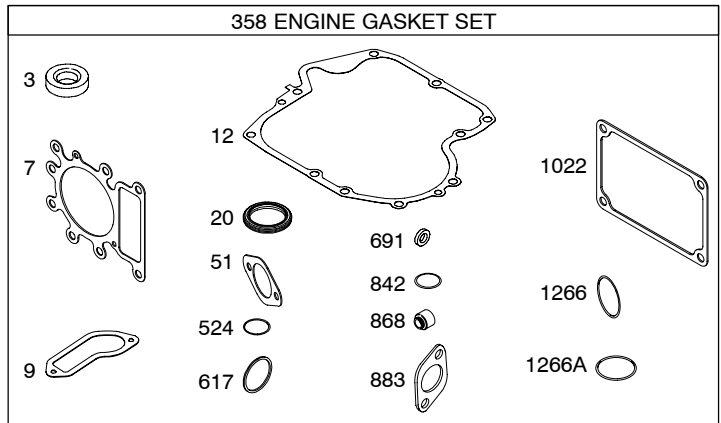
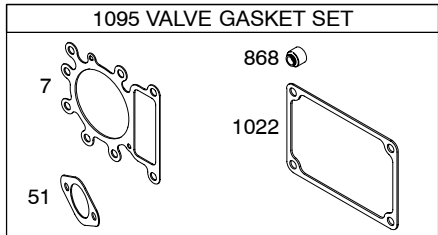
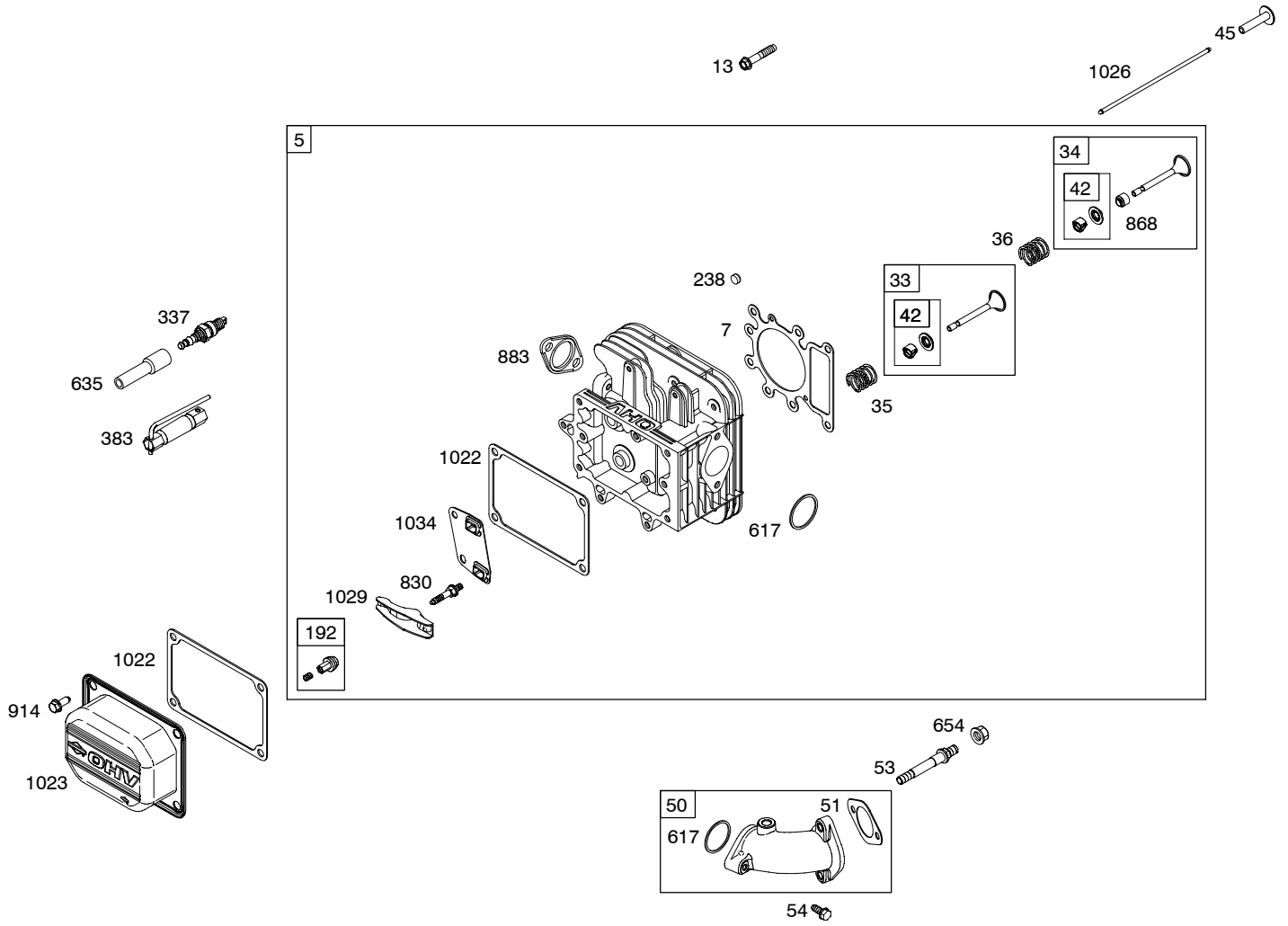
1330 REPAIR MANUAL



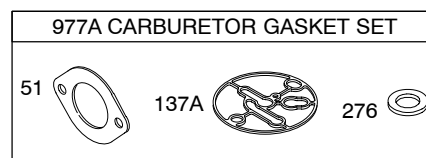
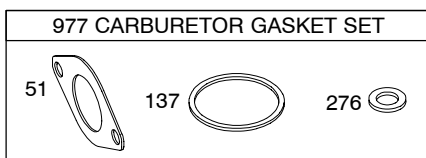
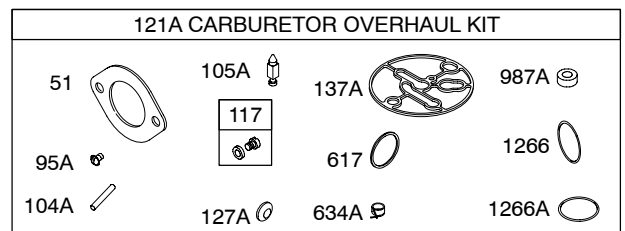
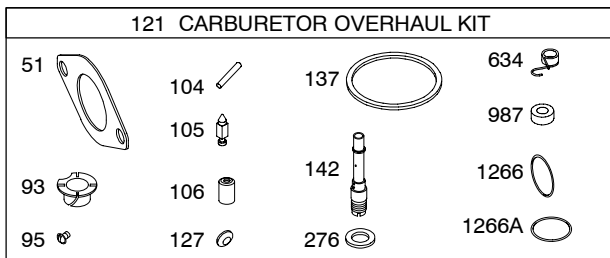
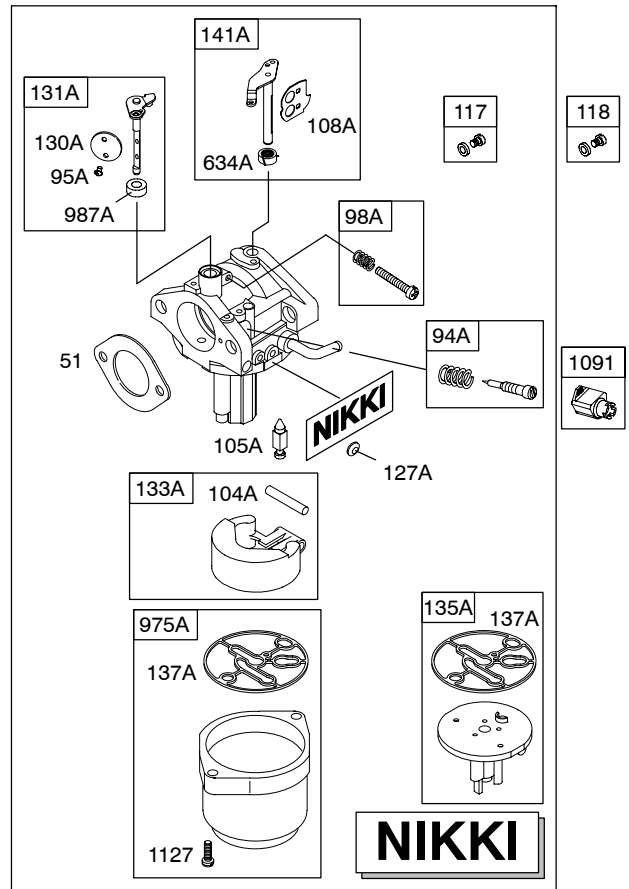
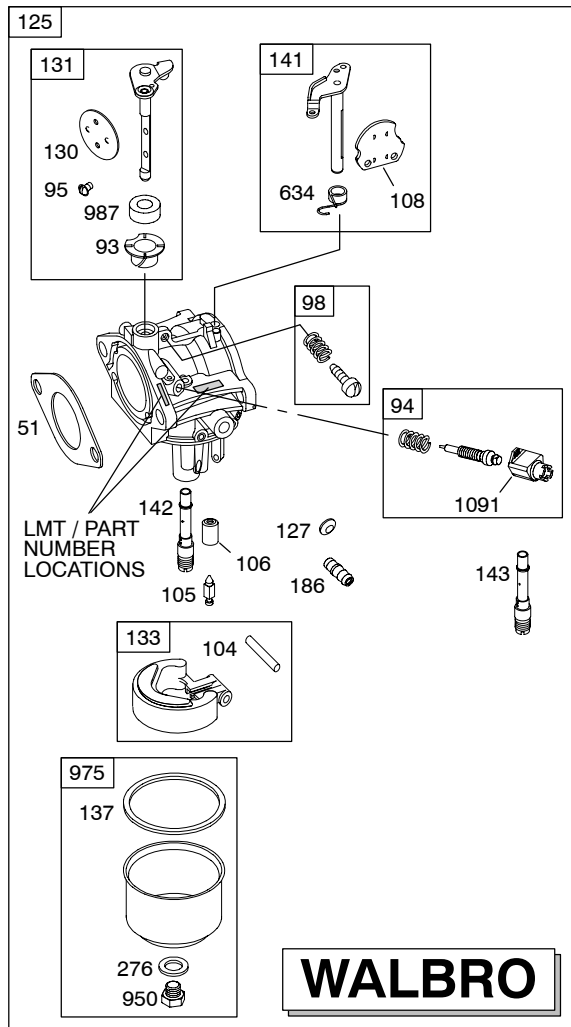
Illustrations cover a range of engines. Parts shown without corresponding text may not be used on your specific engine.  
5495-2 Assemblies include all parts shown in frames.

09/30/2004

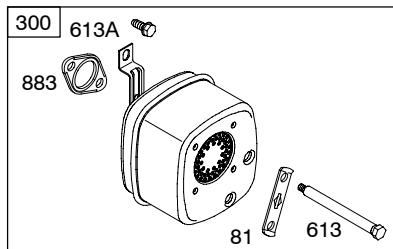
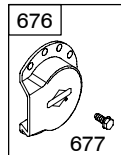
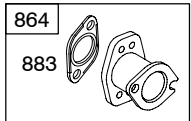
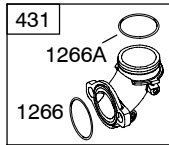
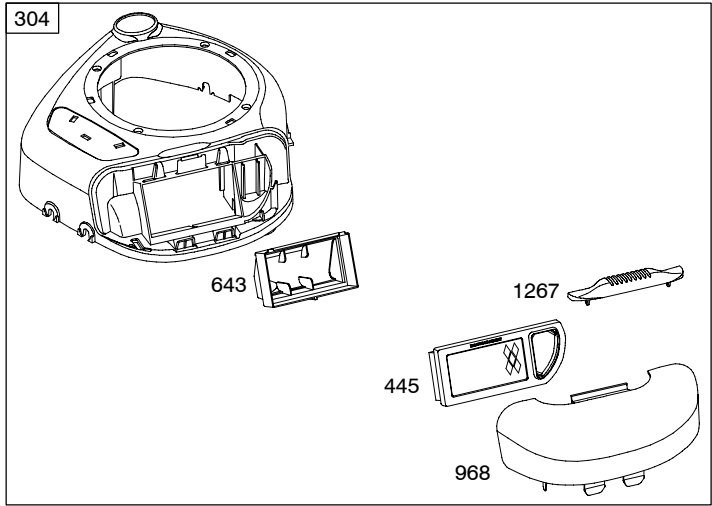
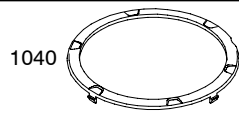


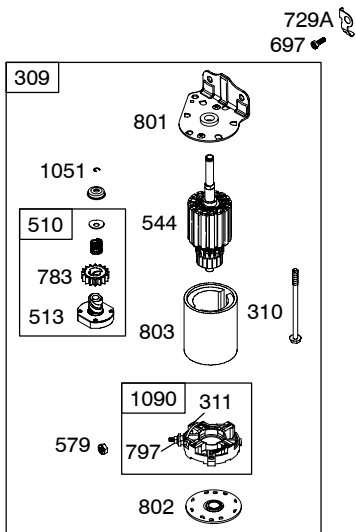
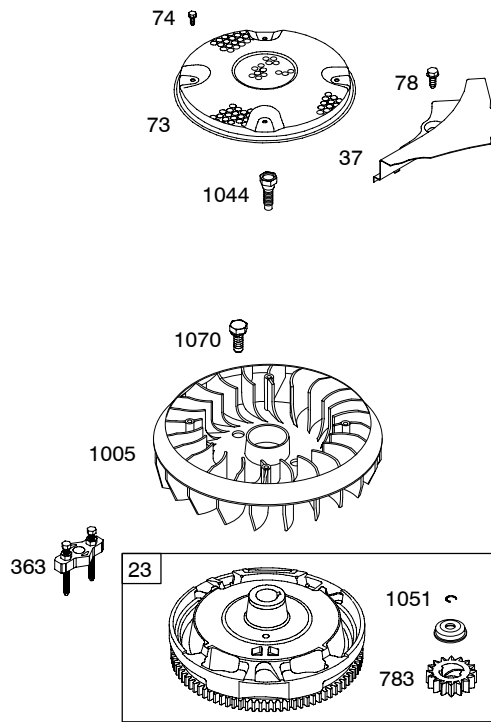


Illustrations cover a range of engines. Parts shown without corresponding text may not be used on your specific engine.  
 5495-4 Assemblies include all parts shown in frames. 09/30/2004



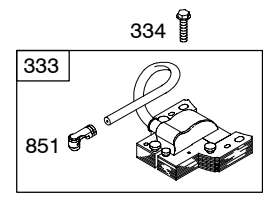
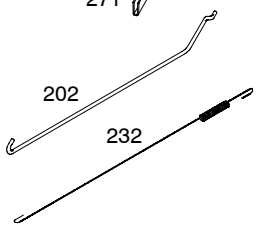
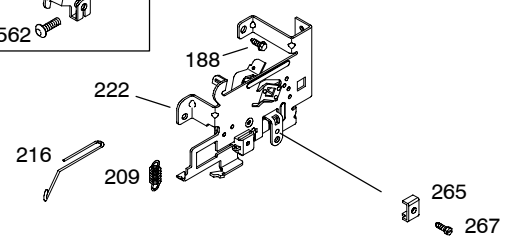
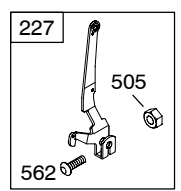
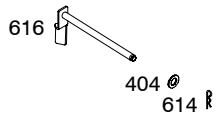
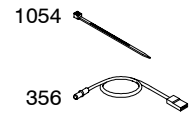
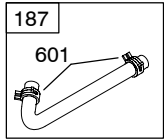
Illustrations cover a range of engines. Parts shown without corresponding text may not be used on your specific engine.  
 5495-5 Assemblies include all parts shown in frames. 09/30/2004



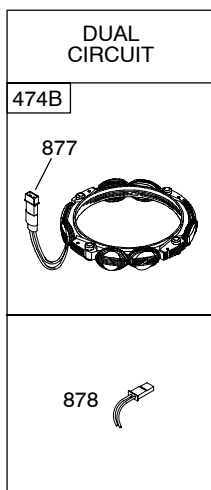



5495-7 *Illustrations cover a range of engines. Parts shown without corresponding text may not be used on your specific engine.* Assemblies include all parts shown in frames. 09/30/2004

# 218700







**NOTE:** All stators use a No. 1119 mounting screw. 

**NOTE:** The proper flywheel part number and/or the alternator magnet size will determine the alternator type or output. See repair instruction manual for additional information.

# 218700

REF. NO.	PART NO.	DESCRIPTION	REF. NO.	PART NO.	DESCRIPTION	REF. NO.	PART NO.	DESCRIPTION
1	699045	Cylinder Assembly	26	698375	Ring Set (Standard)	73	697133	Screen-Rotating (Used After Code Date 03031600)
2	399265	Kit-Bushing/Seal (Magneto Side)			----- <b>Note</b> -----			----- <b>Note</b> -----
3	★391086	Seal-Oil (Magneto Side)		698376	Ring Set (.010" Oversize)		697384	Screen-Rotating (Used Before Code Date 03031700)
4	697106	Sump-Engine		698377	Ring Set (.020" Oversize)			
5	697396	Head-Cylinder		698378	Ring Set (.030" Oversize)	74	697897	Screw (Rotating Screen)
7	★△273280	Gasket-Cylinder Head	27	698469	Lock-Piston Pin (Pink)	78	691003	Screw (Flywheel Guard)
9	★697109	Gasket-Breather	28	697099	Pin-Piston	81	691178	Lock-Muffler Screw
10	697157	Screw (Breather Assembly)	29	697364	Rod-Connecting (Standard)	93	●690602	Bushing-Throttle Shaft
11	697113	Tube-Breather			----- <b>Note</b> -----	94	498030	Kit-Idle Mixture (Walbro)
12	★697110	Gasket-Crankcase (.015" Thick) (Standard)		697262	Rod-Connecting (.020" Undersize)	94A	695425	Kit-Idle Mixture (Nikki)
13	690360	Screw (Cylinder Head)	32	692852	Screw (Connecting Rod)	95	●691636	Screw (Throttle Valve)
15	690946	Plug-Oil Drain (3/8" Standard)	33	695760	Valve-Exhaust	95A	●690718	Screw (Throttle Valve)(Nikki)
16	698382	Crankshaft	34	695761	Valve-Intake	98	495800	Kit-Idle Speed (Walbro)
20	★690947	Seal-Oil (PTO Side)	35	691279	Spring-Valve (Intake)	98A	695408	Kit-Idle Speed (Nikki)
22	692125	Screw (Crankcase Cover/Sump)	36	691279	Spring-Valve (Exhaust)	104	●690525	Pin-Float Hinge (Walbro)
23	698281	Flywheel	37	697352	Guard-Flywheel	104A	●694918	Pin-Float Hinge (Nikki)
24	222698	Key-Flywheel	42	499586	Keeper-Valve	105	●231855	Valve-Float Needle (Walbro)
25	698767	Piston Assembly (Standard)	43	691968	Slinger-Governor/Oil	105A	●696136	Valve-Float Needle (Nikki)
		----- <b>Note</b> -----	45	690564	Tappet-Valve	106	●690577	Seat-Inlet (Walbro)
		698768 Piston Assembly (.010" Oversize)	46	790392	Camshaft			
		698769 Piston Assembly (.020" Oversize)	50	697361	Manifold-Intake			
		698770 Piston Assembly (.030" Oversize)	51	★*△◆692137	Gasket-Intake			
			53	690227	Stud (Carburetor)			
			54	691148	Screw (Intake Manifold)			

★ Included in Engine Gasket Set-Ref. No.358.

● Included in Carburetor Overhaul Kit-Ref. No. 121.

◆ Included in Carburetor Gasket Set-Ref. No. 977.

△ Included in Valve Gasket Set-Ref. No 1095.

**Illustrations cover a range of engines. Parts shown without corresponding text may not be used on your specific engine.**

REF. NO.	PART NO.	DESCRIPTION	REF. NO.	PART NO.	DESCRIPTION	REF. NO.	PART NO.	DESCRIPTION
108	691227	Valve-Choke (Walbro)	146	691639	Key-Timing	300	697048	Muffler (Lo Tone)
108A	698773	Valve-Choke (Nikki)	186	698174	Connector-Hose (Straight)			Used on Type No(s). 0026.
117	699897	Jet-Main (Standard)	187	699331	Line-Fuel (Formed)(Cut To Required Length)	304	698473	Housing-Blower (Black)
118	699898	Jet-Main (High Altitude)			Used on Type No(s). 0026, 0130.			Used on Type No(s). 0026, 0130, 0373.
121	790031	Kit-Carburetor Overhaul (Walbro)	188	691693	Screw (Control Bracket)	305	697102	Screw (Blower Housing)
121A	698787	Kit-Carburetor Overhaul (Nikki)	192	691986	Adjuster-Rocker Arm	305A	697103	Screw (Blower Housing)
125	790019	Carburetor	202	691841	Link-Mechanical Governor	306	697359	Shield-Cylinder
127	●694524	Plug-Welch (Walbro)	209	691798	Spring-Governor Used on Type No(s). 0026.	307	691003	Screw (Cylinder Shield)
127A	●690727	Plug-Welch (Nikki)			----- Note -----	309	693551	Motor-Starter Used on Type No(s). 0026, 0130, 0373.
130	790024	Valve-Throttle (Walbro)			690480	310	690323	Screw (Starter Motor)
130A	698774	Valve-Throttle (Nikki)			Spring-Governor Used on Type No(s). 0130, 0373.	311	497608	Brush Set
131	697542	Kit-Throttle Shaft (Walbro)	216	691840	Link-Choke	333	492341	Armature-Magneto
131A	698776	Kit-Throttle Shaft (Nikki)	222	694042	Bracket-Control	334	691061	Screw (Magneto Armature)
133	494381	Float-Carburetor (Walbro)	227	691374	Lever-Governor Control	337	491055	Plug-Spark
133A	694914	Float-Carburetor (Nikki)	232	691842	Spring-Governor Link	356	697397	Wire-Stop (1 Wire, 20" Long) (Snap Connect Insulated Female Blade Terminal, AndSnap Connect Insulated Pin Socket) Used on Type No(s). 0026.
135A	698780	Tube-Fuel Transfer (Nikki)	238	691843	Cap-Valve			
137	●◆281165	Gasket-Float Bowl (Walbro)	240	394358	Filter-Fuel (White, 75 Microns) Used on Type No(s). 0026, 0130.			
137A	●◆698781	Gasket-Float Bowl (Nikki)	265	691024	Clamp-Casing			
141	699027	Kit-Choke Shaft (Walbro)	267	690804	Screw (Casing Clamp)	358	697151	Gasket Set-Engine
141A	698778	Kit-Choke Shaft (Nikki)	268	691025	Casing-Control Wire (Cut To Required Length)	363	19203	Puller-Flywheel
142	●790025	Nozzle-Carburetor (Standard)(Walbro)	269	691026	Wire-Control (Cut To Required Length)	383	89838	Wrench-Spark Plug
143	●790028	Nozzle-Carburetor (High Altitude)(Walbro)	270	691027	Nut (Control Wire Casing)	404	691691	Washer (Governor Crank)
			271	691028	Lever-Control	431	697122	Elbow-Intake
			276	●◆692255	Washer-Sealing	445	698413	Filter-Air Cleaner Cartridge (Non Washable)

★ Included in Engine Gasket Set-Ref. No.358.

● Included in Carburetor Overhaul Kit-Ref. No. 121.

◆ Included in Carburetor Gasket Set-Ref. No. 977.

△ Included in Valve Gasket Set-Ref. No 1095.

**Illustrations cover a range of engines. Parts shown without corresponding text may not be used on your specific engine.**

# 218700

REF. NO.	PART NO.	DESCRIPTION	REF. NO.	PART NO.	DESCRIPTION	REF. NO.	PART NO.	DESCRIPTION
474B	696459	Alternator (Dual Circuit) Used on Type No(s). 0026, 0130, 0373.	677	690661	Screw (Muffler Deflector)	950	691657	Screw-Float Bowl (Bottom Of Bowl)
505	691251	Nut (Governor Control Lever)	691	★692407	Seal-Governor Shaft	968	697420	Cover-Air Cleaner (Black) Used on Type No(s). 0026, 0130, 0373.
510	693699	Drive-Starter	697	690372	Screw (Drive Cap)	975	495933	Bowl-Float (Walbro)
513	692024	Clutch-Drive	718	690959	Pin-Locating	975A	698783	Bowl-Float (Nikki)
523	699908	Dipstick	729	691335	Clip-Wire (Wire Retainer)	977	690192	Gasket Set-Carburetor (Walbro)
524	★691032	Seal-Dipstick Tube	729A	691224	Clip-Wire (Starter Motor)	977A	790032	Gasket Set-Carburetor (Nikki)
525	697184	Tube-Dipstick	741	697128	Gear-Timing	987	●691326	Seal-Throttle Shaft (Walbro)
544	692034	Armature-Starter	783	693713	Gear-Pinion	987A	●698777	Seal-Throttle Shaft (Nikki)
552	697144	Bushing-Governor Crank	797	693167	Nut (Brush Retainer)	1005	699044	Fan-Flywheel (Used After Code Date 03031600)
562	691119	Bolt (Governor Control Lever)	801	691283	Cap-Drive	1022	★Δ272475	Gasket-Rocker Cover
579	691029	Nut (Starter Cable)	802	691286	Cap-End	1023	692492	Cover-Rocker
584	697112	Cover-Breather Passage	803	693757	Housing-Starter	1026	697395	Rod-Push (Exhaust) ----- <b>Note</b> -----
601	95162	Clamp-Hose (Zinc Plate)(Spring Wire)	823	698941	Screw (Muffler Adapter)	697360		Fan-Flywheel (Used Before Code Date 03031700)
613	691416	Screw (Muffler)	830	691095	Stud-Rocker Arm	697360		Fan-Flywheel (Used Before Code Date 03031700)
613A	691678	Screw (Muffler)	842	★691031	Seal-O Ring (Dipstick Tube)	1022	★Δ272475	Gasket-Rocker Cover
614	691620	Pin-Cotter	847	790442	Dipstick/Tube Assembly	1023	692492	Cover-Rocker
616	692012	Crank-Governor	851	692424	Terminal-Spark Plug	1026	697395	Rod-Push (Exhaust) ----- <b>Note</b> -----
617	★692138	Seal-O Ring (Intake Manifold)	864	697346	Adapter-Muffler Used on Type No(s). 0026.	697394		Rod-Push (Intake)
634	●690802	Spring/Seal Assembly (Walbro)	868	★Δ690968	Seal-Valve	697394		Rod-Push (Intake)
634A	●698779	Spring/Seal Assembly (Nikki)	877	393456	Wire/Connector- Alternator (Dual Circuit) Used on Type No(s). 0026, 0130.	1029	691751	Arm-Rocker
635	691909	Boot-Spark Plug	878	691237	Harness-Alternator (2 Wires, 48-1/2", And 48-1/2" Long)(Snap Connect Female Pin Terminal,And 2 Bare Wire Ends) Used on Type No(s). 0026, 0130.	1034	690822	Guide-Push Rod
643	697155	Retainer-Air Filter	883	★692236	Gasket-Exhaust	1036	790465	Label-Emissions (Used After Code Date 04063000) ----- <b>Note</b> -----
654	690958	Nut (Carburetor)	914	691108	Screw (Rocker Cover)	790186		Label- Emissions (Used After Code Date 03123100 and Before Code Date 04070100).
676	393761	Deflector-Muffler (Side Out) Used on Type No(s). 0026.				697221		Label-Emissions (Used Before Code Date 04010100)

★ Included in Engine Gasket Set-Ref. No.358.

● Included in Carburetor Overhaul Kit-Ref. No. 121.

◆ Included in Carburetor Gasket Set-Ref. No. 977.

Δ Included in Valve Gasket Set-Ref. No 1095.

**Illustrations cover a range of engines. Parts shown without corresponding text may not be used on your specific engine.**

REF. NO.	PART NO.	DESCRIPTION	REF. NO.	PART NO.	DESCRIPTION	REF. NO.	PART NO.	DESCRIPTION
1040	698368	Plate-Trim (Exhaust) Used on Type No(s). 0026, 0130, 0373.	1090	691293	Retainer-Brush	1266	●691917	Seal-O Ring (Intake Elbow)
			1091	691333	Cap-Limiter	1266A	●697123	Seal-O Ring (Intake Elbow)
			1095	691581	Gasket Set-Valve	1267	697419	Latch-Blower Housing (Black) Used on Type No(s). 0026, 0130, 0373.
1044	698139	Screw (Flywheel)	1119	691183	Screw (Alternator)	1330	272147	Repair Manual
1051	691265	Ring-Retaining	1127	695407	Screw (Float Bowl)			
1054	280275	Tie-Cable	1263	697124	Reed-Breather			
1058	275935	Operator's Manual	1264	697104	Screw (Breather Reed)			
1070	690372	Screw (Flywheel Fan)						

★ Included in Engine Gasket Set-Ref. No.358.

● Included in Carburetor Overhaul Kit-Ref. No. 121.

◆ Included in Carburetor Gasket Set-Ref. No. 977.

△ Included in Valve Gasket Set-Ref. No 1095.

**Illustrations cover a range of engines. Parts shown without corresponding text may not be used on your specific engine.**