

Illustrated Parts List

Model Series

219800

TYPE NUMBERS
0113, 0114.

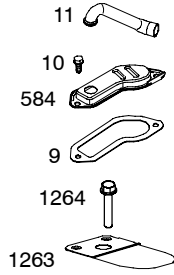
TABLE OF CONTENTS

Air Cleaner/Blower Housing	6
Alternator	9
Camshaft	3
Carburetor	5
Controls	8
Crankcase Sump	2
Crankshaft	3
Cylinder	2
Cylinder Head	4
Electric Starter	7
Exhaust System	6
Flywheel	7
Fuel System	8
Ignition	8
Kit/Gasket Sets - Carburetor	5
Kit/Gasket Sets - Engine	4
Kit/Gasket Sets - Valve	4
Lubrication	3
Piston	3

PRINTED IN U.S.A.

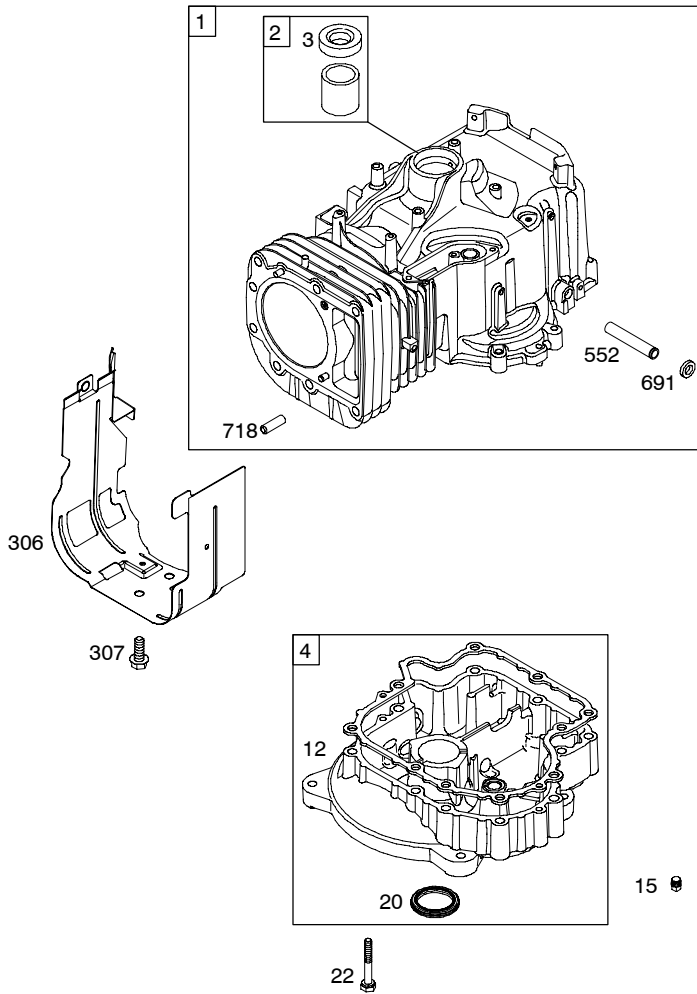


COPYRIGHT by BRIGGS & STRATTON CORPORATION
All rights reserved. No part of this material may be reproduced or transmitted,
in any form or by any means, electronic or mechanical, including photocopying,
recording or by any information storage and retrieval system, without permission
in writing from Briggs & Stratton Corporation.

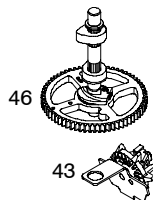
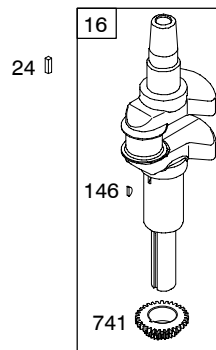
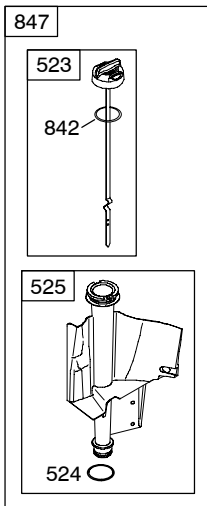
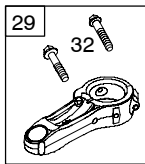
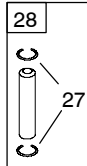
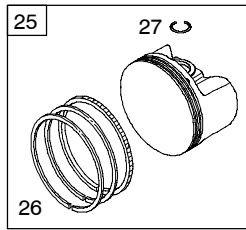


1058 OWNER'S MANUAL

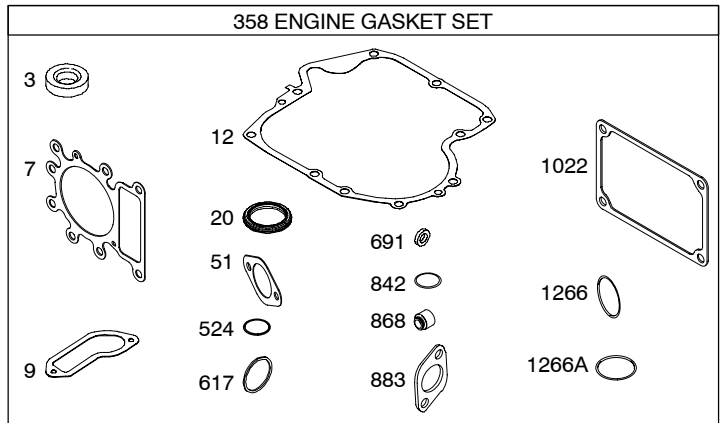
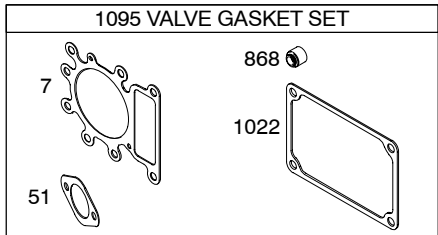
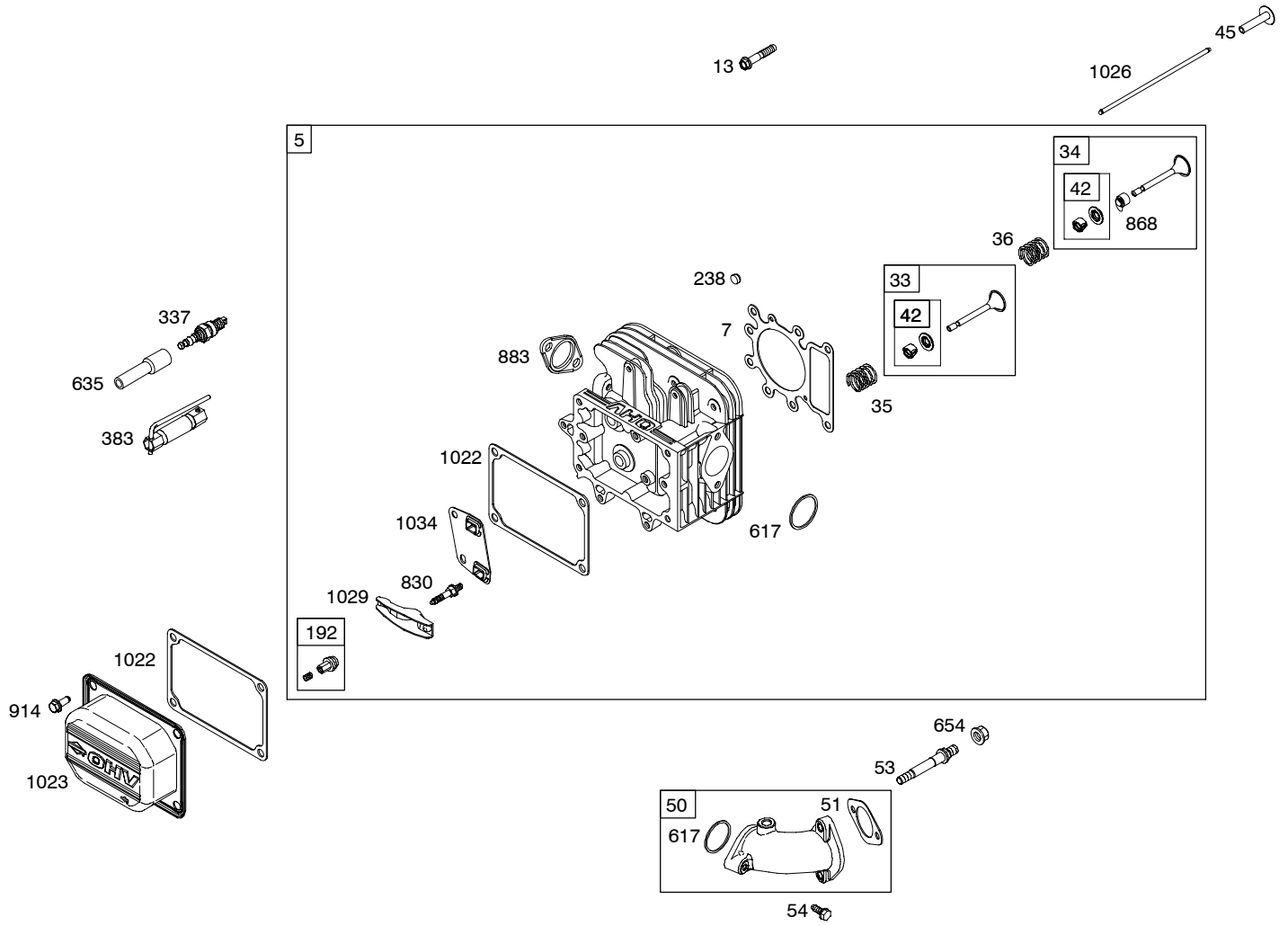
1330 REPAIR MANUAL



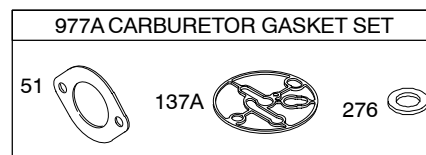
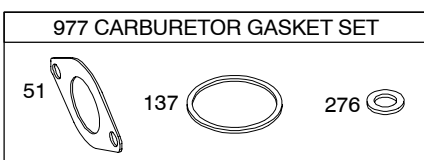
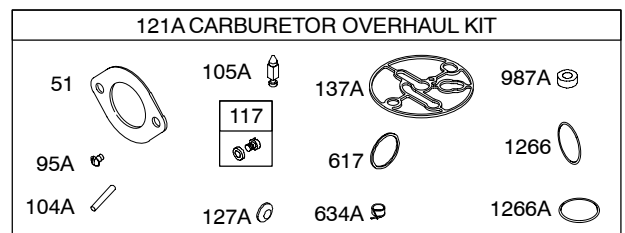
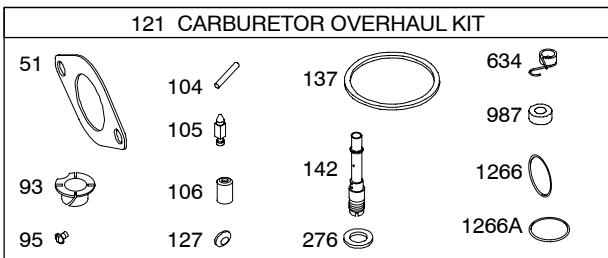
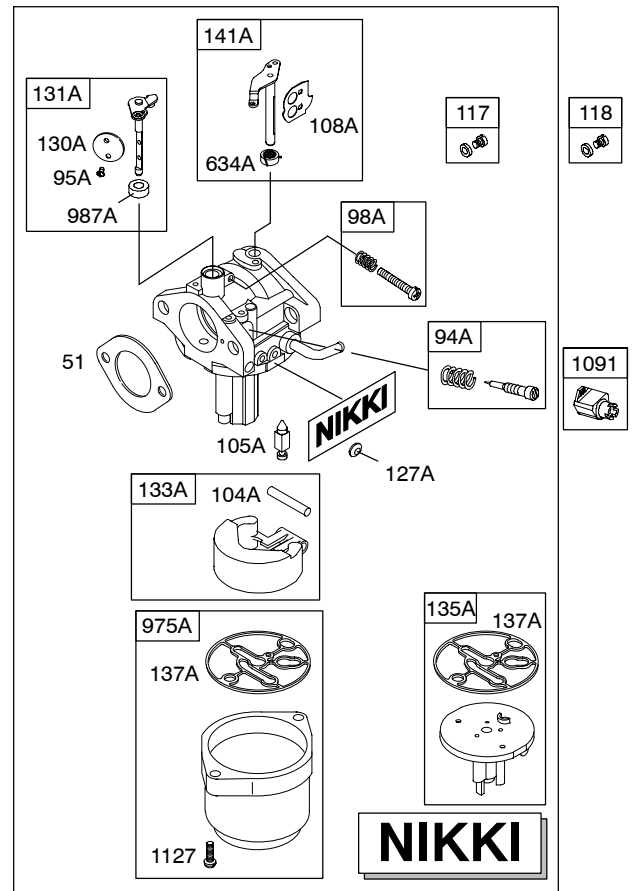
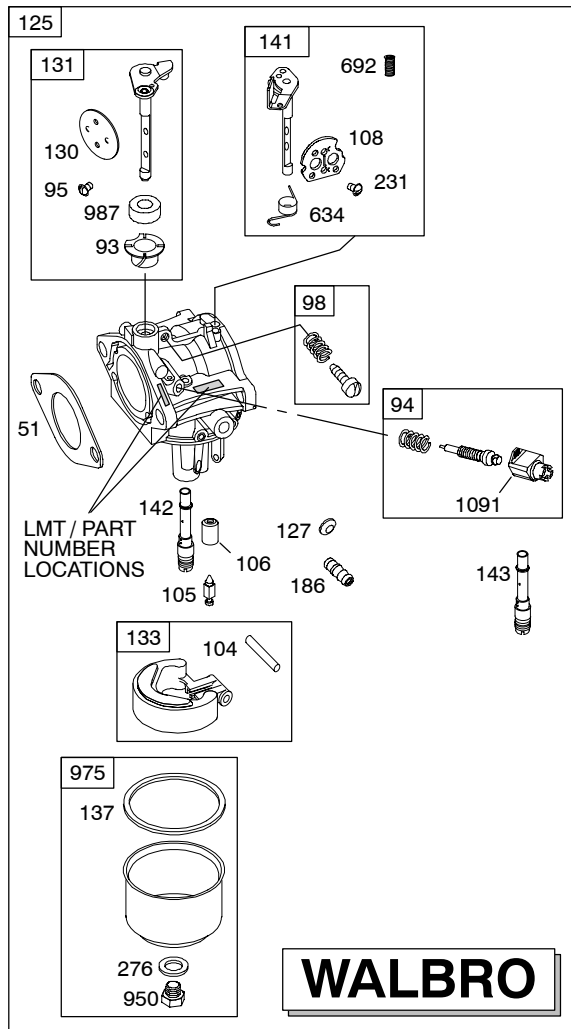
Illustrations cover a range of engines. Parts shown without corresponding text may not be used on your specific engine.



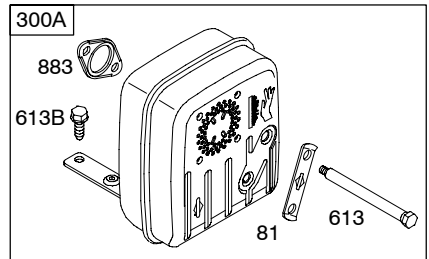
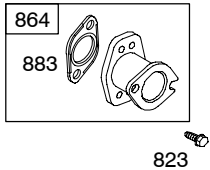
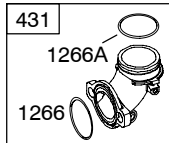
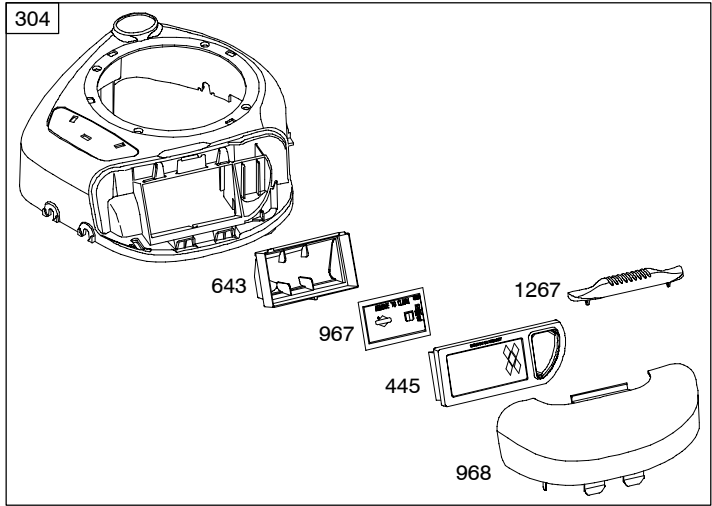
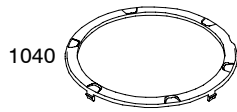
Illustrations cover a range of engines. Parts shown without corresponding text may not be used on your specific engine.
5709-3 Assemblies include all parts shown in frames. 10/06/2004



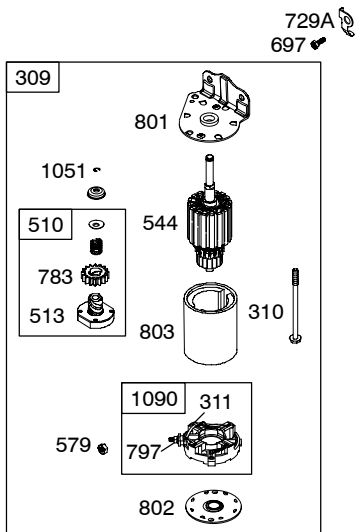
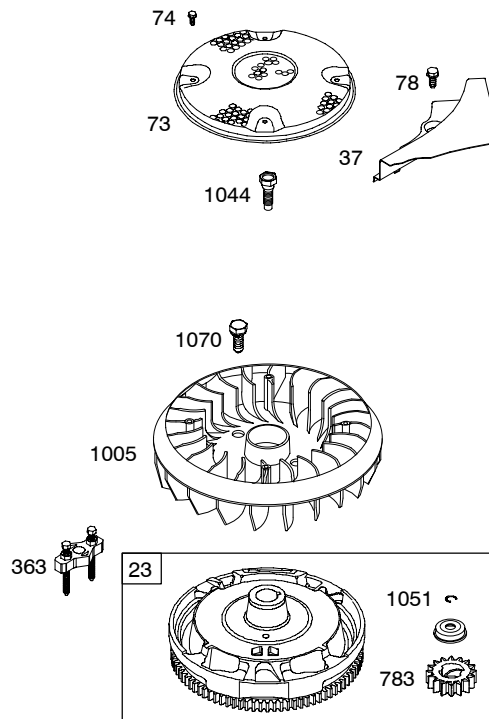
Illustrations cover a range of engines. Parts shown without corresponding text may not be used on your specific engine.



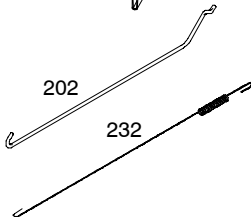
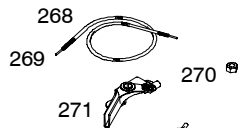
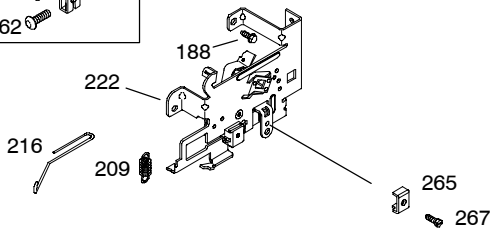
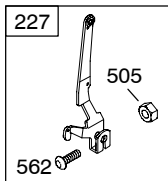
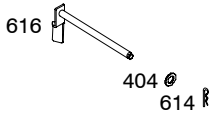
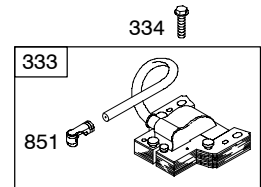
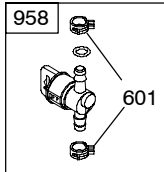
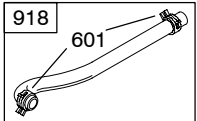
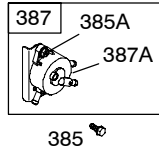
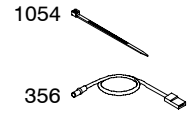
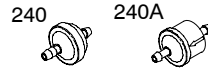
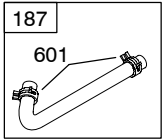
Illustrations cover a range of engines. Parts shown without corresponding text may not be used on your specific engine.



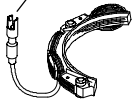

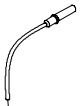
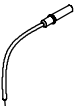



Illustrations cover a range of engines. Parts shown without corresponding text may not be used on your specific engine.
5709-6 Assemblies include all parts shown in frames.



Illustrations cover a range of engines. Parts shown without corresponding text may not be used on your specific engine.



Illustrations cover a range of engines. Parts shown without corresponding text may not be used on your specific engine.
5709-8 Assemblies include all parts shown in frames. **10/06/2004**

DC ONLY	5 – 9 AMP
<p>474A</p> <p>877A</p> 	<p>474C</p> <p>877B</p> 
<p>578</p> 	<p>578</p> 
<p>NOTE: All stators use a No. 1119 mounting screw. </p> <p>NOTE: The proper flywheel part number and/or the alternator magnet size will determine the alternator type or output. See repair instruction manual for additional information.</p>	<p>526A </p> <p>501A </p>

729B 

Illustrations cover a range of engines. Parts shown without corresponding text may not be used on your specific engine.

219800

REF. NO.	PART NO.	DESCRIPTION	REF. NO.	PART NO.	DESCRIPTION	REF. NO.	PART NO.	DESCRIPTION		
1	697377	Cylinder Assembly	26	698375	Ring Set (Standard)	54	691148	Screw (Intake Manifold)		
2	399265	Kit-Bushing/Seal (Magneto Side)			----- Note -----	73	697133	Screen-Rotating		
3	★391086	Seal-Oil (Magneto Side)			698376 Ring Set (.010" Oversize)	74	697897	Screw (Rotating Screen)		
4	697106	Sump-Engine			698377 Ring Set (.020" Oversize)	78	691003	Screw (Flywheel Guard)		
5	697396	Head-Cylinder			698378 Ring Set (.030" Oversize)	81	691178	Lock-Muffler Screw		
7	★△273280	Gasket-Cylinder Head				93	●690602	Bushing-Throttle Shaft		
9	★697109	Gasket-Breather	27	698469	Lock-Piston Pin (Pink) (Used After Code Date 02100300)	94	498030	Kit-Idle Mixture (Walbro)		
10	697157	Screw (Breather Assembly)			----- Note -----	94A	695425	Kit-Idle Mixture (Nikki)		
11	697113	Tube-Breather			698138 Lock-Piston Pin (Green) (Used Before Code Date 02100400)	95	●691636	Screw (Throttle Valve)		
12	★697110	Gasket-Crankcase (.015" Thick) (Standard)				95A	●690718	Screw (Throttle Valve)(Nikki)		
13	690360	Screw (Cylinder Head)	28	697099	Pin-Piston	98	495800	Kit-Idle Speed (Walbro)		
15	690946	Plug-Oil Drain (3/8" Standard)	29	697364	Rod-Connecting (Standard)	98A	695408	Kit-Idle Speed (Nikki)		
16	698382	Crankshaft			----- Note -----	104	●690525	Pin-Float Hinge (Walbro)		
20	★690947	Seal-Oil (PTO Side)			697262 Rod- Connecting (.020" Undersize)	104A	●694918	Pin-Float Hinge (Nikki)		
22	692125	Screw (Crankcase Cover/Sump)				105	●231855	Valve-Float Needle (Walbro)		
23	698281	Flywheel	32	692852	Screw (Connecting Rod)	105A	●696136	Valve-Float Needle (Nikki)		
		----- Note -----	33	695760	Valve-Exhaust	106	●690577	Seat-Inlet (Gravity Feed) Used on Type No(s). 0113.		
		698282 Flywheel Used on Type No(s). 0113.	34	695761	Valve-Intake			----- Note -----		
24	222698	Key-Flywheel	35	691279	Spring-Valve (Intake)			691780 Seat-Inlet Used on Type No(s). 0114.		
25	698767	Piston Assembly (Standard)	36	691279	Spring-Valve (Exhaust)	108	691227	Valve-Choke (Walbro) Used on Type No(s). 0113.		
		----- Note -----	37	697352	Guard-Flywheel			108A	698773	Valve-Choke (Nikki)
		698768 Piston Assembly (.010" Oversize)	42	499586	Keeper-Valve	117	699897	Jet-Main (Standard)		
		698769 Piston Assembly (.020" Oversize)	43	691968	Slinger-Governor/Oil	118	699898	Jet-Main (High Altitude)		
		698770 Piston Assembly (.030" Oversize)	45	690564	Tappet-Valve					
			46	790392	Camshaft					
			50	697361	Manifold-Intake					
			51★*△◆	692137	Gasket-Intake					
			53	690227	Stud (Carburetor)					

★ Included in Engine Gasket Set-Ref. No.358.

● Included in Carburetor Overhaul Kit-Ref. No. 121.

◆ Included in Carburetor Gasket Set-Ref. No. 977.

△ Included in Valve Gasket Set-Ref. No 1095.

Illustrations cover a range of engines. Parts shown without corresponding text may not be used on your specific engine.

REF. NO.	PART NO.	DESCRIPTION	REF. NO.	PART NO.	DESCRIPTION	REF. NO.	PART NO.	DESCRIPTION
121	790031	Kit-Carburetor Overhaul (Walbro)	141	699027	Kit-Choke Shaft (Walbro)	240	394358	Filter-Fuel (White, 75 Microns) Used on Type No(s). 0113.
121A	698787	Kit-Carburetor Overhaul (Nikki)	141A	698778	Kit-Choke Shaft (Nikki)	240A	691035	Filter-Fuel (Clear, 40 Microns) Used on Type No(s). 0114.
125	790019	Carburetor (Gravity Feed) Used on Type No(s). 0113.	142	●790025	Nozzle-Carburetor (Standard)(Walbro)	265	691024	Clamp-Casing
		----- Note -----	143	●790028	Nozzle-Carburetor (High Altitude)(Walbro)	267	690804	Screw (Casing Clamp)
		790020 Carburetor (Pump Feed) Used on Type No(s). 0114.	146	691639	Key-Timing	268	691025	Casing-Control Wire (Cut To Required Length)
127	●694524	Plug-Welch (Walbro)	186	698174	Connector-Hose (Straight)	269	691026	Wire-Control (Cut To Required Length)
127A	●690727	Plug-Welch (Nikki)	187	699331	Line-Fuel (Formed)(Cut To Required Length) Used on Type No(s). 0113, 0114.	270	691027	Nut (Control Wire Casing)
130	790024	Valve-Throttle Used on Type No(s). 0113, 0114.	188	691693	Screw (Control Bracket)	271	691028	Lever-Control
130A	698774	Valve-Throttle (Nikki)	192	691986	Adjuster-Rocker Arm	276	●692255	Washer-Sealing
131	790175	Kit-Throttle Shaft (Walbro)	202	691841	Link-Mechanical Governor	300A	697349	Muffler (Lo Tone) Used on Type No(s). 0114.
131A	698776	Kit-Throttle Shaft (Nikki)	209	692208	Spring-Governor Used on Type No(s). 0113.			
133	494381	Float-Carburetor (Walbro)			----- Note -----	304	698473	Housing-Blower (Black) Used on Type No(s). 0113, 0114.
133A	694914	Float-Carburetor (Nikki)			691798 Spring-Governor Used on Type No(s). 0114.	305	697102	Screw (Blower Housing)
135A	698780	Tube-Fuel Transfer (Nikki) Used on Type No(s). 0113.	216	691840	Link-Choke	305A	697103	Screw (Blower Housing)
		----- Note -----	222	694042	Bracket-Control	306	697359	Shield-Cylinder
		790030 Tube-Fuel Transfer (Nikki) Used on Type No(s). 0114.	227	691374	Lever-Governor Control	307	691003	Screw (Cylinder Shield)
137	●281165	Gasket-Float Bowl (Walbro)	231	691636	Screw (Choke Valve)	309	693551	Motor-Starter Used on Type No(s). 0113, 0114.
137A	698781	Gasket-Float Bowl (Nikki)	232	691842	Spring-Governor Link			
			238	691843	Cap-Valve			

★ Included in Engine Gasket Set-Ref. No.358.

● Included in Carburetor Overhaul Kit-Ref. No. 121.

◆ Included in Carburetor Gasket Set-Ref. No. 977.

△ Included in Valve Gasket Set-Ref. No 1095.

Illustrations cover a range of engines. Parts shown without corresponding text may not be used on your specific engine.

219800

REF. NO.	PART NO.	DESCRIPTION	REF. NO.	PART NO.	DESCRIPTION	REF. NO.	PART NO.	DESCRIPTION
310	690323	Screw (Starter Motor)	404	691691	Washer (Governor Crank)	578	692306	Wire Assembly (1 Wire, 48-1/2" Long)(Snap Connect Female Pin Socket, And Bare WireEnd)
311	497608	Brush Set	431	697122	Elbow-Intake	579	691029	Nut (Starter Cable)
333	492341	Armature-Magneto	445	698413	Filter-Air Cleaner Cartridge (Non Washable)	584	697112	Cover-Breather Passage
334	691061	Screw (Magneto Armature)	474A	696578	Alternator (DC Only) Used on Type No(s). 0114.	601	95162	Clamp-Hose (Zinc Plate)(Spring Wire)
337	491055	Plug-Spark ----- Note ----- 691043 Plug-Spark Used on Type No(s). 0113.	474C	696457	Alternator (5 To 9 Amp Regulated) Used on Type No(s). 0113.	613	691416	Screw (Muffler)
356	697397	Wire-Stop (1 Wire, 20" Long)(Snap Connect Insulated Female Blade Terminal, AndSnap Connect Insulated Pin Socket) Used on Type No(s). 0113, 0114.	501A	691188	Regulator (5 To 9 Amp Regulated) Used on Type No(s). 0113.	613B	690297	Screw (Muffler) Used on Type No(s). 0114.
356B	697089	Wire-Stop (1 Wire, 8" Long)(2 Ring Terminals) Used on Type No(s). 0113.	505	691251	Nut (Governor Control Lever)	614	691620	Pin-Cotter
358	697151	Gasket Set-Engine	510	693699	Drive-Starter	616	692012	Crank-Governor
363	19203	Puller-Flywheel	513	692024	Clutch-Drive	617	★692138	Seal-O Ring (Intake Manifold)
383	89838	Wrench-Spark Plug	523	699908	Dipstick	634	●690802	Spring/Seal Assembly (Walbro)
385	694476	Screw (Fuel Pump) Used on Type No(s). 0114.	524	★691032	Seal-Dipstick Tube	634A	●698779	Spring/Seal Assembly (Nikki)
385A	690297	Screw (Fuel Pump) Used on Type No(s). 0114.	525	697184	Tube-Dipstick ----- Note ----- 697085 Tube-Dipstick (Used On Engines With Fuel Pump) Used on Type No(s). 0114.	635	691909	Boot-Spark Plug
387	697090	Pump-Fuel (Includes Mounting Bracket) Used on Type No(s). 0114.	526A	697088	Screw (Regulator)(5 To 9 Amp Regulated)	643	697155	Retainer-Air Filter
387A	808656	Pump-Fuel Used on Type No(s). 0114.	544	692034	Armature-Starter	644	690958	Nut (Carburetor)
			552	697144	Bushing-Governor Crank	691	★692407	Seal-Governor Shaft
			562	691119	Bolt (Governor Control Lever)	692	691301	Spring-Detent Used on Type No(s). 0114.
						697	690372	Screw (Drive Cap)
						718	690959	Pin-Locating

★ Included in Engine Gasket Set-Ref. No.358.

● Included in Carburetor Overhaul Kit-Ref. No. 121.

◆ Included in Carburetor Gasket Set-Ref. No. 977.

△ Included in Valve Gasket Set-Ref. No 1095.

Illustrations cover a range of engines. Parts shown without corresponding text may not be used on your specific engine.

REF. NO.	PART NO.	DESCRIPTION	REF. NO.	PART NO.	DESCRIPTION	REF. NO.	PART NO.	DESCRIPTION
729	691335	Clip-Wire (Wire Retainer)	883	★692236	Gasket-Exhaust	1029	691751	Arm-Rocker
729A	691224	Clip-Wire (Starter Motor)	914	691108	Screw (Rocker Cover)	1034	690822	Guide-Push Rod
729B	694123	Clip-Wire (Regulator) Used on Type No(s). 0113.	918	697091	Hose-Vacuum (Molded) Used on Type No(s). 0114.	1036	790465	Label-Emissions (Used After Code Date 04063000) ----- Note ----- 790186 Label-Emissions (Used After Code Date 03123100 and Before Code Date 04070100). 697221 Label-Emissions (Used Before Code Date 04010100)
741	697128	Gear-Timing	950	691657	Screw-Float Bowl (Bottom Of Bowl)	1040	698368	Plate-Trim (Exhaust) Used on Type No(s). 0113, 0114.
783	693713	Gear-Pinion	958	698183	Valve-Fuel Shut Off (Plastic) Used on Type No(s). 0113.	1044	698139	Screw (Flywheel)
797	693167	Nut (Brush Retainer)	967	697292	Filter-Pre Cleaner	1051	691265	Ring-Retaining
801	691283	Cap-Drive	968	697420	Cover-Air Cleaner (Black) Used on Type No(s). 0113, 0114.	1054	280275	Tie-Cable
802	691286	Cap-End	975	495933	Bowl-Float (Walbro)	1058	275935	Operator's Manual Screw (Flywheel Fan)
803	693757	Housing-Starter	975A	698783	Bowl-Float (Nikki)	1070	690372	Retainer-Brush
823	698941	Screw (Muffler Adapter)	977	690192	Gasket Set-Carburetor (Walbro)	1090	691293	Cap-Limiter
830	691095	Stud-Rocker Arm	977A	790032	Gasket Set-Carburetor (Nikki)	1091	691333	Gasket Set-Valve
842	★691031	Seal-O Ring (Dipstick Tube)	987	●691326	Seal-Throttle Shaft (Walbro)	1095	691581	Screw (Alternator)
847	790442	Dipstick/Tube Assembly ----- Note ----- 790443 Dipstick/Tube Assembly (Used On Engines With Fuel Pump) Used on Type No(s). 0114.	987A	●698777	Seal-Throttle Shaft (Nikki)	1119	691183	Screw (Float Bowl)
851	692424	Terminal-Spark Plug	1005	699044	Fan-Flywheel (Used After Code Date 03031600) ----- Note ----- 697360 Fan-Flywheel (Used Before Code Date 03031700)	1127	695407	Reed-Breather Screw (Breather Reed)
864	697346	Adapter-Muffler Used on Type No(s). 0114.	1022	★△272475	Gasket-Rocker Cover	1263	697124	Seal-O Ring (Intake Elbow)
868	★△690968	Seal-Valve	1023	692492	Cover-Rocker	1266A	●697123	Seal-O Ring (Intake Elbow)
877A	393814	Wire/Connector- Alternator (DC Only) Used on Type No(s). 0114.	1026	697395	Rod-Push (Exhaust) ----- Note ----- 697394 Rod-Push (Intake)	1267	697419	Latch-Blower Housing (Black) Used on Type No(s). 0113, 0114.
877B	393537	Wire/Connector- Alternator (5 To 9 Amp Regulated) Used on Type No(s). 0113.				1330	272147	Repair Manual

★ Included in Engine Gasket Set-Ref. No.358.

● Included in Carburetor Overhaul Kit-Ref. No. 121.

◆ Included in Carburetor Gasket Set-Ref. No. 977.

△ Included in Valve Gasket Set-Ref. No 1095.

Illustrations cover a range of engines. Parts shown without corresponding text may not be used on your specific engine.