

21A100

Illustrated Parts List

Model Series

21A100

TYPE NUMBERS
0017 through 0254.

TABLE OF CONTENTS

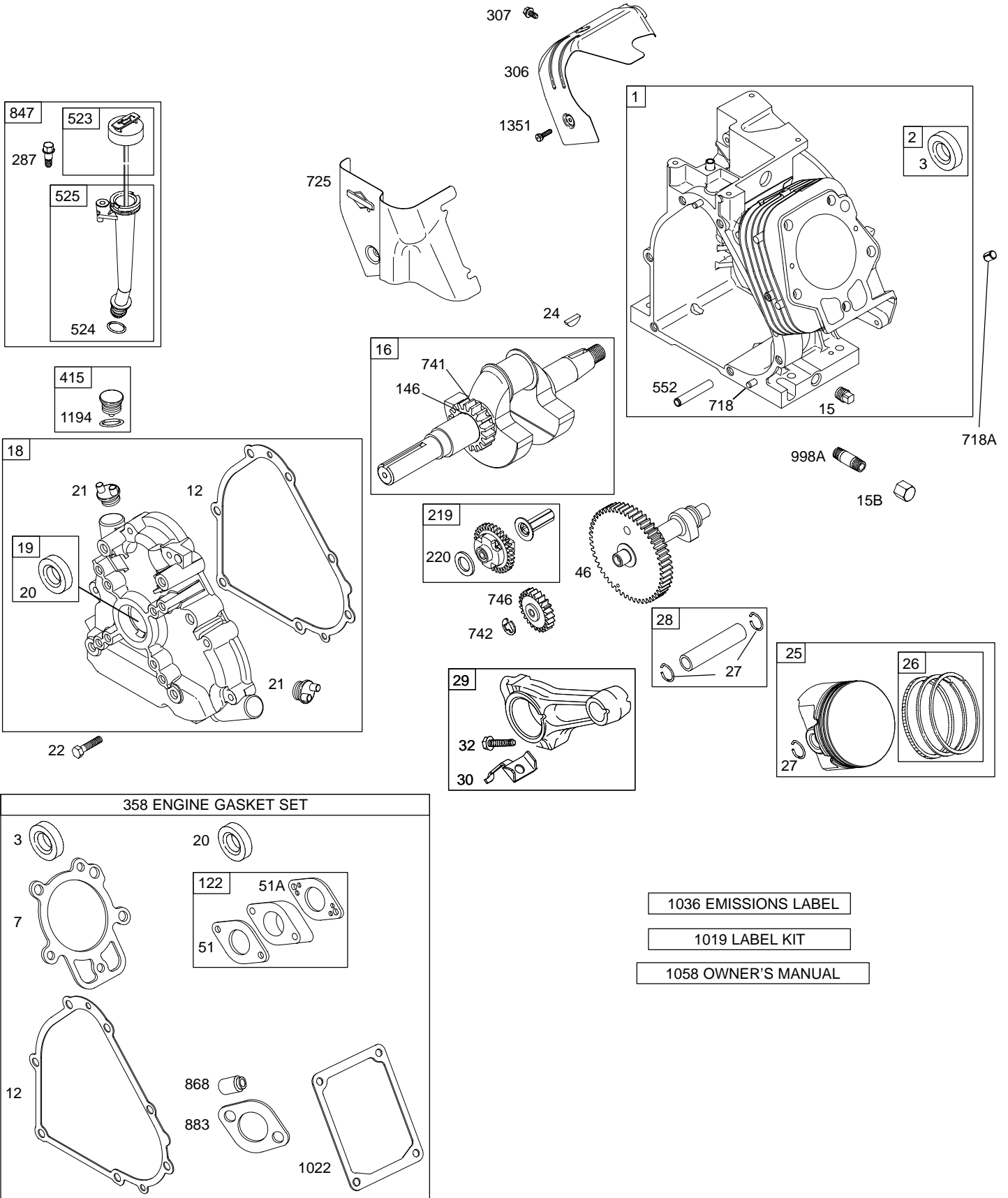
Air Cleaner	6
Alternator	10
Blower Housing/Shrouds	7
Cams	2
Carburetor	4
Carburetor	5
Controls	8
Crankcase Cover/Sump	2
Crankshaft	2
Cylinder	2
Electric Starter	9
Flywheel	7
Fuel Tank	8
Governor Spring	8
Head/Valves	3
Ignition	10
Kit/Gasket Sets - Carburetor	5
Kit/Gasket Sets - Engine	2
Kit/Gasket Sets - Valves	3
Muffler	6
Oil	2
Piston Group	2
Rewind	7

PRINTED IN U.S.A.

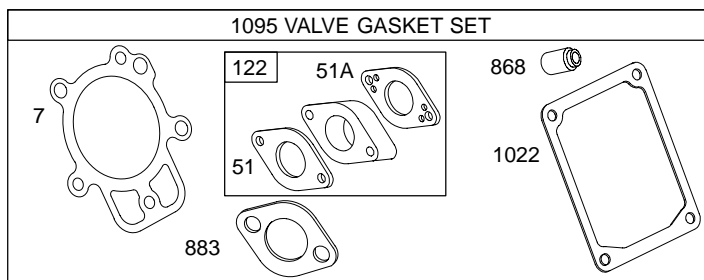
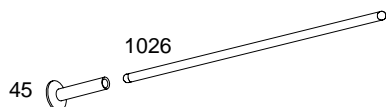
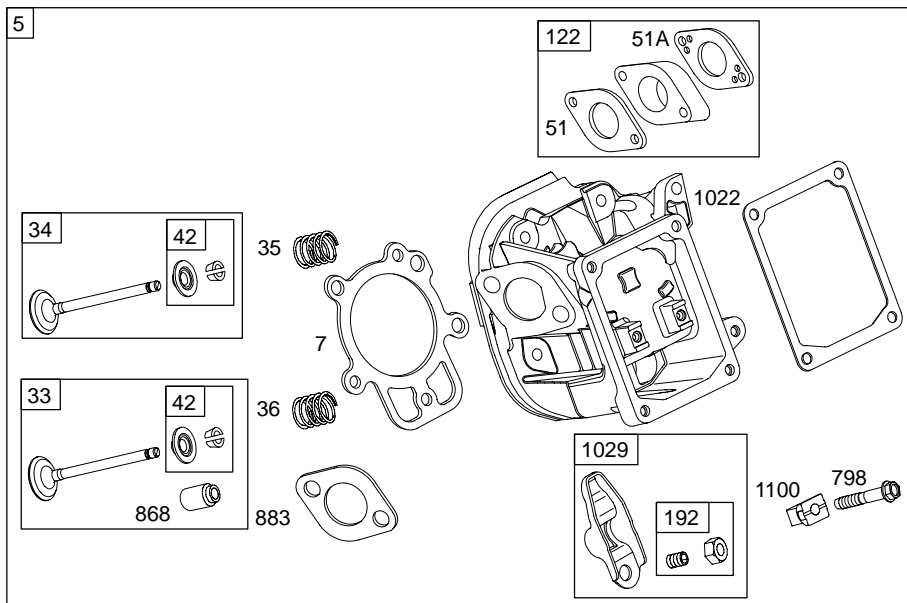
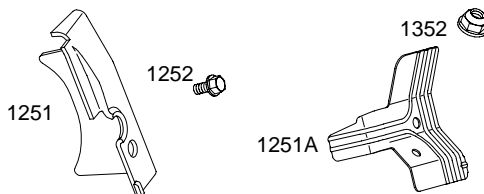


COPYRIGHT by BRIGGS & STRATTON CORPORATION
All rights reserved. No part of this material may be reproduced or transmitted,
in any form or by any means, electronic or mechanical, including photocopying,
recording or by any information storage and retrieval system, without permission
in writing from Briggs & Stratton Corporation.

21A100

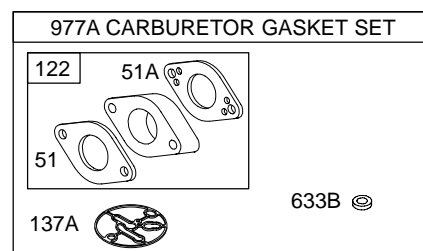
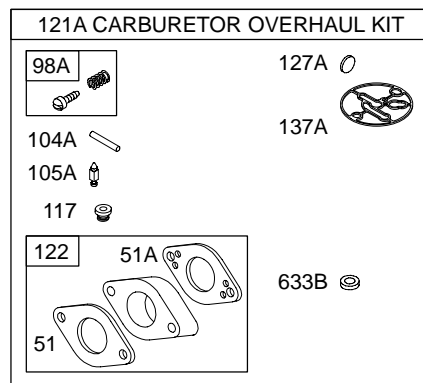
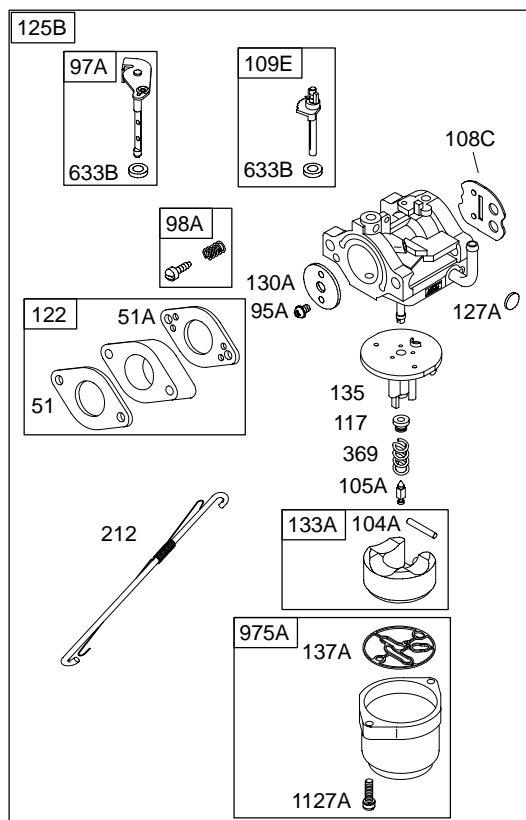


Illustrations cover a range of engines. Parts shown without corresponding text are not used on this engine.

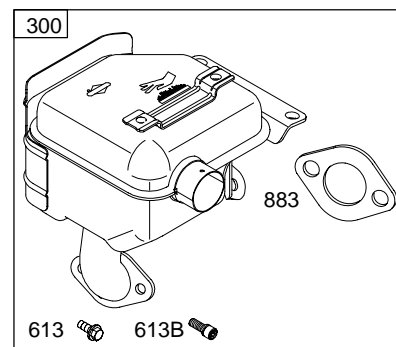
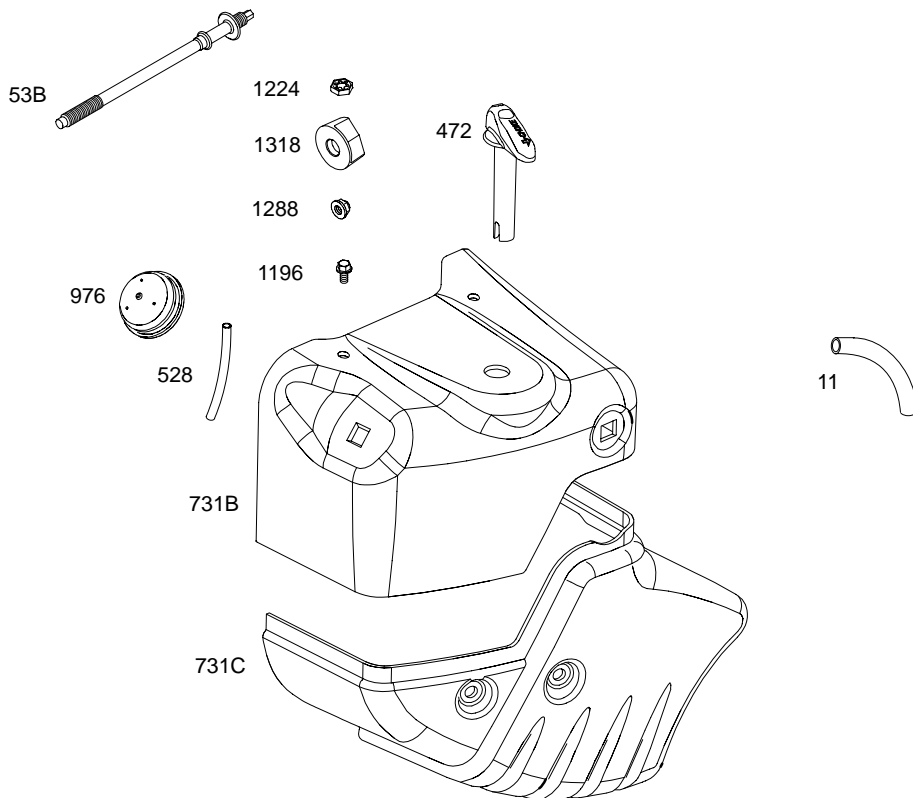


Illustrations cover a range of engines. Parts shown without corresponding text are not used on this engine.

21A100



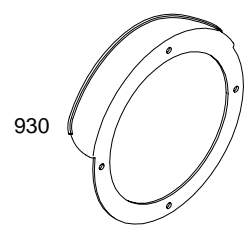
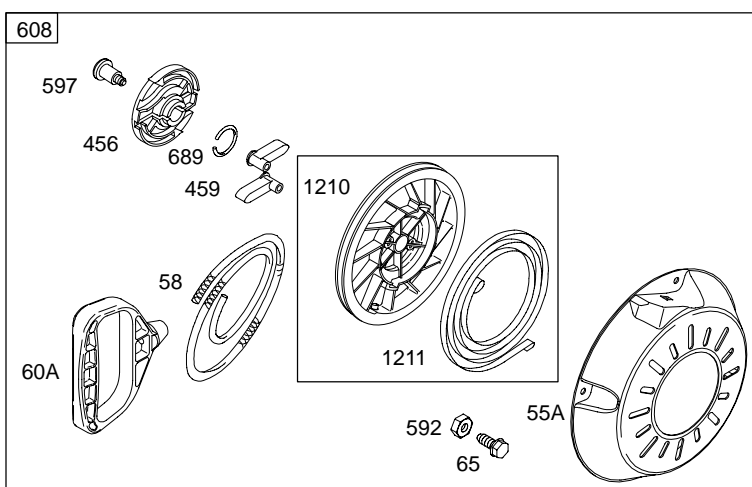
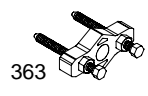
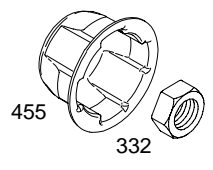
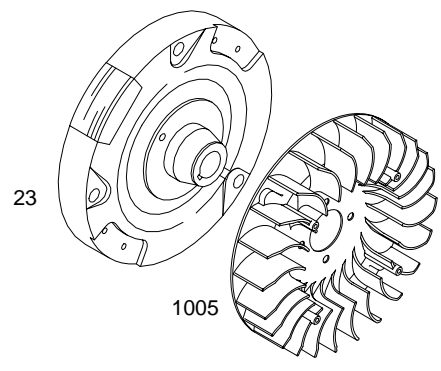
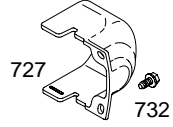
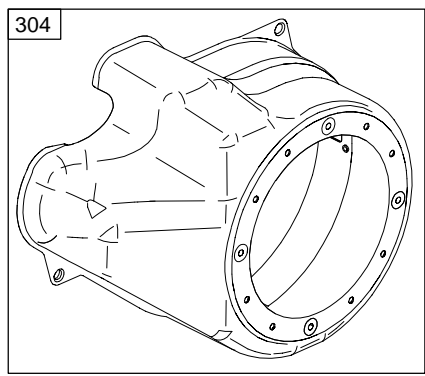
Illustrations cover a range of engines. Parts shown without corresponding text are not used on this engine.



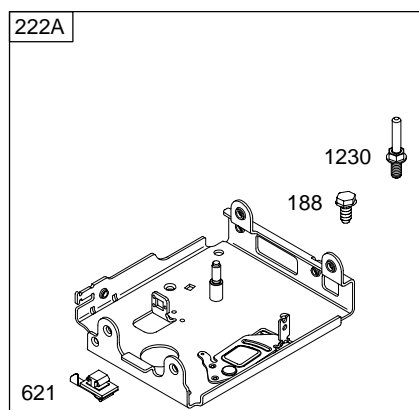
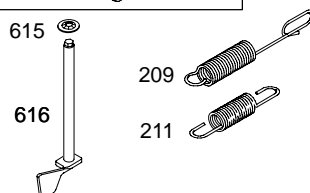
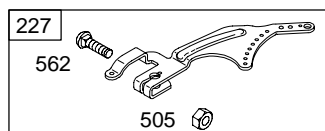
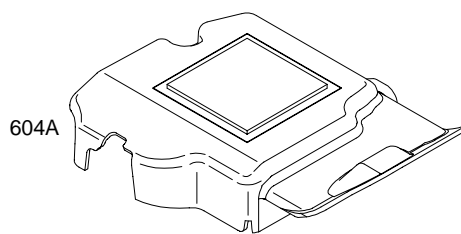
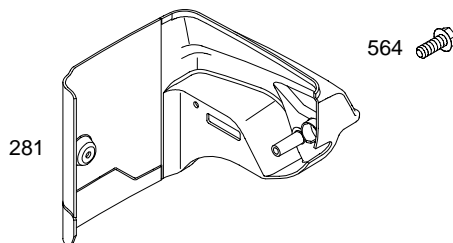
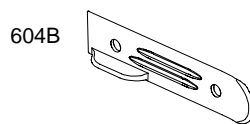
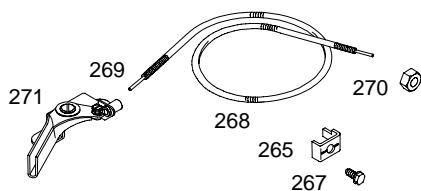
Illustrations cover a range of engines. Parts shown without corresponding text are not used on this engine.

21A100



1036 EMISSION LABEL




Illustrations cover a range of engines. Parts shown without corresponding text are not used on this engine.
6763-6 Assemblies include all parts shown in frames. 4/19/2004

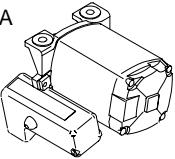


Illustrations cover a range of engines. Parts shown without corresponding text are not used on this engine.


DUAL CIRCUIT	
474B	
	

NOTE: All stators use a No. 1119 mounting screw. 


NOTE: The proper flywheel part number and/or the alternator magnet size will determine the alternator type or output. See repair instruction manual for additional information.



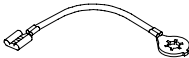
309A




697



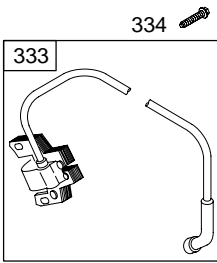
356



853

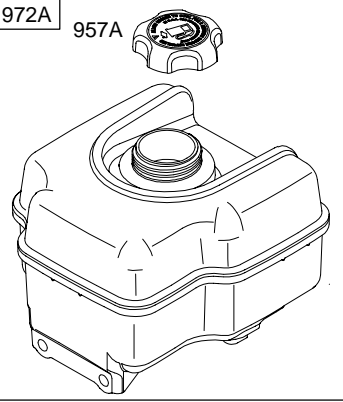


347



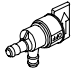
333

334

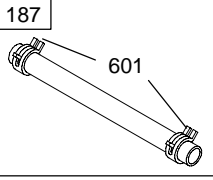


972A

957A

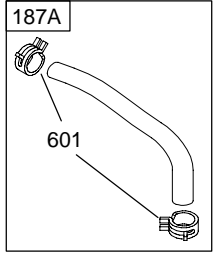


958



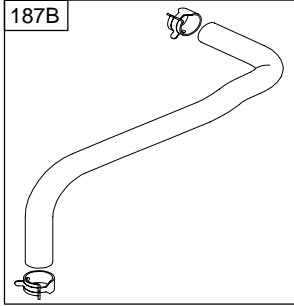
187

601




187A

601



187B

190 

REF. NO.	PART NO.	DESCRIPTION	REF. NO.	PART NO.	DESCRIPTION	REF. NO.	PART NO.	DESCRIPTION
1	695464	Cylinder Assembly ----- Note ----- 697702 Cylinder Assembly Used on Type No(s). 0017, 0254.	25A	695457	Piston Assembly (Standard) ----- Note ----- 695458 Piston Assembly (.010" Oversize) 695459 Piston Assembly (.020" Oversize) 695460 Piston Assembly (.030" Oversize)	45	690977	Tappet-Valve
2	698340	Kit-Bushing/Seal (Magneto Side)				46	699943	Camshaft
3	★391086	Seal-Oil (Magneto Side)				51	★△◆694874	Gasket-Intake
5	697233	Head-Cylinder				51A	★△◆694875	Gasket-Intake
7	★△697690	Gasket-Cylinder Head				53B	696753	Stud (Carburetor)
11B	696750	Tube-Breather	26	694004	Ring Set (Standard) ----- Note ----- 694006 Ring Set (.010" Oversize) 694008 Ring Set (.020" Oversize) 694010 Ring Set (.030" Oversize)	55A	696710	Housing-Rewind Starter
12	★694953	Gasket-Crankcase				58	693389	Rope-Starter (Cut To Required Length)
13	690360	Screw (Cylinder Head)				60A	695740	Grip-Starter Rope
15	691686	Plug-Oil Drain				65	697725	Screw (Rewind Starter)
15B	695757	Plug-Oil Drain				95A	690718	Screw (Throttle Valve)
16	695369	Crankshaft ----- Note ----- 695462 Crankshaft Used on Type No(s). 0007.	27	690975	Lock-Piston Pin	97A	696387	Shaft-Throttle
18	696914	Cover-Crankcase	28	690229	Pin-Piston	98A	◆695408	Kit-Idle Speed
19	698340	Kit-Bushing/Seal (PTO Side)	29	694691	Rod-Connecting	104A	◆694918	Pin-Float Hinge
20	★391086	Seal-Oil (PTO Side)	30	694692	Dipper-Connecting Rod	105A	◆696136	Valve-Float Needle
21	281658	Cap-Oil Fill	32	690976	Screw (Connecting Rod)	108C	696736	Valve-Choke
22	695174	Screw (Crankcase-Cover/ Sump)	33	499596	Valve-Exhaust	109E	696735	Shaft-Choke
23	695485	Flywheel	34	697464	Valve-Intake	117	◆696134	Jet-Main (Standard)
24	222698	Key-Flywheel	35	694865	Spring-Valve (Intake)	118	696135	Jet-Main (High Altitude)
			36	694865	Spring-Valve (Exhaust)	121A	696146	Kit-Carburetor Overhaul (Nikki Carburetor)
			37	699047	Guard-Flywheel	122	★△◆694876	Spacer-Carburetor
			42	499586	Keeper-Valve	125B	696737	Carburetor
						127A	◆690727	Plug-Welch
						130A	696139	Valve-Throttle
						133A	694914	Float-Carburetor
						135	696142	Tube-Fuel Transfer
						137A	◆◆695426	Gasket-Float Bowl

★ Included in Engine Gasket Set-Ref. No.358.

● Included in Carburetor Overhaul Kit-Ref. No. 121 & 121A.

◆ Included in Carburetor Gasket Set-Ref. No. 977 & 977A.

△ Included in Valve Gasket Set-Ref. No 1095.

Illustrations cover a range of engines. Parts shown without corresponding text are not used on this engine.

21A100

REF. NO.	PART NO.	DESCRIPTION	REF. NO.	PART NO.	DESCRIPTION	REF. NO.	PART NO.	DESCRIPTION
146	690979	Key - Timing	270	691027	Nut (Control Wire Casing)	459	281505	Pawl - Ratchet
187	691050	Line - Fuel (Cut to Required Length)	271	695381	Lever - Control	472	790472	Knob - Choke Shaft
187A	695429	Line - Fuel	281	697268	Panel - Control	474	696742	Alternator
187B	698080	Line - Fuel Used on Type No(s). 0017, 0254.	287	691693	Screw (Dipstick Tube)	505	691251	Nut (Governor Control Lever)
188	690877	Screw (Control Bracket)	300	698295	Muffler	514	696692	Screw (Casing Clamp)
190	692127	Screw (Fuel Tank)	304	697469	Housing - Blower	523	790477	Dipstick
192	690083	Adjuster - Rocker Arm	305	691108	Screw (Blower Housing)	524	691876	Seal - O Ring (Dipstick Tube)
209	695491	Spring - Governor	306	697240	Shield - Cylinder	525	790478	Tube - Dipstick
211	695307	Spring - Governor Idle	307	691660	Screw (Cylinder Shield)	528	696751	Hose - Primer
212	695917	Link - Throttle (Used With Nikki Carburetor)	309A	698112	Motor - Starter Used on Type No(s). 0017, 0254.	552	694674	Bushing - Governor Crank
219	693578	Gear - Governor	332	694685	Nut (Flywheel)	562	691119	Bolt (Governor Control Lever)
220	691724	Washer (Governor Gear)	333	715231	Armature - Magneto	564	790282	Screw (Control Cover)
222A	694866	Bracket - Control	334	691061	Screw (Magneto Armature)	592	690800	Nut (Rewind Starter)
227	694864	Lever - Governor Control	337	491055	Plug - Spark	597	691696	Screw (Friction Plate)
265	691024	Clamp - Casing	347	698338	Screw (Starter Shield)	601	95162	Clamp - Hose
267	692577	Screw (Casing Clamp)	356	692603	Wire - Stop	604A	790473	Cover - Control
268	691025	Casing - Control Wire (Cut to Required Length)	358	695438	Gasket Set - Engine	604B	282923	Cover - Control
269	691026	Wire - Control (Cut to Required Length)	369	695422	Spring - Float Bowl	608	699375	Starter - Rewind
			383	19374	Wrench - Spark Plug	613	695312	Screw (Muffler)
			415	691363	Plug	613B	696705	Screw (Muffler)
			455	697226	Cup - Flywheel			
			456	692299	Plate - Pawl Friction			

★ Included in Engine Gasket Set - Ref. No. 358.

● Included in Carburetor Overhaul Kit - Ref. No. 121 & 121A.

◆ Included in Carburetor Gasket Set - Ref. No. 977 & 977A.

△ Included in Valve Gasket Set - Ref. No. 1095.

Illustrations cover a range of engines. Parts shown without corresponding text are not used on this engine.

6763-10

Assemblies include all parts shown in frames.

4/19/2004

REF. NO.	PART NO.	DESCRIPTION	REF. NO.	PART NO.	DESCRIPTION	REF. NO.	PART NO.	DESCRIPTION
615	694676	Retainer-Governor Shaft	914	693732	Screw (Rocker Cover)	1171	696754	Stud (Rocker Cover)
616	694675	Crank-Governor	930	696709	Guard-Rewind	1194	691876	Seal-O Ring (Plug)
621	692310	Switch-Stop	957A	695737	Cap-Fuel Tank (Plastic)	1196	696685	Screw (Snow Hood)
633B	◆690998	Seal-Choke/Throttle Shaft	958	692586	Valve-Fuel Shut Off (Plastic)	1210	498144	Pulley/Spring Assembly (Pulley)
635	710901	Boot-Spark Plug	972A	695736	Tank-Fuel (Plastic)	1211	498144	Pulley/Spring Assembly (Spring)
697	698113	Screw (Drive Cap)	975A	696138	Bowl-Float	1224	696824	Nut (Carburetor Primer)
718	690959	Pin-Locating (Cylinder)	976	695750	Primer-Carburetor	1230	696747	Stud (Control Bracket)
718A	695178	Pin-Locating (Head)	977A	◆696147	Gasket Set-Carburetor (Used With Nikki Carburetor)	1251	696762	Shield-Snow
725	696756	Shield-Heat	998A	696683	Pipe-Oil	1251A	790471	Shield-Snow
727	697465	Cover-Starter Drive	1005	694684	Fan-Flywheel	1252	696763	Screw (Snow Shield)
731B	790470	Hood-Snow	1019	790459	Kit-Label	1288	696757	Nut (Snow Hood)
731C	790454	Hood-Snow	1022	★△690971	Gasket-Rocker Cover	1318	698111	Knob-Snow Hood
732	691097	Screw (Starter Drive Cover)	1023A	698042	Cover-Rocker Arm	1330	272147	Repair Manual
741	691288	Gear-Timing	1026	695177	Rod-Push	1351	790017	Screw (Cylinder Shield)
742	692564	Retainer-E Ring	1029	690972	Arm-Rocker	1352	790026	Nut (Spark Plug Shield)
746	694679	Gear-Idler	1036	790466	Label-Emission			
798	697890	Screw (Rocker Arm)	1058	275697	Owner's Manual			
847	790476	Dipstick/Tube Assembly	1070	691058	Screw (Flywheel Fan)			
853	790455	Adapter-Wire	1095	695440	Gasket Set-Valve			
868	★△690968	Seal-Valve	1100	690973	Pivot-Rocker Arm			
877	393456	Wire/Connector-Alternator	1119	691183	Screw (Alternator)			
878	710417	Harness-Alternator	1127A	695407	Screw (Float Bowl)			
883	695398	Gasket-Exhaust			(Control Bracket)			

★ Included in Engine Gasket Set-Ref. No.358.

● Included in Carburetor Overhaul Kit-Ref. No. 121 & 121A.

◆ Included in Carburetor Gasket Set-Ref. No. 977 & 977A.

△ Included in Valve Gasket Set-Ref. No 1095.

Illustrations cover a range of engines. Parts shown without corresponding text are not used on this engine.