



Illustrated Parts List

Model Series

21A800

TYPE NUMBERS
0116 through 0333.

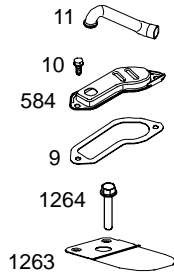
TABLE OF CONTENTS

Air Cleaner	6
Alternator	9
Blower Housing	6
Camshaft	3
Carburetor	5
Controls	8
Crankshaft	3
Cylinder	2
Cylinder Head	4
Electric Starter	7
Engine Sump	2
Exhaust System	6
Flywheel	7
Fuel Supply	8
Gasket Set – Engine	4
Gasket Set – Valve	4
Governor Spring	8
Ignition	8
Intake Manifold	8
Kit – Carburetor Overhaul	5
Lubrication	3
Piston, Rings, Connecting Rod	3
Valves	4

PRINTED IN U.S.A.



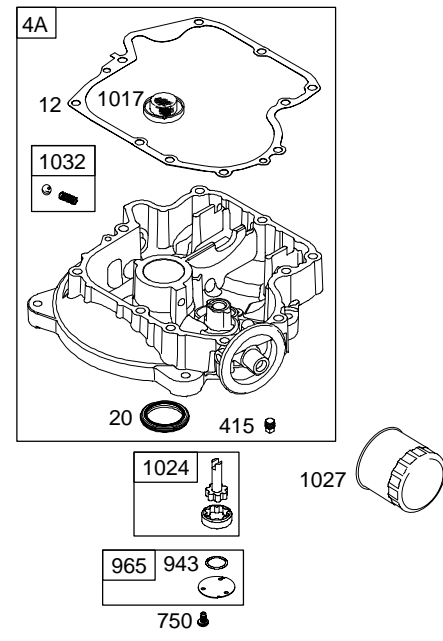
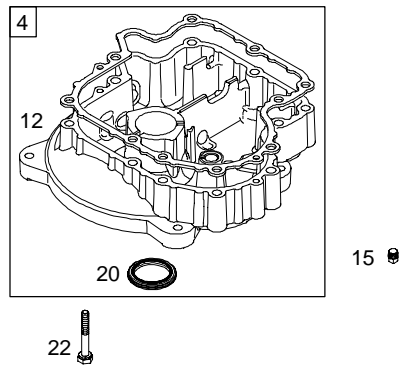
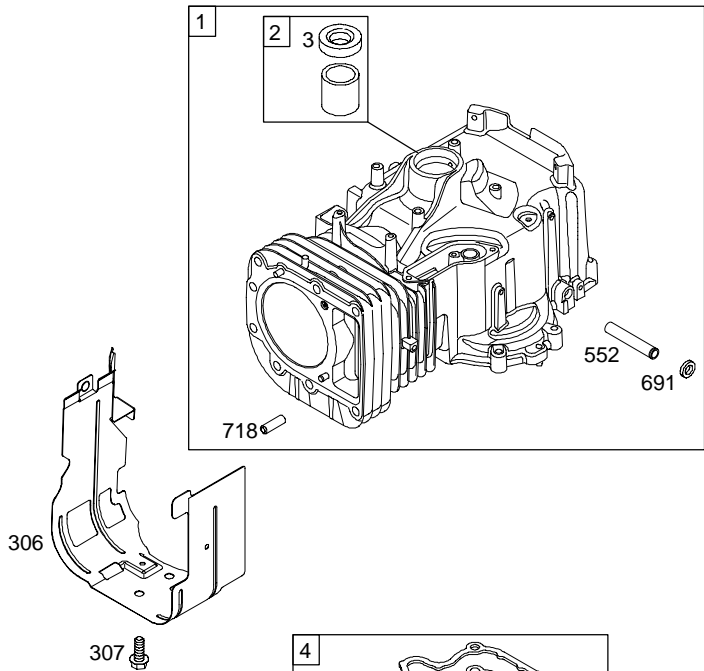
COPYRIGHT by BRIGGS & STRATTON CORPORATION
All rights reserved. No part of this material may be reproduced or transmitted, in any form or by any means, electronic or mechanical, including photocopying, recording or by any information storage and retrieval system, without permission in writing from Briggs & Stratton Corporation.



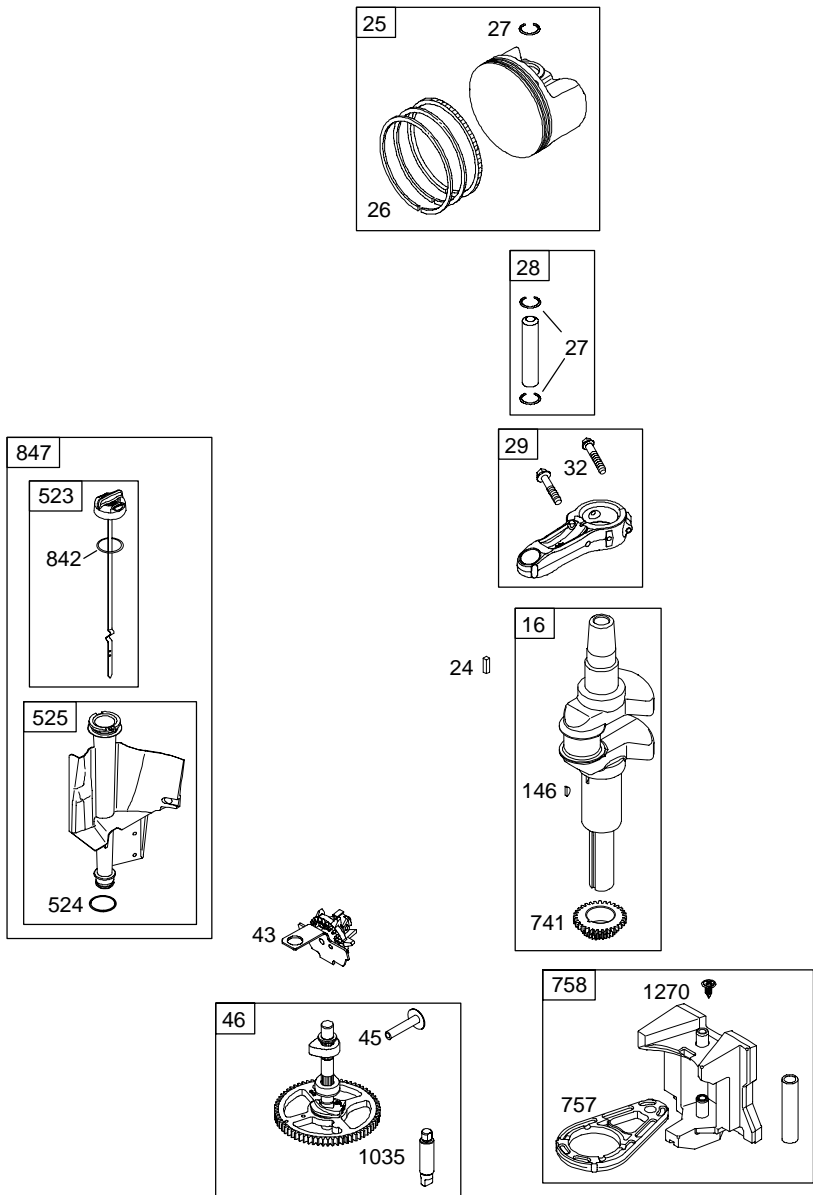
1019 LABEL KIT

1058 OWNER'S MANUAL

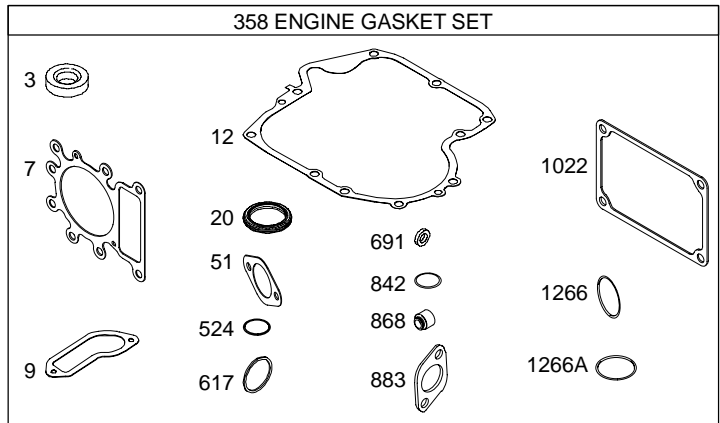
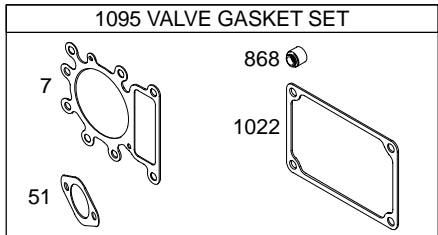
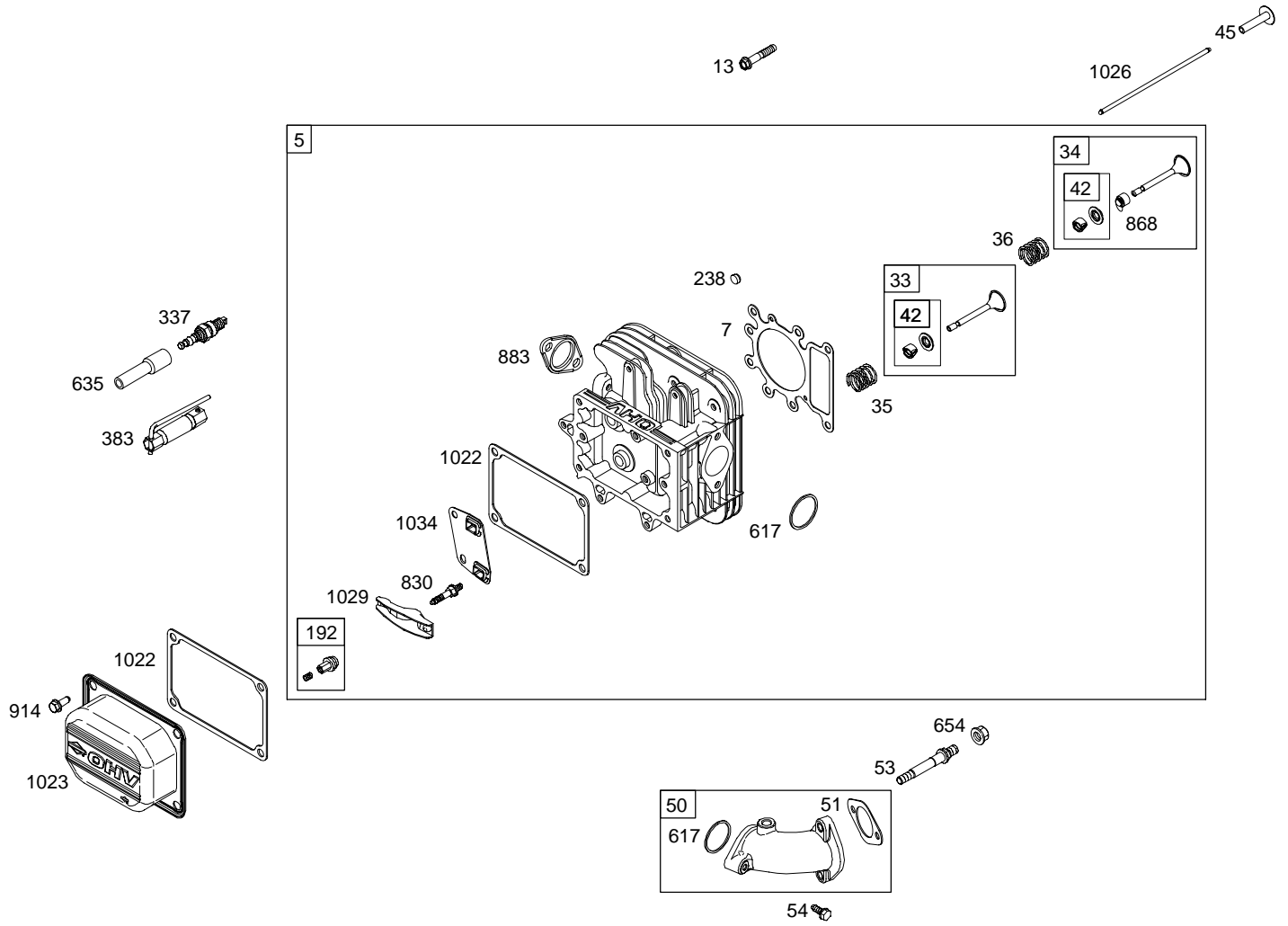
1330 REPAIR MANUAL



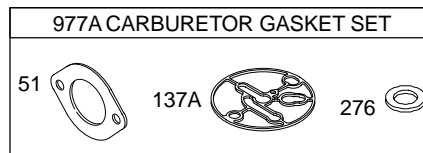
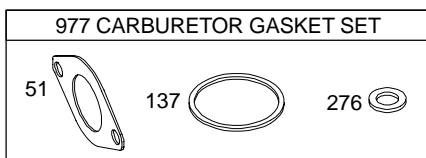
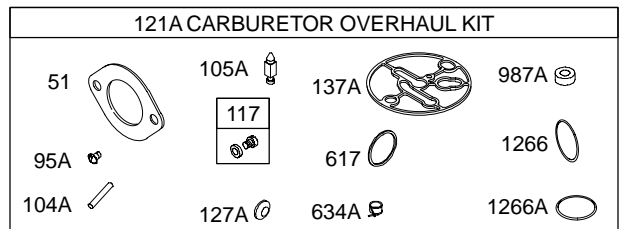
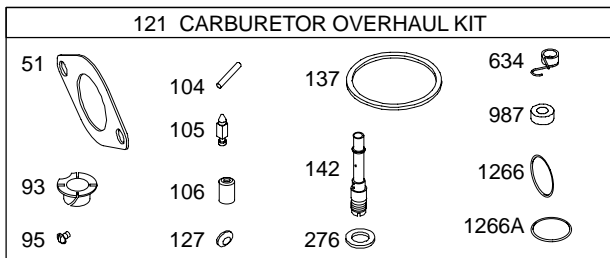
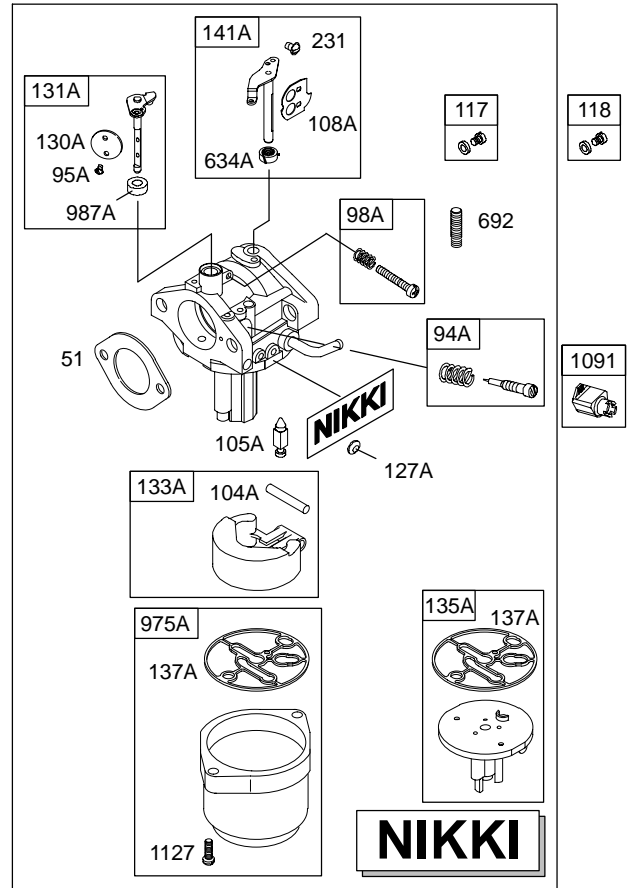
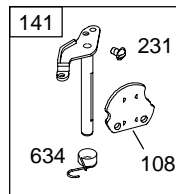
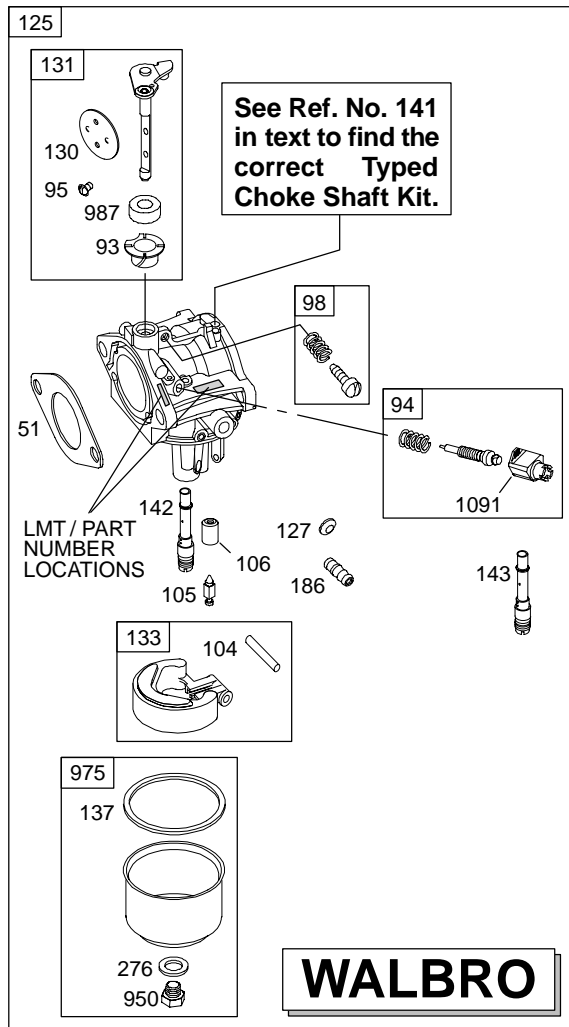
Illustrations cover a range of engines. Parts shown without corresponding text may not be used on your specific engine.
5501-2 Assemblies include all parts shown in frames. 01/12/2005



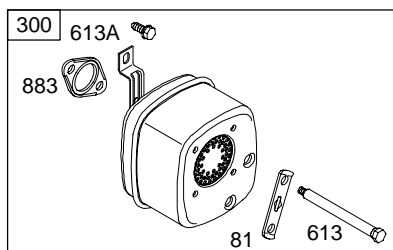
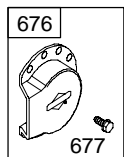
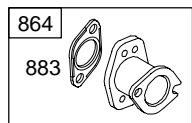
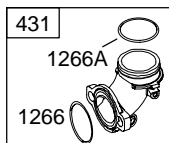
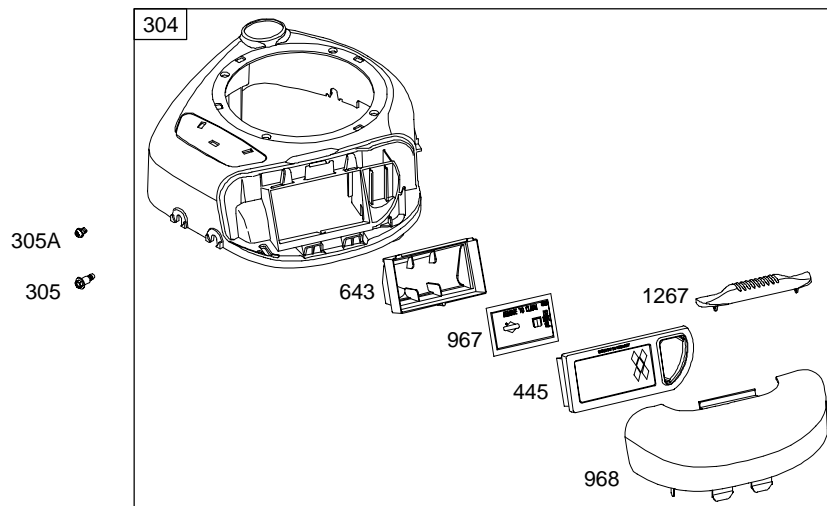
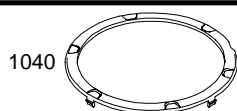
Illustrations cover a range of engines. Parts shown without corresponding text may not be used on your specific engine.
 5501-3 Assemblies include all parts shown in frames.



Illustrations cover a range of engines. Parts shown without corresponding text may not be used on your specific engine.



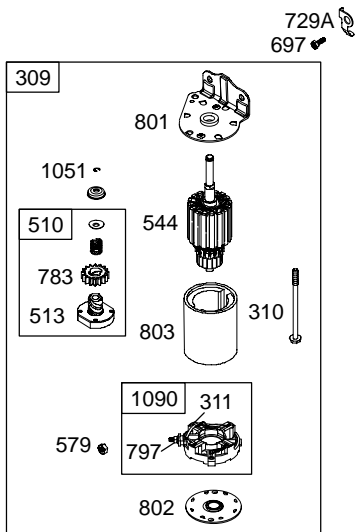
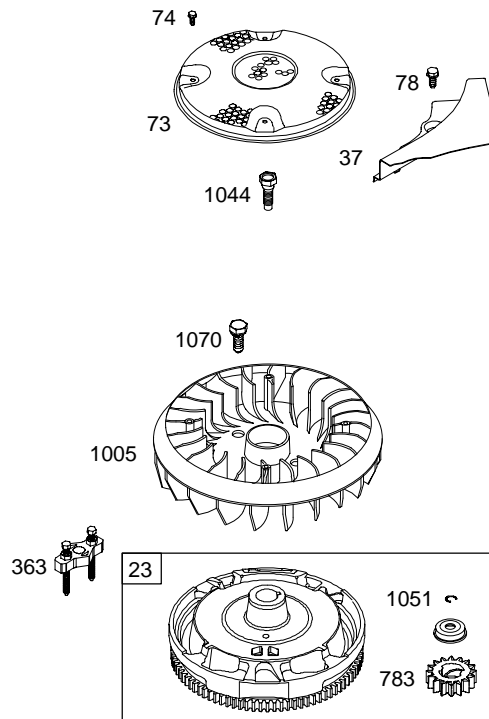
Illustrations cover a range of engines. Parts shown without corresponding text may not be used on your specific engine.



Illustrations cover a range of engines. Parts shown without corresponding text may not be used on your specific engine.
5501-6

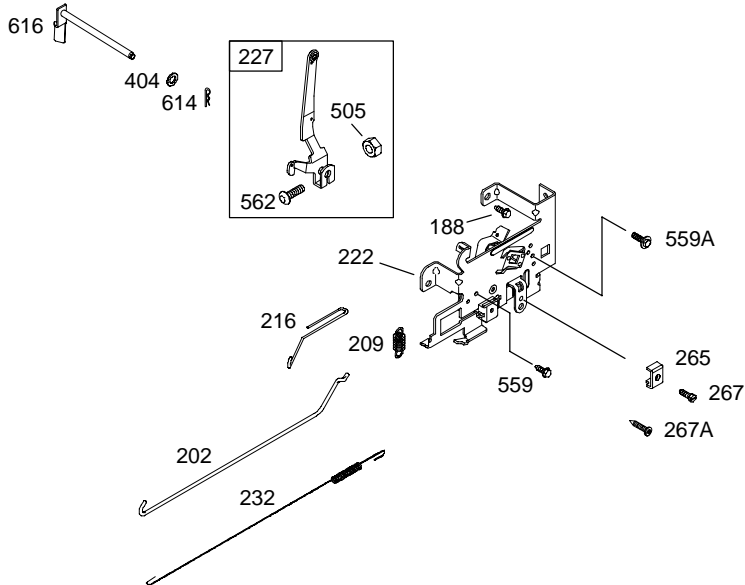
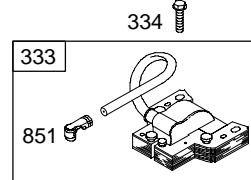
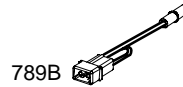
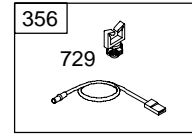
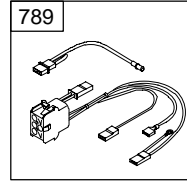
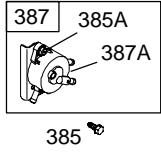
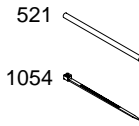
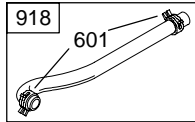
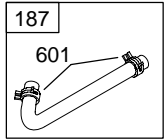
Assemblies include all parts shown in frames.

01/12/2005





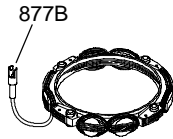
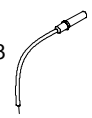

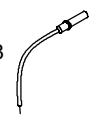


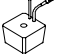
Illustrations cover a range of engines. Parts shown without corresponding text may not be used on your specific engine.
 5501-7 Assemblies include all parts shown in frames. 01/12/2005

21A800



Illustrations cover a range of engines. Parts shown without corresponding text may not be used on your specific engine.
5501-8 Assemblies include all parts shown in frames.

01/12/2005

DC ONLY	DUAL CIRCUIT	5 – 9 AMP
<div data-bbox="662 233 722 260" style="border: 1px solid black; padding: 2px;">474A</div> <div data-bbox="706 283 812 420">  <p>877A</p> </div>	<div data-bbox="846 233 906 260" style="border: 1px solid black; padding: 2px;">474B</div> <div data-bbox="860 283 1031 420">  <p>877</p> </div>	<div data-bbox="1052 233 1112 260" style="border: 1px solid black; padding: 2px;">474C</div> <div data-bbox="1063 283 1234 420">  <p>877B</p> </div>
<div data-bbox="690 535 722 556">578</div> <div data-bbox="722 493 812 609">  </div>	<div data-bbox="901 535 933 556">878</div> <div data-bbox="933 514 990 577">  </div>	<div data-bbox="1096 535 1128 556">578</div> <div data-bbox="1128 493 1218 609">  </div>
<p>NOTE: All stators use a No. 1119 mounting screw. </p> <p>NOTE: The proper flywheel part number and/or the alternator magnet size will determine the alternator type or output. See repair instruction manual for additional information.</p>		<div data-bbox="1112 651 1177 682">526A</div> <div data-bbox="1177 651 1218 703">  </div> <div data-bbox="1096 724 1161 745">501A</div> <div data-bbox="1161 703 1218 756">  </div>

729B 

21A800

REF. NO.	PART NO.	DESCRIPTION	REF. NO.	PART NO.	DESCRIPTION	REF. NO.	PART NO.	DESCRIPTION
1	697377	Cylinder Assembly	24	222698	Key-Flywheel	54	691148	Screw (Intake Manifold)
2	399265	Kit-Bushing/Seal (Magneto Side)	25	698767	Piston Assembly (Standard)	73	697133	Screen-Rotating (Used After Code Date 03031600)
3	★391086	Seal-Oil (Magneto Side)			Note			
4	697106	Sump-Engine			698769 Piston Assembly (.020" Oversize)			Note
4A	697188	Sump-Engine Used on Type No(s). 0121.			698371 Piston Assembly (Standard)			697384 Screen-Rotating (Used Before Code Date 03031700)
5	697396	Head-Cylinder			Used on Type No(s). 0119, 0121.	74	697897	Screw (Rotating Screen)
7	★Δ273280	Gasket-Cylinder Head			698394 Piston Assembly (.020" Oversize)	78	691003	Screw (Flywheel Guard)
9	★697109	Gasket-Breather			Used on Type No(s). 0119, 0121.	81	691178	Lock-Muffler Screw
10	697157	Screw (Breather Assembly)			698375 Ring Set (Standard)	93	●690602	Bushing-Throttle Shaft
11	697113	Tube-Breather			Note	94	498030	Kit-Idle Mixture
12	★697110	Gasket-Crankcase (.015" Thick)(Standard)	26	698375	Ring Set (Standard)	94A	695425	Kit-Idle Mixture
13	690360	Screw (Cylinder Head)			698376 Ring Set (.010" Oversize)	95	●691636	Screw (Throttle Valve)
15	690946	Plug-Oil Drain (3/8" Standard)			698377 Ring Set (.020" Oversize)	95A	●690718	Screw (Throttle Valve)
16	698382	Crankshaft Used on Type No(s). 0116, 0118, 0163, 0214, 0215, 0236, 0238, 0241, 0285, 0333.			698378 Ring Set (.030" Oversize)	98	495800	Kit-Idle Speed
		Note	27	698469	Lock-Piston Pin	98A	695408	Kit-Idle Speed
		697390 Crankshaft Used on Type No(s). 0119, 0121.	28	697099	Pin-Piston	104	●690525	Pin-Float Hinge
20	★690947	Seal-Oil (PTO Side)	29	697364	Rod-Connecting (Standard)	104A	●694918	Pin-Float Hinge
22	692125	Screw (Crankcase Cover/Sump)			Note	105	●231855	Valve-Float Needle
23	698281	Flywheel Used on Type No(s). 0163, 0214, 0215, 0238, 0241, 0285, 0333.			697262 Rod-Connecting (.020" Undersize)	105A	●696136	Valve-Float Needle
		Note	32	692852	Screw (Connecting Rod)	106	●690577	Seat-Inlet (Gravity Feed) Used on Type No(s). 0118, 0119, 0121, 0163, 0214, 0215, 0236, 0238, 0241, 0285, 0333.
		790922 Flywheel (Painted Flywheel) Used on Type No(s). 0118, 0119, 0121, 0236.	33	695760	Valve-Exhaust			Note
		698282 Flywheel Used on Type No(s). 0116.	34	695761	Valve-Intake			●691780 Seat-Inlet (Pump Feed) Used on Type No(s). 0116.
			35	691279	Spring-Valve (Intake)	108	691227	Valve-Choke
			36	691279	Spring-Valve (Exhaust)	108A	698773	Valve-Choke
			37	697352	Guard-Flywheel	117	●699897	Jet-Main (Standard)
			42	499586	Keeper-Valve	118	699898	Jet-Main (High Altitude)
			43	691968	Slinger-Governor/Oil	121	790031	Kit-Carburetor Overhaul (Walbro)
			45	690564	Tappet-Valve			
			50	697361	Manifold-Intake			
			51★Δ●	692137	Gasket-Intake			
			53	690227	Stud (Carburetor)			

★ Included in Engine Gasket Set-Ref. No.358.

● Included in Carburetor Overhaul Kit-Ref. No. 121 or 121A.

◆ Included in Carburetor Gasket Set-Ref. No. 977 or 977A.

Δ Included in Valve Gasket Set-Ref. No 1095.

Illustrations cover a range of engines. Parts shown without corresponding text may not be used on your specific engine.

REF. NO.	PART NO.	DESCRIPTION	REF. NO.	PART NO.	DESCRIPTION	REF. NO.	PART NO.	DESCRIPTION
121A	698787	Kit-Carburetor Overhaul (Nikki)	192	691986	Adjuster-Rocker Arm	276	◆692255	Washer-Sealing
125	790019	Carburetor (Gravity Feed)	202	691841	Link-Mechanical Governor	300	697048	Muffler (Lo Tone) Used on Type No(s). 0116, 0121.
		Note	209	692208	Spring-Governor (Green) Used on Type No(s). 0118, 0119, 0163.	304	698473	Housing-Blower (Black) Used on Type No(s). 0116, 0163.
		790020 Carburetor (Pump Feed) Used on Type No(s). 0116.			Note			
127	◆694524	Plug-Welch			690480 Spring-Governor (Red) Used on Type No(s). 0116, 0121, 0214, 0236, 0238, 0241, 0285.			699085 Housing-Blower (Red) Used on Type No(s). 0118, 0119, 0121, 0214, 0215, 0236, 0238, 0241, 0285, 0333.
127A	◆690727	Plug-Welch			690576 Spring-Governor (Gold) Used on Type No(s). 0215.	305	697102	Screw (Blower Housing)
130	790024	Valve-Throttle			260902 Spring-Governor Used on Type No(s). 0333.	305A	697103	Screw (Blower Housing)
130A	698774	Valve-Throttle			216 691840 Link-Choke	306	697359	Shield-Cylinder
131	790901	Kit-Throttle Shaft			222 694042 Bracket-Control	307	691003	Screw (Cylinder Shield)
131A	698776	Kit-Throttle Shaft			227 691374 Lever-Governor Control	309	693551	Motor-Starter
133	494381	Float-Carburetor			231 691636 Screw (Choke Valve)	310	690323	Screw (Starter Motor)
133A	694914	Float-Carburetor			232 691842 Spring-Governor Link	311	497608	Brush Set
135A	698780	Tube-Fuel Transfer			238 691843 Cap-Valve	333	492341	Armature-Magneto
137	◆281165	Gasket-Float Bowl			240 394358 Filter-Fuel (White, 75 Microns) Used on Type No(s). 0118, 0119, 0121, 0163, 0214, 0215, 0236, 0238, 0241, 0285, 0333.	334	691061	Screw (Magneto Armature)
137A	◆698781	Gasket-Float Bowl			240A 691035 Filter-Fuel (Clear, 40 Microns) Used on Type No(s). 0116.	337	491055	Plug-Spark Used on Type No(s). 0116, 0214, 0215, 0238, 0241, 0285, 0333.
141	790902	Kit-Choke Shaft			265 691024 Clamp-Casing			Note
141A	698778	Kit-Choke Shaft			267 690804 Screw (Casing Clamp) Used on Type No(s). 0116, 0118, 0119, 0121.			691043 Plug-Spark Used on Type No(s). 0118, 0119, 0121, 0163, 0236.
142	◆790025	Nozzle-Carburetor (Standard)			267A 695134 Screw (Casing Clamp) Used on Type No(s). 0163, 0214, 0215, 0236, 0238, 0285.	356	697397	Wire-Stop Used on Type No(s). 0118, 0121.
143	790028	Nozzle-Carburetor (High Altitude)						Note
146	691639	Key-Timing						690807 Wire-Stop Used on Type No(s). 0163.
186	698174	Connector-Hose (Straight)						
187	699331	Line-Fuel (Formed)(10-1/4 Inches Long)(Cut to Required Length)						
188	691693	Screw (Control Bracket)						

★ Included in Engine Gasket Set-Ref. No.358.

● Included in Carburetor Overhaul Kit-Ref. No. 121 or 121A.

◆ Included in Carburetor Gasket Set-Ref. No. 977 or977A.

△ Included in Valve Gasket Set-Ref. No 1095.

Illustrations cover a range of engines. Parts shown without corresponding text may not be used on your specific engine.

21A800

REF. NO.	PART NO.	DESCRIPTION	REF. NO.	PART NO.	DESCRIPTION	REF. NO.	PART NO.	DESCRIPTION
358	697151	Gasket Set—Engine	523	699908	Dipstick	634	●690802	Spring/Seal Assembly
363	19203	Puller—Flywheel	524	★691032	Seal—Dipstick Tube	634A	●698779	Spring/Seal Assembly
383	89838	Wrench—Spark Plug	525	697184	Tube—Dipstick	635	691909	Boot—Spark Plug
385	694476	Screw (Fuel Pump) Used on Type No(s). 0116.			———— Note ———— 697085 Tube—Dipstick Used on Type No(s). 0116.	643	697155	Retainer—Air Filter
385A	690297	Screw (Fuel Pump) Used on Type No(s). 0116.	526A	697088	Screw (Regulator)(5 To 9 Amp Regulated) Used on Type No(s). 0116.	654	690958	Nut (Carburetor)
387	697090	Pump—Fuel (Includes Mounting Bracket) Used on Type No(s). 0116.				676	396903	Deflector—Muffler
387A	808656	Pump—Fuel Used on Type No(s). 0116.	527	698467	Clamp—Tube Used on Type No(s). 0236, 0238.	677	690661	Screw (Muffler Deflector)
404	691691	Washer (Governor Crank)	544	692034	Armature—Starter	691	★692407	Seal—Governor Shaft
415	690283	Plug	552	697144	Bushing—Governor Crank	692	691301	Spring—Detent Used on Type No(s). 0116.
431	697122	Elbow—Intake	559	697561	Screw (Remote Choke Stop)(Assemble Remote/Manual Choke Stop Screw in "R" Hole) Used on Type No(s). 0236, 0333.	697	690372	Screw (Drive Cap)
445	698413	Filter—Air Cleaner Cartridge (Non Washable)				718	690959	Pin—Locating
474A	696578	Alternator (DC Only) Used on Type No(s). 0121.	559A	693675	Screw (Remote Choke Stop)(Assemble Speed Limiter Screw in Number "2" Hole) Used on Type No(s). 0236, 0238.	729	691335	Clip—Wire (Wire Retainer)
474B	696459	Alternator (Dual Circuit) Used on Type No(s). 0118, 0119, 0163, 0214, 0215, 0236, 0238, 0241, 0285, 0333.				729A	691224	Clip—Wire (Starter Motor)
474C	696457	Alternator (5 To 9 Amp Regulated) Used on Type No(s). 0116.	562	691119	Bolt (Governor Control Lever)	729B	694123	Clip—Wire (Regulator)
501A	691188	Regulator (5 To 9 Amp Regulated) Used on Type No(s). 0116.	578	692306	Wire Assembly Used on Type No(s). 0116, 0121.	741	697128	Gear—Timing
505	691251	Nut (Governor Control Lever)	579	691029	Nut (Starter Cable)	750	790832	Screw (Oil Pump Cover)
510	693699	Drive—Starter	584	697112	Cover—Breather Passage	757	697607	Link—Counterweight
513	692024	Clutch—Drive	601	95162	Clamp—Hose (Zinc Plate)(Spring Wire)	758	697391	Counterweight
521	690581	Shield—Cable Used on Type No(s). 0121, 0214, 0215, 0241, 0333.	613	691416	Screw (Muffler)	783	693713	Gear—Pinion
			613A	691678	Screw (Muffler)	789	698329	Harness—Wiring Used on Type No(s). 0116, 0119, 0214, 0215, 0236, 0238, 0241, 0285, 0333.
			614	691620	Pin—Cotter	789B	790544	Harness—Wiring Used on Type No(s). 0116.
			616	692012	Crank—Governor	797	693167	Nut (Brush Retainer)
			617	★692138	Seal—O Ring (Intake Manifold)	801	691283	Cap—Drive
						802	691286	Cap—End
						803	693757	Housing—Starter
						823	698941	Screw (Muffler Adapter)
						830	691095	Stud—Rocker Arm
						842	★691031	Seal—O Ring (Dipstick Tube)
						847	790442	Dipstick/Tube Assembly ———— Note ———— 790443 Dipstick/Tube Assembly Used on Type No(s). 0116.

★ Included in Engine Gasket Set—Ref. No.358.

● Included in Carburetor Overhaul Kit—Ref. No. 121 or 121A.

◆ Included in Carburetor Gasket Set—Ref. No. 977 or 977A.

△ Included in Valve Gasket Set—Ref. No 1095.

Illustrations cover a range of engines. Parts shown without corresponding text may not be used on your specific engine.

REF. NO.	PART NO.	DESCRIPTION	REF. NO.	PART NO.	DESCRIPTION	REF. NO.	PART NO.	DESCRIPTION
851	692424	Terminal–Spark Plug	975	495933	Bowl–Float	1040	698368	Plate–Trim
864	697346	Adapter–Muffler Used on Type No(s). 0116, 0121.	975A	698783	Bowl–Float	1044	698139	Screw (Flywheel)
868	★Δ690968	Seal–Valve Used on Type No(s). 0116.	977	690192	Gasket Set–Carburetor (Walbro)	1051	691265	Ring–Retaining
877	393456	Wire/Connector–Alternator (Dual Circuit) Used on Type No(s). 0118, 0119, 0163, 0214, 0215, 0236, 0238, 0241, 0285.	977A	790032	Gasket Set–Carburetor (Nikki)	1054	280275	Tie–Cable
877A	393814	Wire/Connector–Alternator (DC Only) Used on Type No(s). 0121.	987	●691326	Seal–Throttle Shaft Used on Type No(s). 0238.	1058	275935	Operator’s Manual
877B	393537	Wire/Connector–Alternator (5 To 9 Amp Regulated) Used on Type No(s). 0116.	987A	●698777	Seal–Throttle Shaft	1070	690372	Screw (Flywheel Fan)
878	691237	Harness–Alternator Used on Type No(s). 0118, 0119, 0163, 0214, 0215, 0236, 0238, 0241, 0285.	1005	699044	Fan–Flywheel (Used After Code Date 03031600)	1090	691293	Retainer–Brush
883	★692236	Gasket–Exhaust	1017	690770	Screen–Oil Pump	1091	691333	Cap–Limiter
914	691108	Screw (Rocker Cover)	1019	699196	Kit–Label	1095	691581	Gasket Set–Valve
918	697091	Hose–Vacuum (Molded) Used on Type No(s). 0116.	1022	★Δ272475	Gasket–Rocker Cover	1119	691183	Screw (Alternator)
943	690589	Seal–O Ring (Oil Pump Cover)	1023	692492	Cover–Rocker	1127	695407	Screw (Float Bowl)
950	691657	Screw–Float Bowl (Bottom Of Bowl)	1024	499054	Pump–Oil	1263	697124	Reed–Breather
965	499613	Cover–Oil Pump	1026	697395	Rod–Push (Exhaust)	1264	697104	Screw (Breather Reed)
967	697292	Filter–Pre Cleaner	1026	697395	Rod–Push (Intake)	1266	★●691917	Seal–O Ring (Intake Elbow)
968	697420	Cover–Air Cleaner (Black)	1027	492932	Filter–Oil	1266A	★●697123	Seal–O Ring (Intake Elbow)
			1029	691751	Arm–Rocker	1267	697419	Latch–Blower Housing (Black)
			1032	491710	Ball–Oil Pump	1270	697156	Plug–AVS Counterweight
			1034	690822	Guide–Push Rod	1330	272147	Repair Manual
			1035	693784	Shaft–Pump			
			1036	790465	Label–Emissions (Used After Code Date 04063000)			
					————— Note —————			
					790186			
					Label–Emissions (Used After Code Date 03123100 and Before Code Date 04070100).			
					697221			
					Label–Emissions (Used Before Code Date 04010100)			

★ Included in Engine Gasket Set–Ref. No.358.

● Included in Carburetor Overhaul Kit–Ref. No. 121 or 121A.

◆ Included in Carburetor Gasket Set–Ref. No. 977 or977A.

Δ Included in Valve Gasket Set–Ref. No 1095.

Illustrations cover a range of engines. Parts shown without corresponding text may not be used on your specific engine.