

28AH00

Illustrated Parts List Model Series 28AH00

TYPE NUMBERS
0112, 0113.

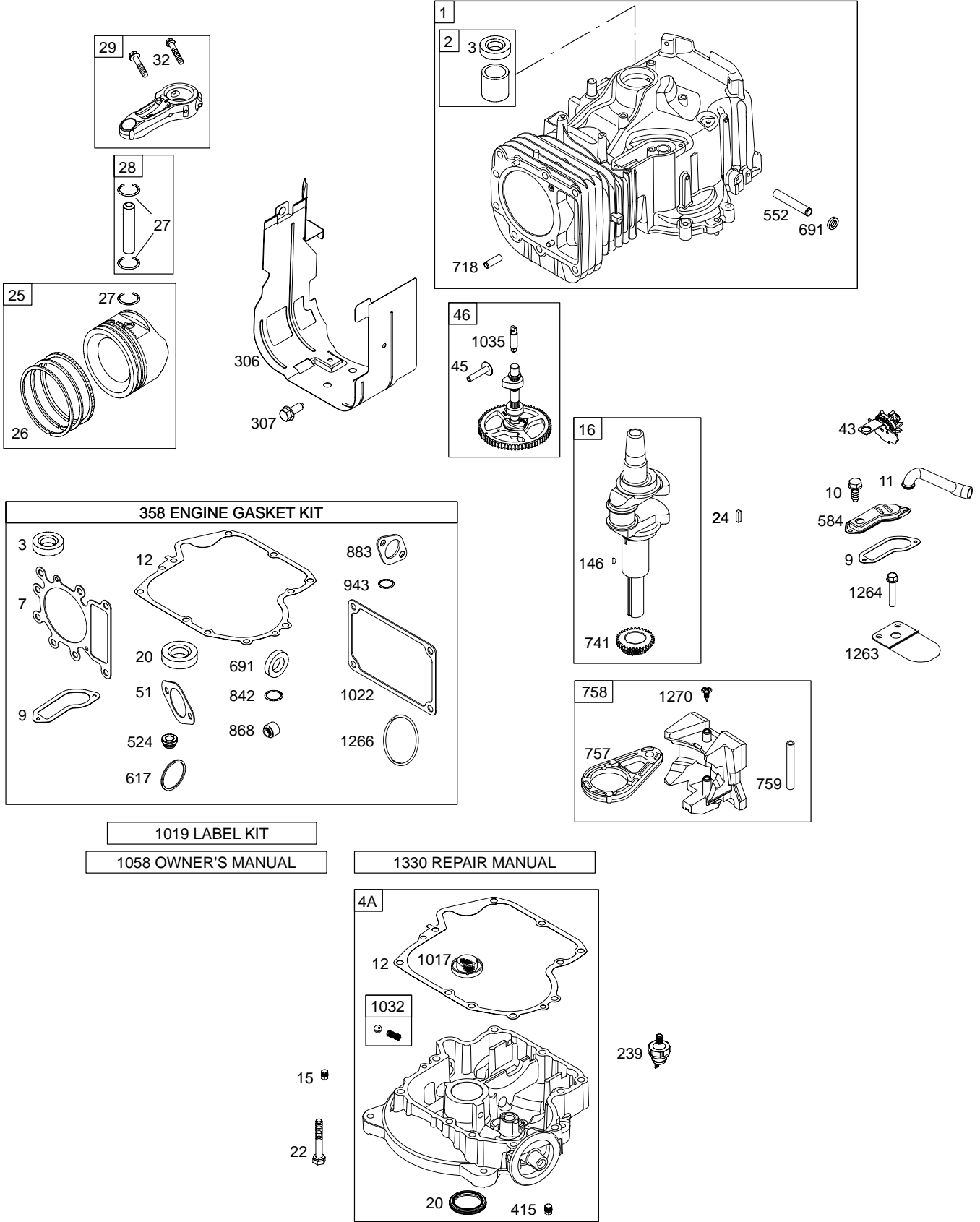
TABLE OF CONTENTS

| | |
|-------------------------------------|---|
| Air Cleaner | 5 |
| Alternator | 7 |
| Blower Housing | 5 |
| Camshaft | 2 |
| Carburetor | 4 |
| Controls | 7 |
| Engine Sump | 2 |
| Crankshaft | 2 |
| Cylinder | 2 |
| Cylinder Head | 3 |
| Electric Starter | 7 |
| Exhaust System | 5 |
| Flywheel | 6 |
| Fuel Supply | 4 |
| Gasket Set – Engine | 2 |
| Gasket Set – Valve | 3 |
| Governor Spring | 7 |
| Ignition | 7 |
| Intake Manifold | 3 |
| Kit – Carburetor Overhaul. | 4 |
| Lubrication | 3 |
| Piston, Rings, Connecting Rod | 2 |
| Rewind Starter | 6 |
| Valves | 3 |

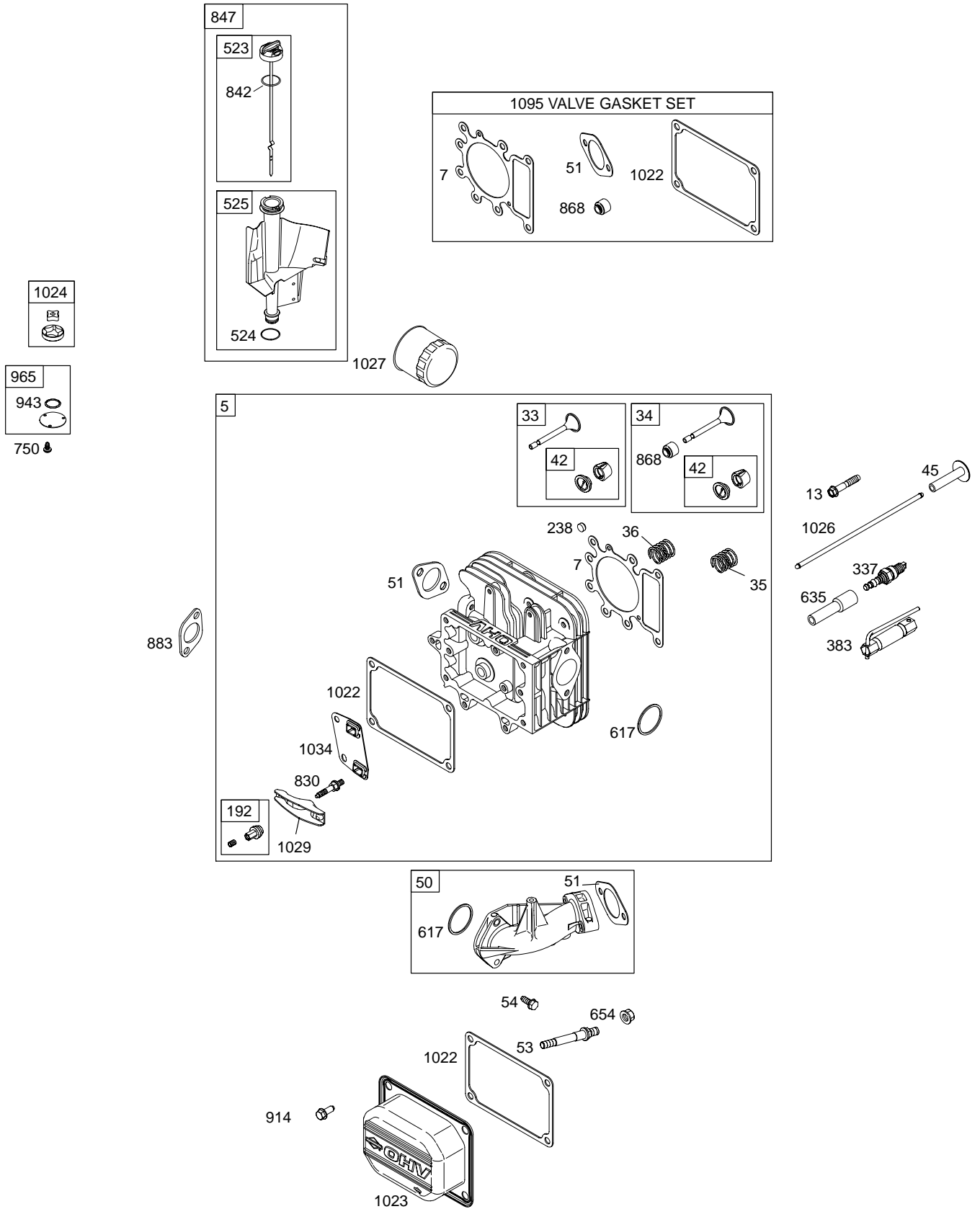
PRINTED IN U.S.A.



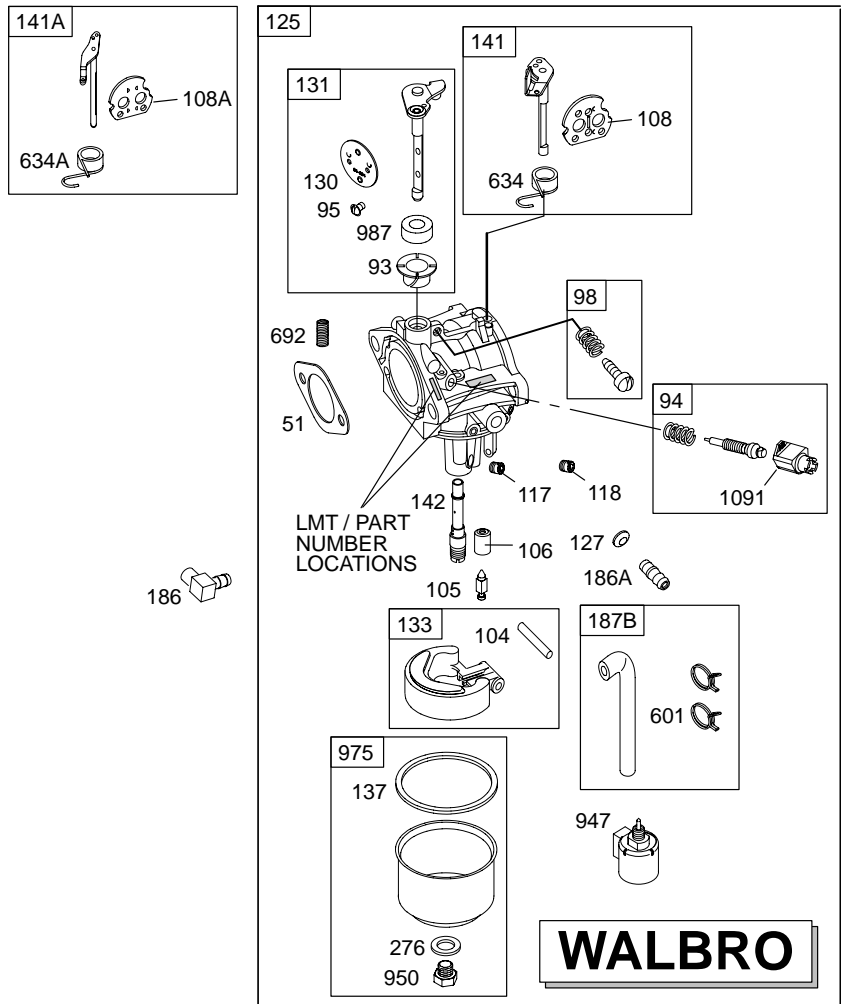
COPYRIGHT by BRIGGS & STRATTON CORPORATION
All rights reserved. No part of this material may be reproduced or transmitted, in any form or by any means, electronic or mechanical, including photocopying, recording or by any information storage and retrieval system, without permission in writing from Briggs & Stratton Corporation.



Illustrations cover a range of engines. Parts shown without corresponding text may not be used on your specific engine.
 5328-2 Assemblies include all parts shown in frames. 08/31/2004



Illustrations cover a range of engines. Parts shown without corresponding text may not be used on your specific engine.
 5328-3 Assemblies include all parts shown in frames. 08/31/2004

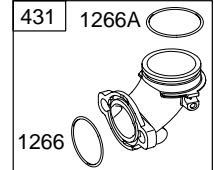
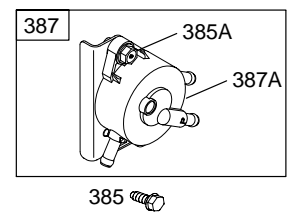
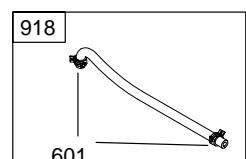
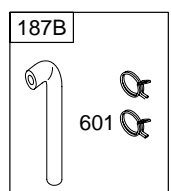
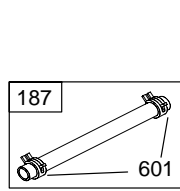


121 CARBURETOR OVERHAUL KIT

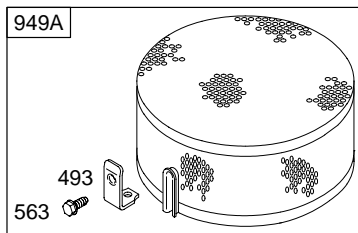
| | | | | |
|--|--|--|--|--|
| | | | | |
| | | | | |
| | | | | |

977 CARBURETOR GASKET SET

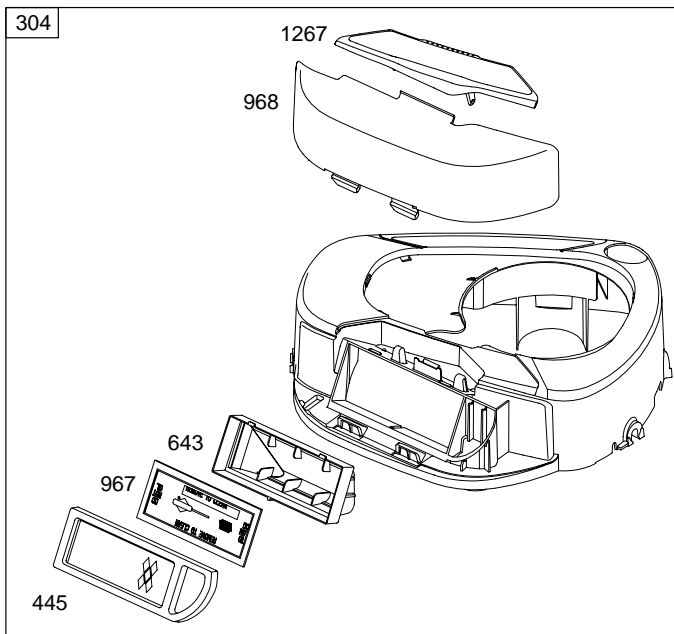
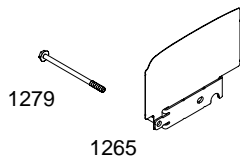
| | | |
|--|--|--|
| | | |
|--|--|--|



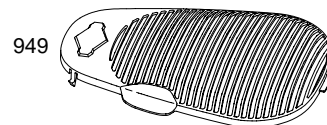
Illustrations cover a range of engines. Parts shown without corresponding text may not be used on your specific engine.
 5328-4 Assemblies include all parts shown in frames. 08/31/2004



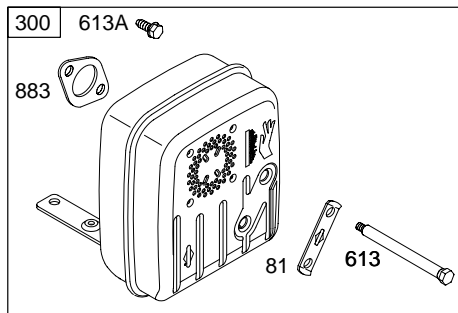
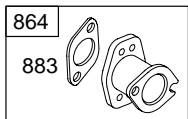
305A

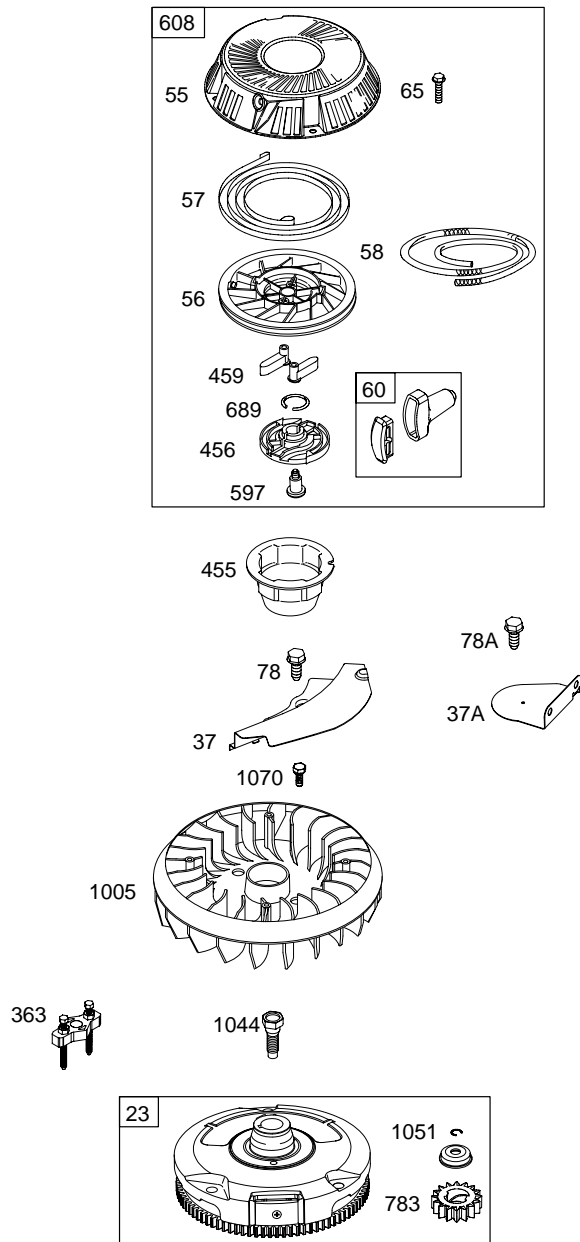


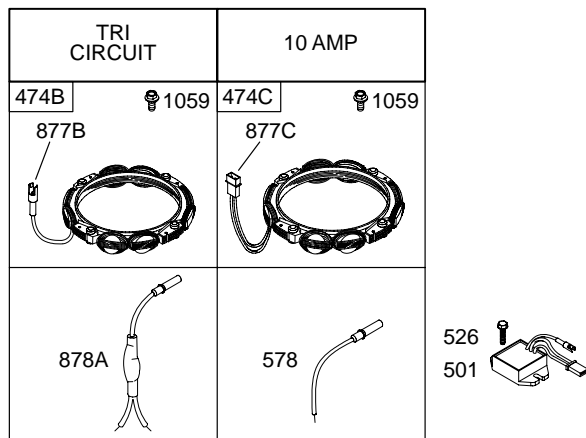
1036 EMISSION LABEL




823

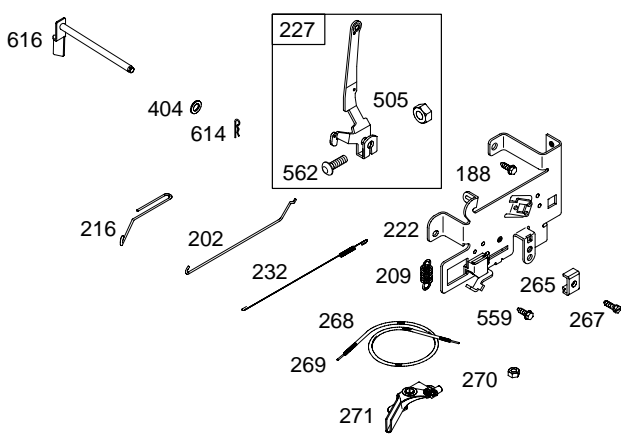
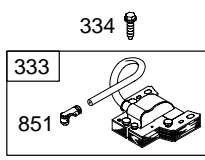
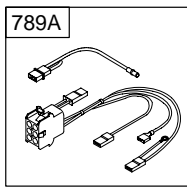
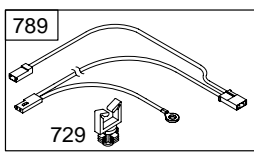
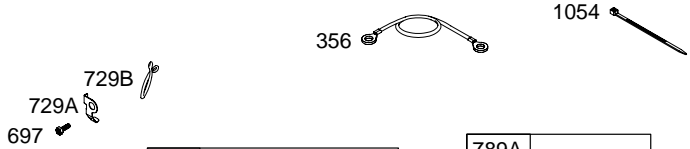
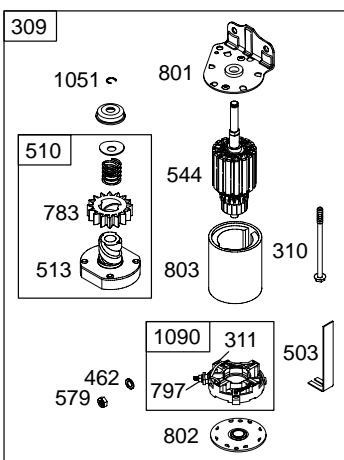






NOTE: All stators use a No. 1119 mounting screw. 

NOTE: The proper flywheel part number and/or the alternator magnet size will determine the alternator type or output. See repair instruction manual for additional information.



28AH00

| REF. NO. | PART NO. | DESCRIPTION | REF. NO. | PART NO. | DESCRIPTION | REF. NO. | PART NO. | DESCRIPTION |
|----------|----------|---|-------------|---------------|---|----------|--|---|
| 1 | 697132 | Cylinder Assembly | 32 | 692852 | Screw (Connecting Rod) | 78A | 690364 | Screw (Flywheel Guard) |
| 2 | 399265 | Kit-Bushing/Seal (Magneto Side) | 33 | 698370 | Valve-Exhaust | | | Used on Type No(s). 0113. |
| 3 | ★391086 | Seal-Oil (Magneto Side) | 34 | 695761 | Valve-Intake | 81 | 691178 | Lock-Muffler Screw |
| 4A | 697188 | Sump-Engine | 35 | 691279 | Spring-Valve (Intake) | 93 | ●690602 | Bushing-Throttle Shaft |
| 5 | 698404 | Head-Cylinder | 36 | 691279 | Spring-Valve (Exhaust) | 94 | 498030 | Kit-Idle Mixture |
| 7 | ★△273280 | Gasket-Cylinder Head | 37 | 697108 | Guard-Flywheel Used on Type No(s). 0112. | 95 | ●691636 | Screw (Throttle Valve) |
| 9 | ★697109 | Gasket-Breather | | | Note | 98 | 495800 | Kit-Idle Speed |
| 10 | 697157 | Screw (Breather Assembly) | | | 697352 | 104 | ●690525 | Pin-Float Hinge |
| 11 | 697113 | Tube-Breather | | | Guard-Flywheel Used on Type No(s). 0113. | 105 | ●231855 | Valve-Float Needle |
| 12 | ★697110 | Gasket-Crankcase | | | Guard-Flywheel Used on Type No(s). 0113. | 106 | ●691780 | Seat-Inlet (Pump Feed) Used on Type No(s). 0112. |
| 13 | 690360 | Screw (Cylinder Head) | 37A | 697626 | Guard-Flywheel Used on Type No(s). 0113. | | | Note ●690577 Seat-Inlet (Gravity Feed) Used on Type No(s). 0113. |
| 15 | 690946 | Plug-Oil Drain | 42 | 499586 | Keeper-Valve | 108 | 690464 | Valve-Choke (LMT 697204, 697205) |
| 16 | 697516 | Crankshaft | 43 | 691968 | Slinger-Governor/Oil | 108A | 692344 | Valve-Choke (LMT 696179, 697202) |
| 20 | ★690947 | Seal-Oil (PTO Side) | 45 | 690564 | Tappet-Valve | 117 | ●694352 | Jet-Main (Standard) |
| 22 | 692125 | Screw (Crankcase Cover/Sump) | 46 | 698492 | Camshaft | 118 | 697228 | Jet-Main (High Altitude) |
| 23 | 693556 | Flywheel | 50 | 690193 | Manifold-Intake | 121 | 697241 | Kit-Carburetor Overhaul |
| 24 | 222698 | Key-Flywheel | 51★△◆692137 | Gasket-Intake | 56 | 695129 | Pulley-Starter Used on Type No(s). 0113. | |
| 25 | 698390 | Piston Assembly (Standard) | 53 | 690227 | Stud (Carburetor) | 125 | 699937 | Carburetor (Pump Feed) Used on Type No(s). 0112. |
| | | Note | 54 | 691148 | Screw (Intake Manifold) | | | Note 698445 Carburetor (Gravity Feed) Used on Type No(s). 0113. |
| | | 698393 Piston Assembly (.010" Oversize) | 55 | 695130 | Housing-Rewind Starter Used on Type No(s). 0113. | 127 | ●695005 | Plug-Welch |
| | | 698394 Piston Assembly (.020" Oversize) | 57 | 695131 | Spring-Rewind Starter Used on Type No(s). 0113. | 130 | 691750 | Valve-Throttle |
| | | 698395 Piston Assembly (.030" Oversize) | 58 | 695132 | Rope-Starter Used on Type No(s). 0113. | 131 | 494379 | Kit-Throttle Shaft |
| 26 | 698389 | Ring Set (Standard) | 60 | 494212 | Grip-Starter Rope Used on Type No(s). 0113. | 133 | 494381 | Float-Carburetor |
| | | Note | 65 | 697725 | Screw (Rewind Starter) Used on Type No(s). 0113. | 137 | ◆281165 | Gasket-Float Bowl |
| | | 698396 Ring Set (.010" Oversize) | 78 | 691003 | Screw (Flywheel Guard) Used on Type No(s). 0112. | 141 | 495097 | Kit-Choke Shaft (LMT 697204, 697205) |
| | | 698397 Ring Set (.020" Oversize) | | | | 141A | 495931 | Kit-Choke Shaft (LMT 696179, 697202) |
| | | 698398 Ring Set (.030" Oversize) | | | | | | |
| 27 | 698469 | Lock-Piston Pin | | | | | | |
| 28 | 697099 | Pin-Piston (Standard) | | | | | | |
| 29 | 697518 | Rod-Connecting (Standard) | | | | | | |
| | | Note | | | | | | |
| | | 697264 Rod-Connecting (.020" Undersize) | | | | | | |

★ Included in Engine Gasket Set-Ref. No.358.

● Included in Carburetor Overhaul Kit-Ref. No. 121.

◆ Included in Carburetor Gasket Set-Ref. No. 977.

△ Included in Valve Gasket Set-Ref. No 1095.

Illustrations cover a range of engines. Parts shown without corresponding text may not be used on your specific engine.

28AH00

| REF. NO. | PART NO. | DESCRIPTION | REF. NO. | PART NO. | DESCRIPTION | REF. NO. | PART NO. | DESCRIPTION |
|----------|----------|---|----------|----------|---|----------|----------|--|
| 142 | ●697140 | Nozzle-Carburetor (Standard) | 271 | 691028 | Lever-Control | 455 | 695113 | Cup-Flywheel Used on Type No(s). 0113. |
| 146 | 690979 | Key-Timing | 276 | ◆692255 | Washer-Sealing | | | |
| 186 | 692317 | Connector-Hose (90 Degree) | 300 | 697349 | Muffler | 456 | 695128 | Plate-Pawl Friction Used on Type No(s). 0113. |
| 186A | 698174 | Connector-Hose (Straight) | 304 | 698420 | Housing-Blower (Black) Used on Type No(s). 0112. | 459 | 281505 | Pawl-Ratchet Used on Type No(s). 0113. |
| 187 | 691050 | Line-Fuel (Cut To Required Length) | | | Note | 462 | 691261 | Washer (Starter Cable) |
| 187B | 698417 | Line-Fuel (Formed)(10-1/4 Inches Long)(Cut to Required Length) | | | 699704 | 474B | 696457 | Alternator (Tri Circuit) Used on Type No(s). 0113. |
| 188 | 691693 | Screw (Control Bracket) | 305 | 697102 | Screw (Blower Housing) | 474C | 696458 | Alternator (10 Amp Circuit) Used on Type No(s). 0112. |
| 192 | 691986 | Adjuster-Rocker Arm | 305A | 697103 | Screw (Blower Housing) | 493 | 695450 | Bracket-Mounting Used on Type No(s). 0113. |
| 202 | 691841 | Link-Mechanical Governor | 306 | 697107 | Shield-Cylinder | 501 | 691185 | Regulator Used on Type No(s). 0112. |
| 209 | 690480 | Spring-Governor (Red) | 307 | 691003 | Screw (Cylinder Shield) | | | |
| 216 | 691840 | Link-Choke | 309 | 693551 | Motor-Starter | | | |
| 222 | 694042 | Bracket-Control | 310 | 690323 | Screw (Starter Motor) | | | |
| 227 | 691374 | Lever-Governor Control | 311 | 497608 | Brush Set | | | |
| 232 | 691842 | Spring-Governor Link | 333 | 492341 | Armature-Magneto | | | |
| 238 | 691843 | Cap-Valve | 334 | 691061 | Screw (Magneto Armature) | | | |
| 239 | 491657 | Switch-Oil Pressure | 337 | 491055 | Plug-Spark | | | |
| 240 | 394358 | Filter-Fuel (White, 75 Microns) Used on Type No(s). 0113. | 356 | 697089 | Wire-Stop | | | |
| | | | 358 | 697151 | Gasket Set-Engine | | | |
| | | | 363 | 19203 | Puller-Flywheel | 503 | 691532 | Strap-Starter |
| 240B | 695666 | Filter-Fuel (Includes 30 Micron Paper Element) Used on Type No(s). 0112. | 383 | 89838 | Wrench-Spark Plug | 505 | 691251 | Nut (Governor Control Lever) |
| | | | 385 | 694476 | Screw (Fuel Pump) | 510 | 693699 | Drive-Starter |
| | | | 385A | 690297 | Screw (Fuel Pump) | 513 | 692024 | Clutch-Drive |
| 265 | 691024 | Clamp-Casing | 387 | 697090 | Pump-Fuel (Includes Mounting Bracket) | 523 | 699908 | Dipstick |
| 267 | 690804 | Screw (Casing Clamp) | 387A | 808656 | Pump-Fuel | 524 | ★691032 | Seal-Dipstick Tube |
| 268 | 691025 | Casing-Control Wire (Cut To Required Length) | 404 | 691691 | Washer (Governor Crank) | 525 | 697085 | Tube-Dipstick Used on Type No(s). 0112. |
| 269 | 691026 | Wire-Control (Cut To Required Length) | 415 | 690283 | Plug (.125-27 NPTF) | | | |
| 270 | 691027 | Nut (Control Wire Casing) | 431 | 697122 | Elbow-Intake | | | |
| | | | 445 | 697153 | Filter-Air Cleaner Cartridge (Washable) | 526 | 697348 | Screw (Regulator) |

★ Included in Engine Gasket Set-Ref. No.358.

● Included in Carburetor Overhaul Kit-Ref. No. 121.

◆ Included in Carburetor Gasket Set-Ref. No. 977.

△ Included in Valve Gasket Set-Ref. No 1095.

Illustrations cover a range of engines. Parts shown without corresponding text may not be used on your specific engine.

5328-9

Assemblies include all parts shown in frames.

08/31/2004

28AH00

| REF. NO. | PART NO. | DESCRIPTION | REF. NO. | PART NO. | DESCRIPTION | REF. NO. | PART NO. | DESCRIPTION |
|----------|----------|---|----------|----------|---|----------|----------|---|
| 544 | 692034 | Armature–Starter | 729A | 691224 | Clip–Wire (Aluminum Coated Steel) | 883 | ★692236 | Gasket–Exhaust |
| 552 | 697144 | Bushing–Governor Crank | 729B | 694123 | Clip–Wire (Nylon) | 914 | 691108 | Screw (Rocker Cover) |
| 559 | 697561 | Screw (Remote Choke Stop) | 741 | 697128 | Gear–Timing | 918 | 697091 | Hose–Vacuum (Formed) |
| 562 | 691119 | Bolt (Governor Control Lever) | 750 | 691033 | Screw (Oil Pump Cover) | 943 | ★690589 | Seal–O Ring (Oil Pump Cover) |
| 563 | 695449 | Screw (Debris Screen Guard) | 757 | 697607 | Link–Counterweight | 947 | 694393 | Solenoid–Fuel |
| 578 | 692306 | Wire Assembly Used on Type No(s). 0112. | 758 | 697134 | Counterweight | 949 | 697729 | Guard–Debris Screen Used on Type No(s). 0112. |
| 579 | 691029 | Nut (Starter Cable) | 759 | 697392 | Pin–Counterweight | 949A | 695448 | Guard–Debris Screen Used on Type No(s). 0113. |
| 584 | 697112 | Cover–Breather Passage | 783 | 693713 | Gear–Pinion | 950 | 695407 | Screw–Float Bowl (Bottom Of Bowl) |
| 597 | 691696 | Screw (Pawl Friction Plate) Used on Type No(s). 0113. | 789 | 692037 | Harness–Wiring Used on Type No(s). 0112. | 965 | 499613 | Cover–Oil Pump |
| 601 | 95162 | Clamp–Hose | 789A | 698329 | Harness–Wiring Used on Type No(s). 0113. | 967 | 697015 | Filter–Pre Cleaner |
| 608 | 695058 | Starter–Rewind Used on Type No(s). 0113. | 797 | 693167 | Nut (Brush Retainer) | 968 | 697574 | Cover–Air Cleaner (Black) Used on Type No(s). 0112. |
| 613 | 691416 | Screw (Muffler) | 801 | 691283 | Cap–Drive | | | Note _____ |
| 613A | 690297 | Screw (Muffler) | 802 | 691286 | Cap–End | | | 698403 Cover–Air Cleaner (Black) Used on Type No(s). 0113. |
| 614 | 691620 | Pin–Cotter | 803 | 693757 | Housing–Starter | 975 | 495933 | Bowl–Float |
| 616 | 692012 | Crank–Governor | 823 | 698941 | Screw (Muffler Adapter) | 977 | 690192 | Gasket Set–Carburetor |
| 617 | ★692138 | Seal–O Ring (Intake Manifold) | 830 | 691095 | Stud–Rocker Arm | 987 | ●691326 | Seal–Throttle Shaft |
| 634 | ●690801 | Spring/Seal Assembly (LMT 697204, 697205) | 842 | ★691031 | Seal–O Ring (Dipstick Tube) | 1005 | 697546 | Fan–Flywheel Used on Type No(s). 0112. |
| 634A | ●690802 | Spring/Seal Assembly (LMT 696179, 697202) | 847 | 790443 | Dipstick/Tube Assembly Used on Type No(s). 0112. | | | Note _____ |
| 635 | 691909 | Boot–Spark Plug | | | Note _____ | | | 790442 Dipstick/Tube Assembly Used on Type No(s). 0113. |
| 643 | 698401 | Retainer–Air Filter | 851 | 692424 | Terminal–Spark Plug | 1017 | 690770 | Screen–Oil Pump (Push In) |
| 654 | 690958 | Nut (Carburetor) | 864 | 697346 | Adapter–Muffler | 1019 | 698414 | Kit–Label |
| 676 | 393761 | Deflector–Muffler | 868 | ★Δ690968 | Seal–Valve | 1022 | ★Δ272475 | Gasket–Rocker Cover |
| 677 | 690661 | Screw (Muffler Deflector) | 877B | 393537 | Wire/Connector– Alternator (Tri Circuit) Used on Type No(s). 0113. | 1023 | 692492 | Cover–Rocker |
| 689 | 691855 | Spring–Friction Used on Type No(s). 0113. | | | Used on Type No(s). 0113. | 1024 | 499054 | Pump–Oil |
| 691 | ★692407 | Seal–Governor Shaft | 877C | 399916 | Wire/Connector– Alternator Used on Type No(s). 0112. | 1026 | 692003 | Rod–Push (Intake) |
| 692 | 690572 | Spring–Detent | | | | | | Note _____ |
| 697 | 690372 | Screw (Drive Cap) | 878A | 691955 | Harness–Alternator Used on Type No(s). 0113. | | | 692011 Rod–Push (Exhaust) |
| 718 | 690959 | Pin–Locating | | | | | | |
| 729 | 691335 | Clip–Wire (Wire Saddle) | | | | | | |

★ Included in Engine Gasket Set–Ref. No.358.

● Included in Carburetor Overhaul Kit–Ref. No. 121.

◆ Included in Carburetor Gasket Set–Ref. No. 977.

Δ Included in Valve Gasket Set–Ref. No.1095.

Illustrations cover a range of engines. Parts shown without corresponding text may not be used on your specific engine.

28AH00

| REF. NO. | PART NO. | DESCRIPTION | REF. NO. | PART NO. | DESCRIPTION | REF. NO. | PART NO. | DESCRIPTION |
|----------|----------|--|----------|----------|-------------------------------|----------|----------|--|
| 1027 | 696854 | Filter—Oil | 1051 | 691265 | Ring—Retaining | 1266A | ●697123 | Seal—O Ring (Intake Elbow) |
| 1029 | 691751 | Arm—Rocker | 1054 | 280275 | Tie—Cable | | | |
| 1032 | 491710 | Ball—Oil Pump Used on Type No(s). 0113. | 1058 | 275935 | Operator's Manual | 1267 | 697575 | Latch—Blower Housing Used on Type No(s). 0112. |
| 1034 | 690822 | Guide—Push Rod | 1059 | 698516 | Kit—Screw/Washer | | | |
| 1035 | 693784 | Shaft—Pump | 1070 | 690372 | Screw (Flywheel Fan) | | | |
| 1036 | 790464 | Label—Emissions (Used After Code Date 04063000). | 1090 | 691293 | Retainer—Brush | | | |
| | | ———— Note ———— | 1091 | 691333 | Cap—Limiter | | | |
| | | 695700 Label— Emissions (Used Before Code Date 04040100). | 1095 | 691581 | Gasket Set—Valve | | | |
| | | | 1119 | 691183 | Screw (Alternator) | 1270 | 697156 | Plug—AVS Counterweight |
| | | | 1263 | 697124 | Reed—Breather | 1279 | 691108 | Screw (Blower Housing Support) |
| | | | 1264 | 697104 | Screw (Breather Reed) | 1330 | 272147 | Repair Manual |
| 1044 | 698139 | Screw (Flywheel) | 1265 | 697125 | Support—Blower Housing | | | |
| | | | 1266 | ★●691917 | Seal—O Ring (Intake Elbow) | | | |

★ Included in Engine Gasket Set—Ref. No.358.

● Included in Carburetor Overhaul Kit—Ref. No. 121.

◆ Included in Carburetor Gasket Set—Ref. No. 977.

△ Included in Valve Gasket Set—Ref. No 1095.

Illustrations cover a range of engines. Parts shown without corresponding text may not be used on your specific engine.

5328–11

Assemblies include all parts shown in frames.

08/31/2004