

21B800

Illustrated Parts List

Model Series

21B800

TYPE NUMBERS
0236 through 0372.

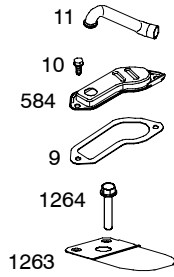
TABLE OF CONTENTS

Air Cleaner/Blower Housing	6
Alternator	9
Camshaft	3
Carburetor	5
Controls	8
Crankcase Sump	2
Crankshaft	3
Cylinder	2
Cylinder Head	4
Electric Starter	7
Flywheel	7
Fuel System	8
Ignition	8
Kit/Gasket Sets - Carburetor	5
Kit/Gasket Sets - Engine	4
Kit/Gasket Sets - Valve	4
Lubrication	3
Piston	3



PRINTED IN U.S.A.

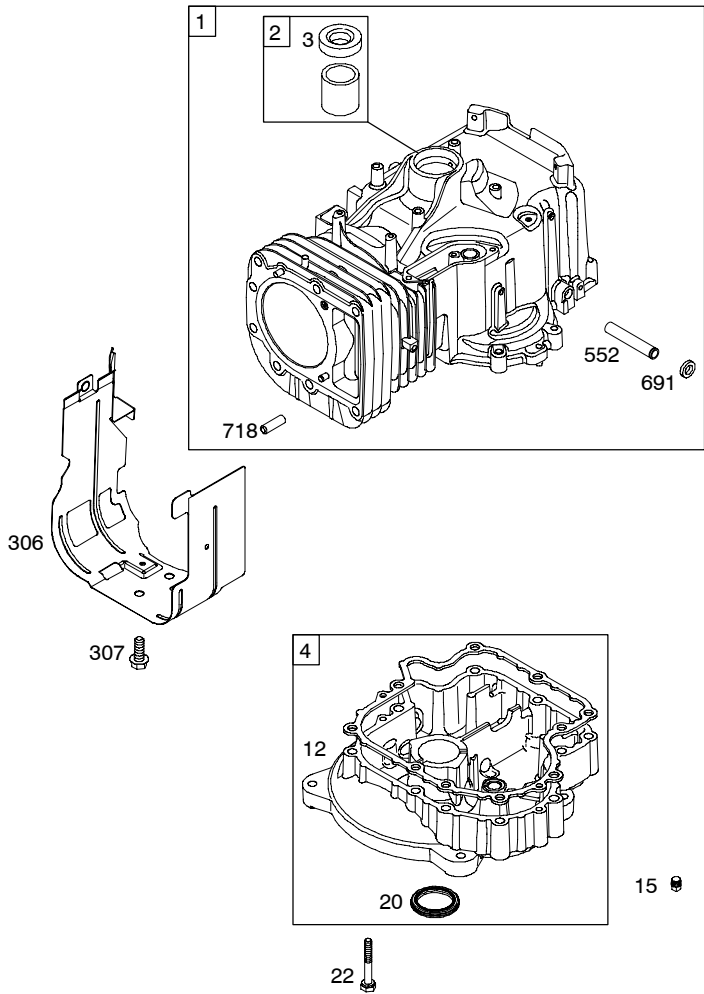
COPYRIGHT by BRIGGS & STRATTON CORPORATION
All rights reserved. No part of this material may be reproduced or transmitted, in any form or by any means, electronic or mechanical, including photocopying, recording or by any information storage and retrieval system, without permission in writing from Briggs & Stratton Corporation.



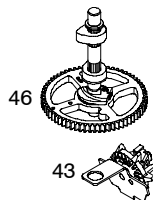
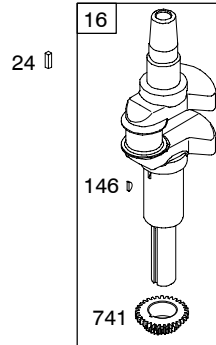
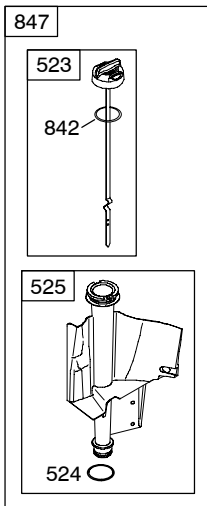
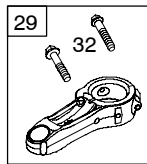
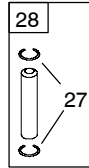
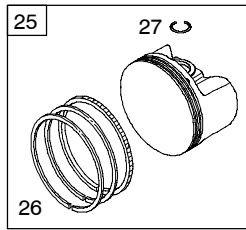
1019 LABEL KIT

1058 OWNER'S MANUAL

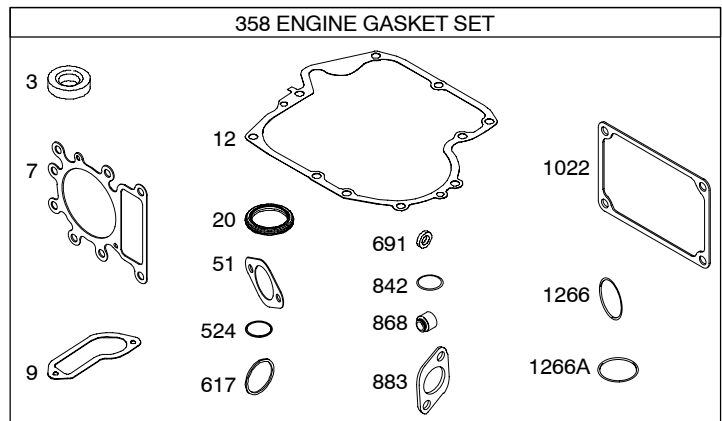
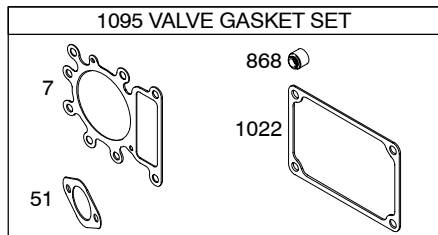
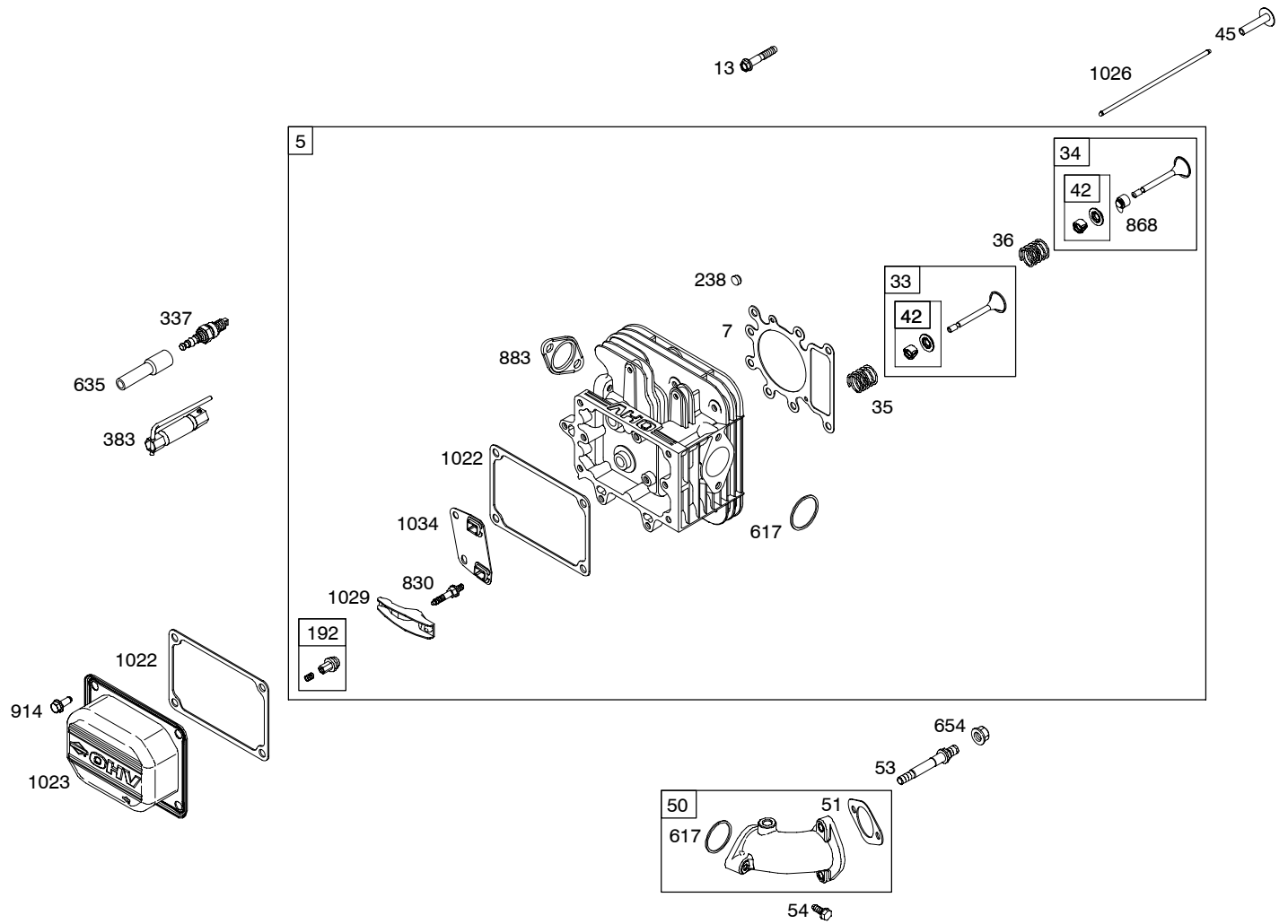
1330 REPAIR MANUAL



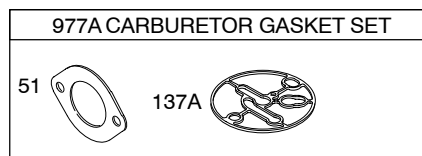
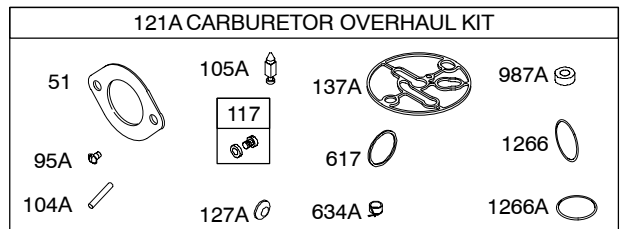
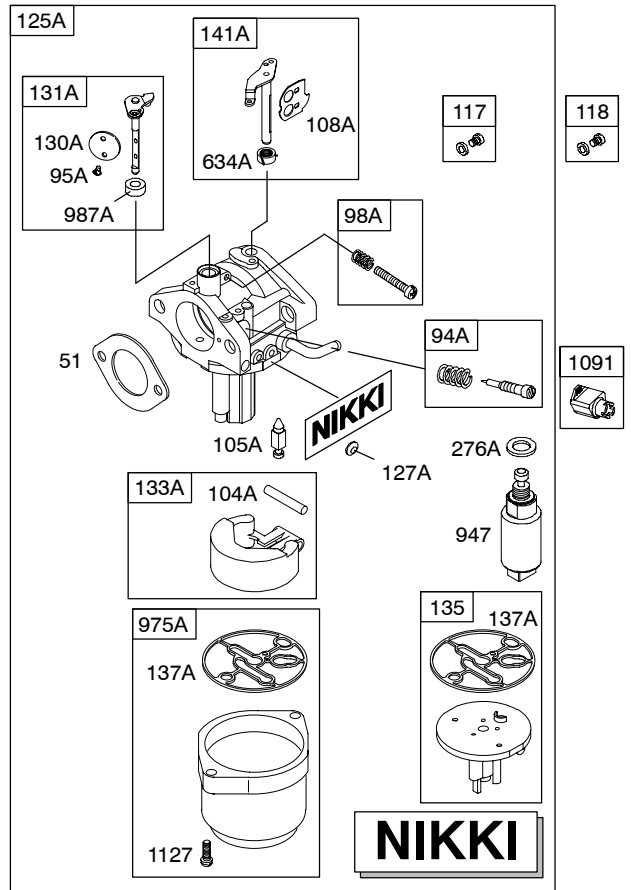
Illustrations cover a range of engines. Parts shown without corresponding text may not be used on your specific engine.



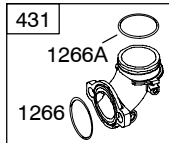
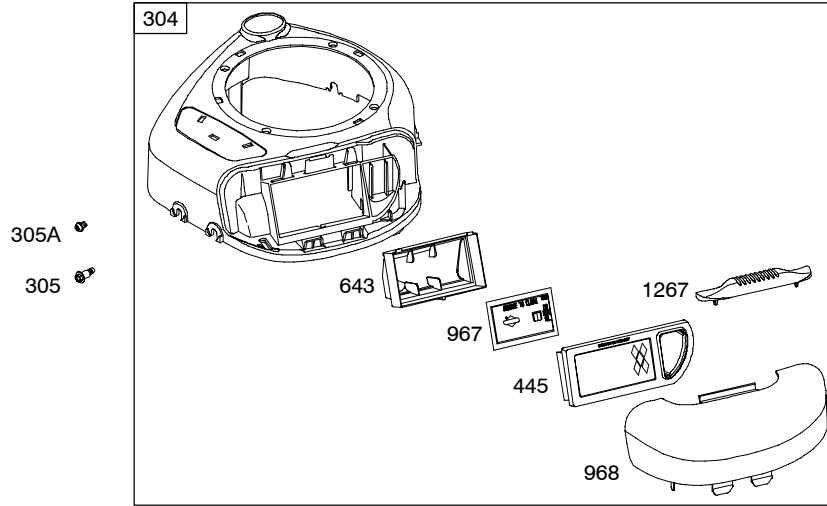
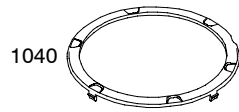
Illustrations cover a range of engines. Parts shown without corresponding text may not be used on your specific engine.
 5879-3 Assemblies include all parts shown in frames. 10/20/2004



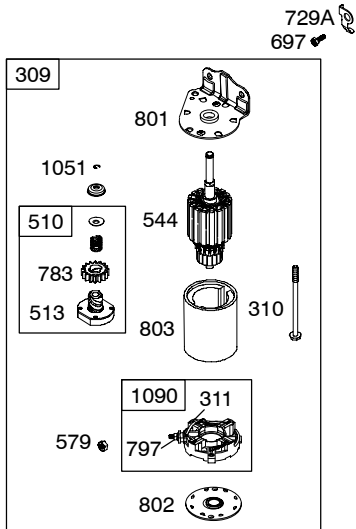
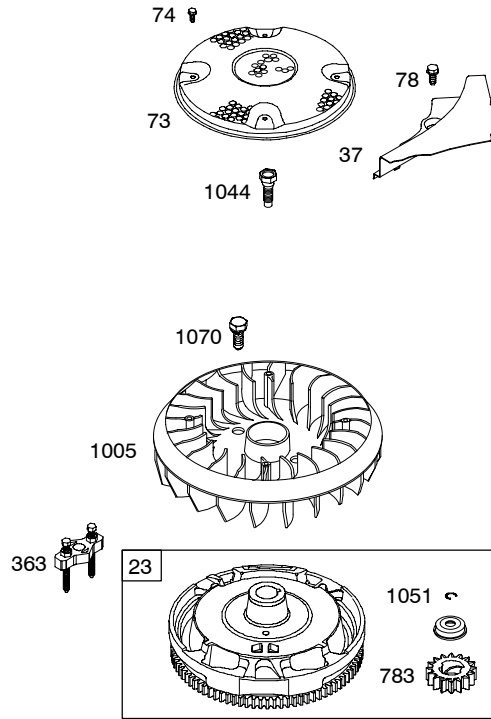
Illustrations cover a range of engines. Parts shown without corresponding text may not be used on your specific engine.



Illustrations cover a range of engines. Parts shown without corresponding text may not be used on your specific engine.

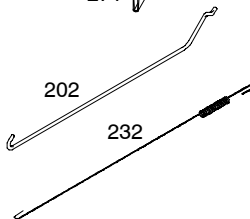
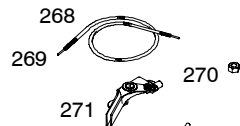
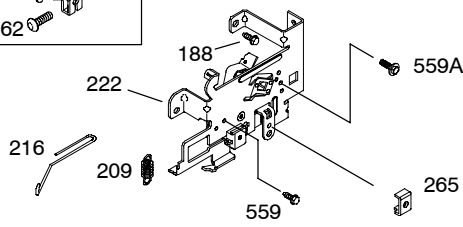
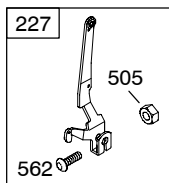
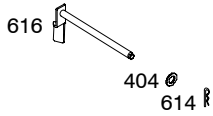
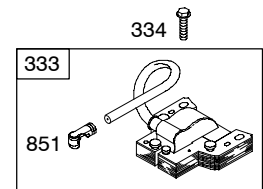
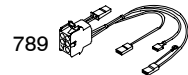
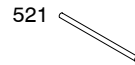
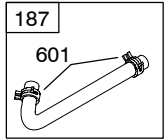


Illustrations cover a range of engines. Parts shown without corresponding text may not be used on your specific engine.

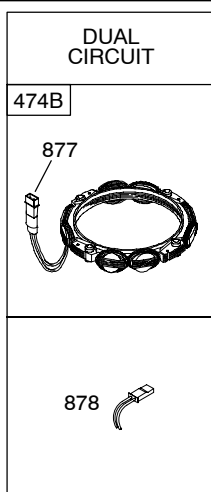



Illustrations cover a range of engines. Parts shown without corresponding text may not be used on your specific engine.

21B800



Illustrations cover a range of engines. Parts shown without corresponding text may not be used on your specific engine.
5879-8 Assemblies include all parts shown in frames. 10/20/2004



NOTE: All stators use a No. 1119 mounting screw. 

NOTE: The proper flywheel part number and/or the alternator magnet size will determine the alternator type or output. See repair instruction manual for additional information.

21B800

REF. NO.	PART NO.	DESCRIPTION	REF. NO.	PART NO.	DESCRIPTION	REF. NO.	PART NO.	DESCRIPTION
1	697377	Cylinder Assembly	27	698469	Lock-Piston Pin (Pink)	117	●699897	Jet-Main (Standard) (Nikki)
2	399265	Kit-Bushing/Seal (Magneto Side)	28	697099	Pin-Piston			Used on Type No(s). 0236, 0239, 0289, 0290, 0296.
3	★391086	Seal-Oil (Magneto Side)	29	697364	Rod-Connecting (Standard)	118	●699898	Jet-Main (High Altitude) (Nikki)
4	697106	Sump-Engine			----- Note -----			Used on Type No(s). 0236, 0239, 0289, 0290, 0296.
5	697396	Head-Cylinder			697262 Rod-Connecting (.020" Undersize)			
7	∅★273280	Gasket -Cylinder Head	32	692852	Screw (Connecting Rod)	121A	698787	Kit-Carburetor Overhaul (Nikki)
9	★697109	Gasket-Breather	33	695760	Valve-Exhaust			Used on Type No(s). 0236, 0239, 0289, 0290, 0296.
10	697157	Screw (Breather Assembly)	34	695761	Valve-Intake	125A	699916	Carburetor (Nikki) (Gravity Feed)
11	697113	Tube-Breather	35	691279	Spring-Valve (Intake)			Used on Type No(s). 0236, 0239, 0289, 0290, 0296.
12	★697110	Gasket-Crankcase (.015" Thick) (Standard)	36	691279	Spring-Valve (Exhaust)	127A	●690727	Plug-Welch
13	690360	Screw (Cylinder Head)	37	697352	Guard-Flywheel	130A	698774	Valve-Throttle
15	690946	Plug-Oil Drain (3/8" Standard)	42	499586	Keeper-Valve			Used on Type No(s). 0236, 0239, 0289, 0290, 0296.
16	698382	Crankshaft	43	691968	Slinger-Governor/Oil	131A	698776	Kit-Throttle Shaft
20	★690947	Seal-Oil (PTO Side)	45	690564	Tappet-Valve	133A	694914	Float-Carburetor
22	692125	Screw (Crankcase Cover/ Sump)	46	790392	Camshaft	135	698780	Tube-Fuel Transfer
23	698281	Flywheel	50	697361	Manifold-Intake			Used on Type No(s). 0236, 0239, 0289, 0290, 0296.
24	222698	Key-Flywheel	51	∅★692137	Gasket-Intake	137A	●698781	Gasket-Float Bowl
25	698767	Piston Assembly (Standard)	53	690227	Stud (Carburetor)			Used on Type No(s). 0236, 0239, 0289, 0290, 0296.
		----- Note -----	54	691148	Screw (Intake Manifold)	141A	698778	Kit-Choke Shaft (Nikki)
		698768 Piston Assembly (.010" Oversize)	73	697133	Screen-Rotating			Used on Type No(s). 0236, 0239, 0289, 0290, 0296.
		698769 Piston Assembly (.020" Oversize)	74	697897	Screw (Rotating Screen)	146	691639	Key-Timing
		698770 Piston Assembly (.030" Oversize)	78	691003	Screw (Flywheel Guard)			
26	698375	Ring Set (Standard)	94A	695425	Kit-Idle Mixture			
		----- Note -----	95A	●690718	Screw (Throttle Valve)			
		698376 Ring Set (.010 Oversize)	98A	695408	Kit-Idle Speed			
		698377 Ring Set (.020" Oversize)	104A	●694918	Pin-Float Hinge			
		698378 Ring Set (.030" Oversize)	105A	●696136	Valve-Float Needle			
			108A	698773	Valve-Choke			
					Used on Type No(s). 0236, 0239, 0289, 0290, 0296.			

★ Included in Engine Gasket Set-Ref. No. 358.

● Included in Carburetor Overhaul Kit-Ref. No. 121 or 121A.

■ Included in Carburetor Gasket Set-Ref. No. 977. or 977A.

∅ Included in Valve Gasket Set-Ref. No. 1095.

Illustrations cover a range of engines. Parts shown without corresponding text may not be used on your specific engine.

REF. NO.	PART NO.	DESCRIPTION	REF. NO.	PART NO.	DESCRIPTION	REF. NO.	PART NO.	DESCRIPTION
187	699331	Line-Fuel (Formed)(Cut To Required Length) Used on Type No(s). 0236, 0239, 0289, 0290, 0296, 0372.	271	691028	Lever-Control	521	690581	Shield-Cable Used on Type No(s). 0236, 0239, 0296, 0372.
188	691693	Screw (Control Bracket)	276A	◆282097	Washer-Sealing	523	699908	Dipstick
192	691986	Adjuster-Rocker Arm	304	699085	Housing-Blower (Red) Used on Type No(s). 0236, 0239, 0289, 0290, 0296, 0372.	524	★691032	Seal-Dipstick Tube
202	691841	Link-Mechanical Governor	305	697102	Screw (Blower Housing)	525	697184	Tube-Dipstick
209	690480	Spring-Governor Used on Type No(s). 0239, 0289, 0296.	305A	697103	Screw (Blower Housing)	527	698467	Clamp-Tube Used on Type No(s). 0289, 0290.
		----- Note -----	306	697359	Shield-Cylinder	544	692034	Armature-Starter
		260902 Spring-Governor Used on Type No(s). 0372.	307	691003	Screw (Cylinder Shield)	552	697144	Bushing-Governor Crank
		692208 Spring-Governor Used on Type No(s). 0290.	309	693551	Motor-Starter Used on Type No(s). 0236, 0239, 0289, 0290, 0296, 0372.	559	697561	Screw (Remote Choke Stop) (Assemble Remote/ Manual Choke Stop Screw In "R" Hole) Used on Type No(s). 0289.
		690576 Spring-Governor Used on Type No(s). 0236.	310	690323	Bolt (Starter Motor)	559A	693675	Screw (Remote Choke Stop) (Assemble Speed Limiter Screw In Number "2" Hole) Used on Type No(s). 0289, 0290.
216	691840	Link-Choke	311	497608	Brush Set			
222	694042	Bracket-Control	333	492341	Armature-Magneto			
227	691374	Lever-Governor Control	334	691061	Screw (Magneto Armature)			
232	691842	Spring-Governor Link	337	491055	Plug-Spark ----- Note -----			
238	691843	Cap-Valve			691043 Plug-Spark Used on Type No(s). 0289, 0372.	562	691119	Bolt (Governor Control Lever)
240	394358	Filter-Fuel (White, 75 Microns) Used on Type No(s). 0236, 0239, 0289, 0290, 0296, 0372.	358	697151	Gasket Set-Engine	579	691029	Nut (Starter Cable)
265	691024	Clamp-Casing	363	19203	Flywheel Puller	584	697112	Cover-Breather Passage
267A	695134	Screw (Casing Clamp)	383	89838	Wrench-Spark Plug	601	95162	Clamp-Hose (Zinc Plate) (Spring Wire)
268	691025	Casing-Control Wire (Cut to Required Length)	404	691691	Washer (Governor Crank)	614	691620	Pin-Cotter
269	691026	Wire-Control (Cut to Required Length)	431	697122	Elbow-Intake	616	692012	Crank-Governor
270	691027	Nut (Control Wire Casing)	445	698413	Filter-Air Cleaner Cartridge (Non Washable)	617	★692138	Seal-O Ring (Intake Manifold)
			474B	696459	Alternator (Dual Circuit) Used on Type No(s). 0236, 0239, 0289, 0290, 0296, 0372.			
			505	691251	Nut (Governor Control Lever)			
			510	693699	Drive-Starter			
			513	692024	Clutch-Drive			

★ Included in Engine Gasket Set-Ref. No. 358.

● Included in Carburetor Overhaul Kit-
Ref. No. 121 or 121A.■ Included in Carburetor Gasket Set-
Ref. No. 977. or 977A.

○ Included in Valve Gasket Set-Ref. No. 1095.

Illustrations cover a range of engines. Parts shown without corresponding text may not be used on your specific engine.

21B800

REF. NO.	PART NO.	DESCRIPTION	REF. NO.	PART NO.	DESCRIPTION	REF. NO.	PART NO.	DESCRIPTION
634A	●698779	Spring/Seal Assembly	914	691108	Screw (Rocker Cover)	1040	698368	Plate-Trim (Exhaust)
635	691909	Boot-Spark Plug	947	699915	Solenoid-Fuel Used on Type No(s). 0236, 0239, 0289, 0290, 0296, 0372.			Used on Type No(s). 0236, 0239, 0289, 0290, 0296, 0372.
643	697155	Retainer-Air Filter	967	697292	Filter-Pre Cleaner	1044	698139	Screw (Flywheel)
654	690958	Nut (Carburetor)	968	697420	Cover-Air Cleaner (Black)	1051	691265	Ring-Retaining
691	★692407	Seal-Governor Shaft	975A	699502	Bowl-Float (Nikki) Used on Type No(s). 0236, 0239, 0289, 0290, 0296, 0372.	1058	275935	Owner's Manual
697	690372	Screw (Drive Cap)	977A	790032	Gasket Set-Carburetor (Nikki) Used on Type No(s). 0236, 0239, 0289, 0290, 0296, 0372.	1070	690372	Screw (Flywheel Fan)
718	690959	Pin-Locating	987A	●698777	Seal-Throttle Shaft	1090	691293	Retainer-Brush
729A	691224	Clip-Wire (Starter Motor)	1005	699044	Fan-Flywheel	1091	691333	Cap-Limiter
741	697128	Gear-Timing	1019	699196	Kit-Label	1095	691581	Gasket Set-Valve
783	693713	Gear-Pinion	1022	∅★272475	Gasket-Rocker Cover	1119	691183	Screw (Alternator)
789	698329	Harness-Wiring (6 Pin Customer Conversion) Used on Type No(s). 0236, 0239, 0289, 0290, 0296.	1023	692492	Cover-Rocker	1127	695407	Screw (Float Bowl) (Mount Float Bowl To Carburetor Body)
797	693167	Nut (Brush Retainer)	1026	697395	Rod-Push (Exhaust) ----- Note -----	1263	697124	Reed-Breather
801	691283	Cap-Drive	1029	691751	Arm-Rocker	1264	697104	Screw (Breather Reed)
802	691286	Cap-End	1034	690822	Guide-Push Rod	1266	●691917	Seal-O Ring (Intake Elbow)
803	693757	Housing-Starter	1036	790465	Label-Emission (Used After Code Date 04063000). ----- Note -----	1266A	●697123	Seal-O Ring (Intake Elbow)
803	691095	Stud-Rocker Arm				1267	697419	Latch-Blower Housing (Black) Used on Type No(s). 0236, 0239, 0289, 0290, 0296, 0372.
842	★691031	Seal-O Ring (Dipstick Tube)				1330	272147	Repair Manual
847	790442	Dipstick/Tube Assembly						
851	692424	Terminal-Spark Plug						
868	∅★690968	Seal-Valve						
877	393456	Wire/Connector- Alternator (Dual Circuit) Used on Type No(s). 0236, 0239, 0289, 0290, 0296, 0372.						
878	691237	Harness-Alternator (2 Wires, 48-1/2", And 48-1/2" Long) (Snap Connect Female Pin Terminal, And 2 Bare Wire Ends) Used on Type No(s). 0236, 0239, 0289, 0290, 0296, 0372.						
883	★692236	Gasket-Exhaust						

★ Included in Engine Gasket Set-Ref. No. 358.

● Included in Carburetor Overhaul Kit-
Ref. No. 121 or 121A.

■ Included in Carburetor Gasket Set-
Ref. No. 977. or 977A.

∅ Included in Valve Gasket Set-Ref. No. 1095.

Illustrations cover a range of engines. Parts shown without corresponding text may not be used on your specific engine.