

220400 to 220499

Illustrated Parts List

Model Series 220400 to 220499

TYPE NUMBERS
0111, 0112, 0113,
0116, 0120, 0121,
0130 through 0158
2035, 0273, 2070
and 2073

TO FIND

THE CORRECT NUMBER OF THE PART YOU NEED:

FOLLOW THE INSTRUCTIONS BELOW

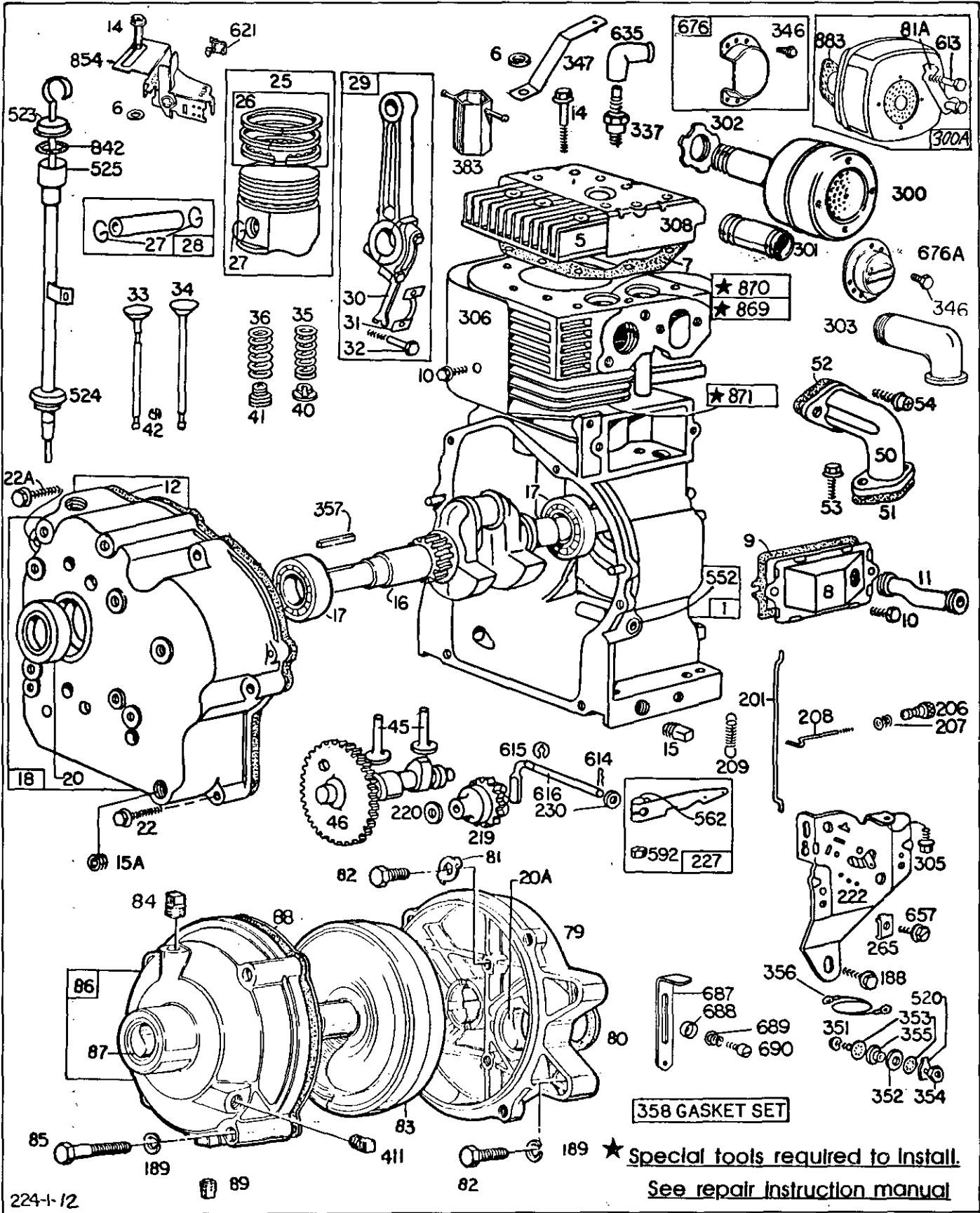
- A. Refer to Engine Model, Type and Code Number that is stamped on the blower housing of engine. Engine type numbers such as 012301 are listed herein only as 0123. The two digits (01 or 02, etc.) to the right of the space are not needed for parts identification. Then use the Illustrated Parts List covering the Model Series.
- B. Refer to Illustrated Parts section and compare the old part with illustration. The number on the illustration is the Reference Number. Assemblies include all parts shown in frames. All parts shown in assembly frames on which individual reference numbers are given can be purchased separately.
- C. After the Reference Number has been identified, refer to the Numerical Parts List, where Reference and Master Part Number are listed. **THE MASTER PART IS USED ON ALL TYPE NUMBERS EXCEPT THOSE TYPE NUMBERS UNDER "NOTE"**.
- D. If a "Note" appears below the Master Part Number, this means that this part differs from the Master Part for certain types. If the Type number is listed under "Note", order the part referred to.
- E. If the Engine Type Number does not appear after any part number listed under "Note", use the Master Part Number.
- F. For Type Numbers higher than those covered by this book, please refer to the factory if you are unable to identify the part by comparison.

PRINTED IN U.S.A.

COPYRIGHT©



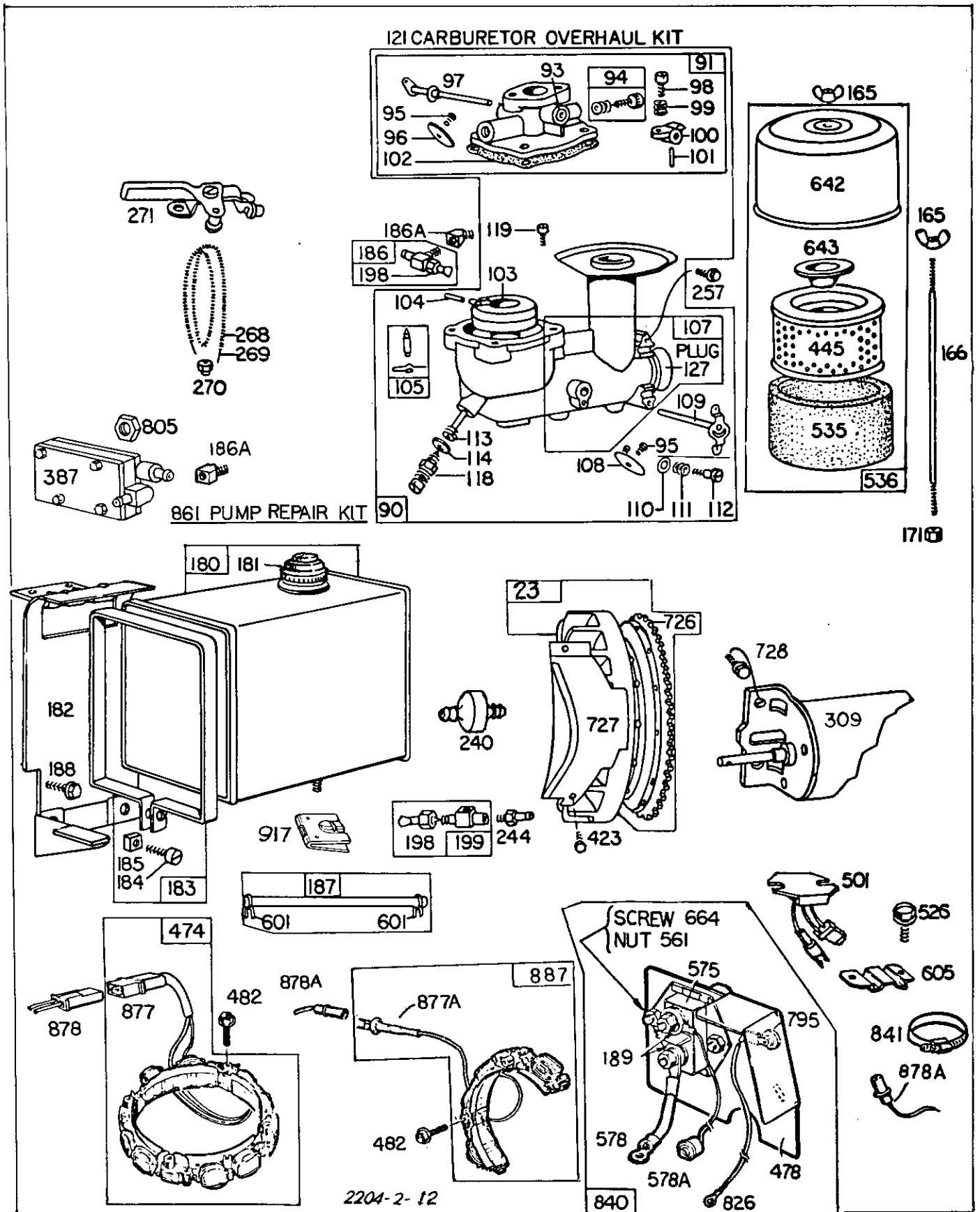
220400 to 220499



358 GASKET SET

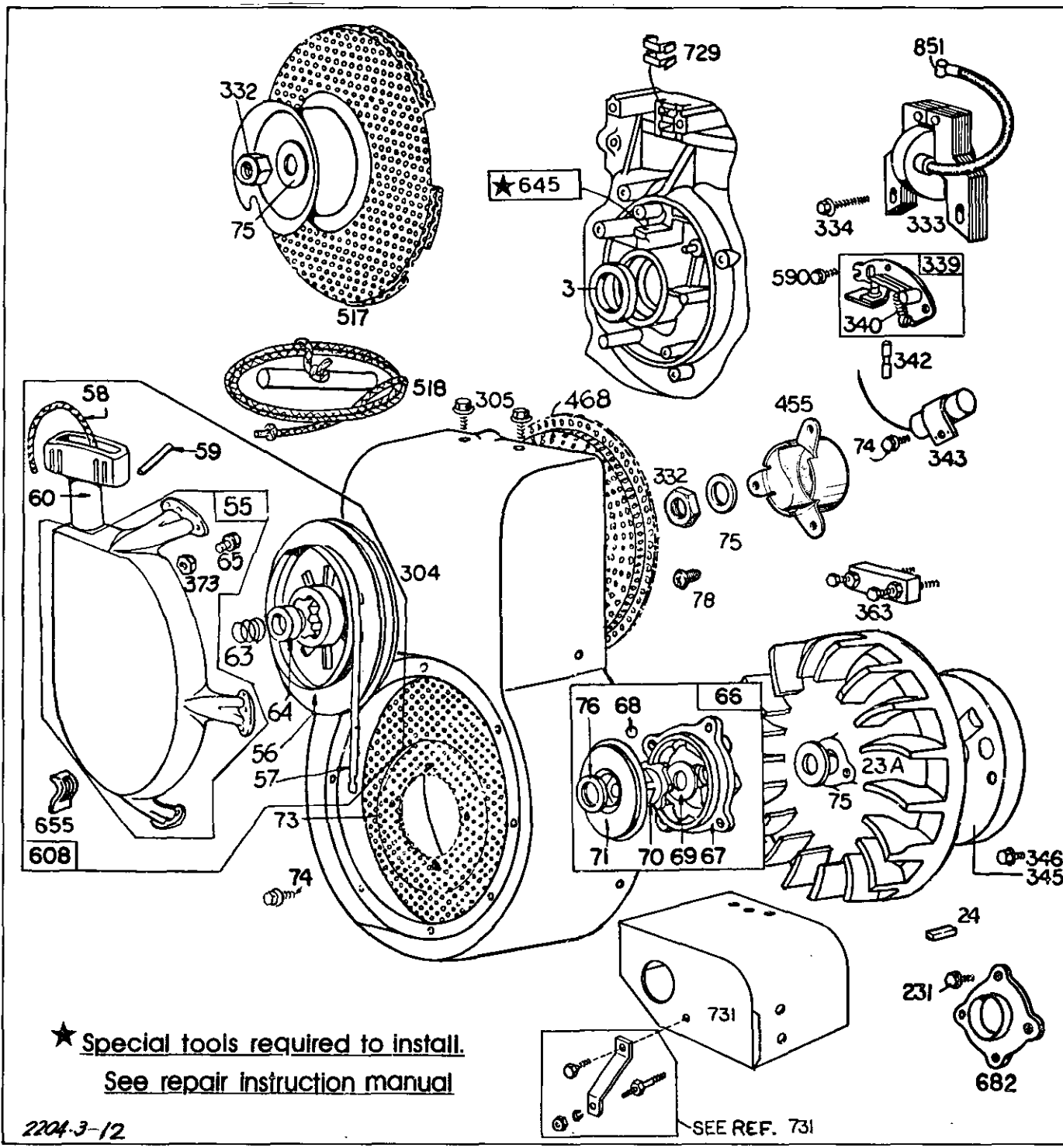
★ Special tools required to install.
See repair instruction manual

Assemblies include all parts shown in frames.



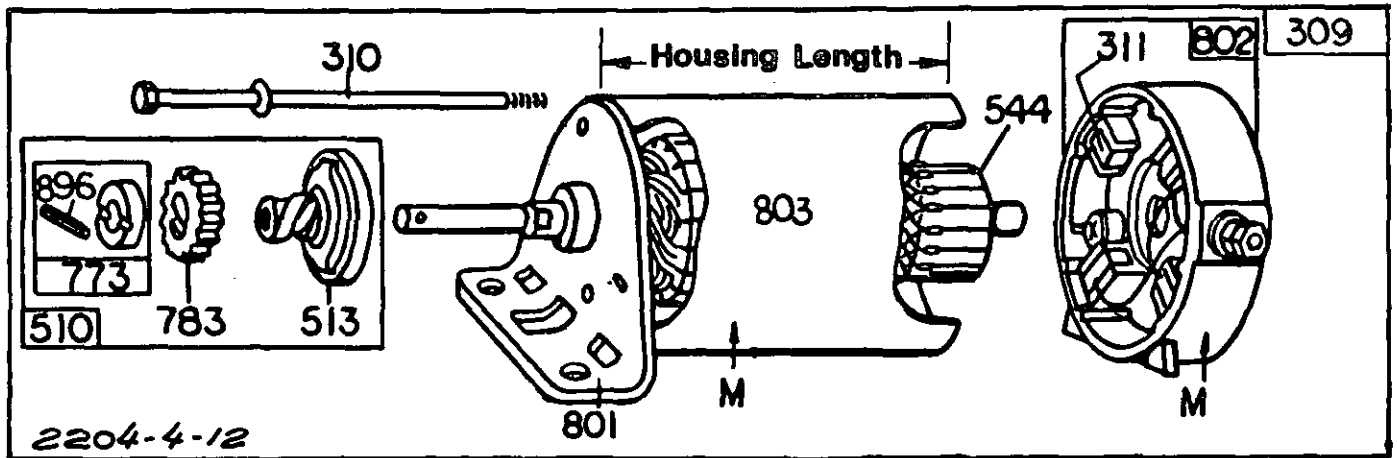
Assemblies include all parts shown in frames.

220400 to 220499



Assemblies include all parts shown in frames.

220400 to 220499



Subject		Ref. No. 309	Ref. No. 510	Ref. No. 801	Ref. No. 544	Ref. No. 803	Ref. No. 802	Ref. No. 311	Ref. No. 310
Starter Motor Mfr.		Motor and Drive Assy.	Drive Assembly	End Cap Assy. Drive	Armature Assembly	Housing Assembly	End Cap Assy. Commutator*	Brush Assembly	Thru Bolt Assembly
Briggs & Stratton	Housing Length								
†12V	3-1/16"	392749	391461**	392061	392747	392744	390846	391705	391706
12V	3-21/32"	394805	391461**	394856	392747	393825	395537	395538	94003

*Includes Brush Set

**Includes #391135 Clutch Assembly (Ref. No. 513)
 #280104 Gear (Ref. No. 783)
 #391462 Retainer and Pin (Ref. No. 773)
 # 93754 Roll Pin (Ref. No. 896)

NOTE: **Style Identification** of 12 Volt Motors. New Style: Thru Bolt Heads are Located on the Brush End Head Side.
 †Old Style: Brush End Head is 13/16" Wide

220400 to 220499

REF. NO.	PART NO.	DESCRIPTION	REF. NO.	PART NO.	DESCRIPTION	REF. NO.	PART NO.	DESCRIPTION
1	393887	Cylinder Assembly		261521	Crankshaft Used on Type Nos. 0116, 0121.	27	391783	Ring Set—Piston— .030" O.S.
3	391086	Seal—Oil				28	260924	Lock—Piston Pin
5	212366	Head—Cylinder	17	291667	Bearing—Ball	28	299691	Pin Assembly— Piston—Standard
	Note:	212501 Head— Cylinder Used on Type No. 0158.	18	393893	Cover Assembly— Crankcase		391286	Pin Assembly— Piston—.005" O.S.
6	22963	Washer		Note:	394671 Cover Assembly Crankcase Used on Type Nos. 0116, 0121.	29	393860	Rod Assembly— Connecting (Ref. 30 Dipper not included)
7	*271075	Gasket—Cylinder Hd.		394701	Cover Assembly— Crankcase Used on Type No. 0158.		Note:	393861 Rod Assy.— Connecting .020 U.S.
8	391575	Breather Assembly	20	291675	Seal—Oil	30	222329	Dipper—Connecting Rod
9	*27803	Gasket—Valve Cover	20A	391086	Seal—Oil	31	222299	Lock—Connecting Rod Screw
10	93394	Screw—Sem	22	93585	Screw—Crankcase Cover Mtg. Sem (5)	32	92909	Screw—Connecting Rod
11	280112	Tube—Breather		Note:	93730 Stud—Crankcase Cover Mtg. 90366 Washer—Lock Used on Type Nos. 0132, 0133, 0134, 0135, 0158.	33	261185	Valve—Exhaust
12	*270856	Gasket—Crankcase Cover—1/64" thick	22A	93764	Screw—Crankcase Cover Mtg. (1) (2-1/8" long)	34	261462	Valve—Intake
	*270857	Gasket—Crankcase Cover—.005" thick	23	391988	Flywheel and Ring Gear Assy.—Magneto	35	65906	Spring—Intake Valve
	*270858	Gasket—Crankcase Cover—.009" thick	23A	392157	Flywheel—Magneto (For Rope and Rewind Starter Engines)	36	26828	Spring—Exhaust Valve
14	93723	Screw—Cylinder Head (3" long)	24	61760	Key—Flywheel	40	221596	Retainer—Intake Valve
	Note:	93781 Stud—Cylinder Head (2) 22963 Washer (2) Used on Type Nos. 0132, 0133, 0134, 0135, 0139. 93211 Screw— Cylinder Head (6) Used on Type No. 0158.	25	391285	Piston Assembly— Standard	41	292260	Rotocoil—Exhaust Valve
15	91084	Plug—Oil Drain		391287	Piston Assembly— .010" O.S.	42	93630	Retainer—Exhaust Valve Rotocoil (2)
15A	93418	Plug—Hex. Socket		391288	Piston Assembly— .020" O.S.	45	261183	Tappet—Valve
16	261497	Crankshaft		391289	Piston Assembly— .030" O.S.	46	212296	Gear—Cam
	Note:	261502 Crankshaft Used on Type Nos. 0120, 0142. 261509 Crankshaft Used on Type Nos. 0112, 0139, 0149, 0150, 0156, 2037. 261510 Crankshaft Used on Type Nos. 0113, 0130, 0131, 0132, 0133, 0134, 0135, 0136, 0137, 0138, 0140, 0144, 0145, 0146, 0147, 0148, 0151, 0152, 0153, 0155, 2070, 2073.		PISTON RING SETS:	50	212301	Elbow—Intake	
				Note:	For Chrome Piston Ring Set—Standard Size— Order Part No. 392331.	51	†270267	Gasket—Carb. Mtg.
			26	391780	Ring Set—Piston— Standard	52	†270872	Gasket—Intake Elbow Mounting
				391781	Ring Set—Piston— .010" O.S.	53	93415	Screw—Carburetor Mounting Sem
				391782	Ring Set—Piston— .020" O.S.	54	93208	Screw—Intake Elbow Mounting Sem
						55	393576	Housing—Rewind Starter
						56	295871	Pulley—Rewind Starter (Includes 63" Rope)
						57	294303	Spring—Rewind Starter
						58	66884	Rope—Rewind Starter (63" long)
						59	230228	Pin—Starter Grip
						60	66728	Grip—Starter Rope
						63	260414	Spring—Ratchet
						64	230543	Adapter—Ratchet Spring
						65	93067	Screw—Rewind Starter
						66	298798	Clutch Assy.—Rewind Starter

*Included in Gasket Set—
Part No. 391834.

†Included in Carburetor Overhaul
Kit—Part No. 391071.

220400 to 220499

REF. NO.	PART NO.	DESCRIPTION	REF. NO.	PART NO.	DESCRIPTION	REF. NO.	PART NO.	DESCRIPTION
66A	393117	Clutch Assy.—Rewind Starter Used for Engines with Ring Gear on Flywheel equipped for or with Electric Motor .		392033	Carburetor Assembly (Manual Choke) Used on Type Nos. 0134, 0140.	109	391583	Shaft and Lever—Choke
67	212132	Housing		394745	Carburetor Assembly Used before Code No. 81060200		Note: 391884	Shaft and Lever—Choke Used on Type No. 0158.
67A	261453	Housing—Rewind Starter Clutch Used for Engines with Ring Gear on Flywheel equipped for or with Electric Motor .				110	62899	Washer—Choke Lever
68	63770	Ball—Clutch	91	391833	Body Assembly—Upper Carburetor	111	26155	Spring—Choke Lever
69	66718	Washer—Starter Clutch, Thrust	93	23108	Bushing—Throttle Shaft	112	23123	Screw—Choke Lever
70	298799	Ratchet—Rewind Starter Clutch	94	† 292681	Valve Assembly—Carburetor Idle	113	† 394730	Nozzle—Carburetor Used after Code No. 81060100.
71	221653	Washer—Retainer	95	93499	Screw—Throttle and Choke Valve Mounting Sem		Note: 390950	Nozzle—Carburetor Used before Code No. 81060200.
73	221796	Screen—Rotating	96	221939	Valve—Throttle		390395	Nozzle Carburetor Used before Code No. 81060200
74	93042	Screw—Sem	97	391596	Shaft and Lever—Throttle			
75	220865	Washer—Spring	98	91920	Screw—Machine, Fil. Hd.—8-32 x 5/8"	114	† 68667	Gasket—Nozzle
76	68238	Washer—Ratchet Sealing	99	26157	Spring—Throttle Adjustment	118	† 99525	Valve—Needle
78	93805	Screw—Sem	100	61967	Stop—Throttle	119	93496	Screw—Machine, Fil. Hd.—10-32 x 5/8"
79	296179	Case Assy.—Gear	101	93043	Pin—Throttle Stop	121	394989	Carburetor Overhaul Kit Used after Code No. 81060100.
80	27884	Gasket—Gear Case to Crankcase Cover	102	† 270268	Gasket—Carburetor Body		Note: 391071	Carburetor Overhaul Kit Used before Code No. 81060200.
81	220234	Lock—Gear Case Mounting Screw	103	298514	Float—Carburetor	127	† 221747	Plug—Welch
81A	223016	Lock Muffler Mtg. Screw.	104	† 230896	Pin—Float Hinge	165	93453	Nut—Wing
82	92502	Screw—Cap	105	† 394681	Valve—Fuel Inlet Used after Code No. 81060100.	166	231007	Stud—Air Cleaner
83	291762	Shaft Assy.—Drive		Note: 299096	Valve—Fuel Inlet Used before Code No. 81060200.		Note: 93110	Screw Used to plug Air Cleaner Stud Hole in bottom of Carburetor.
84	92617	Plug Breather	107	391829	Body Assembly—Lower Carburetor	171	92129	Nut—Hex.—1/4-28
85	91386	Screw—Gear Case Cover Mounting	108	391836	Valve—Choke	180	291488	Tank Assembly—Fuel (6 Quart)
86	296053	Cover Assy.—Gear Case					Note: 290816	Tank Assy.—Fuel (4 Quart) Used on Type No. 0158.
87	391086	Seal Oil						
88	27328	Gasket—Gear Case Cover						
89	91488	Plug—Oil Drain						
90	392587	Carburetor Assembly (Manual Choke) Used after Code No. 81060100.						
		Note: 391992 Carburetor Assembly (Manual Choke) Used on Type No. 0158.						

*Included in Gasket Set—
Part No. 391834.

†Included in Carburetor Overhaul
Kit—See Ref. 121.

220400 to 220499

REF. NO.	PART NO.	DESCRIPTION	REF. NO.	PART NO.	DESCRIPTION	REF. NO.	PART NO.	DESCRIPTION
181	392301	Cap—Fuel Tank Note: 297866 Cap—Fuel Tank Used on Type No. 0158.	209	260695	Spring—Governor Note: 260902 Spring—Gov. Used on Type No. 0135. 261306 Spring—Gov. Used on Type Nos. 0130, 0131, 0132, 0133, 0134, 0136, 0137, 0138, 0139, 0140, 0143, 0144, 0146, 0147, 0148, 0149, 0150, 0151, 0152, 0153, 0155, 2070, 2073.	301	93833	Nipple—Exhaust Used on Type No. 0158.
182	222827	Bracket—Fuel Tank Note: 222333 Bracket—Fuel Tank Used on Type No. 0158.	219	391737	Gear—Governor	302	261564	Locknut—Muffler
183	291490	Strap Assembly—Fuel Tank Note: 291367 Strap Assy.—Fuel Tank Used on Type No. 0158.	220	221551	Washer—Thrust	303	91308	Elbow—Muffler—90° Street
184	91257	Screw—Machine, Fil. Hd.—1/4-20 x 1-1/2"	222	391633	Plate—Gov. Control	304	391502	Housing—Blower Note: 392738 Housing—Blower Used on Type No. 0158.
185	90970	Nut—Square—1/4-20	227	391732	Lever Assy.—Governor	305	93158	Screw—Sem
186	390303	Connector & Shut-Off Valve—Fuel Pipe	230	222450	Washer—Gov. Crank	306	222744	Shield—Cylinder
186A	92780	Elbow—Connector Note: 230318 Connector Fuel Pipe Used on Type Nos. 0111, 0112, 0113, 0116, 0142.	231	93064	Screw—Sem	308	222725	Cover—Cylinder Head Note: 222306 Cover—Cylinder Head Used on Type No. 0158.
187	296004	Pipe—Fuel (23") Uses: 280275 Cable Tie	240	298090	Filter—Fuel	309		Motor—Starting (12 Volt) See Chart for Replacement Parts for Starting Motors on Page 5.
188	93535	Screw—Sem	244	230318	Connector—Fuel Pipe	332	92284	Nut—Hex.
189	90366	Washer—Lock, 5/16 x 1/8 x 1/16"	257	93543	Screw—Sem	333	298968	Armature Assembly
198	293934	Valve—Fuel Shut-Off	265	221535	Clamp—Casing	334	93381	Screw—Armature Mounting Sem
199	297563	Outlet—Fuel Tank	268	65616	Casing—Control Wire—72" long Note: If longer casing is required, specify length in inches; if shorter wire is needed, Order No. 65616 and cut to required length.	337	298809	Plug—Spark (1-1/2" high—37-42 M.M.) Note: 29693 Plug—Spark (2" high—51 M.M.) 293918 Plug—Spark (Resistor Type—1-1/2" high—37 M.M.) 392588 Plug—Spark (With Gasket) (2" high—51 M.M. Resistor Type)
201	261236	Link—Governor Note: 260478 Spring—Gov. Link Used on Type Nos. 0130, 0131, 0132, 0133, 0134, 0135, 0136, 0137, 0138, 0140, 0143, 0144, 0145, 0146, 0147, 0148, 0151, 0152, 0153, 0155, 2070, 2073.	269	26633	Wire—Control—78" long Note: If longer wire is required, specify length in inches; if shorter wire is needed, Order No. 26633 and cut to required length.	339	391284	Breaker Assy.—Ignition
206	230149	Nut—Governor Control Rod	270	63426	Locknut—Control Wire Casing	340	26018	Spring—Breaker Arm
207	26855	Spring—Governor Control Rod	271	290568	Lever Assy.—Control	342	65704	Plunger—Breaker Point
208	231062	Rod—Governor Control	300	391569	Muffler—Exhaust Note: 392989 Muffler—Exhaust (Less Tube) Used on Type Nos. 0130, 0131, 0140, 0158.	343	29861	Condenser
			300A	394170	Muffler—Exhaust (Square Lo-Tone)	345	222309	Cover—Breaker Point Note: 222517 Cover—Breaker Point Used on Type No. 0158.

220400 to 220499

REF. NO.	PART NO.	DESCRIPTION	REF. NO.	PART NO.	DESCRIPTION	REF. NO.	PART NO.	DESCRIPTION
351	93735	Screw—Terminal	525	392283	Tube—Oil Filler	682	211516	Shield—Starter Clutch
	Note:	91920 Screw—Terminal Used on Type Nos. 0130, 0131, 0132, 0133, 0134, 0135, 0143, 0144, 0145, 0147, 0148, 0151, 0152, 0153, 0154, 0155, 2037, 2070, 2073.		Note:	392655 Tube—Oil Fill (Impulse Fuel Pump) Uses: 280275 Cable Tie Used on Type Nos. 0134, 0140.	687	298957	Slide—Friction Control
352	66068	Washer—Insulating	526	93343	Screw—Regulator	688	221766	Cap—Friction Spring
353	92791	Washer—Lock— Shakeproof (3)	535	270782	Element—Air Cleaner	689	260847	Spring—Friction
354	90576	Nut—Hex.—8-32 (2)	536	391063	Cleaner Assy.—Air	690	92484	Screw—Machine, Fil. Hd., 10-32 x 1/2"
355	66554	Collar—Insulating	552	231056	Bushing—Gov. Crank	726	392134	Gear—Flywheel Ring (Includes Mounting Parts)
356	391602	Wire—Ground	561	92278	Nut—Hex. (1/4-20)	727	395405	Cover—Starter (Includes Mounting Screws)
	Note:	393334 Wire—Ground Used on Type Nos. 0137, 0149, 0150.	562	92613	Bolt—Governor Lever		391629	Cover and Shield— Starter (Used with Motor 392749)
357	91540	Key—Pulley	575	299139	Switch—Starting		Note:	221940 Guard—Ring Gear Uses:
358	391834	Gasket Set	578	392683	Wire—Starter Switch			93712 Screw (2)
363	19203	Puller—Flywheel (Optional Accessory)	578A	393109	Wire—Switch (Starter Switch to Alternator)			93713 Lockwasher (2) To mount Guard on Type Nos. 0111, 0112, 0113, 0116, 0131, 0133, 0135, 0136, 0137, 0138, 0139, 0142, 0143, 0145, 0146, 0147, 0149, 0151, 0152, 0153, 0154, 0155, 0156, 0157, 0158, 2035, 2037, 2070.
373	92987	Nut—Hex	590	93226	Screw—Breaker Adjusting Sem	728	93535	Screw—Sem
383	89838	Wrench—Spark Plug	592	231082	Nut—Hex.—10-24	729	221907	Clip—Wire
387	390665	Pump—Impulse	601	93053	Clamp—Fuel Pipe	731	394660	Hood—Snow
411	93448	Plug—Oil Level Hole	605	222934	Bracket—Regulator		Uses:	222710 Strap—Support
423	93984	Screw—Sem	608	390391	Starter Assy.—Rewind			93705 Screw (Hood to Strap)
	Note:	93410 Screw—Sem Used with Metal Starter Cover	613	93927	Screw, Hex. Head			93042 Screw (Hood to Blower Hsg.)
445	390930	Cartridge—Air Cleaner	614	93306	Cotter—Hair Pin			93559 Screw—Sem (Hood to Cyl. Hd.)
455	222561	Cup—Screen Mounting	615	93307	Retainer—E-Ring			91397 Nut—Hex Used on Type No. 0158. See Ref. 22 Note for Crankcase Cover Stud
468	222562	Screen—Flush Rotating	616	231057	Crank—Governor			
474	393474	Stator—Alternator (Dual Circuit)	621	297472	Switch—Stop			
	Note:	393295 Stator— Alternator (10 Amp.) (Uses Ref. No. 878A)	635	66538	Elbow—Spark Plug			
478	395410	Panel—Instrument Use 222751 Starter Panel on Engines before Code No. 81102100.		Note:	392273 Elbow—R.F. Suppressor (Only used with Spark Plug 29693) Used on Type Nos. 0149, 0150.			
482	93621	Screw—Sem	642	222271	Cover—Air Cleaner			
501	393374	Regulator—Alternator (10 Amp.)	643	222272	Cup—Air Cleaner			
517	295423	Pulley—Rope Starter	645	23513	Bushing—Breaker Plunger			
518	69932	Rope—Starter	655	222598	Anchor—Spring			
520	93722	Terminal—Spade	657	93496	Screw—Sem			
523	392295	Cap and Dipstick— Oil Filler	664	93415	Screw—Sem			
524	68838	Seal—Filler Tube	676	393761	Deflector—Muffler			
				Note:	For Spark Arrestor, Order No. 392390. Used on Type Nos. 2035, 2037, 2070, 2073.			
			676A	222902	Deflector—Muffler (Louvered Outlet) Used on Type No. 0154.			

220400 to 220499

REF. NO.	PART NO.	DESCRIPTION	REF. NO.	PART NO.	DESCRIPTION	REF. NO.	PART NO.	DESCRIPTION
795	392697	Switch—Ignition (Toggle) Uses: 93888 Hex. Nut Note: 392833 Switch—Ignition (Key)			Note: 395409 Panel Kit—Starter (Key Switch) Use 392725 Starter Panel Kit on Engines before Code No. 81102100.	870	210940	Seat—Exhaust Valve (Standard)
805	231001	Locknut—Impulse Pump	841	393514	Clamp—Regulator	871		Guide—Exhaust Valve 231218 or 230655 See Repair Manual
826	392684	Wire—Panel (Starter Switch to Ground Wire Terminal)	842	270933	Seal—Oil Filler Cap	877	393456	Diode & Connector Assembly
840	395408	Panel Kit—Starter (Toggle Switch) Use 392918 Starter Panel Kit on Engines before Code No. 81102100.	851	221798	Terminal—Ignition Cable	877A	393814	Diode and Connector Assembly (D.C.)
			854	392884	Bracket Assembly—Stop Switch	878	393362	Alternator Harness Assembly
			855	231145	Stack—Carburetor Uses: 222726 Strap	878A	393422	Alternator Harness Assembly
			861	394462	Repair Kit—Pump	883	270917	Gasket—Exhaust
			869	261463	Seat—Intake Valve (Standard)	887	391529	Stator Assembly—Alternator (D.C.)
						917	223271	Valve Handle—Fuel Shut-off

