

# Illustrated Parts List

## Model Series

### 221400 to 221499

TYPE NUMBERS  
0111 through 0199,  
0200 through 0213,  
0300 through 0353,  
1345,1353,  
2035 through 2073,  
2135 through 2174,  
4001 through 4090,  
5001, 5005, 5006,  
5035 through 5070.

**TO FIND  
THE CORRECT NUMBER OF THE PART YOU NEED:  
FOLLOW THE INSTRUCTIONS BELOW**

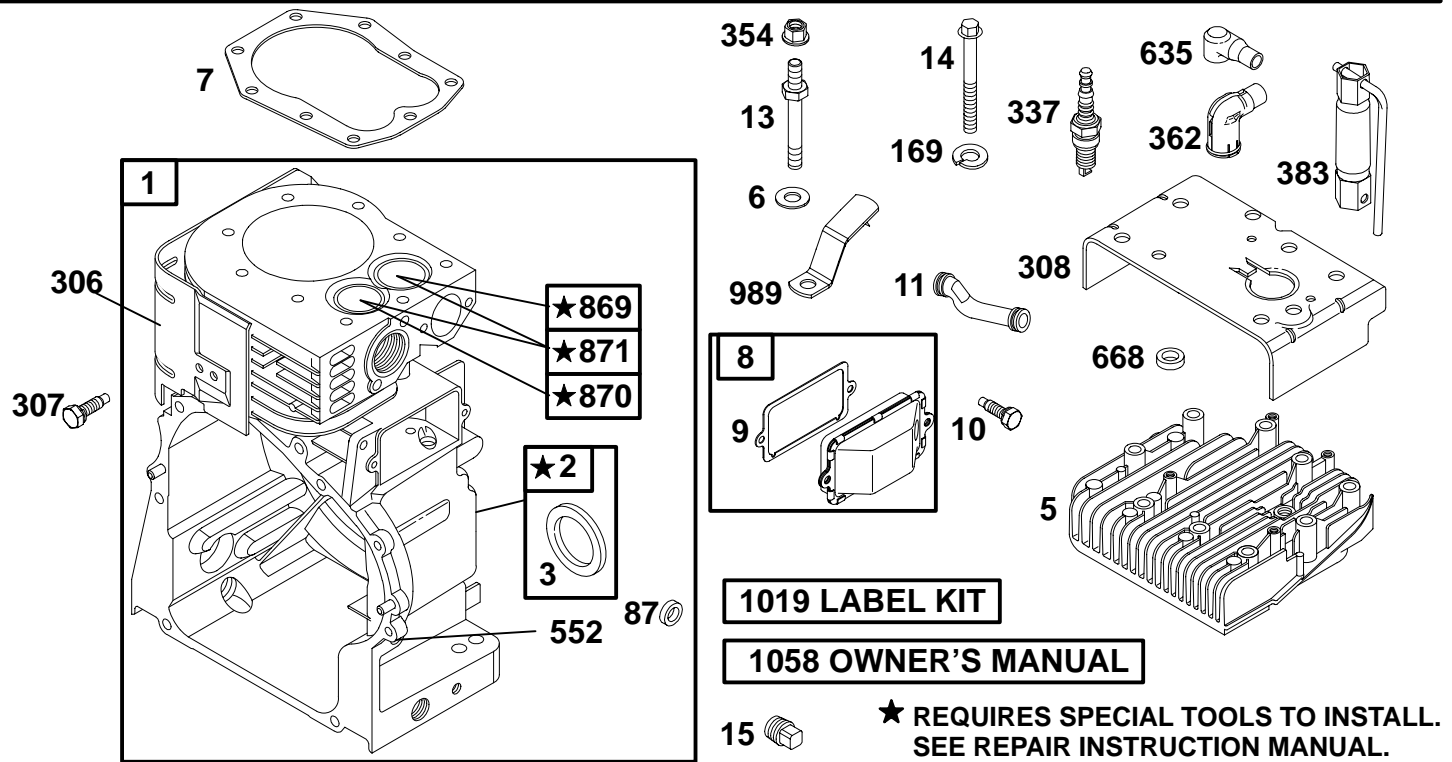
- A. Refer to Engine Model, Type and Code Number that is stamped on the blower housing of engine. Engine type numbers such as 0123 01 are listed only as 0123 in most instances. The two digits (01 or 02, etc.) to the right of the space may be required for more accurate parts identification in some instances. Select the Illustrated Parts List covering the correct Model Series and Type Number.
- B. Refer to the Illustrations and compare the original part with Illustration. The number next to the illustration is the Reference Number. Assemblies include all parts shown in frames. All parts shown in assembly frames having individual reference numbers can be purchased separately.
- C. After the Reference Number has been identified, refer to the Numerical text, where Reference and Primary Part Number are listed. **THE PRIMARY PART IS USED ON ALL TYPE NUMBERS EXCEPT THOSE TYPE NUMBERS UNDER "NOTE."**
- D. If a "Note" appears below the Primary Part Number, it means that this part differs from the Primary Part for certain types. If your Type number is listed under "Note," order the part referred to at the "Note."
- E. If your Engine Type Number does not appear after any part number listed under "Note," use the Primary Part Number.
- F. For Engine Type Numbers not covered by this book, check other Parts Lists having the same engine model or contact your source of supply.

PRINTED IN U.S.A.



COPYRIGHT by BRIGGS & STRATTON CORPORATION  
All rights reserved. No part of this material may be reproduced or transmitted, in any form or by any means, electronic or mechanical, including photocopying, recording or by any information storage and retrieval system, without permission in writing from Briggs & Stratton Corporation.

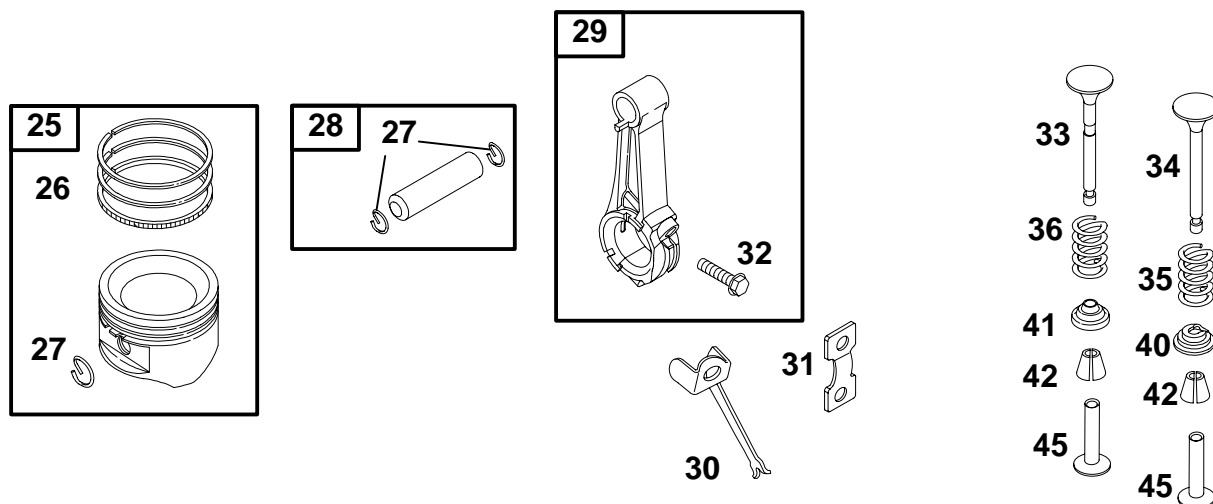
# 221400 to 221499



REF. NO.	PART NO.	DESCRIPTION	REF. NO.	PART NO.	DESCRIPTION	REF. NO.	PART NO.	DESCRIPTION
1	394656	Cylinder Assembly <b>Note</b> 497411 Cylinder Assembly Used on Type No(s). 1345, 1353, 5001, 5035, 5037, 5038, 5045, 5049, 5070.	14	94622	Screw-Hex. (3" Lg.) <b>Note</b> 94565 Screw-Hex. (2 5/8" Lg.) Used on Type No(s). 0346, 0347. 94931 Stud-Hex. Drive (2 1/2" Lg.) 94926 Stud-Hex. Drive (3 9/16" Lg.) 22963 Washer Plug-Oil Drain <b>Note</b> 92738 Plug-Oil Drain (Magnetic)	337	492167	Plug-Spark (1 7/8" High, 48 mm) <b>Note</b> 298809 Plug-Spark (1 1/2" High, 38 mm) 802592 Plug-Spark (Resistor Type)
2	399265	Bushing	15	94239	Plug-Oil Drain <b>Note</b> 92738 Plug-Oil Drain (Magnetic)	354	94726	Nut-Hex.
3	★391086	Seal-Oil	87	★491323	Seal-Governor Shaft	362	392273	Shield-Spark Plug
5	214194	Head-Cylinder <b>Note</b> 212501 Head-Cylinder Used on Type No(s). 0194, 0195, 0209, 0311, 0332, 0344, 0348. 212917 Head-Cylinder Used on Type No(s). 0346, 0347.	169	90366	Washer-Lock	383	89838	Wrench-Spark Plug
6	22963	Washer	306	224882	Shield-Cylinder	552	491893	Bushing-Governor Crank (Includes Seal, Ref. 87)
7	★Ø271866	Gasket-Cylinder Head	307	94386	Screw-Hex.	635	66538	Boot-Spark Plug
8	495736	Breather Assembly	308	224897	Cover-Cylinder <b>Note</b> 222306 Cover-Cyl. Used on Type No(s). 0194, 0195, 0209, 0311, 0332, 0344, 0346, 0347, 0348.	668	231186	Spacer
9	★Ø27803	Gasket-Breather				869	261463	Seat-Valve (Intake)
10	94719	Screw-Hex.				870	262924	Seat-Valve (Exhaust)
11	280112	Tube-Breather				871	261961	Bushing-Guide (Exhaust Valve) <b>Note</b> 231218 Bushing Guide (Intake Valve) (Brass)
13	94776	Stud-Hex. Drive				989	393242	Switch-Stop
						1019	491253	Label Kit
						1058	270861	Owner's Manual

★ Included in Gasket Set-Part No. 492653.  
● Included in Carburetor Kit-See Ref. 121.

Ø Included in Valve Overhaul Gasket Set-Part No. 498537.

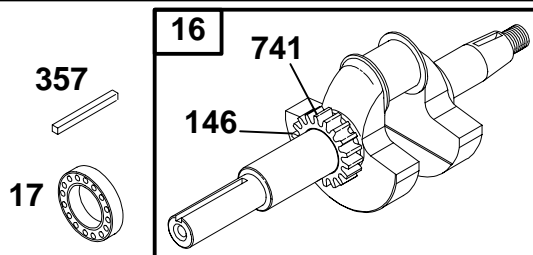


REF. NO.	PART NO.	DESCRIPTION	REF. NO.	PART NO.	DESCRIPTION	REF. NO.	PART NO.	DESCRIPTION
25	394661	Piston Assembly (Standard) —— <b>Note</b> —— 394662 Piston Assy. (.010" O.S.) 394663 Piston Assy. (.020" O.S.) 394664 Piston Assy. (.030" O.S.)	27	263129	Lock—Piston Pin —— <b>Note</b> —— 260924 Lock—Piston Pin (Used Before Code Date 95101600).	32	92909	Screw—Conn. Rod
26	391780	Ring Set (Standard) —— <b>Note</b> —— 392331 Ring Set (Standard, Chrome) 391781 Ring Set (.010" O.S.) 391782 Ring Set (.020" O.S.) 391783 Ring Set (.030" O.S.)	28	498319	Pin—Piston (Standard) —— <b>Note</b> —— 498320 Pin—Piston (.005" O.S.) 299691 Pin—Piston (Standard) 391286 Pin—Piston (.005" O.S.) (Used Before Code Date 95101600).	33	261185	Valve—Exhaust
			29	393860	Rod—Connecting (Standard) —— <b>Note</b> —— 393861 Rod—Connecting (.020" Undersize)	34	261462	Valve—Intake
			30	222329	Dipper—Conn. Rod	35	65906	Spring—Valve (Intake)
			31	222299	Lock—Rod Screw	36	26828	Spring—Valve (Exhaust)
						40	221596	Retainer—Valve (Intake)
						41	292260	Retainer—Valve (Exhaust) —— <b>Note</b> —— 68293 Retainer—Valve Used on Type No(s). 2050, 2150, 4050.
						42	494553	Keeper—Valve
						45	262248	Tappet—Valve

★ Included in Gasket Set—Part No. 492653.  
● Included in Carburetor Kit—See Ref. 121.

∅ Included in Valve Overhaul Gasket Set—Part No. 498537.

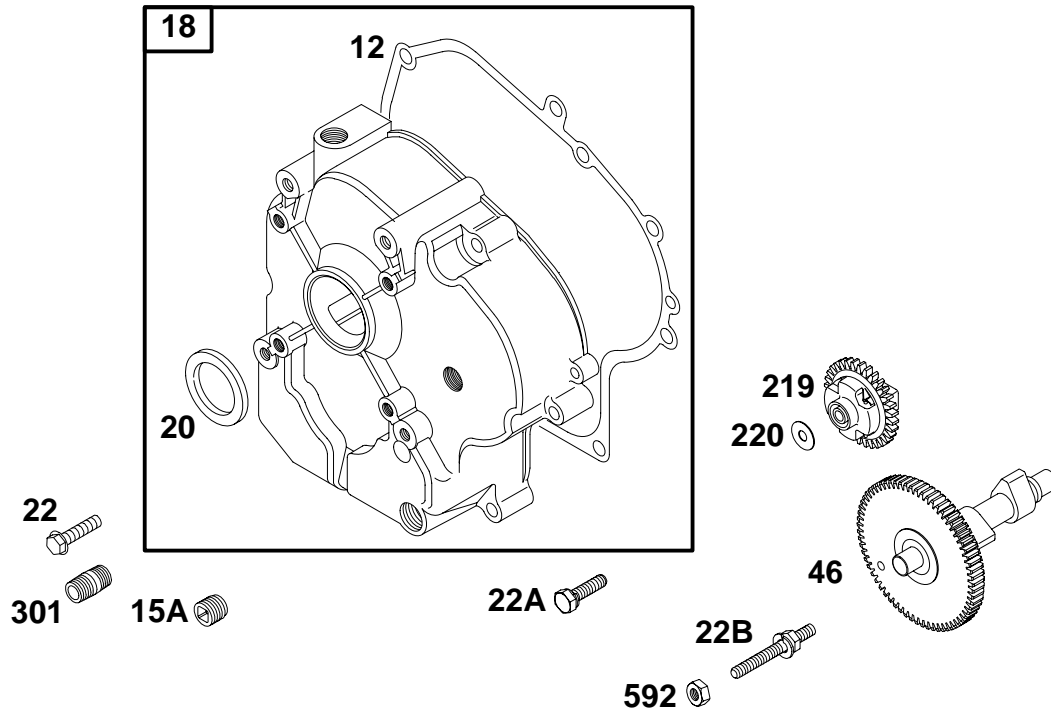
# 221400 to 221499



REF. NO.	PART NO.	DESCRIPTION	REF. NO.	PART NO.	DESCRIPTION	REF. NO.	PART NO.	DESCRIPTION
16	491640	Crankshaft <b>Note</b> <b>399700</b> Crankshaft (Used Before Code Date 82080100). <b>399749</b> Crankshaft Used on Type No(s). 0346, 0347. <b>491636</b> Crankshaft Used on Type No(s). 0113, 0130, 0131, 0132, 0139, 0141, 0144, 0148, 0149, 0151, 0152, 0153, 0154, 0157, 0159, 0160, 0164, 0165, 0167, 0171, 0172, 0174, 0176, 0177, 0178, 0182, 0185, 0187, 0188, 0192, 0196, 0200, 0202, 0208, 0210, 0211, 0313, 0315, 0316, 0317, 0322, 0324, 0328, 0329, 0330, 0333, 0336, 0340, 0341, 0351, 2070, 2073, 2170, 2171, 2173, 4003, 4007, 4070. <b>491637</b> Crankshaft Used on Type No(s). 0116, 0121, 0137, 0150, 0163, 0303, 2049, 2050, 2148, 2149, 2150, 4038, 4049, 4050. <b>399712</b> Crankshaft (Used Before Code Date 82080100). Used on Type No(s). 0116, 0121, 0137,			0150, 0163, 0303, 2049, 2050, 2148, 2149, 2150, 4038, 4049, 4050. <b>491639</b> Crankshaft Used on Type No(s). 0112, 0134, 0135, 0136, 0145, 0155, 0158, 0170, 0173, 0191, 0203, 0310, 0312, 0320, 0321, 0327, 0334, 0345, 0352, 2037, 2137, 4005, 4006, 4037. <b>399708</b> Crankshaft (Used Before Code Date 82080100). Used on Type No(s). 0112, 0134, 0135, 0136, 0145, 0155, 0158, 0170, 0173, 0191, 0203, 0310, 0312, 0320, 0321, 0327, 0334, 0345, 0352, 2037, 2137, 4005, 4006, 4037. <b>496541</b> Crankshaft Used on Type No(s). 1345, 5005, 5006, 5037. <b>497487</b> Crankshaft Used on Type No(s). 1353, 5035, 5045. <b>497489</b> Crankshaft Used on Type No(s). 5070. <b>497490</b> Crankshaft Used on Type No(s). 5038, 5049.			17 <b>291667</b> Bearing–Ball (2) (One Ball Bearing) Used on Type No(s). 1345, 1353, 5035, 5037, 5038, 5045, 5049, 5070. <b>146</b> <b>94196</b> Key–Timing <b>357</b> <b>91540</b> Key–Drive Pulley <b>741</b> <b>262932</b> Gear–Timing <b>Note</b> <b>262135</b> Gear–Timing (Used Before Code Date 93021800).

★ Included in Gasket Set–Part No. 492653.  
 ● Included in Carburetor Kit–See Ref. 121.

∅ Included in Valve Overhaul Gasket Set–Part No. 498537.

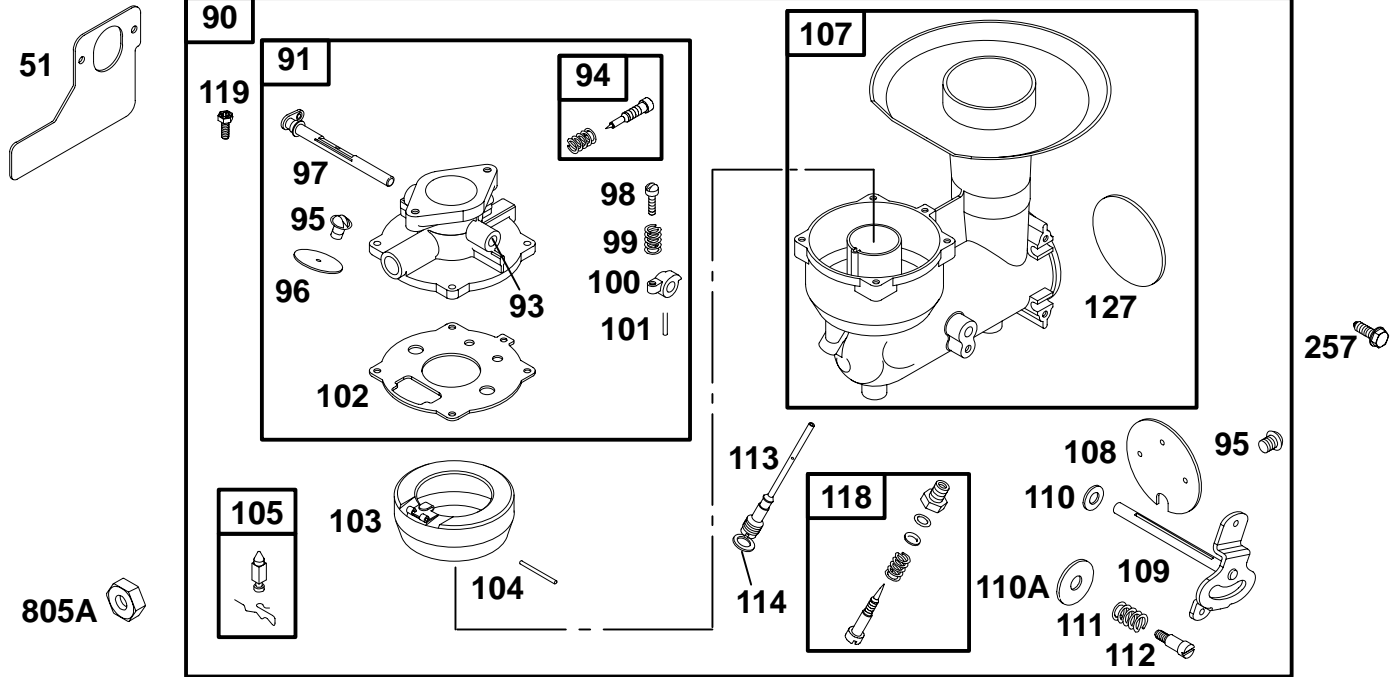


REF. NO.	PART NO.	DESCRIPTION	REF. NO.	PART NO.	DESCRIPTION	REF. NO.	PART NO.	DESCRIPTION
12	★272125	Gasket-Crankcase (.015" Thick, Standard) <b>Note</b>	18	496977	Cover-Crankcase <b>Note</b>	46	212897	Gear-Cam
	★272219	Gasket-Crankcase (.005" Thick)		496978	Cover-Crankcase Used on Model Series 221452 and 221457.	219	494845	Gear-Governor <b>Note</b>
	★272220	Gasket-Crankcase (.009" Thick)	20	★291675	Seal-Oil		391737	Gear-Gov. (Used Before Code Date 91061000).
15A	94720	Plug-Oil Drain <b>Note</b>	22	93585	Screw-Hex.	220	221551	Washer-Thrust
	93720	Plug-Oil Drain Used on Type No(s). 0311.	22A	93764	Screw-Hex. (Install in #6 Position)	301	93978	Pipe-Oil
			22B	94931	Stud-Hex.	592	94726	Nut-Hex.

★ Included in Gasket Set-Part No. 492653.  
● Included in Carburetor Kit-See Ref. 121.

∅ Included in Valve Overhaul Gasket Set-Part No. 498537.

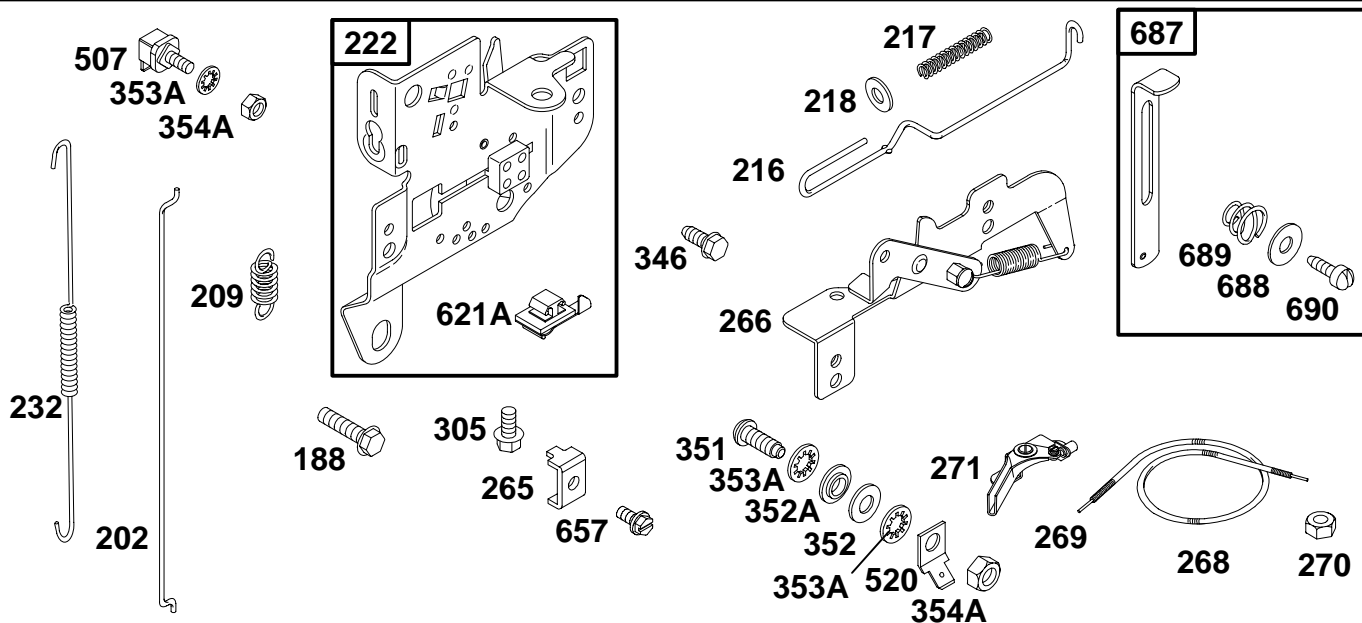
# 221400 to 221499



REF. NO.	PART NO.	DESCRIPTION	REF. NO.	PART NO.	DESCRIPTION	REF. NO.	PART NO.	DESCRIPTION
51	★270267	Gasket-Intake	98	91920	Screw-Slotted	110	224026	Washer
90	392587	Carburetor	99	26157	Spring-Friction	110A	222712	Washer
		<b>Note</b>	100	212904	Stop-Throttle	111	26155	Spring-Lever
		391831 Carburetor	101	93043	Pin-Shaft	112	23123	Screw-Shoulder
		Used on Type No(s). 0207.	102	●270268	Gasket-Carburetor Body	113	●394730	Nozzle-Carburetor
		391992 Carburetor	103	298514	Float-Carburetor			<b>Note</b>
		Used on Type No(s). 0194, 0195, 0209.	104	●230896	Pin-Float Hinge			●390950 Nozzle-Carb.
		392033 Carburetor	105	●394681	Valve-Needle			(Used Before Code Date 81060200).
		Used on Type No(s). 0144, 0153, 0154, 0205, 0326, 0342, 2174.			<b>Note</b>			390395 Nozzle-Carb.
		399252 Carburetor			394682 Valve-Needle			(Used Before Code Date 81060200).
		Used on Type No(s). 0311, 0332, 0348.			(Includes Brass Seat)			Used on Type No(s). 0130, 0131, 0132, 0139, 0141, 0149, 2070, 2073.
91	391833	Body Assembly-Upper	107	391829	Body Assembly-Lower	114	●68667	Gasket-Nozzle
		<b>Note</b>	108	391836	Valve-Choke	118	●99525	Valve-High Speed
		392032 Body Assy.-Upper			<b>Note</b>			223781 Valve-Choke
		Used on Type No(s). 0144, 0153, 0154, 0205, 0326, 0342, 2174.			Used on Type No(s). 0311, 0332, 0348.			2235 Washer
93	23108	Bushing-Throttle Shaft	109	391583	Shaft-Choke			26336 Spring-Needle Valve
94	●292681	Valve-Idle Adjusting			<b>Note</b>			65978 Seal-O-Ring
95	93499	Screw-Round Head			391884 Shaft-Choke			394033 Valve-Idle Adjustment
96	221939	Valve-Throttle			Used on Type No(s). 0194, 0195, 0209, 0311, 0332, 0348.	119	94152	Screw-Torx®Hex.
97	391596	Shaft-Throttle			396699 Shaft-Choke	127	●221747	Plug-Welch
					Used on Type No(s). 0207.	257	93543	Screw-Hex.
						805A	231001	Nut-Lock

★ Included in Gasket Set-Part No. 492653.  
● Included in Carburetor Kit-See Ref. 121.

∅ Included in Valve Overhaul Gasket Set-Part No. 498537.

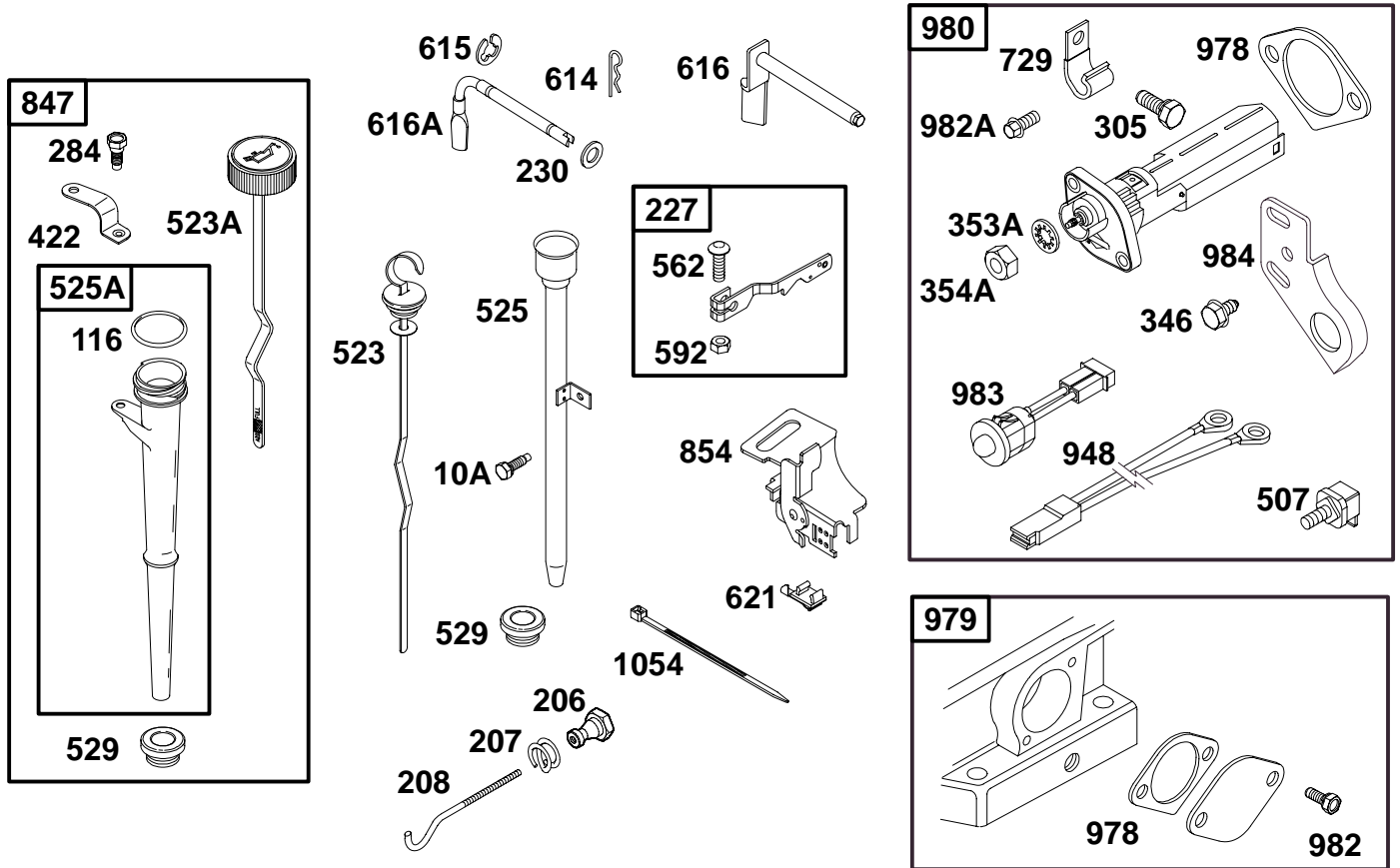


REF. NO.	PART NO.	DESCRIPTION	REF. NO.	PART NO.	DESCRIPTION	REF. NO.	PART NO.	DESCRIPTION			
188	94627	Screw-Hex. (3/4" Long) <b>Note</b> 94786 Screw-Hex. (1/2" Long)			0314, 0315, 0316, 0317, 0320, 0321, 0322, 0323, 0324, 0325, 0328, 0329, 0330, 0333, 0336, 0339, 0340, 0341, 0344, 0345, 0348, 0351, 1345, 2070, 2073, 2170, 2171, 2173, 4001, 4003, 4005, 4006, 4007, 4070, 5001, 5005, 5006, 5070.	351	93735	Screw-Slotted <b>Note</b> 91920 Screw-Slotted Used on Type No(s). 0130, 0131, 0132, 0141, 0144, 0146, 0147, 0148, 0149, 0150, 0151, 0152, 0153, 0154, 0157, 0159, 0160, 0167, 0170, 0171, 0172, 0173, 0174, 0178, 0179, 0182, 0188, 0191, 0196, 0197, 0199, 0200, 0201, 0202, 0203, 0207, 2045, 2049, 2050, 2070, 2073.			
202	261236	Link-Mechanical Governor				352	66068	Washer-Fiber			
209	260695	Spring-Governor <b>Note</b> 261129 Spring-Gov. Used on Type No(s). 0140, 0332, 0346, 0347. 261306 Spring-Gov. Used on Type No(s). 0130, 0131, 0132, 0134, 0135, 0136, 0139, 0141, 0144, 0147, 0148, 0149, 0150, 0151, 0152, 0153, 0154, 0157, 0158, 0159, 0160, 0162, 0163, 0164, 0165, 0166, 0167, 0171, 0172, 0174, 0178, 0182, 0184, 0185, 0186, 0187, 0188, 0192, 0193, 0194, 0195, 0196, 0197, 0200, 0202, 0203, 0208, 0209, 0210, 0211, 0213, 0310, 0311, 0313,	216	262027	Link-Choke	217	261119	Spring-Link	352A	66554	Washer-Fiber
			218	222352	Washer	353A	92791	Washer-Lock	354A	90576	Nut-Hex.
			222	399152	Bracket-Control <b>Note</b> 391633 Bracket-Cont. (Used Before Code Date 83121600).	354A	90576	Nut-Hex.	507	398525	Insulator
			232	260478	Spring-Link	520	93722	Terminal	621A	396847	Switch-Stop <b>Note</b> 297472 Switch-Stop (Used Before Code Date 85041400).
			265	221535	Clamp-Casing	657	93496	Screw-Slotted Hex.	687	390701	Slide-Control
			266	392150	Control-Throttle	688	221766	Cap-Spring	689	260847	Spring-Friction
			268	65616	Casing-Wire (72" Long Cut to Required Length)	690	90746	Screw-Slotted			
			269	26633	Wire-Control (78" Long Cut to Required Length)						
			270	63426	Locknut-Casing						
			271	290568	Lever-Control						
			305	94786	Screw-Hex.						
			346	94896	Screw-Hex.						

★ Included in Gasket Set-Part No. 492653.  
● Included in Carburetor Kit-See Ref. 121.

∅ Included in Valve Overhaul Gasket Set-Part No. 498537.

# 221400 to 221499

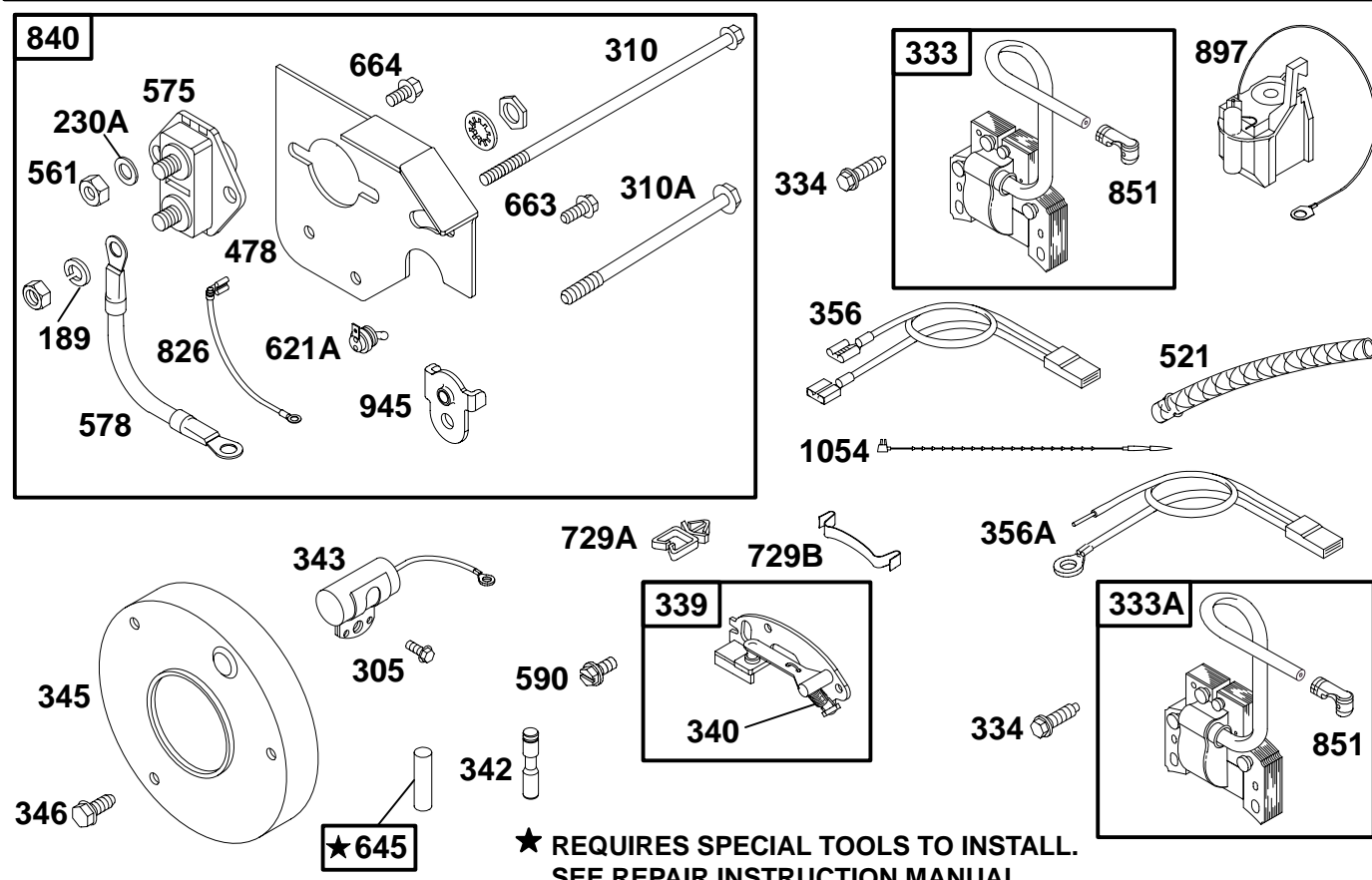


REF. NO.	PART NO.	DESCRIPTION	REF. NO.	PART NO.	DESCRIPTION	REF. NO.	PART NO.	DESCRIPTION
10A	94930	Screw-Hex.	346	94896	Screw-Hex.	529	★281370	Seal-Fill Tube
116	★271170	Seal-O-Ring	353A	92791	Washer-Lock	562	94907	Bolt-Governor Lever
206	231266	Nut	354A	90576	Nut-Hex.	592	231978	Nut-Hex.
		<b>Note</b>	422	225111	Bracket-Oil Fill	614	93306	Pin-Cotter
		230149 Nut	507	398525	Insulator	615	93307	Retainer
		(Used Before Code	523	490665	Dipstick	616	495241	Crank-Governor
		Date 83121600).	523A	497214	Dipstick	616A	231057	Crank-Governor
207	26855	Spring-Control Rod	525	496517	Tube-Oil Fill	621	297472	Switch-Stop
208	261959	Rod-Governor Control			<b>Note</b>	729	223528	Clip-Wire
		<b>Note</b>			491871 Tube-Oil Fill	847	497458	Dipstick/Tube
		231062 Rod-Governor			(Used After Code Date			Assembly
		Control			88102500).	854	392884	Bracket-Stop Switch
		(Used Before Code			Used on Type No(s).	948	398661	Harness-Wiring
		Date 83121600).			0342, 2174.	978	★271736	Gasket
227	396775	Lever-Governor			392655 Tube-Oil Fill	979	494807	Cover-OIL GARD®
		<b>Note</b>			(Impulse Fuel Pump)	980	398182	OIL GARD® Kit
		391732 Lever-			(Used Before Code	982	94658	Screw-Hex.
		Governor			Date 88102600).	982A	94657	Screw-Hex.
		(Used Before Code			Used on Type No(s).	983	398660	Light-Indicator
		Date 83121600).			0144, 0152, 0153,	984	223773	Bracket-Light
230	94927	Washer			0154, 0196, 0205,	1054	280275	Tie-Cable
284	93886	Screw-Shoulder			0326, 0342, 2174.			
305	94786	Screw-Hex.	525A	495347	Tube-Oil Fill			

★ Included in Gasket Set-Part No. 492653.  
● Included in Carburetor Kit-See Ref. 121.

∅ Included in Valve Overhaul Gasket Set-Part No. 498537.





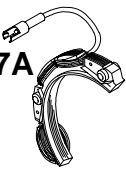
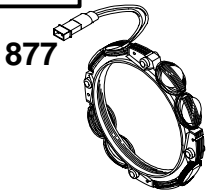


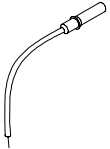
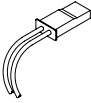
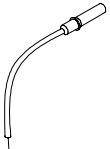
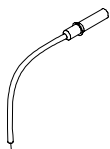
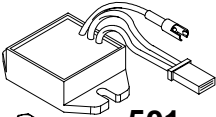

★ REQUIRES SPECIAL TOOLS TO INSTALL.  
SEE REPAIR INSTRUCTION MANUAL.

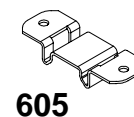
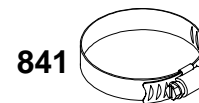
REF. NO.	PART NO.	DESCRIPTION	REF. NO.	PART NO.	DESCRIPTION	REF. NO.	PART NO.	DESCRIPTION
189	90366	Washer-Lock	356	491391	Wire-Stop	561	92278	Nut-Hex.
230A	91325	Washer			<b>Note</b> _____	575	299139	Switch-Starting
305	93042	Screw-Hex.			<b>398838</b> Wire-Stop	578	392683	Wire Assembly
310	94003	Screw-Hex.			Used on Type No(s).	590	93226	Screw-Slotted Hex.
310A	94169	Screw-Hex.			0209, 0311, 0318,	621A	496590	Switch-Toggle
333	398811	Armature-Magneto			0319, 0325, 0332,			<b>Use(s):</b>
333A	298968	Armature-Magneto (For Points and Condenser)			0338, 0340, 0341,			<b>93888</b> Nut-Hex.
334	94731	Screw-Hex.	356A	398808	Wire-Stop	645	23513	Bushing-Plunger
339	391284	Breaker-Ignition			<b>Note</b> _____	663	94620	Screw-Hex.
340	26018	Spring-Breaker Arm			<b>396585</b> Wire-Stop	664	93415	Screw-Hex.
342	65704	Plunger-Breaker			Used on Type No(s).	729A	280590	Clip-Wire
343	29861	Condenser			0131, 0135, 0140,	729B	221907	Clip-Wire
345	222517	Cover-Breaker			0141, 0147, 0150,	826	397674	Harness-Wiring
346	94896	Screw-Hex.			0152, 0162, 0163,	840	395408	Kit-Panel
					0166, 0171, 0183.	851	493880	Terminal-Cable
			478	395410	Panel	897	394970	Magnetron® Ignition Kit
			521	291508	Shielding-Cable	945	223159	Bracket-Motor
						1054	270723	Tie-Cable


★ Included in Gasket Set-Part No. 492653.  
● Included in Carburetor Kit-See Ref. 121.

∅ Included in Valve Overhaul Gasket Set-Part No. 498537.

# 221400 to 221499

DC ONLY	DUAL CIRCUIT	AC ONLY	10 AMP
SEE FLYWHEEL ASSEMBLY	SEE FLYWHEEL ASSEMBLY	SEE FLYWHEEL ASSEMBLY	SEE FLYWHEEL ASSEMBLY
474 	474A 	474B 	474C 
878A 	878 	878A 	878A 
			501  526 

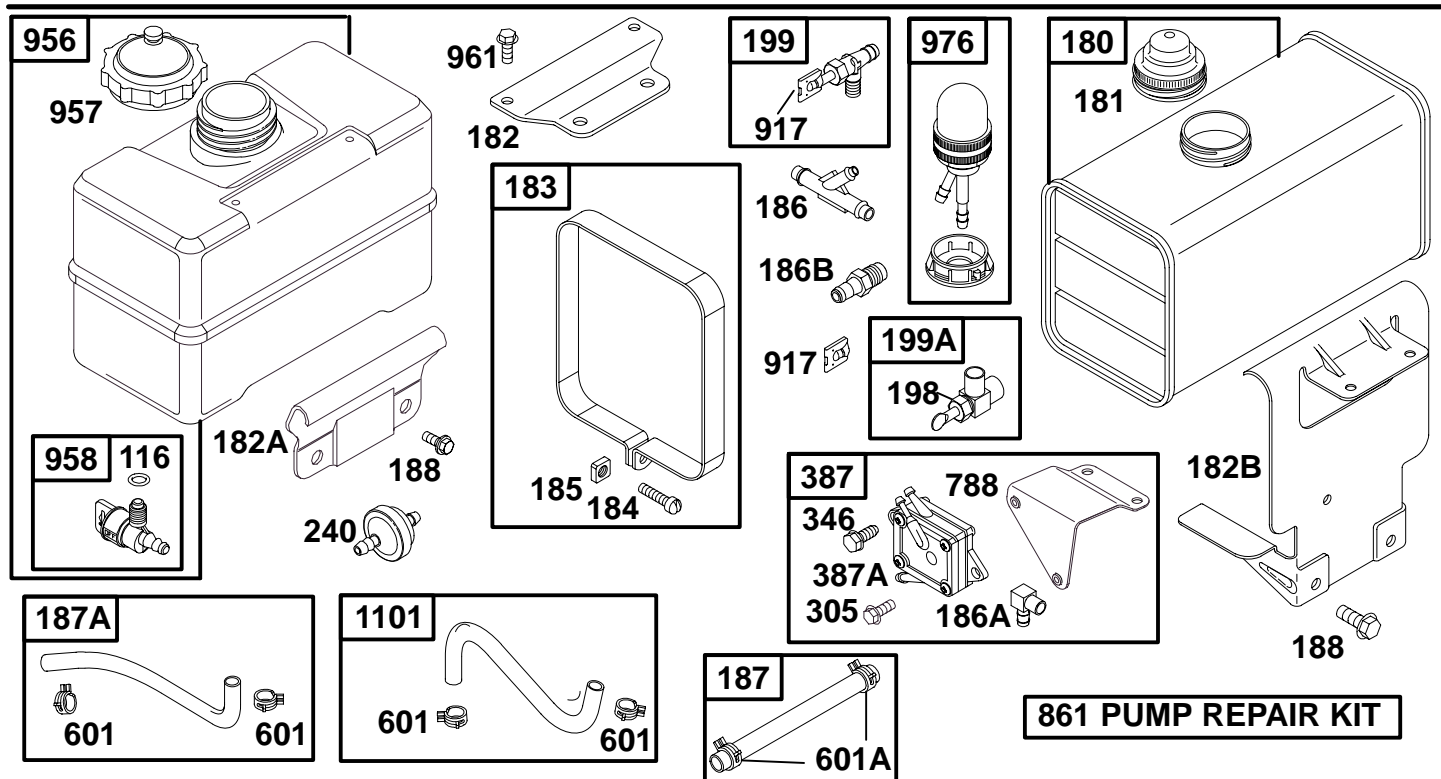


**NOTE: ALL STATORS USE NO. 482 MOUNTING SCREW.** 

REF. NO.	PART NO.	DESCRIPTION	REF. NO.	PART NO.	DESCRIPTION	REF. NO.	PART NO.	DESCRIPTION
474	391529	Alternator	501	394890	Regulator	877A	393814	Wire-Alternator
474A	393474	Alternator	526	93343	Screw-Hex.	878	393362	Harness-Alternator
474B	391595	Alternator	605	222934	Bracket-Mounting	878A	393422	Harness-Alternator
474C	393295	Alternator	841	393514	Clamp	878B	399916	Harness-Alternator
482	93621	Screw-Hex.	877	393456	Wire-Alternator			

★ Included in Gasket Set-Part No. 492653.  
● Included in Carburetor Kit-See Ref. 121.

∅ Included in Valve Overhaul Gasket Set-Part No. 498537.

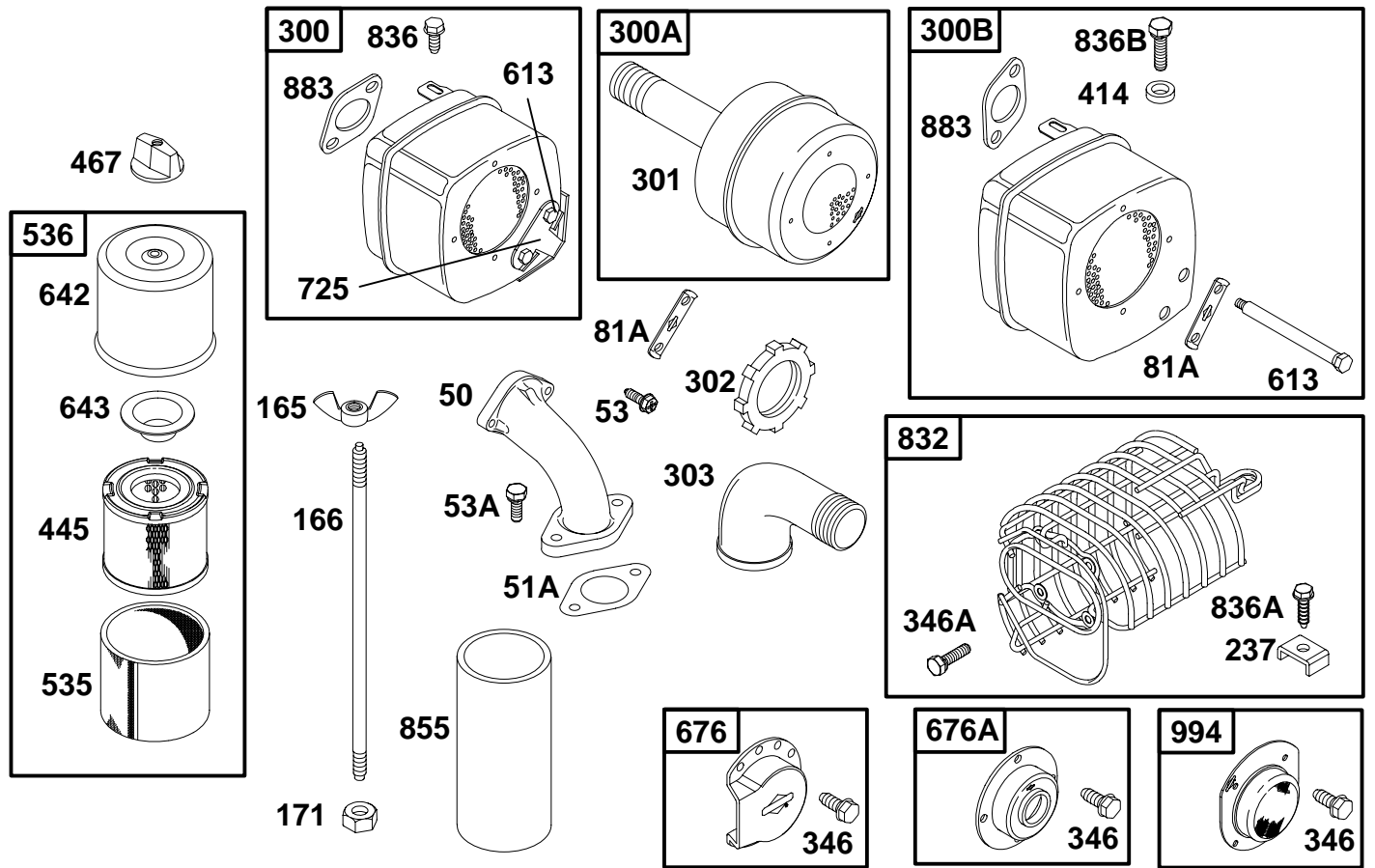


REF. NO.	PART NO.	DESCRIPTION	REF. NO.	PART NO.	DESCRIPTION	REF. NO.	PART NO.	DESCRIPTION
116	280203	Seal-O-Ring			Used on Type No(s). 0353, 1353.			<b>Note</b>
180	291488	Tank-Fuel (6 Quart)	182B	224878	Bracket-Fuel Tank			393169 Filter-Fuel
		<b>Note</b>	183	291490	Strap-Fuel Tank			Used on Type No(s). 0185, 0189, 0319, 0338.
		290816 Tank-Fuel (4 Quart)			<b>Note</b>			394358 Filter-Fuel (Used on Fuel Pump Applications)
		Used on Type No(s). 0168, 0346, 0347.			291367 Strap-Fuel Tank			Used on Type No(s). 0168, 0180, 0346, 0347.
		394079 Tank-Fuel (6 Quart Offset Filler)	184	91257	Screw-Slotted	305	94786	Screw-Hex.
		Used on Type No(s). 0180.	185	90970	Nut	346	94896	Screw-Hex.
181	392305	Cap-Fuel Tank	186	280727	Connector-Hose	387	494280	Pump-Fuel
		<b>Note</b>	186A	67218	Connector-Hose	387A	491922	Pump-Fuel
		297866 Cap-Fuel Tank	186B	230318	Connector-Hose	601	94171	Clamp-Hose
		Used on Type No(s). 0133, 0194, 0195, 0209, 0311, 0348.	187	296004	Line-Fuel (Cut to Required Length)	601A	95162	Clamp-Hose
182	224888	Bracket-Fuel Tank	187A	399254	Line-Fuel			<b>Note</b>
		<b>Note</b>	188	94627	Screw-Hex. (3/4" Long)			93807 Clamp-Fuel Line
		224854 Bracket-Fuel Tank			<b>Note</b>	788	224123	Bracket-Pump
		Used on Type No(s). 0353, 1353.			94786 Screw-Hex. (1/2" Long)	861	394462	Kit-Fuel Pump (Walbro)
182A	224889	Bracket-Fuel Tank	198	293934	Screw-Shut-Off	917	223271	Handle-Shut-Off Valve
		<b>Note</b>	199	492649	Valve-Shut-Off	956	493337	Tank-Fuel (4 Quart Plastic)
		224856 Bracket-Fuel Tank	199A	297563	Valve-Shut-Off	957	493988	Cap-Fuel Tank
			240	298090	Filter-Fuel	958	399517	Valve-Shut-Off
						961	94095	Screw-Hex.
						976	399255	Primer-Carburetor
						1101	399256	Tube-Injector (Includes Filter Fuel)

★ Included in Gasket Set-Part No. 492653.  
● Included in Carburetor Kit-See Ref. 121.

∅ Included in Valve Overhaul Gasket Set-Part No. 498537.

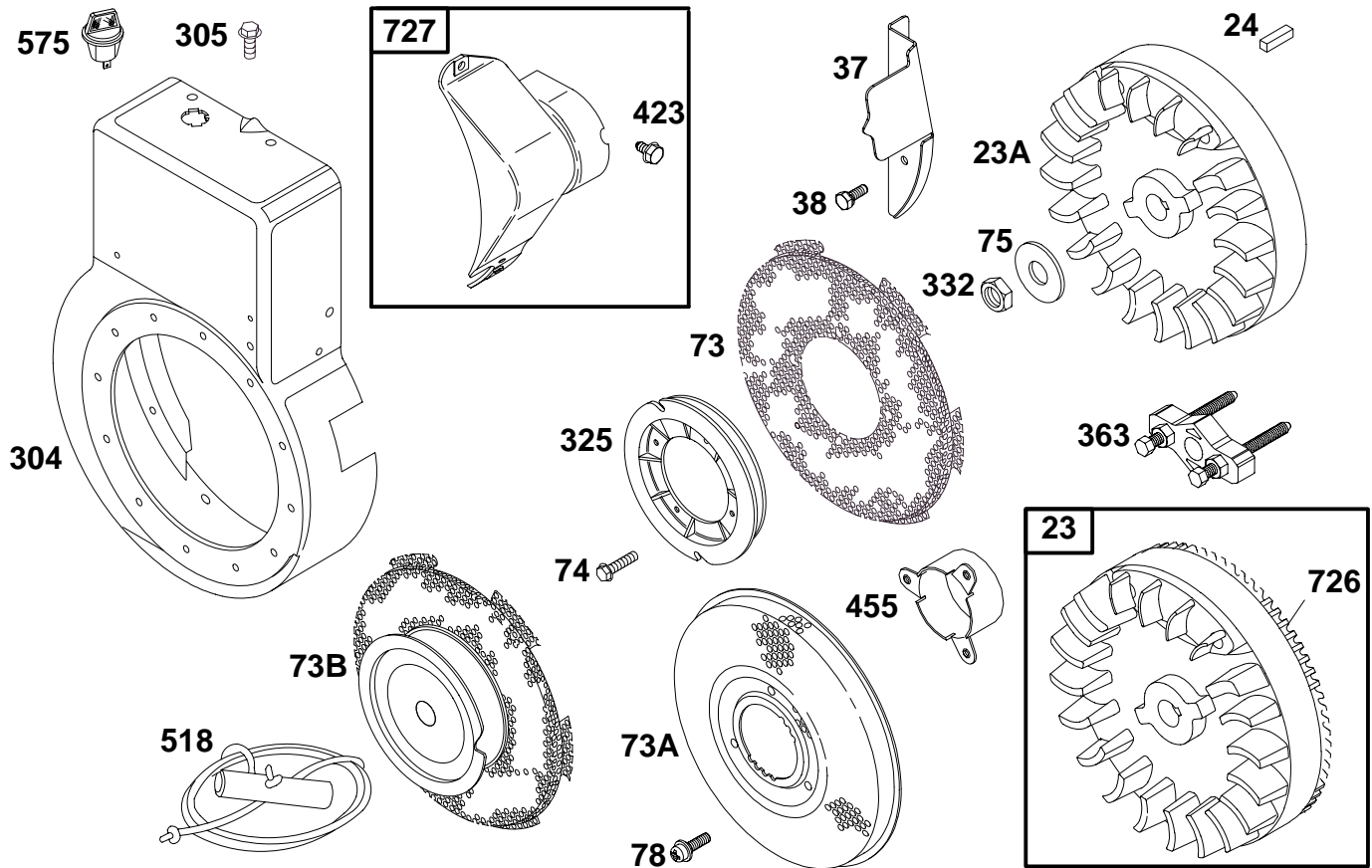
# 221400 to 221499



REF. NO.	PART NO.	DESCRIPTION	REF. NO.	PART NO.	DESCRIPTION	REF. NO.	PART NO.	DESCRIPTION
50	212301	Manifold-Intake <b>Note</b> 490051 Manifold-Intake Used on Type No(s). 0311, 0332, 0348.	300A	391569	Muffler-Exhaust <b>Note</b> 392989 Muffler-Exhaust Used on Type No(s). 0152, 0153, 0168, 0184, 0194, 0195, 0196, 0209.	613	93927	Screw-Shoulder
51A★	498869	Gasket-Carburetor Mounting	300B	491626	Muffler-Exhaust	642	224885	Cover-Air Cleaner
53	93208	Screw-Phillips	301	93768	Pipe-Muffler <b>Note</b> 93833 Pipe-Muffler Used on Type No(s). 0194, 0209.	643	222272	Retainer-Air Filter
53A	93415	Screw-Hex.	302	261564	Locknut-Muffler	676	393761	Deflector-Muffler <b>Note</b> 397630 Deflector-Muffler Used on Type No(s). 0184, 0186, 0194, 0195, 0340, 0341.
81A	223016	Lock-Muffler Screw	303	91308	Manifold-Exhaust	676A	396903	Deflector-Muffler
165	94289	Nut-Wing	346	94896	Screw-Hex.	725	223023	Shield-Heat
166	231727	Stud-Air Cleaner <b>Note</b> 93110 Screw-Socket (Plugs Stud Hole in Bottom of Carburetor)	346A	93587	Screw-Hex.	832	398249	Guard-Muffler
171	92129	Nut-Hex.	414	231109	Spacer	836	94513	Screw-Hex.
237	222379	Retainer-Guard	445	393957	Filter-Air	836A	94186	Screw-Hex.
300	491413	Muffler-Exhaust (Square Lo Tone)	467	391908	Knob	836B	94885	Screw-Hex.
			535	271794	Filter-Air	855	231145	Stack-Air
			536	391063	Cleaner-Air			<b>Use(s):</b> 222726 Strap-Carburetor
						883	272293	Gasket-Exhaust
						994	392390	Arrester-Spark

★ Included in Gasket Set-Part No. 492653.  
● Included in Carburetor Kit-See Ref. 121.

∅ Included in Valve Overhaul Gasket Set-Part No. 498537.

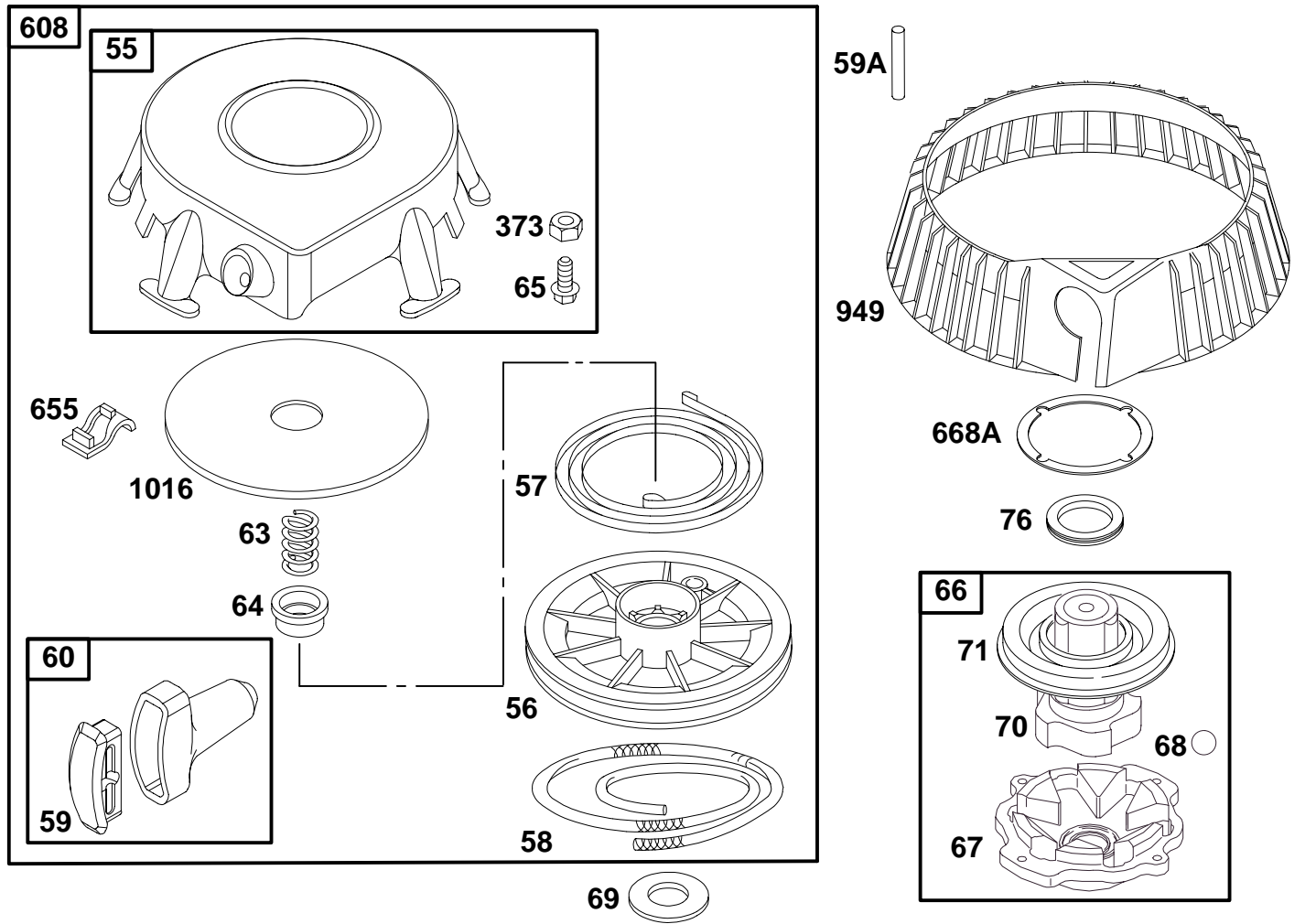


REF. NO.	PART NO.	DESCRIPTION	REF. NO.	PART NO.	DESCRIPTION	REF. NO.	PART NO.	DESCRIPTION
23	498911	Flywheel —— <b>Note</b> —— 391988 Flywheel (Used Before Code Date 96070600).	73B	496084	Screen—Rotating	305	94786	Screw—Hex.
23A	498896	Flywheel —— <b>Note</b> —— 392157 Flywheel (Used Before Code Date 96070600).	74	94680	Screw—Hex. (Used With Pulley) —— <b>Note</b> —— 93758 Screw—Hex. (Used When Pulley is Not Installed)	325	280457	Pulley—Starter
24	222698	Key—Flywheel	75	225136	Washer—Flywheel	332	94877	Nut—Flywheel
37	224886	Guard—Flywheel (For Engines with Rope or Recoil Starter) —— <b>Note</b> —— 221968 Guard—Flywheel Used on Type No(s). 0167, 0185, 0205, 0315, 0326, 0342, 2174.	78	94626	Screw—Phillips	363	19203	Flywheel Puller
38	94811	Screw—Hex.	304	398595	Housing—Blower —— <b>Note</b> —— 392737 Housing—Blower Used on Type No(s). 0209. 490344 Housing—Blower Used on Type No(s). 0348. 490446 Housing—Blower Used on Type No(s). 0194, 0195, 0311, 0332, 0344.	423	94625	Screw—Shoulder —— <b>Note</b> —— 93410 Screw—Hex. (Used With Metal Flywheel Guard)
73	221796	Screen—Rotating				455	222561	Cup—Flywheel
73A	224517	Screen—Rotating				518	69932	Rope—Starter
						575	396691	Switch—Rotary
						726	392134	Gear—Ring (Includes Mtg. Parts)
						727	395405	Cover—Starter Drive (For Engines with Electric Starter)

★ Included in Gasket Set—Part No. 492653.  
● Included in Carburetor Kit—See Ref. 121.

∅ Included in Valve Overhaul Gasket Set—Part No. 498537.

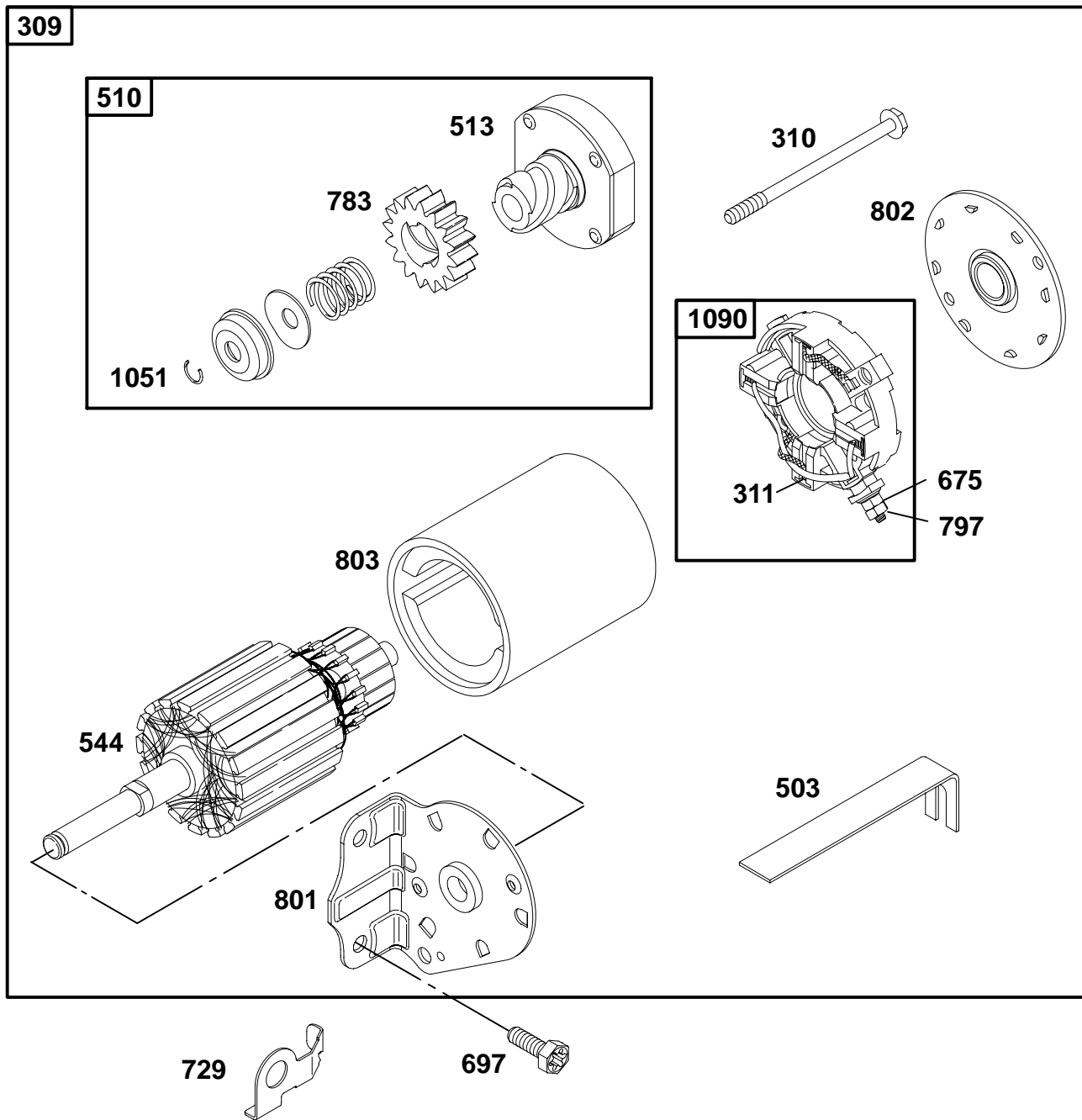
# 221400 to 221499



REF. NO.	PART NO.	DESCRIPTION	REF. NO.	PART NO.	DESCRIPTION	REF. NO.	PART NO.	DESCRIPTION
55	393576	Housing-Rewind Starter <b>Note</b> 398099 Housing-Rewind Starter Used on Type No(s). 0194, 0332.	60	490652	Grip-Starter Rope <b>Note</b> 398101 Grip-Starter Rope Used on Type No(s). 0194, 0332.	71	394506	Cover-Ratchet
56	295871	Pulley-Starter (Includes 63" Rope)	63	260414	Spring-Ratchet	76	68238	Seal
57	490179	Spring-Rewind Starter	64	281204	Adapter-Spring	373	92987	Nut-Hex.
58	66884	Rope-Starter (63" Long)	65	94686	Screw-Hex.	608	390391	Starter-Rewind <b>Note</b> 397982 Starter-Rewind Used on Type No(s). 0194, 0332.
59	490653	Insert-Grip	66	399671	Clutch-Starter	655	222598	Anchor-Spring
59A	230228	Pin-Starter Grip	67	394897	Housing-Clutch	668A	225124	Spacer
			68	63770	Ball-Clutch	949	280685	Guard-Rewind
			69	66718	Washer	1016	490817	Spacer-Rewind
			70	298799	Ratchet-Clutch			

★ Included in Gasket Set-Part No. 492653.  
● Included in Carburetor Kit-See Ref. 121.

∅ Included in Valve Overhaul Gasket Set-Part No. 498537.

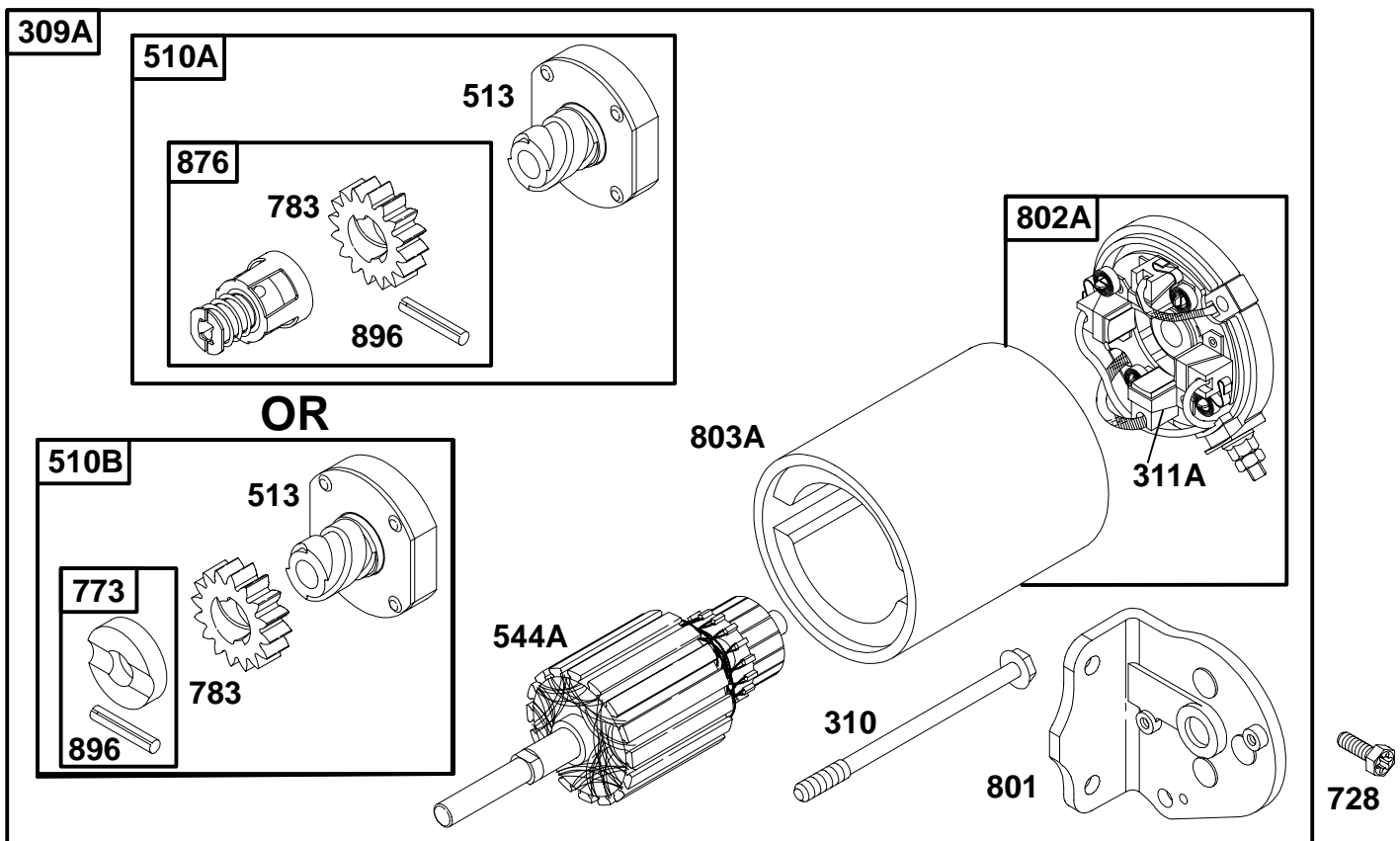


REF. NO.	PART NO.	DESCRIPTION	REF. NO.	PART NO.	DESCRIPTION	REF. NO.	PART NO.	DESCRIPTION
797	92278	Nut (Starter Terminal)	802	497607	Cap-End	1051	263080	Ring-Retainer
801	394856	Cap-Drive	803	497604	Housing-Starter (3 5/8" Housing Lgth.)	1090	497605	Retainer-Brush

★ Included in Gasket Set-Part No. 492653.  
● Included in Carburetor Kit-See Ref. 121.

∅ Included in Valve Overhaul Gasket Set-Part No. 498537.

# 221400 to 221499

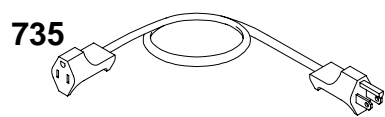
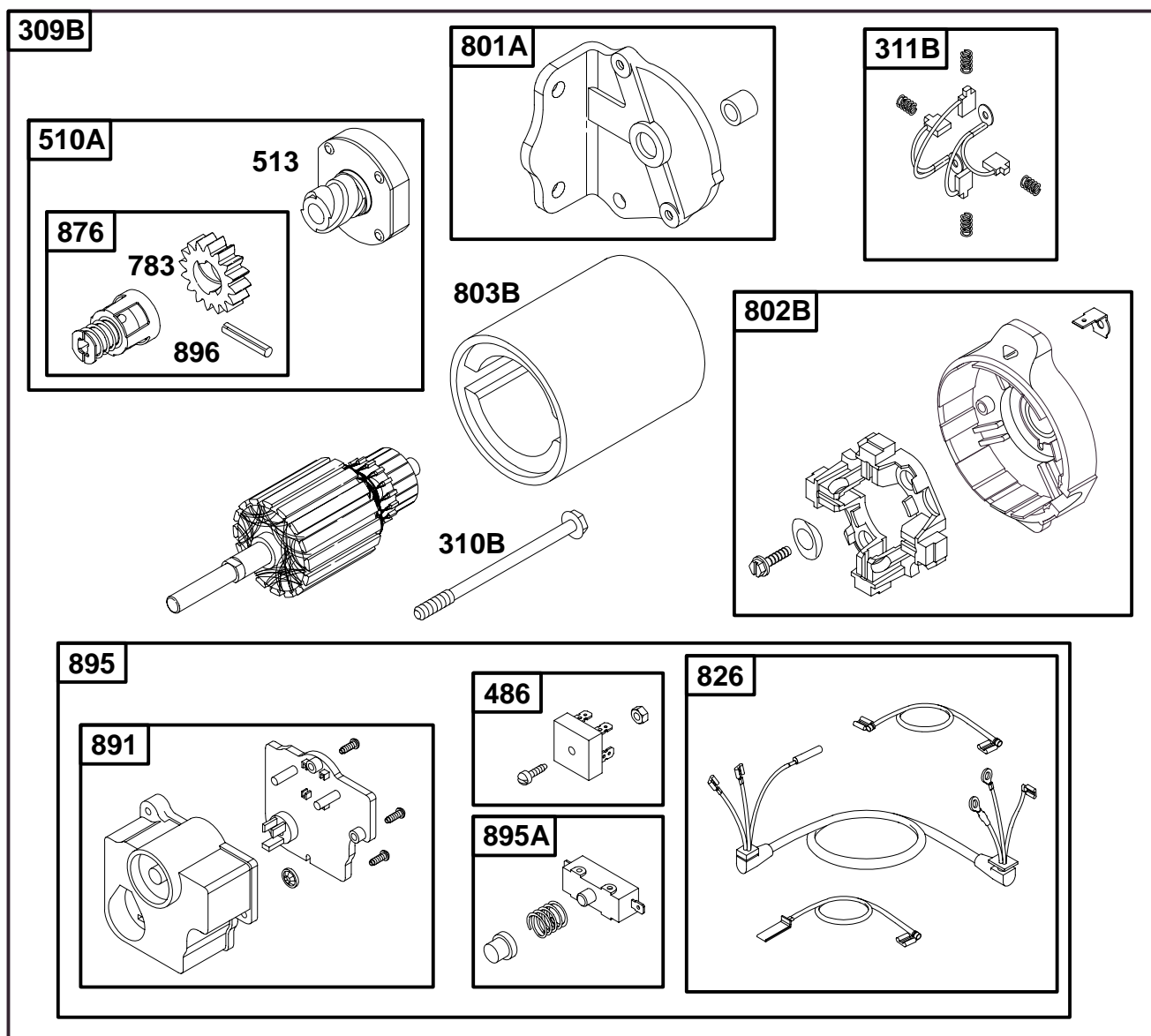


REF. NO.	PART NO.	DESCRIPTION	REF. NO.	PART NO.	DESCRIPTION	REF. NO.	PART NO.	DESCRIPTION
309A	394805	Motor-Starting (12 Volt With 3 21/32" Housing)	510A	495878	Drive-Starter	802A	395537	Cap-End
310	94003	Screw-Hex.	510B	391461	Drive-Starter			<b>Note</b>
311A	395538	Brush Set	513	398003	Clutch-Drive			492021 Cap-End (Used With United Technologies Motor)
		<b>Note</b>	544A	390837	Armature-Starter	803A	398159	Housing Starter
		391705 Brush Set (For 3 1/16" Housing)	728	94951	Screw-Torx®	876	495877	Kit -Gear
		492020 Brush Set (For 3 15/32" Housing, United Technologies Motor)	773	391462	Retainer-Clutch	896	94288	Pin-Roll
			783	693059	Gear-Starter			
			801	394856	Cap-Drive			

★ Included in Gasket Set-Part No. 492653.  
● Included in Carburetor Kit-See Ref. 121.

∅ Included in Valve Overhaul Gasket Set-Part No. 498537.



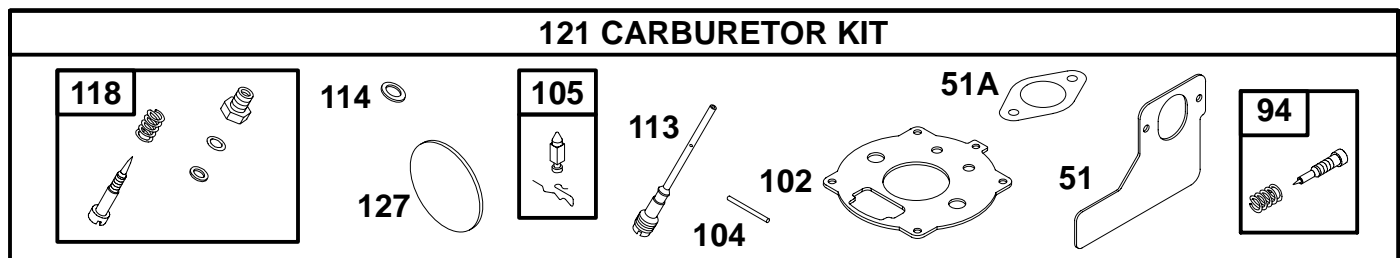
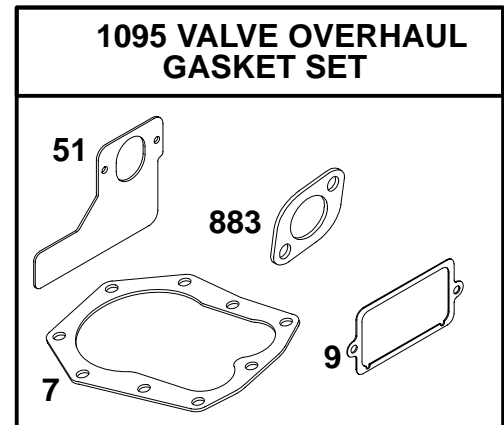
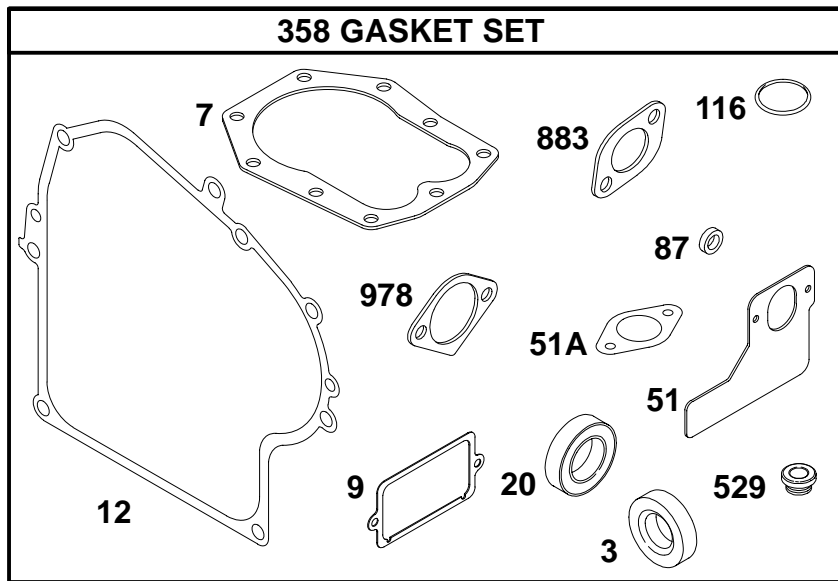


REF. NO.	PART NO.	DESCRIPTION	REF. NO.	PART NO.	DESCRIPTION	REF. NO.	PART NO.	DESCRIPTION
309B	396505	Motor-Starter (120 Volt)	728	94951	Screw-Torx®	826	393706	Harness-Wiring
310B	93934	Screw-Hex.	735	390966	Cord-Starter	876	495877	Kit-Gear
311B	393612	Brush Set	783	280104	Gear-Starter	891	393705	Housing-Switch
486	393707	Rectifier	801A	492060	Cap-Drive	895	393486	Switch-Starting
510A	495878	Drive-Starter	802B	491192	Cap-End	895A	393708	Switch-Starting
513	398003	Clutch-Drive	803B	491008	Housing-Starter	896	94288	Pin-Roll

★ Included in Gasket Set-Part No. 492653.  
 ● Included in Carburetor Kit-See Ref. 121.

∅ Included in Valve Overhaul Gasket Set-Part No. 498537.





REF. NO.	PART NO.	DESCRIPTION	REF. NO.	PART NO.	DESCRIPTION	REF. NO.	PART NO.	DESCRIPTION
	3	★391086 Seal—Oil		102	●270268 Gasket—Carburetor Body		118	●99525 Valve—High Speed
	7	★∅271866 Gasket—Cylinder Head		104	●230896 Pin—Float Hinge			<b>Include(s):</b>
	9	★∅27803 Gasket—Breather		105	●394681 Valve—Needle			22235 Washer
	12	★272125 Gasket—Crankcase (.015" Thick, Standard)		113	●394730 Nozzle—Carburetor			26336 Spring—Needle Valve
		<b>Note</b>			<b>Note</b>			65978 Seal—O-Ring
		★272219 Gasket—Crankcase (.005" Thick)			●390950 Nozzle—Carb. (Used Before Code Date 81060200).			394033 Valve—Idle Adjusting
		★272220 Gasket—Crankcase (.009" Thick)			390395 Nozzle—Carb. (Used Before Code Date 81060200).		121	394989 Carburetor Kit
	20	★291675 Seal—Oil			Used on Type No(s). 0130, 0131, 0132, 0139, 0141, 0149, 2070, 2073.			<b>Note</b>
	51	★●270267 Gasket—Intake		114	●68667 Gasket—Nozzle			391071 Carburetor Kit (Used Before Code Date 81060200).
	51A	★∅●498869 Gasket—Carburetor Mounting		116	★271170 Seal—O-Ring			127 ●221747 Plug—Welch
	87	★491323 Seal—Governor Shaft						358 492653 Gasket Set
	94	●292681 Valve—Idle Adjusting						529 ★281370 Seal—Fill Tube
								883 ★∅272293 Gasket—Exhaust
								978 ★271736 Gasket
								1095 498537 Gasket Set—Valve Overhaul

★ Included in Gasket Set—Part No. 492653.  
● Included in Carburetor Kit—See Ref. 121.

∅ Included in Valve Overhaul Gasket Set—Part No. 498537.