

222400 to 222499

Illustrated Parts List

Model Series

222400 to 222499

TYPE NUMBERS
0110, 0150, 0151,
0516, 0601, 0604,
0630 through 0634
0649, 0651, 0654,
0658, 0706, 0707,
0720 through 0723
0725, 4001.

TO FIND THE CORRECT NUMBER OF THE PART YOU NEED: FOLLOW THE INSTRUCTIONS BELOW

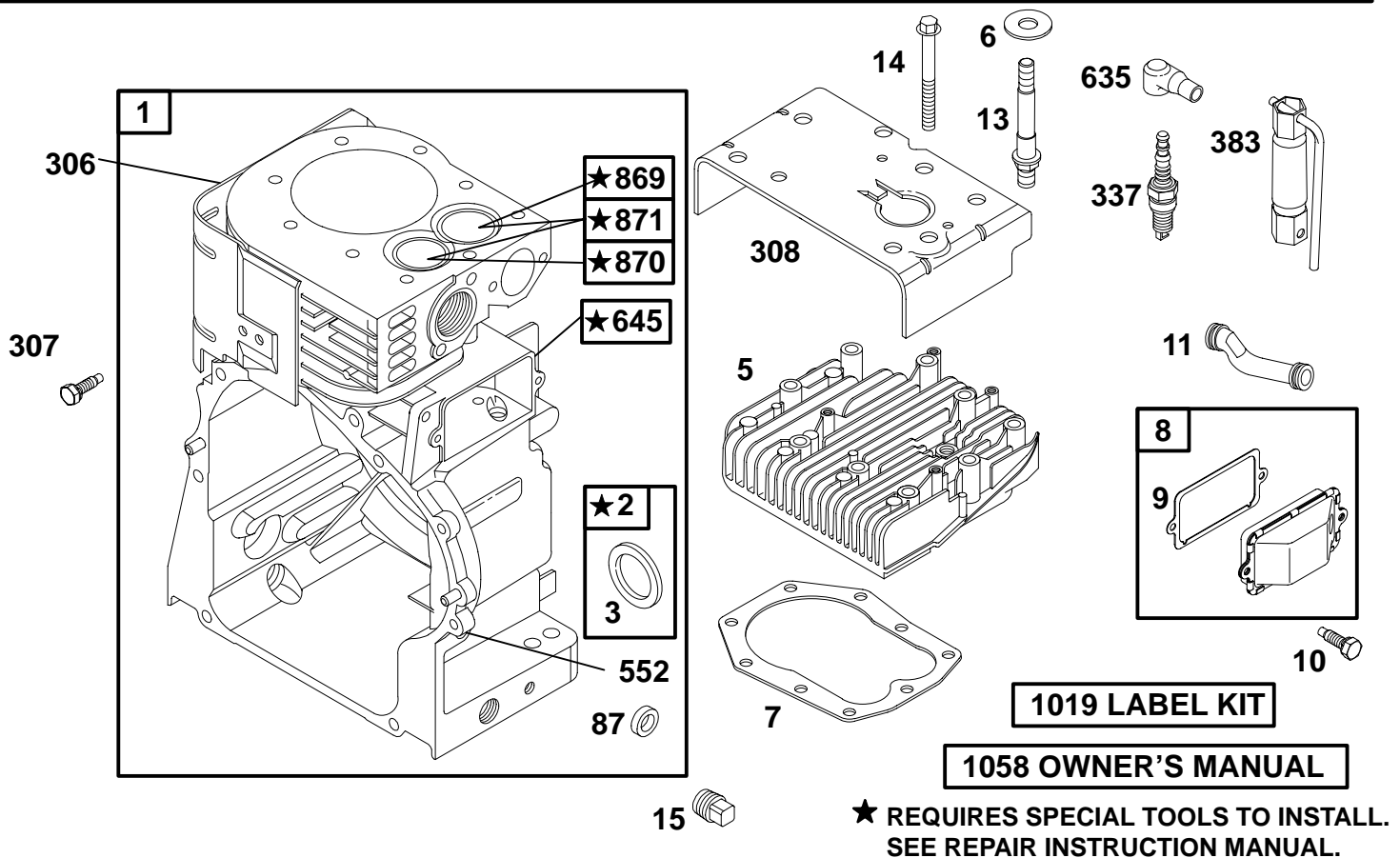
- A. Refer to Engine Model, Type and Code Number that is stamped on the blower housing of engine. Engine type numbers such as 0123 01 are listed only as 0123 in most instances. The two digits (01 or 02, etc.) to the right of the space may be required for more accurate parts identification in some instances. Select the Illustrated Parts List covering the correct Model Series and Type Number.
- B. Refer to the Illustrations and compare the original part with Illustration. The number next to the illustration is the Reference Number. Assemblies include all parts shown in frames. All parts shown in assembly frames having individual reference numbers can be purchased separately.
- C. After the Reference Number has been identified, refer to the Numerical text, where Reference and Primary Part Number are listed. **THE PRIMARY PART IS USED ON ALL TYPE NUMBERS EXCEPT THOSE TYPE NUMBERS UNDER "NOTE."**
- D. If a "Note" appears below the Primary Part Number, it means that this part differs from the Primary Part for certain types. If your Type number is listed under "Note," order the part referred to at the "Note."
- E. If your Engine Type Number does not appear after any part number listed under "Note," use the Primary Part Number.
- F. For Engine Type Numbers not covered by this book, check other Parts Lists having the same engine model or contact your source of supply.

PRINTED IN U.S.A.



COPYRIGHT by BRIGGS & STRATTON CORPORATION
All rights reserved. No part of this material may be reproduced or transmitted, in any form or by any means, electronic or mechanical, including photocopying, recording or by any information storage and retrieval system, without permission in writing from Briggs & Stratton Corporation.

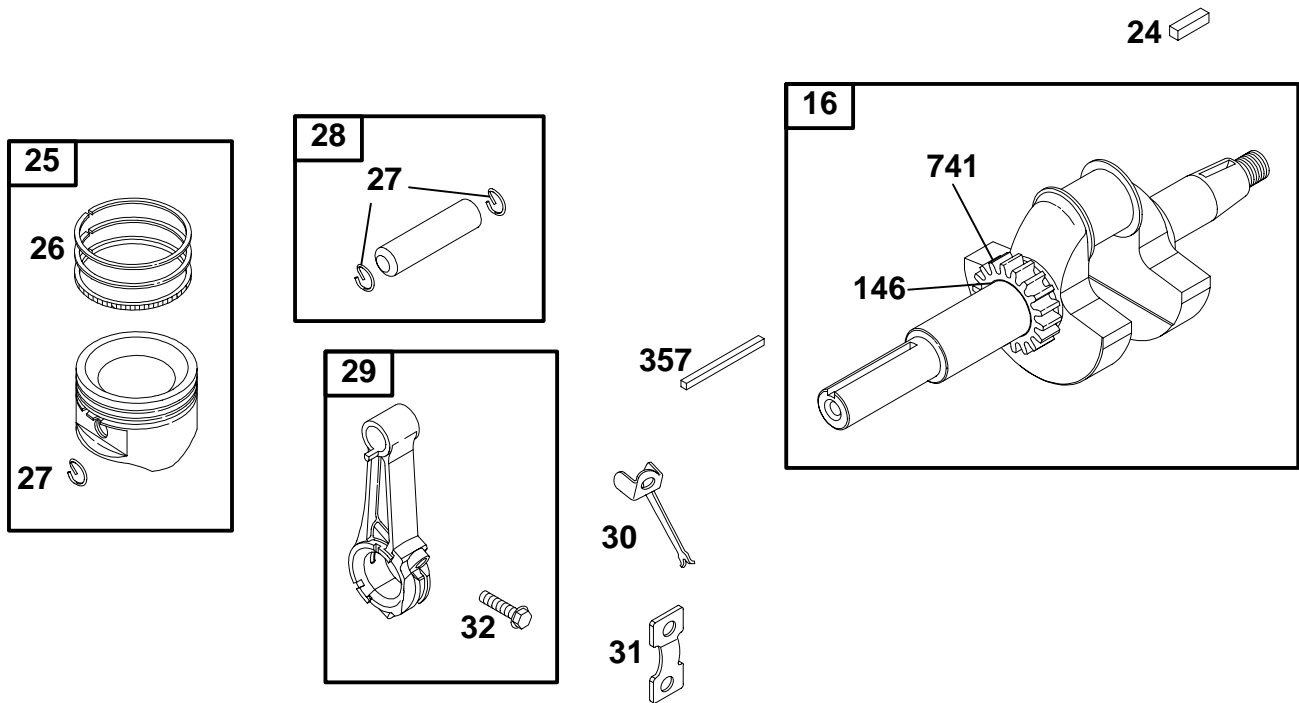
222400 to 222499



REF. NO.	PART NO.	DESCRIPTION	REF. NO.	PART NO.	DESCRIPTION	REF. NO.	PART NO.	DESCRIPTION
1	396209	Cylinder Assembly (Used After Code Date 82073100). Note 394699 Cylinder Assy. (Used Before Code Date 82080100).	10	94621	Screw-Hex.	87	★491323	Seal-Governor Shaft
2	399265	Bushing/Seal Kit	11	280112	Tube-Breather	306	224882	Shield-Cylinder
3	★391086	Seal-Oil	13	94926	Stud-Hex. Drive	307	94930	Screw-Hex.
5	214194	Head-Cylinder Note 212501 Head-Cylinder Used on Type No(s). 0110, 0150, 0151, 0516, 0601, 0602, 0604, 0630, 0631, 0632, 0633, 0634, 0649, 0651, 0654, 0658, 0706, 0707, 0720, 0721, 0722, 0723, 0725, 4001.	14	94622	Screw-Hex. (3" Long) Note 94565 Screw-Hex. (2 5/8" Long)	337	492167	Plug-Spark (1 27/32" High) Note 298809 Plug-Spark (1 1/2" High) 802592 Plug-Spark (1 27/32" High, Resistor Type)
6	225137	Washer-Flat	308	224897	Cover-Cylinder Note 222306 Cover-Cylinder Used on Type No(s). 0110, 0150, 0516, 0601, 0602, 0604, 0630, 0631, 0632, 0633, 0634, 0649, 0651, 0654, 0658, 0706, 0707, 0720, 0721, 0722, 0723, 0725, 4001.	383	89838	Wrench-Spark Plug
7	★271866	Gasket-Cylinder Head	15	94239	Plug-Oil Drain Note 94880 Plug-Oil Drain (Magnetic)	552	491893	Bushing-Governor crank
8	495736	Breather Assembly				635	66538	Boot-Spark Plug
9	★27803	Gasket-Breather				645	23513	Bushing-Plunger (Used Before Code Date 82073100).
						869	261463	Seat-Valve (Intake)
						870	213316	Seat-Valve (Exhaust)
						871	231218	Bushing-Guide
						1019	491194	Label Kit
						1058	271074	Owner's Manual

★ Included in Gasket Set-Part No. 492653.
● Included in Carburetor Kit-See Ref. 121.

∅ Included in Valve Overhaul Gasket Set-Part No. 498537.

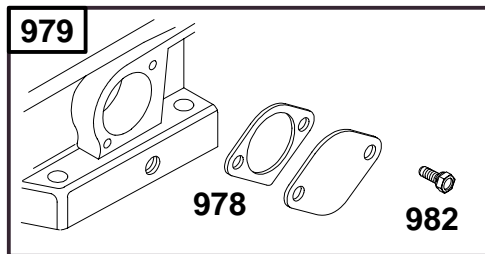
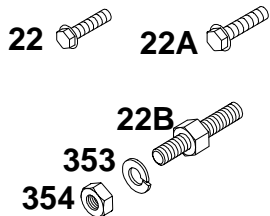
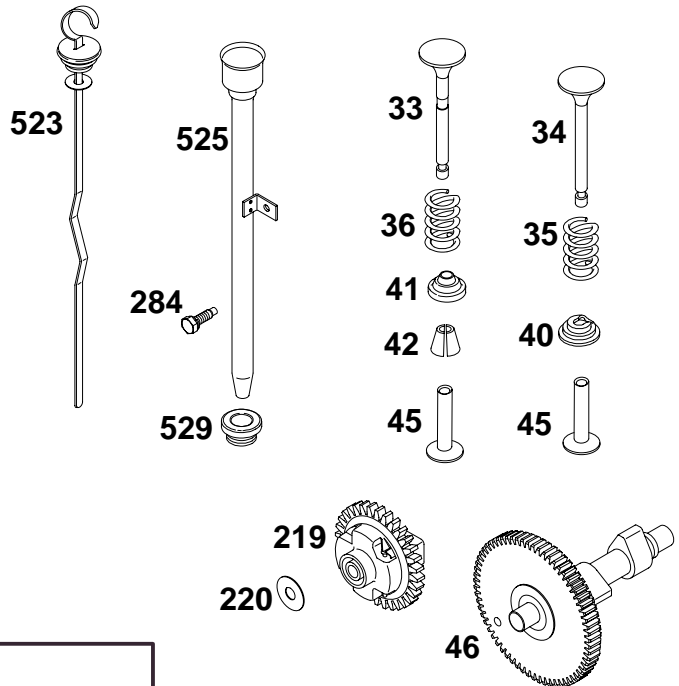
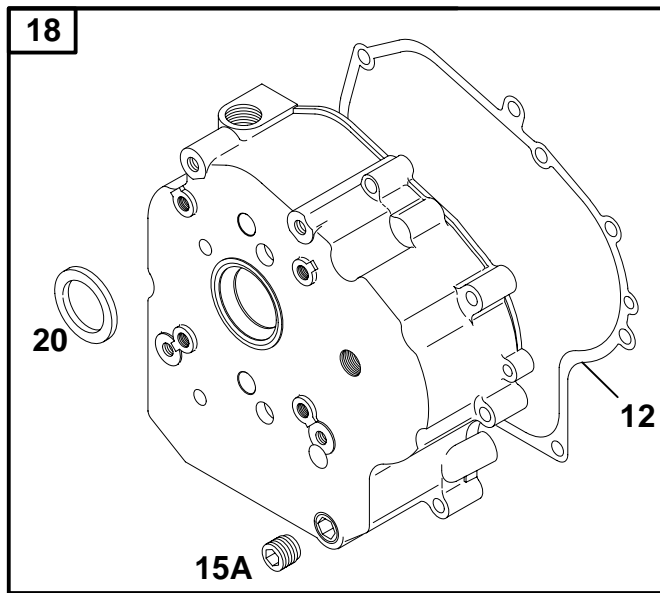


REF. NO.	PART NO.	DESCRIPTION	REF. NO.	PART NO.	DESCRIPTION	REF. NO.	PART NO.	DESCRIPTION
16	491640	Crankshaft Note _____ 261954 Crankshaft Used on Type No(s). 0516, 0633, 0634, 0649, 0651, 0654, 0658, 0720, 0721, 4001.	26	391780	Ring Set (Standard) Note _____ 392331 Ring Set (Standard Chrome) 391781 Ring Set (.010" O.S.) 391782 Ring Set (.020" O.S.) 391783 Ring Set (.030" O.S.)	29	393860	Rod-Connecting (Standard) Note _____ 393861 Rod- Connecting (.020" Undersize)
24	222698	Key-Flywheel	27	260924	Lock-Piston Pin	30	222329	Dipper-Conn. Rod
25	391285	Piston Assembly (Standard) Note _____ 391287 Piston Assy. (.010" O.S.) 391288 Piston Assy. (.020" O.S.) 391289 Piston Assy. (.030" O.S.)	28	299691	Pin-Piston (Standard) Note _____ 391286 Pin-Piston (.005" O.S.)	31	222299	Lock-Rod Screw
						32	92909	Screw-Conn. Rod
						146	94196	Key-Timing
						357	91540	Key-Drive Pulley
						741	262135	Gear-Timing

★ Included in Gasket Set-Part No. 492653.
● Included in Carburetor Kit-See Ref. 121.

∅ Included in Valve Overhaul Gasket Set-Part No. 498537.

222400 to 222499

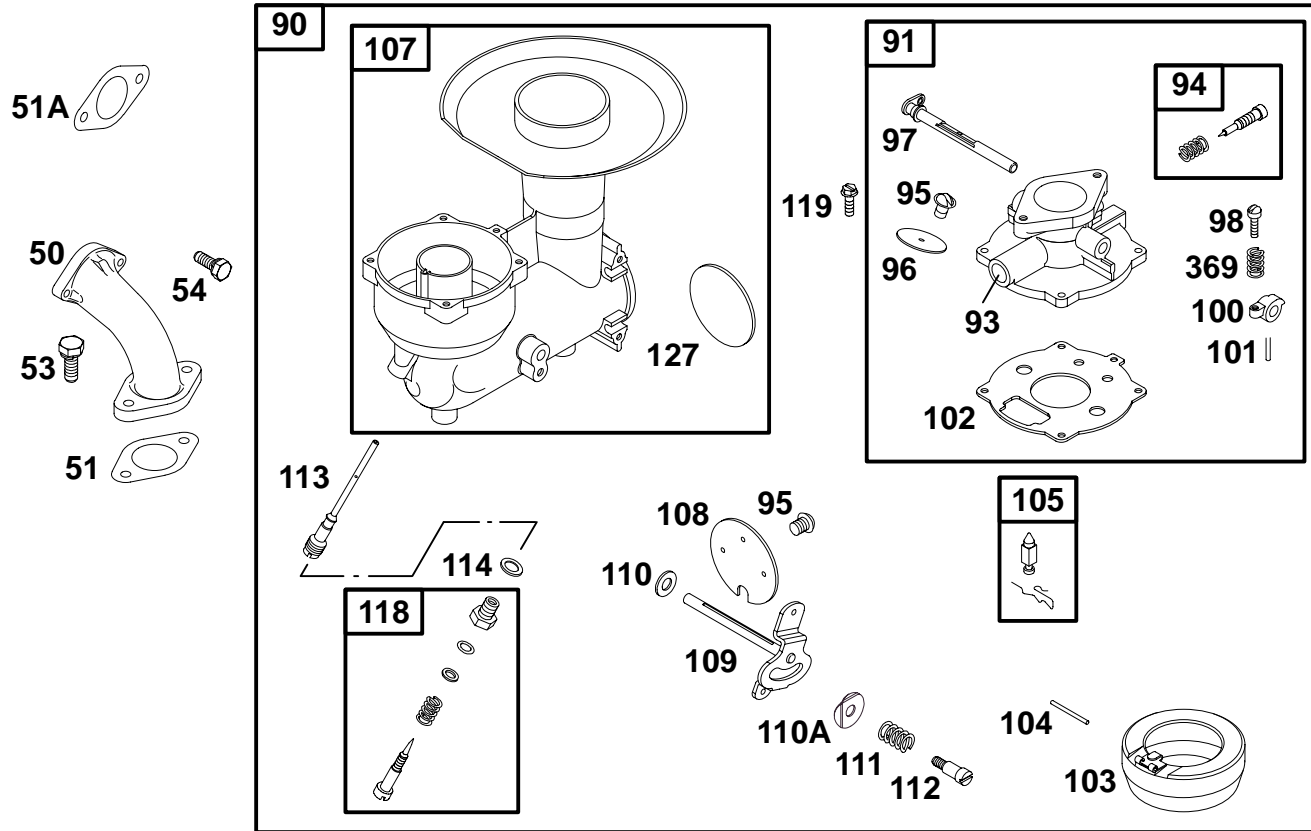


★ **REQUIRES SPECIAL TOOLS TO INSTALL. SEE REPAIR INSTRUCTION MANUAL.**

REF. NO.	PART NO.	DESCRIPTION	REF. NO.	PART NO.	DESCRIPTION	REF. NO.	PART NO.	DESCRIPTION
12	★272125	Gasket-Crankcase (.015" Thick)	22	93585	Screw-Hex.	46	212897	Gear-Cam
		Note	22A	93764	Screw-Hex. (Use in Position # 6)			Note
		★272219 Gasket-Crankcase (.005" Thick)	22B	94931	Stud-Hex. Drive			212505 Gear-Cam Used on Type No(s). 0631.
		★272220 Gasket-Crankcase (.009" Thick)	33	261185	Valve-Exhaust (Used After Code Date 89020900).	219	494845	Gear-Governor (Used After Code Date 91060900).
15A	94720	Plug-Oil Drain			Note			Note
18	394701	Cover-Crankcase			261503 Valve-Exhaust (Used Before Code Date 89021000).			391737 Gear-Gov. (Used Before Code Date 91061000).
		Note	34	261462	Valve-Intake	220	221551	Washer-Thrust
		396437 Cover-Crankcase	35	65906	Spring-Valve	284	94903	Screw-Hex.
		Used on Type No(s). 0631.	36	26828	Spring-Valve	353	90366	Washer-Lock
			40	221596	Retainer-Valve	354	94314	Nut-Hex.
			41	292260	Retainer-Valve	523	490665	Dipstick
20	★291675	Seal-Oil	42	494553	Keeper-Valve	525	496517	Tube-Oil Fill
		Note	45	262248	Tappet-Valve	529	★281370	Seal-Fill Tube
		391483 Seal-Oil Used on Type No(s). 0631.				978	★271736	Gasket
						979	494807	Cover-OIL GARD®
						982	94139	Screw-Hex.

★ Included in Gasket Set-Part No. 492653.
 ● Included in Carburetor Kit-See Ref. 121.

∅ Included in Valve Overhaul Gasket Set-Part No. 498537.

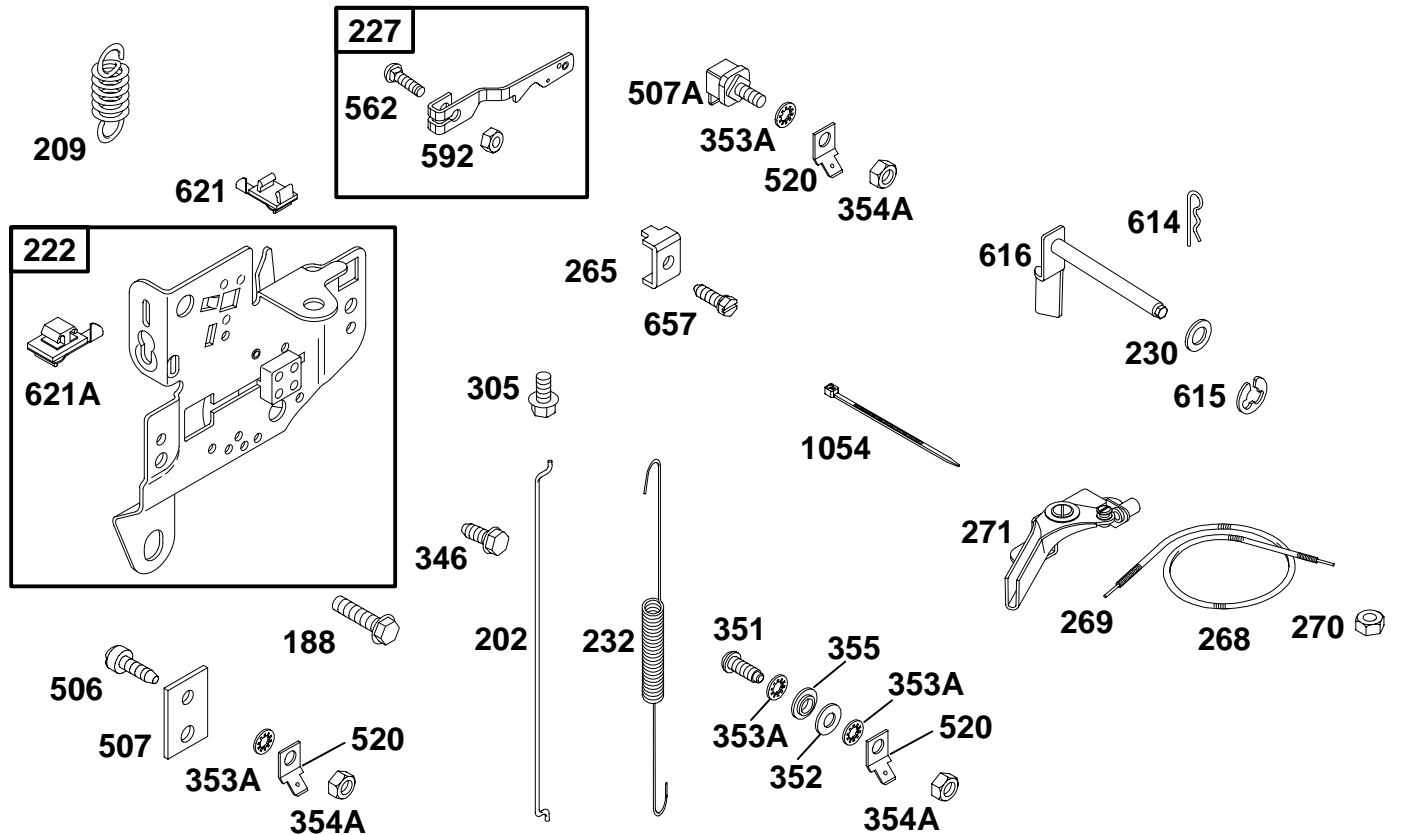


REF. NO.	PART NO.	DESCRIPTION	REF. NO.	PART NO.	DESCRIPTION	REF. NO.	PART NO.	DESCRIPTION
50	212301	Manifold-Intake Note 490051 Manifold-Intake Used on Type No(s). 0706, 0707, 0720, 0721, 0722, 0723, 0725, 4001.	91	391833	Body Assembly-Upper	109	391884	Shaft-Choke
51	★●270267	Gasket-Intake	93	23108	Bushing-Throttle Shaft	110	222712	Washer-Friction
51A	★●498869	Gasket-Carburetor Mounting	94	●292681	Valve-Idle Adjust	111	26155	Spring-Friction
53	93415	Screw-Hex.	95	93499	Screw-Choke Throttle	112	23123	Screw-Shoulder
54	93208	Screw-Phillips	96	221939	Valve-Throttle	113	●394730	Nozzle-Carburetor (Used After Code Date 81060100). Note ●390950 Nozzle- Carburetor (Used Before Code Date 81060211).
90	391992	Carburetor (Manual Friction) Note 399252 Carburetor Used on Type No(s). 0706, 0707, 0720, 0721, 0722, 0723, 0725, 4001.	100	212904	Stop-Throttle	114	●68667	Gasket-Nozzle
			101	93043	Pin-Throttle Lever	118	●99525	Valve-High Speed
			102	●270268	Gasket-Carburetor Body	119	94152	Screw-Torx® Hex.
			103	298514	Float-Carburetor	127	●221747	Plug-Welch
			104	●230896	Pin-Float Hinge	369	26157	Spring-Friction
			105	●394681	Kit-Needle/Seat			
			107	391829	Body Assembly-Lower			
			108	391836	Valve-Choke Note 223781 Valve-Choke Used on Type No(s). 0706, 0707, 0720, 0721, 0722, 0723, 0725, 4001.			

★ Included in Gasket Set-Part No. 492653.
● Included in Carburetor Kit-See Ref. 121.

∅ Included in Valve Overhaul Gasket Set-Part No. 498537.

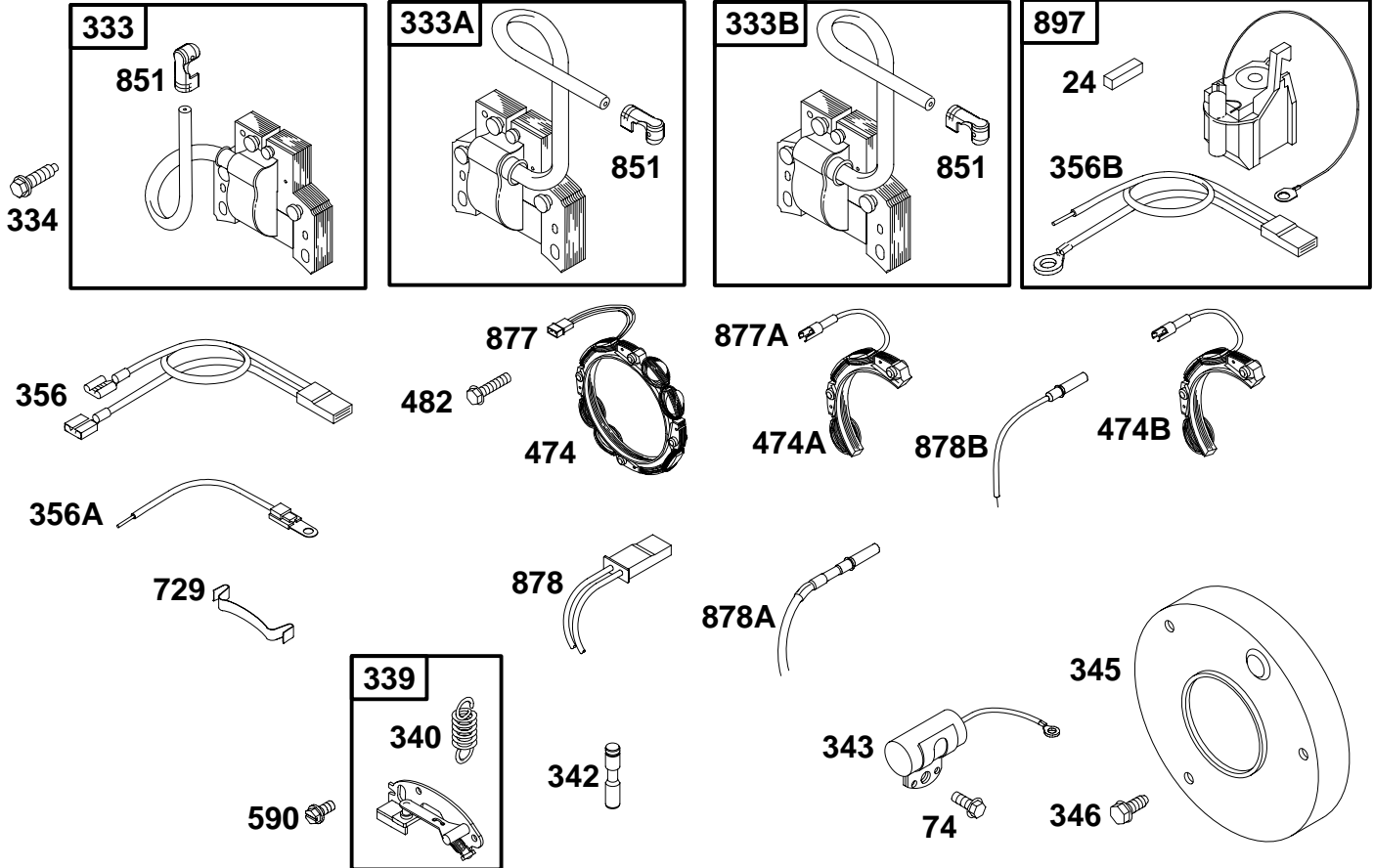
222400 to 222499



REF. NO.	PART NO.	DESCRIPTION	REF. NO.	PART NO.	DESCRIPTION	REF. NO.	PART NO.	DESCRIPTION
188	94627	Screw-Hex.			0632, 0633, 0634, 0648, 0651, 0654, 0658, 0706, 0707, 0720, 0721, 0722, 0723, 0725, 4001.	305	94786	Screw-Hex.
202	261236	Link-Mechanical Governor				346	93705	Screw-Hex.
209	260695	Spring-Governor				351	93735	Screw-Slotted
		Note				352	66068	Washer-Fiber
		261306 Spring-Gov. Used on Type No(s). 0151, 0630, 0632, 0633, 0634, 0725, .	227	396775	Lever-Governor	353A	92791	Washer-Lock
		261129 Spring-Gov. Used on Type No(s). 0631, 0722, 0723.			Note	354A	90576	Nut-Hex.
222	399153	Bracket-Control (Manual Choke) (Used After Code Date 831212500).			391732 Lever-Governor (Used Before Code Date 83121600).	355	66554	Washer-Fiber
		Note			394646 Lever-Governor (Used on Type No(s). 0179, 0241, 0690.	506	90200	Screw-Slotted
		391633 Bracket-Control (Used Before Code Date 83121600).	230	94742	Washer-Flat	507	66895	Insulator
		399152 Bracket-Control (Used on Type No(s). 0516, 0601, 0602, 0604, 0630, 0631,	232	260478	Spring-Link	507A	398525	Insulator
			265	221535	Clamp-Casing	520	93722	Terminal
			268	65616	Casing-Wire (Cut to Required Length)	562	92613	Bolt-Governor Lever
			269	26633	Wire-Control (Cut to Required Length)	592	231082	Nut-Hex.
			270	63426	Locknut-Casing	614	93306	Pin-Cotter
			271	290568	Lever-Control	615	93307	Retainer-E-Ring (Used Before Code Date 92070900).
						616	231057	Crank-Governor
						621	297472	Switch-Stop (Used Before Code Date 85041500).
						621A	396847	Switch-Stop (Used After Code Date 85041500).
						657	93496	Screw-Slotted Hex.
						1054	280275	Tie-Cable

★ Included in Gasket Set-Part No. 492653.
 ● Included in Carburetor Kit-See Ref. 121.

∅ Included in Valve Overhaul Gasket Set-Part No. 498537.

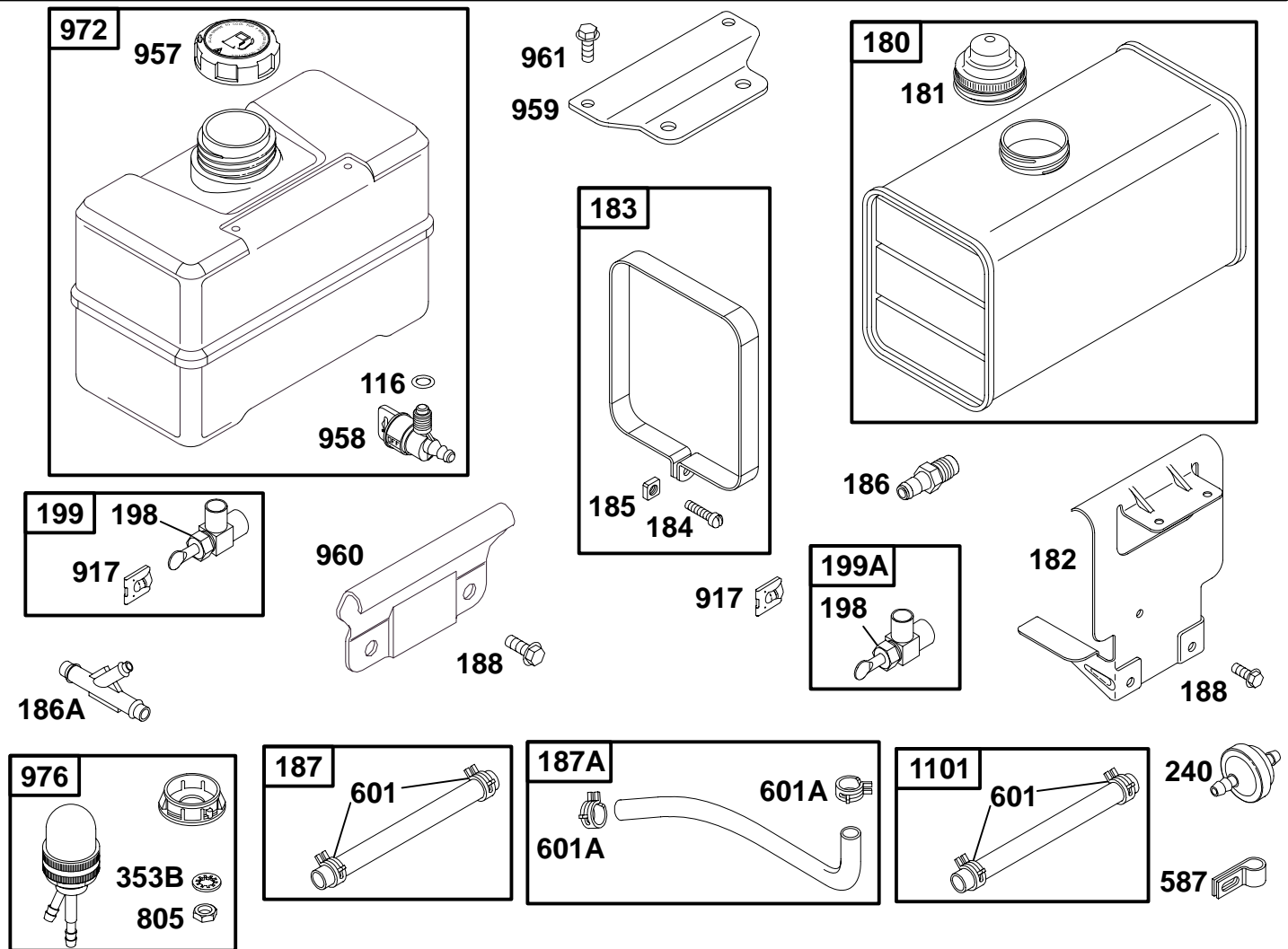


REF. NO.	PART NO.	DESCRIPTION	REF. NO.	PART NO.	DESCRIPTION	REF. NO.	PART NO.	DESCRIPTION	
24	222698	Key-Flywheel			<p align="center">Note</p> <p>222517 Cover-Breaker Used on Type No(s). 0110, 0150, 0151.</p>	590	93226	Screw-Slotted Hex.	
74	93042	Screw-Hex.	346	93705		Screw-Hex.	851	493880	Terminal-Cable
333	398811	Armature-Magneto	356	398838		Wire-Stop	877	393456	Wire-Alternator
333A	298968	Armature-Magneto (For Points and Condenser)	356A	496868		Wire-Stop	877A	393814	Wire-Alternator
333B	395326	Armature-Magneto	356B	398808		Wire-Stop	878	393362	Harness-Alternator (DC Only)
334	94731	Screw-Hex.	474	393474		Alternator (Dual Circuit)	878A	393422	Harness-Alternator (DC Only)
339	391284	Breaker-Ignition (For conversion to Magnetron Ignition, Refer To Ref. No. 897)	474A	391529		Alternator (DC Only)	878B	390867	Harness-Alternator (AC Only)
340	26018	Spring-Breaker Arm	474B	391595		Alternator (AC Only)	897	394970	Magnetron® Ignition Kit (Used with 395326 Armature-Magneto)
342	65704	Plunger-Breaker	482	93621		Screw-Hex.			
343	29861	Condenser							
345	222309	Cover-Breaker							

★ Included in Gasket Set-Part No. 492653.
● Included in Carburetor Kit-See Ref. 121.

∅ Included in Valve Overhaul Gasket Set-Part No. 498537.

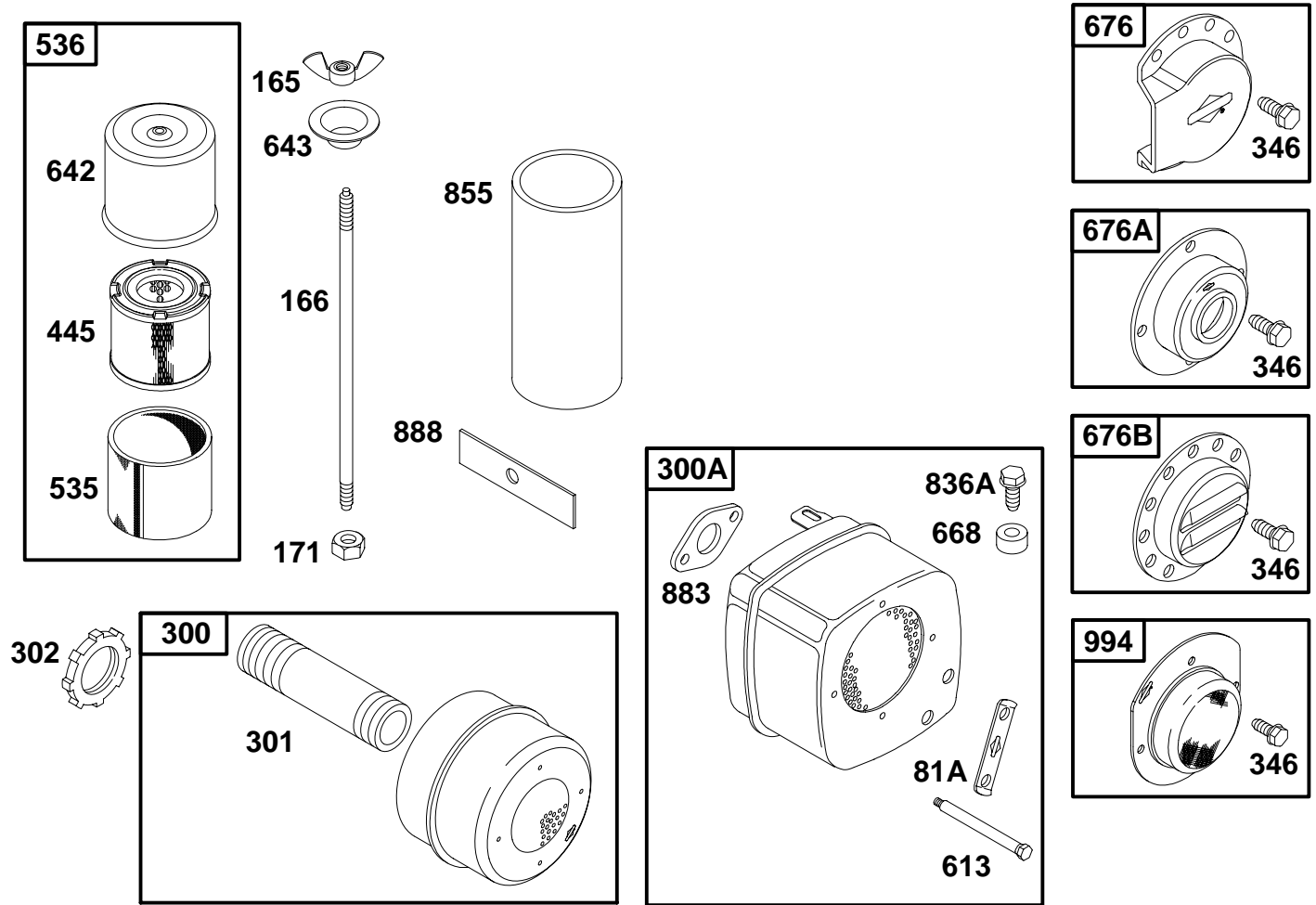
222400 to 222499



REF. NO.	PART NO.	DESCRIPTION	REF. NO.	PART NO.	DESCRIPTION	REF. NO.	PART NO.	DESCRIPTION
116	280203	Seal-O-Ring	199	492649	Valve-Shut-Off	917	223271	Handle-Shut-Off Valve
180	290816	Tank-Fuel (4 Quart)	199A	297563	Valve-Shut-Off	957	493988	Cap-Fuel Tank (Plastic)
181	297866	Cap-Fuel Tank	240	394358	Filter-Fuel	958	399517	Valve-Shut-Off
182	222333	Bracket-Fuel Tank	_____ Note _____			959	224888	Bracket-Fuel Tank (Upper)
183	291367	Strap-Fuel Tank		298090	Filter-Fuel (Light Red)	960	224889	Bracket-Fuel Tank (Lower)
184	91257	Screw-Slotted	353B	94281	Washer-Lock	961	94095	Screw-Hex.
185	90970	Nut-Square	587	220162	Clamp-Cable	972	493337	Tank-Fuel (Plastic)
186	230318	Connector-Hose	601	93053	Clamp-Hose (Green)	976	399255	Primer-Carburetor
186A	280727	Connector-Hose	_____ Note _____			1101	399256	Tube-Injector (Includes Inline Filter) (1/4" O.D.)
187	296004	Line-Fuel (Cut to Required Length)		93807	Clamp-Hose (Black)			
187A	399254	Line-Fuel	601A	94171	Clamp-Hose (For 1/4" O.D. Hose)			
188	94627	Screw-Hex.	805	94189	Nut-Hex.			
198	293934	Screw-Shut-Off						

★ Included in Gasket Set-Part No. 492653.
 ● Included in Carburetor Kit-See Ref. 121.

∅ Included in Valve Overhaul Gasket Set-Part No. 498537.

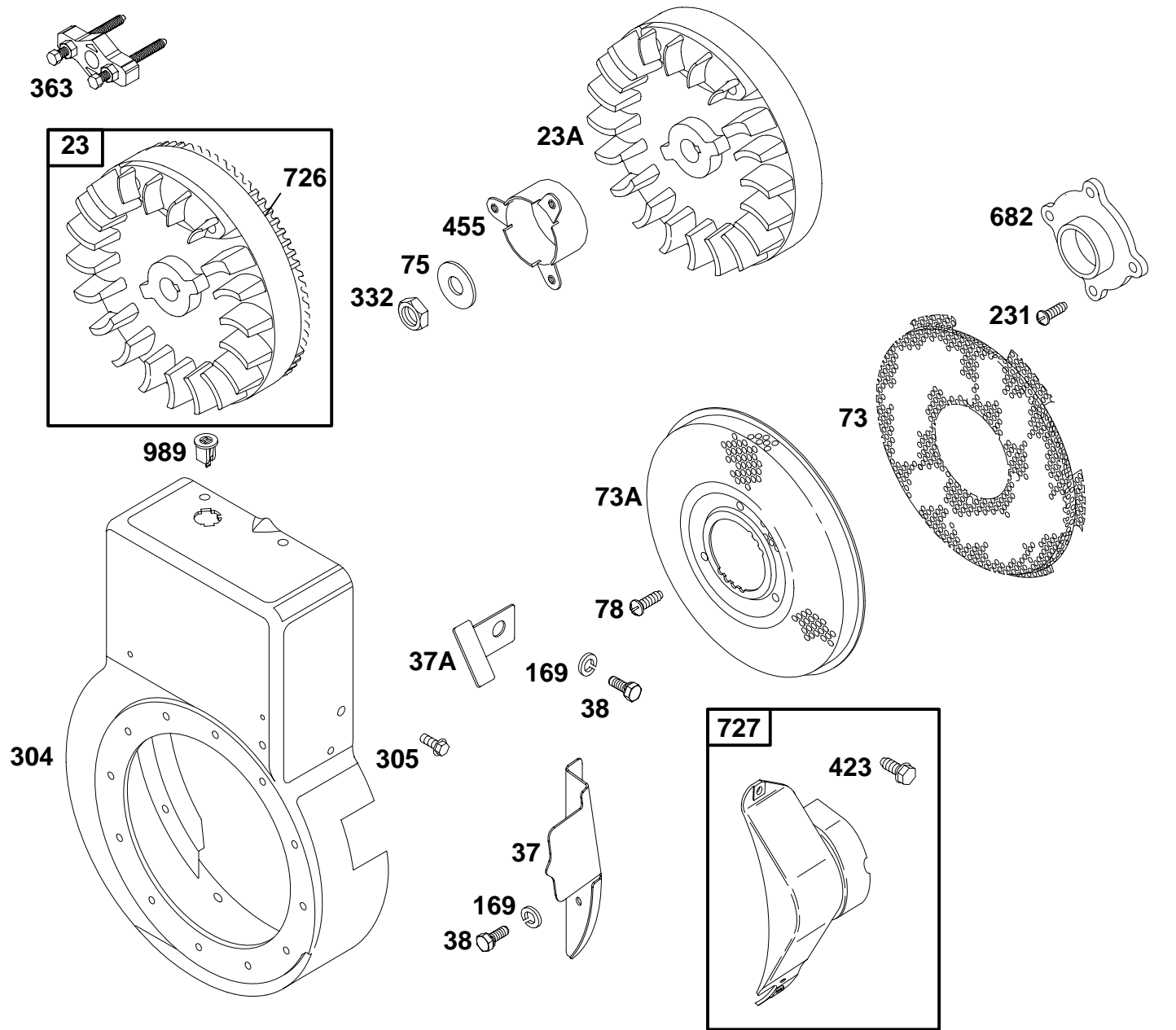


REF. NO.	PART NO.	DESCRIPTION	REF. NO.	PART NO.	DESCRIPTION	REF. NO.	PART NO.	DESCRIPTION
81A	223016	Lock-Muffler Screw	300A	491626	Muffler-Exhaust	668	231109	Spacer
165	94289	Nut-Wing	301	93833	Pipe-Muffler	676	393761	Deflector-Muffler
166	231007	Stud-Air Cleaner	302	261564	Locknut-Muffler	676A	396903	Deflector-Muffler
		Note	346	93705	Screw-Hex.	676B	397630	Deflector-Muffler
		93110 Screw-Socket	445	393957	Filter-Air	836A	94885	Screw-Hex.
		(Used to Plug Air	535	271794	Filter-Air	855	231145	Tube-Intake
		Cleaner Stud Hole in	536	391063	Cleaner-Air	883	272293	Gasket-Exhaust
		Bottom of Carburetor)	613	93927	Screw-Shoulder	888	222726	Bracket-Support
171	92129	Nut-Hex.	642	224885	Cover-Air Cleaner	994	392390	Arrester-Spark
300	391569	Muffler-Exhaust	643	222272	Cover-Air Cleaner			

★ Included in Gasket Set-Part No. 492653.
 ● Included in Carburetor Kit-See Ref. 121.

∅ Included in Valve Overhaul Gasket Set-Part No. 498537.

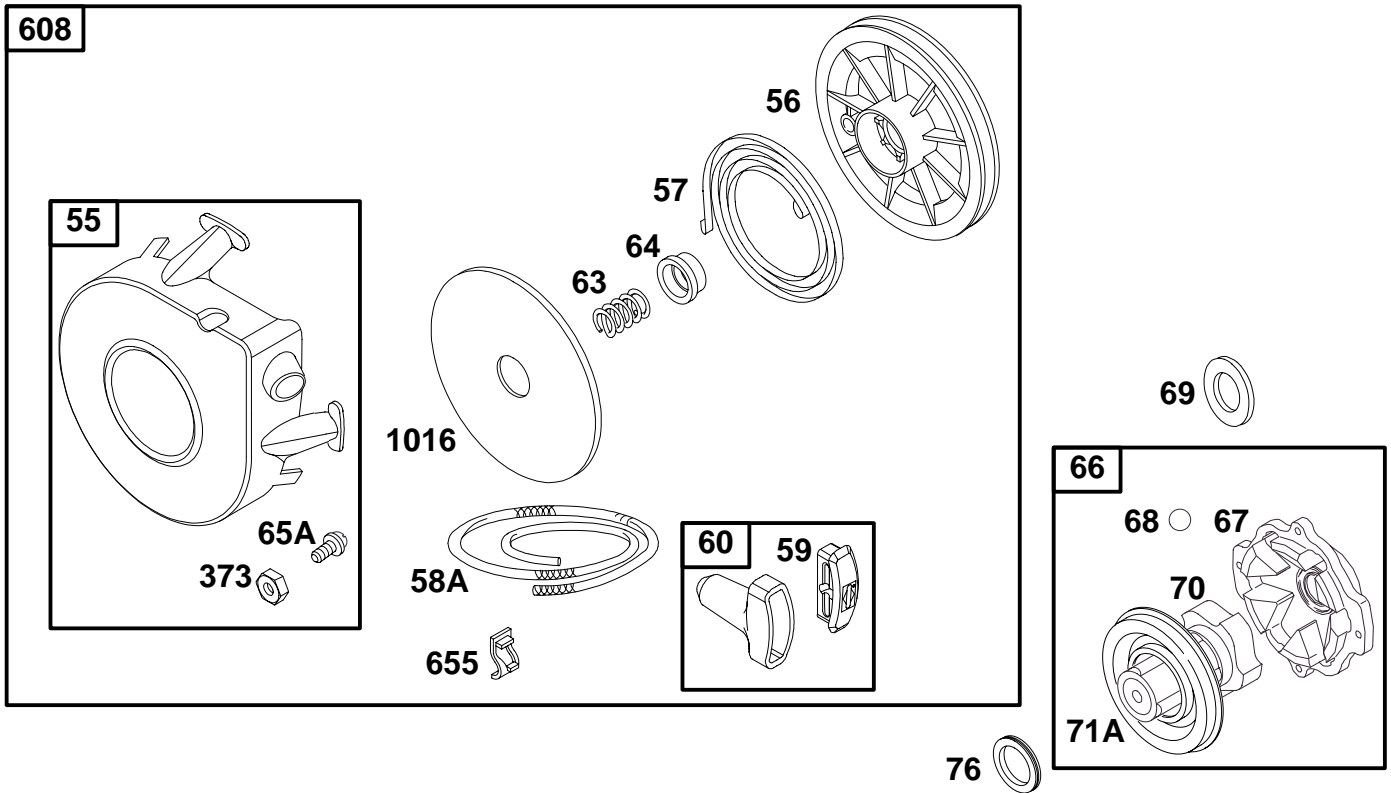
222400 to 222499



REF. NO.	PART NO.	DESCRIPTION	REF. NO.	PART NO.	DESCRIPTION	REF. NO.	PART NO.	DESCRIPTION
23	391988	Flywheel	304	490446	Housing-Blower	682	211516	Shield-Clutch
23A	498896	Flywheel			Note	726	392134	Gear-Ring
37	224886	Guard-Flywheel			490344			(Includes Mtg. Parts)
37A	221968	Guard-Flywheel			Housing-Blower	727	395405	Cover-Starter Drive
38	94811	Screw-Hex.			Used on Type No(s). 0721.	989	491060	Switch-Stop
73	224874	Screen-Rotating	305	94786	Screw-Hex.			(Used After Code Date 96123100).
73A	224517	Screen-Rotating	332	92284	Nut-Flywheel			Note
75	224061	Washer-Flywheel	363	19203	Flywheel Puller			399668
78	94626	Screw-Phillips	423	94903	Screw-Shoulder			(Used Before Code Date 97010100).
169	93713	Washer-Lock	455	222561	Cup-Flywheel			
231	94238	Screw-Slotted Hex.						

★ Included in Gasket Set-Part No. 492653.
 ● Included in Carburetor Kit-See Ref. 121.

∅ Included in Valve Overhaul Gasket Set-Part No. 498537.

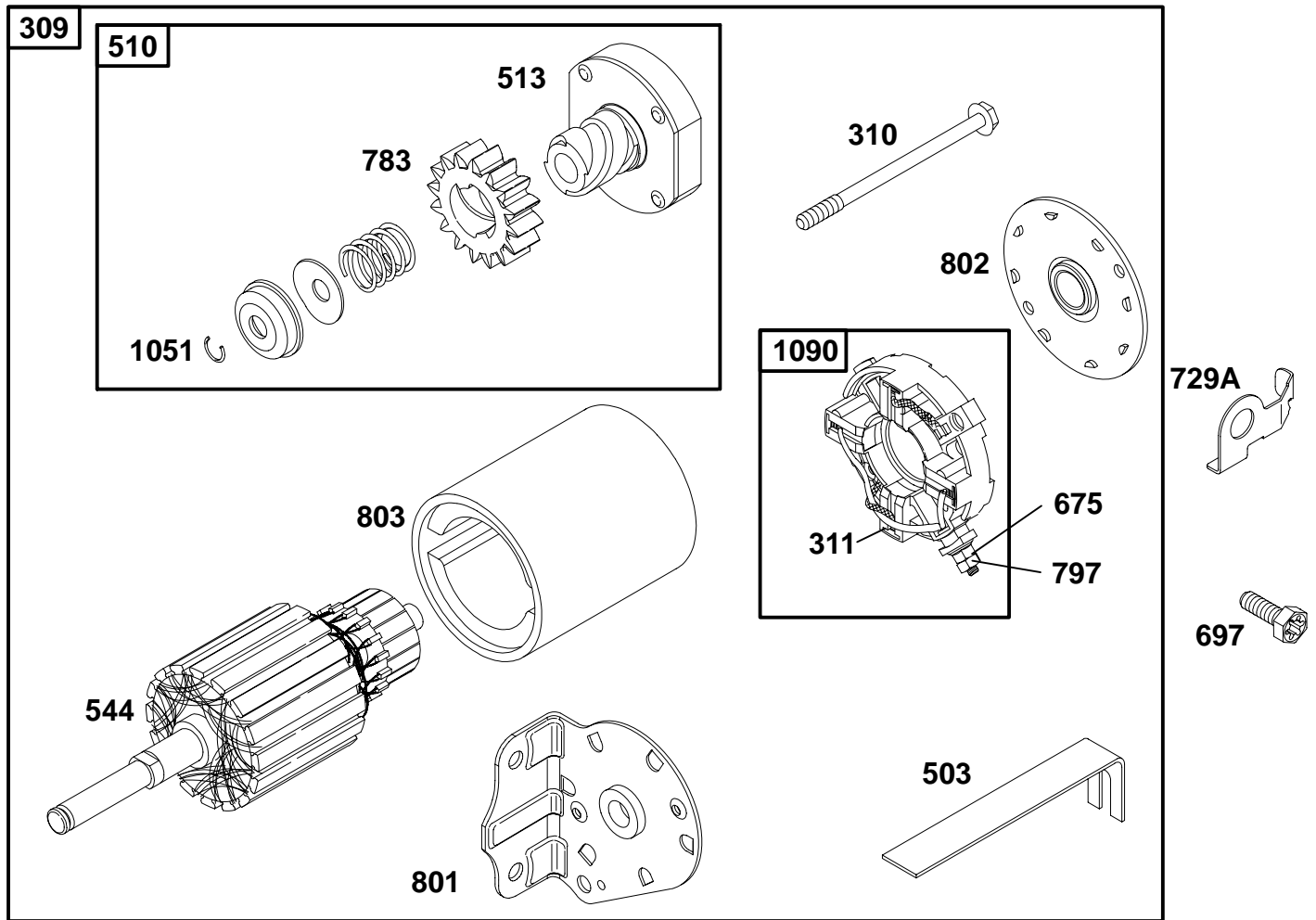


REF. NO.	PART NO.	DESCRIPTION	REF. NO.	PART NO.	DESCRIPTION	REF. NO.	PART NO.	DESCRIPTION
55	393576	Housing–Rewind Starter Note 398099 Housing–Rewind Starter Used on Type No(s). 0516, 0601, 0602, 0604, 0630, 0631, 0632, 0633, 0634, 0654, 0658, 0706, 0707, 0723, 0725.	59	490653	Insert–Grip	69	66718	Washer
			60	490652	Grip–Starter Rope Note 398101 Grip–Starter Rope Used on Type No(s). 0516, 0601, 0602, 0604, 0630, 0631, 0632, 0633, 0634, 0654, 0658, 0706, 0707, 0723, 0725.	70	298799	Ratchet–Clutch
56	295871	Pulley–Starter (Includes Rope)	63	260414	Spring–Ratchet	71A	394506	Cover–Ratchet
57	490179	Spring–Rewind Starter	64	281204	Adapter–Spring	76	68238	Seal
58A	66894	Rope–Starter (Cut to Required Length)	65A	94128	Screw–Hex.	373	92987	Nut–Hex.
			66	399671	Clutch–Starter	608	390391	Starter–Rewind Note 397982 Starter–Rewind Used on Type No(s). 0516, 0601, 0602, 0604, 0630, 0631, 0632, 0633, 0634, 0654, 0658, 0706, 0707, 0723, 0725.
			67	394897	Housing–Clutch	655	222598	Anchor–Spring
			68	63770	Ball–Clutch	1016	490817	Spacer–Rewind

★ Included in Gasket Set–Part No. 492653.
● Included in Carburetor Kit–See Ref. 121.

∅ Included in Valve Overhaul Gasket Set–Part No. 498537.

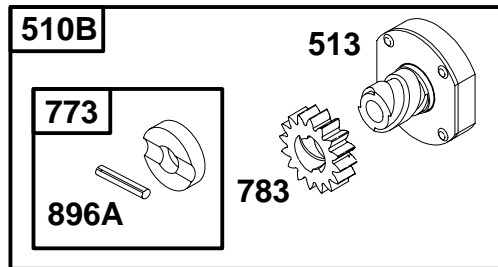
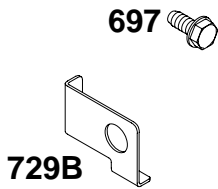
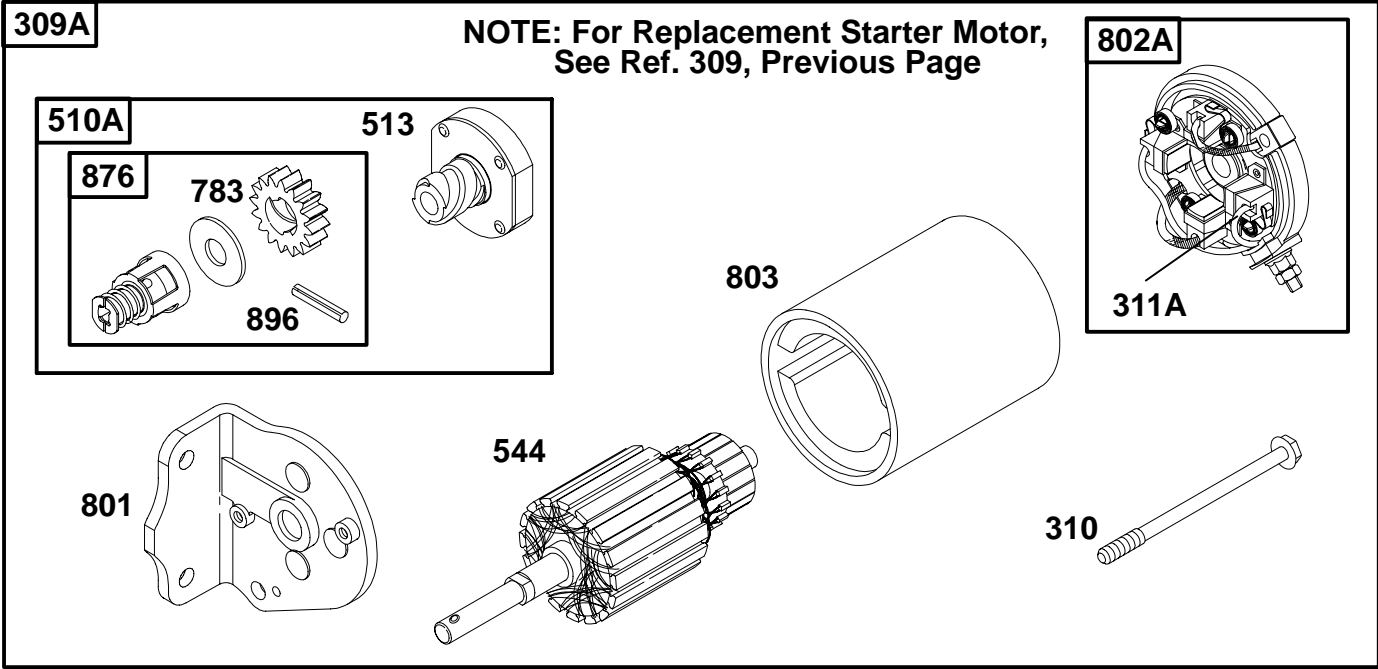
222400 to 222499



REF. NO.	PART NO.	DESCRIPTION	REF. NO.	PART NO.	DESCRIPTION	REF. NO.	PART NO.	DESCRIPTION
309	693054	Motor-Starter (3 5/8" Housing Lgth.)	311	497608	Brush Set	783	693059	Gear-Starter
		Note	503	806000	Strap-Starter	797	92278	Nut (Starter Terminal)
		499521 Motor-Starter (4 3/8" Housing Lgth.)	510	497606	Drive-Starter	801	497626	Cap-Drive
310	94003	Bolt (Starter Motor) (For 3 5/8" Housing Length)	513	398003	Clutch-Drive	802	497607	Cap-End
		Note	544	497603	Armature-Starter (3 5/8" Housing Length)	803	497604	Housing-Starter (3 5/8" Housing Length)
		95035 Bolt (Starter Motor) (For 4 3/8" Housing Length)	675	225137	Washer-Flat (Starter Motor)	1051	263080	Ring-Retaining
			697	94773	Screw-Torx® Hex (Starter Motor Mounting)	1090	497605	Retainer-Brush
			729A	225170	Clip-Wire			

★ Included in Gasket Set-Part No. 492653.
● Included in Carburetor Kit-See Ref. 121.

∅ Included in Valve Overhaul Gasket Set-Part No. 498537.

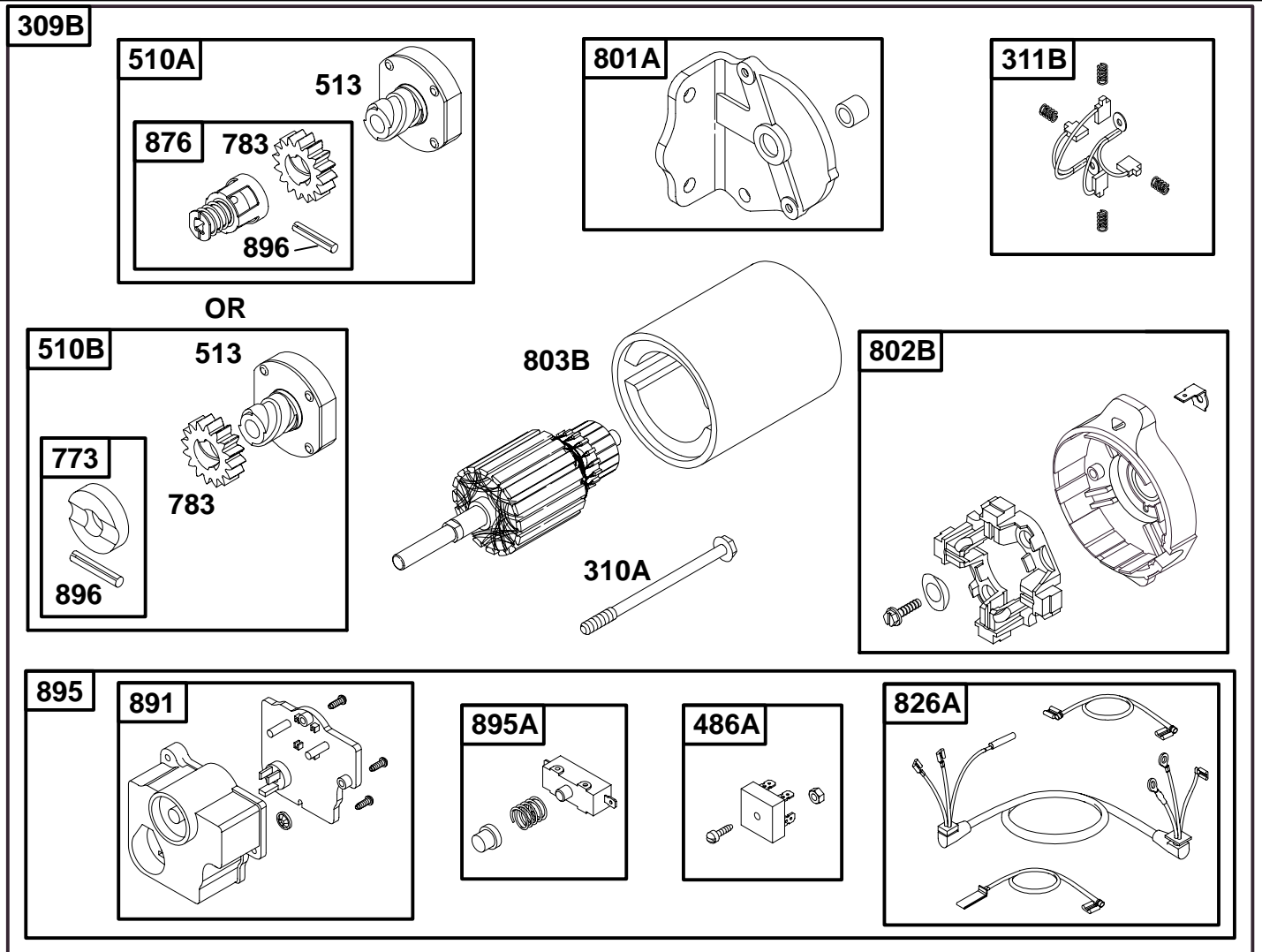


REF. NO.	PART NO.	DESCRIPTION	REF. NO.	PART NO.	DESCRIPTION	REF. NO.	PART NO.	DESCRIPTION
309A		Motor-Starter (For Replacement Starter Motor, See Ref 309, Previous Page.)	510A	495878	Drive-Starter	783	693059	Gear-Starter
310	94003	Bolt (Starter Motor) (For 3 5/8" Housing Length)	510B	391461	Drive-Starter	801	394856	Cap-Drive
		Note _____ 95035 Bolt (Starter Motor) (For 4 3/8" Housing Length)	513	398003	Clutch-Drive	802A	395537	Cap-End
311A	395538	Brush Set (For Motors With 3 5/8" and 4 3/8" Housings)	544A	390837	Armature-Starter (For Motors With and 3 5/8" Housings)	803A	398159	Housing-Starter (3 21/32" Long)
					Note _____ 391160 Armature-Starter (For Motor With 4 3/8" Housing)			Note _____ 494205 Housing-Starter (4 3/8" Long)
			697	94773	Screw-Torx® Hex (Starter Motor Mounting)	876	495877	Kit-Gear
			729B	224723	Clip-Wire	896	94288	Pin-Drive Retainer (Copper Flash Finish)
			773	391462	Retainer-Clutch	896A	94192	Pin-Drive Retainer (Black)

★ Included in Gasket Set-Part No. 492653.
● Included in Carburetor Kit-See Ref. 121.

∅ Included in Valve Overhaul Gasket Set-Part No. 498537.

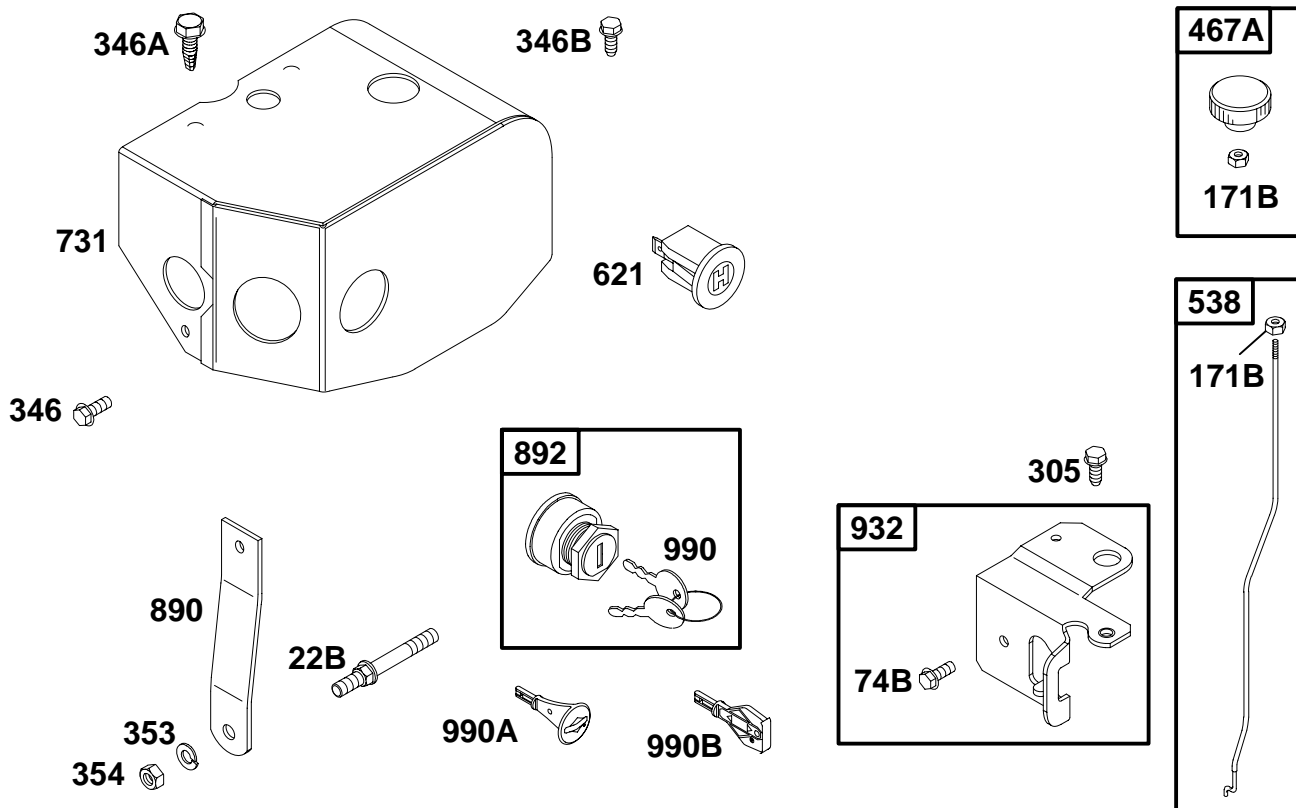
222400 to 222499



REF. NO.	PART NO.	DESCRIPTION	REF. NO.	PART NO.	DESCRIPTION	REF. NO.	PART NO.	DESCRIPTION
309B	396505	Motor-Starter (120 Volt)	801A	394398	Cap-Drive	826A	393706	Harness-Wiring
310A	93934	Screw-Hex.	802B	491192	Cap-End (Used After Code Date 87033100).	876	495877	Kit-Gear
311B	393612	Brush Set			Note	891	393705	Housing-Switch
486A	393707	Rectifier			491778 Cap-End (Used Before Code Date 87040100).	895	393486	Switch-Starting
510A	495878	Drive-Starter			491008 Housing-Starter (Used After Code Date 87033100).	895A	393708	Switch-Starting
510B	391461	Drive-Starter	803B	491008	Housing-Starter (Used Before Code Date 87040100).	896	94288	Pin-Drive Retaining (Copper Flash Finish)
513	398003	Clutch-Drive			Note			94192 Pin-Drive Retaining (Black)
728	94773	Screw-Torx®Hex.			394254 Housing-Starter (Used Before Code Date 87040100).			
735	390966	Cord-Starter						
773	391462	Retainer-Clutch						
783	280104	Gear-Starter						

★ Included in Gasket Set-Part No. 492653.
● Included in Carburetor Kit-See Ref. 121.

∅ Included in Valve Overhaul Gasket Set-Part No. 498537.

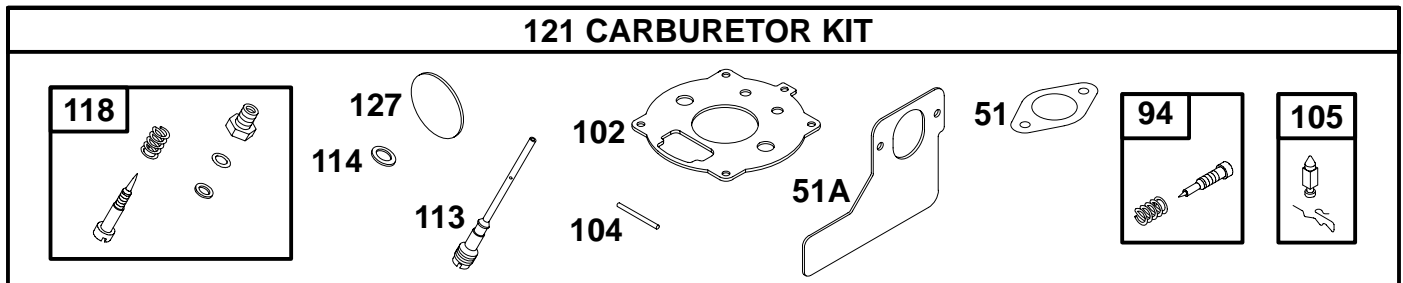
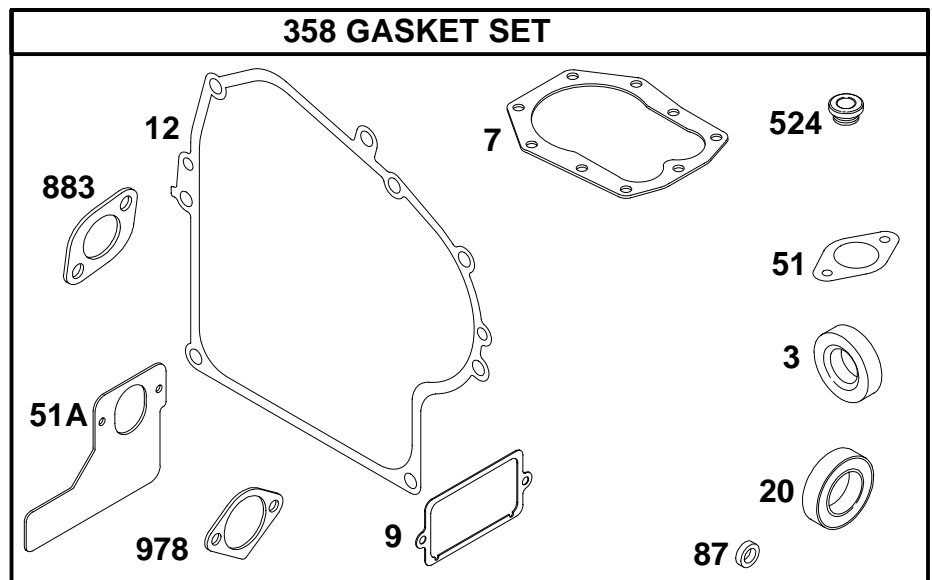
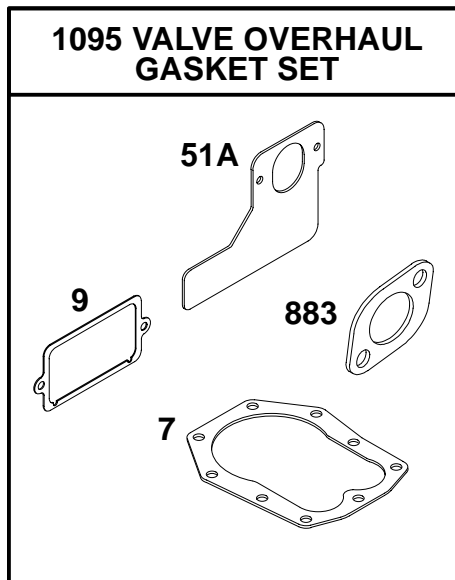


REF. NO.	PART NO.	DESCRIPTION	REF. NO.	PART NO.	DESCRIPTION	REF. NO.	PART NO.	DESCRIPTION
22B	94931	Stud-Hex. Drive	621	491060	Switch-Stop	890	222710	Bracket-Support
74B	93042	Screw-Hex.			Used on Type No(s). 0631, 0658.			Note
171B	90356	Nut-Hex.	731	399158	Hood-Snow			223283 Bracket-Support
305	94786	Screw			Note			Used on Type No(s). 0631, 0658.
346	93705	Screw (Hood to Strap)			399154 Hood-Snow			223825 Bracket-Support
346A	93490	Screw (Hood To Blower Hsg.)			Used on Type No(s). 0631, 0658.			Used on Type No(s). 0720, 0721, 0722, 0723, 0725, 4001.
346B	93640	Screw (Hood To Cylinder Head)			490173 Hood-Snow			
353	90366	Washer-Lock			Used on Type No(s). 0720, 0721, 0722, 0723, 0725, 4001.	892	392833	Key Switch
354	94314	Nut-Hex.				932	396084	Guide-Rod
467A	391908	Knob-Control				990	392832	Key Set
538	396085	Rod-Governor Control				990A	490023	Key Set
						990B	280596	Key-Ignition

★ Included in Gasket Set-Part No. 492653.
● Included in Carburetor Kit-See Ref. 121.

∅ Included in Valve Overhaul Gasket Set-Part No. 498537.

222400 to 222499



REF. NO.	PART NO.	DESCRIPTION	REF. NO.	PART NO.	DESCRIPTION	REF. NO.	PART NO.	DESCRIPTION
3	★391086	Seal—Oil	87	★491323	Seal—Governor Shaft	121	394989	Carburetor Kit (Used After Code Date 81060111).
7	∅★271866	Gasket—Cylinder Head	94	●292681	Valve—Idle Adjustment			Note
9	∅★27803	Gasket—Breather	102	●270268	Gasket—Carburetor Body			391071 Carburetor Kit (Used Before Code Date 81060211).
12	★272125	Gasket—Crankcase (.015" Thick)	104	●230896	Pin—Float Hinge	127	●221747	Plug—Welch
		Note	105	●394681	Kit—Needle/Seat	358	492653	Gasket Set
		★272219 Gasket—Crankcase (.005" Thick)	113	●394730	Nozzle—Carburetor (Used After Code Date 81060111).	524	★281370	Seal—Fill Tube
		★272220 Gasket—Crankcase (.009" Thick)			Note	883	∅★272293	Gasket—Exhaust
20	★291675	Seal—Oil			●390950 Nozzle—Carburetor (Used Before Code Date 81060211).	978	★271736	Gasket
51	★270267	Gasket—Intake	114	●68667	Gasket—Nozzle	1095	498537	Gasket Set—Valve Overhaul
51A	∅★498869	Gasket—Carburetor Mounting	118	●99525	Valve—High—Speed			

★ Included in Gasket Set—Part No. 492653.
● Included in Carburetor Kit—See Ref. 121.

∅ Included in Valve Overhaul Gasket Set—Part No. 498537.