

**231401 to 231476**

## **Illustrated Parts List**

### **MODEL SERIES**

# **231401 to 231476**

#### **TYPE NUMBERS**

0010 to 0041

0110 to 0186

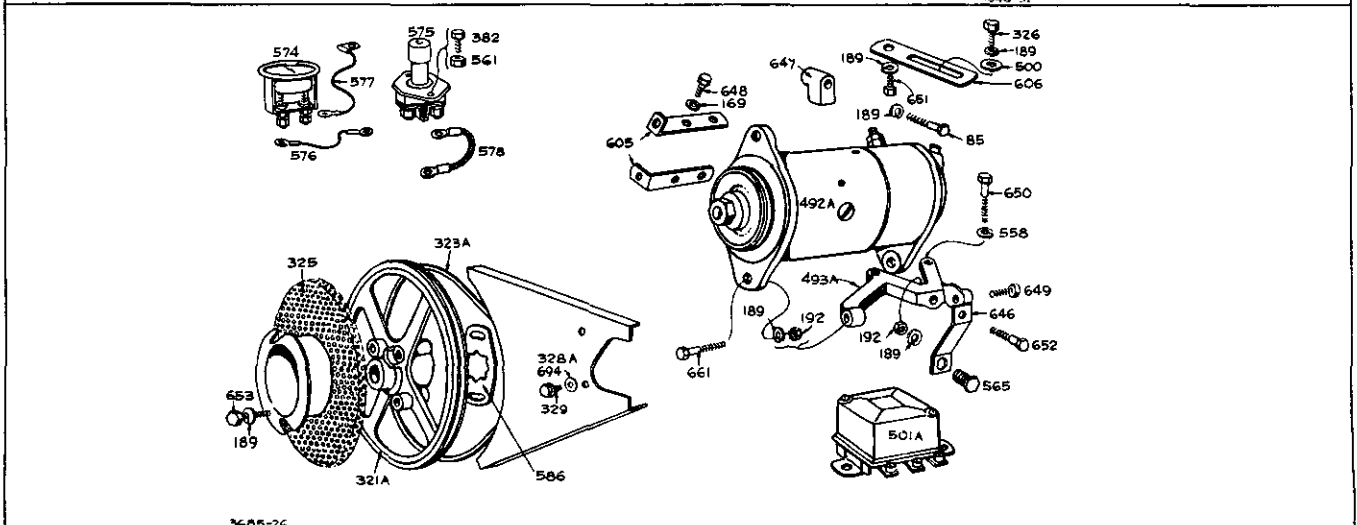
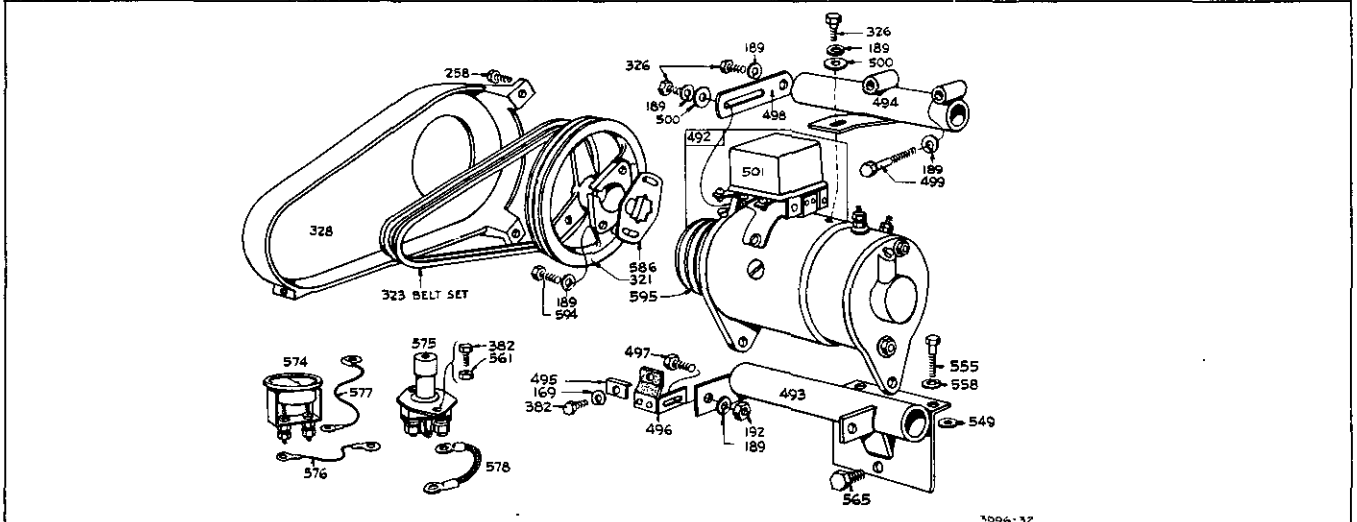
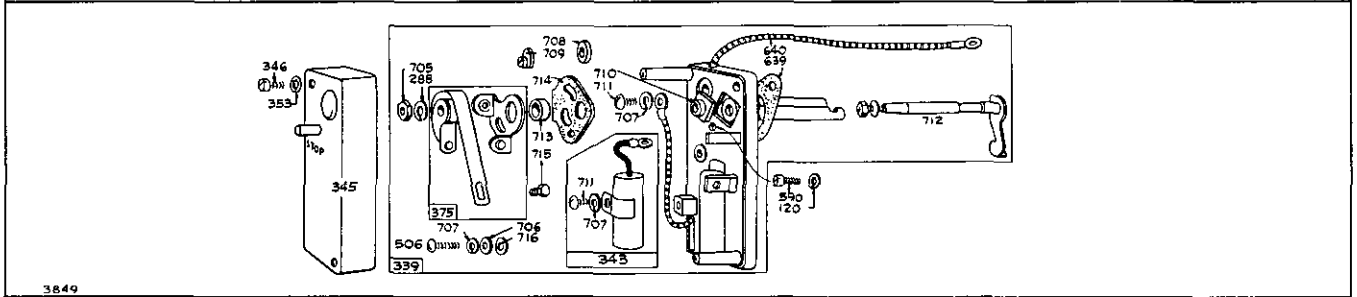
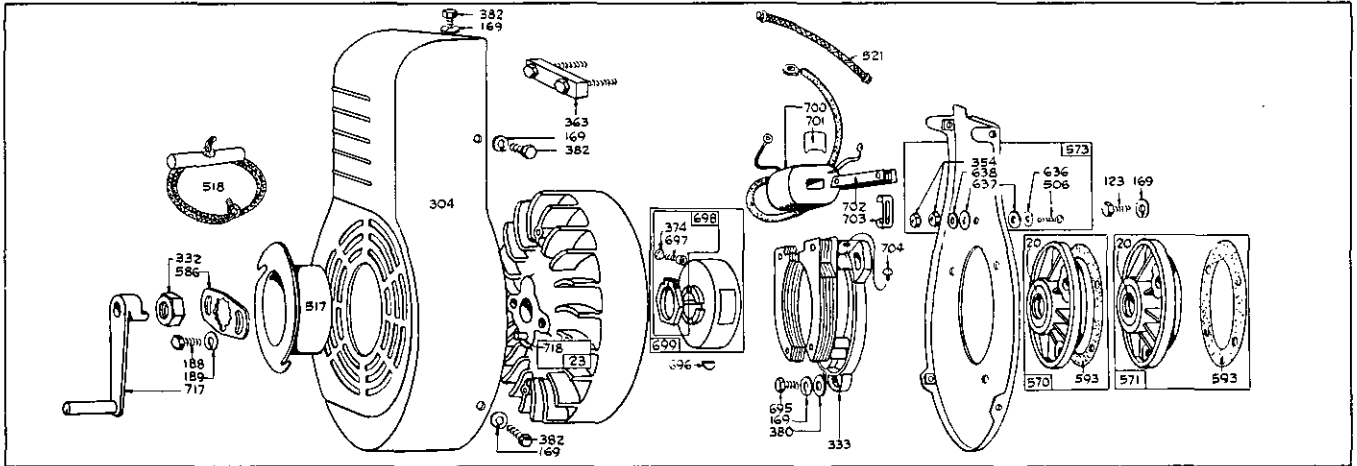
#### **TO FIND THE CORRECT NUMBER OF THE PART YOU NEED: FOLLOW THE INSTRUCTIONS BELOW.**

- A. Refer to Engine Model, Type and Serial Number that is stamped on the blower housing or name plate of engine. Engine type numbers such as 0147 01 are listed herein only as 0147. The two digits (01 or 02, etc.) to the right of the space are not needed for parts identification. Then use the Illustrated Parts List covering these Model Series.
- B. Refer to Illustrated Parts section and compare the old part with illustration. The number on the illustration is the Reference Number. Assemblies include all parts shown in frames. All parts shown in assembly frames on which individual reference numbers are given can be purchased separately.
- C. After the Reference Number has been identified, refer to the Numerical Parts List, where Reference and Master Part Numbers are listed. **THE MASTER PART IS USED ON ALL TYPE NUMBERS EXCEPT THOSE TYPE NUMBERS UNDER "NOTE".**
- D. If a "Note" appears below the Master Part Number, this means that this part differs from the Master Part for certain types. If the Type Number is listed under "Note", order the part referred to.
- E. If the Engine Type Number does not appear after any part number listed under "Note", use the Master Part Number.
- F. For Type Numbers higher than those covered by this book, please refer to the factory if you are unable to identify the part by comparison.





# 231401 to 231476



Assemblies include all parts shown in frames.

# 231401 to 231476

REF. NO.	PART NO.	DESCRIPTION	REF. NO.	PART NO.	DESCRIPTION	REF. NO.	PART NO.	DESCRIPTION	
1	291641	Cylinder Assembly <b>Note:</b> 291772 Cylinder Assy. Used on type Nos. 0024, 0025, 0122, 0123, 0130, 0131, 0135, 0136, 0139, 0140, 0141, 0142, 0143, 0144, 0145, 0149, 0152, 0153, 0154, 0162, 0165, 0174, 0178, 0181.		260762	Crankshaft Used on type Nos. 0114, 0124, 0138, 0149. 260763 Crankshaft Used on type Nos. 0115, 0132, 0148, 0174. 260764 Crankshaft Used on type Nos. 0030, 0116, 0126, 0128, 0141, 0151, 0157, 0163, 0166, 0169, 0172, 0173, 0176, 0180, 0181. 260765 Crankshaft Used on type Nos. 0040, 0168. 260776 Crankshaft Used on type Nos. 0024, 0122. 260777 Crankshaft Used on type Nos. 0133, 0136, 0154. 260778 Crankshaft Used on type Nos. 0135, 0178. 260781 Crankshaft Used on type No. 0170. 260804 Crankshaft Used on type Nos. 0022, 0159. 260807 Crankshaft Used on type No. 0142.		21	66768	Plug—Oil Filler
5	210580	Head—Cylinder <b>Note:</b> 292576 Head—Cylinder Used on type Nos. 0154, 0178.		17	291667	Bearing—Ball	23	291657	Flywheel—Magneto <b>Note:</b> 294721 Flywheel—Magneto Uses: 220802 Screen (Mounted to Flywheel) 220803 Support—Screen 220397 Spacer (4) 93125 Screw (4) 67632 Washer—Plain (4) Used on type Nos. 0136, 0143, 0144.
6	22963	Washer—Cylinder Head		18	291283	Cover Assy.—Crankcase (Plain Bearing) Used only on Model 231401 to 231407 Engines.	25	294676	Piston Assy.—Standard
7	*270273	Gasket—Cylinder Head <b>Note:</b> Three No. 270273 Cyl. Head Gaskets are used on type Nos. 0124, 0125, 0126, 0132, 0146, 0147, 0155, 0164.		18A	291665	Cover Assy.—Crankcase (Ball Bearing) Used only on Model 231431 to 231437 Engines except as listed under note. <b>Note:</b> 291710 Cover Assy.—Crankcase Used on type Nos. 0135, 0138, 0178.	294677	Piston Assembly— .010" O.S.	
8	297704	Breather <b>Note:</b> 294630 Breather Used on type Nos. 0143, 0162, 0176.					294678	Piston Assembly— .020" O.S.	
9	*66214	Gasket—Valve Cover					294679	Piston Assembly— .030" O.S. <b>The above Pistons are used after Serial No. 6608151.</b>	
11	67068	Tube—Breather <b>Note:</b> 66788 Tube—Breather Uses: 220851 Clamp—Tube Used on type Nos. 0143, 0162, 0176.					<b>Note:</b> 99947 Piston Assy.—Std. 99948 Piston Assy.— .010" O.S. 99949 Piston Assy.— .020" O.S. 99950 Piston Assy.— .030" O.S. <b>The above Pistons under Note are used before Serial No. 6608161.</b>		
12	*27350	Gasket—Crankcase Cover					26	292100	Ring Set—Piston—Std. Includes: 210076 Ring—Piston, Comp., Top & Center, Standard 61292 Ring—Piston, Oil, Standard
14	92674	Screw—Cylinder Head						292101	Ring Set—Piston— .010" O.S. Includes: 210077 Ring—Piston, Comp., Top & Center, .010" O.S.
15	91084	Plug—Pipe—3/8" <b>Note:</b> 92542 Plug—Oil Drain Used on type No. 0133. 92817 Plug—Oil Drain—3/8" Magnetic Used on type No. 0122. 93418 Plug—Pipe (Socket Hd.) Used on type No. 0134.							
16	260761	Crankshaft <b>Note:</b> 260510 Crankshaft Used on type No. 0179. <b>Note:</b> 260760 Crankshaft Used on type Nos. 0020, 0112, 0155, 0165, 0175.							
				20	298423	Seal—Oil <b>Note:</b> 291675 Seal—Oil Used in Crkcase. Covers on Model 231431 to 231437 Engines.			

\* Included in Gasket Set—Part No. 291728.

# 231401 to 231476

REF. NO.	PART NO.	DESCRIPTION	REF. NO.	PART NO.	DESCRIPTION	REF. NO.	PART NO.	DESCRIPTION
		<b>61335</b> Ring—Piston, Oil, .010" O. S.	<b>32</b>	<b>230557</b>	Screw—Connecting Rod	<b>51</b>	† <b>65647</b>	Gasket—Intake Elbow
<b>292102</b>		Ring Set—Piston—Includes: <b>210078</b> Ring—Piston, Comp., Top & Center, .020" O. S.	<b>33</b>	<b>23923</b>	Valve—Exhaust	<b>52</b>	<b>*27381</b>	Gasket—Intake Elbow Mounting
		<b>61336</b> Ring—Piston, Oil, .020" O. S.		<b>Note:</b>	<b>26736</b> Valve—Exhaust	<b>79</b>	<b>291357</b>	Case Assembly—Gear
<b>292103</b>		Ring Set—Piston—.030" O. S.			Used on type Nos. 0024, 0025, 0122, 0123, 0130, 0131, 0135, 0136, 0139, 0140, 0141, 0142, 0143, 0144, 0145, 0149, 0152, 0153, 0154, 0162, 0165, 0174, 0178, 0181.		<b>Note:</b>	<b>291712</b> Case Assembly—Gear
		Includes: <b>210079</b> Ring—Piston, Comp., Top & Center, .030" O. S.	<b>34</b>	<b>23922</b>	Valve—Intake			Used on type Nos. 0040, 0168.
		<b>61337</b> Ring—Piston, Oil, .030" O. S.		<b>Note:</b>	<b>23923</b> Valve—Intake			Includes: <b>63382</b> Cup—Bearing
<b>27</b>	<b>68546</b>	Lock—Piston Pin			Used on type Nos. 0024, 0025, 0122, 0123, 0130, 0131, 0135, 0136, 0139, 0140, 0141, 0142, 0143, 0144, 0145, 0149, 0152, 0153, 0154, 0162, 0165, 0174, 0178, 0181.			<b>230012</b> Pin—Washer Ret.
		Used after Serial No. 6608151.	<b>35</b>	<b>65906</b>	Spring—Intake Valve			<b>220064</b> Washer—Thrust
		<b>Note:</b> <b>65776</b> Lock—Piston Pin	<b>36</b>	<b>65906</b>	Spring—Exhaust Valve	<b>81</b>	<b>220790</b>	Lock—Gear Case Mounting Screw
		Used before Serial No. 6608161.		<b>Note:</b>	<b>26828</b> Spring—Exhaust Valve	<b>83</b>	<b>291762</b>	Shaft Assembly—Drive
<b>28</b>	<b>298401</b>	Pin Assy.—Piston—Standard			Used on type Nos. 0024, 0025, 0122, 0123, 0127, 0130, 0131, 0135, 0136, 0139, 0140, 0141, 0142, 0143, 0144, 0145, 0149, 0152, 0153, 0154, 0162, 0163, 0164, 0165, 0174, 0178, 0181.		<b>Note:</b>	<b>290638</b> Drive Shaft, Gear and Bearing Assembly
	<b>294681</b>	Pin Assy.—Piston—.005" O. S.	<b>40</b>	<b>68293</b>	Retainer—Valve Spring Collar			Used on type Nos. 0040, 0168.
		The above Piston Pins are used after Serial No. 6608151.		<b>Note:</b>	<b>292260</b> Rotocoil—Exhaust Valve			Includes: <b>19015</b> Cone—Roller Brg. (Large)
		<b>Note:</b> <b>69925</b> Pin Assy.—Piston—Standard	<b>41</b>	<b>68283</b>	Collar—Valve Spring			<b>69866</b> Cone—Roller Brg. (Small)
		<b>29103</b> Pin Assy.—Piston—.005" O. S.	<b>45</b>	<b>26670</b>	Tappet—Valve			<b>22723</b> Shim—.003" thick
		<b>Part No. 69925 and 29103 Piston Pins are used before Serial No. 6608161.</b>	<b>46</b>	<b>291400</b>	Gear Assembly—Cam			<b>22724</b> Shim—.010" thick
<b>29</b>	<b>298400</b>	Rod Assy.—Connecting	<b>50</b>	<b>21920</b>	Elbow—Carburetor Intake	<b>85</b>	<b>91386</b>	Screw—Gear Case Cover and Link Anchor Mtg. (2" long)
		Used after Serial No. 6608151.		<b>Note:</b>	<b>210058</b> Elbow—Intake		<b>Note:</b>	<b>92279</b> Screw—Gear Case Cover (1-1/2" long)
		<b>Note:</b> <b>291647</b> Rod Assy.—Connecting			Used on type Nos. 0024, 0025, 0122, 0123, 0127, 0130, 0131, 0135, 0136, 0139, 0140, 0141, 0142, 0143, 0144, 0145, 0149, 0152, 0153, 0154, 0162, 0163, 0164, 0165, 0174, 0178, 0181.			Used on type Nos. 0040, 0168.
		Used before Serial No. 6608161.	<b>41</b>	<b>68283</b>	Collar—Valve Spring			<b>92909</b> Screw—Cap, Hex. Hd.—5/16-18 x 1-7/8
<b>30</b>	<b>220805</b>	Dipper—Connecting Rod	<b>45</b>	<b>26670</b>	Tappet—Valve			Used to mount Link Anchor on type Nos. 0023, 0130, 0161.
<b>31</b>	<b>22946</b>	Lock—Conn. Rod Screw	<b>46</b>	<b>291400</b>	Gear Assembly—Cam	<b>86</b>	<b>291354</b>	Cover Assembly—Gear Case
			<b>50</b>	<b>21920</b>	Elbow—Carburetor Intake		<b>Note:</b>	<b>290574</b> Cover Assembly—Gear Case
				<b>Note:</b>	<b>210058</b> Elbow—Intake			Used on type Nos. 0040, 0168.
					Uses: <b>92783</b> Plug			
					Used on type No. 0154.			

\* Included in Gasket Set—Part No. 291728.

† Included in Carburetor Overhaul Kit—Part No. 291763.

# 231401 to 231476

REF. NO.	PART NO.	DESCRIPTION	REF. NO.	PART NO.	DESCRIPTION	REF. NO.	PART NO.	DESCRIPTION
		Includes: <b>22723</b> Shim—.003" thick <b>22724</b> Shim—.010" thick <b>63899</b> Cup-Bearing <b>69858</b> Seal-Oil			<b>Note:</b> <b>291745</b> Body Assembly—Lower Carburetor Used on type Nos. 0133, 0161.	<b>163</b>	<b>*67247</b>	Gasket—Air Cleaner Mtg.
<b>87</b>	<b>298423</b>	Seal—Oil	<b>108</b>	<b>62872</b>	Valve—Choke <b>Note:</b> <b>22954</b> Valve—Choke Used on type Nos. 0133, 0161.	<b>164</b>	<b>291462</b>	Pipe—Air Cleaner <b>Note:</b> <b>294632</b> Pipe—Air Cleaner Used on type Nos. 0143, 0162, 0176.
<b>88</b>	<b>27328</b>	Gasket—Gear Case Cover <b>Note:</b> <b>68247</b> Gasket—Gear Case Cover. Used on type Nos. 0040, 0168.	<b>109</b>	<b>89531</b>	Shaft and Lever—Choke <b>Note:</b> <b>291747</b> Shaft, Vane and Lever Assembly—Automatic Choke <b>291776</b> Lever Assembly—Automatic Choke Used on type Nos. 0133, 0161.	<b>165</b>	<b>92650</b>	Nut—Wing
<b>89</b>	<b>91488</b>	Plug—Sq. Hd., 1/8", Pipe	<b>110</b>	<b>62899</b>	Washer—Choke Lever and Thermostat	<b>166</b>	<b>230739</b>	Stud—Air Cleaner <b>Note:</b> <b>23870</b> Stud—Air Cleaner Used on type Nos. 0120, 0143, 0174, 0183. <b>230768</b> Stud—Air Cleaner Used on type No. 0134.
<b>90</b>	<b>293950</b>	Carburetor Assembly <b>Note:</b> <b>291427</b> Carburetor Assy. Used on type Nos. 0024, 0122, 0136, 0154, 0178. <b>291746</b> Carburetor Assy. Used on type No. 0133. <b>292106</b> Carburetor Assy. Used on type Nos. 0124, 0125, 0126, 0132, 0146, 0147, 0155, 0164. <b>293948</b> Carburetor Assy. Used on type No. 0161.	<b>111</b>	<b>26155</b>	Spring—Choke Lever	<b>167</b>	<b>66648</b>	Gasket—Air Cleaner Stud
<b>91</b>	<b>291655</b>	Body Assembly—Upper Carburetor	<b>112</b>	<b>23123</b>	Screw—Choke Lever	<b>168</b>	<b>22832</b>	Strap—Air Cleaner Pipe
<b>92</b>	<b>99375</b>	Body—Upper Carburetor	<b>113</b>	<b>†99345</b>	Nozzle—Carburetor	<b>169</b>	<b>90832</b>	Washer—Lock—1/4 x 3/32 x 5/64" <b>Note:</b> <b>92778</b> Washer—Lock—Shakeproof Used on type Nos. 0122, 0154, 0174, 0178.
<b>93</b>	<b>23108</b>	Bushing—Throttle Shaft	<b>114</b>	<b>†68667</b>	Gasket—Nozzle	<b>170</b>	<b>91468</b>	Screw—Cap, Hex. Hd.—1/4-20 x 3/8"
<b>94</b>	<b>†292681</b>	Valve Assembly—Carburetor Idle	<b>115</b>	<b>†23117</b>	Retainer—Needle Valve <b>Note:</b> <b>292226</b> Retainer Assy.—Needle Valve Used on type Nos. 0124, 0125, 0126, 0132, 0146, 0147, 0155, 0164.	<b>171</b>	<b>92129</b>	Nut—Hex.—1/4-28
<b>95</b>	<b>93038</b>	Screw—Choke and Throttle Valve Mtg. Sem	<b>116</b>	<b>†68677</b>	Packing—Needle Valve	<b>173</b>	<b>99230</b>	Arresior—Flame
<b>96</b>	<b>62940</b>	Valve—Throttle	<b>117</b>	<b>†23118</b>	Nut—Needle Valve Pkg. <b>Note:</b> <b>230085</b> Valve—Needle Used on type Nos. 0124, 0125, 0126, 0132, 0146, 0147, 0155, 0164.	<b>180</b>	<b>291488</b>	Tank Assembly—Fuel (6 Quart) <b>Note:</b> Fuel Tank used on type No. 0156 is supplied by the equipment manufacturer. <b>291513</b> Tank Assy.—Fuel (Gasoline-Kerosene) Used on type Nos. 0124, 0125, 0126, 0132, 0146, 0147, 0155, 0164. <b>292415</b> Tank Assy.—Fuel (8 Quart) Used on type Nos. 0025, 0134, 0140, 0150, 0151, 0173, 0176, 0180. <b>293024</b> Tank Assy.—Fuel (8 Quart) Uses: <b>92958</b> Plug—Drain <b>293007</b> Strainer—Fuel
<b>97</b>	<b>291300</b>	Shaft Assembly—Throttle	<b>118</b>	<b>†230009</b>	Valve—Needle			
<b>98</b>	<b>91920</b>	Screw—Machine, Fill. Hd.—8-32 x 5/8"	<b>119</b>	<b>90746</b>	Screw—Machine, Fill. Hd.—10-32 x 5/8"			
<b>99</b>	<b>26157</b>	Spring—Thr. Adjustment	<b>120</b>	<b>92290</b>	Washer—Lock—No. 10 x 1/16 x 3/64" <b>Note:</b> <b>92813</b> Washer—Lock—Shakeproof Used to mount Breaker Box on type Nos. 0122, 0154, 0174, 0178.			
<b>100</b>	<b>61967</b>	Stop—Throttle	<b>121</b>	<b>291763</b>	Carburetor Overhaul Kit			
<b>101</b>	<b>93043</b>	Pin—Throttle Lever	<b>123</b>	<b>90790</b>	Screw—Cap, Hex. Hd.—1/4-20 x 3/4" <b>Note:</b> <b>91113</b> Screw—Cap, Hex. Hd.—1/4-20 x 7/8 Used on type Nos. 0123, 0130, 0153, 0156.			
<b>102</b>	<b>†27034</b>	Gasket—Carburetor Body						
<b>103</b>	<b>99333</b>	Float—Carburetor						
<b>104</b>	<b>†230896</b>	Pin—Float Hinge						
<b>105</b>	<b>†299096</b>	Valve and Seat—Fuel Inlet						
<b>107</b>	<b>89915</b>	Body Assembly—Lower Carburetor						

\* Included in Gasket Set—Part No. 291728.

† Included in Carburetor Overhaul Kit—Part No. 291763.

REF. NO.	PART NO.	DESCRIPTION	REF. NO.	PART NO.	DESCRIPTION	REF. NO.	PART NO.	DESCRIPTION
		<b>293007</b> Strainer—Fuel Used on type Nos. 0122, 0154.			<b>92953</b> Elbow—90° (At Lower Shut-Off Valve Outlet)	<b>240</b>	<b>99910</b>	Filter Assembly—Fuel <b>Note:</b> <b>298090</b> Filter (In Fuel Pipe)
<b>181</b>	<b>69221</b>	Cap—Fuel Tank <b>Note:</b> <b>293026</b> Cap—Fuel Tank Used on type Nos. 0122, 0154, 0178.			<b>93037</b> Elbow—90° (Between Fuel Pipe and Valve) The above Fuel Pipes and Fittings are used between Fuel Tank and Fuel Pump on type Nos. 0122, 0136, 0154, 0178.			<b>210212</b> Outlet—Fuel Tank Uses: <b>93372</b> Connector—Reducing Elbow <b>230317</b> Connector—Fuel Pipe Used on type No. 0134.
<b>182</b>	<b>22813</b>	Bracket—Fuel Tank			<b>293637</b> Pipe—Fuel Used between Carburetor and Fuel Pump on type No. 0178.	<b>241</b>	<b>99909</b>	Cover Assembly—Fuel Filter
<b>183</b>	<b>291490</b>	Strap Assy.—Fuel Tank			<b>296004</b> Pipe—Fuel (Flexible) Uses: <b>93053</b> Clamps Used on type No. 0134.	<b>242</b>	<b>295913</b>	Valve—Fuel Shut-Off <b>Note:</b> <b>293934</b> Valve—Fuel Shut-Off Used on type No. 0134.
<b>184</b>	<b>91257</b>	Screw—Machine, Fill. Hd.—1/4-20 x 1-1/4"			<b>296541</b> Pipe—Fuel Used on type No. 0133.	<b>243</b>	<b>22547</b>	Screen—Fuel Filter
<b>185</b>	<b>90970</b>	Nut—Square—1/4-20			<b>296576</b> Pipe—Fuel Used on type No. 0222.	<b>244</b>	<b>53029</b>	Connector—Fuel Pipe <b>Note:</b> <b>63377</b> Connector—Fuel Pipe Used on top of Fuel Pump on type No. 0133.
<b>186</b>	<b>63377</b>	Connector—Fuel Pipe <b>Note:</b> <b>92780</b> Connector—Fuel Pipe (at Fuel Pump) Used on type Nos. 0122, 0136, 0154, 0178.	<b>188</b>	<b>92272</b>	Screw—Cap, Hex. Hd.—5/16-18 x 3/4"			<b>93016</b> Connector—Fuel Pipe Used on type No. 0178.
		<b>93017</b> Connector—Fuel Pipe (at Carburetor) Used on type No. 0178.	<b>189</b>	<b>90366</b>	Washer—Lock—5/16 x 1/8 x 1/16"			<b>230317</b> Connector—Fuel Pipe Used on type No. 0134.
		<b>230318</b> Connector—Fuel Pipe	<b>192</b>	<b>91397</b>	Nut—Hex. 5/16-18	<b>245</b>	<b>*68477</b>	Gasket—Fuel Filter Bowl
		<b>93255</b> Elbow—Connector	<b>196</b>	<b>22907</b>	Support—Upper Fuel Tank	<b>246</b>	<b>298683</b>	Bowl—Fuel Filter
		<b>91635</b> Nipple Used on type No. 0134.	<b>201</b>	<b>26725</b>	Link—Throttle	<b>247</b>	<b>99665</b>	Yoke Assembly—Fuel Filter
<b>187</b>	<b>99396</b>	Pipe—Fuel <b>Note:</b> Fuel Pipe used on type No. 0156 is supplied by the equipment manufacturer.	<b>204</b>	<b>23849</b>	Bushing—Control Lever	<b>258</b>	<b>93062</b>	Screw—Sem
		<b>291703</b> Pipe—Fuel Used between Carburetor and Fuel Pump on type Nos. 0122, 0136, 0154.	<b>206</b>	<b>21772</b>	Nut—Governor Adjusting <b>Note:</b> <b>93384</b> Nut—Governor Stop Used on type Nos. 0010, 0020, 0021, 0022, 0023, 0025, 0030, 0040, 0134, 0143.	<b>266</b>	<b>291460</b>	Control—Throttle
		<b>291704</b> Pipe—Fuel—18" long	<b>208</b>	<b>23963</b>	Rod—Governor Control <b>Note:</b> <b>230040</b> Rod—Governor Control Used on type Nos. 0010, 0020, 0021, 0022, 0023, 0025, 0030, 0040, 0134, 0143.	<b>268</b>	<b>65616</b>	Casing—Control Wire—72" long <b>Note:</b> If longer casing is required, specify length in inches; if shorter casing is needed, order No. 65616 and cut to required length.
		<b>89248</b> Pipe—Fuel—2-1/4" long	<b>209</b>	<b>26764</b>	Spring—Governor	<b>269</b>	<b>26633</b>	Wire—Control—78" long <b>Note:</b> If longer wire is required, specify length in inches; if shorter wire is needed, order No. 26633 and cut to required length.
		<b>92655</b> Tee Used on type Nos. 0124, 0125, 0126, 0132, 0146, 0147, 0155, 0164.	<b>219</b>	<b>291192</b>	Gear Assembly—Governor	<b>270</b>	<b>63426</b>	Locknut—Control Wire Casing
		<b>293646</b> Pipe—Fuel (Flexible)	<b>223</b>	<b>22814</b>	Lever—Governor Control			
		<b>293059</b> Cap Assy.—Fuel	<b>225</b>	<b>291177</b>	Shaft—Governor Gear			
		<b>292370</b> Valve—Fuel Shut-Off	<b>227</b>	<b>291365</b>	Lever Assy.—Governor			
			<b>230</b>	<b>22826</b>	Washer—Governor Crank			

\* Included in Gasket Set—Part No. 291728.

# 231401 to 231476

REF. NO.	PART NO.	DESCRIPTION	REF. NO.	PART NO.	DESCRIPTION	REF. NO.	PART NO.	DESCRIPTION
271	290568	Lever Assembly—Control			<b>297766</b> Housing—Blower	343	291369	Condenser
	<b>Note:</b>	93062 Screw—Sem (2)			Used on type No. 0179.		<b>Note:</b>	292227 Condenser
		Used to mount Control	306	22951	Shield—Cylinder			Used on type Nos. 0122,
		Lever on type Nos.	308	291867	Cover—Cylinder Head			0154, 0174, 0178.
		0154, 0167, 0177.	321	210630	Pulley—V-Belt Starter	345	290882	Cover—Breaker
285	26684	Link—Choke		<b>Note:</b>	210702 Pulley—V-Belt		<b>Note:</b>	292397 Cover—Breaker
286	291445	Thermostat Assembly			Used on type Nos. 0133,			Used on type Nos. 0122,
287	90050	Screw—Machine, Rd.			0151.			0154, 0174, 0178.
		Hd. —6-32 x 1/4"	321A	211166	Pulley—V-Belt Starter	346	90211	Screw—Breaker Cover
288	90362	Washer—Lock—	323	296499	V-Belt Set			Mounting Sem
		No. 6 x 3/64 x 1/32"			(Consists of Matched	347	220197	Switch—Stop
289	23886	Support—Thermostat		<b>Note:</b>	Set of 2)		<b>Note:</b>	29372 Switch—Stop
		Shaft (Outer)			Used on type Nos. 0133,			Used on type Nos. 0153,
290	291444	Tube Assy.—Thermostat	323A	67918	V-Belt			0156.
291	26594	Thermostat	324	221067	Screen—Electric Starter	353	92791	Washer—Lock—Shakeproof
292	23885	Support—Thermostat	326	92272	Screw—Cap, Hex. Hd. —	354	90576	Nut—Hex. —8-32
		Shaft (Inner)			5/16-18 x 3/4"		<b>Note:</b>	92794 Nut—Hex. —8-32
293	23884	Stop—Thermostat Shaft	328	210636	Guard—Belt			Used on type Nos. 0122,
294	92678	Screw—Set, Socket Hd. —			210657 Guard—Belt			0154, 0174, 0178.
		6-32 x 5/16"			Used on type No. 0151.	357	91540	Key—Pulley Mounting
295	23954	Shaft—Thermostat	328A	221531	Guard—Belt	358	291728	Gasket Set
296	291044	Lever Assy.—Thermostat	329	93158	Screw—Belt Guard	362	89742	Shield—Spark Plug
300	290933	Muffler—Exhaust			Mounting Sem		<b>Note:</b>	66538 Elbow—Spark Plug
	<b>Note:</b>	291519 Muffler—Exhaust	332	23949	Nut—Flywheel			Used on type No. 0149.
		Used on type Nos. 0137,	333	290621	Armature and Support	363	19068	Puller—Flywheel
		0160, 0185.			Assembly			(Optional Accessory)
		293459 Muffler—Exhaust		<b>Note:</b>	292318 Armature and	374	92813	Washer—Lock—Shakeproof
		Used on type Nos. 0122,			Support Assembly	375	292021	Point Set—Breaker
		0178.			Used on type Nos. 0122,	379	22984	Cover—Fuel Pump Hole
301	91416	Nipple—Exhaust, Pipe			0154, 0174, 0178.	380	62199	Washer—Plain
302	91310	Locknut—Muffler	337	29693	Plug—Spark	382	92666	Screw—Cap, Hex. Hd. —
303	91296	Elbow—Exhaust 90°, Pipe			(with Gasket)			1/4-20 x 1/2"
	<b>Note:</b>	91415 Elbow—Exhaust		<b>Note:</b>	291954 Plug—Spark		<b>Note:</b>	93415 Screw—Sem (2)
		45°, Pipe			Used on type Nos. 0122,			92278 Nut—Hex. (2)
		Used on type Nos. 0122,			0154, 0174, 0178.			90366 Washer—Lock (2)
		0137, 0178.						Used to mount Starter
304	291407	Housing—Blower						Switch to Panel on type
	<b>Note:</b>	293615 Housing—Blower						Nos. 0171, 0176.
		Used on type Nos. 0122,	338	29806	Gasket—Spark Plug	383	89838	Wrench—Spark Plug
		0154, 0178.	339	291659	Box Assy.—Breaker	386	27314	Gasket—Fuel Pump Mtg.
		294698 Housing—Blower		<b>Note:</b>	293262 Box Assy.—	387	291493	Pump Assembly—Fuel
		Used on type Nos. 0136,			Breaker		<b>Note:</b>	292431 Pump Assy.—Fuel
		0143, 0144.			Used on type Nos. 0122,			Used on type Nos. 0122,
		294746 Housing—Blower			0154, 0174, 0178.			0154.
		Used on type Nos. 0133,			297319 Box Assy.—			293726 Pump Assy.—Fuel
		0151.			Breaker			Used on type No. 0178.
		297453 Housing—Blower						296219 Pump Assy.—Fuel
		Used on type Nos. 0023,						Used on type Nos. 0133,
		0130, 0145, 0161, 0171,						0136.
		0176.				388	220431	Lever—Fuel Pump





# 231401 to 231476

REF. NO.	PART NO.	DESCRIPTION	REF. NO.	PART NO.	DESCRIPTION	REF. NO.	PART NO.	DESCRIPTION
565	93142	Screw-Bracket to Base Mounting			Miniature Bayonet Base 12 Volt)	592	90356	Nut-Hex.-10-24
566	99458	Idling Device Uses: 91146 Screw-Cap, Hex. Hd. - 1/4-20 x 7/8'' For mounting			Used on type Nos. 0171, 0176.	593	*27349	Gasket-Plain or Ball Brg. Sup. -.020'' thick
567	291364	Crank Assy.-Governor	575	299139	Switch-Starter		*27374	Gasket-Plain or Ball Brg. Sup. -.005'' thick
568	291404	Base Assembly-Engine Note: 21895 Base-Engine Used on type Nos. 0122, 0133, 0154, 0178. 294751 Base Assembly-Engine Used on type Nos. 0023, 0130, 0145, 0161, 0171, 0176, 0179.		Note: 298590 Switch-Ignition Uses: 298579 Wire-Ignition Switch to Indicator Lamp 298580 Wire-Ignition Switch to Ground 298693 Wire-Ignition Switch to Breaker Box 221745 Panel-Instrument Uses: 92034 Screw-Cap 90366 Washer-Lock To mount Panel to Generator	Ignition Switch to Indicator Lamp 298580 Wire-Ignition Switch to Ground 298693 Wire-Ignition Switch to Breaker Box 221745 Panel-Instrument	594	91449	Screw-Pulley Mounting Note: 92909 Screw-Pulley Mtg. Used on type Nos. 0133, 0151.
569	*27351	Gasket-Engine Base Note: 27551 Gasket-Engine Base Used on type Nos. 0040, 0168.			Used on type Nos. 0171, 0176.	595	230603	Pulley-Starter Generator (Delco-Remy No. 1945744)
570	291662	Support Assy.-Plain Brg.	576	295160	Wire-Ammeter to Switch	596	93347	Screw-Fuel Pump Head Mounting Sem
571	291672	Support Assy.-Ball Brg.	577	295161	Wire-Ammeter to Regulator	605	297171	Bracket-Guard
572	291871	Guide-Front Air	578	295162	Wire-Starter Switch Note: 298583 Wire-Starter Switch to Generator 298582 Wire-Starter Switch to Ignition Switch and "Bat." Terminal on Regulator Used on type Nos. 0171, 0176.	606	221442	Strap-Adjusting
573	298159	Plate Assembly-Back Note: 293259 Plate Assy.-Back Includes: 92786 Screw-Machine, Rd. Hd. -8-32 x 5/8'' 92794 Nut-Hex. -8-32 92864 Washer-Lock-Shakeproof For Shielding Terminal Lead Used on type No. 0122. 293417 Plate Assy.-Back Used on type Nos. 0123, 0130, 0131.			Used on type Nos. 0171, 0176.	636	92864	Washer-Lock
574	295158	Ammeter (Stewart Warner No. 357-W) Note: 298586 Holder-Charge Indicator Lamp 67245 Lamp-Charge Indicator (#1893 T3-1/4 Bulb,	579	295297	Cleaner Assy.-Air	637	66154	Washer-Back Plate Term. Note: 66364 Washer-Back Plate Terminal Used on type Nos. 0122, 0154, 0174, 0178.
			580	69948	Bowl-Air Cleaner	638	26404	Washer-Back Plate Term. Note: 220282 Washer-Back Plate Terminal Used on type Nos. 0122, 0154, 0174, 0178.
			581	62465	Bowl-Air Cleaner	639	27299	Gasket-Breaker Cover
			582	62466	Clamp-Air Cleaner	640	290930	Lead-Primary Note: 293197 Lead-Primary Used on type Nos. 0122, 0154, 0174, 0178. 297301 Lead-Primary Used on type No. 0134.
			583	210744	Elbow-Air Cleaner	642	221468	Cover-Air Cleaner
			584	91458	Screw-Parker Kalon-No. 7 x 1/2''	643	280001	Cup-Air Cleaner
			585	92363	Screw-Cap, Hex. Hd. - 1/4-20 x 1-3/4''	644	221466	Base-Air Cleaner
			586	22906	Lock-Flywheel Nut	646	221472	Brace-Bracket
			590	92578	Screw-Breaker Box Mounting Sem	647	211170	Link-Anchor
			591	65932	Plug-Camshaft	648	91439	Screw-Cap, Hex. Hd. - 1/4-20 x 3/8''
						649	93546	Screw-Cap, Hex. Hd. - 5/16-18 x 1-1/4''
						650	91814	Screw-Cap, Hex. Hd. - 3/8-16 x 2''
						651	92034	Screw-Cap, Hex. Hd. - 5/16-18 x 1/2''
						652	91162	Screw-Bracket to Bracket

\* Included in Gasket Set--Part No. 291728.

# 231401 to 231476

REF. NO.	PART NO.	DESCRIPTION	REF. NO.	PART NO.	DESCRIPTION	REF. NO.	PART NO.	DESCRIPTION
653	91442	Screw—Pulley Mounting	702	290614	Core—Coil	711	90067	Screw—Machine, Rd. Hd. —8-32 x 5/16"
661	91203	Screw—Cap, Hex. Hd. — 5/16-18 x 1-3/4"		<b>Note:</b> 292319	Core—Coil Used on type Nos. 0122, 0154, 0174, 0178.	712	291658	Shaft Assembly—Breaker
692	26719	Spring—Spark Advance	703	22928	Clip—Armature Spring	713	66078	Bushing—Breaker Plate Pivot
693	291727	Weight—Spark Advance		<b>Note:</b> 220244	Clip—Armature Spring Used on type Nos. 0122, 0154, 0174, 0178.		<b>Note:</b> 66338	Bushing—Breaker Plate Pivot
694	91324	Washer—Guard to Bracket Mounting	704	90923	Screw—Sheet Metal, Rd. Hd., Type "A"—No. 6 x 1/4"			Used on type Nos. 0122, 0154, 0174, 0178.
695	91146	Screw—Cap, Hex Hd. — 1/4-20 x 7/8	705	92581	Nut—Hex. —6-40	714	66048	Plate—Insulator
696	92269	Key—Woodruff	706	22787	Washer—Breaker Plate		<b>Note:</b> 66318	Plate—Insulator Used on type Nos. 0122, 0154, 0174, 0178.
697	93186	Screw—Cap, Socket Hd.	707	90367	Washer—Lock—No. 8 x 5/64 x 1/32"	715	92576	Screw—Machine, Hex. Hd. —8-32 x 3/16"
698	295128	Clamp Assembly—Rotor		<b>Note:</b> 92791	Washer—Lock—Shakeproof Used to mount Condenser on type Nos. 0122, 0154, 0174, 0178.	716	66068	Washer—Breaker Plate Insulating
699	291363	Rotor Assembly	708	291106	Seal—Oil		<b>Note:</b> 66328	Washer—Breaker Plate Insulating Used on type Nos. 0122, 0154, 0174, 0178.
700	290880	Coil—Magneto	709	23829	Eccentric	717	291697	Crank—Starting
	<b>Note:</b> 293013	Coil—Magneto Used on type Nos. 0122, 0154, 0174, 0178, 0185.	710	21802	Bushing—Oil Seal Clamp	718	23850	Pin—Flywheel
	<b>Note:</b> 293431	Coil—Magneto Used on type Nos. 0123, 0130, 0131.						
701	22859	Retainer—Coil						
	<b>Note:</b> 220245	Retainer—Coil Used on type Nos. 0122, 0154, 0174, 0178.						